

Service Manual

Washing Machine

Model:

DWD-M801X/M802X/M803X

DWD-M101X/M102X/M103X

DWD-M121X/M122X/M123X

? Caution

: In this Manual, some parts can be changed for improving, their performance without notice in the parts list. So, if you need the latest parts information, please refer to PPL(Parts Price List) in Service Information Center (<http://svc.dwe.co.kr>).

DAEWOO ELECTRONICS CORP.

<http://svc.dwe.co.kr>

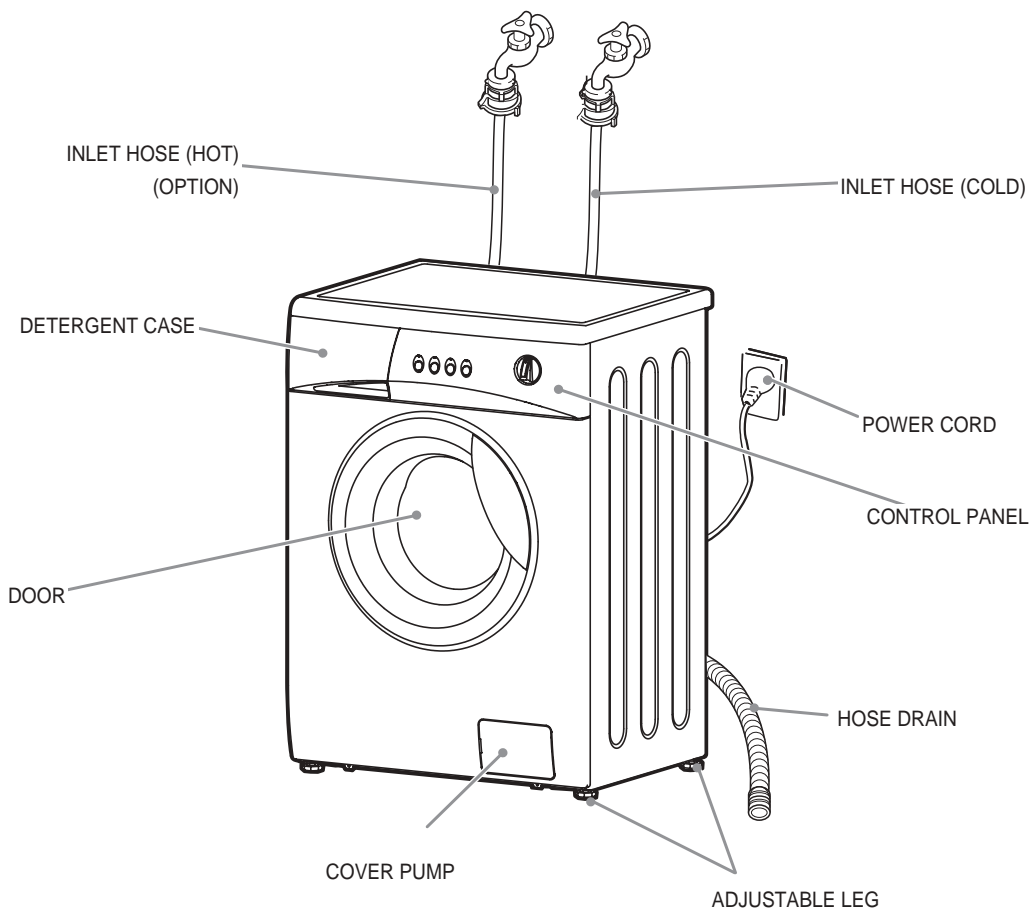
Jan. 2010

Contents

1. SPECIFICATIONS	2
2. INSTALLATION	5
Removing transit bolts	5
Installation place requirement.....	5
Location of washer.....	5
BS Plug Safety Details (For U.K. User).....	6
Connecting inlet hose	6
Installation of drain hose.....	7
Level adjustment.....	7
3. MAINTENANCE	8
Cleaning your washer	8
Cold condition or Winter storage	7
Cleaning the water inlet filter.	9
Cleaning the drain filter.....	9
Cleaning the detergent case.....	10
Cleaning the washing drum.	10
4. DIRECTION FOR DISASSEMBLY	11
5. EXPLODE VIEW AND PARTS LIST	14
6. FUNCTIONS OF THE CONTROL PANEL	22
7. FUNCTIONS OF THE CONTROLLER	25
8. FUNCTION OF THE CONVENIENT SERVICE	28
9. TROUBLESHOOTING GUIDE	29
10. WIRING DIAGRAM	32

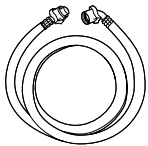

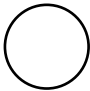
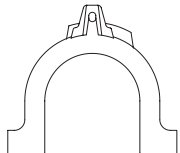
1. SPECIFICATIONS

■ DWD-M801X/101X/121X SERIES

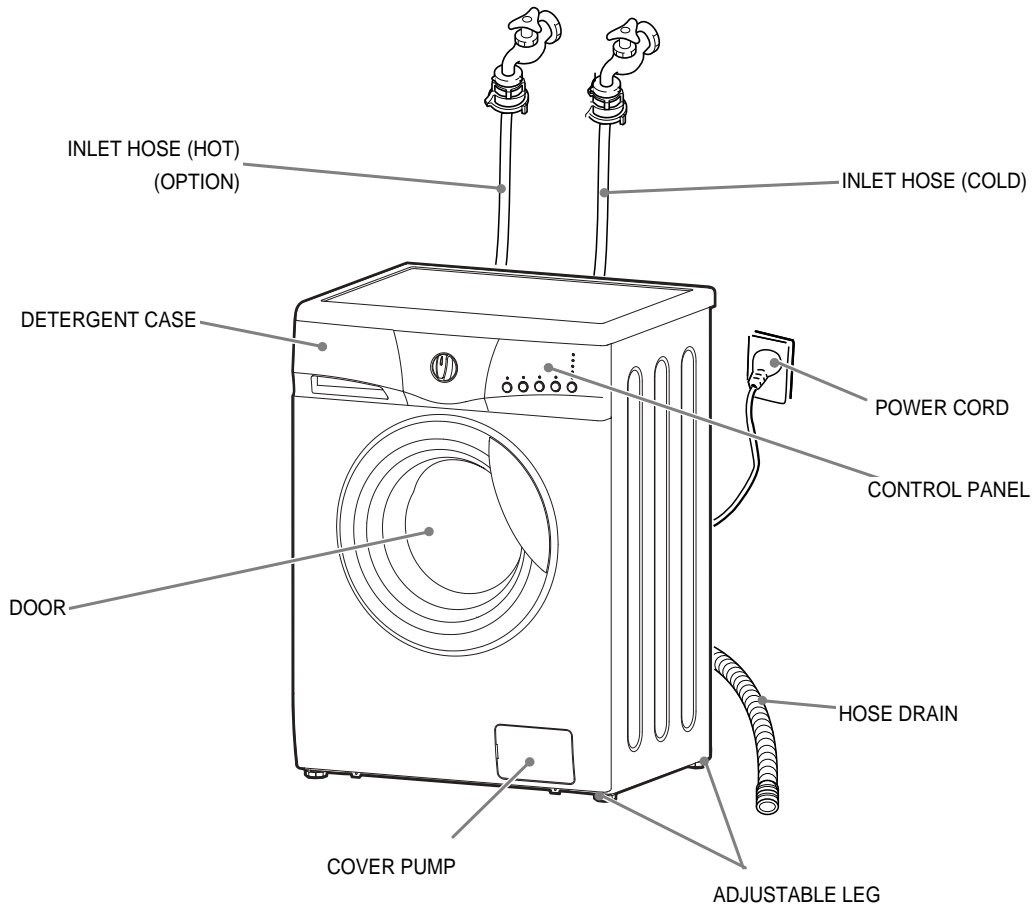


MODEL		DWD-M801X/101X/121X SERIES
POWER SOURCE		220~240V / 50, 60Hz
DIMENSION (WXDXH)		595mm x 440mm x 850mm
WEIGHT		43 Kg
WATER CONSUMPTION		42 ℓ
POWER CONSUMPTION		2000 W
MAXIMUM MASS OF TEXTILE	WASH	5.5 / 6 Kg
	SPIN	5.5 / 6 Kg
WASHER TYPE		DRUM TYPE (FRONT LOADING WASHING MACHINE)
OPERATING WATER PRESSURE		0.3~8kgf/cm ² (29.4~784KPa)

■ Accessories

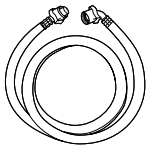

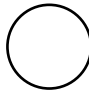
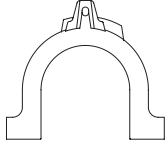
Inlet hose (Cold: 1EA, Hot: 1EA)	Manual	Sticker holder (3EA)	Guide Hose Drain (Option)
			

■ DWD-M802X/102X/122X SERIES

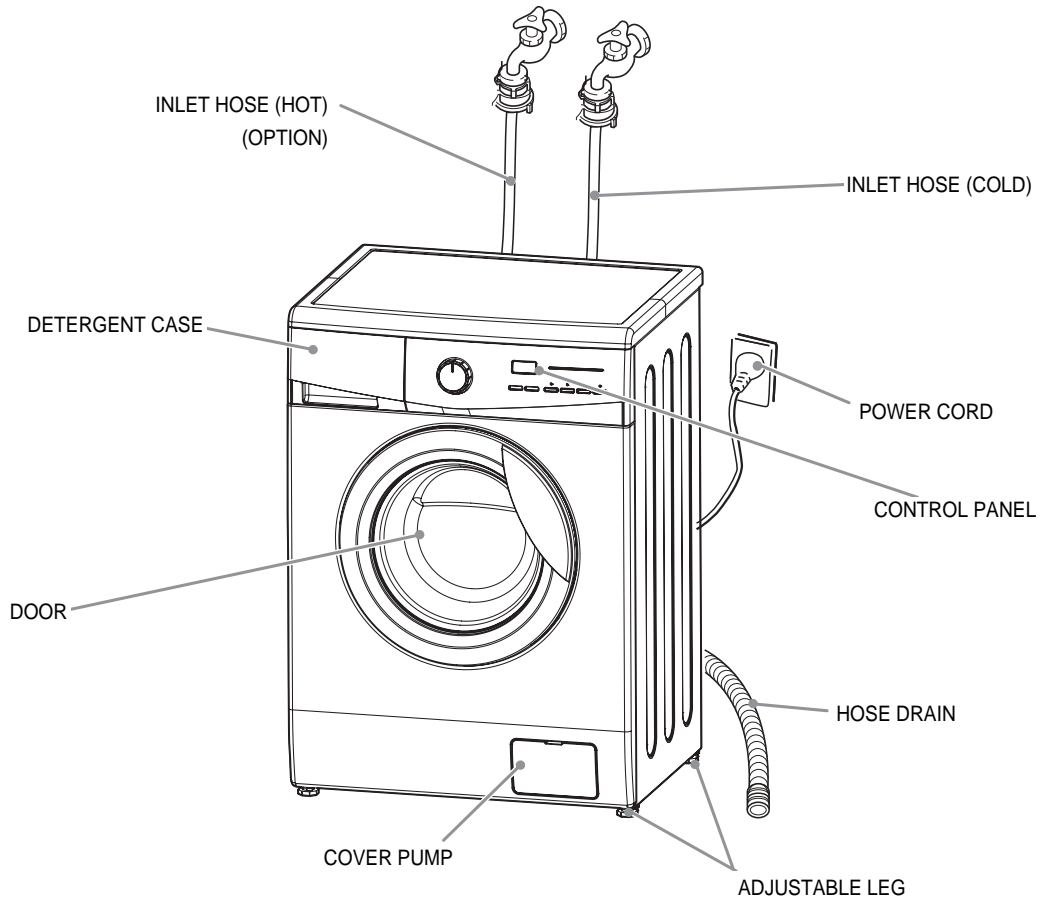


MODEL		DWD-M802X/102X/122X SERIES
POWER SOURCE		220~240V / 50, 60Hz
DIMENSION (WXDXH)		595mm x 440mm x 850mm
WEIGHT		43 Kg
WATER CONSUMPTION		42 ℓ
POWER CONSUMPTION		2000 W
MAXIMUM MASS OF TEXTILE	WASH	5.5 / 6 Kg
	SPIN	5.5 / 6 Kg
WASHER TYPE		DRUM TYPE (FRONT LOADING WASHING MACHINE)
OPERATING WATER PRESSURE		0.3~8kgf/cm ² (29.4~784KPa)

■ Accessories

Inlet hose (Cold: 1EA, Hot: 1EA)	Manual	Sticker holder (3EA)	Guide Hose Drain (Option)
			

■ D-MU803'S, D-MU103'S, D-MU123'S



MODEL		D-MU803'S, D-MU103'S, D-MU123'S
POWER SOURCE		220~240V / 50, 60Hz
DIMENSION (WXDXH)		595mm x 440mm x 850mm
WEIGHT		54 Kg
WATER CONSUMPTION		42 ℓ
POWER CONSUMPTION		2000 W
MAXIMUM MASS OF TEXTILE	WASH	5.5 / 6 Kg
	SPIN	5.5 / 6 Kg
WASHER TYPE		DRUM TYPE (FRONT LOADING WASHING MACHINE)
OPERATING WATER PRESSURE		0.3~8kgf/cm ² (29.4~784KPa)

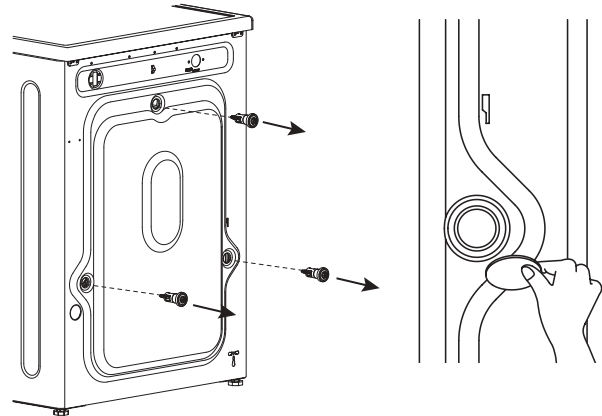
■ Accessories

Inlet hose (Cold: 1EA, Hot: 1EA)	Manual	Sticker holder (3EA)	Guide Hose Drain (Option)

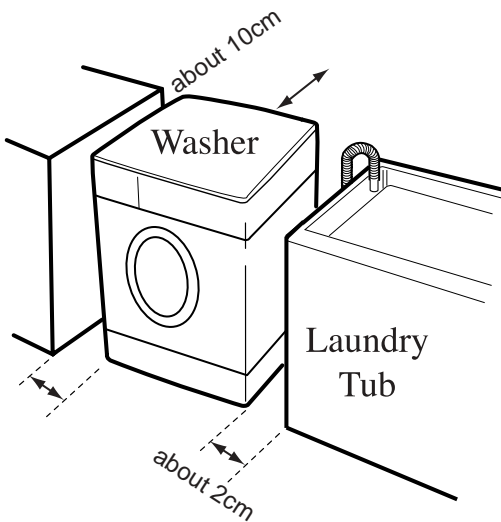
2. INSTALLATION

■ Removing transit bolts

1. Before operating the washer, remove the transit bolts(3ea) along with the rubber.
 - If the bolts are not removed, it may cause heavy vibration, noise and malfunction.
2. Unscrew the 3 bolts with the 10mm hex wrench or spanner or cross-tip screwdriver. Keep the 3 bolts for a later time.
 - When the appliance is transported, transit bolts will be re-used.
3. Close the holes with sticker holders supplied.



■ Installation place requirement



- Level floor :
Allowable slope between the washer and floor is 1°.
- Electric outlet :
Must be with 1meter of either side of the washer.
Do not overload the outlet with more than one appliance.
- Additional clearance
Clearance between the washer and the wall is required.
(rear : about 10cm, left & right : about 2cm)
In case of built-in installation, the clearance between the top of the washer and the under of the work-top is required.
(top : about 2cm)

■ Location of washer

Make sure that you have to do everything necessary for correct installation.

Install the washer on a solid and flat floor, if possible, in a corner of the room and the easily accessible place for an engineer.

- Before placing the washer, if installed on tiles, apply a rubber mat under the adjustable leg.
- The washer must not be installed or stored in rooms below 0°C to avoid any damage from freezing.
- Do not insert pieces of wood, cardboard or similar materials under the adjustable leg to correct any unevenness.
- Do not place laundry products on top of the washer at all times.
- An air circulation around the washer must not be obstructed by carpets, rug etc.

■ BS Plug Safety Details (For U.K. User)

IMPORTANT

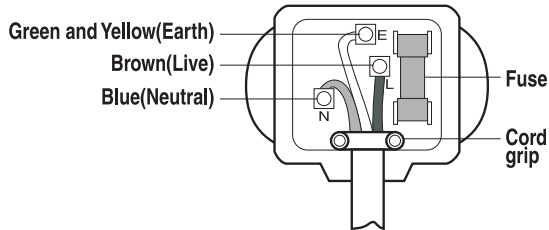
THE WIRES IN THIS MAINS LEAD ARE COLOURED IN ACCORDANCE WITH THE FOLLOWING CODE:

GREEN AND YELLOW : EARTH

BLUE : NEUTRAL

BROWN : LIVE

This appliance must be earthed



As the colours of the wires in the mains lead of this apparatus may not correspond with the coloured markings identifying the terminals in your plug, proceed as follows:

The wire which is coloured Green and Yellow must be connected to the terminal in the plug which is marked with the letter E or by the earth symbol \oplus or coloured Green or Green and Yellow.

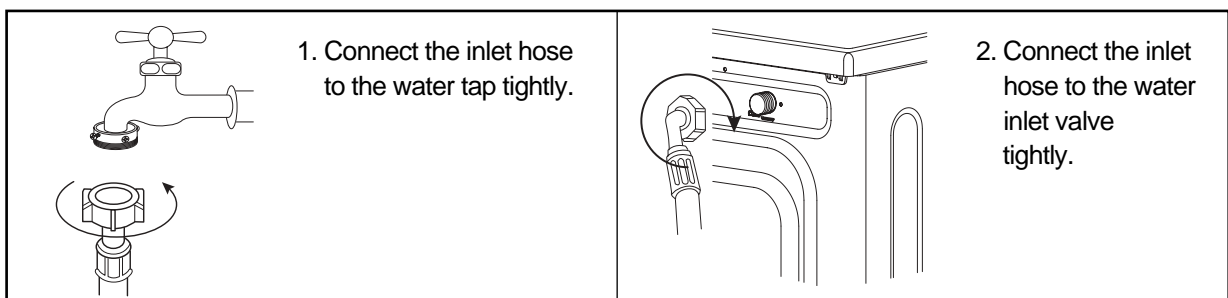
The wire which is coloured Blue must be connected to the terminal which is marked with the letter N or coloured Black.

The wire which is coloured Brown must be connected to the terminal which is marked with the letter L or coloured Red.

If a 13 amp (BS 1363) plug is used, fit a 13amp BS 1362 fuse.

■ Connecting inlet hose

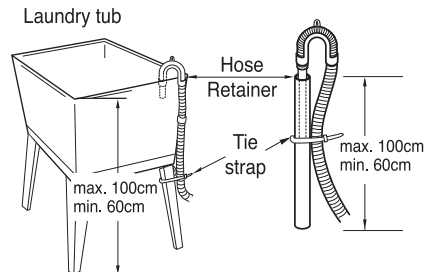
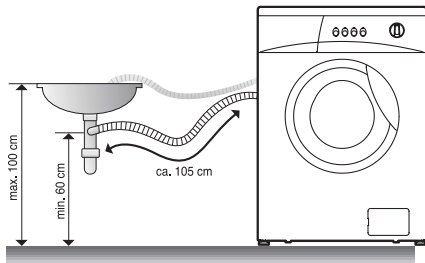
- The washer should be connected to the water mains using new hose set and old hose sets should not be reused.
- In case of only one water inlet valve, connect the inlet hose to the cold water tap.



- Periodically check the tightness of the inlet hose.
- Make sure that the inlet hose is not kinked or folded and that it is not crushed.

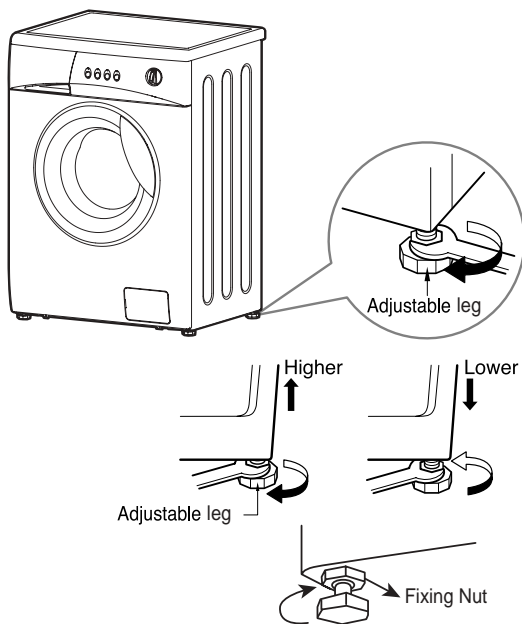
■ Installation of drain hose

- Never forget to install drain hose before operating your washer.
- Open the packing box, and the drain hose is tied at backside of washer.
- If you use the laundry tub, Top of laundry tub must be at least 60cm high and no higher than 100cm from bottom of washer.

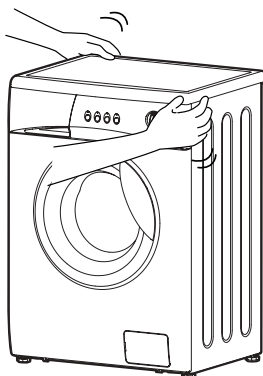


- When installing the drain hose to tub(sink), secure it tightly with a string.
- Proper securing of the drain hose will protect the floor from damage due to water leakage.
- When the drain hose is too long, do not force it back into the washer.
This will cause abnormal noise.

■ Level adjustment



- The level adjustment of the washing machine prevents excessive noise and vibration.
- If the floor is uneven, adjust the adjustable leg as the following. (Do not insert pieces of wood etc. under legs.)
- Please check whether there is any gap between four adjustable legs and the floor.
- Turn adjustable legs by the spanner in order to adjust the level of the washing machine.
- Make it sure that there is no swaying of the washing machine and check that the washing machine is even completely. (use a spirit level or the diagonal check.)
- After the level adjustment is finished, turn fixing nuts up tightly so that the washing machine maintains the adjustment.



✳ Diagonal Check

When pushing down the edges of the washing machine top plate diagonally, the machine should not move up and down at all.

(Please, check both of two directions)


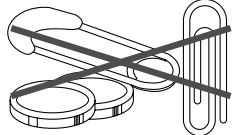
If machine rocks when pushing the machine top plate diagonally, adjust legs again.

3. MAINTENANCE

✱ Before cleaning the washer interior, unplug the electrical power cord to avoid electrical shock hazards.

Proper care of your washer can extend its life. This section explains how to care for your washer properly and safely.

■ Cleaning your washer

Exterior	Interior
<ul style="list-style-type: none"> • Clean with warm water and a neutral non abrasive household detergent. • Immediately wipe off detergent, bleach and other spills with a soft and damp cloth or sponge. • Occasionally wipe off the outside of the washer to keep its looking like new one. 	<ul style="list-style-type: none"> • Clean with 250ml of chlorine bleach mixed with 500ml of the detergent. • Open the door of the washer and dry the gasket and door glass. • Run the washer complete cycle with hot water. • If necessary, repeat the process.
<p>Do not put sharp or metal object in your washer, or they can damage the finish. Check all pockets for pins, clips, money, bolts, nuts, etc. Do not lay these objects in your washer after emptying pockets.</p> 	

■ Cold condition or Winter storage

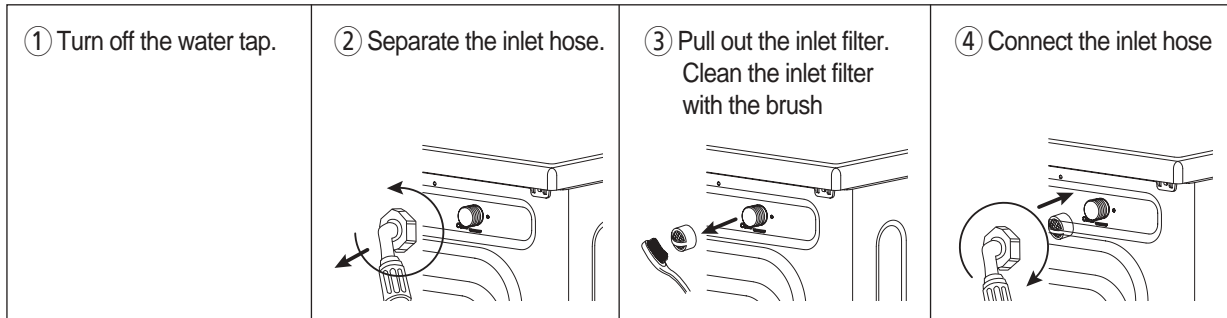
Install and store your washer where it will not freeze. Because some water may stay in the hoses, freezing can damage your washer.

If you store or move your washer during freezing weather, follow these instructions to prevent the damage to the washer.

1. Turn off the water tap.
2. Disconnect inlet hose(s) from water supply and drain the water from hose(s).
3. Plug the power cord and Open the door.
4. Add about 3 ℓ of nontoxic antifreeze into the drum. Close the door.
5. Run the washer on spin or drain cycle to drain out all water.
6. Unplug the power cord and open the door to dry the drum interior. Close the door.
7. Dry excessive water of the detergent case.
8. To remove the remaining antifreeze, run the washer on complete cycle using the detergent and without the laundry.

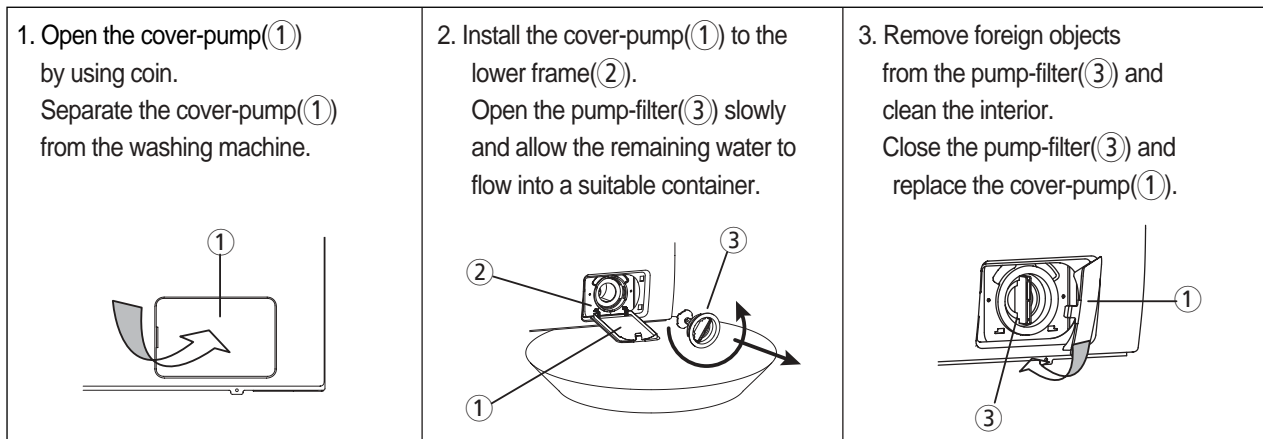
■ Cleaning the water inlet filter.

- "IE" error message (refer to troubleshooting guide) will display when the water does not enter the detergent case.
- If your water is very hard or contains traces of lime deposit, the water inlet filter may become clogged. And the water leaks from the water inlet.
- It is therefore a good idea to clean it from time to time.



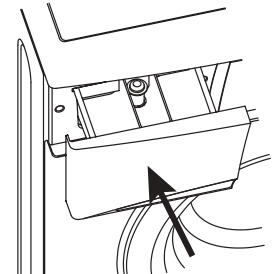
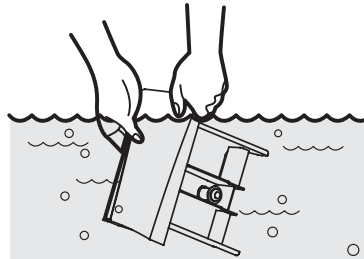
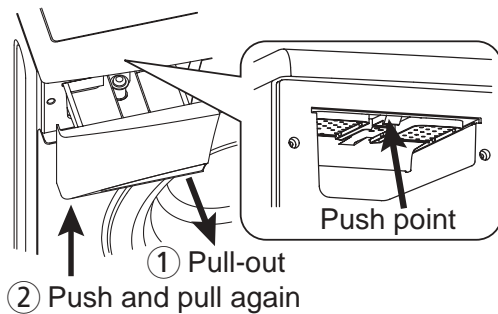
■ Cleaning the drain filter.

- This drain filter is used to screen the foreign stuffs such as threads, coins, pins, buttons etc..
 - If the drain filter is not cleaned at proper time (every 10 times of use), drain problem could be caused.
- CAUTION :** Be careful when draining if the water is hot.

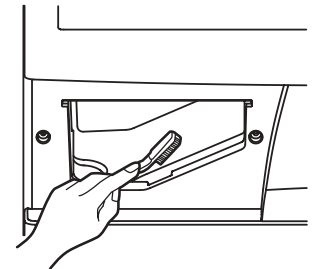


■ Cleaning the detergent case.

- In case of residual detergents or fabric softeners have accumulated ;
 - it should be cleaned with a jet of running water.
 - If necessary, it can be removed completely from the washing machine.



- Detergents can be also accumulate the inside cavity.
In this case, the inside cavity should be cleaned with a brush.
- After cleaning, replace the detergent case and run Rinse cycle without laundry.



■ Cleaning the washing drum.

- If you live in a hard-water area, the limescale may be accumulated in the place where it cannot be seen (So, it is not easily removed.)
- The successive accumulation of the scale clogs the washer.
- Although the washing drum is made of stainless steel, specks of rust can be caused by small metal articles (paper clips, safety pins) which have been left in the drum.
- The washing drum should be cleaned from time to time.
- If you use descaling chemical agents (dyes, bleaches and etc.), make sure they are suitable for washer. (They may contain chemicals that damages your washer.)
- * Remove any spots with a stainless steel cleaning agents. (Do not use steel wool.)

4. DIRECTION FOR DISASSEMBLY

DOOR LOCK SWITCH

① Open the door and remove the clamp door as.



② Separate the gasket from the cabinet front and remove two screws.



③ Remove the door lock switch from the cabinet front .



DRAIN PUMP

① Separate the cover pump from the cabinet front and remove screw.



② Lay the right-side of the washer on the floor. And separate connectors and hose drain from the pump.



③ Remove the hose drain o from the pump.



HEATER AND THERMISTOR

- ① Separate the plate t as from the washer.
(Remove two screws at rear)



- ② Separate the case detergent as and remove two screws from panel f.



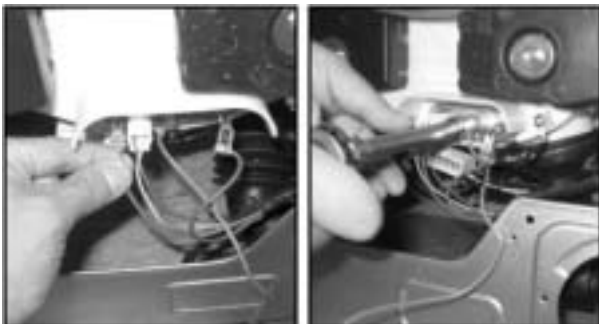
- ③ Separate the panel f as from the washer.



- ④ Separate the cabinet front from the washer.
(Remove the clamp door as and 4 screws)



- ⑤ Separate connectors from the heater and remove the nut by using a box wrench.



- ⑥ Remove the earth terminal and loosen the nut by using a box wrench



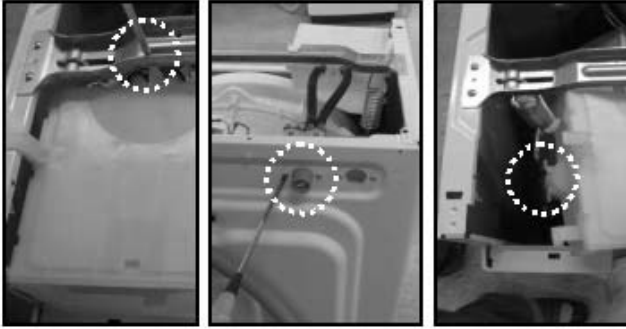
- ⑦ Pull out the heater from the tub.



UNIVERSAL MOTOR

Firstly, you have to do from ① to ⑤ of HEATER AND THERMISTOR DISASSEMBLY.

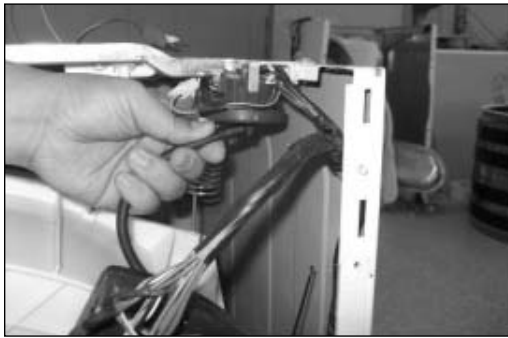
- ① Separate the box inlet as from the washer.
(remove screws and hose inlet)



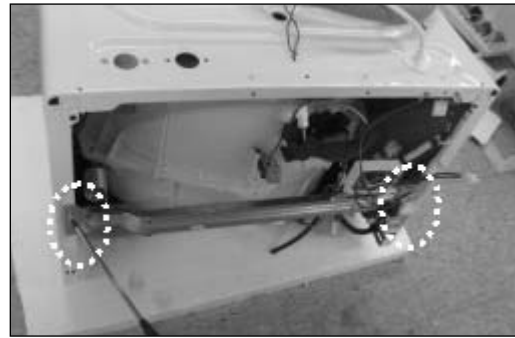
- ② Remove the screw of the motor connector.
And separate the connector from the tub.



- ③ Separate the hose air from the sensor pressure.



- ④ Lay the front-side of washer on the floor.
And remove four screws.



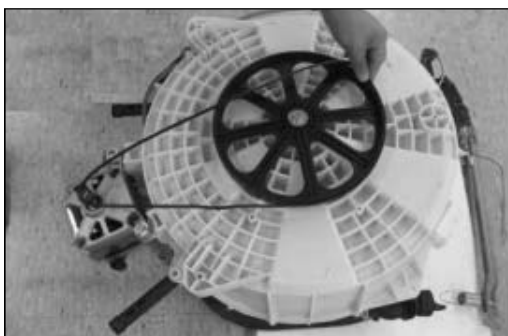
- ⑤ Separate two dampers and the hose drain.



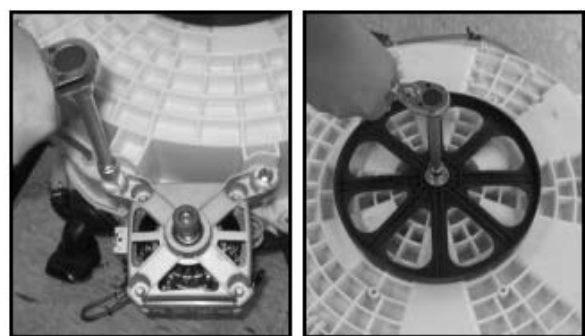
- ⑥ Lift up the cabinet as.



- ⑦ Separate the belt.

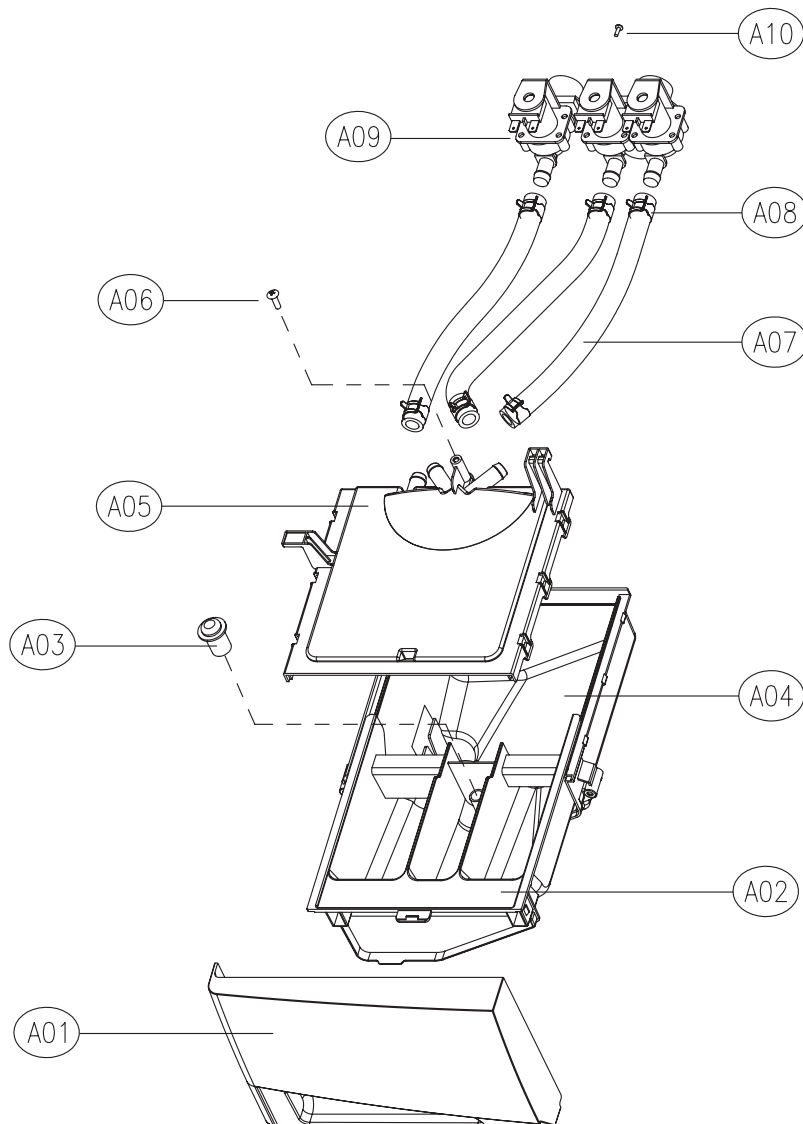


- ⑧ Remove two screws from the motor and remove the screw from the drum using a box wrench.



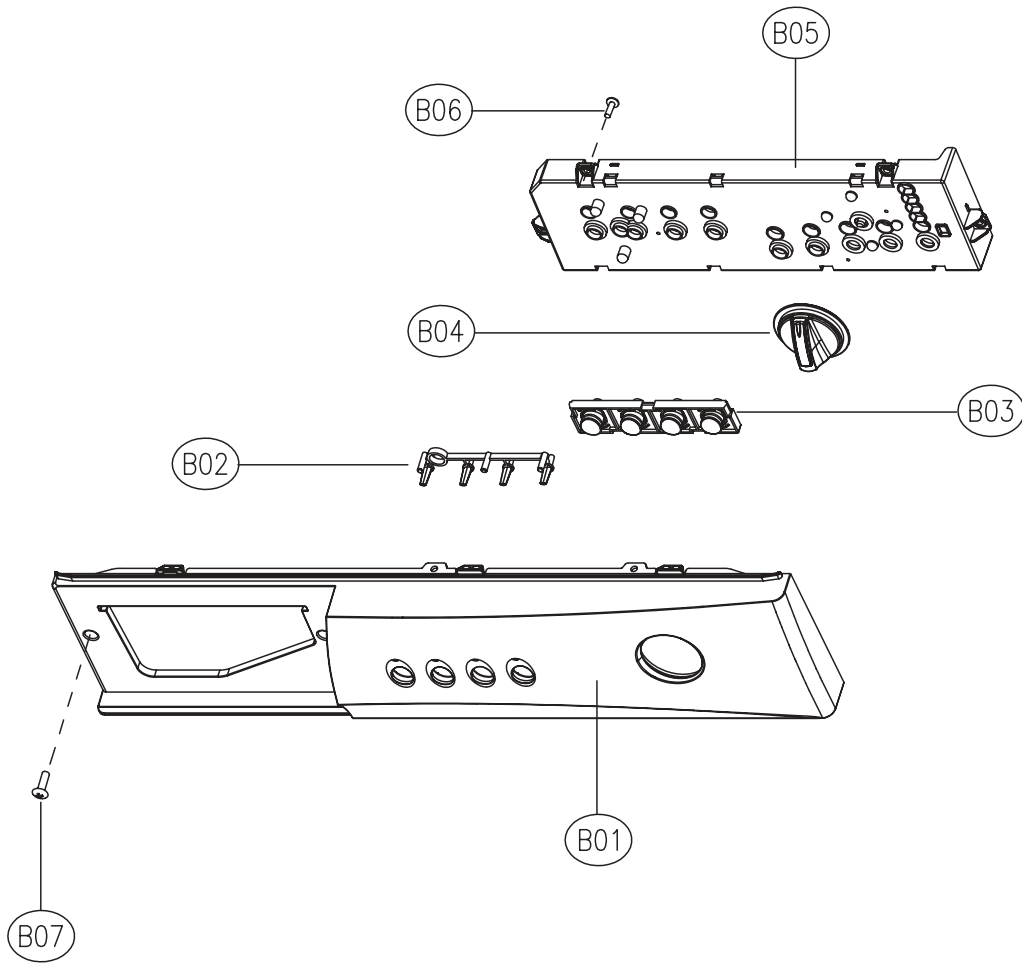
5. EXPLODE VIEW AND PARTS LIST

■ BOX INLET AS



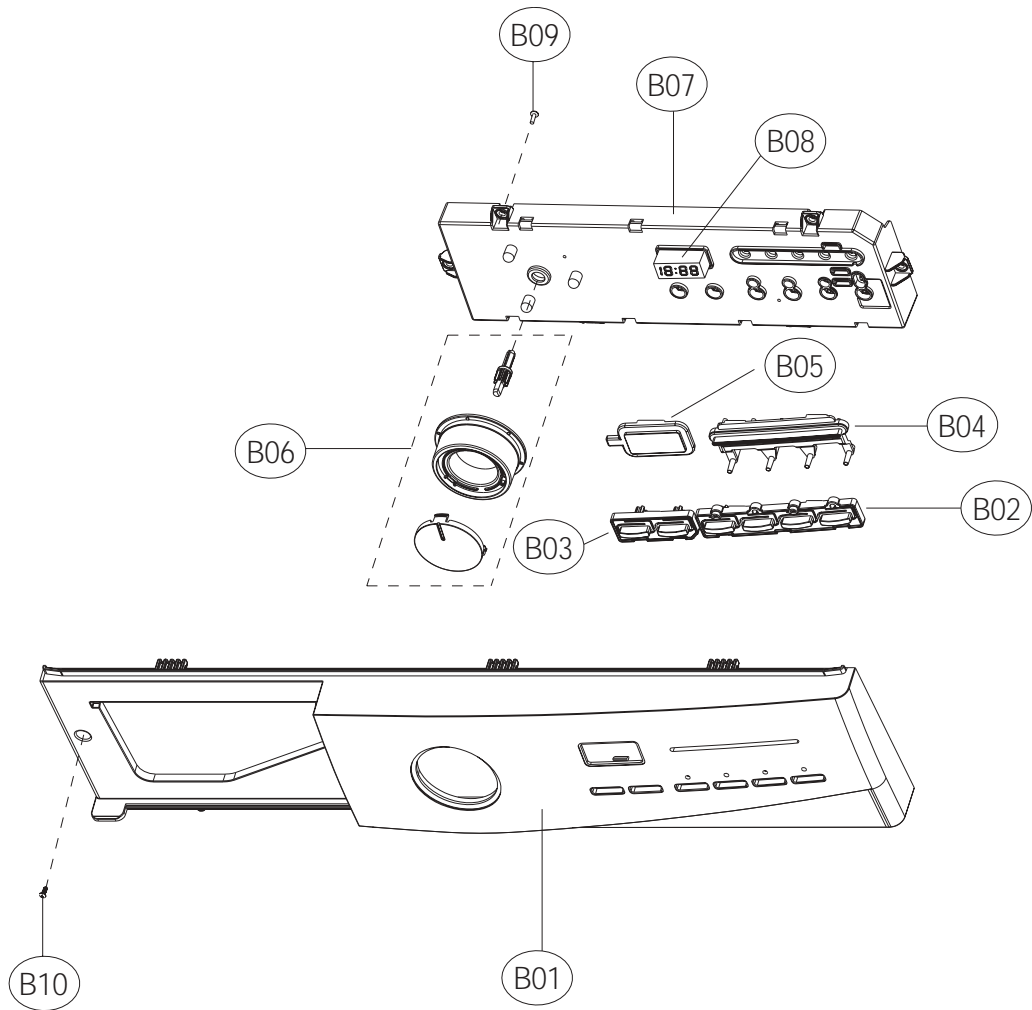
No.	PART NAME	PART CODE	SPECIFICATION	Q'TY	REMARK
A01	HANDLE CASE	36111TE00	HIPS	1	D-MU1031
A02	CASE DETERGENT	3611145800	PP	1	
A03	CAP SOFTENER	3610907800	PP	1	
A04	BOX INLET	3610527500	PP	1	
A05	NOZZLE AS	3618105700	NOZZLE TOP + NOZZLE UNDER	1	COLD ONLY
		3618105710			COLD+HOT
A06	SCREW TAPPING	7122401411	T2S TRS 4X14 MFZN	1	
A07	HOSE WATER SUPPLY	3613270900	EPDM ID=9.5 OD=14.5 L=215	2(1)	COLD(HOT)
A08	CLAMP HOSE	3611205800	ID=13.8 W=10.0 0.9T	4(2)	COLD(HOT)
A09	VALVE INLET	3615414910	220-240V 2-WAY NYLON/BRACKET VDE	1	COLD
		3615414800	220-240V 1-WAY HOT PP-BRACKET	1	HOT
		3615416821	220-240V.VDE.BITRON.2WAY	1	EUROPE
A10	SCREW TAPTITE	7272400811	TT3 TRS 4X8 MFZN	2	

■ PANEL FRONT AS (DWD-M801X/101X/121X SERIES)



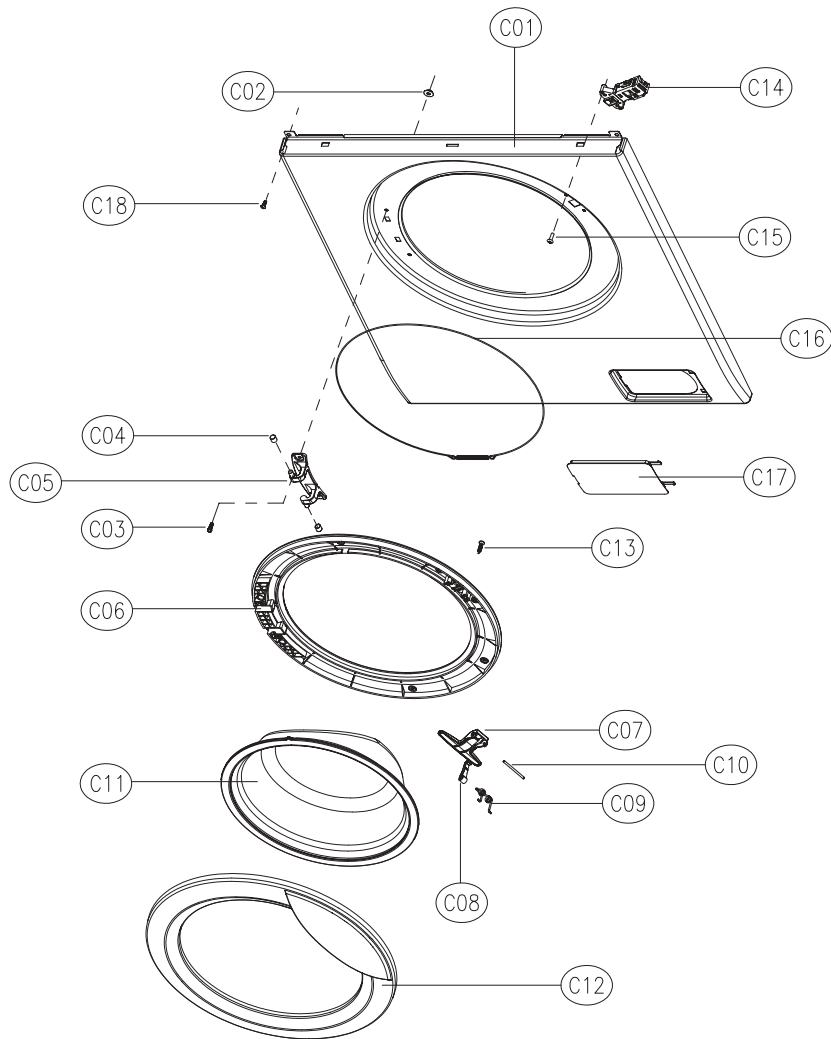
No.	PART NAME	PART CODE	SPECIFICATION	Q'TY	REMARK
B01	PANEL F	3614287400	HIPS	1	DWD-M801X's
		3614287500			DWD-M802X's
B02	WINDOW LED	3615505200	ABS TRANSPARENT	1	DWD-M801X's
		3615505300			DWD-M802X's
B03	BUTTON SELECT	3616636400	ABS	1	DWD-M801X's
		3616636500			DWD-M802X's
B04	KNOB DIAL AS	3613406300	KNOB+DECO+SHAFT	1	DWD-M801X's
		3613406200			DWD-M802X's
B05	PCB AS	PRPSSWC000	OPTION(COLD+HOT, BB) CASE PCB(HIPS)	1	
		PRPSSWC001	OPTION(COLD, NB) CASE PCB(HIPS)		DWD-M801X's
		PRPSSWC002	OPTION(COLD, BB) CASE PCB(HIPS)		
		PRPSSWC003	OPTION(COLD+HOT, NB) CASE PCB(HIPS)		
		PRPSSWC010	OPTION(COLD+HOT, BB) CASE PCB(HIPS)		
		PRPSSWC011	OPTION(COLD, NB) CASE PCB(HIPS)		DWD-M802X's
		PRPSSWC012	OPTION(COLD, BB) CASE PCB(HIPS)		
		PRPSSWC013	OPTION(COLD+HOT, NB) CASE PCB(HIPS)		
B06	SCREW TAPPING	7122401611	T2S TRS 4X16 MFZN	6	
B07	SCREW TAPPING	7122401608	T2S TRS 4X16 SUS 430	2	

■ PANEL FRONT AS (DWD-M803X/103X/123X SERIES)



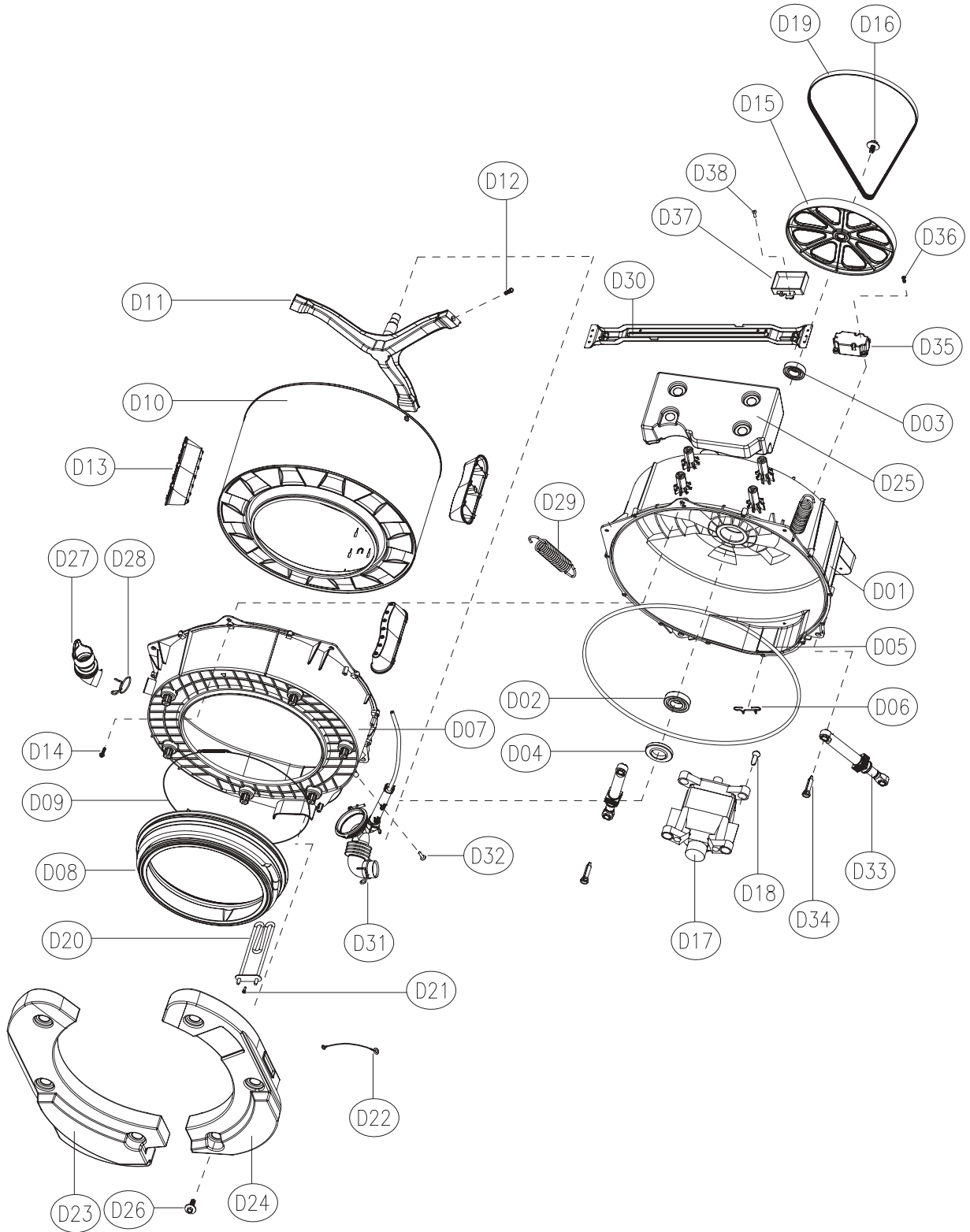
No.	PART NAME	PART CODE	SPECIFICATION	Q'TY	REMARK
B01	PANEL F	36142T1D00	HIPS	1	D-MU1031
B02	BUTTON SELECT	3616640100	HIPS	1	D-MU1031
B03	BUTTON RES	3616640000	HIPS	1	D-MU1031
B04	WINDOW LED	3615507800	ABS	1	D-MU1031
B05	WINDOW DISPLAY	3615507900	ABS	1	D-MU1031
B06	KNOB DIAL AS	3613408000	KNOB OUT,IN+DECO+SHAFT	1	D-MU1031
B07	PCB AS	PRPSSWC020	PCB DEFAULT AS	1	D-MU1031
		PRPSSWC021	PCB OPTION AS (COLD&NB)		
		PRPSSWC022	PCB OPTION AS (COLD&BB)		
		PRPSSWC023	PCB OPTION AS (DBL&NB)		
		PRPAFRQ100	PCB OPTION AS (COLD&BB)	1	D-MU8031's
		PRPAFRQ150	PCB OPTION AS (COLD&BB) ,VDE	1	D-MU8031's
B08	LED 18:88	3616056400	LED 18:88	1	D-MU1031
B09	SCREW TAPPING	7122401611	T2S TRS 4x16 MFZN	6	D-MU1031
B10	SCREW TAPPING	7122401608	T2S TRS 4x16 SUS 430	2	D-MU1031

■ CABINET FRONT AS



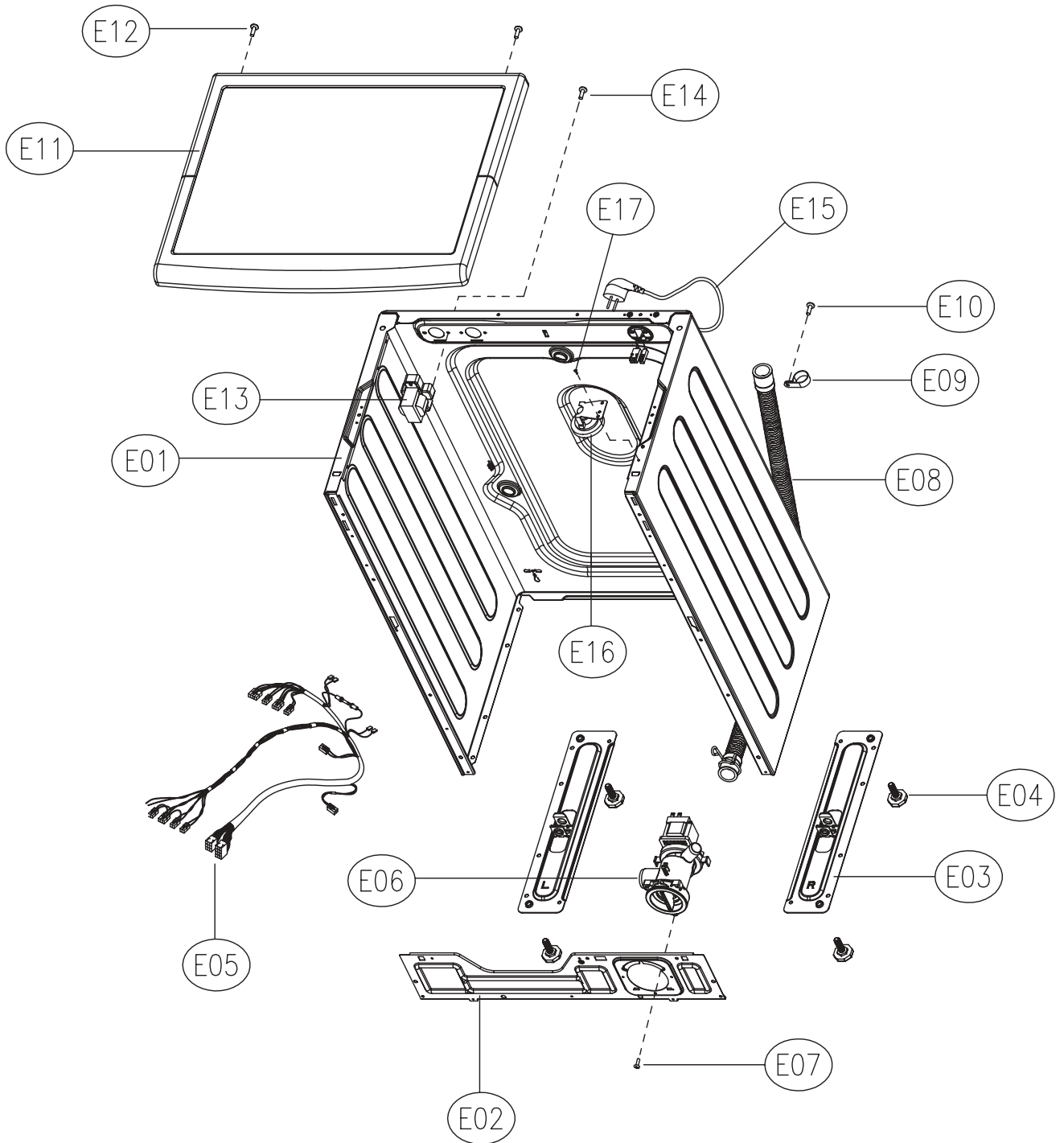
No.	PART NAME	PART CODE	SPECIFICATION	Q'TY	REMARK
C01	CABINET F AS	3610812810	PAINTING T=0.7	1	
		3618829901	TUB REAR(FRPP) + BEARING HOUSING(ALDC)	1	FRPP D-MU103's change core
C02	NUT HEX	7S627W50X1	NUT FLANGE M5X0.8P MFZN	2	
C03	SCREW TAPPING	3616051229	STS430 F/L BOLT(SE) 5*12	2	
C04	CAP HINGE DOOR	3610916500	POM	2	
C05	HINGE DOOR	3612903700	ALDC	1	
C06	FRAME DOOR I	3612208700	PP	1	
C07	HANDLE DOOR	3612610800	ABS	1	
C08	HOOK DOOR	3613101200	POM	1	
		3613101210	ZNDC	1	
C09	SPRING HOOK	3615114600	SUS D1.4	1	
C10	PIN HANDLE	3618200200	SUS304, D3, L48	1	
C11	DOOR GLASS	361A110700	GLASS PI300	1	
C12	FRAME DOOR O	3612208600	HIPS	1	
		3612208602	ABS	1	
C13	SCREW TAPPING	7115401629	T1 FLT 4X16 SUS	7	
C14	SWITCH DOOR LOCK	3619047100	DL-LC.BITRON_3P.250V16A.BI-METAL	1	
C15	SCREW TAPPING	7122401208	T2S TRS 4X12 SUS	2	
C16	CLAMP DOOR AS	3611204810	HSW3, D1.4	1	
C17	COVER PUMP	3611428500	HIPS	1	
C18	SCREW TAPPING	3616029950	TTS"S" HEX F/L 4*8	4	

■ TUB AS



No.	PART NAME	PART CODE	SPECIFICATION	Q'TY	REMARK
D01	TUB REAR AS	3618829900	TUB REAR(FRPP) + BEARING HOUSING(ALDC)	1	FRPP D-MU103's change core
		3618829901	TUB REAR(FRPP) + BEARING HOUSING(ALDC)	1	
D02	BEARING INNER	3616304700	6205ZZ SHENS	1	
D03	BEARING OUTER	3616304800	6204ZZ SHENS	1	
D04	WATER SEAL	361A600300	NBR	1	
D05	GASKET TUB	3612324100	PI=4.5, L=1650, EPDM	1	
D06	FIXTURE HEATER	3612009400	SUS, PI=2	1	
D07	TUB FRONT	3618829600	FRPP	1	
D08	GASKET	3612323500	EPDM	1	
D09	CLAMP GASKET AS	3611204520	HSW3	1	
D10	DRUM SUB AS	3617010400	SUS T=0.4	1	
D11	SPIDER AS	361A301000	SPIDER(ALDC-8) + SHAFT(SM45C)	1	
D12	SPECIAL BOLT	3616063000	STS430 M6*21 SI-LOCK	3	
D13	LIFTER WASH	361A401110	NANO	3	
D14	SPECIAL SCREW(TUB)	3616062700	SWRCH18A 5.6*30	12	
		3618433210	PA6+GF30%, SERRATION	1	
		3618433201	(ALDC12)		
D16	SPECIAL BOLT AS(PULLEY)	3616063100	SWRCH10A M8*22 PW SI-LOCK	1	
D17	UNIT MOTOR UNIVERSAL	36189L5H00	SOYEA 2POLES 38T	1	
		36189L5H10	G&J MU10 NEW-CORE 220V 2POLES 38T CL.B,AL	1	
D18	SPECIAL SCREW(MOTOR)	3616062800	SWRCH18A 7.4*25.5	2	
D19	BELT V	3616591300	GATES 3PJ1134 BUTADIENE RUBBER	1	
D20	HEATER WASH	3612802450	VDE 220V 1.8KW IRCA & HEADWAY(TERMINAL)	1	
		3612802460	VDE 230V 1.8KW IRCA & HEADWAY(TERMINAL)	1	
		3612802470	VDE 240V 1.8KW IRCA & HEADWAY(TERMINAL)	1	
D21	THERMISTOR WASH	361AAAAB10	R25=1.704K Ω , R80=11.981K Ω	1	
D22	HARNESS EARTH	3612794450	L=180	1	
D23	BALANCER WEIGHT L	3616109600	PP, INSERT 6.5KG	1	
D24	BALANCER WEIGHT R	3616109500	PP, INSERT 5KG	1	
D25	BALANCER WEIGHT TOP	3616108900	PP, INSERT 6.5KG	1	
		3616109400	PP, INSERT 6.5KG	1	
D26	SPECIAL SCREW(BALANCER)	3616062900	SWRCH18A 8*31 PW	6	
D27	HOSE INLET	3613271600	EPDM	1	
D28	CLAMP HOSE I	3611201400	HSW3, D=2.6, MFZN D=38	1	
		3611201401	HSW3, YW, D=2.6, ID=36, W=44.5	1	
D29	SPRING SUSPENSION	3615116100	K=0.39, L=125	2	
D30	FRAME TOP	3612208500	SGCC T=1.2		
D31	HOSE DRAIN AS	3613272300	HOSE DRAIN(EPDM) + AIR TRAP(PP) + HOSE AIR(ID=4.0, OD=8, L=560, EPDM) + CLAMP AS(ID=81, CIMA) + CLAMP HOSE(D=26) + CLAMP HOSE I(D=38)	1	
D32	SCREW TAPPING	7122401411	T2S TRS 4X14 MFZN	1	
		7122401408	T2S TRS 4X14 SUS,STS	1	
D33	DAMPER FRICTION	361A700110	70N AKS	2	
		361A700140	70N CIMA		
D34	DAMPER PIN	361A700200	AKS D=14.5	2	
D35	UNIT BUBBLE PUMP AS	36189L4140	220-240V RP CHUSHION=760	1	
		36189L4160	220-240V DBK-240DF RP CUSHION L=510	1	
D36	SPECIAL SCREW(BUBBLE)	3616007400	T2S TRS 4X10+24	2	
D37	EMI FILTER(K27)	3611908740	0.22UF	1	
D38	SCREW TAPPING	7122401411	T2S TRS 4X14 MFZN	1	

■ CABINET AS



No.	PART NAME	PART CODE	SPECIFICATION	Q'TY	REMARK	
E01	CABINET	3610812700	SGCC(GI) T=0.7 PCM	1		
		3610812710	SGCC(GI) T=0.7 PAINTING			
E02	FRAME LOWER	3612208400	SGCC T=0.8	1		
E03	BASE U L	3610393100	SGCC T=1.4	1		
		3610393400	SGCC T=1.6	1		
	BASE U R	3610393110	SGCC T=1.4	1		
		3610393500	SGCC T=1.6	1		
E04	LEG ADJUST AS	3617703800	FOOT(BUTYL)+SPECIAL NUT(SCP1) +SPECIAL BOLT(10x1.25, 51MM)	4		
		3617703811	CHINA, FOOT+SPECIAL NUT(M10x1, 25P)			
		3612797500	COLD+HOT, BB			
		3612797510	COLD+HOT, NON-BB			
E05	HARNESS AS	3612797520	COLD, NON-BB, NON-REACTOR	1		
		3612797530	COLD, BB, NON-REACTOR			
		3612797540	COLD, NON-BB, REACTOR			
		3612797550	COLD, BB, REACTOR			
		3612797560	C&H,BUBBLE,REACTOR			D-MU80/10's (KOR)
		3612797570	C&H,NON-BUBBLE,REACTOR			D-MU80/10's (KOR)
		3612799E00	W,P,C,B,R,F			D-MU12's
		3612799E10	W,P,H,B,R,F			D-MU12's
		3612799E20	W,P,H,NB,R,F			D-MU12's
		3612799E30	W,P,H,B,NR,F			D-MU12's
		3612799E40	W,P,H,NB,NR,F			D-MU12's
		3612799E50	W,P,C,NB,NR,F			D-MU12's
		3612799E60	W,P,C,B,NR,F			D-MU12's
		3612799E70	W,P,C,NB,R,F			D-MU12's
E06	UNIT DRAIN PUMP AS	36189L5K10	220-240V, 50Hz, 30W, AL, NO-HOLE	1		
		36189L5J10	220V/60Hz, B20-5, 35W, AL, NO-HOLE	1		
E07	SCREW TAPPING	7112401211	T1 TRS 4*12 MFZN	1		
E08	HOSE DRAIN O AS	3613268520	L=1800, STRAIGHT TYPE, CLAMP PI=27	1		
E09	CLAMP HOSE	3611206400	NYLON, DA-18N	1		
		3611206410	NYLON, DA-16N	1		
E10	SCREW TAPPING	7122401411	T2S TRS 4X14 MFZN	1		
E11	PLATE T AS	3614540300	HIPS+MFC(400x577x9.3T)+STAPLE(8x10)	1		
E12	SCREW TAPPING	7122401411	T2S TRS 4X14 MFZN	2		
E13	REACTOR AS	3615800100	REACTOR(RT-046B)+BRACKET REACTOR(PP) +SCREW TAPPING(T2S TRS 4x14 MFZN)	1		
E14	SCREW TAPPING	7122401411	T2S TRS 4x14 MFZN	2		
E15	CORD POWER AS	3611339630	EU-2PIN H05VV-F 1.0SQ 250V 16A 1.4M	1		
		3611340740	MP5004 H05VV-F 3X1.5SQ 250V 13A VOLEX 1.6M 3P UK			
		3611336500	VCTF 3*0.75 2.3M WH			
		3611342550	EU-2PIN PHTHALATE FREE H05VV-F 1.0SQ 1.8M D-MU			
E16	SENSOR PRESSURE	3614825310	5V DL-DW12 INLET 180°	1		
E17	SCREW TAPPING	7122401411	T2S TRS 4x14 MFZN	1		


6. FUNCTIONS OF THE CONTROL PANEL

■ DWD-M801X/101X/121X SERIES

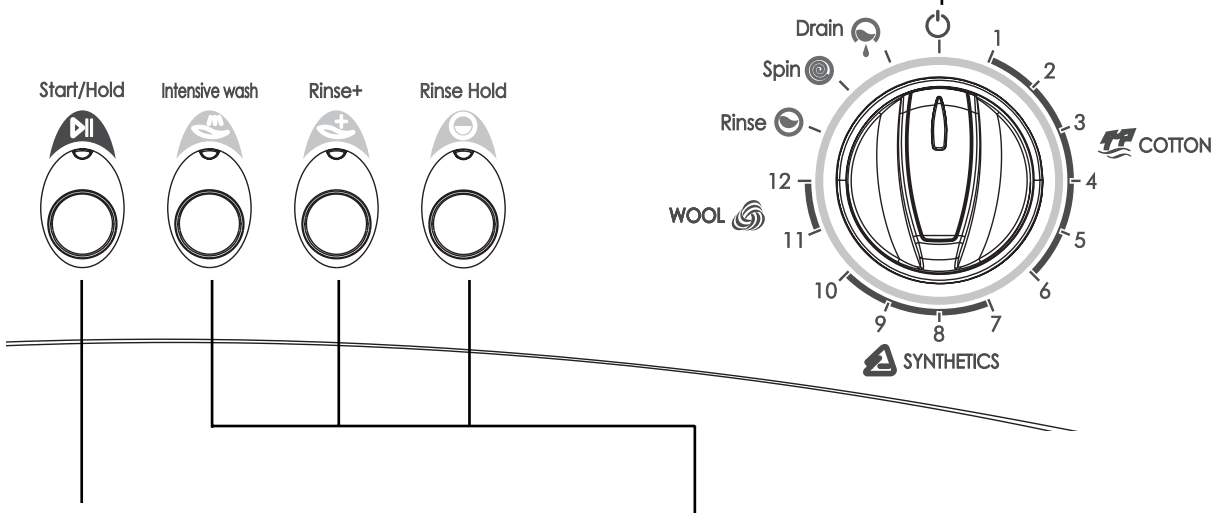
Program selector

For switching the washing machine on and off and for selecting the program.

Can be rotated in both direction.

Even if the program selector rotates while the program is running, the program is not changed (except for off ).

(All program is electronically controlled by PCB)



Start/Hold button

For starting the washing cycle
(program must have been selected)

Button for options

(in addition to the program if required)

Intensive wash Extended washing time.

Rinse + Extra rinse cycle.

Rinse Hold No final spin cycle


- Combination of additional option is possible.
- The indicator lamp of the buttons lights up if options are active.
- Switch off option : Press button again.

■ DWD-M802X/102X/122X SERIES

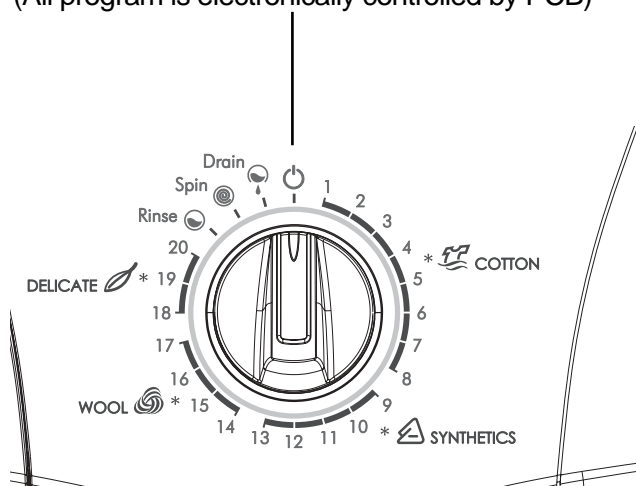
Program selector

For switching the washing machine on and off and for selecting the program.

Can be rotated in both direction.

Even if the program selector rotates while the program is running, the program is not changed (except for off ).

(All program is electronically controlled by PCB)

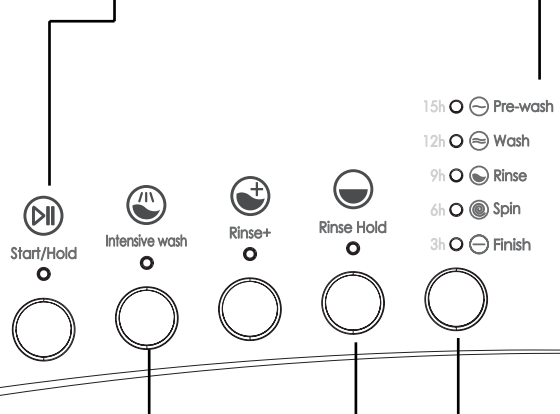


Indicator light

The respective indicator lights up, when the required program segment runs or "Time delay" is selected.

Start/Hold button

For starting the washing cycle (program must have been selected)



Button for options

(in addition to the program if required)

Intensive wash Extended washing time.

Rinse + Extra rinse cycle.

Rinse Hold No final spin cycle

- Combination of additional option is possible.
- The indicator lamp of the buttons lights up if options are active.
- Switch off option : Press button again.

Time delay

To pre-engage time for washing.


As the button is pressed, the delayed time is repeated as following:
3hours → 6hours → 9hours → 12hours
→ 15hours → No pre-engage → 3hours

■ DWD-M803X/103X/123X SERIES

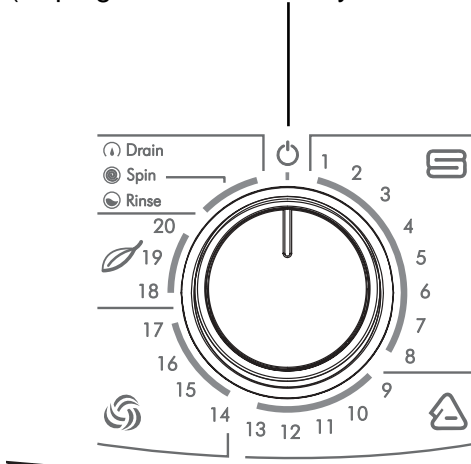
Program selector

For switching the washing machine on and off and for selecting the program.

Can be rotated in both direction.

Even if the program selector rotates while the program is running, the program is not changed (except for off ).

(All program is electronically controlled by PCB)



Indicator light

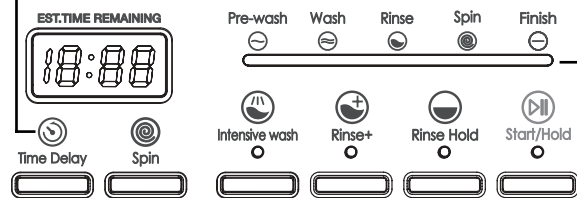
The respective indicator lights up, When the required program segment runs or "Time delay" is selected.

Time delay

To pre-engage time for washing.

As the button is pressed, the delayed time is repeated as following;

3hours → 6hours → 9hours → 12hours
→ 15hours → No pre-engage → 3hours



Button for options

(in addition to the program if required)

Intensive wash Extended washing time.

Rinse + Extra rinse cycle.

Rinse Hold No final spin cycle

- Combination of additional option is possible.
- The indicator lamp of the buttons lights up if options are active.
- Switch off option : Press button again.

Start/Hold button

For starting the washing cycle (program must have been selected)

Spin button

As button is pressed, spin rpm is repeated as following

1200 → 800 → 600 → 1200 (default : 1200)

*Warning

If value of unbalance is extremely high, spin speed can't reached that r.p.m of selected by spin button.

7. FUNCTIONS OF THE CONTROLLER

■ SEQUENCE CHART

Division		Progress Time	Cotton							QUICK30	MIXED
			COLD	30°C	40°C	60°C	PREWASH 60°C	95°C			
PRE WASH	Sensing	20sec.					■				
	Water Supply	2min.					■				
	Pre Wash	13min.									
		8min.					■				
	Drain	1min.					■				
	B-Spin	1min.					■				
WASH	Middle Spin	5min.					■				
	Sensing	20sec.	■	■	■	■		■	■	■	
		2min.	■	■	■	■	■	■	■ (1)	■	
	Wash 1 (Heating)	60min.									
		35min.									
		30min.									
		15min.									
		10min.									
	Wash 2	73min.									
		23min.	■	■	■	■	■	■		■	
		15min.							■ (5)	■	
	RINSE	Drain	1min.	■	■	■	■	■	■	■	■
		B-Spin+ Remove FOAM	1min.	■	■	■	■	■	■		■
		Middle Spin	5min.	■	■	■	■	■	■		■
Water Supply		2min.	■	■	■	■	■	■	■ (1)	■	
Rinse 1		3min.	■	■	■	■	■	■	■	■	
Drain		1min.	■	■	■	■	■	■	■	■	
B-Spin		1min.	■	■	■	■	■	■		■	
Middle Spin		5min.	■	■	■	■	■	■		■	
Water Supply		2min.	■	■	■	■	■	■	■ (1)	■	
Rinse 2		3min.	■	■	■	■	■	■	■	■	
Drain		1min.	■	■	■	■	■	■		■	
B-Spin		1min.	■	■	■	■	■	■		■	
Middle Spin		5min.	■	■	■	■	■	■		■	
Water Supply		2min.	■	■	■	■	■	■		■	
Rinse 3	3min.	■	■	■	■	■	■		■		
SPIN	Drain	1min.	■	■	■	■	■	■	■	■	
	B-Spin	1min.	■	■	■	■	■	■	■	■	
	Main Spin	7min.	■	■	■	■	■	■	■	■	
		5min.	■	■	■	■	■	■	■	■	
END	3min.	■	■	■	■	■	■	■	■		
	Untangle	2min.	■	■	■	■	■	■	■	■	
	End	10sec.	■	■	■	■	■	■	■	■	
Total Time			1:13	1:23	1:28	3:16	1:59	2:13	32	1:23	
NOTE		<ul style="list-style-type: none"> • The washing time may vary by the amount of laundry, water pressure, water temperature and other washing conditions. If an unbalanced load is detected or if suds removing program operates, the washing time maybe extended. (Maximum increasing time is about 1 hour.) • The Spin RPM of cotton course is 800. 									

Division		Progress Time	Synthetic				
			COLD	30°C	40°C	60°C	PREWASH 60°C
P R E W A S H	Sensing	20sec.					■
	Water Supply	2min.					■
	Pre Wash	13min.					
		8min.					■
	Drain	1min.					■
	B-Spin	1min.					■
Middle Spin	5min.					■	
W A S H	Sensing	20sec.	■	■	■	■	
	Water Supply	2min.	■	■	■	■	■
	Wash 1 (Heating)	60min.					
		35min.					
		30min.					
		15min.					
	Wash 2	10min.		■	■	■	■
		73min.					
23min.		■	■	■	■	■	
	15min.	■	■	■	■	■	
R I N S E	Drain	1min.	■	■	■	■	■
	B-Spin + Remove FOAM	1min.	■	■	■	■	■
	Middle Spin	5min.	■	■	■	■	■
	Water Supply	2min.	■	■	■	■	■
	Rinse 1	3min.	■	■	■	■	■
	Drain	1min.	■	■	■	■	■
	B-Spin	1min.	■	■	■	■	■
	Middle Spin	5min.	■	■	■	■	■
	Water Supply	2min.	■	■	■	■	■
	Rinse2	3min.	■	■	■	■	■
	Drain	1min.	■	■	■	■	■
	B-Spin	1min.	■	■	■	■	■
	Middle Spin	5min.	■	■	■	■	■
	Water Supply	2min.	■	■	■	■	■
Rinse3	3min.	■	■	■	■	■	
S P I N	Drain	1min.	■	■	■	■	■
	B-Spin	1min.	■	■	■	■	■
	Main Spin	7min.	■	■	■	■	■
		5min.	■	■	■	■	■
	3min.	■	■	■	■	■	
END	Untangle	2min.	■	■	■	■	■
	End	10sec.	■	■	■	■	■
Total Time			1:13	1:23	1:28	1:43	1:59
NOTE		<ul style="list-style-type: none"> The washing time may vary by the amount of laundry, water pressure, water temperature and other washing conditions. If an unbalanced load is detected or if suds removing program operates, the washing time maybe extended. (Maximum increasing time is about 1hour.) The Spin RPM of synthetic course is 800. 					

Division		Progress Time	Wool				Delicate		
			COLD	30°C	40°C	HAND WASH	COLD	30°C	40°C
PRE WASH	Sensing	20sec.							
	Water Supply	2min.							
	Pre Wash	13min.							
		8min.							
	Drain	1min.							
	B-Spin	1min.							
Middle Spin	5min.								
WASH	Sensing	20sec.	■	■	■	■	■	■	■
	Water Supply	2min.	■	■	■	■	■	■	■
	Wash 1 (Heating)	60min.							
		35min.							
		30min.							
		15min.							
10min.		■	■	■	■	■	■		
Wash 2	73min.								
	23min.	■	■	■		■	■	■	
	15min.	■	■	■	■ (5)	■ (23)	■ (23)	■ (23)	
RINSE	Drain	1min.				■	■	■	■
	B-Spin+ Remove FOAM	1min.				■	■	■	■
	Middle Spin	5min.				■	■	■	■
	Water Supply	2min.				■	■	■	■
	Rinse 1	3min.				■	■	■	■
	Drain	1min.	■	■	■	■	■	■	■
	B-Spin	1min.	■	■	■	■	■	■	■
	Middle Spin	5min.	■	■	■	■	■	■	■
	Water Supply	2min.	■	■	■	■	■	■	■
	Rinse 2	3min.	■	■	■	■	■	■	■
	Drain	1min.	■	■	■	■	■	■	■
	B-Spin	1min.	■	■	■	■	■	■	■
	Middle Spin	5min.	■	■	■	■	■	■	■
	Water Supply	2min.	■	■	■	■	■	■	■
Rinse 3	3min.	■	■	■	■	■	■	■	
SPIN	Drain	1min.	■	■	■	■	■	■	■
	B-Spin	1min.	■	■	■	■	■	■	■
	Main Spin	7min.	■	■	■	■	■	■	■
		5min.	■	■	■	■	■	■	■
3min.		■	■	■	■	■	■	■	
END	Untangle	2min.	■	■	■	■	■	■	■
	End	10sec.	■	■	■	■	■	■	■
Total Time			58	1:08	1:13	1:05	1:13	1:23	1:28
NOTE		<ul style="list-style-type: none"> The washing time may vary by the amount of laundry, water pressure, water temperature and other washing conditions. If an unbalanced load is detected or if suds removing program operates, the washing time maybe extended. (Maximum increasing time is about 1hour.) The Spin RPM of wool course is 450. 							

8. FUNCTION OF THE CONVENIENT SERVICE

■ The test mode of the load movement

You can check the PCB ASS'Y and the condition of each load movement simply.

• The method to test the load movement

- ① Plug the power cord.
- ② Turn the program selector to the program 1.
(The indicator light of the Start/Hold button is on but not twinkles. If the indicator is twinkles, press the Start/Hold button and turn the program selector to the off.)
- ③ Press the Rinse+ button 3times while press the Intensive wash button.
- ④ Whenever the Rinse hold button is pressed, each load movement is occurred as follows;
Door lock close → Hot valve on → Cold valve on → Pre wash valve on → Bubble pump on → Drain pump on

9. TROUBLESHOOTING GUIDE

This washer is equipped with automatic safety function which detects and diagnoses faults at an early stage and copes properly.

When the washer does not operate properly, check the following points.

■ Simply Check Guide

Problem	Cause	Solution
Program dose not start.	Plug is loose or not plugged in.	Insert plug tightly.
	Power failure.	An interrupted program will be resumed when the power return.
	Loading door is not closed.	Check whether laundry is trapped in door. Close the loading door. (a click should be heard)
	Program is not selected.	Select the desired program.
	Start/hold button is not pressed.	Press the Start/hold button.
Water dose not enter the washing machine.	Water tap is not turned on.	Turn the water tap on.
	Inlet hose is kinked or folded.	Straighten the inlet hose.
	Filters is blocked in water inlet filter.	Clean the water inlet filter.
Washing machine is not drain.	Drain hose is kinked or clogged.	Straighten and clean the drain hose.
	Pump filter is clogged.	Clean the pump filter
Washing machine is not spin.	The amount of laundry is too small.	Add the laundry to balance. And repeat the Spin cycle.
	The laundry is unbalanced.	Rearrange the laundry. And repeat the Spin cycle. If articles of heavy clothing (e.g. bath robe) are loaded, washing machine may skip or stop the spin cycle.
Spin result is unsatisfactory.	Drain hose is placed over 1m above the floor.	Place the drain hose under 1m above the floor.
Foam come out of the detergent case.	Too much detergent or unsuitable detergent used.	Repeat the Rinse cycle.
Serious noise and vibration	Transit bolts are not removed.	Remove the transit bolts
	Washing machine is installed on uneven floor.	Reinstall washing machine on even floor.
	Washing machine is not leveled.	Adjust the level of washing machine using adjustable legs.

■ DISPLAY ERROR MESSAGE

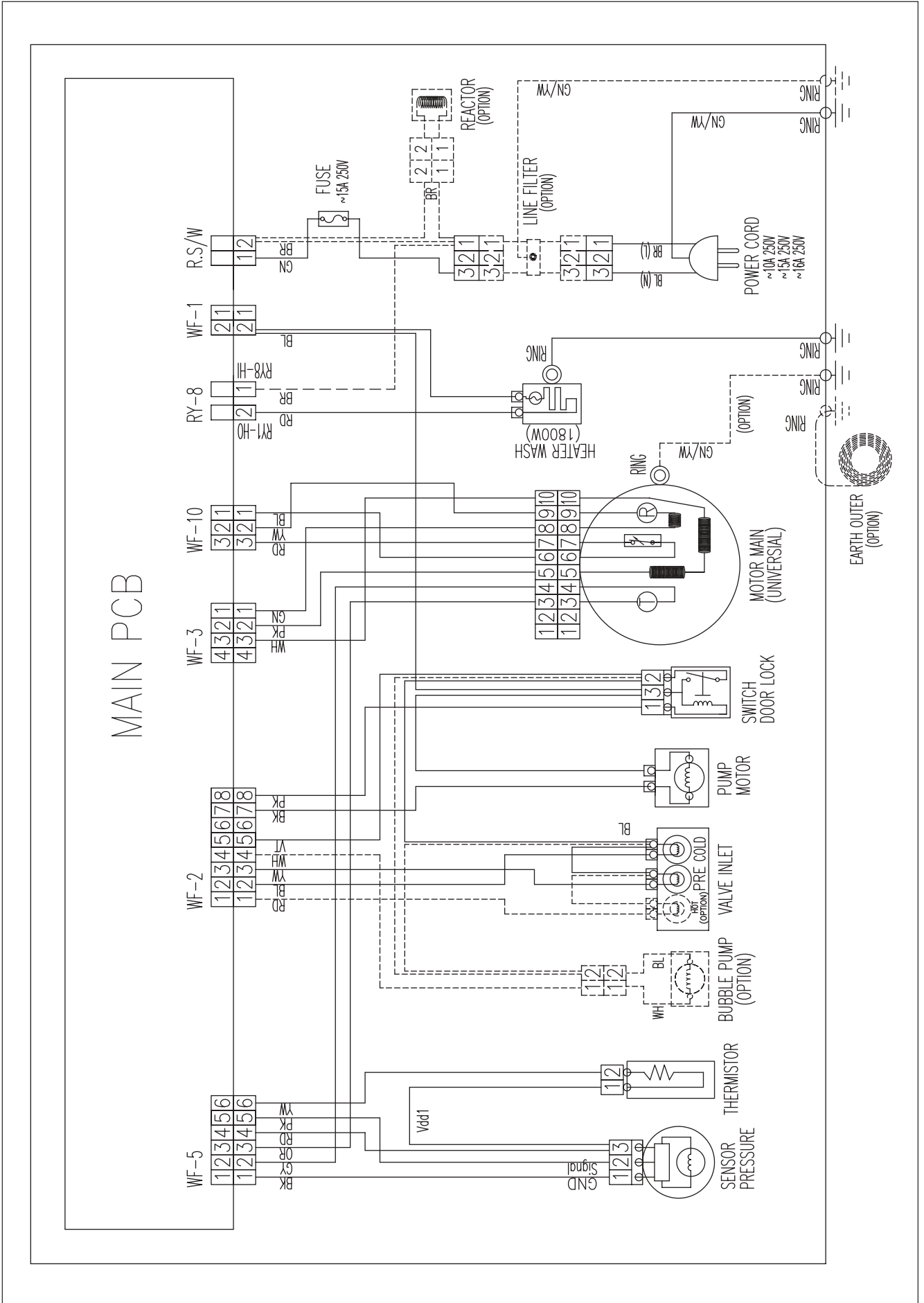
When mechanical or electrical troubles of the washer are occurred, indicator lights of buttons twinkle simultaneously as follows;

ERROR MESSAGE	Indicator Light twinkling			
	Start/Hold	Intensive wash	Rinse+	Rinse Hold
IE	●	●		
PFE, OE, E4	●		●	
E7, E8	●			●
E2, E9	●	●	●	
H2, H4, H5, H6, H8	●	●		●
UE	●		●	●
LE	●	●	●	●

MESSAGE	ERROR	CAUSE	SOLUTION
IE	WATER INLET ERROR	The water tap is closed.	Open the water tap.
		The filter of the valve inlet is clogged.	Clean the filter of the valve inlet.
		The valve inlet is an inferior product or broke down.	Change the valve inlet.
		The water level sensor (sensor pressure) is an inferior product or broke down.	Change the water level sensor (sensor pressure).
		The drain motor works during water supply.	Change the drain motor.
		The PCB ASS'Y does not check the water level.	Change the PCB ASS'Y.
OE	DRAIN ERROR	The drain hose is kinked or clogged.	Clean and straighten the drain hose.
		The drain motor is an inferior product.	Change the drain motor.
		The valve inlet works during drain.	Change the valve inlet
		The water level sensor is an inferior product.	Change the water level sensor.
		The PCB ASS'Y does not check the water level.	Change the PCB ASS'Y.
UE	UNBALANCE ERROR	The laundry is concentrated to one side of the drum during spin.	Rearrange the laundry.
LE	DOOR OPEN ERROR	The Start/Hold button is pressed while the door is opened.	Close the door.
		The switch door lock is an inferior product.	Change the switch door lock.
		The PCB ASS'Y does not check the door lock.	Change the PCB ASS'Y.

MESSAGE	ERROR	CAUSE	SOLUTION
E2	OVERFLOW ERROR	The water is supplied continuously due to an inferior valve inlet.	Change the valve inlet.
		The valve inlet is normal, but the water level sensor (sensor pressure) is inferior.	Change the water level sensor (sensor pressure).
		The drain motor dose not work. (The drain motor is an inferior product or broke down.)	Change the drain motor.
E4	LEAKAGE ERROR	Water leaks from the tub or the hose drain.	Check the leak of the tub or the hose drain. Then change the tub or the hose drain.
E7	DIRECTION ERROR	The motor spins into an opposite direction.	Change the PCB ASS'Y or the motor.
		The motor hall IC is an inferior product or broke down.	Change the motor hall IC or the motor.
E8	MOTOR ERROR	The motor is not normally connected.	Check the connector of the motor.
		The motor does not work. (The motor is an inferior product or broke down.)	Change the motor.
E9	SENSOR PRESSURE ERROR	The water level sensor is an inferior product.	Change the water level sensor.
H2	THERMISTOR WASH ERROR	The thermistor wash is an inferior product or broke down.	Change the thermistor wash.
		The thermistor wash is not connected normally.	Check the connector of the thermistor wash.
H4	THERMISTOR WASH OVERHEATING ERROR	The heater worked without the water in the tub.	Check the water level.
		The thermistor wash is an inferior product or broke down.	Change the thermistor wash.
H5	WATER TEMP. ERROR	The water temp. is over 45°C in delicate & wool course. (The thermistor wash is an inferior product or broke down.)	Change the thermistor wash.
H6	HEATER WASH ERROR	The heater wash dose not work. (The water temp. doesn't rise over 2°C during 15min.)	Change the heater wash.
H8	HEATER WASH OVERHEATING ERROR	The heater worked without the water in the tub.	Check the water level and the heater wash.
PFE	PUMP FILTER ERROR	The drain pump filter is clogged.	Clean the drain pump filter.
		The drain pump does not work during spin.	Change the drain pump.
		The large amount of detergent was used.	Use the proper amount of detergent.
		The drain hose is placed higher than 1m above the floor.	Place the drain hose 1m below the floor

10. WIRING DIAGRAM





DAEWOO ELECTRONICS CORP.

1-2, Jeo-dong 1(il)-ga, Jung-gu, Seoul, Korea

C.P.O. BOX 8003 SEOUL, KOREA

TELEX: DWELEC K28177-8

CABLE: "DAEWOOELEC"

PRINTED DATE: Jan. 2010

S/M NO. :

ABOUT THIS MANUAL

VISION CREATIVE, INC.

서울 종로구 통의동
6번지 이룸빌딩 4층

답 당	정건기 님	
MODEL	DWD-M801X/M802X/M803X	
	DWD-M101X/M102X/M103X	
	DWD-M121X/M122X/M123X (S/M)	
접 수	2007.06.01 총 31페이지	
일 정	1차	
	2차	
	3차	
제 판	한	인 쇄
규 격		
<p>MEMO 총 34p 07.06.04-1,2,4,6,7,8,9,10,11,12,15,17,19,21,22,23,24,25,27-수정 07.06.08-7,17-수정 08.12.19-13p, 14p, 16p, 17p 수정_ 신규 4p 09,09.18-22p 수정_ 신규 1p 10.01.07-전체 수정(D-MU80/10/12 series의 통합 메뉴얼 제작) _ 신규 34p 10.01.11-17p, 19p, 21p 수정_ 신규 3p 10.01.12-21p 수정_ 신규 1p 10.02.08-14p 수정_ 신규 1p</p>		

연락처

VISION 담당방 문 수.....

TEL: 730-0660 FAX: 730-3788