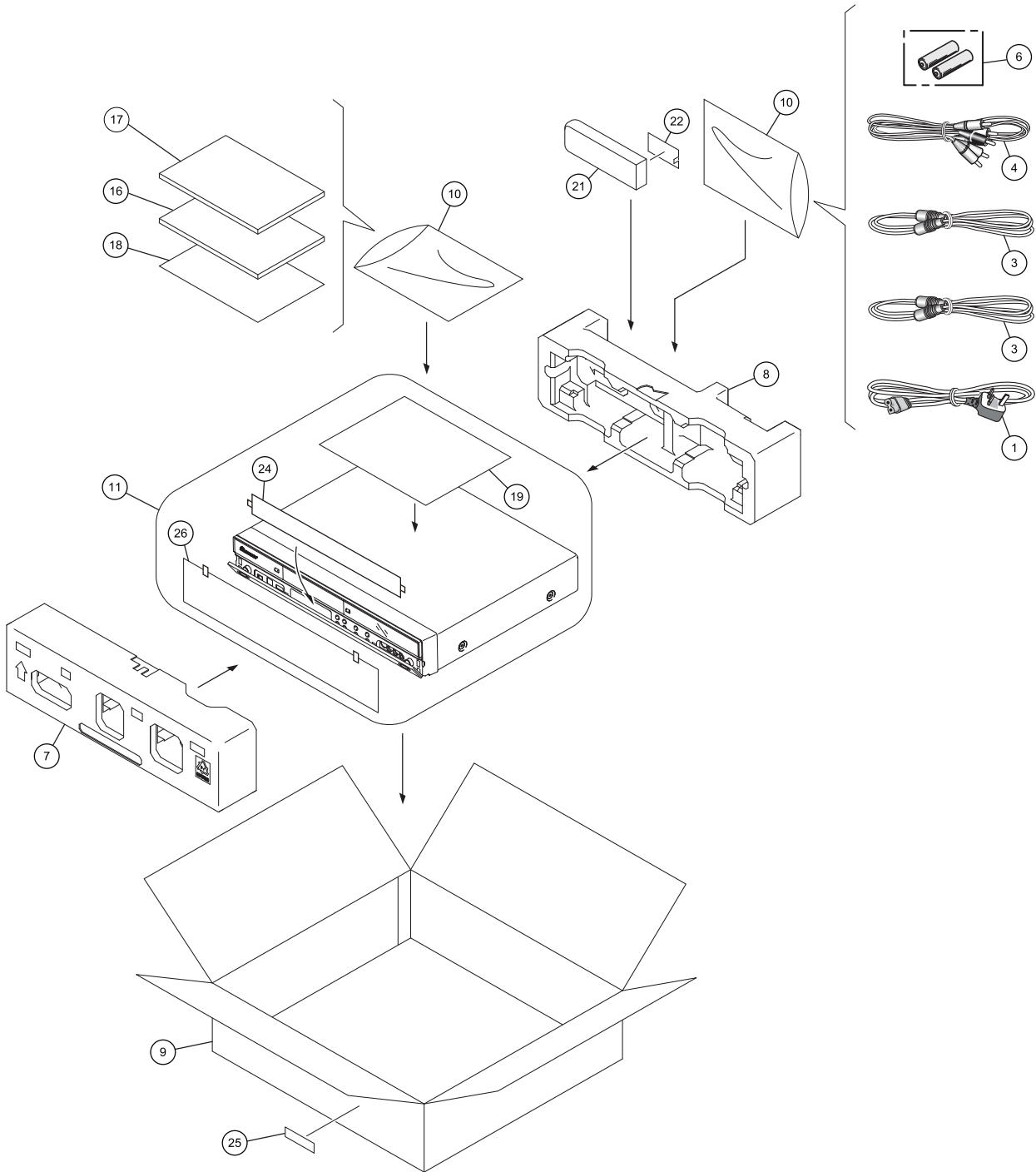


# 9. EXPLODED VIEWS AND PARTS LIST

- NOTES:**
- Parts marked by "NSP" are generally unavailable because they are not in our Master Spare Parts List.
  - The  $\Delta$  mark found on some component parts indicates the importance of the safety factor of the part. Therefore, when replacing, be sure to use parts of identical designation.
  - Screws adjacent to  $\nabla$  mark on product are used for disassembly.
  - For the applying amount of lubricants or glue, follow the instructions in this manual. (In the case of no amount instructions, apply as you think it appropriate.)

## 9.1 PACKING



**(1) PACKING SECTION PARTS LIST**

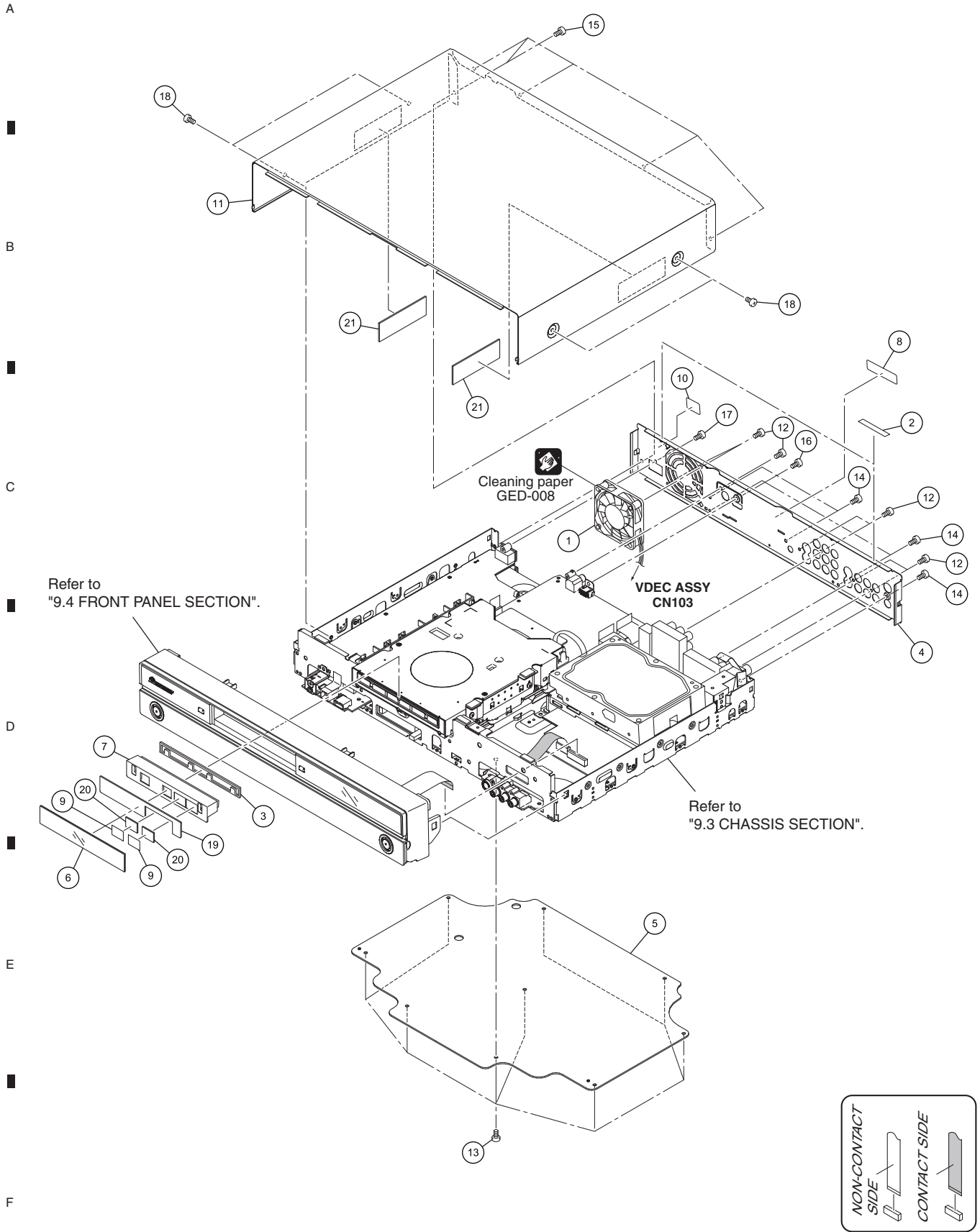
<u>Mark No.</u>	<u>Description</u>	<u>Part No.</u>	<u>Mark No.</u>	<u>Description</u>	<u>Part No.</u>
⚠ 1	Power Cable	See Contrast table (2)	15	.....	
2	.....		16	Oprating Instructions (Trad-Chinese)	VRC1433
3	RF Antenna Cable	See Contrast table (2)	17	Oprating Instructions (English)	VRB1477
4	Audio Video Cable (1.5m) (red/white/yellow)	VDE1077	18	HDD Caution 8L	VRR1071
5	.....		19	HDD Caution 8L B	VRR1076
NSP 6	Dry Cell Batteries (AA/R6P)	VEM1010	20	.....	
7	Front Pad	VHA1435	21	Remote Control	VXX3267
8	Rear Pad	VHA1436	22	Battery Cover	AZA7424
9	Packing Case	See Contrast table (2)	23	.....	
10	Polyethylene Bag	VHL1088	24	Nonwoven Cloth Sheet	VHL1110
11	Mirror Sheet	VHL1095	NSP 25	Serial Label S	VRW2188
12	.....		26	Nonwoven Cloth Cover	VHL1116
13	.....				
14	.....				

**(2) CONTRAST TABLE**

DVR-LX70/TLXV and DVR-LX70/TFXV are constructed the same except for the following:

<u>Mark</u>	<u>No.</u>	<u>Symbol and Description</u>	<u>DVR-LX70/ TLXV</u>	<u>DVR-LX70/ TFXV</u>
⚠	1	Power Cable	ADG1127	ADG7097
	3	RF Antenna Cable	VDE1075	VDE1088
	9	Packing Case	VHG2848	VHG2849

## 9.2 EXTERIOR SECTION



**(1) EXTERIOR SECTION PARTS LIST**

<u>Mark No.</u>	<u>Description</u>	<u>Part No.</u>	
⚠ 1	DC Fan Moror 60	VXM1123	
2	Cushion	VEB1401	A
3	Tray Sheet	VEC2576	
NSP 4	Rear Panel (TLXV type)	VNA3049	
NSP 4	Rear Panel (TFXV type)	VNA3050	
NSP 5	Layer Panel	VNE2485	
6	Traypanel Lens	VNK6286	■
7	Traypanel Base	VNK6287	
NSP 8	Serial Label S	VRW2188	
9	Hologram Label	VRW2170	
NSP 10	ID Label	VXW1015	
11	Bonnet Case S	VXX3265	B
12	Screw	BPZ30P080FCC	
13	Screw	BSR30P060FTC	
14	Screw	BSZ30P040FCC	
15	Screw	BSZ30P060FCC	■
16	Screw	PCZ30P060FCC	
17	Screw	PPZ30P080FCC	
18	Screw	VBA1112	
19	Spacer T	VEC2585	
20	Spacer H	VEC2586	C
21	Spacer B	VEC2587	

# 9.3 CHASSIS SECTION

1

2

3

4

A

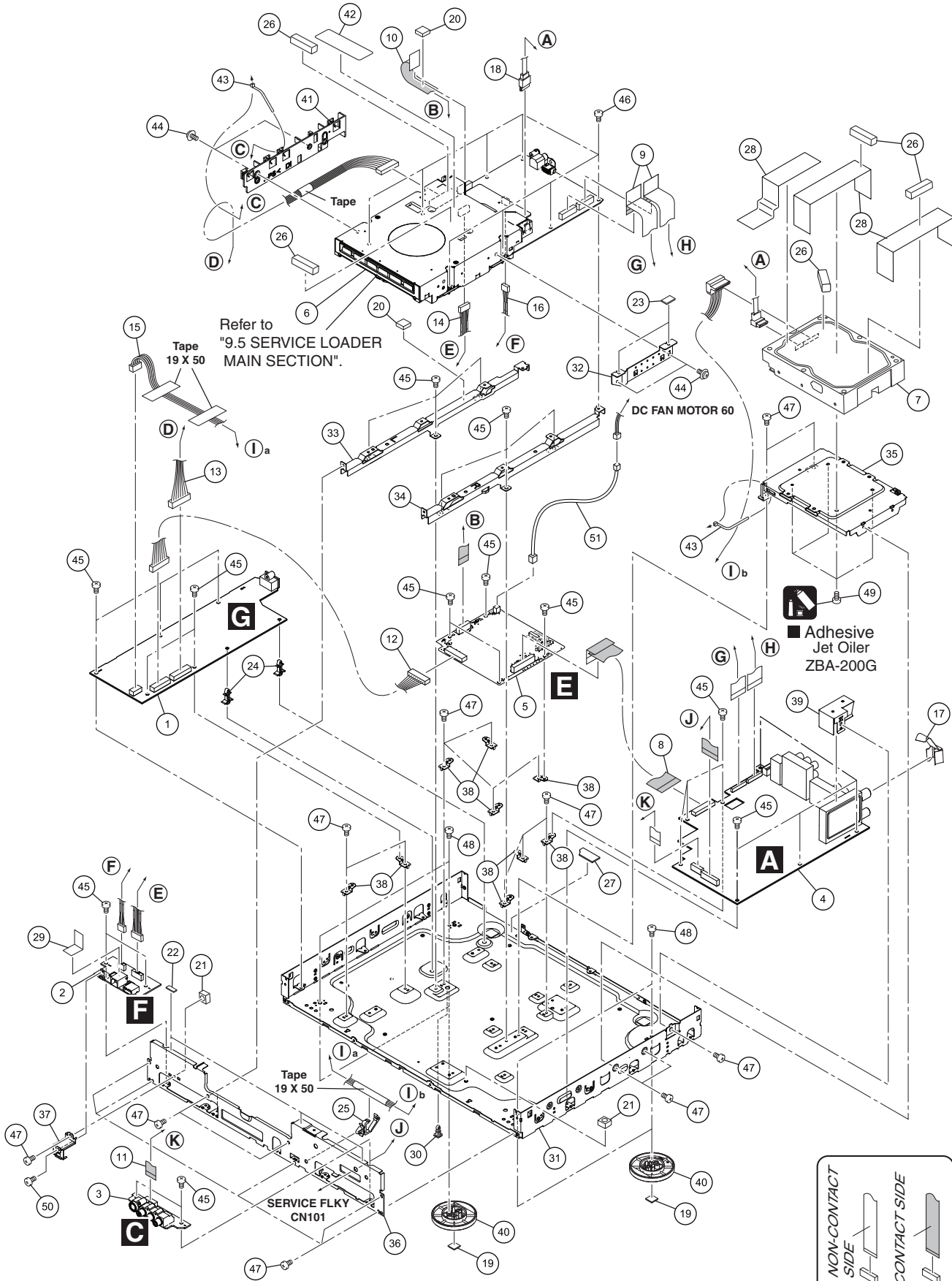
B

C

D

E

F



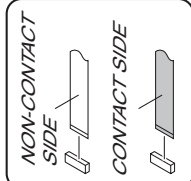
Refer to "9.5 SERVICE LOADER MAIN SECTION".

DC FAN MOTOR 60

Adhesive Jet Oiler ZBA-200G

Tape 19 X 50

SERVICE FLKY CN101



1

2

3

4

(1) CHASSIS SECTION PARTS LIST					
Mark No.	Description	Part No.	Mark No.	Description	Part No.
⚠ 1	POWER SUPPLY Assy	VWR1412	46	Screw	BSR30P080FTB
2	DVUB Assy	VWV2324	47	Screw	BSZ30P040FTC
3	SERVICE FRJB Assy	VXX3271	48	Screw	BPZ30P080FTC
4	SERVICE TURB Assy (TLXV type)	VXX3273	49	#6-32 Screw	DBA1125
4	SERVICE TURB Assy (TFXV type)	VXX3274	50	Screw	VBA1088
5	VDEC Assy	VWV2331	51	Housing Assy (2P)	VKP2403
NSP 6	Service Loader Main	VXU1012			
7	HDD 500G ST3500830SS	VXF1155			
8	Flexible Cable (24P)	VDA2168			
9	Flexible Cable (22P)	VDA2176			
10	Flexible Cable (30P)	VDA2177			
11	Flexible Cable (11P)	VDA2178			
12	Connector Assy	PF12PP-S15			
13	Connector Assy	PF13PP-S17			
14	Housing Assy (10P)	VKP2391			
15	Housing Assy (4P)	VKP2399			
16	Housing Assy (6P)	VKP2400			
17	Earth Plate TU	VBK1173			
18	SATA Cable	VDX1018			
19	Rubber Foot	VEB1349			
20	Rubber Spacer	VEB1398			
21	Screw Guard	VEB1399			
22	Cushion	VEB1402			
23	Cushion B	VEB1406			
24	PCB Support	VEC2184			
NSP 25	Clamp	VEC2418			
26	Gasket 30*10T	VEC2522			
27	Spacer	VEC2584			
28	Aluminum Tape 180*25	VEF1065			
29	Aluminum Tape 13*25	VEF1068			
30	Rocking Spacer	VEC2578			
NSP 31	Base Chassis	VNB1063			
NSP 32	Upper Stay	VNE2467			
NSP 33	Writer Stay L	VNE2468			
NSP 34	Writer Stay R	VNE2469			
NSP 35	HDD Stay	VNE2470			
NSP 36	Front Stay	VNE2472			
37	DV Angle	VNE2474			
NSP 38	PCB Base	VNE2477			
39	AT Shield	VNF1141			
40	Insulator H.S.	VNK6329			
41	Cord Holder	VNL1971			
42	Laser Caution Label	VRW2262			
NSP 43	Binder (BK-1)	ZCA-BK1			
44	Screw	AMZ30P060FTC			
45	Screw	BSR30P060FTC			

# 9.4 FRONT PANEL SECTION

A

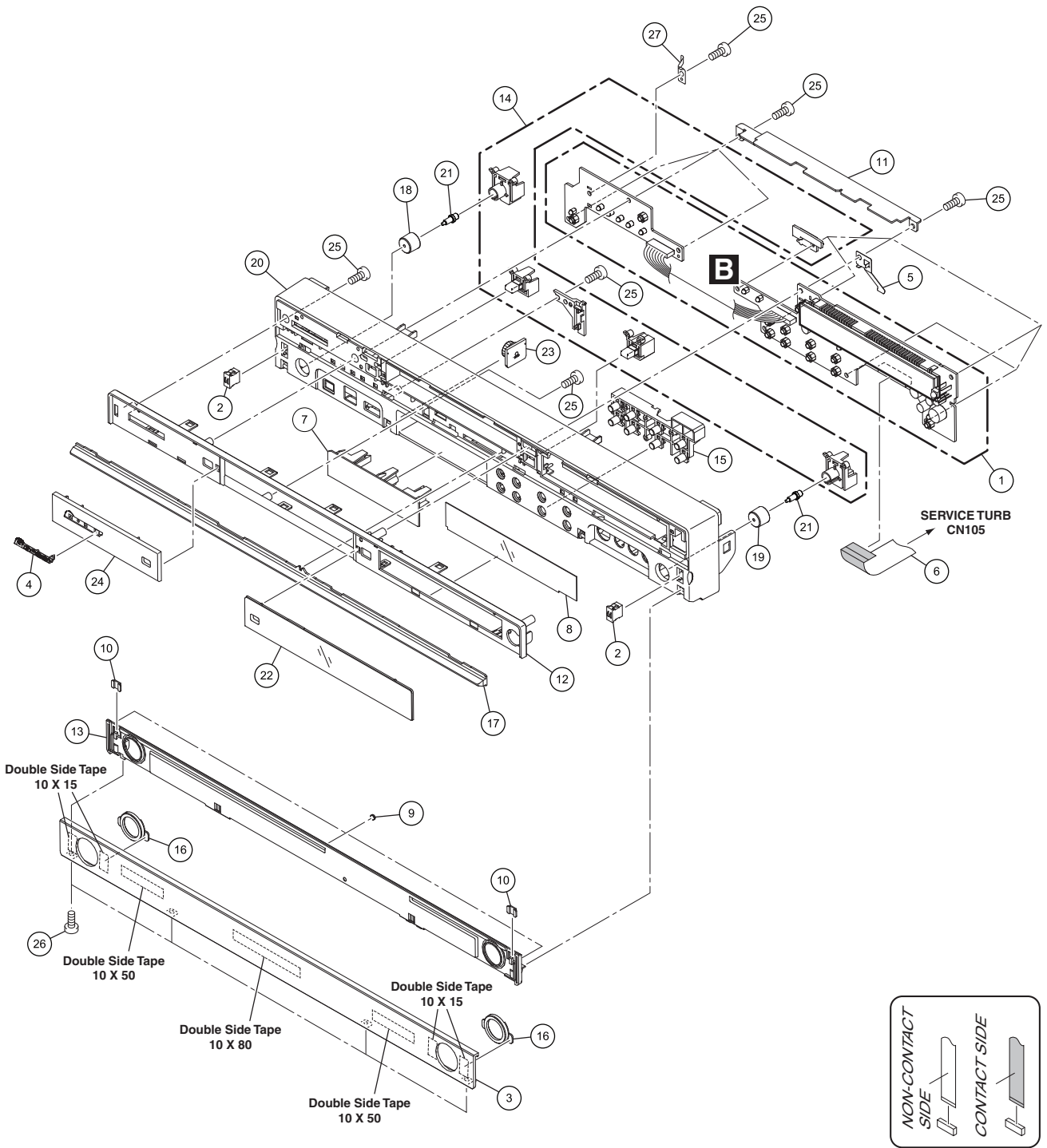
B

C

D

E

F



**(1) FRONT PANEL SECTION PARTS LIST**

<u>Mark No.</u>	<u>Description</u>	<u>Part No.</u>	
1	SERVICE FLKY Assy	VXX3269	
2	Magnet Holder Assy	AEC1077	A
3	Door Panel	VAH1450	
4	PIONEER Badge	VAM1158	
5	Earth Plate FLKY	VBK1176	
6	Flexible Cable (19P)	VDA2179	
7	CI Cover	VNK6229	■
8	FL Filter	VEC2544	
9	Door Pad	VEC2562	
10	Magnet Catcher B	VNE2482	
11	FP Bridge	VNE2464	B
12	Panel Frame	VNK6149	
13	Door Base	VNK6161	
14	Main Key	VNK6162	
15	Function Key	VNK6164	
16	Door Ring	VNK6165	■
17	Center Lens	VNK6168	
18	Key Top PW	VNK6289	
19	Key Top REC	VNK6302	
20	Front Panel	VNK6307	C
21	LED Lens	VNK6290	
22	FL Lens	VNK6317	
23	Damper Assy	VXA2858	
24	Sub Panel	VNK6326	■
25	Screw	BPZ30P080FTC	
26	Flat Head Screw	VBA1113	
27	Earth Plate TU	VBK1179	

A

B

C

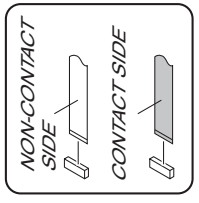
D

E

F



# 9.5 SERVICE LOADER MAIN SECTION



A

B

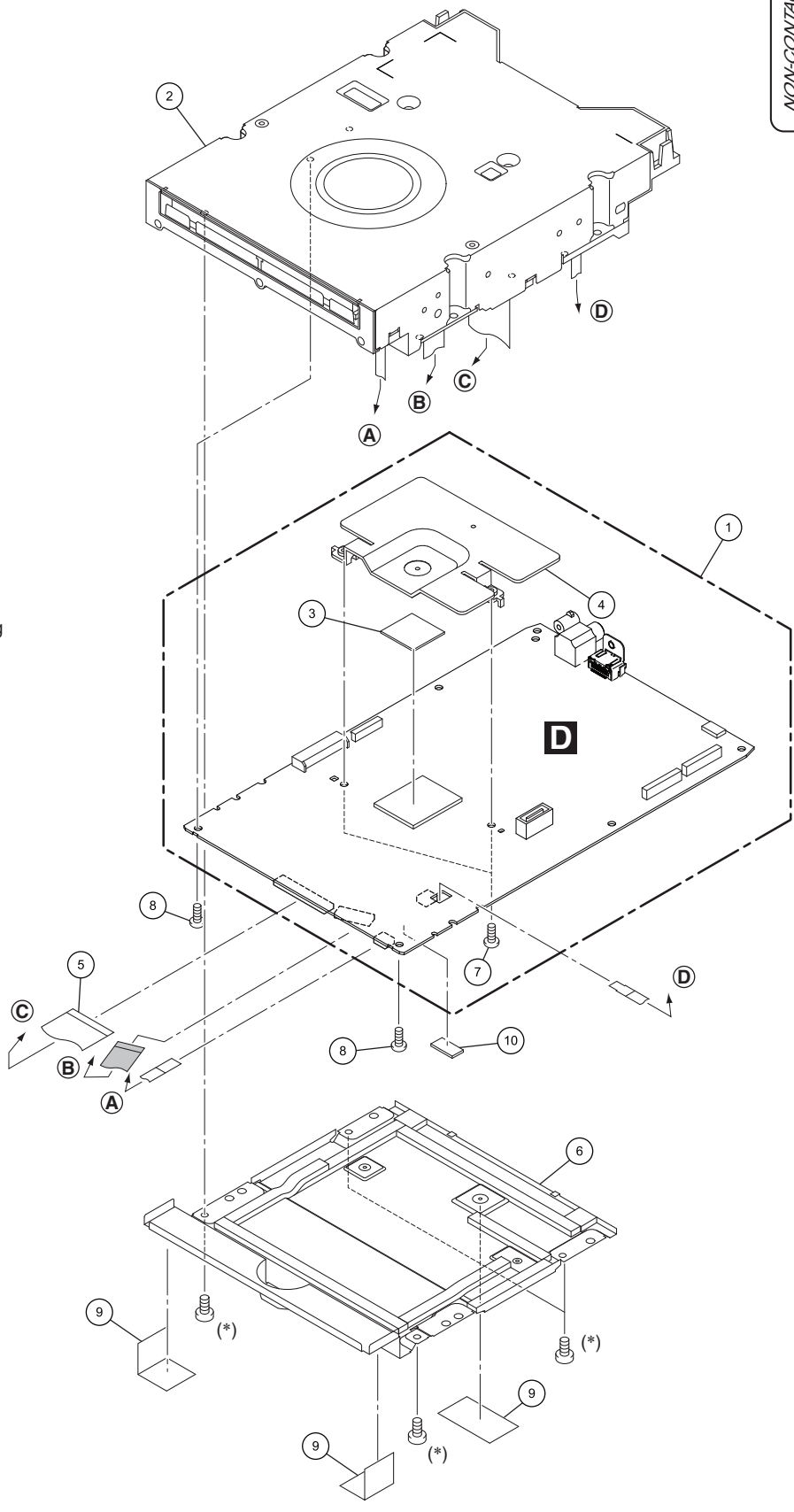
C

D

E

F

Reuse (\*) marked parts when exchanging Service LOADER Assy.  
 • Case Screw S (DBA1250) x2



**SERVICE LOADER MAIN SECTION PARTS LIST**

<u>Mark No.</u>	<u>Description</u>	<u>Part No.</u>
1	SERVICE MAIN Assy	VXX3268
2	Service Loader Assy	VXX3239
3	Radiation Sheet (Silicon)	VEB1360
4	Heatsink	VNH1079
5	FFC U11	DDX1208
6	Low Case U11	DNC1761
7	Screw	BBZ30P060FTC
8	Screw	DBA1220
NSP 9	Tape	•••••
10	Silicon Sheet R9B	DEB1726

A

B

C

D

E

F