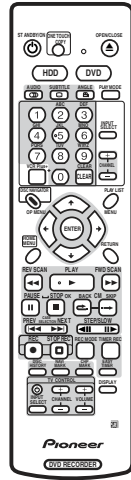
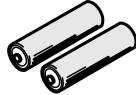


● Accessories

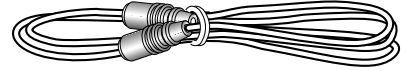
- Remote control 1 (VXX2932)



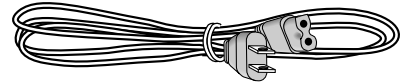
- Dry cell batteries 2 (AA/R6P)



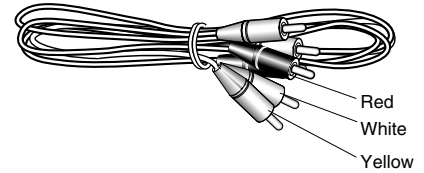
- RF antenna cable 1 (VDE1025)



- Power cable 1 (ADG7021 : DVR-520H-S/KU/CA) (ADG7075 : DVR-520H-S/KUXU/CA) (DVR-65H-S/KCXU)



- Audio / Video cable(L=1.5m) 1 (red/white/yellow) (XDE3049 : DVR-520H-S/KU/CA) (VDE1077 : DVR-520H-S/KUXU/CA) (DVR-65H-S/KCXU)



A

B


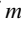
C

D

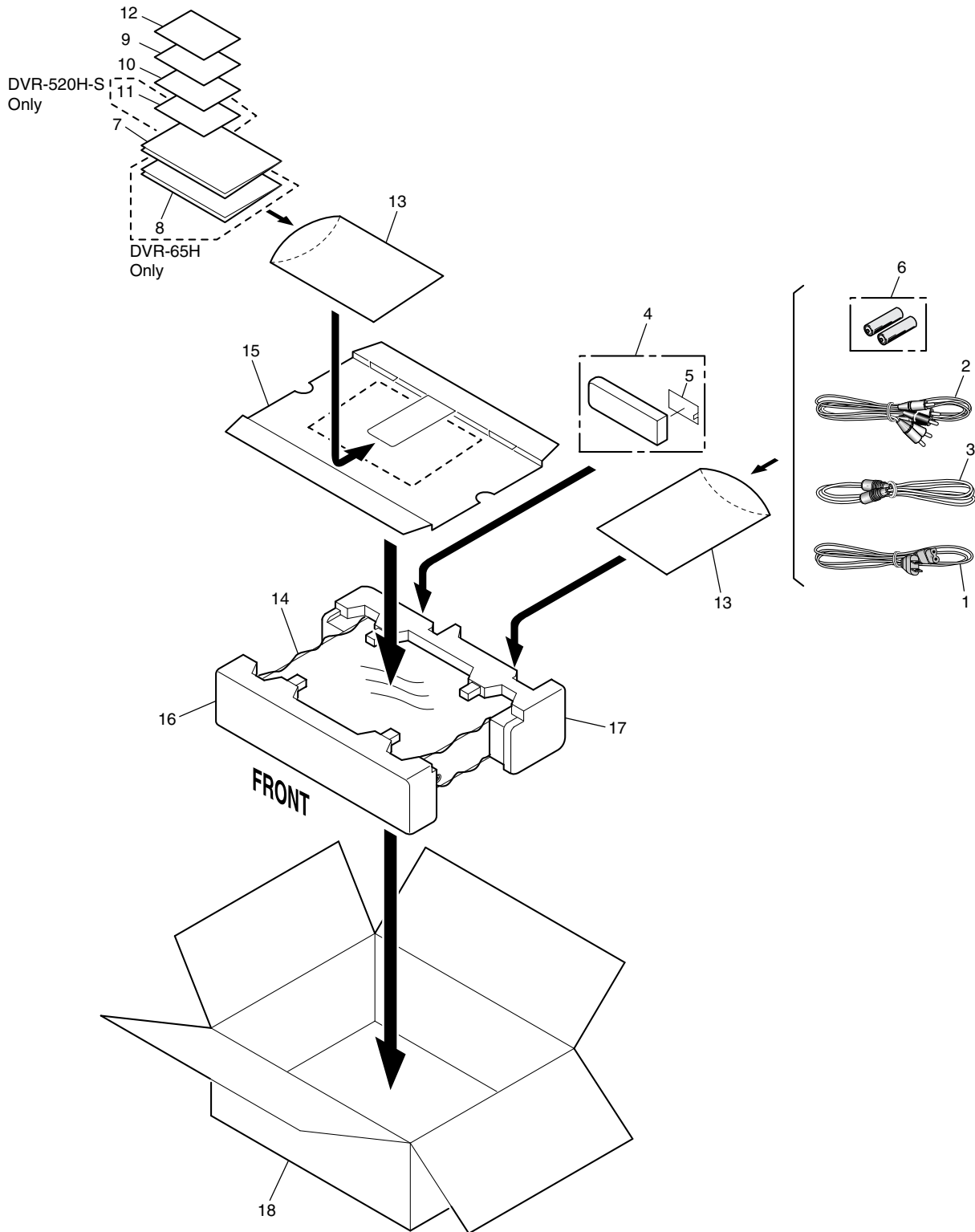
E

F

2. EXPLODED VIEWS AND PARTS LIST

- NOTES:**
- Parts marked by "NSP" are generally unavailable because they are not in our Master Spare Parts List.
 - The  mark found on some component parts indicates the importance of the safety factor of the part. Therefore, when replacing, be sure to use parts of identical designation.
 - Screws adjacent to  mark on product are used for disassembly.
 - For the applying amount of lubricants or glue, follow the instructions in this manual. (In the case of no amount instructions, apply as you think it appropriate.)

2.1 PACKING



PACKING parts List

<u>Mark No.</u>	<u>Description</u>	<u>Part No.</u>	<u>Mark No.</u>	<u>Description</u>	<u>Part No.</u>
⚠ 1	Power Cable	See Contrast table (2)	NSP 9	HDD Caution 8L B	VRR1046
2	Audio / Video Cable	See Contrast table (2)	NSP 10	HDD Caution 8L	VRR1047
3	RF Antenna Cable	VDE1025	NSP 11	Card	See Contrast table (2)
4	Remote Control	VXX2932	NSP 12	Warranty Card	See Contrast table (2)
5	Battery Cover	AZN7933	13	Polyethylene Bag	VHL1051
NSP 6	Dry Cell Battery (R6P, AA)	See Contrast table (2)	14	Mirror Sheet	VHL1006
7	Operating Instructions (English)	See Contrast table (2)	15	IM Holder	See Contrast table (2)
8	Operating Instructions (French)	See Contrast table (2)	16	Front Pad	See Contrast table (2)
			17	Rear Pad	See Contrast table (2)
			18	Packing Case	See Contrast table (2)

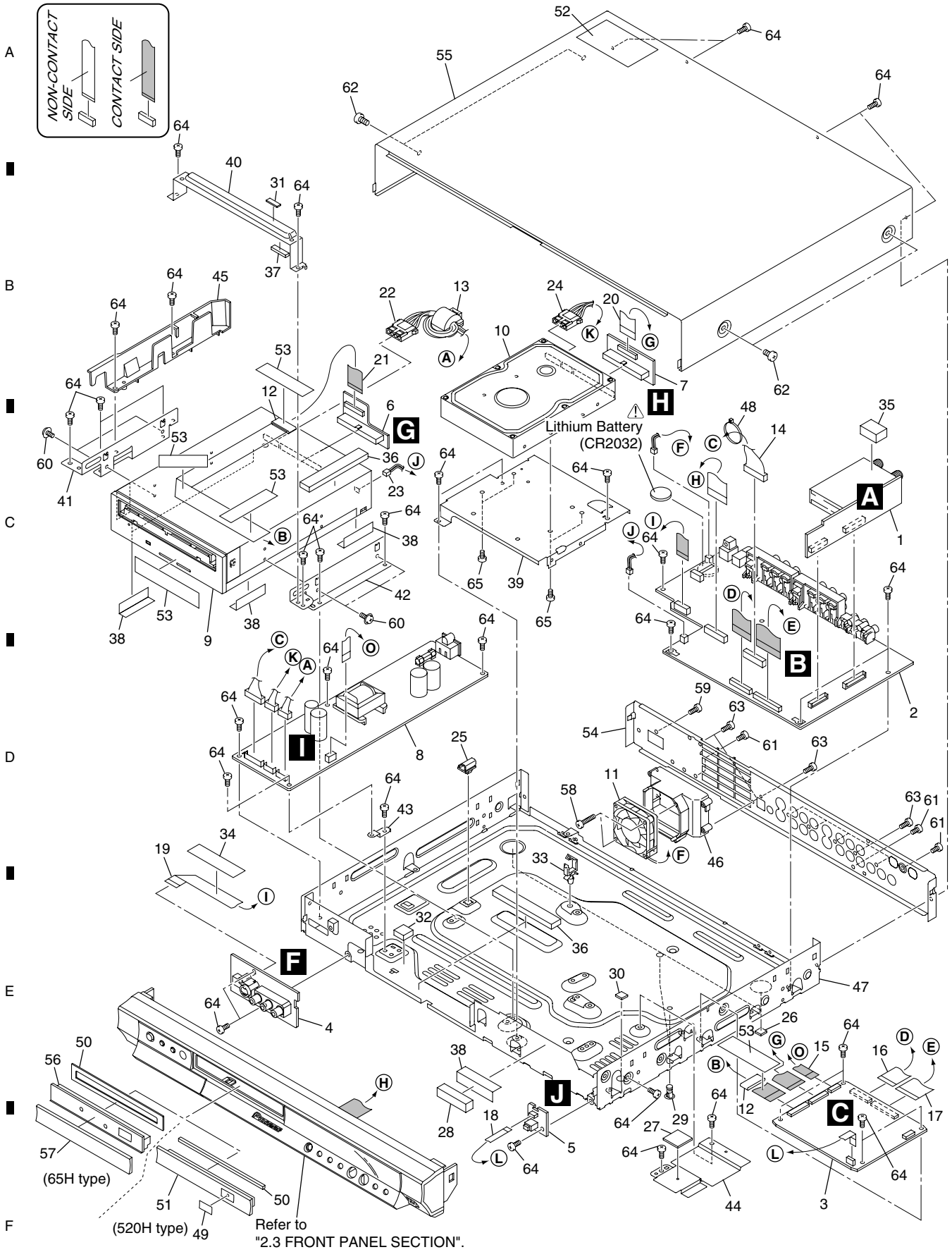
(2) CONTRAST TABLE

DVR-520H-S/KU/CA, KUXU/CA and DVR-65H/KCXU are constructed the same except for the following :

Mark	No.	Symbol and Description	DVR-520H-S /KU/CA	DVR-520H-S /KUXU/CA	DVR-65H-S /KCXU
⚠	1	Power Cable	ADG7021	ADG7075	ADG7075
	2	Audio / Video Cable	XDE3049	VDE1077	VDE1077
NSP	6	Dry Cell Battery (R6P, AA)	VEM1031	VEM1030	VEM1030
	7	Operating Instructions (English)	VRB1338	VRB1338	VRB1343
	8	Operating Instructions (French)	Not used	Not used	VRC1210
NSP	11	Card	VRY1132	VRY1132	Not used
NSP	12	Warranty Card	ARY7045	ARY7045	ARY7007
	15	IM Holder	VHC1116	VHC1115	VHC1115
	16	Front Pad	VHA1368	VHA1364	VHA1364
	17	Rear Pad	VHA1369	VHA1365	VHA1365
	18	Packing Case	VHG2545	VHG2530	VHG2549

1 2 3 4

2.2 EXTERIOR



EXTERIOR parts List

<u>Mark No.</u>	<u>Description</u>	<u>Part No.</u>	<u>Mark No.</u>	<u>Description</u>	<u>Part No.</u>
1	TUNB Assy	VWV2010	34	FFC Protector	VEC2436
2	JCKB Assy	VWV2023	35	Gasket 20 x 8T	VEC2437
3	MAIN Assy	VWV2025			
4	FRJB Assy	VWV2004	36	Gasket 75 x 7T	VEC2439
5	DVJB Assy	VWV2006	37	Gasket Sheet 2	VEC2440
			38	Aluminum Tape	VEF1056
6	ATWB Assy	VWV2009	NSP 39	HDD Stay	VNE2334
7	ATHB Assy	VWV2011	NSP 40	Bonnet Angle	VNE2335
⚠ 8	POWER SUPPLY Unit	VWR1380			
9	DRIVE Assy R7 (for Service)	VXX2942	NSP 41	Writer Stay L	VNE2336
10	HDD	See Contrast table (2)	NSP 42	Writer Stay R	VNE2337
			NSP 43	PCB Base	VNE2339
11	DC Fan Motor	VXM1114	NSP 44	Heatsink	VNH1070
12	Ferrite Core	ATX1048	45	SYPS Cover	VNK5426
13	Ferrite Core	See Contrast table (2)			
14	Connector Assy (13P)	PF13PP-D47	46	Fan Duct	VNK5427
15	Flexible Cable (8P)	See Contrast table (2)	NSP 47	Base Chassis Assy	VXA2682
			NSP 48	Binder (BK-1)	ZCA-BK1
16	Flexible Cable (24P)	See Contrast table (2)	49	HDD Badge	See Contrast table (2)
17	Flexible Cable (32P)	See Contrast table (2)	50	Tray Sheet	See Contrast table (2)
18	Flexible Cable (7P)	See Contrast table (2)			
19	Flexible Cable (13P)	See Contrast table (2)	51	Tray Panel	See Contrast table (2)
20	Flexible Cable (40P)	See Contrast table (2)	52	Bonnet Label	VRW2104
			NSP 53	Tape	ZTA-156A-19
21	Shield Flexible Cable (40P)	See Contrast table (2)	54	Rear Panel	See Contrast table (2)
22	Housing Assy (4P)	See Contrast table (2)	55	Bonnet Case S	VXX2925
23	Housing Assy (2P)	See Contrast table (2)			
24	Housing Assy (4P)	See Contrast table (2)	56	Tray Panel Base	See Contrast table (2)
NSP 25	P. Plate Holder	PNY-405	57	Tray Panel Lens	See Contrast table (2)
			58	Screw	BPZ30P250FTC
26	Rubber Foot	VEB1349	59	Screw	PBZ30P080FTC
27	Radiation Sheet	VEB1360	60	Screw	AMZ30P060FTC
28	Rubber Spacer	VEB1370			
NSP 29	PC Support	VEC1749	61	Screw	BBZ30P040FTC
30	Heatsink Cushion	VEC2363	62	Screw	BCZ40P060FNI
			63	Screw	BPZ30P080FTC
31	Gasket Sheet	VEC2394	64	Screw	BBZ30P060FTC
32	Spacer	VEC2413	65	#6-32 Screw	DBA1125
NSP 33	Clamp	VEC2418			

(2) CONTRAST TABLE

DVR-520H-S/KU/CA, KUXU/CA and DVR-65H/KCXU are constructed the same except for the following :

Mark	No.	Symbol and Description	DVR-520H-S /KU/CA	DVR-520H-S /KUXU/CA	DVR-65H-S /KCXU
	10	HDD 80G 4R080L0 SV	VXF1010	VXF1010	Not used
	10	HDD 160G 4R160L0 SV	Not used	Not used	VXF1028
	13	Ferrite Core	VTH1051	VTH1050	VTH1050
	15	Flexible Cable (8P)	VDA2011	VDA1997	VDA1997
	16	Flexible Cable (24P)	VDA2012	VDA1998	VDA1998
	17	Flexible Cable (32P)	VDA2013	VDA1999	VDA1999
	18	Flexible Cable (7P)	VDA2014	VDA2000	VDA2000
	19	Flexible Cable (13P)	VDA2015	VDA2001	VDA2001
	20	Flexible Cable (40P)	VDA2034	VDA2032	VDA2032
	21	Shield Flexible Cable (40P)	VDA2033	VDA2031	VDA2031
	22	Housing Assy (4P)	VKP2330	VKP2327	VKP2327
	23	Housing Assy (2P)	VKP2332	VKP2315	VKP2315

1

2

3

4

Mark	No.	Symbol and Description	DVR-520H-S /KU/CA	DVR-520H-S /KUXU/CA	DVR-65H-S /KCXU
A	24	Housing Assy (4P)	VKP2348	VKP2335	VKP2335
	49	HDD Badge	VAM1141	VAM1141	Not used
	50	Tray Sheet B	VEC2409	VEC2409	Not used
	50	Tray Sheet	Not used	Not used	VEC2448
	51	Tray Panel	VNK5421	VNK5421	Not used
	54	Rear Panel	VNA2704	VNA2704	VNA2737
	56	Tray Panel Base	Not used	Not used	VNK5432
	57	Tray Panel Lens	Not used	Not used	VNK5592

B

C

D

E

F

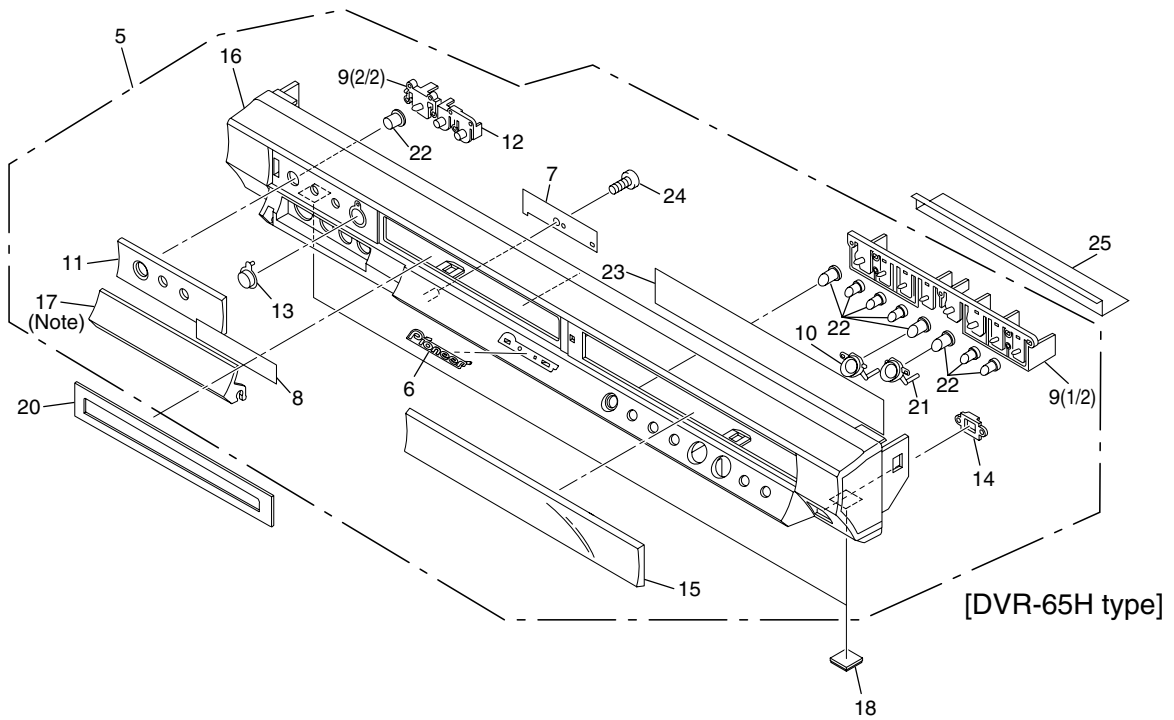
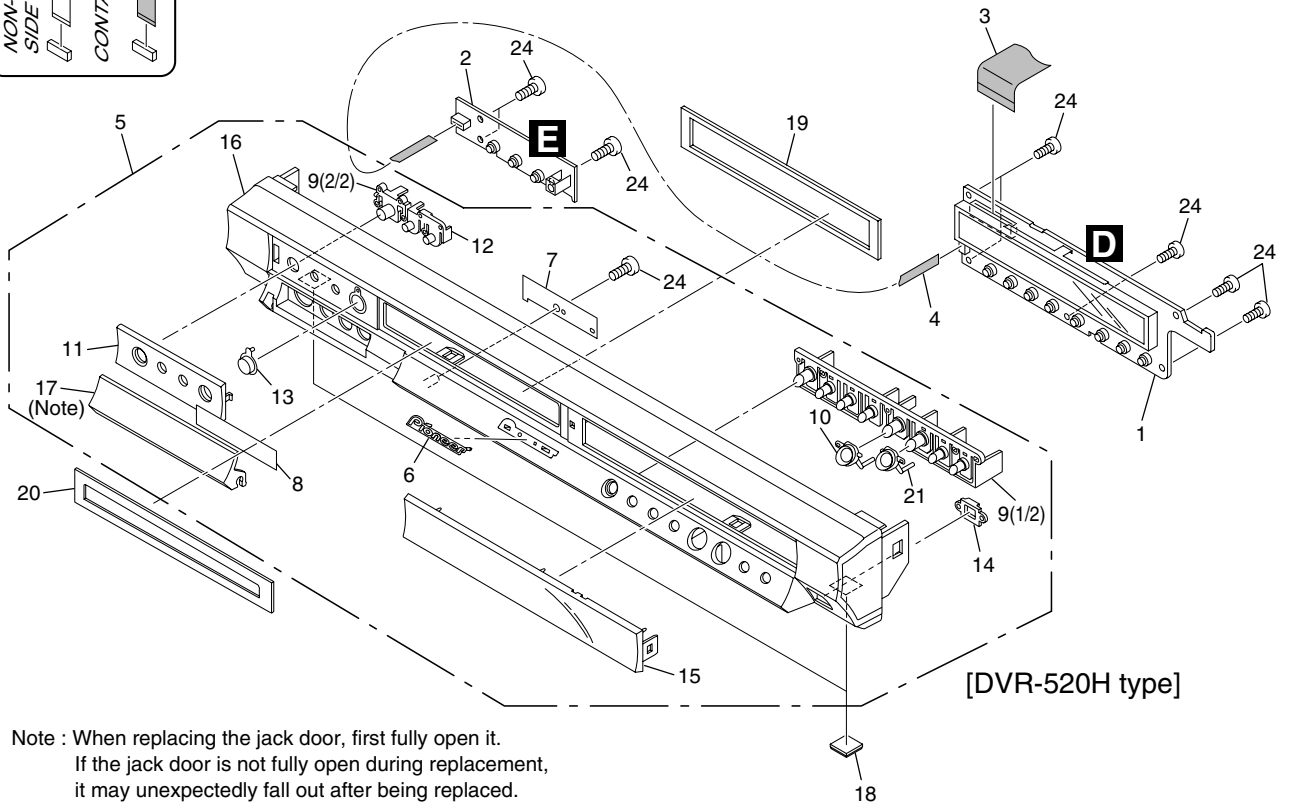
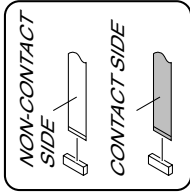
1

2

3

4

2.3 FRONT PANEL



FRONT PANEL parts List

	<u>Mark No.</u>	<u>Description</u>	<u>Part No.</u>	<u>Mark No.</u>	<u>Description</u>	<u>Part No.</u>	
A	1	FLKY Assy	VWG2489	NSP 14	DV Cover	VNK5451	
	2	KIRB Assy	VWG2493	NSP 15	FL Lens	See Contrast table (2)	
	3	Flexible Cable (19P)	See Contrast table (2)	NSP 16	Front Panel	See Contrast table (2)	
	4	Flexible Cable (7P)	See Contrast table (2)		17	Jack Door	VNK5494
	5	Front Panel Assy	See Contrast table (2)		18	Rubber Foot	VEB1349
	6	Pioneer Name Plate	See Contrast table (2)	19	Drive Sheet	VEC2345	
	7	Door Spring	VBK1151	20	Panel Sheet	See Contrast table (2)	
	NSP 8	Mirror Sheet	VHL1082	NSP 21	Copy Ring	VNK5523	
	NSP 9	Main Key	See Contrast table (2)	NSP 22	Cap	See Contrast table (2)	
	NSP 10	REC Ring	VNK5425	23	FL Filter	See Contrast table (2)	
B	NSP 11	Sub Panel	See Contrast table (2)	24	Screw	BPZ30P080FTC	
	NSP 12	Power Key	VNK5480	25	Sheet S	See Contrast table (2)	
	NSP 13	IR Window	See Contrast table (2)				

(2) CONTRAST TABLE

DVR-520H-S/KU/CA, KUXU/CA and DVR-65H/KCXU are constructed the same except for the following :

Mark	No.	Symbol and Description	DVR-520H-S /KU/CA	DVR-520H-S /KUXU/CA	DVR-65H-S /KCXU
C	3	Flexible Cable (19P)	VDA2016	VDA2002	VDA2002
	4	Flexible Cable (7P)	VDA2019	VDA2005	VDA2005
	5	Front Panel Assy	VXA2645	VXA2645	VXA2649
	6	Pioneer Name Plate	VAM1146	VAM1146	VAM1147
	NSP 9	Main Key	VNK5420	VNK5420	VNK5436
	NSP 11	Sub Panel	VNK5483	VNK5483	VNK5526
NSP 13	IR Window	VNK5423	VNK5423	Not used	
NSP 15	FL Lens	VNK5422	VNK5422	VNK5593	
NSP 16	Front Panel	VNK5441	VNK5441	VNK5527	
	20	Panel Sheet	VEC2446	VEC2446	Not used
D	NSP 22	Cap	Not used	Not used	VNK5437
	23	FL Filter	Not used	Not used	VEC2421
	25	Sheet S	Not used	Not used	VEC2426