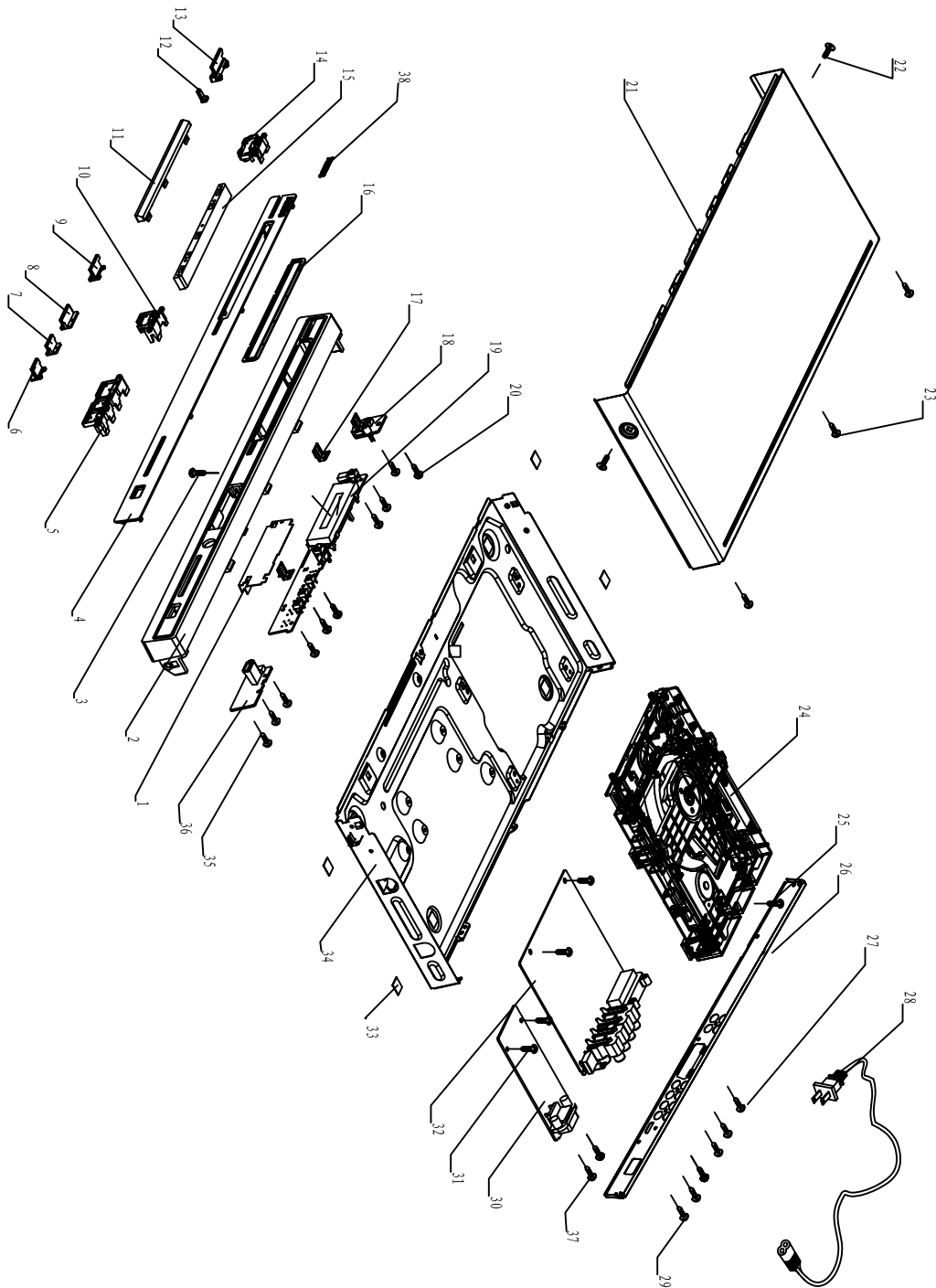


## DVP5980/XX,DVP5982/XX Mechanical Exploded View



## Remark:

Ass'y1 is the assemble component for location 2,4,5,6,7,8,9,10,12,13,14,16,38

Ass'y2 is the assemble compoient for location 11,15

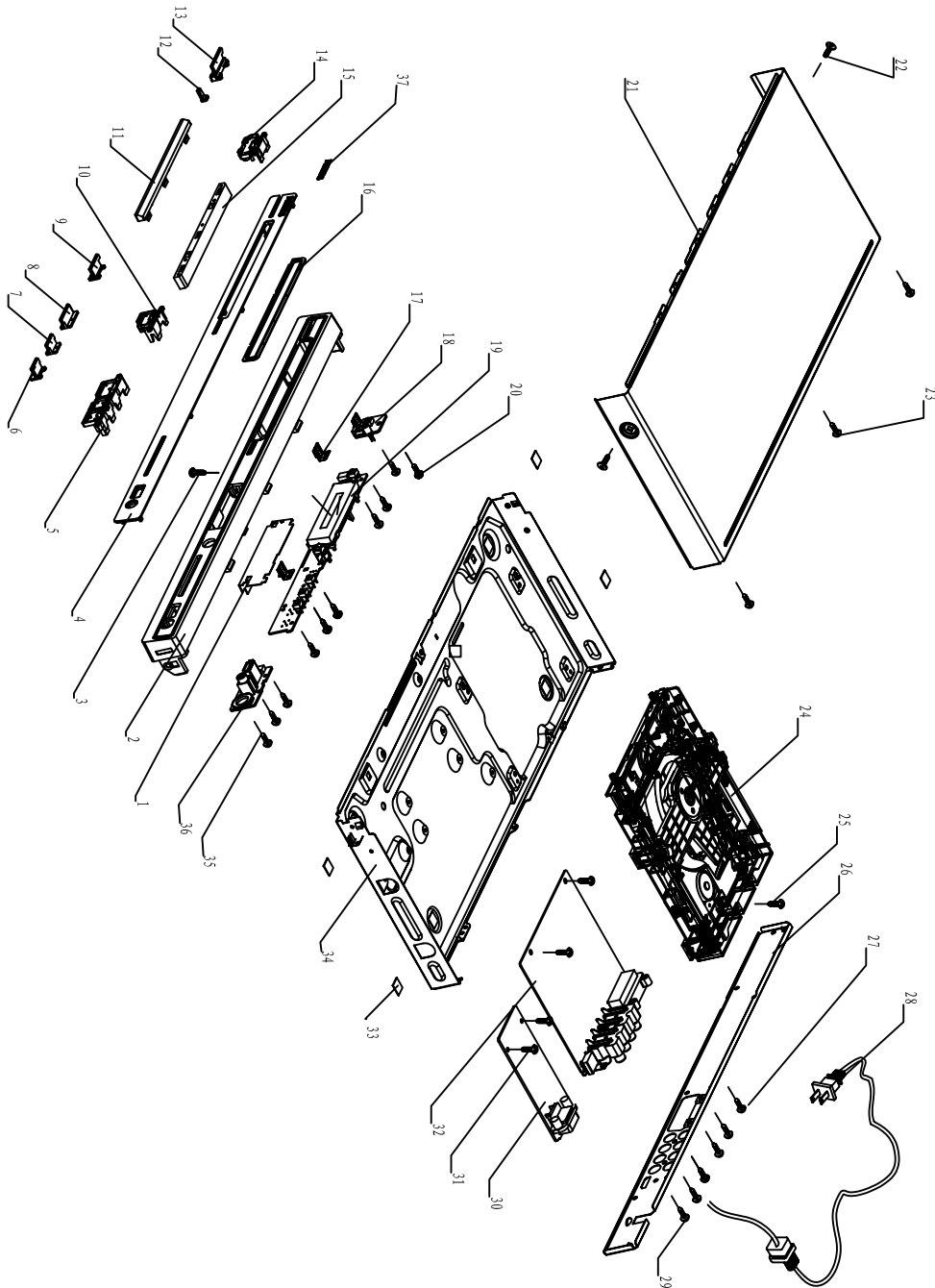
It's a general Mechanical Exploded View for DVP5980/XX,DVP5982/XX, Detailed information please refer to Model set.

**ENCASING & ACCESSORIES PARTS LIST****SCREW LIST**

No	12NC No.	Part Name	Q'ty	No	12NC No.	Part Name	Q'ty
1	/	ESD Plate	1	3	/	Machine Screw	1
Ass'y1	/	Front Panel Ass'y for DVP5980/05/12	1	20	/	S/T Screw B 2.6 X 8 BF	7
	/	Front Panel Ass'y for DVP5982/37		22	/	Machine Screw	2
Ass'y2	/	Front Door Ass'y for DVP5980/05/12	1	23	/	Machine Screw	3
	/	Front Door Ass'y for DVP5982/37		25	/	Machine Screw	1
17	/	Earthing Plate	1	27	/	Machine Screw	2
18	/	Ass'y-Switch Board	1	29	/	Machine Screw	1
				31	/	Machine Screw	5
19	/	Ass'y- Front Board	1	35	/	Triangle M/C Screw B 3 X 6	2
21	/	Top cover	1	37	/	S/T SCREW B 3 X 8 BF	2
24	/	Loader	1				
26	/	Rear Cabinet for DVP5980/05/12	1				
	/	Rear Cabinet for DVP5982/37					
28	/	Power Cord for DVP5980/05	1				
	/	Power Cord for DVP5980/12					
	/	Power Cord for DVP5982/37					
30	/	Ass'y-Power Board for DVP5980/05/12	1				
	/	Ass'y-Power Board for DVP5982/37					
32	/	Ass'y-Main Board for DVP5980/05/12	1				
	/	Ass'y-Main Board for DVP5982/37					
33	/	Pad	4				
34	/	Bottom Cabinet	1				
36	/	Ass'y -USB Board	1				

Note: Only the parts mentioned in this list are normal service spare parts

## DVP5980K/XX Mechanical Exploded View



## Remark:

Ass'y1 is the assemble component for location 2,4,5,6,7,8,9,10,12,13,14,16,38

Ass'y2 is the assemble compoient for location 11,15

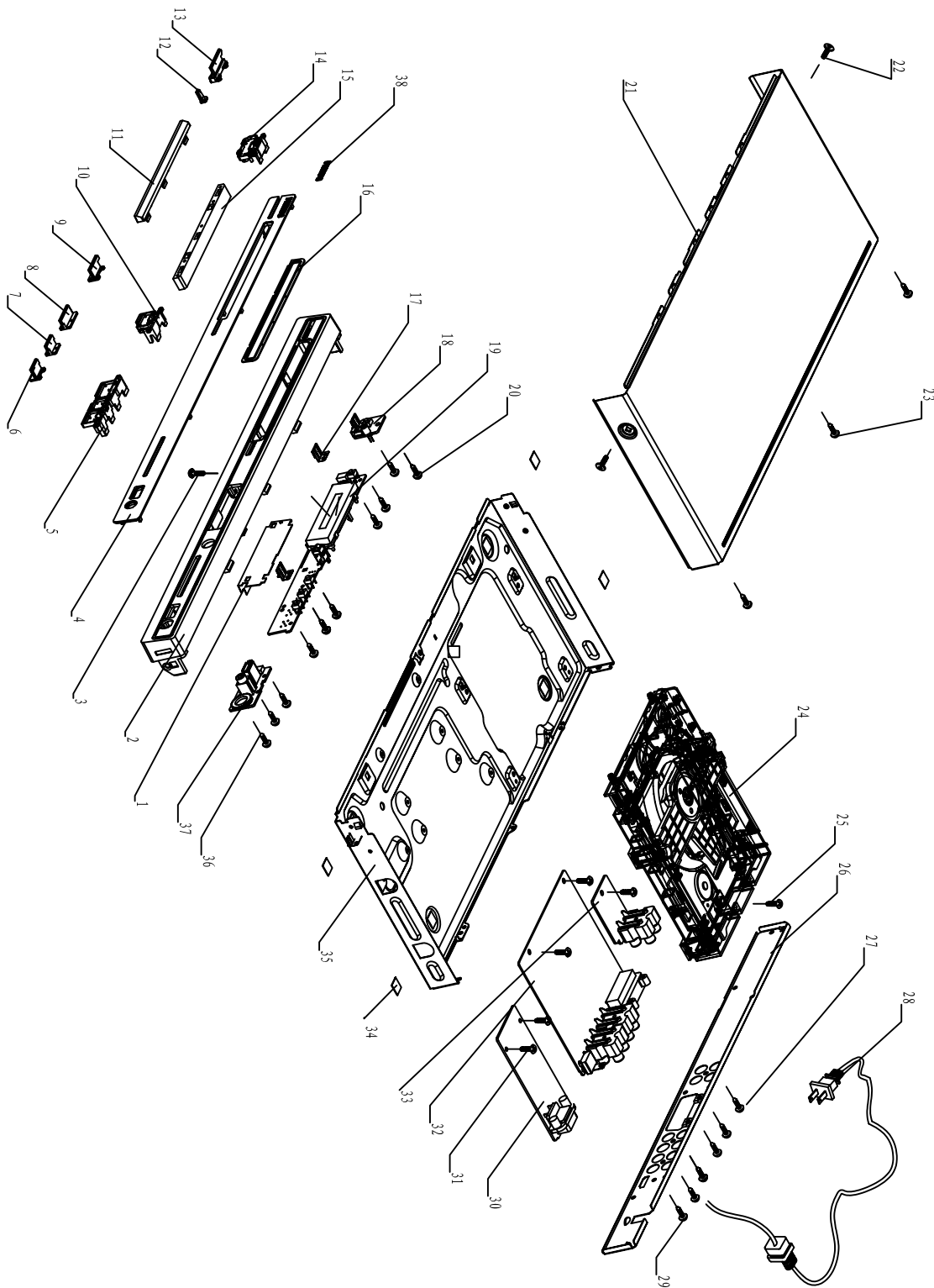
It's a general Mechanical Exploded View for DVP5980K/XX, Detailed information please refer to Model set.

**ENCASING & ACCESSORIES PARTS LIST****SCREW LIST**

No	12NC No.	Part Name	Q'ty	No	12NC No.	Part Name	Q'ty
1	/	ESD Plate	1	3	/	Machine Screw	1
Ass'y1	996510002165	Front Panel Ass'y	1	20	/	S/T Screw B 2.6 X 8 BF	7
Ass'y2	996510002164	Front Doorl Ass'y	1	22	/	Machine Screw	2
17	/	Earthing Plate	1	23	/	Machine Screw	3
18	996510001860	Ass'y-Switch Board	1	25	/	Machine Screw	1
19	996510001861	Ass'y- Front Board	1	27	/	Machine Screw	2
21	/	Top cover	1	29	/	Machine Screw	1
24	996510001864	Loader	1	31	/	Machine Screw	5
26	/	Rear Cabinet for DVP5980K/55	1	35	/	Triangle M/C Screw B 3 X 6	3
	/	Rear Cabinet for DVP5980K/75					
28	/	Power Cord for DVP5980K/55	1	<b>Accessory</b>			
	996510002166	Power Cord for DVP5980K/75		AVCAB	996510001106	VIDEO CABLE 1500mm	1
30	/	Power Board for DVP5980K/55	1	RC	996510001865	REMOTE CONTROL	1
	996510001859	Power Board for DVP5980K/75		<b>Cable</b>			
32	996510002163	Main Board for DVP5980K/55	1	CN2	996510001192	PH-5Y/PH-5Y L=130MM	1
33	/	Pad	4	J2	996510001222	HS 6P PH-6Y/PH-6Y	1
34	/	Bottom Cabinet	1	HA1	996510001108	24PIN FLAT WIRE	1
36	996510001863	Ass'y USB+OK Board	1	CON302	996510001868	CABLE HS 4P UL20080#28 160MM	1
				CON301	996510001867	CABLE HS PH-12Y/JC20-12P	1
				CN601	996510001866	CABLE 8P HS	1
				CON2	996510000546	8PIN HS	1

Note: Only the parts mentioned in this list are normal service spare parts

## DVP5986K/XX Mechanical Exploded View



## Remark:

Ass'y1 is the assemble component for location 2,4,5,6,7,8,9,10,12,13,14,16,38

Ass'y2 is the assemble compoient for location 11,15

It's a general Mechanical Exploded View for DVP5986K/XX, Detailed information please refer to Model set.

**ENCASING & ACCESSORIES PARTS LIST****SCREW LIST**

No	12NC No.	Part Name	Q'ty	No	12NC No.	Part Name	Q'ty
1	/	ESD Plate	1	3	/	Machine Screw	1
Ass'y1	/	Front Panel Ass'y	1	20	/	S/T Screw B 2.6 X 8 BF	7
Ass'y2	/	Front Door Ass'y	1	22	/	Machine Screw	2
17	/	Earthing Plate	1	23	/	Machine Screw	3
18	/	Ass'y-Switch Board	1	25	/	Machine Screw	1
19	/	Ass'y- Front Board	1	27	/	Machine Screw	2
21	/	Top cover	1	29	/	Machine Screw	1
24	/	Loader	1	31	/	Machine Screw	5
26	/	Rear Cabinet for DVP5986K/98	1	36	/	Triangle M/C Screw B 3 X 6	3
	/	Rear Cabinet for DVP5986K/93					
	/	Rear Cabinet for DVP5986K/51					
28	/	Power Cord for DVP5986K/98	1				
	/	Power Cord for DVP5986K/93					
	/	Power Cord for DVP5986K/51					
30	/	Ass'y-Power Board for DVP5986K/51/93	1				
	/	Ass'y-Power Board for DVP5986K/98					
32	/	Ass'y-Main Board	1				
33	/	Ass'y-AV Board	1				
34	/	Pad	4				
35	/	Bottom Cabinet	1				
37	/	Ass'y USB+OK Board	1				

Note: Only the parts mentioned in this list are normal service spare parts