
5. Exploded View and Parts List

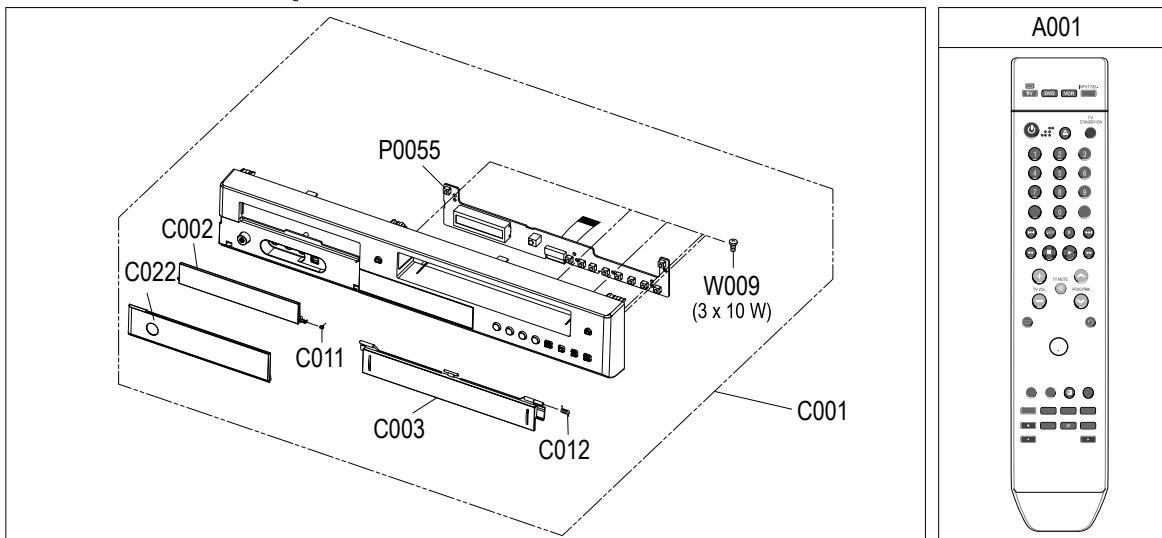
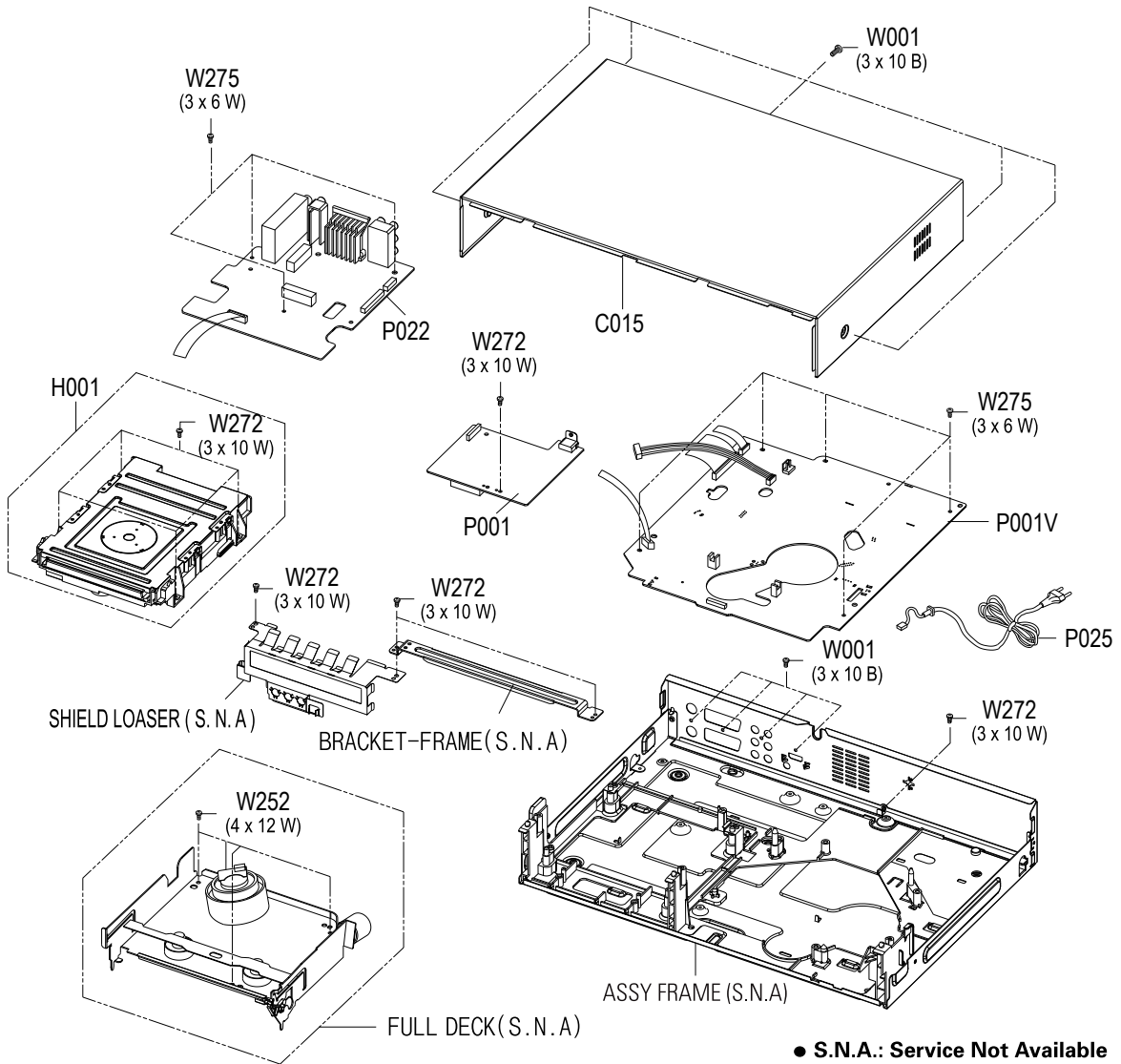
5-1 Cabinet Assembly----- 5-2

5-2 VCR Mechanical Parts (Top Side)----- 5-4

5-3 VCR Mechanical Parts (Bottom Side)----- 5-6

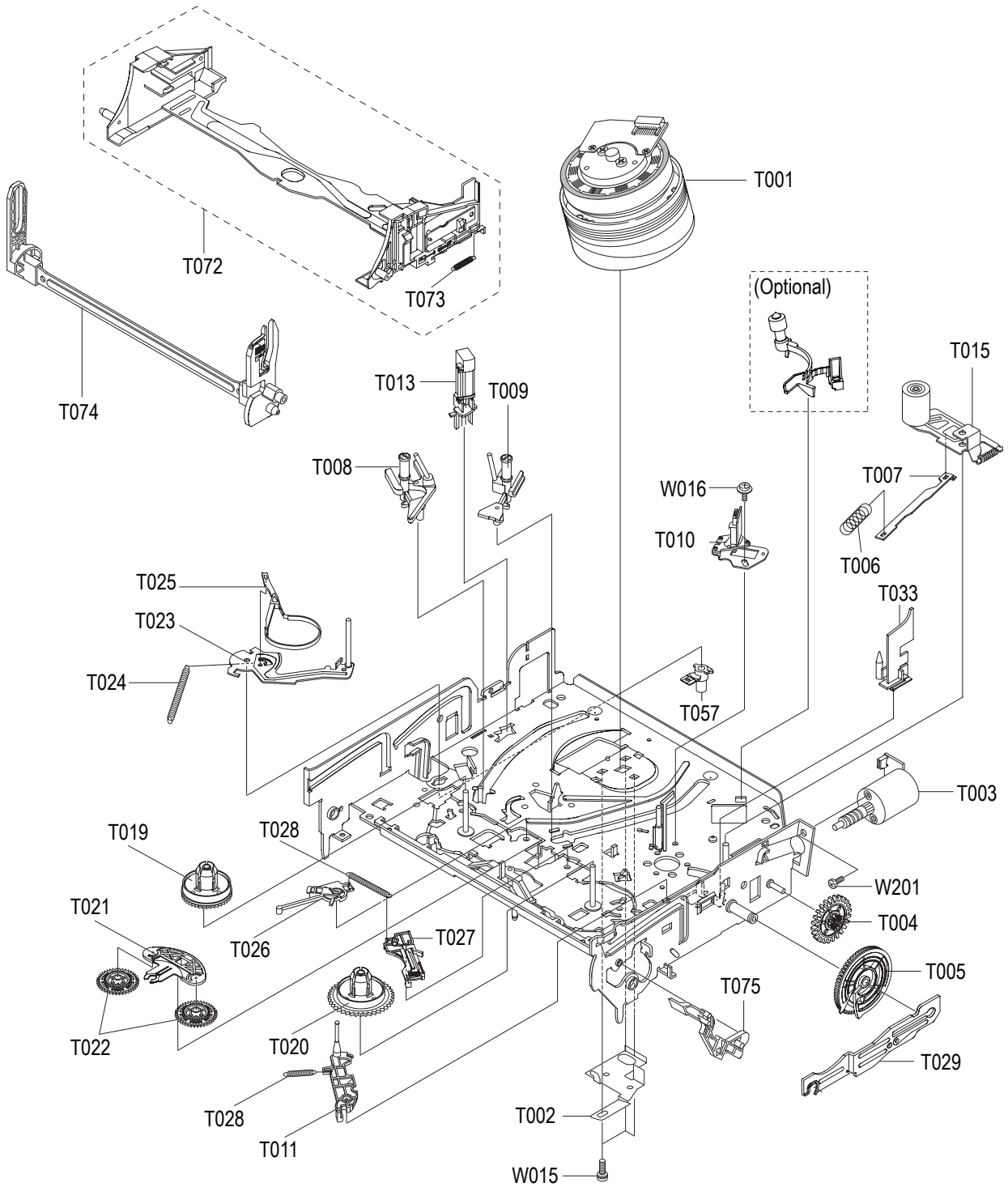
5-4 Electrical Parts List----- 5-8

5-1 Cabinet Assembly



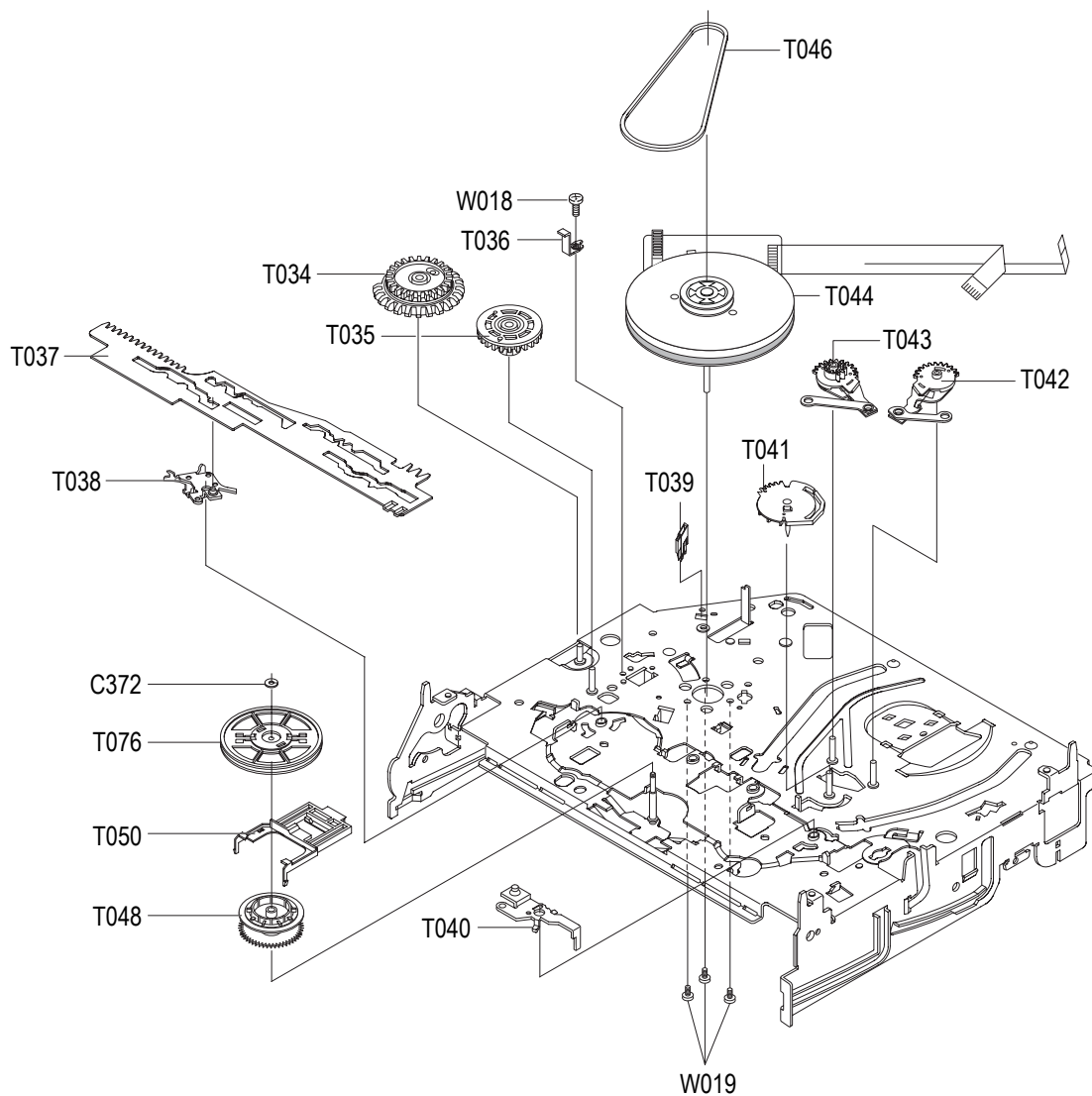
Loc. No	Parts No.	Description ; Specification	Q ty	SNA	Remark
A001	AK59-00084C	REMOCON-ASSY;DVD-VR375/XEF,SEC,217.	1	SA	
C001	AK97-02221G	ASSY-PANEL FRONT;HIPS94HB,DVD-VR370	1	SA	
C002	AK64-02233B	DOOR-TRAY;DVD-VR370/XEF,ABS94HB,T2.	1	SA	
C003	AK64-02234B	DOOR-CASSETTE;DVD-VR475M/XEU,ABS94H	1	SA	
C011	AK64-00334A	DOOR-SPRING;DVD-V3500,SWPB,,,,,-,,-	1	SA	
C012	AC61-62032A	SPRING ETC-MASK;SV-C130,SUS,4.4,-,-	1	SA	
C015	AK64-01480C	CABINET-TOP;DVD-VR375,EV152,T0.5,W4	1	SA	
C022	AK64-02235A	DOOR-FRONT;DVD-VR370,ABS94HB,T2.3,H	1	SA	
H001	AK97-02291A	ASSY-LOADER;-;DVD-VR375,TS-P632D/SD	1	SA	
P001	AK92-01559F	ASSY PCB-MAIN;DVD-VR370/XEF,ATT,COM	1	SA	
P001V	AK92-01689J	ASSY PCB-VCR;DVD-VR370/XEG,XET,PAL,	1	SA	
P0055	AK92-01688A	ASSY PCB-FUNCTION;DVD-VR375,FUNCTIO	1	SA	
P022	AK92-01691B	ASSY PCB-JACK;DVD-VR375/XEU,XEG,SCA	1	SA	
P025	3903-000176	CBF-POWER CORD;AT,EU,CP2,HOUSING(2P	1	SA	
W001	6003-000275	SCREW-TAPTITE;BH,+,-,B,M3,L10,ZPC(B	9	SA	
W009	6003-000276	SCREW-TAPTITE;BH,+,-,B,M3,L10,ZPC(W	5	SA	
W252	AC60-12126A	SCREW-MACHINE;TH,+,-,M4,L12,ZPC(WHT	4	SC	
W272	6003-001464	SCREW-TAPTITE;BH,+,-,B,M3,L10,ZPC(WHT	19	SA	
W275	6003-001561	SCREW-TAPTITE;BH,+,-,B,M3,L6,ZPC(WH	8	SA	

5-2 VCR Mechanical Parts (Top Side)



Loc. No	Parts No.	Description ; Specification	Q ty	SNA	Remark
T001	AC97-02626A	ASSY-CYLINDER;6SS,CX13A-MIRIO,SECAM	1	SA	
T002	AC61-00391A	PLATE-GROUND DECK;X-13,SPTE,T0.3,-,	1	SA	
T003	AC31-00018A	MOTOR-LOADING ASSY;-;SCORPIO2(TS-10	1	SA	
T004	AC66-00101A	GEAR-WORM WHEEL;X-13,POM(M90-44 EQU	1	SA	
T005	AC66-00102A	GEAR-FL CAM;X-13,POM(M90-44 EQU),-,	1	SA	
T006	AC61-00105A	SPRING ETC-PINCH DRIVE;TS-10,SUS304	1	SA	
T007	AC61-00390A	PLATE-JOINT;X-13,SECC 20/20,T0.8,-,	1	SA	
T008	AC97-02570A	ASSY-SLIDER SUPPLY;(PPS),X-13,-	1	SA	
T009	AC97-02556A	ASSY-SLIDER TAKE UP;-;X-13,-	1	SA	
T010	AC97-02625A	ASSY-HEAD A/C;-;X-13A,-	1	SA	
T011	AC66-00094A	LEVER-9 GUIDE;X-13,PPS;-;-;-;BROW	1	SA	
T013	AC33-00018A	HEAD-FULL ERASE;-;X-13,-,-	1	SA	
T015	AC97-02620A	ASSY-UNIT PINCH;-;X-13A,-	1	SA	
T019	AC66-00124A	REEL-S;X-13,POM,-,BLK,2.5,-,27,-	1	SA	
T020	AC66-00123A	REEL-T;X-13,POM,-,BLK,2.5,-,36.5,-	1	SA	
T021	AC66-00115A	LEVER-IDLE;X-13,POM,T15,W38,L25,-,N	1	SA	
T022	AC66-00114A	GEAR-IDLE;X-13,PET,0.5,54,27,NAT,27	2	SA	
T023	AC97-02562A	ASSY-LEVER TENSION;-;X-13,-	1	SA	
T024	AC61-00107A	SPRING ETC-TENSION LEVER;TS-10,SUS3	1	SA	
T025	AC97-02560A	ASSY-BAND BRAKE;-;X-13,-	1	SA	
T026	AC97-02567A	ASSY-LEVER BRAKE S;-;X-13,-	1	SA	
T027	AC97-02568A	ASSY-LEVER BRAKE T;-;X-13,-	1	SA	
T028	AC61-00106A	SPRING ETC-BRAKE;TS-10,SUS304-WPB,-	2	SA	
T029	AC66-00104A	SLIDER-FL DRIVE;X-13,SECC,T1.0,W15,	1	SA	
T033	AC61-00388A	GUIDE-CASS DOOR;X-13,POM(M90-44 EQU	1	SA	
T057	AC61-00386A	SLEEVE-TENSION;X-13,-,-,2.5,-,-,N	1	SA	
T072	AC97-02622A	ASSY-HOLDER CASSETTE;SECC+POM+SUS,X	1	SA	
T073	AC61-00397A	SPRING ETC-LOCK;X-13,SWP-B,0.25,2.6	1	SA	
T074	AC97-02564A	ASSY-LEVER ARM;-;X-13,-	1	SA	
T075	AC66-00108A	LEVER-DOOR;X-13,POM,-,W30,L75,-,NAT	1	SA	
W015	6006-001092	SCREW-MACHINE;PH,+;WS,M3.0,L6.0,ZPC	3	SA	
W016	6006-001154	SCREW-TAPTITE;PH,+;WSP,B,M2.6,L5.6,	1	SA	
W201	6001-001711	SCREW-MACHINE;PH,+;-;M3,L3.3,ZPC(WH	1	SA	

5-3 VCR Mechanical Parts (Bottom Side)



Loc. No	Parts No.	Description ; Specification	Q ty	SNA	Remark
C372	AC60-30306A	FASTENER-WASHER SLIT;-,-,ID2.1,OD5.	1	SA	
T034	AC66-00103A	GEAR-JOINT 1;X-13,POM(M90-44 EQU),-	1	SA	
T035	AC66-00077A	GEAR-JOINT 2;X-11,POM(K300),-,-,-,B	1	SA	
T036	AC61-00389A	BRACKET-GEAR;X-13,SECC 20/20,T0.8,-	1	SA	
T037	AC66-00092A	SLIDER-CAM;X-13,SECC 20/20,T1.2,-,-	1	SA	
T038	AC66-00099A	LEVER-PINCH DRIVE;X-13,SECC 20/20,T	1	SA	
T039	AC70-00003A	HOOK-CAPSTAN;-,-,L10,W10,H10,POM(M9	1	SA	
T040	AC66-00100A	LEVER-TENSION DRIVE;X-13,SECC 20/20	1	SA	
T041	AC66-00078A	GEAR-LOADING DRIVE;X-11,POM(K300),-	1	SA	
T042	AC97-02557A	ASSY-LEVER LOADING S;-,-,X-13,-	1	SA	
T043	AC97-02558A	ASSY-LEVER LOADING T;-,-,X-13,-	1	SA	
T044	3101-001427	MOTOR-CAPSTAN;0rpm,0g.cm,12V,90mA	1	SA	
T046	AC66-60051A	BELT-PULLEY;-,-5CM-70,2 * 2,-,-,71.3,-	1	SA	
T048	AC97-02566A	ASSY-GEAR CENTER;-,-,X-13,-	1	SA	
T050	AC66-00111A	LEVER-UP DOWN;X-13,POM,T15,E25,L55,	1	SA	
T076	AC97-02569A	ASSY-CLUTCH;-,-,X-13,-	1	SA	
W018	6003-001450	SCREW-TAPTITE;PH,+,-,S,M2.6,L5,ZPC(1	SA	
W019	6003-000108	SCREW-TAPTITE;BH,+,-,B,M2.6,L6,ZPC(YE	3	SA	

5-4 Electrical Parts List

Loc.No	Parts No.	Description : Specification	Q'ty	S.N.A	Remark	Loc.No	Parts No.	Description : Specification	Q'ty	S.N.A	Remark
P001	AK92-01559F	ASSY PCB-MAIN,DVD-VR370/XEF,ATT,COM	1	SA		AVE05	2402-000179	C-AL,SMD;47uF,20%,16V,GP,TP,6.6x6.6	1	SA	
AVC01	2203-005061	C-CER,CHIP;100nF,+80-20%,16V,Y5V,10	1	SA		AVE06	2402-000179	C-AL,SMD;47uF,20%,16V,GP,TP,6.6x6.6	1	SA	
AVC02	2203-005571	C-CER,CHIP;1000nF,+80-20%,6.3V,Y5V	1	SA		AVE09	2402-001042	C-AL,SMD;100uF,20%,16V,GP,TP,6.6x6.6	1	SA	
AVC03	2203-005061	C-CER,CHIP;100nF,+80-20%,16V,Y5V,10	1	SA		AVIC1	1204-002726	IC-VIDEO DECODER;SAA7138GHL,LQFP,12	1	SA	
AVC04	2203-001652	C-CER,CHIP;470nF,+80-20%,16V,Y5V,16	1	SA		AVR01	3301-000353	BEAD-SMD;120ohm,2x1.25x0.9mm,-,TP,-	1	SA	
AVC05	2203-001652	C-CER,CHIP;470nF,+80-20%,16V,Y5V,16	1	SA		AVR02	3301-001419	BEAD-SMD;220ohm,1608,TP,133ohm/70MH	1	SA	
AVC06	2203-005061	C-CER,CHIP;100nF,+80-20%,16V,Y5V,10	1	SA		AVR03	3301-001419	BEAD-SMD;220ohm,1608,TP,133ohm/70MH	1	SA	
AVC07	2203-006093	C-CER,CHIP;1000nF,+80-20%,6.3V,Y5V,	1	SA		AVR04	2007-000138	R-CHIP;100ohm,5%,1/16W,TP,1005	1	SA	
AVC08	2203-006093	C-CER,CHIP;1000nF,+80-20%,6.3V,Y5V,	1	SA		AVR05	2007-003112	R-CHIP;27ohm,5%,1/16W,TP,1005	1	SA	
AVC10	2203-006093	C-CER,CHIP;1000nF,+80-20%,6.3V,Y5V,	1	SA		AVR07	2007-003112	R-CHIP;27ohm,5%,1/16W,TP,1005	1	SA	
AVC11	2203-006093	C-CER,CHIP;1000nF,+80-20%,6.3V,Y5V,	1	SA		AVR08	2007-003112	R-CHIP;27ohm,5%,1/16W,TP,1005	1	SA	
AVC12	2203-006093	C-CER,CHIP;1000nF,+80-20%,6.3V,Y5V,	1	SA		AVR09	2007-003112	R-CHIP;27ohm,5%,1/16W,TP,1005	1	SA	
AVC13	2203-005061	C-CER,CHIP;100nF,+80-20%,16V,Y5V,10	1	SA		AVR10	2007-003112	R-CHIP;27ohm,5%,1/16W,TP,1005	1	SA	
AVC14	2203-005061	C-CER,CHIP;100nF,+80-20%,16V,Y5V,10	1	SA		AVR12	2007-000174	R-CHIP;47ohm,5%,1/16W,TP,1005	1	SA	
AVC15	2203-001405	C-CER,CHIP;22nF,+80-20%,25V,Y5V,100	1	SA		AVR13	2007-000174	R-CHIP;47ohm,5%,1/16W,TP,1005	1	SA	
AVC16	2203-005061	C-CER,CHIP;100nF,+80-20%,16V,Y5V,10	1	SA		AVR14	2007-000174	R-CHIP;47ohm,5%,1/16W,TP,1005	1	SA	
AVC17	2203-005061	C-CER,CHIP;100nF,+80-20%,16V,Y5V,10	1	SA		AVR15	2007-000174	R-CHIP;47ohm,5%,1/16W,TP,1005	1	SA	
AVC18	2203-001405	C-CER,CHIP;22nF,+80-20%,25V,Y5V,100	1	SA		AVR16	2007-000174	R-CHIP;47ohm,5%,1/16W,TP,1005	1	SA	
AVC19	2203-005061	C-CER,CHIP;100nF,+80-20%,16V,Y5V,10	1	SA		AVR17	2007-000174	R-CHIP;47ohm,5%,1/16W,TP,1005	1	SA	
AVC20	2203-005571	C-CER,CHIP;1000nF,+80-20%,6.3V,Y5V	1	SA		AVR18	2007-003112	R-CHIP;27ohm,5%,1/16W,TP,1005	1	SA	
AVC21	2203-005061	C-CER,CHIP;100nF,+80-20%,16V,Y5V,10	1	SA		AVR19	3301-001419	BEAD-SMD;220ohm,1608,TP,133ohm/70MH	1	SA	
AVC22	2203-005061	C-CER,CHIP;100nF,+80-20%,16V,Y5V,10	1	SA		AVR20	2007-000173	R-CHIP;22ohm,5%,1/16W,TP,1005	1	SA	
AVC23	2203-005061	C-CER,CHIP;100nF,+80-20%,16V,Y5V,10	1	SA		AVR21	2007-000173	R-CHIP;22ohm,5%,1/16W,TP,1005	1	SA	
AVC24	2203-001405	C-CER,CHIP;22nF,+80-20%,25V,Y5V,100	1	SA		AVR22	2007-003013	R-CHIP;2.4Kohm,5%,1/16W,TP,1005	1	SA	
AVC25	2203-005061	C-CER,CHIP;100nF,+80-20%,16V,Y5V,10	1	SA		AVR23	2007-000173	R-CHIP;22ohm,5%,1/16W,TP,1005	1	SA	
AVC26	2203-005061	C-CER,CHIP;100nF,+80-20%,16V,Y5V,10	1	SA		AVR24	2007-000173	R-CHIP;22ohm,5%,1/16W,TP,1005	1	SA	
AVC27	2203-005061	C-CER,CHIP;100nF,+80-20%,16V,Y5V,10	1	SA		AVR25	2007-000171	R-CHIP;0ohm,5%,1/16W,TP,1005	1	SA	
AVC28	2203-001405	C-CER,CHIP;22nF,+80-20%,25V,Y5V,100	1	SA		AVR26	2007-000171	R-CHIP;0ohm,5%,1/16W,TP,1005	1	SA	
AVC29	2203-005061	C-CER,CHIP;100nF,+80-20%,16V,Y5V,10	1	SA		AVR27	2007-000173	R-CHIP;22ohm,5%,1/16W,TP,1005	1	SA	
AVC30	2203-005061	C-CER,CHIP;100nF,+80-20%,16V,Y5V,10	1	SA		AVR28	2007-001292	R-CHIP;33ohm,5%,1/16W,TP,1005	1	SA	
AVC31	2203-005061	C-CER,CHIP;100nF,+80-20%,16V,Y5V,10	1	SA		AVR34	2007-001323	R-CHIP;3Kohm,5%,1/16W,TP,1005	1	SA	
AVC32	2203-000386	C-CER,CHIP;0.015nF,5%,50V,C0G,1005	1	SA		AVR38	2007-000138	R-CHIP;100ohm,5%,1/16W,TP,1005	1	SA	
AVC33	2203-000386	C-CER,CHIP;0.015nF,5%,50V,C0G,1005	1	SA		AVR39	2007-000138	R-CHIP;100ohm,5%,1/16W,TP,1005	1	SA	
AVC34	2203-005061	C-CER,CHIP;100nF,+80-20%,16V,Y5V,10	1	SA		AVR40	3301-001419	BEAD-SMD;220ohm,1608,TP,133ohm/70MH	1	SA	
AVC35	2203-006093	C-CER,CHIP;1000nF,+80-20%,6.3V,Y5V,	1	SA		AVR41	2007-000138	R-CHIP;100ohm,5%,1/16W,TP,1005	1	SA	
AVC36	2203-005061	C-CER,CHIP;100nF,+80-20%,16V,Y5V,10	1	SA		AVR42	2007-000143	R-CHIP;4.7Kohm,5%,1/16W,TP,1005	1	SA	
AVC37	2203-005061	C-CER,CHIP;100nF,+80-20%,16V,Y5V,10	1	SA		AVR43	2007-000173	R-CHIP;22ohm,5%,1/16W,TP,1005	1	SA	
AVC38	2203-006093	C-CER,CHIP;1000nF,+80-20%,6.3V,Y5V,	1	SA		AVR44	2007-000173	R-CHIP;22ohm,5%,1/16W,TP,1005	1	SA	
AVC39	2203-006093	C-CER,CHIP;1000nF,+80-20%,6.3V,Y5V,	1	SA		AVR45	2007-000174	R-CHIP;47ohm,5%,1/16W,TP,1005	1	SA	
AVC42	2203-005571	C-CER,CHIP;1000nF,+80-20%,6.3V,Y5V	1	SA		AVR46	2007-001323	R-CHIP;3Kohm,5%,1/16W,TP,1005	1	SA	
AVC43	2203-005571	C-CER,CHIP;1000nF,+80-20%,6.3V,Y5V	1	SA		AVR47	2007-001323	R-CHIP;3Kohm,5%,1/16W,TP,1005	1	SA	
AVC44	2203-005571	C-CER,CHIP;1000nF,+80-20%,6.3V,Y5V	1	SA		AVR48	2007-001323	R-CHIP;3Kohm,5%,1/16W,TP,1005	1	SA	
AVC45	2203-005571	C-CER,CHIP;1000nF,+80-20%,6.3V,Y5V	1	SA		AVR49	2007-001323	R-CHIP;3Kohm,5%,1/16W,TP,1005	1	SA	
AVC47	2203-001405	C-CER,CHIP;22nF,+80-20%,25V,Y5V,100	1	SA		AVR50	2007-001323	R-CHIP;3Kohm,5%,1/16W,TP,1005	1	SA	
AVC48	2203-006093	C-CER,CHIP;1000nF,+80-20%,6.3V,Y5V,	1	SA		AVR51	2007-000171	R-CHIP;0ohm,5%,1/16W,TP,1005	1	SA	
AVC49	2203-006093	C-CER,CHIP;1000nF,+80-20%,6.3V,Y5V,	1	SA		AVR52	2007-000171	R-CHIP;0ohm,5%,1/16W,TP,1005	1	SA	
AVC50	2203-006093	C-CER,CHIP;1000nF,+80-20%,6.3V,Y5V,	1	SA		AVR53	2007-000171	R-CHIP;0ohm,5%,1/16W,TP,1005	1	SA	
AVC51	2203-006093	C-CER,CHIP;1000nF,+80-20%,6.3V,Y5V,	1	SA		AVR58	2007-000171	R-CHIP;0ohm,5%,1/16W,TP,1005	1	SA	
AVC52	2203-005571	C-CER,CHIP;1000nF,+80-20%,6.3V,Y5V	1	SA		AVR59	2007-000174	R-CHIP;47ohm,5%,1/16W,TP,1005	1	SA	
AVC53	2203-005571	C-CER,CHIP;1000nF,+80-20%,6.3V,Y5V	1	SA		AVR60	2007-003112	R-CHIP;27ohm,5%,1/16W,TP,1005	1	SA	
AVC56	2203-006361	C-CER,CHIP;1000nF,10%,10V,X5R,2012	1	SA		AVR62	2007-001323	R-CHIP;3Kohm,5%,1/16W,TP,1005	1	SA	
AVC57	2203-006361	C-CER,CHIP;1000nF,10%,10V,X5R,2012	1	SA		AVR63	2007-001323	R-CHIP;3Kohm,5%,1/16W,TP,1005	1	SA	
AVE01	2402-001042	C-AL,SMD;100uF,20%,16V,GP,TP,6.6x6.6	1	SA		AVR68	2007-000171	R-CHIP;0ohm,5%,1/16W,TP,1005	1	SA	
AVE02	2402-001042	C-AL,SMD;100uF,20%,16V,GP,TP,6.6x6.6	1	SA		AVR69	2007-000171	R-CHIP;0ohm,5%,1/16W,TP,1005	1	SA	
AVE03	2402-001042	C-AL,SMD;100uF,20%,16V,GP,TP,6.6x6.6	1	SA		AVR71	2007-000142	R-CHIP;2.7Kohm,5%,1/16W,TP,1005	1	SA	
AVE04	2402-001184	C-AL,SMD;47uF,20%,16V,WT,TP,6.6x6.6	1	SA		AVR72	2007-000142	R-CHIP;2.7Kohm,5%,1/16W,TP,1005	1	SA	

Loc.No	Parts No.	Description : Specification	Q'ty	S.N.A	Remark	Loc.No	Parts No.	Description : Specification	Q'ty	S.N.A	Remark
AVR73	2007-000142	R-CHIP;2.7Kohm,5%,1/16W,TP,1005	1	SA		MC424	2203-005061	C-CER,CHIP;100nF,+80-20%,16V,Y5V,10	1	SA	
AVR74	2007-000142	R-CHIP;2.7Kohm,5%,1/16W,TP,1005	1	SA		MC425	2203-005061	C-CER,CHIP;100nF,+80-20%,16V,Y5V,10	1	SA	
AVR75	2007-000142	R-CHIP;2.7Kohm,5%,1/16W,TP,1005	1	SA		MC426	2203-005061	C-CER,CHIP;100nF,+80-20%,16V,Y5V,10	1	SA	
AVR76	2007-000142	R-CHIP;2.7Kohm,5%,1/16W,TP,1005	1	SA		MC427	2203-005061	C-CER,CHIP;100nF,+80-20%,16V,Y5V,10	1	SA	
AVR77	2007-000142	R-CHIP;2.7Kohm,5%,1/16W,TP,1005	1	SA		MC428	2203-005061	C-CER,CHIP;100nF,+80-20%,16V,Y5V,10	1	SA	
AVR78	2007-000142	R-CHIP;2.7Kohm,5%,1/16W,TP,1005	1	SA		MC429	2203-005061	C-CER,CHIP;100nF,+80-20%,16V,Y5V,10	1	SA	
AVRP1	2011-001261	R-NETWORK;33ohm,5%,1/16W,L,CHIP,8P,	1	SA		MC431	2203-000940	C-CER,CHIP;0.47nF,10%,50V,X7R,1005	1	SA	
AVRP2	2011-001261	R-NETWORK;33ohm,5%,1/16W,L,CHIP,8P,	1	SA		MC501	2203-005061	C-CER,CHIP;100nF,+80-20%,16V,Y5V,10	1	SA	
AVXAL	2801-004021	CRYSTAL-SMD;24.576MHz,20ppm,28-AAAN,	1	SA		MC502	2203-005061	C-CER,CHIP;100nF,+80-20%,16V,Y5V,10	1	SA	
CEQ1	0501-000341	TR-SMALL SIGNAL;KSC1623-L,NPN,200mW	1	SA		MC503	2203-005061	C-CER,CHIP;100nF,+80-20%,16V,Y5V,10	1	SA	
CEQ2	0505-000110	FET-SILICON;2N7002,N,60V,115mA,7.5o	1	SA		MC504	2203-005061	C-CER,CHIP;100nF,+80-20%,16V,Y5V,10	1	SA	
CER33	2007-000142	R-CHIP;2.7Kohm,5%,1/16W,TP,1005	1	SA		MC505	2203-005061	C-CER,CHIP;100nF,+80-20%,16V,Y5V,10	1	SA	
CER34	2007-000140	R-CHIP;1Kohm,5%,1/16W,TP,1005	1	SA		MC506	2203-005061	C-CER,CHIP;100nF,+80-20%,16V,Y5V,10	1	SA	
CER35	2007-000152	R-CHIP;20Kohm,5%,1/16W,TP,1005	1	SA		MC507	2203-005061	C-CER,CHIP;100nF,+80-20%,16V,Y5V,10	1	SA	
CON1	3710-002326	SOCKET-BOARD TO BOARD;30P,2R,2mm,SM	1	SA		MC508	2203-005061	C-CER,CHIP;100nF,+80-20%,16V,Y5V,10	1	SA	
CON2	3710-002326	SOCKET-BOARD TO BOARD;30P,2R,2mm,SM	1	SA		MC509	2203-000254	C-CER,CHIP;10nF,10%,16V,X7R,1005	1	SA	
DIC2	1105-001695	IC-DRAM;K4H561638,DDR,256MB,16Mx16B	1	SA		MC601	2203-000254	C-CER,CHIP;10nF,10%,16V,X7R,1005	1	SA	
FB10	3301-001670	BEAD-SMD;60ohm,2012,3000mA,TP,,,0,0	1	SA		MC602	2203-005061	C-CER,CHIP;100nF,+80-20%,16V,Y5V,10	1	SA	
FB11	3301-001670	BEAD-SMD;60ohm,2012,3000mA,TP,,,0,0	1	SA		MC603	2203-000254	C-CER,CHIP;10nF,10%,16V,X7R,1005	1	SA	
FB5	3301-001670	BEAD-SMD;60ohm,2012,3000mA,TP,,,0,0	1	SA		MC604	2203-005061	C-CER,CHIP;100nF,+80-20%,16V,Y5V,10	1	SA	
FB9	3301-001670	BEAD-SMD;60ohm,2012,3000mA,TP,,,0,0	1	SA		MC605	2203-005061	C-CER,CHIP;100nF,+80-20%,16V,Y5V,10	1	SA	
JR01	2007-000033	R-CHIP;0ohm,5%,1/4W,TP,3216	1	SA		MC606	2203-005061	C-CER,CHIP;100nF,+80-20%,16V,Y5V,10	1	SA	
JR02	2007-000033	R-CHIP;0ohm,5%,1/4W,TP,3216	1	SA		MC607	2203-005061	C-CER,CHIP;100nF,+80-20%,16V,Y5V,10	1	SA	
JR03	2007-000033	R-CHIP;0ohm,5%,1/4W,TP,3216	1	SA		MC608	2203-005061	C-CER,CHIP;100nF,+80-20%,16V,Y5V,10	1	SA	
L_CN1	3708-001935	CONNECTOR-FPC/FPC/PIC;40P,0.5mm,SMD	1	SA		MC609	2203-005061	C-CER,CHIP;100nF,+80-20%,16V,Y5V,10	1	SA	
MARP3	2011-001479	R-NETWORK;24ohm,5%,1/16W,L,CHIP,16P	1	SA		MC610	2203-005061	C-CER,CHIP;100nF,+80-20%,16V,Y5V,10	1	SA	
MARP4	2011-001479	R-NETWORK;24ohm,5%,1/16W,L,CHIP,16P	1	SA		MC611	2203-005061	C-CER,CHIP;100nF,+80-20%,16V,Y5V,10	1	SA	
MC101	2203-005061	C-CER,CHIP;100nF,+80-20%,16V,Y5V,10	1	SA		MC612	2203-005061	C-CER,CHIP;100nF,+80-20%,16V,Y5V,10	1	SA	
MC102	2203-005061	C-CER,CHIP;100nF,+80-20%,16V,Y5V,10	1	SA		MC613	2203-005061	C-CER,CHIP;100nF,+80-20%,16V,Y5V,10	1	SA	
MC103	2203-005061	C-CER,CHIP;100nF,+80-20%,16V,Y5V,10	1	SA		ME101	2402-000165	C-AL,SMD;47uF,20%,6.3V,GP,TP,5.3x5.	1	SA	
MC104	2203-005061	C-CER,CHIP;100nF,+80-20%,16V,Y5V,10	1	SA		ME301	2402-001248	C-AL,SMD;220UF,20%,6.3V,-,TP,6X6.6X	1	SA	
MC105	2203-005061	C-CER,CHIP;100nF,+80-20%,16V,Y5V,10	1	SA		ME501	2402-000165	C-AL,SMD;47uF,20%,6.3V,GP,TP,5.3x5.	1	SA	
MC106	2203-005061	C-CER,CHIP;100nF,+80-20%,16V,Y5V,10	1	SA		ME601	2404-001020	C-TA,CHIP;10uF,20%,10V,GP,TP,3216	1	SA	
MC301	2203-005061	C-CER,CHIP;100nF,+80-20%,16V,Y5V,10	1	SA		ME602	2404-001020	C-TA,CHIP;10uF,20%,10V,GP,TP,3216	1	SA	
MC302	2203-000425	C-CER,CHIP;0.018nF,5%,50V,COG,1005	1	SA		ME603	2402-001262	C-AL,SMD;47uF,20%,6.3V,WT,-,5x5.2mm	1	SA	
MC303	2203-000812	C-CER,CHIP;0.033nF,5%,50V,COG,-,1005	1	SA		ME604	2402-001262	C-AL,SMD;47uF,20%,6.3V,WT,-,5x5.2mm	1	SA	
MC304	2203-005061	C-CER,CHIP;100nF,+80-20%,16V,Y5V,10	1	SA		MIC1	1204-002865	IC-ENCODER/DECODER;MS9311-CTG,TFBGA	1	SA	
MC305	2203-005061	C-CER,CHIP;100nF,+80-20%,16V,Y5V,10	1	SA		MIC2	1103-001416	IC-EEPROM;AT24C32CN-SH-T,32Kbit,4Kx	1	SNA	
MC306	2203-005061	C-CER,CHIP;100nF,+80-20%,16V,Y5V,10	1	SA		MIC3	1107-001681	IC-FLASH MEMORY;S29GL032A,32Mbit,4M	1	SNA	
MC307	2203-005061	C-CER,CHIP;100nF,+80-20%,16V,Y5V,10	1	SA		MR303	2007-000143	R-CHIP;4.7Kohm,5%,1/16W,TP,1005	1	SA	
MC308	2203-005061	C-CER,CHIP;100nF,+80-20%,16V,Y5V,10	1	SA		MR304	2007-000143	R-CHIP;4.7Kohm,5%,1/16W,TP,1005	1	SA	
MC309	2203-005061	C-CER,CHIP;100nF,+80-20%,16V,Y5V,10	1	SA		MR306	2007-000141	R-CHIP;2.2Kohm,5%,1/16W,TP,1005	1	SA	
MC310	2203-005061	C-CER,CHIP;100nF,+80-20%,16V,Y5V,10	1	SA		MR307	2007-000141	R-CHIP;2.2Kohm,5%,1/16W,TP,1005	1	SA	
MC311	2203-005061	C-CER,CHIP;100nF,+80-20%,16V,Y5V,10	1	SA		MR308	2007-000141	R-CHIP;2.2Kohm,5%,1/16W,TP,1005	1	SA	
MC312	2203-005061	C-CER,CHIP;100nF,+80-20%,16V,Y5V,10	1	SA		MR309	2007-000141	R-CHIP;2.2Kohm,5%,1/16W,TP,1005	1	SA	
MC401	2203-005061	C-CER,CHIP;100nF,+80-20%,16V,Y5V,10	1	SA		MR310	2007-000141	R-CHIP;2.2Kohm,5%,1/16W,TP,1005	1	SA	
MC402	2203-005061	C-CER,CHIP;100nF,+80-20%,16V,Y5V,10	1	SA		MR311	2007-000140	R-CHIP;1Kohm,5%,1/16W,TP,1005	1	SA	
MC403	2203-005061	C-CER,CHIP;100nF,+80-20%,16V,Y5V,10	1	SA		MR312	2007-000138	R-CHIP;100ohm,5%,1/16W,TP,1005	1	SA	
MC404	2203-005061	C-CER,CHIP;100nF,+80-20%,16V,Y5V,10	1	SA		MR313	2007-000173	R-CHIP;22ohm,5%,1/16W,TP,1005	1	SA	
MC405	2203-005061	C-CER,CHIP;100nF,+80-20%,16V,Y5V,10	1	SA		MR314	2007-000170	R-CHIP;1Mohm,5%,1/16W,TP,1005	1	SA	
MC406	2203-005061	C-CER,CHIP;100nF,+80-20%,16V,Y5V,10	1	SA		MR315	2007-000140	R-CHIP;1Kohm,5%,1/16W,TP,1005	1	SA	
MC407	2203-005061	C-CER,CHIP;100nF,+80-20%,16V,Y5V,10	1	SA		MR316	2007-002796	R-CHIP;510ohm,5%,1/16W,TP,1005	1	SA	
MC408	2203-005061	C-CER,CHIP;100nF,+80-20%,16V,Y5V,10	1	SA		MR317	2007-000242	R-CHIP;1.5Kohm,5%,1/16W,TP,1005	1	SA	
MC409	2203-005061	C-CER,CHIP;100nF,+80-20%,16V,Y5V,10	1	SA		MR318	2007-000242	R-CHIP;1.5Kohm,5%,1/16W,TP,1005	1	SA	
MC410	2203-005061	C-CER,CHIP;100nF,+80-20%,16V,Y5V,10	1	SA		MR319	2007-000242	R-CHIP;1.5Kohm,5%,1/16W,TP,1005	1	SA	
MC411	2203-005061	C-CER,CHIP;100nF,+80-20%,16V,Y5V,10	1	SA		MR320	2007-000148	R-CHIP;10Kohm,5%,1/16W,TP,1005	1	SA	
MC421	2203-005061	C-CER,CHIP;100nF,+80-20%,16V,Y5V,10	1	SA		MR321	2007-000171	R-CHIP;0ohm,5%,1/16W,TP,1005	1	SA	
MC422	2203-005061	C-CER,CHIP;100nF,+80-20%,16V,Y5V,10	1	SA		MR322	2007-000171	R-CHIP;0ohm,5%,1/16W,TP,1005	1	SA	
MC423	2203-005061	C-CER,CHIP;100nF,+80-20%,16V,Y5V,10	1	SA		MR323	2007-000138	R-CHIP;100ohm,5%,1/16W,TP,1005	1	SA	

Loc.No	Parts No.	Description : Specification	Q'ty	S.N.A	Remark	Loc.No	Parts No.	Description : Specification	Q'ty	S.N.A	Remark
C1S31	2401-003390	C-AL;2200uF,20%,16V,LZ,TP,13x31.5,5	1	SA		C3A24	2203-005148	C-CER,CHIP;100nF,10%,16V,X7R,TP,160	1	SA	
C1S32	2401-000385	C-AL;10uF,20%,100V,GP,TP,6.3x11,5	1	SC		C3A29	2203-005148	C-CER,CHIP;100nF,10%,16V,X7R,TP,160	1	SA	
C1S33	2401-000717	C-AL;2200uF,20%,25V,WT,TP,12.5x25,5	1	SA		C3A30	2401-001502	C-AL;47uF,20%,16V,GP,TP,6.3x5,2,5	1	SA	
C1S34	2401-001126	C-AL;330uF,20%,25V,WT,TP,10x12,5,5	1	SA		C3A40	2401-000414	C-AL;10uF,20%,16V,GP,TP,4x7,5	1	SA	
C1S35	2401-003390	C-AL;2200uF,20%,16V,LZ,TP,13x31.5,5	1	SA		C3A41	2401-000588	C-AL;1uF,20%,50V,GP,TP,3x5,2,5	1	SA	
C1S37	2401-001479	C-AL;470uF,20%,10V,GP,TP,6.3*11mm,5	1	SA		C3A70	2203-001126	C-CER,CHIP;0.68nF,10%,50V,X7R,1608	1	SA	
C1S38	2401-003390	C-AL;2200uF,20%,16V,LZ,TP,13x31.5,5	1	SA		C501	2401-000408	C-AL;10uF,20%,16V,GP,TP,3,5x5,2,5	1	SA	
C1S39	2301-000129	C-FILM,LEAD-PEF;100nF,5%,50V,TP,10X	1	SA		C502	2203-005148	C-CER,CHIP;100nF,10%,16V,X7R,TP,160	1	SA	
C1S41	2401-001126	C-AL;330uF,20%,25V,WT,TP,10x12,5,5	1	SA		C503	2401-000909	C-AL;22uF,20%,16V,GP,TP,5x5,2,5	1	SA	
C315	2203-000975	C-CER,CHIP;47nF,10%,25V,X7R,TP,1608	1	SA		C504	2401-000408	C-AL;10uF,20%,16V,GP,TP,3,5x5,2,5	1	SA	
C317	2401-000588	C-AL;1uF,20%,50V,GP,TP,3x5,2,5	1	SA		C505	2401-001249	C-AL;4.7uF,20%,35V,GP,TP,4x5,2,5	1	SA	
C318	2401-000588	C-AL;1uF,20%,50V,GP,TP,3x5,2,5	1	SA		C506	2203-000257	C-CER,CHIP;10nF,10%,50V,X7R,TP,1608	1	SA	
C319	2203-000843	C-CER,CHIP;39nF,10%,25V,X7R,1608	1	SA		C507	2401-000909	C-AL;22uF,20%,16V,GP,TP,5x5,2,5	1	SA	
C320	2203-000975	C-CER,CHIP;47nF,10%,25V,X7R,TP,1608	1	SA		C508	2203-000888	C-CER,CHIP;4.7nF,10%,50V,X7R,1608	1	SA	
C321	2203-002398	C-CER,CHIP;22nF,10%,50V,X7R,1608	1	SA		C510	2401-001502	C-AL;47uF,20%,16V,GP,TP,6.3x5,2,5	1	SA	
C322	2401-000588	C-AL;1uF,20%,50V,GP,TP,3x5,2,5	1	SA		C511	2203-000257	C-CER,CHIP;10nF,10%,50V,X7R,TP,1608	1	SA	
C324	2203-000257	C-CER,CHIP;10nF,10%,50V,X7R,TP,1608	1	SA		C513	2203-000257	C-CER,CHIP;10nF,10%,50V,X7R,TP,1608	1	SA	
C325	2401-001502	C-AL;47uF,20%,16V,GP,TP,6.3x5,2,5	1	SA		C517	2203-000888	C-CER,CHIP;4.7nF,10%,50V,X7R,1608	1	SA	
C326	2401-000588	C-AL;1uF,20%,50V,GP,TP,3x5,2,5	1	SA		C518	2401-000909	C-AL;22uF,20%,16V,GP,TP,5x5,2,5	1	SA	
C327	2203-001211	C-CER,CHIP;8.2nF,10%,50V,X7R,1608	1	SA		C519	2203-000257	C-CER,CHIP;10nF,10%,50V,X7R,TP,1608	1	SA	
C328	2203-000257	C-CER,CHIP;10nF,10%,50V,X7R,TP,1608	1	SA		C520	2401-001249	C-AL;4.7uF,20%,35V,GP,TP,4x5,2,5	1	SA	
C329	2203-005148	C-CER,CHIP;100nF,10%,16V,X7R,TP,160	1	SA		C521	2401-000408	C-AL;10uF,20%,16V,GP,TP,3,5x5,2,5	1	SA	
C330	2203-000975	C-CER,CHIP;47nF,10%,25V,X7R,TP,1608	1	SA		C522	2203-005148	C-CER,CHIP;100nF,10%,16V,X7R,TP,160	1	SA	
C331	2203-005148	C-CER,CHIP;100nF,10%,16V,X7R,TP,160	1	SA		C523	2203-005148	C-CER,CHIP;100nF,10%,16V,X7R,TP,160	1	SA	
C332	2203-000975	C-CER,CHIP;47nF,10%,25V,X7R,TP,1608	1	SA		C524	2401-001249	C-AL;4.7uF,20%,35V,GP,TP,4x5,2,5	1	SA	
C333	2401-000408	C-AL;10uF,20%,16V,GP,TP,3.5x5,2,5	1	SA		C525	2401-001249	C-AL;4.7uF,20%,35V,GP,TP,4x5,2,5	1	SA	
C335	2203-001652	C-CER,CHIP;470nF,+80-20%,16V,Y5V,16	1	SA		C526	2401-002165	C-AL;100uF,20%,16V,GP,TP,6.3x7,5	1	SA	
C337	2203-001652	C-CER,CHIP;470nF,+80-20%,16V,Y5V,16	1	SA		C527	2202-000797	C-CERAMIC,MLC-AXIAL;10NF,30%,16V,Y5	1	SA	
C338	2203-002398	C-CER,CHIP;22nF,10%,50V,X7R,1608	1	SA		C529	2401-001249	C-AL;4.7uF,20%,35V,GP,TP,4x5,2,5	1	SA	
C339	2401-000408	C-AL;10uF,20%,16V,GP,TP,3.5x5,2,5	1	SA		C530	2203-005148	C-CER,CHIP;100nF,10%,16V,X7R,TP,160	1	SA	
C340	2401-004161	C-AL;4.7uF,20%,16V,BP,TP,4x7mm,2,5m	1	SA		C531	AH61-10513A	BRACKET-PCB;DAT7000,SUN,T2,0,W85,L1	1	SA	
C341	2401-001508	C-AL;47uF,20%,16V,GP,TP,6.3x5,5	1	SA		C537	2401-002569	C-AL;2.2uF,20%,50V,GP,TP,4x5,2,5	1	SA	
C342	2202-002037	C-CERAMIC,MLC-AXIAL;100nF,+80-20%,5	1	SA		C538	2401-002569	C-AL;2.2uF,20%,50V,GP,TP,4x5,2,5	1	SA	
C343	2203-005065	C-CER,CHIP;1000nF,+80-20%,10V,Y5V,1	1	SA		C541	2401-000588	C-AL;1uF,20%,50V,GP,TP,3x5,2,5	1	SA	
C344	2203-000315	C-CER,CHIP;0.12nF,5%,50V,COG,1608	1	SA		C601	2203-002398	C-CER,CHIP;22nF,10%,50V,X7R,1608	1	SA	
C345	2203-001607	C-CER,CHIP;0.22nF,5%,50V,NPO,1608	1	SA		C602	2401-001543	C-AL;47uF,20%,25V,GP,TP,6.3x5mm,2,5	1	SA	
C347	2203-005065	C-CER,CHIP;1000nF,+80-20%,10V,Y5V,1	1	SA		C604	2203-000257	C-CER,CHIP;10nF,10%,50V,X7R,TP,1608	1	SA	
C348	2203-005148	C-CER,CHIP;100nF,10%,16V,X7R,TP,160	1	SA		C605	2203-000257	C-CER,CHIP;10nF,10%,50V,X7R,TP,1608	1	SA	
C349	2203-005065	C-CER,CHIP;1000nF,+80-20%,10V,Y5V,1	1	SA		C606	2203-000257	C-CER,CHIP;10nF,10%,50V,X7R,TP,1608	1	SA	
C350	2203-005148	C-CER,CHIP;100nF,10%,16V,X7R,TP,160	1	SA		C607	2203-000257	C-CER,CHIP;10nF,10%,50V,X7R,TP,1608	1	SA	
C351	2401-001502	C-AL;47uF,20%,16V,GP,TP,6.3x5,2,5	1	SA		C607A	2401-001502	C-AL;47uF,20%,16V,GP,TP,6.3x5,2,5	1	SA	
C352	2401-000588	C-AL;1uF,20%,50V,GP,TP,3x5,2,5	1	SA		C608	2401-000360	C-AL;100uF,20%,50V,GP,TP,8x11,5,5	1	SA	
C353	2401-000588	C-AL;1uF,20%,50V,GP,TP,3x5,2,5	1	SA		C609	2401-001543	C-AL;47uF,20%,25V,GP,TP,6.3x5mm,2,5	1	SA	
C354	2401-001502	C-AL;47uF,20%,16V,GP,TP,6.3x5,2,5	1	SA		C610	2203-005148	C-CER,CHIP;100nF,10%,16V,X7R,TP,160	1	SA	
C392	2203-000257	C-CER,CHIP;10nF,10%,50V,X7R,TP,1608	1	SA		C623	2203-000257	C-CER,CHIP;10nF,10%,50V,X7R,TP,1608	1	SA	
C3A01	2401-002299	C-AL;4.7uF,20%,50V,GP,TP,5x7,5	1	SA		C626	2203-000626	C-CER,CHIP;0.022nF,5%,50V,COG,1608	1	SA	
C3A02	2401-000922	C-AL;22uF,20%,16V,GP,TP,5x5,5	1	SA		C627	2203-000626	C-CER,CHIP;0.022nF,5%,50V,COG,1608	1	SA	
C3A08	2203-000257	C-CER,CHIP;10nF,10%,50V,X7R,TP,1608	1	SA		C628	2203-000681	C-CER,CHIP;0.027nF,5%,50V,COG,1608	1	SA	
C3A09	2203-001103	C-CER,CHIP;6.8nF,10%,50V,X7R,1608	1	SA		C633	2203-000257	C-CER,CHIP;10nF,10%,50V,X7R,TP,1608	1	SA	
C3A10	2203-001211	C-CER,CHIP;8.2nF,10%,50V,X7R,1608	1	SA		C635	2203-000491	C-CER,CHIP;2.2nF,10%,50V,X7R,1608	1	SA	
C3A11	2301-000016	C-FILM,LEAD-PEF;22nF,5%,100V,TP,7,2	1	SA		C636	2203-000491	C-CER,CHIP;2.2nF,10%,50V,X7R,1608	1	SA	
C3A12	2401-000909	C-AL;22uF,20%,16V,GP,TP,5x5,2,5	1	SA		C637	2203-002041	C-CER,CHIP;0.47nF,10%,50V,X7R,1608	1	SA	
C3A14	2203-002041	C-CER,CHIP;0.47nF,10%,50V,X7R,1608	1	SA		C638	2401-001250	C-AL;4.7uF,20%,35V,GP,TP,4x5,5	1	SA	
C3A15	2203-000257	C-CER,CHIP;10nF,10%,50V,X7R,TP,1608	1	SA		C639	2203-000236	C-CER,CHIP;0.1nF,5%,50V,COG,1608	1	SA	
C3A16	2401-002299	C-AL;4.7uF,20%,50V,GP,TP,5x7,5	1	SA		C640	2203-005148	C-CER,CHIP;100nF,10%,16V,X7R,TP,160	1	SA	
C3A17	2401-000414	C-AL;10uF,20%,16V,GP,TP,4x7,5	1	SA		C641	2401-003221	C-AL;100uF,20%,16V,GP,TP,8X5,2,5	1	SA	
C3A18	2203-001126	C-CER,CHIP;0.68nF,10%,50V,X7R,1608	1	SA		C642	2401-001502	C-AL;47uF,20%,16V,GP,TP,6.3x5,2,5	1	SA	
C3A21A	2203-001554	C-CER,CHIP;1.8nF,10%,50V,X7R,1608	1	SA		C645	2203-000140	C-CER,CHIP;1.5nF,10%,50V,X7R,1608	1	SA	
C3A23	2401-002069	C-AL;33uF,20%,16V,GP,TP,6.3x5,5	1	SA		C646	2203-005148	C-CER,CHIP;100nF,10%,16V,X7R,TP,160	1	SA	

Exploded Views and Parts List

Loc.No	Parts No.	Description : Specification	Q'ty	S.N.A	Remark	Loc.No	Parts No.	Description : Specification	Q'ty	S.N.A	Remark
C657	2203-000257	C-CER,CHIP;10nF,10%,50V,X7R,TP,1608	1	SA		FVR5	3301-000297	BEAD-AXIAL;25ohm,3.6x1.2x5.7mm,-,TP	1	SA	
C659A	2203-001140	C-CER,CHIP;68nF,10%,16V,X7R,1608	1	SA		FZD1	0403-000720	DIODE-ZENER;MTZJ9.1B,8.57-9.01V,500	1	SC	
C661	2202-002055	C-CERAMIC,MLC-AXIAL;47nF,+80-20%,50	1	SA		FZD2	0403-000720	DIODE-ZENER;MTZJ9.1B,8.57-9.01V,500	1	SC	
C662	2401-002299	C-AL;4.7uF,20%,50V,GP,TP,5x7,5	1	SA		FZD3	0403-000720	DIODE-ZENER;MTZJ9.1B,8.57-9.01V,500	1	SC	
						FZD4	0403-000720	DIODE-ZENER;MTZJ9.1B,8.57-9.01V,500	1	SC	
C663	2401-000118	C-AL;1000uF,20%,10V,GP,TP,10x12.5,5	1	SA		FZD5	0403-000720	DIODE-ZENER;MTZJ9.1B,8.57-9.01V,500	1	SC	
C688	2401-001508	C-AL;47uF,20%,16V,GP,TP,6.3x5,5	1	SA		IC1P01	AC14-12006N	IC-VOLT REGU;KA78R12,SIP,STICK	1	SA	
C691	2203-000257	C-CER,CHIP;10nF,10%,50V,X7R,TP,1608	1	SA		IC1P02	1203-002183	IC-SWITCH VOL. REG.;278R12,TO-220F-	1	SA	
C695	2203-000357	C-CER,CHIP;0.15nF,5%,50V,C0G,1608	1	SA		IC1P03	1203-003230	IC-POSIFIXED REG.;G9105,TO-220F,4P	1	SA	
C696	2203-000236	C-CER,CHIP;0.1nF,5%,50V,C0G,1608	1	SA		IC1P04	1203-004090	IC-POSIFIXED REG.;KIA278R018PI,TO-	1	SA	
C6P01	2202-000797	C-CERAMIC,MLC-AXIAL;10NF,30%,16V,Y5	1	SA		IC1P05	1203-001589	IC-POSIFIXED REG.;278R05,TO-220F,4	1	SA	
C6P02	2203-000315	C-CER,CHIP;0.12nF,5%,50V,C0G,1608	1	SA		IC1P06	1203-004375	IC-POSIAJUST REG.;KIA278R000P5,TO	1	SA	
C6P04	2203-000681	C-CER,CHIP;0.027nF,5%,50V,C0G,1608	1	SA		IC1P07	1203-003293	IC-POSIFIXED REG.;G9205,TO-220F,4P	1	SA	
C6P05	2203-000681	C-CER,CHIP;0.027nF,5%,50V,C0G,1608	1	SA		IC1P09	1203-002020	IC-POSIFIXED REG.;78R09,TO-220,4P,	1	SA	
C6P08	2203-001071	C-CER,CHIP;0.056nF,5%,50V,C0G,1608	1	SA		IC1P10	AC14-12006N	IC-VOLT REGU;KA78R12,SIP,STICK	1	SA	
C6P09	2203-001071	C-CER,CHIP;0.056nF,5%,50V,C0G,1608	1	SA		IC1P11	1203-003216	IC-POSIFIXED REG.;G9133,TO-220F,4P	1	SA	
C6P10	2203-005065	C-CER,CHIP;1000nF,+80-20%,10V,Y5V,1	1	SA		IC301	1204-002140	IC-VIDEO PROCESSOR;LA71750EM-MPB-E,QF	1	SA	
C6P11	2401-000598	C-AL;1uF,20%,50V,GP,TP,4x7,5	1	SA		IC501	1204-001920	IC-AUDIO PROCESSOR;LA72646M,QFP,80P	1	SA	
C6P12	2401-002095	C-AL;47uF,20%,25V,GP,TP,6.3x5,5	1	SA		IC601	AK09-00195A	IC MICOM;N128-C28-3BA,DVD-VR375/XEF	1	SNA	
C6P13	2203-005148	C-CER,CHIP;100nF,10%,16V,X7R,TP,160	1	SA		IC604	AC14-12006C	IC;KA7533,DIP,-	1	SA	
C703	2203-000440	C-CER,CHIP;1nF,10%,50V,X7R,1608	1	SA		IC605	1103-000138	IC-EEPROM;24C16,16Kbit,2Kx8Bit,SOP,	1	SA	
C704	2401-000118	C-AL;1000uF,20%,10V,GP,TP,10x12.5,5	1	SA		IC6P01	1204-001796	IC-OSD PROCESSOR;LC74759JM-9820,MFP	1	SA	
C822A	2203-000236	C-CER,CHIP;0.1nF,5%,50V,C0G,1608	1	SA		J03	2007-000033	R-CHIP;0ohm,5%,1/4W,TP,3216	1	SA	
C928	AK63-00197A	GASKET-EMI;DP-R1,EMI sheet,TO.1,W75	1	SA		J905	2007-000070	R-CHIP;0ohm,5%,1/10W,TP,1608	1	SA	
CN01	3708-000270	CONNECTOR-FPC/FFC/PIC;33P,1.25MM,ST	1	SA		J911	2007-000033	R-CHIP;0ohm,5%,1/4W,TP,3216	1	SA	
CN02	3708-001302	CONNECTOR-FPC/FFC/PIC;7P,1.25mm,STR	1	SA		J913	2007-000070	R-CHIP;0ohm,5%,1/10W,TP,1608	1	SA	
CN05	3711-006150	HEADER-BOARD TO BOARD;NOWALL,11P,2R	1	SA		J914	2007-000033	R-CHIP;0ohm,5%,1/4W,TP,3216	1	SA	
CN301	3708-000391	CONNECTOR-FPC/FFC/PIC;10P,1.25mm,ST	1	SA		J915	2007-000070	R-CHIP;0ohm,5%,1/10W,TP,1608	1	SA	
CN303	3708-001165	CONNECTOR-FPC/FFC/PIC;6P,1.25MM,STR	1	SA		JZ02	0403-000720	DIODE-ZENER;MTZJ9.1B,8.57-9.01V,500	1	SC	
CN3A02	AC37-00028A	CONNECTOR-SOCKET,-,X-11,T9,0,W8,5,P	1	SA		L1P01	2701-000002	INDUCTOR-AXIAL;100UH,10%,4298	1	SA	
CN604	AC37-00027A	CONNECTOR-HEADER;20045WS,X-11,T8,5,	1	SA		L1S03	AC27-12001N	COIL CHOKE;10UH-15%,RA,K-30,Q80,150	1	SA	
CN701	3708-001094	CONNECTOR-FPC/FFC/PIC;13P,1.25MM,ST	1	SA		L1S04	AC27-12001N	COIL CHOKE;10UH-15%,RA,K-30,Q80,150	1	SA	
CN704	3708-001302	CONNECTOR-FPC/FFC/PIC;7P,1.25mm,STR	1	SA		L1S30	AH27-00039A	COIL CHOKE;DR CHOKE(8*6),DVD-R2000,	1	SA	
CN706	3708-001167	CONNECTOR-FPC/FFC/PIC;14P,1.25mm,ST	1	SA		L1S31	AH27-00039A	COIL CHOKE;DR CHOKE(8*6),DVD-R2000,	1	SA	
D1S10	0402-000165	DIODE-RECTIFIER;1N5819,40V,1A,DO-41	1	SA		L1S32	AC27-12001N	COIL CHOKE;10UH-15%,RA,K-30,Q80,150	1	SA	
D1S11	0402-000127	DIODE-RECTIFIER;1N4002,100V,1A,DO-4	1	SA		L301	2701-000002	INDUCTOR-AXIAL;100UH,10%,4298	1	SA	
D1S12	0402-001533	DIODE-RECTIFIER;1N5408,1000V,3A,DO-	1	SA		L302	2701-000002	INDUCTOR-AXIAL;100UH,10%,4298	1	SA	
D1S13	0402-000127	DIODE-RECTIFIER;1N4002,100V,1A,DO-4	1	SA		L303	2701-000002	INDUCTOR-AXIAL;100UH,10%,4298	1	SA	
D1S30	0402-001439	DIODE-RECTIFIER;SHK75-11,100V,3A,DO	1	SA		L304	AC27-92001M	COIL-INDUCTOR;RH3.5X6.5RS,BEAD(RADI	1	SC	
D1S32	0404-001423	DIODE-SCHOTTKY;MBRF10150C,150V,1000	1	SA		L370	2701-000113	INDUCTOR-AXIAL;100UH,5%,2534	1	SA	
D1S33	0404-001423	DIODE-SCHOTTKY;MBRF10150C,150V,1000	1	SA		L3A01	2702-000120	INDUCTOR-RADIAL;15000uH,5%,6.2x7.4m	1	SA	
D1S35	0402-001783	DIODE-RECTIFIER;SF35G,300V,3A,DO-20	1	SA		L3A02	2701-000002	INDUCTOR-AXIAL;100UH,10%,4298	1	SA	
D1S37	0402-000351	DIODE-RECTIFIER;1N4937,600V,1A,DO-4	1	SA		L3A03	2701-000002	INDUCTOR-AXIAL;100UH,10%,4298	1	SA	
D1S38	0402-001439	DIODE-RECTIFIER;SHK75-11,100V,3A,DO	1	SA		L3A70	2702-000120	INDUCTOR-RADIAL;15000uH,5%,6.2x7.4m	1	SA	
D301	0401-000005	DIODE-SWITCHING;1N4148,75V,150mA,DO	1	SA		L3S01	2701-000002	INDUCTOR-AXIAL;100UH,10%,4298	1	SA	
D603	0401-000005	DIODE-SWITCHING;1N4148,75V,150mA,DO	1	SA		L501	2701-000002	INDUCTOR-AXIAL;100UH,10%,4298	1	SA	
D620	0402-000165	DIODE-RECTIFIER;1N5819,40V,1A,DO-41	1	SA		L502	2701-000002	INDUCTOR-AXIAL;100UH,10%,4298	1	SA	
D688	0401-000005	DIODE-SWITCHING;1N4148,75V,150mA,DO	1	SA		L602	2701-000002	INDUCTOR-AXIAL;100UH,10%,4298	1	SA	
D692	0402-000165	DIODE-RECTIFIER;1N5819,40V,1A,DO-41	1	SA		L603	2701-000002	INDUCTOR-AXIAL;100UH,10%,4298	1	SA	
FC701	2301-001679	C-FILM,PEF;2.2nF,5%,50V,TP,5.8x3x7m	1	SA		L605	2701-000002	INDUCTOR-AXIAL;100UH,10%,4298	1	SA	
FC702	2301-001679	C-FILM,PEF;2.2nF,5%,50V,TP,5.8x3x7m	1	SA		L6P01	2702-000108	INDUCTOR-RADIAL;100uH,5%,6.0x6.4mm	1	SC	
FJACK1	3722-002718	JACK-PIN;3P,SNIN,YEL/WHT/RED,ANGLE	1	SA		L6P03	2701-000160	INDUCTOR-AXIAL;22uH,5%,2434	1	SA	
FL042	3809-001206	CABLE-FLAT;30V,80C,140MM,6P,1.25MM,	1	SA		L6P05	2701-000165	INDUCTOR-AXIAL;27uH,5%,2434	1	SA	
FL100	3809-001131	CABLE-FLAT;30V,80C,110MM,7P,1.25MM,	1	SA		PT01	AC26-00014W	TRANS SWITCHING;EER3534,RDR-VX420,-	1	SA	
FL386	3809-002114	CABLE-FLAT;30V,80C,265mm,40P,0.5mm,	1	SA		PT601	0604-001141	PHOTO-INTERRUPTER,-,0mW,SNAP,TP	1	SA	
FL3A01	2702-001142	INDUCTOR-RADIAL;47uH,5%,6.2x7.4mm	1	SA		PT602	0604-001141	PHOTO-INTERRUPTER,-,0mW,SNAP,TP	1	SA	
FL686	3809-001814	CABLE-FLAT;30V,80C,160mm,14P,1.25mm	1	SA		Q1P03	0504-000142	TR-DIGITAL;FJN4301R,PNP,300MW,4.7K	1	SA	
FL701	2701-000181	INDUCTOR-AXIAL;33uH,5%,2434	1	SA		Q1P201	0505-001522	FET-SILICON;FQP33N10,N,100V,33A,52m	1	SA	
FL702	2701-000181	INDUCTOR-AXIAL;33uH,5%,2434	1	SA		Q1P202	AC14-12006D	IC;KA431Z,TO-92,TAPING	1	SA	
FVR1	2001-000734	R-CARBON;4.7Kohm,5%,1/8W,AA,TP,1.8x	1	SA		Q3A01	0501-000398	TR-SMALL SIGNAL;KSC945-Y,NPN,250mW,	1	SA	

Loc.No	Parts No.	Description : Specification	Q'ty	S.N.A	Remark	Loc.No	Parts No.	Description : Specification	Q'ty	S.N.A	Remark
						R3A14	2007-000094	R-CHIP;22Kohm,5%,1/10W,TP,1608	1	SA	
Q3A02	0501-000303	TR-SMALL SIGNAL;KSA733,PNP,250mW,TO	1	SA		R3A16	2007-000090	R-CHIP;10Kohm,5%,1/10W,TP,1608	1	SA	
Q3A03	0501-000442	TR-SMALL SIGNAL;KTC3203-Y,NPN,400mW	1	SA		R3A17	2007-000124	R-CHIP;2.2Kohm,5%,1/10W,TP,1608	1	SA	
Q3A04	0501-000442	TR-SMALL SIGNAL;KTC3203-Y,NPN,400mW	1	SA		R3A18	2007-000124	R-CHIP;2.2Kohm,5%,1/10W,TP,1608	1	SA	
Q3A05	0501-000442	TR-SMALL SIGNAL;KTC3203-Y,NPN,400mW	1	SA		R3A23	2007-000091	R-CHIP;12Kohm,5%,1/10W,TP,1608	1	SA	
Q3A06	0501-000002	TR-SMALL SIGNAL;KSA812,PNP,150MW,SO	1	SA		R3A24	2007-000094	R-CHIP;22Kohm,5%,1/10W,TP,1608	1	SA	
Q601	0504-000129	TR-DIGITAL;KSR1104,NPN,200mW,47K/47	1	SA		R3A25	2001-000221	R-CARBON;1.2Kohm,5%,1/8W,AA,TP,1.8x	1	SA	
Q6P01	0501-000303	TR-SMALL SIGNAL;KSA733,PNP,250mW,TO	1	SA		R3A26	2007-000090	R-CHIP;10Kohm,5%,1/10W,TP,1608	1	SA	
Q6P02	0501-000303	TR-SMALL SIGNAL;KSA733,PNP,250mW,TO	1	SA		R3A28	2007-000124	R-CHIP;2.2Kohm,5%,1/10W,TP,1608	1	SA	
R1P107	2001-000429	R-CARBON;1Kohm,5%,1/8W,AA,TP,1.8x3	1	SA		R3A50	2001-000800	R-CARBON;5.1Kohm,5%,1/8W,AA,TP,1.8x	1	SA	
R1P110	2001-000429	R-CARBON;1Kohm,5%,1/8W,AA,TP,1.8x3	1	SA		R3A51	2007-000090	R-CHIP;10Kohm,5%,1/10W,TP,1608	1	SA	
R1P111	2001-000429	R-CARBON;1Kohm,5%,1/8W,AA,TP,1.8x3	1	SA		R3A60	2007-000704	R-CHIP;3.6Kohm,5%,1/10W,TP,1608	1	SA	
R1P112	2001-000429	R-CARBON;1Kohm,5%,1/8W,AA,TP,1.8x3	1	SA		R3A70	2007-000084	R-CHIP;4.7Kohm,5%,1/10W,TP,1608	1	SA	
R1P113	2001-000429	R-CARBON;1Kohm,5%,1/8W,AA,TP,1.8x3	1	SA		R501	2001-000780	R-CARBON;470ohm,5%,1/8W,AA,TP,1.8x3	1	SA	
R1P115	2001-000429	R-CARBON;1Kohm,5%,1/8W,AA,TP,1.8x3	1	SA		R503	2001-000780	R-CARBON;470ohm,5%,1/8W,AA,TP,1.8x3	1	SA	
R1P131	2001-000855	R-CARBON;560ohm,5%,1/4W,AA,TP,2.4x6	1	SA		R509	2007-000087	R-CHIP;6.8Kohm,5%,1/10W,TP,1608	1	SA	
R1P150	2001-000681	R-CARBON;36ohm,5%,1/8W,AA,TP,1.8x3	1	SA		R510	2001-000766	R-CARBON;43Kohm,5%,1/8W,AA,TP,1.8x3	1	SA	
R1P151	2007-000121	R-CHIP;820ohm,5%,1/10W,TP,1608	1	SA		R511	2007-000090	R-CHIP;10Kohm,5%,1/10W,TP,1608	1	SA	
R1P201	2007-000043	R-CHIP;1Kohm,1%,1/10W,TP,1608	1	SA		R512	2001-000660	R-CARBON;33Kohm,5%,1/8W,AA,TP,1.8x3	1	SA	
R1P202	2001-000472	R-CARBON;2.7Kohm,5%,1/8W,AA,TP,1.8x	1	SA		R517	2007-000087	R-CHIP;6.8Kohm,5%,1/10W,TP,1608	1	SA	
R1PS03	2007-000124	R-CHIP;2.2Kohm,5%,1/10W,TP,1608	1	SA		R518	2007-000913	R-CHIP;43Kohm,5%,1/10W,TP,1608	1	SA	
R1PS05	2001-000449	R-CARBON;2.2Kohm,5%,1/8W,AA,TP,1.8x	1	SA		R545	2007-000512	R-CHIP;2.4Kohm,5%,1/10W,TP,1608	1	SA	
R1S31	2001-000780	R-CARBON;470ohm,5%,1/8W,AA,TP,1.8x3	1	SA		R546	2007-000078	R-CHIP;1Kohm,5%,1/10W,TP,1608	1	SA	
R1S32	2001-000221	R-CARBON;1.2Kohm,5%,1/8W,AA,TP,1.8x	1	SA		R547	2007-000078	R-CHIP;1Kohm,5%,1/10W,TP,1608	1	SA	
R1S33	2001-000429	R-CARBON;1Kohm,5%,1/8W,AA,TP,1.8x3	1	SA		R570	2007-000078	R-CHIP;1Kohm,5%,1/10W,TP,1608	1	SA	
R1S35	2001-000472	R-CARBON;2.7Kohm,5%,1/8W,AA,TP,1.8x	1	SA		R571	2007-000098	R-CHIP;56Kohm,5%,1/10W,TP,1608	1	SA	
R1S35A	2001-000490	R-CARBON;200ohm,5%,1/8W,AA,TP,1.8x3	1	SA		R608	2001-000864	R-CARBON;56Kohm,5%,1/8W,AA,TP,1.8x3	1	SA	
R1S36	2007-000493	R-CHIP;2.2Kohm,5%,1/8W,TP,2012	1	SA		R609	2001-000864	R-CARBON;56Kohm,5%,1/8W,AA,TP,1.8x3	1	SA	
R315	2007-000122	R-CHIP;1.2Kohm,5%,1/10W,TP,1608	1	SA		R610	2007-000074	R-CHIP;100ohm,5%,1/10W,TP,1608	1	SA	
R316	2007-001179	R-CHIP;8.2Kohm,5%,1/10W,TP,1608	1	SA		R611	2007-000074	R-CHIP;100ohm,5%,1/10W,TP,1608	1	SA	
R320	2007-000458	R-CHIP;18Kohm,5%,1/10W,TP,1608	1	SA		R614	2007-000078	R-CHIP;1Kohm,5%,1/10W,TP,1608	1	SA	
R321	2007-000090	R-CHIP;10Kohm,5%,1/10W,TP,1608	1	SA		R615	2007-000078	R-CHIP;1Kohm,5%,1/10W,TP,1608	1	SA	
R322	2007-000458	R-CHIP;18Kohm,5%,1/10W,TP,1608	1	SA		R617	2007-000098	R-CHIP;56Kohm,5%,1/10W,TP,1608	1	SA	
R323	2007-000125	R-CHIP;3.9Kohm,5%,1/10W,TP,1608	1	SA		R620	2007-000090	R-CHIP;10Kohm,5%,1/10W,TP,1608	1	SA	
R325	2007-000074	R-CHIP;100ohm,5%,1/10W,TP,1608	1	SA		R630	2007-000090	R-CHIP;10Kohm,5%,1/10W,TP,1608	1	SA	
R326	2007-000074	R-CHIP;100ohm,5%,1/10W,TP,1608	1	SA		R631	2007-000078	R-CHIP;1Kohm,5%,1/10W,TP,1608	1	SA	
R327	2007-000084	R-CHIP;4.7Kohm,5%,1/10W,TP,1608	1	SA		R632	2007-000074	R-CHIP;100ohm,5%,1/10W,TP,1608	1	SA	
R328	2007-000122	R-CHIP;1.2Kohm,5%,1/10W,TP,1608	1	SA		R633	2007-000074	R-CHIP;100ohm,5%,1/10W,TP,1608	1	SA	
R329	2007-000080	R-CHIP;2Kohm,5%,1/10W,TP,1608	1	SA		R634	2007-000084	R-CHIP;4.7Kohm,5%,1/10W,TP,1608	1	SA	
R330	2007-000087	R-CHIP;6.8Kohm,5%,1/10W,TP,1608	1	SA		R635	2007-000084	R-CHIP;4.7Kohm,5%,1/10W,TP,1608	1	SA	
R331	2007-000079	R-CHIP;1.8Kohm,5%,1/10W,TP,1608	1	SA		R636	2001-000281	R-CARBON;100ohm,5%,1/8W,AA,TP,1.8x3	1	SA	
R333	2007-000098	R-CHIP;56Kohm,5%,1/10W,TP,1608	1	SA		R637	2007-000074	R-CHIP;100ohm,5%,1/10W,TP,1608	1	SA	
R334	2007-000079	R-CHIP;1.8Kohm,5%,1/10W,TP,1608	1	SA		R640	2007-000090	R-CHIP;10Kohm,5%,1/10W,TP,1608	1	SA	
R335	2001-000281	R-CARBON;100ohm,5%,1/8W,AA,TP,1.8x3	1	SA		R641	2001-000780	R-CARBON;470ohm,5%,1/8W,AA,TP,1.8x3	1	SA	
R336	2007-000090	R-CHIP;10Kohm,5%,1/10W,TP,1608	1	SA		R642	2001-000780	R-CARBON;470ohm,5%,1/8W,AA,TP,1.8x3	1	SA	
R360	2007-001196	R-CHIP;820Kohm,5%,1/10W,TP,1608	1	SA		R643	2001-000429	R-CARBON;1Kohm,5%,1/8W,AA,TP,1.8x3	1	SA	
R372	2007-000078	R-CHIP;1Kohm,5%,1/10W,TP,1608	1	SA		R644	2001-000429	R-CARBON;1Kohm,5%,1/8W,AA,TP,1.8x3	1	SA	
R373	2007-000093	R-CHIP;20Kohm,5%,1/10W,TP,1608	1	SA		R647	2001-000429	R-CARBON;1Kohm,5%,1/8W,AA,TP,1.8x3	1	SA	
R380	2007-000124	R-CHIP;2.2Kohm,5%,1/10W,TP,1608	1	SA		R651	2001-000010	R-CARBON;68Kohm,5%,1/8W,AA,TP,1.8x3	1	SA	
R3A01	2001-000290	R-CARBON;10Kohm,5%,1/8W,AA,TP,1.8x3	1	SA		R660	2001-000786	R-CARBON;47Kohm,5%,1/8W,AA,TP,1.8x3	1	SA	
R3A01A	2007-000090	R-CHIP;10Kohm,5%,1/10W,TP,1608	1	SA		R661	2007-000134	R-CHIP;33Kohm,5%,1/10W,TP,1608	1	SA	
R3A04	2001-000221	R-CARBON;1.2Kohm,5%,1/8W,AA,TP,1.8x	1	SA		R666	2007-000090	R-CHIP;10Kohm,5%,1/10W,TP,1608	1	SA	
R3A05	2007-000616	R-CHIP;24Kohm,5%,1/10W,TP,1608	1	SA		R667	2007-000090	R-CHIP;10Kohm,5%,1/10W,TP,1608	1	SA	
R3A06	2007-000539	R-CHIP;200ohm,5%,1/10W,TP,1608	1	SA		R668	2001-000780	R-CARBON;470ohm,5%,1/8W,AA,TP,1.8x3	1	SA	
R3A07	2007-000133	R-CHIP;330Kohm,5%,1/10W,TP,1608	1	SA		R669	2001-000780	R-CARBON;470ohm,5%,1/8W,AA,TP,1.8x3	1	SA	
R3A08	2007-000091	R-CHIP;12Kohm,5%,1/10W,TP,1608	1	SA		R670	2007-000084	R-CHIP;4.7Kohm,5%,1/10W,TP,1608	1	SA	
R3A09	2007-000070	R-CHIP;0ohm,5%,1/10W,TP,1608	1	SA		R671	2007-000084	R-CHIP;4.7Kohm,5%,1/10W,TP,1608	1	SA	
R3A11	2007-000124	R-CHIP;2.2Kohm,5%,1/10W,TP,1608	1	SA		R672	2007-000084	R-CHIP;4.7Kohm,5%,1/10W,TP,1608	1	SA	
R3A12	2007-000074	R-CHIP;100ohm,5%,1/10W,TP,1608	1	SA		R673	2001-000429	R-CARBON;1Kohm,5%,1/8W,AA,TP,1.8x3	1	SA	
R3A13	2007-000097	R-CHIP;47Kohm,5%,1/10W,TP,1608	1	SA							

Exploded Views and Parts List

Loc.No	Parts No.	Description : Specification	Q'ty	S.N.A	Remark	Loc.No	Parts No.	Description : Specification	Q'ty	S.N.A	Remark
R674	2001-000290	R-CARBON;10Kohm,5%,1/8W,AA,TP,1.8x3	1	SA		DT701	AK07-00067A	LED DISPLAY;BCD-9052A,DVD-VR375,-7	1	SA	
R676	2007-000096	R-CHIP;30Kohm,5%,1/10W,TP,1608	1	SA		FL391	3809-002079	CABLE-FLAT;30V,80#9,0mm,13P,1.25mm	1	SA	
R678	2007-000094	R-CHIP;22Kohm,5%,1/10W,TP,1608	1	SA		IC701	1003-001561	IC-LED DRIVER;PT6961,SOP,32P,300MIL	1	SA	
R679	2001-000515	R-CARBON;220ohm,5%,1/8W,AA,TP,1.8x3	1	SA		L701	2701-000002	INDUCTOR-AXIAL;100UH,10%,4298	1	SA	
R682	2007-000094	R-CHIP;22Kohm,5%,1/10W,TP,1608	1	SA		L702	2701-000002	INDUCTOR-AXIAL;100UH,10%,4298	1	SA	
R685	2007-000086	R-CHIP;5.6Kohm,5%,1/10W,TP,1608	1	SA		R701	2001-000429	R-CARBON;1Kohm,5%,1/8W,AA,TP,1.8x3	1	SA	
R688	2007-000129	R-CHIP;27Kohm,5%,1/10W,TP,1608	1	SA		R702	2001-000429	R-CARBON;1Kohm,5%,1/8W,AA,TP,1.8x3	1	SA	
R691	2001-000515	R-CARBON;220ohm,5%,1/8W,AA,TP,1.8x3	1	SA		R704	2001-000837	R-CARBON;51Kohm,5%,1/8W,AA,TP,1.8x3	1	SA	
R693	2007-000097	R-CHIP;47Kohm,5%,1/10W,TP,1608	1	SA		R711	2001-000290	R-CARBON;10Kohm,5%,1/8W,AA,TP,1.8x3	1	SA	
R694	2007-000097	R-CHIP;47Kohm,5%,1/10W,TP,1608	1	SA		R712	2001-000515	R-CARBON;220ohm,5%,1/8W,AA,TP,1.8x3	1	SA	
R695	2001-000273	R-CARBON;100Kohm,5%,1/8W,AA,TP,1.8x	1	SA		RM701	0609-001202	MODULE REMOCON;HORIZONTAL,12.4mm,TR	1	SA	
R698	2007-000090	R-CHIP;10Kohm,5%,1/10W,TP,1608	1	SA		SW711	3404-001182	SWITCH-TACT;DC12V,50MA,100GF,6.0X6	1	SA	
R6BC01	2007-000070	R-CHIP;0ohm,5%,1/10W,TP,1608	1	SA		SW712	3404-001182	SWITCH-TACT;DC12V,50MA,100GF,6.0X6	1	SA	
R6P05	2007-000090	R-CHIP;10Kohm,5%,1/10W,TP,1608	1	SA		SW713	3404-001182	SWITCH-TACT;DC12V,50MA,100GF,6.0X6	1	SA	
R6P07	2007-000539	R-CHIP;200ohm,5%,1/10W,TP,1608	1	SA		SW714	3404-001182	SWITCH-TACT;DC12V,50MA,100GF,6.0X6	1	SA	
R6P08	2007-000118	R-CHIP;390ohm,5%,1/10W,TP,1608	1	SA		SW715	3404-001182	SWITCH-TACT;DC12V,50MA,100GF,6.0X6	1	SA	
R6P09	2007-000124	R-CHIP;2.2Kohm,5%,1/10W,TP,1608	1	SA		SW716	3404-001182	SWITCH-TACT;DC12V,50MA,100GF,6.0X6	1	SA	
R6P10	2007-000075	R-CHIP;220ohm,5%,1/10W,TP,1608	1	SA		SW717	3404-001182	SWITCH-TACT;DC12V,50MA,100GF,6.0X6	1	SA	
R773	2001-000281	R-CARBON;100ohm,5%,1/8W,AA,TP,1.8x3	1	SA		SW718	3404-001182	SWITCH-TACT;DC12V,50MA,100GF,6.0X6	1	SA	
R774	2007-000078	R-CHIP;1Kohm,5%,1/10W,TP,1608	1	SA		SW719	3404-001182	SWITCH-TACT;DC12V,50MA,100GF,6.0X6	1	SA	
R775	2007-000078	R-CHIP;1Kohm,5%,1/10W,TP,1608	1	SA		SW720	3404-001182	SWITCH-TACT;DC12V,50MA,100GF,6.0X6	1	SA	
R776	2007-000078	R-CHIP;1Kohm,5%,1/10W,TP,1608	1	SA							
R777	2007-000078	R-CHIP;1Kohm,5%,1/10W,TP,1608	1	SA							
R853	2001-000969	R-CARBON;75ohm,5%,1/8W,AA,TP,1.8x3	1	SA							
SW601	AC34-00005A	SWITCH MODE;SSS-55MD,-,-,DC5V,-,-	1	SA		P022 AK92-01691B	ASSY PCB-JACK;DVD-VR375/KEU,NEG,SCA	1	SA		
SW602	AC34-00006B	SWITCH-REC;LSA-1135-9,push,-,16,16,	1	SA		8ACN1	3711-005563	HEADER-BOARD TO BOARD;BOX,30P,2R,2m	1	SA	
SW604	3409-001165	SWITCH-DETECTOR;5V,1mA,-,50gt,ON-OFF	1	SA		8ACN2	3711-005563	HEADER-BOARD TO BOARD;BOX,30P,2R,2m	1	SA	
SW710	3404-001261	SWITCH-TACT;15V DC,20mA,100gf,7.4X7	1	SA		AC14	2203-000491	C-CER,CHIP;2.2nF,10%,50V,X7R,1608	1	SA	
SW722	3404-001182	SWITCH-TACT;DC12V,50MA,100GF,6.0X6	1	SA		AC18	2203-000491	C-CER,CHIP;2.2nF,10%,50V,X7R,1608	1	SA	
UR01	2001-000290	R-CARBON;10Kohm,5%,1/8W,AA,TP,1.8x3	1	SA		AC19	2203-000491	C-CER,CHIP;2.2nF,10%,50V,X7R,1608	1	SA	
UR02	2001-000281	R-CARBON;100ohm,5%,1/8W,AA,TP,1.8x3	1	SA		AC21	2203-000315	C-CER,CHIP;0.12nF,5%,50V,C0G,1608	1	SA	
UR03	2007-000074	R-CHIP;100ohm,5%,1/10W,TP,1608	1	SA		AC23	2203-000125	C-CER,CHIP;1.2nF,10%,50V,X7R,TP,160	1	SA	
UR04	2007-000074	R-CHIP;100ohm,5%,1/10W,TP,1608	1	SA		AC24	2203-005148	C-CER,CHIP;100nF,10%,16V,X7R,TP,160	1	SA	
VS222	AK39-00069A	LEAD CONNECTOR;RDR-VX515,-,4P,215	1	SA		AC25	2203-000315	C-CER,CHIP;0.12nF,5%,50V,C0G,1608	1	SA	
W02	2007-000070	R-CHIP;0ohm,5%,1/10W,TP,1608	1	SA		AC26	2203-000125	C-CER,CHIP;1.2nF,10%,50V,X7R,TP,160	1	SA	
W13	2007-000070	R-CHIP;0ohm,5%,1/10W,TP,1608	1	SA		AC27	2203-005148	C-CER,CHIP;100nF,10%,16V,X7R,TP,160	1	SA	
W225	2001-000429	R-CARBON;1Kohm,5%,1/8W,AA,TP,1.8x3	1	SA		AC9	2203-000491	C-CER,CHIP;2.2nF,10%,50V,X7R,1608	1	SA	
W668	2007-000070	R-CHIP;0ohm,5%,1/10W,TP,1608	1	SA		AD1	0407-000123	DIODE-ARRAY;DAN202K,80V,100mA,CA2-3	1	SA	
W669	2007-000070	R-CHIP;0ohm,5%,1/10W,TP,1608	1	SA		AD2	0407-000123	DIODE-ARRAY;DAN202K,80V,100mA,CA2-3	1	SA	
XT301	2801-001397	CRYSTAL-UNIT;4.433619MHz,20ppm,28-A	1	SA		AD3	0407-000123	DIODE-ARRAY;DAN202K,80V,100mA,CA2-3	1	SA	
XT602	2801-003139	CRYSTAL-UNIT;8MHz,50ppm,28-AA,22pF	1	SA		AD4	0401-000008	DIODE-SWITCHING;DAN217,80V,100MA,SO	1	SA	
ZD402	0403-000568	DIODE-ZENER;UZ3.6B,3.4-3.8V,500MW,D	1	SC		AD5	0407-000123	DIODE-ARRAY;DAN202K,80V,100mA,CA2-3	1	SA	
P0055 AK92-01688A	ASSY PCB-FUNCTION;DVD-VR375,FUNCTIO	1	SA			AD6	0407-000116	DIODE-ARRAY;KDS181, DAP202K,80V,100	1	SA	
C701	2202-000797	C-CERAMIC,MLC-AXIAL;10NF,30%,16V,Y5	1	SA		AD7	0407-000123	DIODE-ARRAY;DAN202K,80V,100mA,CA2-3	1	SA	
C702	2202-000797	C-CERAMIC,MLC-AXIAL;10NF,30%,16V,Y5	1	SA		AE11	2401-000913	C-AL;22uF,20%,16V,GP,TP,5x11,5	1	SA	
C706	2401-001507	C-AL;47uF,20%,16V,GP,TP,6.3x5,5	1	SA		AE12	2401-002144	C-AL;47uF,20%,16V,GP,TP,5x11,5	1	SA	
C707	2401-002165	C-AL;100uF,20%,16V,GP,TP,6.3x7,5	1	SA		AE13	2401-000913	C-AL;22uF,20%,16V,GP,TP,5x11,5	1	SA	
CN702	3708-001051	CONNECTOR-FPC/FFC/PIC;13P,1.25MM,AN	1	SA		AE14	2401-002095	C-AL;47uF,20%,25V,GP,TP,6.3x5,5	1	SA	
D1P130	0402-000165	DIODE-RECTIFIER;1N5819,40V,1A,DO-41	1	SA		AE15	2401-000414	C-AL;10uF,20%,16V,GP,TP,4x7,5	1	SA	
D1P131	0402-000165	DIODE-RECTIFIER;1N5819,40V,1A,DO-41	1	SA		AE16	2401-002095	C-AL;47uF,20%,25V,GP,TP,6.3x5,5	1	SA	
D701	0401-000005	DIODE-SWITCHING;1N4148,75V,150mA,DO	1	SA		AE3	2401-000913	C-AL;22uF,20%,16V,GP,TP,5x11,5	1	SA	
D702	0401-000005	DIODE-SWITCHING;1N4148,75V,150mA,DO	1	SA		AE5	2401-000913	C-AL;22uF,20%,16V,GP,TP,5x11,5	1	SA	
D703	0401-000005	DIODE-SWITCHING;1N4148,75V,150mA,DO	1	SA		AIC4	1201-000163	IC-OP AMP;4560,SOP,8P,173MIL,DUAL,1	1	SA	
D704	0401-000005	DIODE-SWITCHING;1N4148,75V,150mA,DO	1	SA		AL3	3301-001419	BEAD-SMD;220ohm,1608,TP,133ohm/70MH	1	SA	
D705	0401-000005	DIODE-SWITCHING;1N4148,75V,150mA,DO	1	SA		AL4	3301-001419	BEAD-SMD;220ohm,1608,TP,133ohm/70MH	1	SA	
D706	0401-000005	DIODE-SWITCHING;1N4148,75V,150mA,DO	1	SA		AQ1	0504-000128	TR-DIGITAL;-NPN,200MW,22K/22K,SOT-	1	SA	
D707	0401-000005	DIODE-SWITCHING;1N4148,75V,150mA,DO	1	SA		AQ10	0501-000341	TR-SMALL SIGNAL;KSC1623-L,NPN,200mW	1	SA	
						AQ11	0501-000341	TR-SMALL SIGNAL;KSC1623-L,NPN,200mW	1	SA	
						AQ12	0504-000128	TR-DIGITAL;-NPN,200MW,22K/22K,SOT-	1	SA	

Loc.No	Parts No.	Description : Specification	Q'ty	S.N.A	Remark	Loc.No	Parts No.	Description : Specification	Q'ty	S.N.A	Remark
AQ13	0504-000156	TR-DIGITAL;KSR2103,PNP,200MW,22K/22	1	SA		AZ5	0403-001083	DIODE-ZENER;UDZ9.1B,8.85-9.23V,200M	1	SA	
AQ2	0504-000156	TR-DIGITAL;KSR2103,PNP,200MW,22K/22	1	SA		AZ6	0403-001083	DIODE-ZENER;UDZ9.1B,8.85-9.23V,200M	1	SA	
AQ3	0501-000341	TR-SMALL SIGNAL;KSC1623-L,NPN,200mW	1	SA		AZ7	0403-001083	DIODE-ZENER;UDZ9.1B,8.85-9.23V,200M	1	SA	
AQ4	0504-000128	TR-DIGITAL;-NPN,200MW,22K/22K,SOT-	1	SA		AZ8	0403-001083	DIODE-ZENER;UDZ9.1B,8.85-9.23V,200M	1	SA	
AQ5	0504-000156	TR-DIGITAL;KSR2103,PNP,200MW,22K/22	1	SA		C401	2401-001496	C-AL;47uF,20%,16V,GP,TP,5x7,5	1	SA	
AQ6	0501-000341	TR-SMALL SIGNAL;KSC1623-L,NPN,200mW	1	SA		C402	2203-002398	C-CER,CHIP;22nF,10%,50V,X7R,1608	1	SA	
AQ7	0504-000128	TR-DIGITAL;-NPN,200MW,22K/22K,SOT-	1	SA		C403	2401-001496	C-AL;47uF,20%,16V,GP,TP,5x7,5	1	SA	
AQ8	0504-000156	TR-DIGITAL;KSR2103,PNP,200MW,22K/22	1	SA		C404	2401-001324	C-AL;0.47uF,20%,50V,GP,BK,3X5,2.5	1	SA	
AQ9	0501-000002	TR-SMALL SIGNAL;KSA812,PNP,150MW,SO	1	SA		C405	2401-002300	C-AL;47uF,20%,50V,GP,TP,6.3x11.5mm	1	SA	
AR10	2007-000074	R-CHIP;100ohm,5%,1/10W,TP,1608	1	SA		C406	2203-002257	C-CER,CHIP;10nF,10%,50V,X7R,TP,1608	1	SA	
AR11	2007-000074	R-CHIP;100ohm,5%,1/10W,TP,1608	1	SA		C409	2203-002398	C-CER,CHIP;22nF,10%,50V,X7R,1608	1	SA	
AR12	2001-000577	R-CARBON;2Kohm,5%,1/8W,AA,TP,1.8x3	1	SA		C412	2401-002165	C-AL;100uF,20%,16V,GP,TP,6.3x7,5	1	SA	
AR13	2007-000080	R-CHIP;2Kohm,5%,1/10W,TP,1608	1	SA		C413	2203-002257	C-CER,CHIP;10nF,10%,50V,X7R,TP,1608	1	SA	
AR14	2007-000097	R-CHIP;47Kohm,5%,1/10W,TP,1608	1	SA		C414	2401-002165	C-AL;100uF,20%,16V,GP,TP,6.3x7,5	1	SA	
AR15	2001-000515	R-CARBON;220ohm,5%,1/8W,AA,TP,1.8x3	1	SA		C415	2203-002257	C-CER,CHIP;10nF,10%,50V,X7R,TP,1608	1	SA	
AR16	2007-000075	R-CHIP;220ohm,5%,1/10W,TP,1608	1	SA		C800	2203-005918	C-CER,CHIP;1000nF,10%,6.3V,X7R,1608	1	SA	
AR17	2001-000577	R-CARBON;2Kohm,5%,1/8W,AA,TP,1.8x3	1	SA		C801	2401-002095	C-AL;47uF,20%,25V,GP,TP,6.3x5,5	1	SA	
AR28	2007-000097	R-CHIP;47Kohm,5%,1/10W,TP,1608	1	SA		C802	2401-000414	C-AL;10uF,20%,16V,GP,TP,4x7,5	1	SA	
AR29	2007-000075	R-CHIP;220ohm,5%,1/10W,TP,1608	1	SA		C803	2401-000414	C-AL;10uF,20%,16V,GP,TP,4x7,5	1	SA	
AR30	2007-000075	R-CHIP;220ohm,5%,1/10W,TP,1608	1	SA		C804	2203-005148	C-CER,CHIP;100nF,10%,16V,X7R,TP,160	1	SA	
AR31	2007-000080	R-CHIP;2Kohm,5%,1/10W,TP,1608	1	SA		C806	2401-002095	C-AL;47uF,20%,25V,GP,TP,6.3x5,5	1	SA	
AR36	2007-000075	R-CHIP;220ohm,5%,1/10W,TP,1608	1	SA		C807	2401-000414	C-AL;10uF,20%,16V,GP,TP,4x7,5	1	SA	
AR40	2001-000515	R-CARBON;220ohm,5%,1/8W,AA,TP,1.8x3	1	SA		C809	2203-005148	C-CER,CHIP;100nF,10%,16V,X7R,TP,160	1	SA	
AR41	2007-000125	R-CHIP;3.9Kohm,5%,1/10W,TP,1608	1	SA		C810	2401-000414	C-AL;10uF,20%,16V,GP,TP,4x7,5	1	SA	
AR42	2007-000122	R-CHIP;1.2Kohm,5%,1/10W,TP,1608	1	SA		C811	2401-000414	C-AL;10uF,20%,16V,GP,TP,4x7,5	1	SA	
AR43	2007-000431	R-CHIP;16Kohm,5%,1/10W,TP,1608	1	SA		C812	2401-000414	C-AL;10uF,20%,16V,GP,TP,4x7,5	1	SA	
AR46	2007-000125	R-CHIP;3.9Kohm,5%,1/10W,TP,1608	1	SA		C814	2401-000414	C-AL;10uF,20%,16V,GP,TP,4x7,5	1	SA	
AR47	2007-000122	R-CHIP;1.2Kohm,5%,1/10W,TP,1608	1	SA		C816	2401-000414	C-AL;10uF,20%,16V,GP,TP,4x7,5	1	SA	
AR48	2007-000431	R-CHIP;16Kohm,5%,1/10W,TP,1608	1	SA		C818	2203-000815	C-CER,CHIP;0.033nF,5%,50V,COG,1608	1	SA	
AR49	2007-001010	R-CHIP;51Kohm,5%,1/10W,TP,1608	1	SA		C819	2203-000815	C-CER,CHIP;0.033nF,5%,50V,COG,1608	1	SA	
AR50	2007-001010	R-CHIP;51Kohm,5%,1/10W,TP,1608	1	SA		C820	2203-000783	C-CER,CHIP;0.33nF,5%,50V,COG,1608	1	SA	
AR52	2007-000078	R-CHIP;1Kohm,5%,1/10W,TP,1608	1	SA		C821	2203-000783	C-CER,CHIP;0.33nF,5%,50V,COG,1608	1	SA	
AR54	2007-000102	R-CHIP;100Kohm,5%,1/10W,TP,1608	1	SA		C822	2203-002236	C-CER,CHIP;0.1nF,5%,50V,COG,1608	1	SA	
AR55	2007-000077	R-CHIP;470ohm,5%,1/10W,TP,1608	1	SA		C824	2401-000913	C-AL;22uF,20%,16V,GP,TP,5x11,5	1	SA	
AVC01	2203-005819	C-CER,CHIP;100nF,+80-20%,16V,Y5V,-	1	SA		C825	2401-000414	C-AL;10uF,20%,16V,GP,TP,4x7,5	1	SA	
AVC02	2203-005819	C-CER,CHIP;100nF,+80-20%,16V,Y5V,-	1	SA		C827	2401-000414	C-AL;10uF,20%,16V,GP,TP,4x7,5	1	SA	
AVC03	2203-005819	C-CER,CHIP;100nF,+80-20%,16V,Y5V,-	1	SA		C829	2401-000414	C-AL;10uF,20%,16V,GP,TP,4x7,5	1	SA	
AVC49	2203-005148	C-CER,CHIP;100nF,10%,16V,X7R,TP,160	1	SA		C830	2203-005148	C-CER,CHIP;100nF,10%,16V,X7R,TP,160	1	SA	
AVC50	2203-005148	C-CER,CHIP;100nF,10%,16V,X7R,TP,160	1	SA		C832	2401-000414	C-AL;10uF,20%,16V,GP,TP,4x7,5	1	SA	
AVQ02	0501-000341	TR-SMALL SIGNAL;KSC1623-L,NPN,200mW	1	SA		C833	2203-002236	C-CER,CHIP;0.1nF,5%,50V,COG,1608	1	SA	
AVQ03	0501-000341	TR-SMALL SIGNAL;KSC1623-L,NPN,200mW	1	SA		C834	2203-005148	C-CER,CHIP;100nF,10%,16V,X7R,TP,160	1	SA	
AVQ04	0501-000341	TR-SMALL SIGNAL;KSC1623-L,NPN,200mW	1	SA		C835	2401-002165	C-AL;100uF,20%,16V,GP,TP,6.3x7,5	1	SA	
AVQ05	0501-000341	TR-SMALL SIGNAL;KSC1623-L,NPN,200mW	1	SA		C836	2203-002257	C-CER,CHIP;10nF,10%,50V,X7R,TP,1608	1	SA	
AVQ06	0501-000341	TR-SMALL SIGNAL;KSC1623-L,NPN,200mW	1	SA		C837	2401-000414	C-AL;10uF,20%,16V,GP,TP,4x7,5	1	SA	
AVR40	2007-000060	R-CHIP;100Kohm,1%,1/10W,TP,1608	1	SA		C838	2401-000414	C-AL;10uF,20%,16V,GP,TP,4x7,5	1	SA	
AVR41	2007-000060	R-CHIP;100Kohm,1%,1/10W,TP,1608	1	SA		C839	2401-000414	C-AL;10uF,20%,16V,GP,TP,4x7,5	1	SA	
AVR42	2007-000060	R-CHIP;100Kohm,1%,1/10W,TP,1608	1	SA		C840	2203-005148	C-CER,CHIP;100nF,10%,16V,X7R,TP,160	1	SA	
AVR43	2007-000060	R-CHIP;100Kohm,1%,1/10W,TP,1608	1	SA		C841	2203-005148	C-CER,CHIP;100nF,10%,16V,X7R,TP,160	1	SA	
AVR44	2007-000060	R-CHIP;100Kohm,1%,1/10W,TP,1608	1	SA		C842	2203-000491	C-CER,CHIP;2.2nF,10%,50V,X7R,1608	1	SA	
AVR45	2007-000060	R-CHIP;100Kohm,1%,1/10W,TP,1608	1	SA		C843	2203-000783	C-CER,CHIP;0.33nF,5%,50V,COG,1608	1	SA	
AVR54	2007-000119	R-CHIP;560ohm,5%,1/10W,TP,1608	1	SA		C844	2203-000783	C-CER,CHIP;0.33nF,5%,50V,COG,1608	1	SA	
AVR55	2007-000119	R-CHIP;560ohm,5%,1/10W,TP,1608	1	SA		C845	2203-000783	C-CER,CHIP;0.33nF,5%,50V,COG,1608	1	SA	
AVR56	2007-000119	R-CHIP;560ohm,5%,1/10W,TP,1608	1	SA		C846	2203-000783	C-CER,CHIP;0.33nF,5%,50V,COG,1608	1	SA	
AVR57	2007-000119	R-CHIP;560ohm,5%,1/10W,TP,1608	1	SA		C847	2203-000783	C-CER,CHIP;0.33nF,5%,50V,COG,1608	1	SA	
AVR58	2007-000119	R-CHIP;560ohm,5%,1/10W,TP,1608	1	SA		C849	2203-000783	C-CER,CHIP;0.33nF,5%,50V,COG,1608	1	SA	
AZ1	0403-001083	DIODE-ZENER;UDZ9.1B,8.85-9.23V,200M	1	SA		C851	2401-000414	C-AL;10uF,20%,16V,GP,TP,4x7,5	1	SA	
AZ2	0403-001083	DIODE-ZENER;UDZ9.1B,8.85-9.23V,200M	1	SA		C855	2401-000414	C-AL;10uF,20%,16V,GP,TP,4x7,5	1	SA	
AZ3	0403-001083	DIODE-ZENER;UDZ9.1B,8.85-9.23V,200M	1	SA		C857	2203-002236	C-CER,CHIP;0.1nF,5%,50V,COG,1608	1	SA	
AZ4	0403-001083	DIODE-ZENER;UDZ9.1B,8.85-9.23V,200M	1	SA		C860	2203-002236	C-CER,CHIP;0.1nF,5%,50V,COG,1608	1	SA	

Exploded Views and Parts List

Loc.No	Parts No.	Description : Specification	Q'ty	S.N.A	Remark	Loc.No	Parts No.	Description : Specification	Q'ty	S.N.A	Remark
C861	2203-000236	C-CER,CHIP:0.1nF,5%,50V,COG,1608	1	SA		L810	2701-000181	INDUCTOR-AXIAL:33uH,5%,2434	1	SA	
C867	2203-000491	C-CER,CHIP:2.2nF,10%,50V,X7R,1608	1	SA		L8SC01	2701-000181	INDUCTOR-AXIAL:33uH,5%,2434	1	SA	
C8SC01	2401-000414	C-AL:10uF,20%,16V,GP,TP,4x7,5	1	SA		L8SC02	2701-000181	INDUCTOR-AXIAL:33uH,5%,2434	1	SA	
C8SC02	2401-000414	C-AL:10uF,20%,16V,GP,TP,4x7,5	1	SA		L8SC03	2701-000181	INDUCTOR-AXIAL:33uH,5%,2434	1	SA	
C8SC03	2203-000783	C-CER,CHIP:0.33nF,5%,50V,COG,1608	1	SA		L8SC04	2701-000181	INDUCTOR-AXIAL:33uH,5%,2434	1	SA	
C8SC04	2401-000414	C-AL:10uF,20%,16V,GP,TP,4x7,5	1	SA		L8SC05	AC27-92001M	COIL-INDUCTOR;RH3.5X6.5RS,BEAD(RADI	1	SC	
C8SC05	2203-000783	C-CER,CHIP:0.33nF,5%,50V,COG,1608	1	SA		L8SC06	2703-000397	INDUCTOR-SMD:33uH,10%,2520	1	SA	
C8SC06	2401-000414	C-AL:10uF,20%,16V,GP,TP,4x7,5	1	SA		L8SC07	2703-000397	INDUCTOR-SMD:33uH,10%,2520	1	SA	
C8SC07	2203-000236	C-CER,CHIP:0.1nF,5%,50V,COG,1608	1	SA		Q810	0501-000341	TR-SMALL SIGNAL:KSC1623-L,NPN,200mW	1	SA	
C8SC08	2203-000257	C-CER,CHIP:10nF,10%,50V,X7R,TP,1608	1	SA		Q8SC01	0504-000152	TR-DIGITAL;KSR2101,PNP,200mW,4.7K/4	1	SA	
C8SC09	2401-001479	C-AL:470uF,20%,10V,GP,TP,6.3*11mm,5	1	SA		Q8SC02	0501-000341	TR-SMALL SIGNAL:KSC1623-L,NPN,200mW	1	SA	
C8SC10	2203-000236	C-CER,CHIP:0.1nF,5%,50V,COG,1608	1	SA		Q8SC03	0501-000341	TR-SMALL SIGNAL:KSC1623-L,NPN,200mW	1	SA	
CD701	2203-000041	C-CER,CHIP:0.01nF,0.25pF,50V,COG,16	1	SA		R403	2007-000074	R-CHIP;100ohm,5%,1/10W,TP,1608	1	SA	
CD702	2203-000041	C-CER,CHIP:0.01nF,0.25pF,50V,COG,16	1	SA		R404	2007-000074	R-CHIP;100ohm,5%,1/10W,TP,1608	1	SA	
CD703	2203-000041	C-CER,CHIP:0.01nF,0.25pF,50V,COG,16	1	SA		R405	2007-000070	R-CHIP;0ohm,5%,1/10W,TP,1608	1	SA	
CD704	2203-000041	C-CER,CHIP:0.01nF,0.25pF,50V,COG,16	1	SA		R407	2007-000070	R-CHIP;0ohm,5%,1/10W,TP,1608	1	SA	
CN01J	3708-000270	CONNECTOR-FPC/FFC/PIC;33P,1.25MM,ST	1	SA		R411	2007-000074	R-CHIP;100ohm,5%,1/10W,TP,1608	1	SA	
CN06	3710-002369	SOCKET-BOARD TO BOARD;11P,2R,1.25mm	1	SA		R801	2007-001167	R-CHIP;75ohm,5%,1/10W,TP,1608	1	SA	
CN2	3708-001167	CONNECTOR-FPC/FFC/PIC;14P,1.25mm,ST	1	SA		R802	2007-001167	R-CHIP;75ohm,5%,1/10W,TP,1608	1	SA	
CNC4B	2203-000236	C-CER,CHIP:0.1nF,5%,50V,COG,1608	1	SA		R803	2007-001167	R-CHIP;75ohm,5%,1/10W,TP,1608	1	SA	
CNC4G	2203-000236	C-CER,CHIP:0.1nF,5%,50V,COG,1608	1	SA		R807	2007-001167	R-CHIP;75ohm,5%,1/10W,TP,1608	1	SA	
CNC4R	2203-000236	C-CER,CHIP:0.1nF,5%,50V,COG,1608	1	SA		R810	2007-000074	R-CHIP;100ohm,5%,1/10W,TP,1608	1	SA	
CNL1	3301-001419	BEAD-SMD;220ohm,1608,TP,133ohm/70MH	1	SA		R811	2007-000078	R-CHIP;1Kohm,5%,1/10W,TP,1608	1	SA	
CNL2	3301-001419	BEAD-SMD;220ohm,1608,TP,133ohm/70MH	1	SA		R812	2007-000090	R-CHIP;10Kohm,5%,1/10W,TP,1608	1	SA	
CVL1	3301-001419	BEAD-SMD;220ohm,1608,TP,133ohm/70MH	1	SA		R814	2007-000074	R-CHIP;100ohm,5%,1/10W,TP,1608	1	SA	
CVL2	3301-001419	BEAD-SMD;220ohm,1608,TP,133ohm/70MH	1	SA		R815	2007-000643	R-CHIP;270ohm,5%,1/10W,TP,1608	1	SA	
CVL3	3301-001419	BEAD-SMD;220ohm,1608,TP,133ohm/70MH	1	SA		R816	2007-000643	R-CHIP;270ohm,5%,1/10W,TP,1608	1	SA	
D8SC01	0407-000123	DIODE-ARRAY;DAN202K,80V,100mA,CA2-3	1	SA		R824	2001-000281	R-CARBON;100ohm,5%,1/8W,AA,TP,1.8x3	1	SA	
DOC3	2203-005148	C-CER,CHIP:100nF,10%,16V,X7R,TP,160	1	SA		R832	2001-000281	R-CARBON;100ohm,5%,1/8W,AA,TP,1.8x3	1	SA	
DOL1	2901-001273	FILTER-EMI SMD;50V,2A-,220pF,3.2x1	1	SA		R833	2001-000281	R-CARBON;100ohm,5%,1/8W,AA,TP,1.8x3	1	SA	
DOL2	3301-001419	BEAD-SMD;220ohm,1608,TP,133ohm/70MH	1	SA		R836	2007-001167	R-CHIP;75ohm,5%,1/10W,TP,1608	1	SA	
DOL3	3301-001670	BEAD-SMD;60ohm,2012,3000mA,TP,,,0,0	1	SA		R837	2007-000098	R-CHIP;56Kohm,5%,1/10W,TP,1608	1	SA	
DOL4	2007-000070	R-CHIP;0ohm,5%,1/10W,TP,1608	1	SA		R838	2007-000098	R-CHIP;56Kohm,5%,1/10W,TP,1608	1	SA	
DOR1	2007-000075	R-CHIP;220ohm,5%,1/10W,TP,1608	1	SA		R839	2007-000098	R-CHIP;56Kohm,5%,1/10W,TP,1608	1	SA	
DOR2	2007-000040	R-CHIP;150ohm,1%,1/10W,TP,1608	1	SA		R841	2007-000098	R-CHIP;56Kohm,5%,1/10W,TP,1608	1	SA	
DOZ1	0403-001083	DIODE-ZENER;UDZ9.1B,8.85-9.23V,200M	1	SA		R842	2007-000119	R-CHIP;560ohm,5%,1/10W,TP,1608	1	SA	
DOZ2	0403-001083	DIODE-ZENER;UDZ9.1B,8.85-9.23V,200M	1	SA		R843	2001-000281	R-CARBON;100ohm,5%,1/8W,AA,TP,1.8x3	1	SA	
FB701	3301-001309	BEAD-SMD;47ohm,1608,TP,-,-	1	SA		R844	2007-001167	R-CHIP;75ohm,5%,1/10W,TP,1608	1	SA	
FB702	3301-001309	BEAD-SMD;47ohm,1608,TP,-,-	1	SA		R847	2007-000098	R-CHIP;56Kohm,5%,1/10W,TP,1608	1	SA	
FB703	3301-001309	BEAD-SMD;47ohm,1608,TP,-,-	1	SA		R850	2007-001164	R-CHIP;75ohm,1%,1/10W,TP,1608	1	SA	
FB704	3301-001309	BEAD-SMD;47ohm,1608,TP,-,-	1	SA		R854	2007-000098	R-CHIP;56Kohm,5%,1/10W,TP,1608	1	SA	
FL282	3809-001581	FFC CABLE-FLAT;30V,80C,60mm,33P,1.2	1	SA		R857	2007-001131	R-CHIP;68ohm,1%,1/10W,TP,1608	1	SA	
IC801	1001-001519	IC-ANALOG MULTIPLEX;MM1764AQ,6to3 A	1	SA		R860	2007-001164	R-CHIP;75ohm,1%,1/10W,TP,1608	1	SA	
IC805	0801-002771	IC-CMOS LOGIC;74VHC125,3-STARE BUFF	1	SA		R861	2007-000073	R-CHIP;91ohm,5%,1/10W,TP,1608	1	SA	
JACK1	3722-002314	JACK-PIN;6P,SN/NI,WH/RD/BL,YE/WH/RD	1	SA		R862	2007-001164	R-CHIP;75ohm,1%,1/10W,TP,1608	1	SA	
JACK2	3722-002022	JACK-PIN;3P,NI,GRN/BLU/RED,ANGLE	1	SA		R863	2007-000073	R-CHIP;91ohm,5%,1/10W,TP,1608	1	SA	
JL1	3301-001419	BEAD-SMD;220ohm,1608,TP,133ohm/70MH	1	SA		R864	2007-000115	R-CHIP;82ohm,5%,1/10W,TP,1608	1	SA	
JL2	3301-001419	BEAD-SMD;220ohm,1608,TP,133ohm/70MH	1	SA		R865	2007-000115	R-CHIP;82ohm,5%,1/10W,TP,1608	1	SA	
JR1	2007-000070	R-CHIP;0ohm,5%,1/10W,TP,1608	1	SA		R8SC01	2007-000643	R-CHIP;270ohm,5%,1/10W,TP,1608	1	SA	
JR2	2007-000070	R-CHIP;0ohm,5%,1/10W,TP,1608	1	SA		R8SC02	2007-000643	R-CHIP;270ohm,5%,1/10W,TP,1608	1	SA	
JR3	2007-000070	R-CHIP;0ohm,5%,1/10W,TP,1608	1	SA		R8SC03	2007-000116	R-CHIP;120ohm,5%,1/10W,TP,1608	1	SA	
JR4	2007-000070	R-CHIP;0ohm,5%,1/10W,TP,1608	1	SA		R8SC04	2007-001167	R-CHIP;75ohm,5%,1/10W,TP,1608	1	SA	
JR5	2007-000070	R-CHIP;0ohm,5%,1/10W,TP,1608	1	SA		R8SC05	2001-000969	R-CARBON;75ohm,5%,1/8W,AA,TP,1.8x3	1	SA	
JR6	2007-000070	R-CHIP;0ohm,5%,1/10W,TP,1608	1	SA		R8SC06	2007-000643	R-CHIP;270ohm,5%,1/10W,TP,1608	1	SA	
JR7	2007-000070	R-CHIP;0ohm,5%,1/10W,TP,1608	1	SA		R8SC07	2007-000643	R-CHIP;270ohm,5%,1/10W,TP,1608	1	SA	
JR8	2007-000070	R-CHIP;0ohm,5%,1/10W,TP,1608	1	SA		R8SC08	2007-000643	R-CHIP;270ohm,5%,1/10W,TP,1608	1	SA	
L802	3301-001670	BEAD-SMD;60ohm,2012,3000mA,TP,,,0,0	1	SA		R8SC09	2007-000643	R-CHIP;270ohm,5%,1/10W,TP,1608	1	SA	
L803	3301-001670	BEAD-SMD;60ohm,2012,3000mA,TP,,,0,0	1	SA		R8SC10	2007-000134	R-CHIP;33Kohm,5%,1/10W,TP,1608	1	SA	
L809	2701-000181	INDUCTOR-AXIAL:33uH,5%,2434	1	SA		R8SC11	2007-000094	R-CHIP;22Kohm,5%,1/10W,TP,1608	1	SA	

Exploded Views and Parts List

Loc.No	Parts No.	Description : Specification	Q'ty	S.N.A	Remark	Loc.No	Parts No.	Description : Specification	Q'ty	S.N.A	Remark
S.N.A	AC61-00404A	POST-PINCH ROLLER;X-13,SUS XM-7,-,-	1	SNA		T021	AC66-00115A	LEVER-IDLE;X-13,POM,T15,W38,L25,-N	1	SA	
S.N.A	AC61-21006A	CAP-PINCH;X-9,POM,-,-,-,-,-	1	SNA		T022	AC66-00114A	GEAR-IDLE;X-13,PET,0.5,54,27,NAT,27	2	SA	
S.N.A	AC66-00015A	LEVER-PINCH SUB;TS-10,SECC E20/20,0	1	SNA		T023	AC97-02562A	ASSY-LEVER TENSION;-X-13,-	1	SA	
S.N.A	AC66-00110A	LEVER-PINCH MAIN;X-13,SECC,T1.2,W25	1	SNA		T024	AC61-00107A	SPRING ETC-TENSION LEVER;TS-10,SUS3	1	SA	
S.N.A	AC66-00128A	ROLLER-PINCH;-Rubber,14,18,NAT,-,P	1	SNA		T025	AC97-02560A	ASSY-BAND BRAKE;-X-13,-	1	SA	
S.N.A	AC97-02621A	ASSY-GUIDE BLOCK;-X-13A,-	1	SNA		T026	AC97-02567A	ASSY-LEVER BRAKE S;-X-13,-	1	SA	
S.N.A	AC61-00385A	BASE-TAKE UP SLIDER;X-13,PPS(Ryton)	1	SNA		T027	AC97-02568A	ASSY-LEVER BRAKE T;-X-13,-	1	SA	
S.N.A	AC61-00405A	POST-SLANT GUIDE;X-13,SUS303,PI 3.0	1	SNA		T028	AC61-00106A	SPRING ETC-BRAKE;TS-10,SUS304-WPB,-	1	SA	
S.N.A	AC66-40154A	ROLLER-TAKE UP ASSY;-VW-32,OD7,-,X	1	SNA		T029	AC66-00104A	SLIDER-FL DRIVE;X-13,SECC,T1.0,W15,-	1	SA	
S.N.A	AC61-00383A	BASE-SUPPLY SLIDER;X-13,PPS(Ryton R)	1	SNA		T033	AC61-00388A	GUIDE-CASS DOOR;X-13,POM(M90-44 EQU)	1	SA	
S.N.A	AC61-00405A	POST-SLANT GUIDE;X-13,SUS303,PI 3.0	1	SNA		T034	AC66-00103A	GEAR JOINT 1;X-13,POM(M90-44 EQU)-	1	SA	
S.N.A	AC66-40154A	ROLLER-TAKE UP ASSY;-VW-32,OD7,-,X	1	SNA		T035	AC66-00077A	GEAR JOINT 2;X-11,POM(K300)-,-,-,B	1	SA	
S.N.A	AC97-02618A	ASSY-DECK ONLY;-DX13A,L/Speed	1	SNA		T036	AC61-00389A	BRACKET-GEAR;X-13,SECC 20/20,T0.8,-	1	SA	
S.N.A	3708-00163A	CONNECTOR-FPC/FPC/PC;3P,1.25MM,ANG	1	SNA		T037	AC66-00092A	SLIDER-CAM;X-13,SECC 20/20,T1.2,-,-	1	SA	
S.N.A	AC31-12016F	MOTOR-LOADING;MDHB2B66,SCORPIO2(TS-	1	SNA		T038	AC66-00099A	LEVER-PINCH DRIVE;X-13,SECC 20/20,T	1	SA	
S.N.A	AC41-00238A	PCB-LOADING MOTOR;SCORPIO2(TS-10A),	1	SNA		T039	AC70-00003A	HOOK-CAPSTAN;-L10,W10,H10,POM(M9	1	SA	
S.N.A	AC66-00010A	GEAR WORM;TS-10,POM,0.8,1,-,NAT,7.1	1	SNA		T040	AC66-00100A	LEVER-TENSION DRIVE;X-13,SECC 20/20	1	SA	
S.N.A	AC97-02586A	ASSY-M/B BLOCK;-X-13,-	1	SNA		T041	AC66-00078A	GEAR-LOADING DRIVE;X-11,POM(K300)-	1	SA	
S.N.A	AC97-02555A	ASSY-BASE MAIN;-X-13,-	1	SNA		T042	AC97-02557A	ASSY-LEVER LOADING S;-X-13,-	1	SA	
S.N.A	AC61-00342A	POST-LOADING;X-11,SWCH18A,OD3.0,L9.	6	SNA		T043	AC97-02558A	ASSY-LEVER LOADING T;-X-13,-	1	SA	
S.N.A	AC61-00380A	BASE-MAIN;X-13,SECC,T1.2,-,-,MTR,-	1	SNA		T044	3101-001427	MOTOR-CAPSTAN;0rpm,0g,cm,12V,90mA	1	SA	
S.N.A	AC61-00402A	POST-REEL;X-13,SWCH18A,3,-,-,Non-el	1	SNA		T046	AC66-60051A	BELT-PULLEY;-SCM-70,2 * 2,-,71.3,-	1	SA	
S.N.A	AC61-00403A	POST-CENTER;X-13,SWCH18A,-,-,-,Non-	1	SNA		T048	AC97-02566A	ASSY-GEAR CENTER;-X-13,-	1	SA	
S.N.A	AC61-50672A	POST-PINCH LEVER;X-9,SWCH18A,-,L24,	1	SNA		T050	AC66-00111A	LEVER-UP DOWN;X-13,POM,T15,E25,L55,-	1	SA	
S.N.A	AC61-50677A	POST-FL CAM GEAR;X-9,SWCH18A,-,L14,	1	SNA		T053	AC66-00097A	LINK-LOADING S;X-13,SECC 20/20,-,T0	1	SNA	
S.N.A	AC61-00387A	SLEEVE-8 GUIDE;X-13,-,-,-,-,-,BLK	1	SNA		T055	AC66-00098A	LINK-LOADING T;X-13,SECC 20/20,-,T0	1	SNA	
S.N.A	AC61-00401A	POST-#8 GUIDE;X-13,SUS XM-7,2.5,-,-	1	SNA		T057	AC61-00386A	SLEEVE-TENSION;X-13,-,-,2.5,-,-,N	1	SA	
S.N.A	AC97-02608A	ASSY-CAPSTAN BLOCK;-X-13,Phenol/PC	1	SNA		T072	AC97-02622A	ASSY-HOLDER CASSETTE;SECC+POM+SUS,X	1	SA	
S.N.A	AC97-02613A	ASSY-ACE HEAD BLOCK;-X-13A,AE Less	1	SNA		T073	AC61-00397A	SPRING ETC-LOCK;X-13,SWP,B,0.25,2.6	1	SA	
S.N.A	3708-001676	CONNECTOR-FPC/FPC/PC;6P,1.25MM,ANG	1	SA		T074	AC97-02564A	ASSY-LEVER ARM;-X-13,-	1	SA	
S.N.A	AC41-00130A	PCB-ACE HEAD;TS-10,-,-,-,-,-,-,-,-	1	SNA		T075	AC66-00108A	LEVER-DOOR;X-13,POM,-,W30,L75,-,NAT	1	SA	
S.N.A	AC61-00382A	BASE-ACE MAIN;X-13,SECC,T1.2,-,-,NT	1	SNA		T076	AC97-02569A	ASSY-CLUTCH;-X-13,-	1	SA	
S.N.A	AC61-00406A	SPRING ETC-ACE;X-13,SWPB,1,-,7.2,-,-	1	SNA		VS165	AC66-00105A	LEVER-LOCK;X-13,SECC,T1.0,W25,L50,-	1	SNA	
S.N.A	AC33-00019A	HEAD-A/C;HVMXB1016A,-,X13A,-,-	1	SNA		W015	6006-001092	SCREW-MACHINE;PH,+ ,WS,M3.0,L6.0,ZPC	3	SA	
S.N.A	AC97-02623A	ASSY-FL BLOCK;-X-13A,-	1	SNA		W016	6006-001154	SCREW-TAPTITE;PH,+ ,WSP,B,M2.6,L5.6,	1	SA	
S.N.A	AC61-00108A	SPRING ETC-FL ARM R;TS-10,SUS304-WP	1	SNA		W018	6003-001450	SCREW-TAPTITE;PH,+ ,S,M2.6,L5,ZPC(1	SA	
S.N.A	AC66-00106A	LEVER-ARM R;X-13,POM,-,W35,L70,-,NA	1	SNA		W019	6003-000108	SCREW-TAPTITE;BH,+ ,B,M2.6,L6,ZPC(YE	3	SA	
S.N.A	AC66-00107A	LEVER-ARM L;X-13,POM,-,W35,L70,-,NA	1	SNA		W201	6001-001711	SCREW-MACHINE;PH,+ ,M3,L3.3,ZPC(WH	1	SA	
S.N.A	AC70-00004A	PLATE-FL ARM;X-11,SECC E20/20,T1.6,	1	SNA		W291	6001-000506	SCREW-MACHINE;PH,+ ,M2,L6,ZPC(WHT)	3	SNA	
S.N.A	AC61-00392A	PLATE-CASSETTE;X-13,SECC,T0.8,W28,L	1	SNA							
S.N.A	AC61-00393A	HOLDER-CASSETTE R;X-13,POM,-,W35,L7	1	SNA							
S.N.A	AC61-00394A	HOLDER-CASSETTE L;X-13,POM,-,W35,L7	1	SNA							
T001	AC97-02626A	ASSY-CYLINDER;6SS,CX13A-MIRIO,SECAM	1	SA		A001 AK59-00084C	REMOCON-ASSY-DVD-VR375/KEF,SEC.217.	1	SA		
T002	AC61-00391A	PLATE-GROUND DECK;X-13,SPT,0.3,-,-	1	SA		CT01	2401-002144	C-AL;47uF,20%,16V,GP,TP,5x11.5	1	SA	
T003	AC97-01652A	ASSY-LOADING MOTOR;SANKYO LOADING M	1	SNA		CT02	2203-000189	C-CER,CHIP;100nF,+80-20%,25V,Y5V,16	1	SA	
T003	AC31-00018A	MOTOR-LOADING ASSY;-SCORPIO2(TS-10	1	SA		CT03	2203-000440	C-CER,CHIP;1nF,10%,50V,X7R,1608	1	SA	
T004	AC66-00101A	GEAR-WORM WHEEL;X-13,POM(M90-44 EQU)	1	SA		CT04	2203-000189	C-CER,CHIP;100nF,+80-20%,25V,Y5V,16	1	SA	
T005	AC66-00102A	GEAR-FL CAM;X-13,POM(M90-44 EQU)-,-	1	SA		LDT01	0601-000519	LED-IR;ROUND,5mm,170mW,4V,950nm,TP	1	SA	
T006	AC61-00105A	SPRING ETC-PINCH DRIVE;TS-10,SUS304	1	SA		OP8	0401-001110	DIODE-SWITCHING;-80V,100MA,SOD-523	1	SA	
T007	AC61-00390A	PLATE-JOINT;X-13,SECC 20/20,T0.8,-,-	1	SA		QT01	0501-000534	TR-SMALL SIGNAL;2SC2412K,NPN,200mW,	1	SA	
T008	AC97-02570A	ASSY-SLIDER SUPPLY;(PPS)X-13,-	1	SA		RT01	2007-000882	R-CHIP;4.7ohm,5%,1/10W,TP,1608	1	SA	
T009	AC97-02556A	ASSY-SLIDER TAKE UP;-X-13,-	1	SA		RT02	2007-000071	R-CHIP;22ohm,5%,1/10W,TP,1608	1	SA	
T010	AC97-02625A	ASSY-HEAD A/C;-X-13A,-	1	SA		RT03	2007-000029	R-CHIP;0ohm,5%,1/8W,TP,2012	1	SA	
T011	AC66-00094A	LEVER-9 GUIDE;X-13,PPS,-,-,-,-,BROW	1	SA		RT04	2007-000033	R-CHIP;0ohm,5%,1/4W,TP,3216	1	SA	
T013	AC33-00018A	HEAD-FULL ERASE;-,-,X-13,-,-	1	SA		XT01	2802-001094	RESONATOR-CERAMIC;4MHz,0.5%,TP,8x3x	1	SA	
T015	AC97-02620A	ASSY-UNIT PINCH;-X-13A,-	1	SA							
T016	AC97-02563A	ASSY-POST #8 GUIDE;-X-13,PI 2.5	1	SA							
T019	AC66-00124A	REEL-S;X-13,POM,-,BLK,2.5,-,27,-	1	SA		C136	AK61-00310A	BRACKET-FRAME;DVD-VR300,SECC,T1.2,W	1	SA	
T020	AC66-00123A	REEL-T;X-13,POM,-,BLK,2.5,-,36.5,-	1	SA							

Exploded Views and Parts List

Loc.No	Parts No.	Description : Specification	Q'ty	S.N.A	Remark
C-RCA	AC39-00073A	CABLE-RCA;SJ01-08-099,1,2MT,3P,AV,	1	SA	
C-RF	AC39-00017A	CABLE-ETC-RF(PAL);-MALE/FEMALE,120	1	SC	
I/B	AK68-01513E	MANUAL USERS;DVD-VR375/XEG,XEG,GER,	1	SA	
P-CASE	AK69-00605F	PACKING CASE;DVD-VR370/XEF,CB,SW2,	1	SA	
W001	6003-000275	SCREW-TAPTITE;BH,+,-,B,M3,L10,ZPC/B	9	SA	
W009	6003-000276	SCREW-TAPTITE;BH,+,-,B,M3,L10,ZPC/W	5	SA	
W252	AC60-12126A	SCREW-MACHINE;TH,+,-,M4,L12,ZPC(WHT	4	SC	
W272	6003-001464	SCREW-TAPTITE;BH,+,-,B,M3,L10,ZPC(WHT	19	SA	
W275	6003-001561	SCREW-TAPTITE;BH,+,-,B,M3,L6,ZPC(WH	8	SA	

Loc.No	Parts No.	Description : Specification	Q'ty	S.N.A	Remark
--------	-----------	-----------------------------	------	-------	--------

MEMO