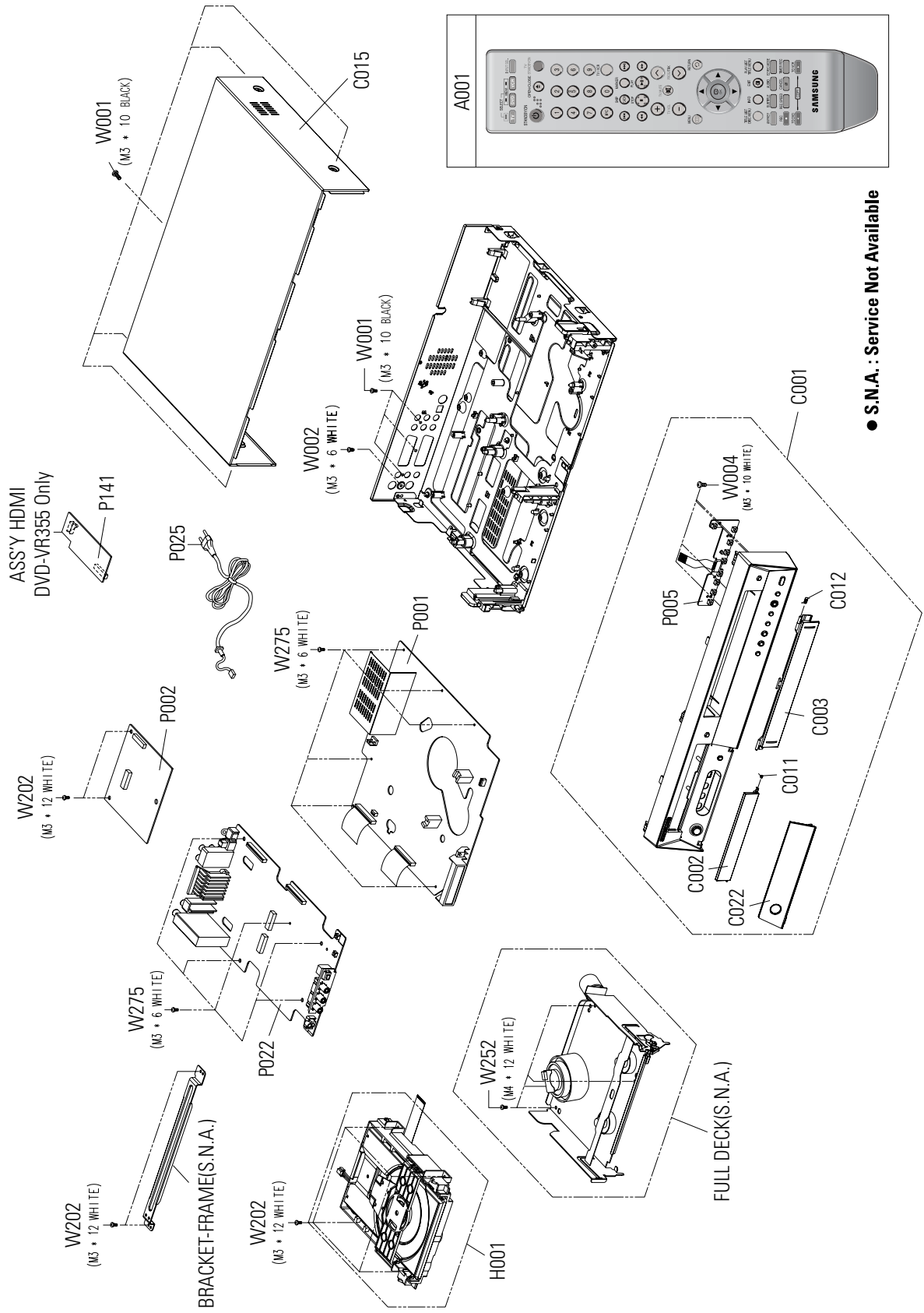

7. Exploded View and Parts List

7-1 Cabinet Assembly (Europe) - - - - -	7-2
7-2 VCR Mechanical Parts (Top Side) - - - - -	7-4
7-3 VCR Mechanical Parts (Bottom Side) - - - - -	7-6

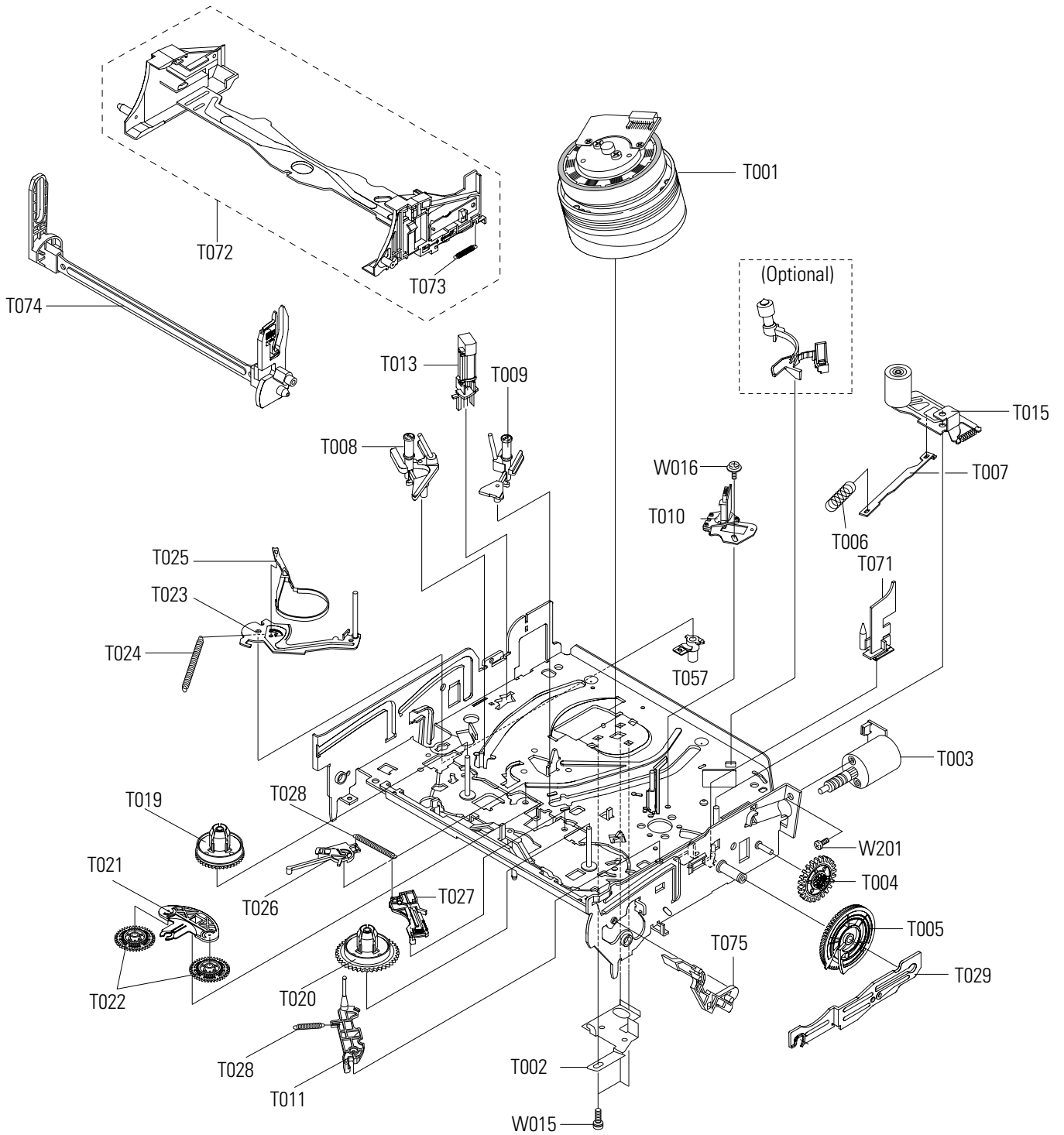
7-1 Cabinet Assembly (Europe)



● S.N.A. : Service Not Available

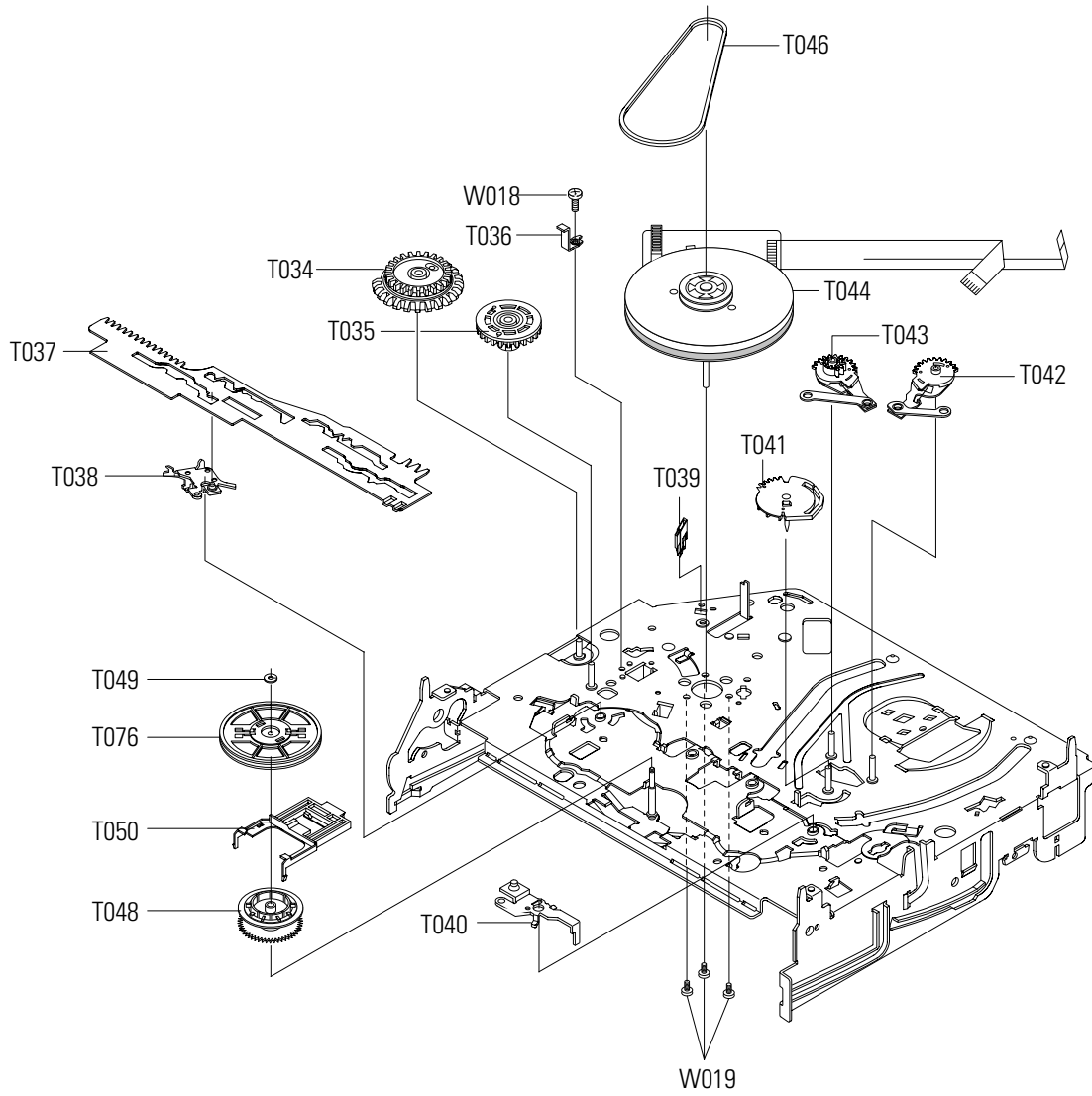
Loc. No	Parts No.	Description ; Specification	Qty	S.N.A	Remark
A001	AK59-00062B	REMOCON-ASSY;DVD-VR355/XEU,SEC,	1	SA	
C001	AK97-01893P	ASSY-PANEL FRONT;HIPS94,DVD-VR3	1	SA	DVD-VR350/NWT,XET
	AK97-01893G	ASSY-PANEL FRONT;HIPS94HB,DVD-V	1	SA	DVD-VR350/XEB
C002	AK64-01961B	DOOR-TRAY;DVD-VR350/XAC,ABS94HB	1	SA	
C003	AK64-01960E	DOOR-CASSETTE;DVD-VR350/XEF,ABS	1	SA	DVD-VR350/XEB
	AK64-01960B	DOOR-CASSETTE;DVD-VR355/XEU,ABS	1	SA	DVD-VR350/XET
	AK64-01960C	DOOR-CASSETTE;SV-CR6700,ABS94HB	1	SA	DVD-VR350/NWT
C011	AK64-00334A	DOOR-SPRING;DVD-V3500,SWPB,,,,-	1	SA	
C012	AC61-62032A	SPRING ETC-MASK;SV-C130,SUS,4.4	1	SA	
C015	AK64-01553A	CABINET-TOP;DVD-VR330/XEG,TEXTU	1	SA	
C022	AK64-01973A	DOOR-FRONT;DVD-VR357,ABS 94 HB,	1	SA	
H001	AK97-01883B	ASSY-LOADER;-;DVD-R150,RAM Mult	1	SA	
P001	AK92-01216C	ASSY PCB-MAIN VCR;DVD-VR350/XEV	1	SA	DVD-VR350/NWT
	AK92-01216A	ASSY PCB-MAIN VCR;DVD-VR355,Nex	1	SA	DVD-VR350/XET
	AK92-01216B	ASSY PCB-MAIN VCR;DVD-VR355/XEF	1	SA	DVD-VR350/XEB
P002	AK92-01217C	ASSY PCB-MAIN DVD;DVD-VR350/XEG	1	SA	
P005	AK92-01220A	ASSY PCB-FUNCTION;DVD-VR355,Nex	1	SA	
P022	AK92-01218A	ASSY PCB-JACK;DVD-VR355,Nexus,H	1	SA	DVD-VR350/NWT,XET
	AK92-01218B	ASSY PCB-JACK;DVD-VR355/XEF,Nex	1	SA	DVD-VR350/XEB
P025	3903-000176	CBF-POWER CORD;AT,EU,CP2,HOUSIN	1	SA	
W001	6003-000275	SCREW-TAPTITE;BH,+,-,B,M3,L10,Z	8	SA	
W202	6003-000277	SCREW-TAPTITE;BH,+,-,B,M3,L12,Z	8	SA	
W252	AC60-12126A	SCREW-MACHINE;TH,+,-,M4,L12,ZPC	4	SC	
W275	6003-001561	SCREW-TAPTITE;BH,+,-,B,M3,L6,ZP	11	SA	
W004	6003-000283	SCREW-TAPTITE;BH,+,-,B,M3,L8,ZP	4	SA	
W002	6002-000398	SCREW-TAPPING;BH,+,-,2,M3,L6,ZP	1	SA	

7-2 VCR Mechanical Parts (Top Side)



Loc. No	Parts No.	Description ; Specification	Qty	S.N.A	Remark
T001	AC97-02626A	ASSY-CYLINDER;6SS,CX13A-MIRIO,S	1	SA	
T002	AC61-00391A	PLATE-GROUND DECK;X-13,SPTE,T0.	1	SA	
T003	AC31-00018A	MOTOR-LOADING ASSY;-;SCORPIO2(T	1	SA	
T004	AC66-00101A	GEAR-WORM WHEEL;X-13,POM(M90-44	1	SA	
T005	AC66-00102A	GEAR-FL CAM;X-13,POM(M90-44 EQU	1	SA	
T006	AC61-00105A	SPRING ETC-PINCH DRIVE;TS-10,SU	1	SA	
T007	AC61-00390A	PLATE-JOINT;X-13,SECC 20/20,T0.	1	SA	
T008	AC97-02570A	ASSY-SLIDER SUPPLY;(PPS),X-13,-	1	SA	
T009	AC97-02556A	ASSY-SLIDER TAKE UP;-;X-13,-	1	SA	
T010	AC97-02625A	ASSY-HEAD A/C;-;X-13A,-	1	SA	
T011	AC66-00094A	LEVER-9 GUIDE;X-13,PPS;-;-;-;	1	SA	
T013	AC33-00020A	HEAD-FULL ERASE;-;FERRITE;-;BLA	1	SA	
T015	AC97-02620A	ASSY-UNIT PINCH;-;X-13A,-	1	SA	
T019	AC66-00124A	REEL-S;X-13,POM;-;BLK,2.5,-;27,	1	SA	
T020	AC66-00123A	REEL-T;X-13,POM;-;BLK,2.5,-;36.	1	SA	
T021	AC66-00115A	LEVER-IDLE;X-13,POM,T15,W38,L25	1	SA	
T022	AC66-00114A	GEAR-IDLE;X-13,PET,0.5,54,27,NA	2	SA	
T023	AC97-02562A	ASSY-LEVER TENSION;-;X-13,-	1	SA	
T024	AC61-00107A	SPRING ETC-TENSION LEVER;TS-10,	1	SA	
T025	AC97-02560A	ASSY-BAND BRAKE;-;X-13,-	1	SA	
T026	AC97-02567A	ASSY-LEVER BRAKE S;-;X-13,-	1	SA	
T027	AC97-02568A	ASSY-LEVER BRAKE T;-;X-13,-	1	SA	
T028	AC61-00106A	SPRING ETC-BRAKE;TS-10,SUS304-W	2	SA	
T029	AC66-00104A	SLIDER-FL DRIVE;X-13,SECC,T1.0,	1	SA	
T057	AC61-00386A	SLEEVE-TENSION;X-13;-;2.5,-;-	1	SA	
T071	AC61-00388A	GUIDE-CASS DOOR;X-13,POM(M90-44	1	SA	
T072	AC97-02622A	ASSY-HOLDER CASSETTE;SECC+POM+S	1	SA	
T073	AC61-00397A	SPRING ETC-LOCK;X-13,SWP-B,0.25	1	SA	
T074	AC97-02564A	ASSY-LEVER ARM;-;X-13,-	1	SA	
T075	AC66-00108A	LEVER-DOOR;X-13,POM;-;W30,L75,-	1	SA	
W015	6006-001092	SCREW-MACHINE;PH,+;WS,M3.0,L6.0	3	SA	
W016	6006-001154	SCREW-TAPTITE;PH,+;WSPB,M2.6,L	1	SA	
W201	6001-001711	SCREW-MACHINE;PH,+;-;M3,L3.3,ZP	1	SA	

7-3 VCR Mechanical Parts (Bottom Side)



Loc. No	Parts No.	Description ; Specification	Qty	S.N.A	Remark
T034	AC66-00103A	GEAR-JOINT 1;X-13,POM(M90-44 EQ	1	SA	
T035	AC66-00077A	GEAR-JOINT 2;X-11,POM(K300),-,-	1	SA	
T036	AC61-00389A	BRACKET-GEAR;X-13,SECC 20/20,TO	1	SA	
T037	AC66-00092A	SLIDER-CAM;X-13,SECC 20/20,T1.2	1	SA	
T038	AC66-00099A	LEVER-PINCH DRIVE;X-13,SECC 20/	1	SA	
T039	AC70-00003A	HOOK-CAPSTAN;-,-,L10,W10,H10,PO	1	SA	
T040	AC66-00100A	LEVER-TENSION DRIVE;X-13,SECC 2	1	SA	
T041	AC66-00078A	GEAR-LOADING DRIVE;X-11,POM(K30	1	SA	
T042	AC97-02557A	ASSY-LEVER LOADING S;- ,X-13,-	1	SA	
T043	AC97-02558A	ASSY-LEVER LOADING T;- ,X-13,-	1	SA	
T044	3101-001430	MOTOR-CAPSTAN;0rpm,0g.cm,12V,90	1	SC	
T046	AC66-60051A	BELT-PULLEY;- ,5CM-70,2 * 2,- ,71	1	SA	
T048	AC97-02566A	ASSY-GEAR CENTER;- ,X-13,-	1	SA	
T049	AC60-30306A	FASTENER-WASHER SLIT;- ,-,ID2.1,	1	SA	
T050	AC66-00111A	LEVER-UP DOWN;X-13,POM,T15,E25,	1	SA	
T076	AC97-02569A	ASSY-CLUTCH;- ,X-13,-	1	SA	
W018	6003-001450	SCREW-TAPTITE;PH,+,- ,S,M2.6,L5,	1	SA	
W019	6003-000108	SCREW-TAPTITE;BH,+ ,B,M2.6,L6,ZP	3	SA	

MEMO