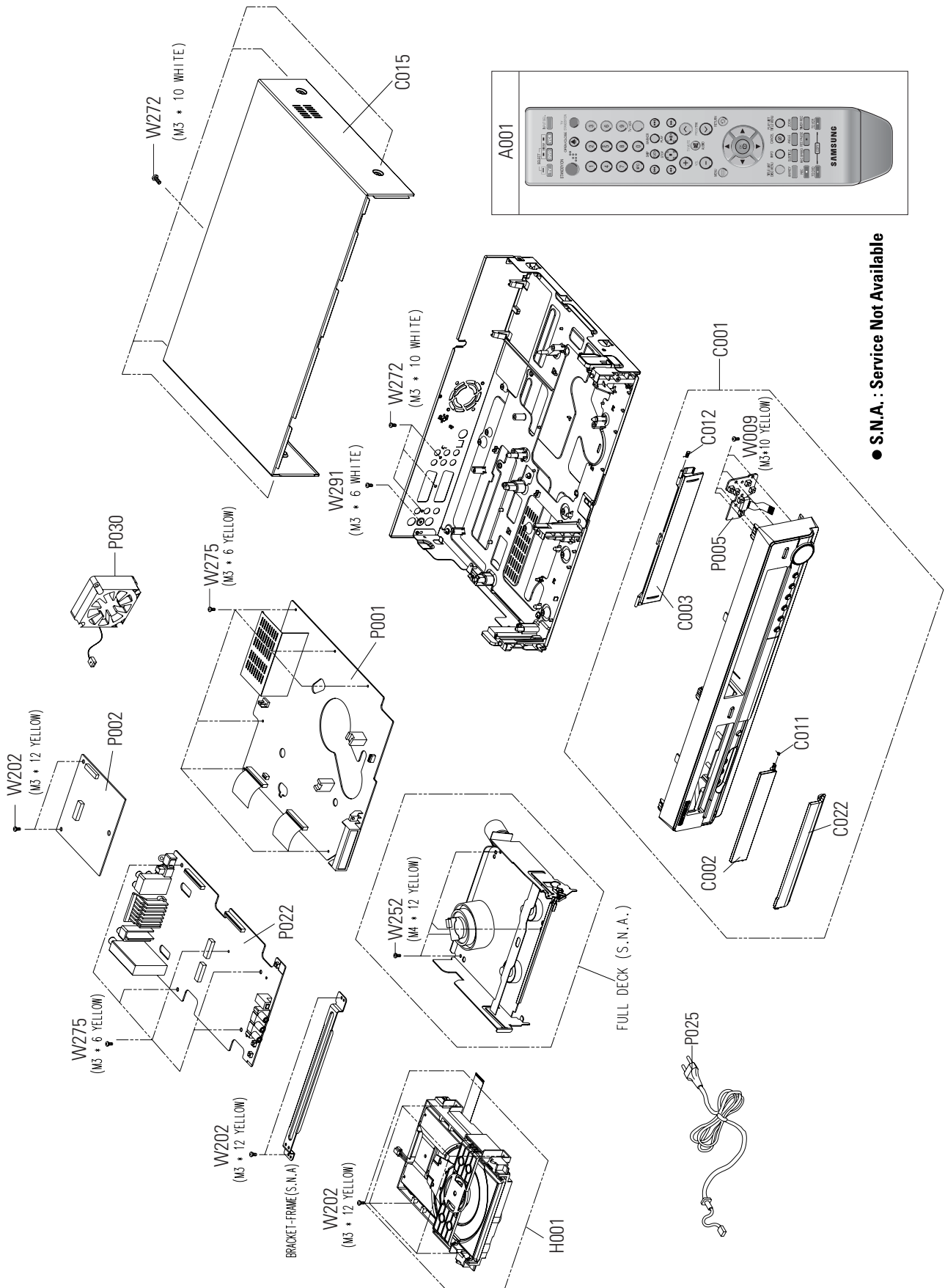

7. Exploded View and Parts List

7-1 Cabinet Assembly - - - - -	7-2
7-2 VCR Mechanical Parts (Top Side) - - - - -	7-4
7-3 VCR Mechanical Parts (Bottom Side) - - - - -	7-6

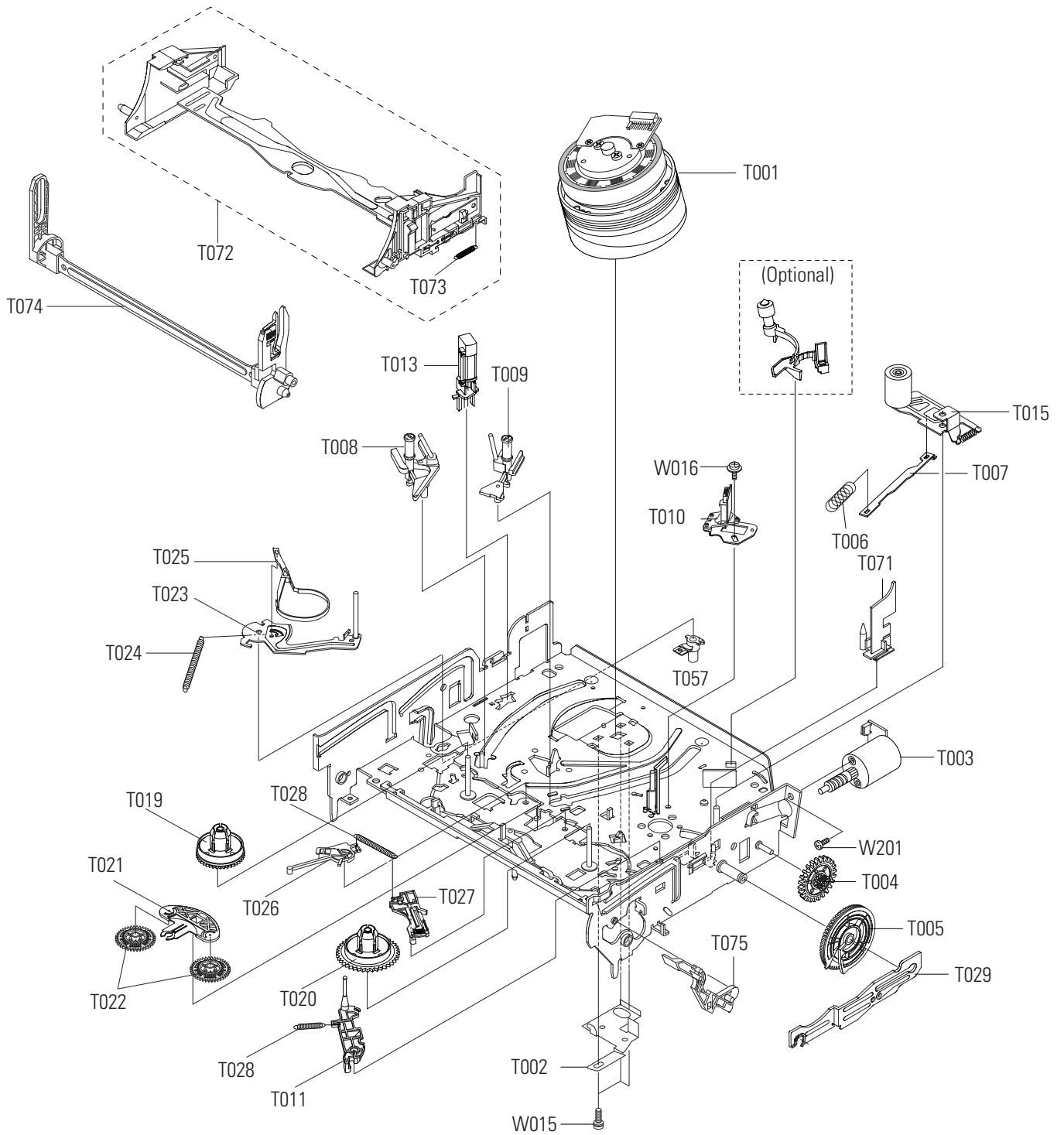
7-1 Cabinet Assembly



● S.N.A. : Service Not Available

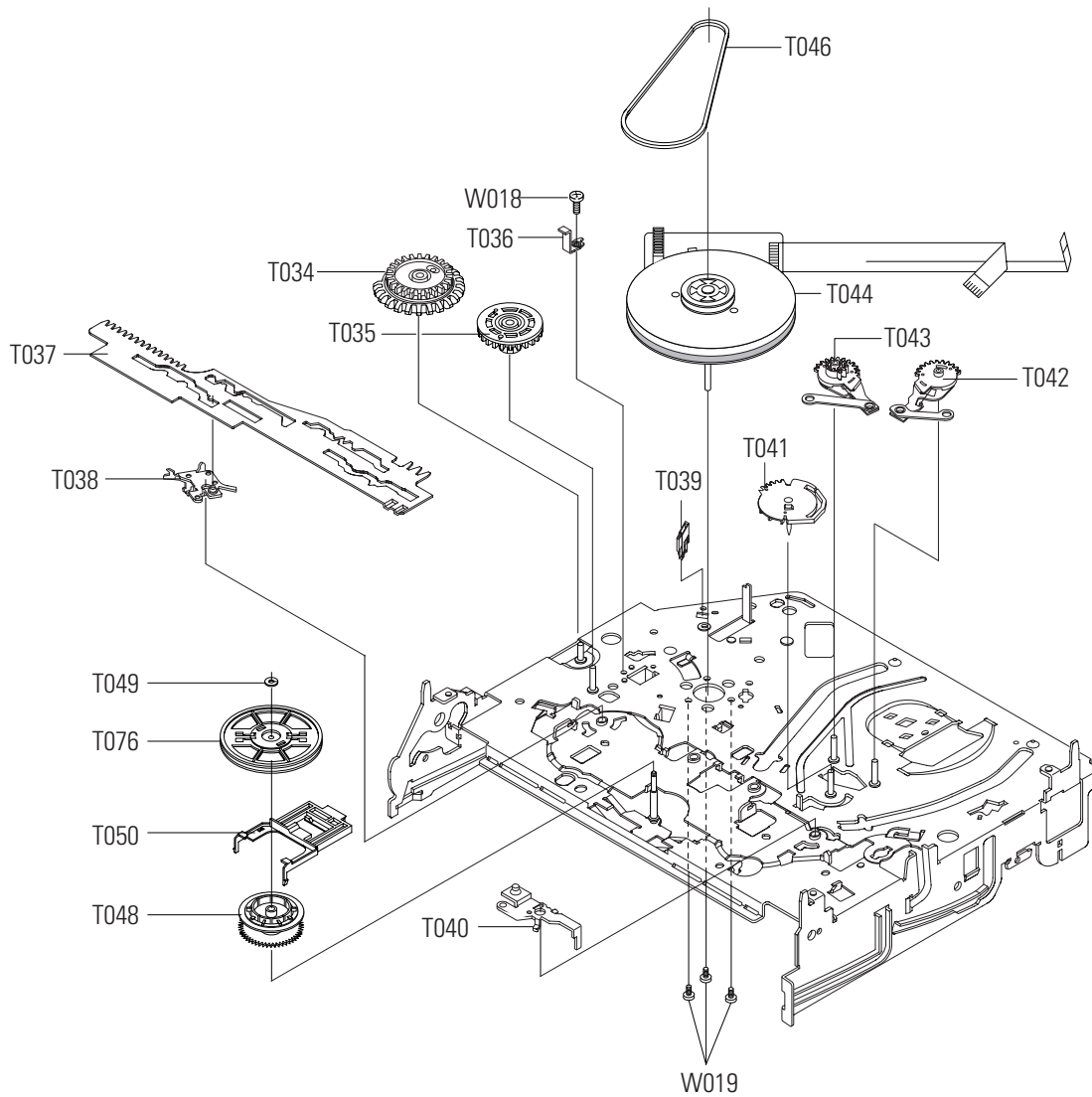
Loc. No	Parts No.	Description ; Specification	Q'ty	S.N.A	Remark
A001	AK59-00053B	REMOCON-ASSY;DVD-VR330/XEG,SEC,217.5*48*	1	SA	
C001	AK97-01444B	ASSY-PANEL FRONT;HIPS94HB,DVD-VR330/XEG,	1	SA	DVD-VR330/XEG,XET,XEC,XEN,XEU
	AK97-01444C	ASSY-PANEL FRONT;HIPS94HB,DVD-VR33	1	SA	DVD-VR330/XEF
C002	AK64-01466B	DOOR-TRAY;DVD-VR330/XEG,ABS94HB,T2.35,H2	1	SA	
C003	AK64-01467B	DOOR-CASSETTE;DVD-VR330/XEG,ABS94HB,T2.0	1	SA	DVD-VR330/XEG,XET,XEC,XEN,XEU
	AK64-01467C	DOOR-CASSETTE;DVD-VR330/XEF,ABS94H	1	SA	DVD-VR330/XEF
C011	AK64-00334A	DOOR-SPRING;DVD-V3500,SWPB,,,,-,	1	SA	
C012	AC61-62032A	SPRING ETC-MASK;SV-C130,SUS,4.4,-,-,-,-,	1	SA	
C015	AK64-01553B	CABINET-TOP;DVD-VR330/XEG,TEXTURE,T0.5,W	1	SA	
C022	AK64-01477B	DOOR-FRONT;DVD-VR330/XEG(SES),HIPS 94HB	1	SA	
H001	AK97-01553A	ASSY-LOADER;- ,SV-R3600,LOADER ASSY	1	SA	
P001	AK92-00855A	ASSY PCB-MAIN VCR;DVD-VR330/XEG,RECORDER	1	SA	DVD-VR330/XEG,XET,XEC,XEN,XEU
	AK92-00855B	ASSY PCB-MAIN VCR;DVD-VR330/XEF,RE	1	SA	DVD-VR330/XEF
P002	AK92-00960A	ASSY PCB-MAIN;DVD-VR330/XEG,PAL,W/O DV-I	1	SA	
P005	AK92-00875A	ASSY PCB-FUNCTION;DVD-VR330/XEG,RECORDER	1	SA	
P022	AK92-00856A	ASSY PCB-JACK;DVD-VR330/XEG,RECORDER-COM	1	SA	DVD-VR330/XEG,XET,XEC,XEN,XEU
	AK92-00856B	ASSY PCB-JACK;DVD-VR330/XEF,RECORD	1	SA	DVD-VR330/XEF
P025	3903-000176	CBF-POWER CORD;AT,EU,CP2,HOUSING(2P),250	1	SA	DVD-VR330/XEG,XET,XEC,XEN,XEF
	3903-000175	CBF-POWER CORD;AT,GB,GP2,HOUSING(2	1	SA	DVD-VR330/XEU
P030	3103-001171	FAN-DC;DC 12.0V,180mA,2500rpm,0.1578m	1	SA	
W009	6003-000276	SCREW-TAPTITE;BH,+,-,B,M3,L10,ZPC(YEL),S	4	SA	
W202	6003-000277	SCREW-TAPTITE;BH,+ ,B,M3,L12,ZPC(YEL),SWR	8	SA	
W252	AC60-12126A	SCREW-MACHINE;TH,+,-,M4,L12,ZPC(YEL),SWR	4	SC	
W272	6003-001464	SCREW-TAPTITE;BH,+ ,B,M3,L10,ZPC(WHT)	8	SA	
W275	6003-001561	SCREW-TAPTITE;BH,+,-,B,M3,L6,ZPC(YEL),SW	11	SA	
W291	6001-000128	SCREW-MACHINE;BH,+ ,M3,L6,NI PLT,SWRCH18A	1	SA	

7-2 VCR Mechanical Parts (Top Side)



Loc. No	Parts No.	Description ; Specification	Qty	S.N.A	Remark
T001	AC97-02626A	ASSY-CYLINDER;6SS,CX13A-MIRIO,SECAM 6HD	1	SA	
T002	AC61-00391A	PLATE-GROUND DECK;X-13,SPTE,T0.3,-,-,-,N	1	SA	
T003	AC31-00018A	MOTOR-LOADING ASSY;-,SCORPIO2(TS-10A),-,	1	SA	
T004	AC66-00101A	GEAR-WORM WHEEL;X-13,POM(M90-44 EQU),-,	1	SA	
T005	AC66-00102A	GEAR-FL CAM;X-13,POM(M90-44 EQU),-,,-,-	1	SA	
T006	AC61-00105A	SPRING ETC-PINCH DRIVE;TS-10,SUS304-WPB,	1	SA	
T007	AC61-00390A	PLATE-JOINT;X-13,SECC 20/20,T0.8,-,-,-,N	1	SA	
T008	AC97-02570A	ASSY-SLIDER SUPPLY;(PPS),X-13,-	1	SA	
T009	AC97-02556A	ASSY-SLIDER TAKE UP;-,X-13,-	1	SA	
T010	AC97-02625A	ASSY-HEAD A/C;-,X-13A,-	1	SA	
T011	AC66-00094A	LEVER-9 GUIDE;X-13,PPS,-,-,-,-,BROWN,-	1	SA	
T013	AC33-00018A	HEAD-FULL ERASE;-,X-13,-,-	1	SA	
T015	AC97-02620A	ASSY-UNIT PINCH;-,X-13A,-	1	SA	
T019	AC66-00124A	REEL-S;X-13,POM,-,BLK,2.5,-,27,-	1	SA	
T020	AC66-00123A	REEL-T;X-13,POM,-,BLK,2.5,-,36.5,-	1	SA	
T021	AC66-00115A	LEVER-IDLE;X-13,POM,T15,W38,L25,-,NTR,-	1	SA	
T022	AC66-00114A	GEAR-IDLE;X-13,PET,0.5,54,27,NAT,27,HIGH	2	SA	
T023	AC97-02562A	ASSY-LEVER TENSION;-,X-13,-	1	SA	
T024	AC61-00107A	SPRING ETC-TENSION LEVER;TS-10,SUS304-WP	1	SA	
T025	AC97-02560A	ASSY-BAND BRAKE;-,X-13,-	1	SA	
T026	AC97-02567A	ASSY-LEVER BRAKE S;-,X-13,-	1	SA	
T027	AC97-02568A	ASSY-LEVER BRAKE T;-,X-13,-	1	SA	
T028	AC61-00106A	SPRING ETC-BRAKE;TS-10,SUS304-WPB,-,-,-,	2	SA	
T029	AC66-00104A	SLIDER-FL DRIVE;X-13,SECC,T1.0,W15,L60,-	1	SA	
T057	AC61-00386A	SLEEVE-TENSION;X-13,-,-,2.5,-,-,-,NAT	1	SA	
T071	AC61-00388A	GUIDE-CASS DOOR;X-13,POM(M90-44 EQU),-,	1	SA	
T072	AC97-02622A	ASSY-HOLDER CASSETTE;SECC+POM+SUS,X-13A,	1	SA	
T073	AC61-00397A	SPRING ETC-LOCK;X-13,SWP-B,0.25,2.6,3.1,	1	SA	
T074	AC97-02564A	ASSY-LEVER ARM;-,X-13,-	1	SA	
T075	AC66-00108A	LEVER-DOOR;X-13,POM,-,W30,L75,-,NAT,-	1	SA	
W015	6006-001092	SCREW-MACHINE;WS,PH,+,M3.0,L6.0,ZPC(YEL)	3	SA	
W016	6006-001154	SCREW-TAPTITE;WSP,PH,+,M2.6,L5.6,ZPC(YEL)	1	SA	
W201	6001-001711	SCREW-MACHINE;PH,+,M3,L3.3,ZPC(YEL)	1	SA	

7-3 VCR Mechanical Parts (Bottom Side)



Loc. No	Parts No.	Description ; Specification	Qty	S.N.A	Remark
T034	AC66-00103A	GEAR-JOINT 1;X-13,POM(M90-44 EQU),-,-,-,	1	SA	
T035	AC66-00077A	GEAR-JOINT 2;X-11,POM(K300),-,-,-,BLUE,-	1	SA	
T036	AC61-00389A	BRACKET-GEAR;X-13,SECC 20/20,T0.8,-,-,-,	1	SA	
T037	AC66-00092A	SLIDER-CAM;X-13,SECC 20/20,T1.2,-,-,-,NTR,	1	SA	
T038	AC66-00099A	LEVER-PINCH DRIVE;X-13,SECC 20/20,T1.0,-	1	SA	
T039	AC70-00003A	HOOK-CAPSTAN;-,-,L10,W10,H10,POM(M90-44)	1	SA	
T040	AC66-00100A	LEVER-TENSION DRIVE;X-13,SECC 20/20,T1.0	1	SA	
T041	AC66-00078A	GEAR-LOADING DRIVE;X-11,POM(K300),-,-,-,	1	SA	
T042	AC97-02557A	ASSY-LEVER LOADING S;-,-,X-13,-	1	SA	
T043	AC97-02558A	ASSY-LEVER LOADING T;-,-,X-13,-	1	SA	
T044	3101-001430	MOTOR-CAPSTAN;-,-,12V,90mA	1	SA	
T046	AC66-60051A	BELT-PULLEY;-,-,5CM-70,2 * 2,-,-,71.3,-,-,X-9	1	SA	
T048	AC97-02566A	ASSY-GEAR CENTER;-,-,X-13,-	1	SA	
T049	AC60-30306A	FASTENER-WASHER SLIT;-,-,ID2.1,OD5.0,T0.	1	SA	
T050	AC66-00111A	LEVER-UP DOWN;X-13,POM,T15,E25,L55,-,BLK	1	SA	
T076	AC97-02569A	ASSY-CLUTCH;-,-,X-13,-	1	SA	
W018	6003-001450	SCREW-TAPTITE;PH,+S,M2.6,L5,ZPC(YEL)	1	SA	
W019	6003-000108	SCREW-TAPTITE;BH,+B,M2.6,L6,ZPC(YEL),SW	3	SA	

MEMO