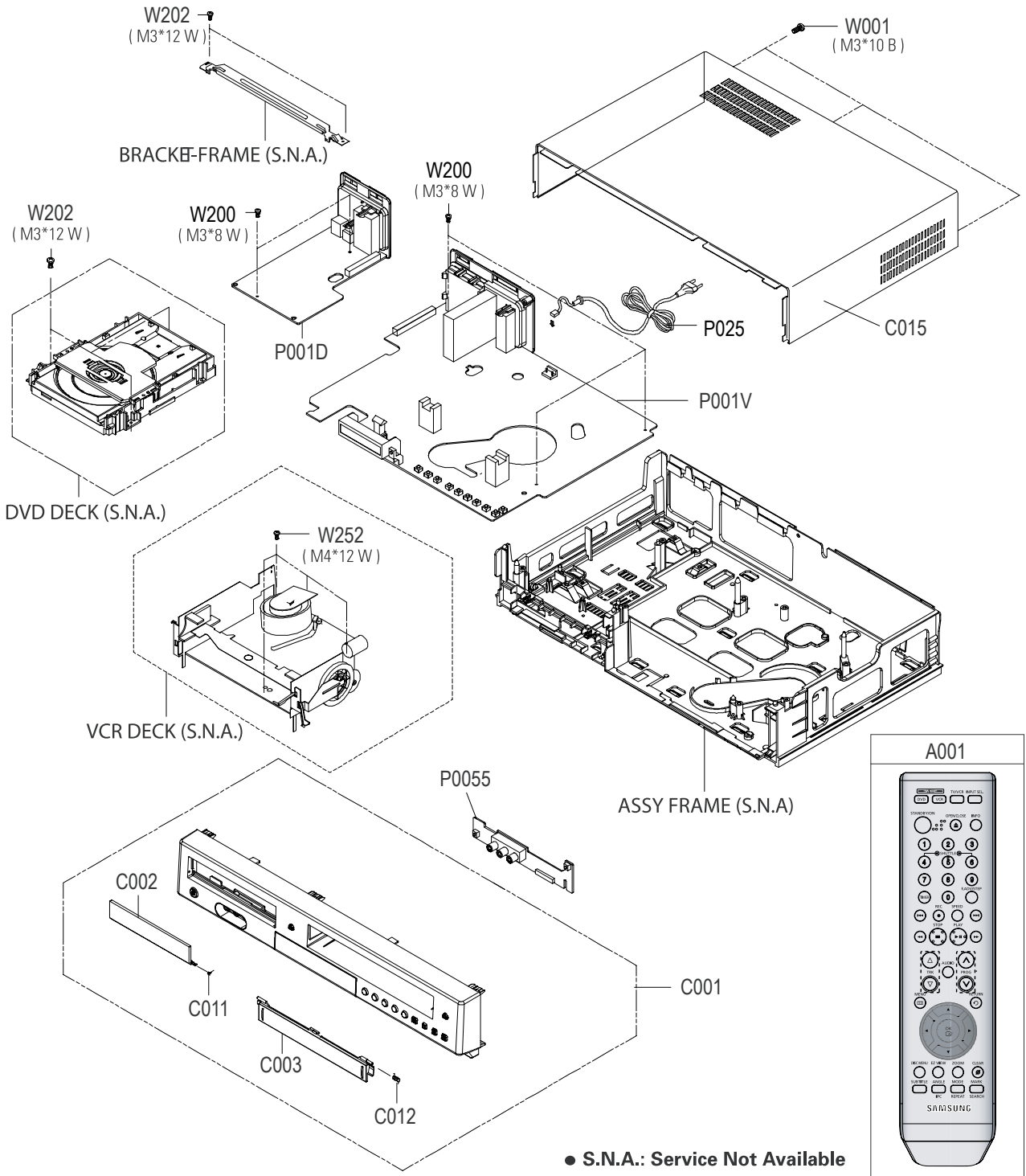

5. Exploded View and Parts List

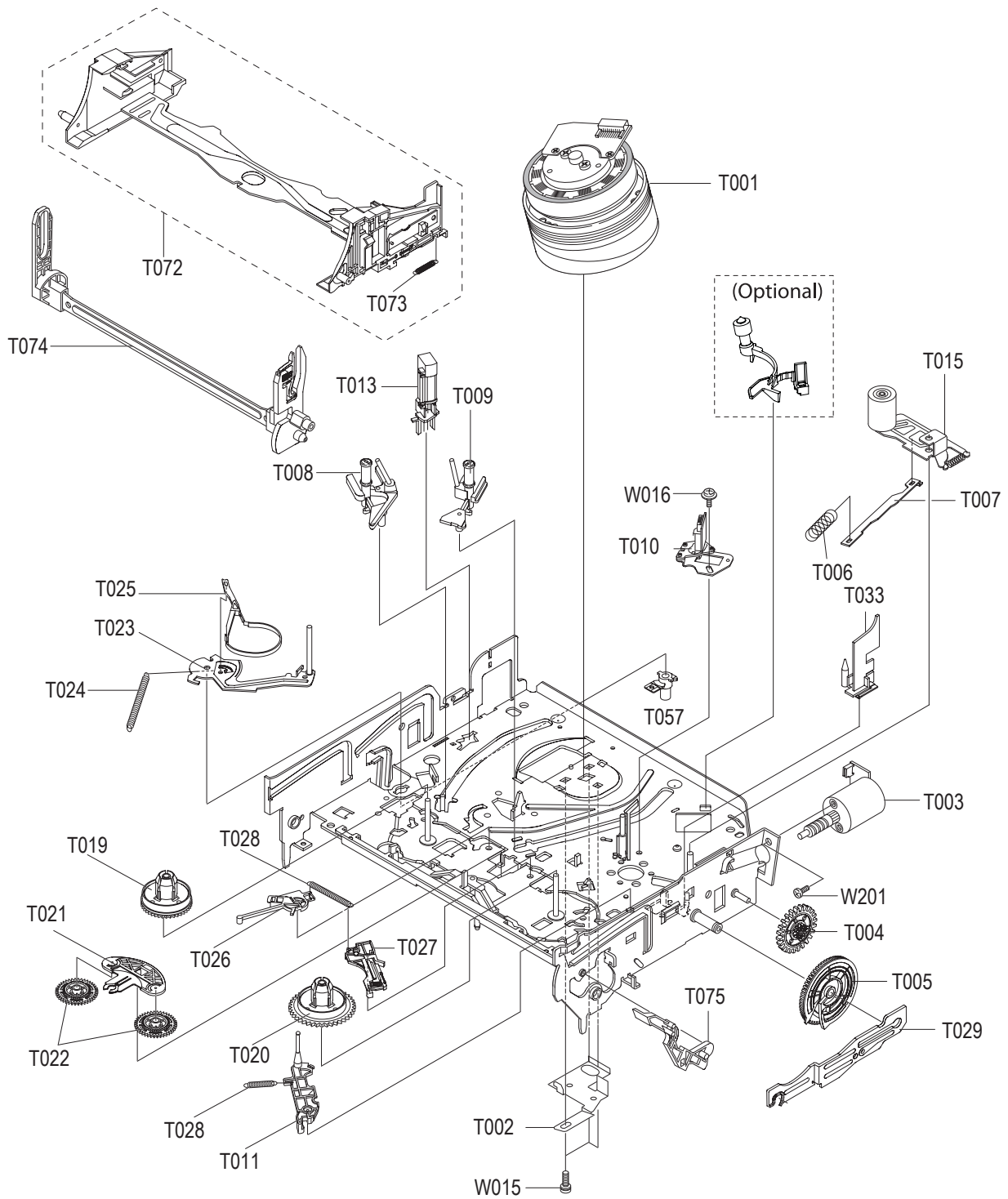
5-1 Cabinet Assembly	5-2
5-2 VCR Mechanical Parts (Top Side)	5-4
5-3 VCR Mechanical Parts (Bottom Side)	5-6
5-4 DVD Mechanical Parts	5-8
5-5 Electrical Parts List	5-10

5-1 Cabinet Assembly



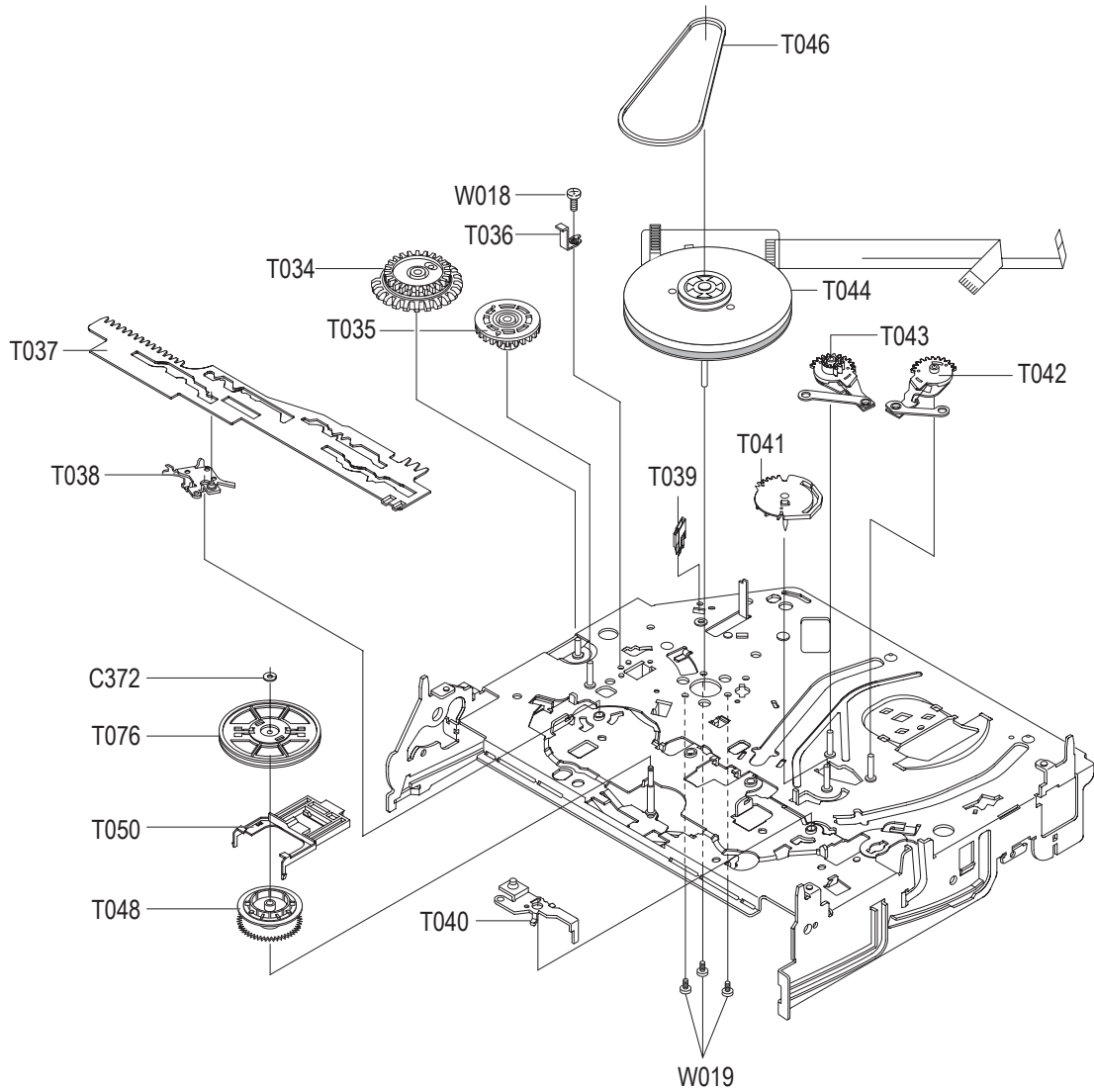
Loc. No	Parts No.	Description ; Specification	Q ty	SNA	Remark
A001	AK59-00074A	REMOCON-ASSY;DVD-V6700/XEF,SEC,175.	1	SA	
C001	AK97-02158C	ASSY-PANEL FRONT;HIPS94 HB,DVD-V680	1	SA	
C002	AK64-02149A	DOOR-TRAY;DVD-V6800, SEIN,HIPS 94HB	1	SA	
C003	AK64-02146B	DOOR-CASSETTE;DVD-V6800/XSA, SEIN,H	1	SA	
C011	AK64-00334A	DOOR-SPRING;DVD-V3500,SWPB,,,,-,,	1	SA	
C012	AC61-62032A	SPRING ETC-MASK;SV-C130,SUS,4.4,-,-	1	SA	
C015	AK64-00536H	CABINET-TOP;DVD-V6600/XEF,PCM,T0.5,	1	SA	
P001D	AK92-01587A	ASSY PCB-MAIN DVD;DVD-V6800/XEF,MAI	1	SA	
P001V	AK92-01588C	ASSY PCB-MAIN VCR;DVD-V6800/XEG,XET	1	SA	
P0055	AK92-01589A	ASSY PCB-SUB FUNCTION;DVD-V6800/XEF	1	SA	
P025	3903-000176	CBF-POWER CORD;AT,EU,CP2,HOUSING(2P	1	SA	
W001	6003-000275	SCREW-TAPTITE;BH,+,-,B,M3,L10,ZPC(B	3	SA	
W200	6003-001375	SCREW-TAPTITE;BH,+,-,B,M3,L8,ZPC(WH	5	SA	
W202	6003-000277	SCREW-TAPTITE;BH,+,-,B,M3,L12,ZPC(W	5	SA	
W252	AC60-12126A	SCREW-MACHINE;TH,+,-,M4,L12,ZPC(WHT	4	SC	

5-2 VCR Mechanical Parts (Top Side)



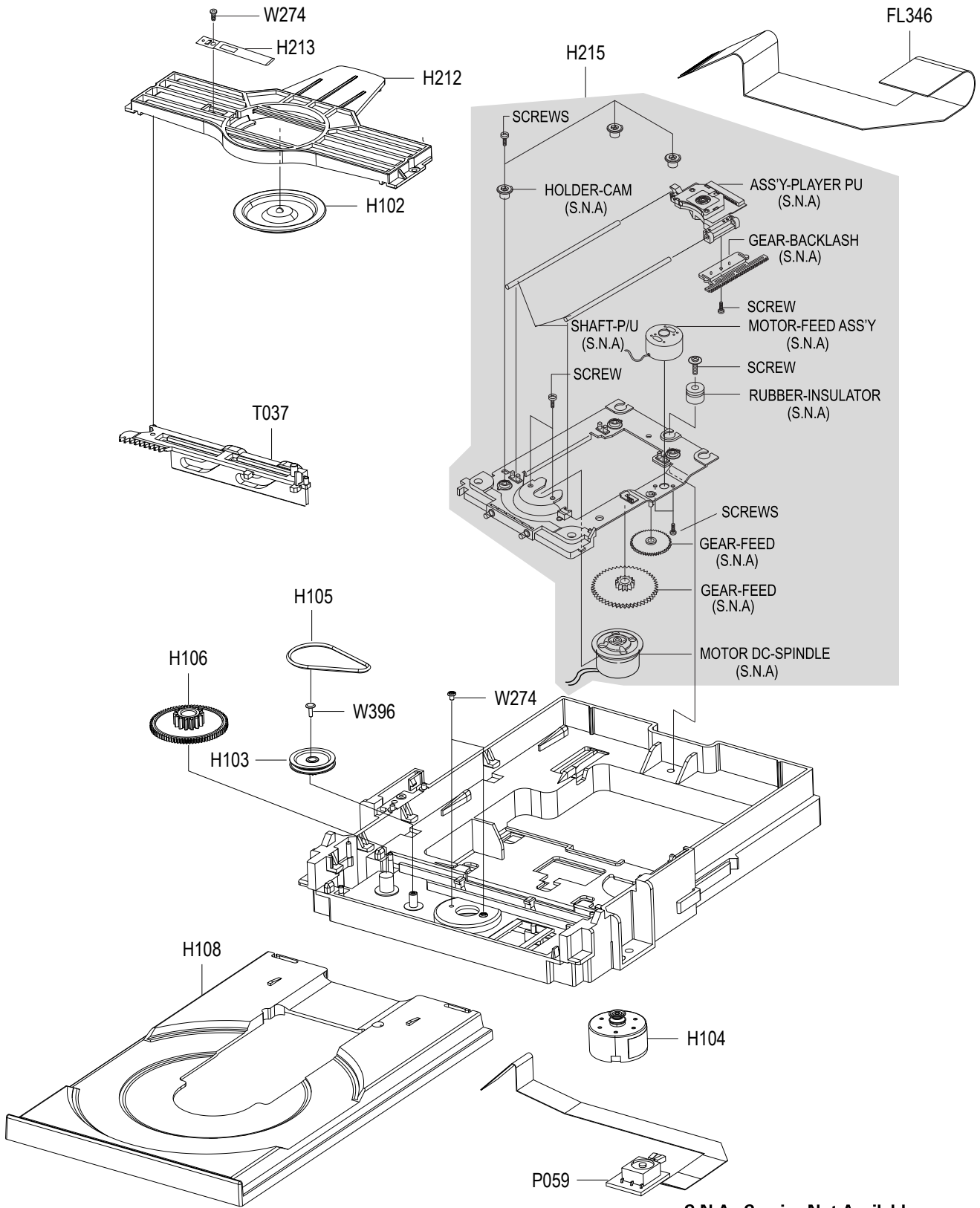
Loc. No	Parts No.	Description ; Specification	Q ty	SNA	Remark
T001	AC97-02626A	ASSY-CYLINDER;6SS,CX13A-MIRIO,SECAM	1	SA	
T002	AC61-00391A	PLATE-GROUND DECK;X-13,SPT,TO.3,-,	1	SA	
T003	AC31-00018A	MOTOR-LOADING ASSY;-;SCORPIO2(TS-10	1	SA	
T004	AC66-00101A	GEAR-WORM WHEEL;X-13,POM(M90-44 EQU	1	SA	
T005	AC66-00102A	GEAR-FL CAM;X-13,POM(M90-44 EQU),-	1	SA	
T006	AC61-00105A	SPRING ETC-PINCH DRIVE;TS-10,SUS304	1	SA	
T007	AC61-00390A	PLATE-JOINT;X-13,SECC 20/20,TO.8,-,	1	SA	
T008	AC97-02570A	ASSY-SLIDER SUPPLY;(PPS),X-13,-	1	SA	
T009	AC97-02556A	ASSY-SLIDER TAKE UP;-;X-13,-	1	SA	
T010	AC97-02625A	ASSY-HEAD A/C;-;X-13A,-	1	SA	
T011	AC66-00094A	LEVER-9 GUIDE;X-13,PPS,-,-,-,-,BROW	1	SA	
T013	AC33-00018A	HEAD-FULL ERASE;-;X-13,-,-	1	SA	
T015	AC97-02620A	ASSY-UNIT PINCH;-;X-13A,-	1	SA	
T019	AC66-00124A	REEL-S;X-13,POM,-,BLK,2.5,-,27,-	1	SA	
T020	AC66-00123A	REEL-T;X-13,POM,-,BLK,2.5,-,36.5,-	1	SA	
T021	AC66-00115A	LEVER-IDLE;X-13,POM,T15,W38,L25,-,N	1	SA	
T022	AC66-00114A	GEAR-IDLE;X-13,PET,0.5,54,27,NAT,27	2	SA	
T023	AC97-02562A	ASSY-LEVER TENSION;-;X-13,-	1	SA	
T024	AC61-00107A	SPRING ETC-TENSION LEVER;TS-10,SUS3	1	SA	
T025	AC97-02560A	ASSY-BAND BRAKE;-;X-13,-	1	SA	
T026	AC97-02567A	ASSY-LEVER BRAKE S;-;X-13,-	1	SA	
T027	AC97-02568A	ASSY-LEVER BRAKE T;-;X-13,-	1	SA	
T028	AC61-00106A	SPRING ETC-BRAKE;TS-10,SUS304-WPB,-	2	SA	
T029	AC66-00104A	SLIDER-FL DRIVE;X-13,SECC,T1.0,W15,	1	SA	
T033	AC61-00388A	GUIDE-CASS DOOR;X-13,POM(M90-44 EQU	1	SA	
T057	AC61-00386A	SLEEVE-TENSION;X-13,-,-,2.5,-,-,-,N	1	SA	
T072	AC97-02622A	ASSY-HOLDER CASSETTE;SECC+POM+SUS,X	1	SA	
T073	AC61-00397A	SPRING ETC-LOCK;X-13,SWP-B,0.25,2.6	1	SA	
T074	AC97-02564A	ASSY-LEVER ARM;-;X-13,-	1	SA	
T075	AC66-00108A	LEVER-DOOR;X-13,POM,-,W30,L75,-,NAT	1	SA	
W015	6006-001092	SCREW-MACHINE;PH,+,WS,M3.0,L6.0,ZPC	3	SA	
W016	6006-001154	SCREW-TAPTITE;PH,+,WSP,B,M2.6,L5.6,	1	SA	
W201	6001-001711	SCREW-MACHINE;PH,+,-,M3,L3.3,ZPC(WH	1	SA	

5-3 VCR Mechanical Parts (Bottom Side)



Loc. No	Parts No.	Description ; Specification	Q ty	SNA	Remark
C372	AC60-30306A	FASTENER-WASHER SLIT;-,-,ID2.1,OD5.	1	SA	
T034	AC66-00103A	GEAR-JOINT 1;X-13,POM(M90-44 EQU),-	1	SA	
T035	AC66-00077A	GEAR-JOINT 2;X-11,POM(K300),-,-,-,B	1	SA	
T036	AC61-00389A	BRACKET-GEAR;X-13,SECC 20/20,T0.8,-	1	SA	
T037	AC66-00092A	SLIDER-CAM;X-13,SECC 20/20,T1.2,-,-	1	SA	
T038	AC66-00099A	LEVER-PINCH DRIVE;X-13,SECC 20/20,T	1	SA	
T039	AC70-00003A	HOOK-CAPSTAN;-,-,L10,W10,H10,POM(M9	1	SA	
T040	AC66-00100A	LEVER-TENSION DRIVE;X-13,SECC 20/20	1	SA	
T041	AC66-00078A	GEAR-LOADING DRIVE;X-11,POM(K300),-	1	SA	
T042	AC97-02557A	ASSY-LEVER LOADING S;-,-,X-13,-	1	SA	
T043	AC97-02558A	ASSY-LEVER LOADING T;-,-,X-13,-	1	SA	
T044	3101-001427	MOTOR-CAPSTAN;0rpm,0g.cm,12V,90mA	1	SA	
T046	AC66-60051A	BELT-PULLEY;-,-,5CM-70,2 * 2,-,-,71.3,-	1	SA	
T048	AC97-02566A	ASSY-GEAR CENTER;-,-,X-13,-	1	SA	
T050	AC66-00111A	LEVER-UP DOWN;X-13,POM,T15,E25,L55,	1	SA	
T076	AC97-02569A	ASSY-CLUTCH;-,-,X-13,-	1	SA	
W018	6003-001450	SCREW-TAPTITE;PH,+,-,S,M2.6,L5,ZPC(1	SA	
W019	6003-000108	SCREW-TAPTITE;BH,+,-,B,M2.6,L6,ZPC(YE	3	SA	

5-4 DVD Mechanical Parts



● S.N.A.: Service Not Available

Loc. No	Parts No.	Description ; Specification	Q ty	SNA	Remark
FL346	AK41-00250C	FFC-PU;DP-19,-,-,23P,-,1mm	1	SA	
H102	AK61-00778A	BODY-CLAMPER DISC;DP-21,POM,1.0,-,4	1	SA	
H103	AK66-00095A	GEAR-PULLY;DP-21,POM,0.4,14,19.2(OD	1	SA	
H104	AK97-02036A	ASSY-MOTOR LOAD;-;DP-21,-	1	SA	
H105	6602-001076	BELT-RECTANGULAR;CR,T1.2,4.3%,1.2X2	1	SA	
H106	AK66-00094A	GEAR-TRAY;DP-21,POM,0.4(A)0.8(B),8	1	SA	
H108	AK63-00489A	TRAY-DISC;DP-22,ABS,T11,D122,L184,-	1	SA	
H212	AK61-00777A	HOLDER-CHUCK;DP-21,ABS,1.6,137.0,87	1	SA	
H213	AK61-00779A	SPRING ETC-CLAMPER;DP-21,SUS304CSP,	1	SA	
H215	AK97-02037C	ASSY-PU DECK;ASSY-PU DECK,CMS-LS78R	1	SA	
P059	AK97-02035A	ASSY-PCB DECK;-;DP-21,-	1	SA	
T037	AK66-00125A	SLIDER-CAM;DP-22,POM,T22,D17,L95,NA	1	SA	
W274	6001-001730	SCREW-MACHINE;BH,+,-,M1.7,L2.5,ZPC(2	SA	
W396	6003-001620	SCREW-TAPTITE;CH,+,-,B-TITE,M1.4,L5	1	SA	

5-5 Electrical Parts List

Loc.No	Parts No.	Description : Specification	Q'ty	S.N.A	Remark	Loc.No	Parts No.	Description : Specification	Q'ty	S.N.A	Remark
P001D	AK92-01587A	ASSY PCB-MAIN DVD;DVD-V6800/XEF,MAI	1	SA		DCN1	3708-000491	CONNECTOR-FPC/FPC/PIC;23P,1mm,STRAI	1	SA	
AAR30	2007-000123	R-CHIP;1.5Kohm,5%,1/10W,TP,1608	1	SA		DCN2	3708-001266	CONNECTOR-FPC/FPC/PIC;11P,1MM,STRAI	1	SA	
AC01	2203-005148	C-CER,CHIP;100nF,10%,16V,X7R,TP,160	1	SA		DIC7	0801-002701	IC-CMOS LOGIC;74VHC125A,BUFFER,TSS	1	SA	
AC19	2203-000491	C-CER,CHIP;2.2nF,10%,50V,X7R,1608	1	SA		DOL1	2901-001273	FILTER-EMI SMD;50V,2A,-,220pF,3.2x1	1	SA	
AC20	2203-000783	C-CER,CHIP;0.33nF,5%,50V,COG,1608	1	SA		DOL2	3301-001419	BEAD-SMD;220ohm,1608,TP,133ohm/70MH	1	SA	
AC21	2203-005148	C-CER,CHIP;100nF,10%,16V,X7R,TP,160	1	SA		FB3	3301-001419	BEAD-SMD;220ohm,1608,TP,133ohm/70MH	1	SA	
AC22	2203-000491	C-CER,CHIP;2.2nF,10%,50V,X7R,1608	1	SA		FB6	3301-001419	BEAD-SMD;220ohm,1608,TP,133ohm/70MH	1	SA	
AC23	2203-000783	C-CER,CHIP;0.33nF,5%,50V,COG,1608	1	SA		JACK1	3722-002059	JACK-PIN;6P(6P),-,RED/WHT/BLU/BLK/G	1	SA	
AC24	2203-005148	C-CER,CHIP;100nF,10%,16V,X7R,TP,160	1	SA		MC2	2203-005148	C-CER,CHIP;100nF,10%,16V,X7R,TP,160	1	SA	
AC25	2203-005148	C-CER,CHIP;100nF,10%,16V,X7R,TP,160	1	SA		MC7	2203-005148	C-CER,CHIP;100nF,10%,16V,X7R,TP,160	1	SA	
AC28	2203-005148	C-CER,CHIP;100nF,10%,16V,X7R,TP,160	1	SA		MC8	2203-005148	C-CER,CHIP;100nF,10%,16V,X7R,TP,160	1	SA	
AD1	0401-000008	DIODE-SWITCHING;DAN217,80V,100MA,SO	1	SA		ME1	2401-001358	C-AL;470uF,20%,10V,WT,TP,8x11.5mm,5	1	SA	
AD3	0407-000123	DIODE-ARRAY;DAN202K,80V,100mA,CA2-3	1	SA		ME3	2401-002144	C-AL;47uF,20%,16V,GP,TP,5x11.5	1	SA	
AD4	0407-000123	DIODE-ARRAY;DAN202K,80V,100mA,CA2-3	1	SA		MIC1	1003-001978	IC-MOTOR DRIVER;AM5766,HSOP28H,28P,	1	SA	
ADR1	2007-000080	R-CHIP;2Kohm,5%,1/10W,TP,1608	1	SA		MR1	2007-000805	R-CHIP;36Kohm,5%,1/10W,TP,1608	1	SA	
ADR2	2007-000124	R-CHIP;2.2Kohm,5%,1/10W,TP,1608	1	SA		MR10	2007-007277	R-CHIP;392ohm,1%,1/10W,TP,1608	1	SA	
AE1	2401-001225	C-AL;4.7uF,20%,16V,GP,TP,3x5,5	1	SA		MR11	2007-000080	R-CHIP;2Kohm,5%,1/10W,TP,1608	1	SA	
AE13	2401-000302	C-AL;100uF,20%,25V,GP,TP,6.3x11,5	1	SA		MR12	2007-000080	R-CHIP;2Kohm,5%,1/10W,TP,1608	1	SA	
AE14	2401-000438	C-AL;10uF,20%,25V,GP,-,5x11,5	1	SA		MR19	2007-000084	R-CHIP;4.7Kohm,5%,1/10W,TP,1608	1	SA	
AE15	2401-002165	C-AL;100uF,20%,16V,GP,TP,6.3x7,5	1	SA		MR2	2007-000130	R-CHIP;39Kohm,5%,1/10W,TP,1608	1	SA	
AE16	2401-002165	C-AL;100uF,20%,16V,GP,TP,6.3x7,5	1	SA		MR3	2007-000070	R-CHIP;0ohm,5%,1/10W,TP,1608	1	SA	
AE22	2401-002165	C-AL;100uF,20%,16V,GP,TP,6.3x7,5	1	SA		MR4	2007-000070	R-CHIP;0ohm,5%,1/10W,TP,1608	1	SA	
AE3	2401-001225	C-AL;4.7uF,20%,16V,GP,TP,3x5,5	1	SA		MR5	2007-000805	R-CHIP;36Kohm,5%,1/10W,TP,1608	1	SA	
AE7	2401-002165	C-AL;100uF,20%,16V,GP,TP,6.3x7,5	1	SA		MR6	2007-000070	R-CHIP;0ohm,5%,1/10W,TP,1608	1	SA	
AIC5	1201-000163	IC-OP AMP;4560,SOP,8P,173MIL,DUAL,1	1	SA		MR7	2007-000503	R-CHIP;2.2ohm,5%,1/10W,TP,1608	1	SA	
AQ10	0501-000341	TR-SMALL SIGNAL;KSC1623-L,NPN,200mW	1	SA		MR8	2007-000503	R-CHIP;2.2ohm,5%,1/10W,TP,1608	1	SA	
AQ11	0501-000002	TR-SMALL SIGNAL;KSA812,PNP,150MW,SO	1	SA		MR9	2007-007277	R-CHIP;392ohm,1%,1/10W,TP,1608	1	SA	
AQ7	0504-000128	TR-DIGITAL,-,NPN,200MW,22K/22K,SOT-	1	SA		P021	AK97-00814C	ASSY-CONNECTOR BOARD;HIPS 94HB,DVD-	1	SA	
AQ8	0504-000156	TR-DIGITAL;KSR2103,PNP,200MW,22K/22	1	SA		PC8	2203-005148	C-CER,CHIP;100nF,10%,16V,X7R,TP,160	1	SA	
AQ9	0501-000341	TR-SMALL SIGNAL;KSC1623-L,NPN,200mW	1	SA		PIC1	1203-003216	IC-POSIFIXED REG.;G9133,TO-220F,4P	1	SA	
AR1	2007-000090	R-CHIP;10Kohm,5%,1/10W,TP,1608	1	SA		PIC2	1203-002779	IC-POSIFIXED REG.;G952T63U,SOT-223	1	SA	
AR15	2007-000124	R-CHIP;2.2Kohm,5%,1/10W,TP,1608	1	SA		PL1	2703-000398	INDUCTOR-SMD;10uH,10%,3225	1	SA	
AR18	2007-000075	R-CHIP;220ohm,5%,1/10W,TP,1608	1	SA		PPC1	2203-005148	C-CER,CHIP;100nF,10%,16V,X7R,TP,160	1	SA	
AR19	2007-000075	R-CHIP;220ohm,5%,1/10W,TP,1608	1	SA		PPC2	2203-005148	C-CER,CHIP;100nF,10%,16V,X7R,TP,160	1	SA	
AR2	2007-000090	R-CHIP;10Kohm,5%,1/10W,TP,1608	1	SA		PPC3	2203-005148	C-CER,CHIP;100nF,10%,16V,X7R,TP,160	1	SA	
AR20	2007-000124	R-CHIP;2.2Kohm,5%,1/10W,TP,1608	1	SA		PPC4	2203-005148	C-CER,CHIP;100nF,10%,16V,X7R,TP,160	1	SA	
AR28	2007-000965	R-CHIP;5.1Kohm,5%,1/10W,TP,1608	1	SA		PPC5	2203-005148	C-CER,CHIP;100nF,10%,16V,X7R,TP,160	1	SA	
AR29	2007-000090	R-CHIP;10Kohm,5%,1/10W,TP,1608	1	SA		PPC6	2203-005148	C-CER,CHIP;100nF,10%,16V,X7R,TP,160	1	SA	
AR31	2007-000060	R-CHIP;100Kohm,1%,1/10W,TP,1608	1	SA		PPD1	0402-000309	DIODE-RECTIFIER;1SR154-400,400V,1A,	1	SA	
AR36	2007-000070	R-CHIP;0ohm,5%,1/10W,TP,1608	1	SA		PPD2	2007-000033	R-CHIP;0ohm,5%,1/4W,TP,3216	1	SA	
AR37	2007-000965	R-CHIP;5.1Kohm,5%,1/10W,TP,1608	1	SA		PPE1	2401-001479	C-AL;470uF,20%,10V,GP,TP,6.3*11mm,5	1	SA	
AR38	2007-000090	R-CHIP;10Kohm,5%,1/10W,TP,1608	1	SA		PPE2	2401-001479	C-AL;470uF,20%,10V,GP,TP,6.3*11mm,5	1	SA	
AR39	2007-000123	R-CHIP;1.5Kohm,5%,1/10W,TP,1608	1	SA		PPE3	2401-000414	C-AL;10uF,20%,16V,GP,TP,4x7,5	1	SA	
AR40	2007-000060	R-CHIP;100Kohm,1%,1/10W,TP,1608	1	SA		PPE4	2401-001479	C-AL;470uF,20%,10V,GP,TP,6.3*11mm,5	1	SA	
AR41	2007-000060	R-CHIP;100Kohm,1%,1/10W,TP,1608	1	SA		R20	2007-000078	R-CHIP;1Kohm,5%,1/10W,TP,1608	1	SA	
AR42	2007-000060	R-CHIP;100Kohm,1%,1/10W,TP,1608	1	SA		R21	2007-000078	R-CHIP;1Kohm,5%,1/10W,TP,1608	1	SA	
AR51	2007-000070	R-CHIP;0ohm,5%,1/10W,TP,1608	1	SA		R22	2007-000078	R-CHIP;1Kohm,5%,1/10W,TP,1608	1	SA	
AR52	2007-000078	R-CHIP;1Kohm,5%,1/10W,TP,1608	1	SA		R23	2007-000070	R-CHIP;0ohm,5%,1/10W,TP,1608	1	SA	
AR54	2007-000102	R-CHIP;100Kohm,5%,1/10W,TP,1608	1	SA		RC2	2203-005148	C-CER,CHIP;100nF,10%,16V,X7R,TP,160	1	SA	
AR55	2007-000077	R-CHIP;470ohm,5%,1/10W,TP,1608	1	SA		RC4	2203-005148	C-CER,CHIP;100nF,10%,16V,X7R,TP,160	1	SA	
AR63	2007-000402	R-CHIP;150ohm,5%,1/10W,TP,1608	1	SA		RC5	2203-005148	C-CER,CHIP;100nF,10%,16V,X7R,TP,160	1	SA	
AR64	2007-000074	R-CHIP;100ohm,5%,1/10W,TP,1608	1	SA		RC6	2203-005148	C-CER,CHIP;100nF,10%,16V,X7R,TP,160	1	SA	
BC10	2203-005148	C-CER,CHIP;100nF,10%,16V,X7R,TP,160	1	SA		RC7	2203-005148	C-CER,CHIP;100nF,10%,16V,X7R,TP,160	1	SA	
C23	2203-005148	C-CER,CHIP;100nF,10%,16V,X7R,TP,160	1	SA		RC8	2203-005148	C-CER,CHIP;100nF,10%,16V,X7R,TP,160	1	SA	
CN21	3710-002050	SOCKET-BOARD TO BOARD;12P,1R,2mm,ST	1	SA		RC9	2203-005148	C-CER,CHIP;100nF,10%,16V,X7R,TP,160	1	SA	
CN22	3710-002050	SOCKET-BOARD TO BOARD;12P,1R,2mm,ST	1	SA		RD1	0407-000116	DIODE-ARRAY;KDS181, DAP202K,80V,100	1	SA	

Loc.No	Parts No.	Description : Specification	Q'ty	S.N.A	Remark	Loc.No	Parts No.	Description : Specification	Q'ty	S.N.A	Remark
RD2	0407-000123	DIODE-ARRAY;DAN202K,80V,100mA,CA2-3	1	SA		ZC165	2203-000815	C-CER,CHIP;0.033nF,5%,50V,COG,1608	1	SA	
RE1	2401-002165	C-AL;100uF,20%,16V,GP,TP,6.3x7.5	1	SA		ZC17	2203-005148	C-CER,CHIP;100nF,10%,16V,X7R,TP,160	1	SA	
RE2	2401-002165	C-AL;100uF,20%,16V,GP,TP,6.3x7.5	1	SA		ZC2	2203-005148	C-CER,CHIP;100nF,10%,16V,X7R,TP,160	1	SA	
RE3	2401-002144	C-AL;47uF,20%,16V,GP,TP,5x11.5	1	SA		ZC22	2203-005148	C-CER,CHIP;100nF,10%,16V,X7R,TP,160	1	SA	
RE4	2401-002165	C-AL;100uF,20%,16V,GP,TP,6.3x7.5	1	SA		ZC23	2203-005148	C-CER,CHIP;100nF,10%,16V,X7R,TP,160	1	SA	
RQ1	0501-000279	TR-SMALL SIGNAL;KSA1182-Y,PNP,150mW	1	SA		ZC24	2203-000440	C-CER,CHIP;1nF,10%,50V,X7R,1608	1	SA	
RQ2	0501-000279	TR-SMALL SIGNAL;KSA1182-Y,PNP,150mW	1	SA		ZC25	2203-000440	C-CER,CHIP;1nF,10%,50V,X7R,1608	1	SA	
RR13	2007-000134	R-CHIP;33Kohm,5%,1/10W,TP,1608	1	SA		ZC26	2203-005148	C-CER,CHIP;100nF,10%,16V,X7R,TP,160	1	SA	
RR17	2007-001146	R-CHIP;7.5ohm,5%,1/8W,TP,2012	1	SA		ZC27	2203-005148	C-CER,CHIP;100nF,10%,16V,X7R,TP,160	1	SA	
RR2	2007-000075	R-CHIP;220ohm,5%,1/10W,TP,1608	1	SA		ZC28	2203-005148	C-CER,CHIP;100nF,10%,16V,X7R,TP,160	1	SA	
RR3	2007-000075	R-CHIP;220ohm,5%,1/10W,TP,1608	1	SA		ZC29	2203-005148	C-CER,CHIP;100nF,10%,16V,X7R,TP,160	1	SA	
RR4	2007-001145	R-CHIP;7.5ohm,1%,1/10W,TP,1608	1	SA		ZC3	2203-005148	C-CER,CHIP;100nF,10%,16V,X7R,TP,160	1	SA	
RR8	2007-000134	R-CHIP;33Kohm,5%,1/10W,TP,1608	1	SA		ZC31	2203-005148	C-CER,CHIP;100nF,10%,16V,X7R,TP,160	1	SA	
RR9	2007-001010	R-CHIP;51Kohm,5%,1/10W,TP,1608	1	SA		ZC33	2203-005148	C-CER,CHIP;100nF,10%,16V,X7R,TP,160	1	SA	
VC10	2203-005148	C-CER,CHIP;100nF,10%,16V,X7R,TP,160	1	SA		ZC34	2203-005148	C-CER,CHIP;100nF,10%,16V,X7R,TP,160	1	SA	
VC11	2203-005148	C-CER,CHIP;100nF,10%,16V,X7R,TP,160	1	SA		ZC35	2203-000681	C-CER,CHIP;0.027nF,5%,50V,COG,1608	1	SA	
VC14	2203-000783	C-CER,CHIP;0.33nF,5%,50V,COG,1608	1	SA		ZC37	2203-000681	C-CER,CHIP;0.027nF,5%,50V,COG,1608	1	SA	
VC15	2203-000783	C-CER,CHIP;0.33nF,5%,50V,COG,1608	1	SA		ZC39	2203-005148	C-CER,CHIP;100nF,10%,16V,X7R,TP,160	1	SA	
VC16	2203-000783	C-CER,CHIP;0.33nF,5%,50V,COG,1608	1	SA		ZC40	2203-005148	C-CER,CHIP;100nF,10%,16V,X7R,TP,160	1	SA	
VC20	2203-005148	C-CER,CHIP;100nF,10%,16V,X7R,TP,160	1	SA		ZC41	2203-005148	C-CER,CHIP;100nF,10%,16V,X7R,TP,160	1	SA	
VC50	2203-005148	C-CER,CHIP;100nF,10%,16V,X7R,TP,160	1	SA		ZC42	2203-005148	C-CER,CHIP;100nF,10%,16V,X7R,TP,160	1	SA	
VC6	2203-005148	C-CER,CHIP;100nF,10%,16V,X7R,TP,160	1	SA		ZC43	2203-005148	C-CER,CHIP;100nF,10%,16V,X7R,TP,160	1	SA	
VC7	2203-005148	C-CER,CHIP;100nF,10%,16V,X7R,TP,160	1	SA		ZC44	2203-005148	C-CER,CHIP;100nF,10%,16V,X7R,TP,160	1	SA	
VC8	2203-005148	C-CER,CHIP;100nF,10%,16V,X7R,TP,160	1	SA		ZC45	2203-005148	C-CER,CHIP;100nF,10%,16V,X7R,TP,160	1	SA	
VC9	2203-005148	C-CER,CHIP;100nF,10%,16V,X7R,TP,160	1	SA		ZC47	2203-005148	C-CER,CHIP;100nF,10%,16V,X7R,TP,160	1	SA	
VE1	2401-002165	C-AL;100uF,20%,16V,GP,TP,6.3x7.5	1	SA		ZC48	2203-000315	C-CER,CHIP;0.12nF,5%,50V,COG,1608	1	SA	
VE16	2401-001479	C-AL;470uF,20%,10V,GP,TP,6.3*11mm,5	1	SA		ZC49	2203-000903	C-CER,CHIP;0.0047nF,0.25pF,50V,COG,	1	SA	
VE2	2401-000922	C-AL;22uF,20%,16V,GP,TP,5x5.5	1	SA		ZC5	2203-005148	C-CER,CHIP;100nF,10%,16V,X7R,TP,160	1	SA	
VE5	2401-001479	C-AL;470uF,20%,10V,GP,TP,6.3*11mm,5	1	SA		ZC50	2203-000440	C-CER,CHIP;1nF,10%,50V,X7R,1608	1	SA	
VE6	2401-002165	C-AL;100uF,20%,16V,GP,TP,6.3x7.5	1	SA		ZC51	2203-000669	C-CER,CHIP;27nF,10%,25V,X7R,1608	1	SA	
VE7	2401-002165	C-AL;100uF,20%,16V,GP,TP,6.3x7.5	1	SA		ZC52	2203-000669	C-CER,CHIP;27nF,10%,25V,X7R,1608	1	SA	
VIC1	1204-001978	IC-VIDEO PROCESS;LA73054-,36P,-,SS	1	SA		ZC53	2203-000440	C-CER,CHIP;1nF,10%,50V,X7R,1608	1	SA	
VIC2	1204-001748	IC-SELECTOR;MM1503XN,SOP,6P,63MIL,P	1	SA		ZC6	2203-005148	C-CER,CHIP;100nF,10%,16V,X7R,TP,160	1	SA	
VQ4	0501-000341	TR-SMALL SIGNAL;KSC1623-L,NPN,200mW	1	SA		ZC64	2203-001607	C-CER,CHIP;0.22nF,5%,50V,NPO,1608	1	SA	
VR29	2007-000084	R-CHIP;4.7Kohm,5%,1/10W,TP,1608	1	SA		ZC65	2203-005148	C-CER,CHIP;100nF,10%,16V,X7R,TP,160	1	SA	
VR3	2007-000084	R-CHIP;4.7Kohm,5%,1/10W,TP,1608	1	SA		ZC66	2203-005148	C-CER,CHIP;100nF,10%,16V,X7R,TP,160	1	SA	
VR32	2007-001167	R-CHIP;75ohm,5%,1/10W,TP,1608	1	SA		ZC7	2203-005148	C-CER,CHIP;100nF,10%,16V,X7R,TP,160	1	SA	
VR33	2007-001167	R-CHIP;75ohm,5%,1/10W,TP,1608	1	SA		ZC8	2203-005148	C-CER,CHIP;100nF,10%,16V,X7R,TP,160	1	SA	
VR33S	2007-001167	R-CHIP;75ohm,5%,1/10W,TP,1608	1	SA		ZE15	2401-001479	C-AL;470uF,20%,10V,GP,TP,6.3*11mm,5	1	SA	
VR34	2007-001167	R-CHIP;75ohm,5%,1/10W,TP,1608	1	SA		ZE2	2401-002165	C-AL;100uF,20%,16V,GP,TP,6.3x7.5	1	SA	
VR34S	2007-001167	R-CHIP;75ohm,5%,1/10W,TP,1608	1	SA		ZE3	2401-002165	C-AL;100uF,20%,16V,GP,TP,6.3x7.5	1	SA	
VR35S	2007-001167	R-CHIP;75ohm,5%,1/10W,TP,1608	1	SA		ZE4	2401-001358	C-AL;470uF,20%,10V,WT,TP,8x11.5mm,5	1	SA	
VR37	2007-000084	R-CHIP;4.7Kohm,5%,1/10W,TP,1608	1	SA		ZE5	2401-002165	C-AL;100uF,20%,16V,GP,TP,6.3x7.5	1	SA	
VR38	2007-000119	R-CHIP;560ohm,5%,1/10W,TP,1608	1	SA		ZE6	2401-001479	C-AL;470uF,20%,10V,GP,TP,6.3*11mm,5	1	SA	
VR39	2007-001167	R-CHIP;75ohm,5%,1/10W,TP,1608	1	SA		ZIC1	1204-002853	IC-DECODER;ZR36966PQCC-XR,-,128P,20	1	SA	
VR41	2007-000074	R-CHIP;100ohm,5%,1/10W,TP,1608	1	SA		ZIC2	1105-001261	IC-DRAM;12L1616A,16Bit,TSOP,50P,400	1	SA	
VZ10	0403-000772	DIODE-ZENER;UDZS20B,19.52-20.39V,20	1	SA		ZIC3	1107-001709	IC-FLASH MEMORY;MX25L1605A,16Mbit,2	1	SNA	
VZ5	0403-000772	DIODE-ZENER;UDZS20B,19.52-20.39V,20	1	SA		ZL1	2007-000070	R-CHIP;0ohm,5%,1/10W,TP,1608	1	SA	
VZ6	0403-000772	DIODE-ZENER;UDZS20B,19.52-20.39V,20	1	SA		ZL10	3301-001689	BEAD-SMD;220ohm,2012,TP,80ohm/100MH	1	SA	
VZ7	0403-000772	DIODE-ZENER;UDZS20B,19.52-20.39V,20	1	SA		ZL2	2007-000070	R-CHIP;0ohm,5%,1/10W,TP,1608	1	SA	
VZ8	0403-000772	DIODE-ZENER;UDZS20B,19.52-20.39V,20	1	SA		ZL3	2007-000659	R-CHIP;27ohm,5%,1/10W,TP,1608	1	SA	
VZ9	0403-000772	DIODE-ZENER;UDZS20B,19.52-20.39V,20	1	SA		ZL4	2007-000070	R-CHIP;0ohm,5%,1/10W,TP,1608	1	SA	
ZC1	2203-005148	C-CER,CHIP;100nF,10%,16V,X7R,TP,160	1	SA		ZL5	3301-001689	BEAD-SMD;220ohm,2012,TP,80ohm/100MH	1	SA	
ZC10	2203-005148	C-CER,CHIP;100nF,10%,16V,X7R,TP,160	1	SA		ZL6	3301-001309	BEAD-SMD;47ohm,1608,TP,-,-	1	SA	
ZC11	2203-005148	C-CER,CHIP;100nF,10%,16V,X7R,TP,160	1	SA		ZL7	3301-001309	BEAD-SMD;47ohm,1608,TP,-,-	1	SA	
ZC12	2203-005148	C-CER,CHIP;100nF,10%,16V,X7R,TP,160	1	SA		ZL8	3301-001689	BEAD-SMD;220ohm,2012,TP,80ohm/100MH	1	SA	
ZC14	2203-000626	C-CER,CHIP;0.022nF,5%,50V,COG,1608	1	SA		ZL9	3301-001689	BEAD-SMD;220ohm,2012,TP,80ohm/100MH	1	SA	
ZC15	2203-005148	C-CER,CHIP;100nF,10%,16V,X7R,TP,160	1	SA		ZR10	2007-000839	R-CHIP;39ohm,5%,1/10W,TP,1608	1	SA	
ZC16	2203-005148	C-CER,CHIP;100nF,10%,16V,X7R,TP,160	1	SA		ZR100	3301-001419	BEAD-SMD;220ohm,1608,TP,133ohm/70MH	1	SA	

Exploded Views and Parts List

Loc.No	Parts No.	Description : Specification	Q'ty	S.N.A	Remark	Loc.No	Parts No.	Description : Specification	Q'ty	S.N.A	Remark
ZR12	2007-000839	R-CHIP:39ohm,5%,1/10W,TP,1608	1	SA		C1SS02	2301-001718	C-FILM,LEAD;47nF,10%,275V,BK,17*5*1	1	SA	
ZR14	2007-000839	R-CHIP:39ohm,5%,1/10W,TP,1608	1	SA		C1SS03	2201-002044	C-CERAMIC,DISC;0.1NF,10%,400V,Y5P,T	1	SA	
ZR150	2007-000084	R-CHIP:4.7Kohm,5%,1/10W,TP,1608	1	SA		C1SS05	2201-002044	C-CERAMIC,DISC;0.1NF,10%,400V,Y5P,T	1	SA	
ZR151	2007-000074	R-CHIP:100ohm,5%,1/10W,TP,1608	1	SA		C1SS06	2201-002044	C-CERAMIC,DISC;0.1NF,10%,400V,Y5P,T	1	SA	
ZR152	2007-000070	R-CHIP:0ohm,5%,1/10W,TP,1608	1	SA		C1SS10	2401-003303	C-AL;82uF,20%,400V,GP,BK,22X30,10	1	SA	
ZR153	2007-000084	R-CHIP:4.7Kohm,5%,1/10W,TP,1608	1	SA		C1SS15	2401-001992	C-AL;2200UF,20%,10V,WT,TP,10X20MM,5	1	SA	
ZR154	2007-000084	R-CHIP:4.7Kohm,5%,1/10W,TP,1608	1	SA		C1SS16	2401-003480	C-AL;1000UF,20%,10V,LZ,TP,10X16MM,5	1	SA	
ZR16	2007-000839	R-CHIP:39ohm,5%,1/10W,TP,1608	1	SA		C1SS17	2401-001992	C-AL;2200UF,20%,10V,WT,TP,10X20MM,5	1	SA	
ZR2	2007-000078	R-CHIP:1Kohm,5%,1/10W,TP,1608	1	SA		C1SS18	2401-001992	C-AL;2200UF,20%,10V,WT,TP,10X20MM,5	1	SA	
ZR24	2007-000109	R-CHIP:1Mohm,5%,1/10W,TP,1608	1	SA		C1SS19	2401-000385	C-AL;10uF,20%,100V,GP,TP,6.3x11,5	1	SC	
ZR37	2007-008567	R-CHIP:15.4Kohm,1%,1/10W,TP,1608	1	SA		C1SS21	2401-001126	C-AL;330uF,20%,25V,WT,TP,10x12.5,5	1	SA	
ZR39	2007-000074	R-CHIP:100ohm,5%,1/10W,TP,1608	1	SA		C1SS22	2401-001126	C-AL;330uF,20%,25V,WT,TP,10x12.5,5	1	SA	
ZR40	2007-000074	R-CHIP:100ohm,5%,1/10W,TP,1608	1	SA		C1SS26	2401-001126	C-AL;330uF,20%,25V,WT,TP,10x12.5,5	1	SA	
ZR41	2007-000084	R-CHIP:4.7Kohm,5%,1/10W,TP,1608	1	SA		C1SS27	2301-000129	C-FILM,LEAD-PEF;100nF,5%,50V,TP,10X	1	SA	
ZR42	2007-000084	R-CHIP:4.7Kohm,5%,1/10W,TP,1608	1	SA		C315	2203-000975	C-CER,CHIP:47nF,10%,25V,X7R,TP,1608	1	SA	
ZR43	2007-000086	R-CHIP:5.6Kohm,5%,1/10W,TP,1608	1	SA		C317	2401-000588	C-AL;1uF,20%,50V,GP,TP,3x5,2,5	1	SA	
ZR44	2007-000329	R-CHIP:11Kohm,5%,1/10W,TP,1608	1	SA		C318	2401-000588	C-AL;1uF,20%,50V,GP,TP,3x5,2,5	1	SA	
ZR45	2007-000329	R-CHIP:11Kohm,5%,1/10W,TP,1608	1	SA		C319	2203-000843	C-CER,CHIP:39nF,10%,25V,X7R,1608	1	SA	
ZR46	2007-000086	R-CHIP:5.6Kohm,5%,1/10W,TP,1608	1	SA		C320	2203-000975	C-CER,CHIP:47nF,10%,25V,X7R,TP,1608	1	SA	
ZR47	2007-007277	R-CHIP:392ohm,1%,1/10W,TP,1608	1	SA		C321	2203-002398	C-CER,CHIP:22nF,10%,50V,X7R,1608	1	SA	
ZR48	3301-001419	BEAD-SMD;220ohm,1608,TP,133ohm/70MH	1	SA		C322	2401-000588	C-AL;1uF,20%,50V,GP,TP,3x5,2,5	1	SA	
ZR49	3301-001419	BEAD-SMD;220ohm,1608,TP,133ohm/70MH	1	SA		C324	2203-000257	C-CER,CHIP;10nF,10%,50V,X7R,TP,1608	1	SA	
ZR5	3301-001419	BEAD-SMD;220ohm,1608,TP,133ohm/70MH	1	SA		C325	2401-001502	C-AL;47uF,20%,16V,GP,TP,6.3x5,2,5	1	SA	
ZR52	3301-001419	BEAD-SMD;220ohm,1608,TP,133ohm/70MH	1	SA		C326	2401-000588	C-AL;1uF,20%,50V,GP,TP,3x5,2,5	1	SA	
ZR6	3301-001419	BEAD-SMD;220ohm,1608,TP,133ohm/70MH	1	SA		C327	2203-001211	C-CER,CHIP;8.2nF,10%,50V,X7R,1608	1	SA	
ZR64	2007-001164	R-CHIP:75ohm,1%,1/10W,TP,1608	1	SA		C328	2203-000257	C-CER,CHIP;10nF,10%,50V,X7R,TP,1608	1	SA	
ZR7	2007-000084	R-CHIP:4.7Kohm,5%,1/10W,TP,1608	1	SA		C329	2203-005148	C-CER,CHIP;100nF,10%,16V,X7R,TP,160	1	SA	
ZR94	2007-000074	R-CHIP:100ohm,5%,1/10W,TP,1608	1	SA		C330	2203-000975	C-CER,CHIP:47nF,10%,25V,X7R,TP,1608	1	SA	
ZY1	2801-003554	CRYSTAL-UNIT;27MHz,10ppm,28-AAM,20p	1	SA		C331	2007-000070	R-CHIP;0ohm,5%,1/10W,TP,1608	1	SA	
PO01V AK92-01588C	ASSY PCB-MAIN VCR-DVD-V6800/KE6.XET		1	SA		C332	2203-000975	C-CER,CHIP:47nF,10%,25V,X7R,TP,1608	1	SA	
BD1S01	AC27-92001M	COIL-INDUCTOR;RH3.5X6.5RS,BEAD(RADI	1	SC		C333	2401-000408	C-AL;10uF,20%,16V,GP,TP,3.5x5,2,5	1	SA	
BD1SS1	AC27-92001M	COIL-INDUCTOR;RH3.5X6.5RS,BEAD(RADI	1	SC		C334	2203-000975	C-CER,CHIP:47nF,10%,25V,X7R,TP,1608	1	SA	
BD1SS3	AC27-92001M	COIL-INDUCTOR;RH3.5X6.5RS,BEAD(RADI	1	SC		C334A	2203-000236	C-CER,CHIP;0.1nF,5%,50V,COG,1608	1	SA	
C1P101	2401-003480	C-AL;1000UF,20%,10V,LZ,TP,10X16MM,5	1	SA		C335	2203-001652	C-CER,CHIP:470nF,+80-20%,16V,Y5V,16	1	SA	
C1P102	2401-003336	C-AL;4.7UF,20%,50V,GP,TP,5X5,2	1	SA		C336	2203-000975	C-CER,CHIP:47nF,10%,25V,X7R,TP,1608	1	SA	
C1P103	2401-002026	C-AL;10UF,20%,35V,GP,TP,5X5,2,5	1	SA		C337	2203-001652	C-CER,CHIP:470nF,+80-20%,16V,Y5V,16	1	SA	
C1P104	2401-000588	C-AL;1uF,20%,50V,GP,TP,3x5,2,5	1	SA		C338	2203-000609	C-CER,CHIP:22nF,10%,50V,X7R,TP,2012	1	SA	
C1P105	2401-003336	C-AL;4.7UF,20%,50V,GP,TP,5X5,2	1	SA		C339	2401-000408	C-AL;10uF,20%,16V,GP,TP,3.5x5,2,5	1	SA	
C1P106	2401-000463	C-AL;10uF,20%,35V,GP,-,5x5,5	1	SA		C340	2401-004014	C-AL;4.7uF,20%,16V,NP,TP,4x5,2.5mm	1	SA	
C1P107	2401-003336	C-AL;4.7UF,20%,50V,GP,TP,5X5,2	1	SA		C341	2401-002165	C-AL;100uF,20%,16V,GP,TP,6.3x7,5	1	SA	
C1P109	2401-003480	C-AL;1000UF,20%,10V,LZ,TP,10X16MM,5	1	SA		C342	2202-002037	C-CERAMIC,MLC-AXIAL;100nF,+80-20%,5	1	SA	
C1P110	2401-001479	C-AL;470uF,20%,10V,GP,TP,6.3*11mm,5	1	SA		C343	2203-005065	C-CER,CHIP;1000nF,+80-20%,10V,Y5V,1	1	SA	
C1P111	2401-000463	C-AL;10uF,20%,35V,GP,-,5x5,5	1	SA		C344	2203-000315	C-CER,CHIP;0.12nF,5%,50V,COG,1608	1	SA	
C1P112	2401-002299	C-AL;4.7uF,20%,50V,GP,TP,5x7,5	1	SA		C345	2203-001607	C-CER,CHIP;0.22nF,5%,50V,NP0,1608	1	SA	
C1P113	2401-000598	C-AL;1uF,20%,50V,GP,TP,4x7,5	1	SA		C347	2203-005065	C-CER,CHIP;1000nF,+80-20%,10V,Y5V,1	1	SA	
C1P114	2401-001479	C-AL;470uF,20%,10V,GP,TP,6.3*11mm,5	1	SA		C348	2203-005148	C-CER,CHIP;100nF,10%,16V,X7R,TP,160	1	SA	
C1P115	2401-001479	C-AL;470uF,20%,10V,GP,TP,6.3*11mm,5	1	SA		C349	2203-005065	C-CER,CHIP;1000nF,+80-20%,10V,Y5V,1	1	SA	
C1P116	2401-002299	C-AL;4.7uF,20%,50V,GP,TP,5x7,5	1	SA		C350	2203-005148	C-CER,CHIP;100nF,10%,16V,X7R,TP,160	1	SA	
C1P117	2203-005065	C-CER,CHIP;1000nF,+80-20%,10V,Y5V,1	1	SA		C351	2401-001502	C-AL;47uF,20%,16V,GP,TP,6.3x5,2,5	1	SA	
C1P123	2203-005148	C-CER,CHIP;100nF,10%,16V,X7R,TP,160	1	SA		C352	2401-000588	C-AL;1uF,20%,50V,GP,TP,3x5,2,5	1	SA	
C1SD12	2201-002076	C-CERAMIC,DISC;0.068nF,5%,1kV,SL,TP	1	SA		C353	2401-000588	C-AL;1uF,20%,50V,GP,TP,3x5,2,5	1	SA	
C1SF11	2305-001029	C-FILM,LEAD-PEF;10nF,10%,630V,TP,12	1	SA		C354	2401-001502	C-AL;47uF,20%,16V,GP,TP,6.3x5,2,5	1	SA	
C1SF12	2401-000598	C-AL;1uF,20%,50V,GP,TP,4x7,5	1	SA		C355	2203-000975	C-CER,CHIP:47nF,10%,25V,X7R,TP,1608	1	SA	
C1SF13	2301-000224	C-FILM,LEAD-PEF;22nF,5%,50V,TP,7.4x	1	SA		C355A	2203-000236	C-CER,CHIP;0.1nF,5%,50V,COG,1608	1	SA	
C1SF14	2401-002608	C-AL;33uF,20%,35V,GP,TP,5x11,5	1	SA		C380	2203-002398	C-CER,CHIP;22nF,10%,50V,X7R,1608	1	SA	
C1SF15	2401-000463	C-AL;10uF,20%,35V,GP,-,5x5,5	1	SA		C384	2203-005148	C-CER,CHIP;100nF,10%,16V,X7R,TP,160	1	SA	
C1SS01	2301-001718	C-FILM,LEAD;47nF,10%,275V,BK,17*5*1	1	SA		C385	2401-002165	C-AL;100uF,20%,16V,GP,TP,6.3x7,5	1	SA	
						C392	2203-000257	C-CER,CHIP;10nF,10%,50V,X7R,TP,1608	1	SA	
						C3A01	2401-002299	C-AL;4.7uF,20%,50V,GP,TP,5x7,5	1	SA	

Loc.No	Parts No.	Description : Specification	Q'ty	S.N.A	Remark	Loc.No	Parts No.	Description : Specification	Q'ty	S.N.A	Remark
C3A02	2401-000922	C-AL;22uF,20%,16V,GP,TP,5x5,5	1	SA		C507	2401-000909	C-AL;22uF,20%,16V,GP,TP,5x5,2.5	1	SA	
C3A08	2203-000257	C-CER,CHIP;10nF,10%,50V,X7R,TP,1608	1	SA		C508	2203-000888	C-CER,CHIP;4.7nF,10%,50V,X7R,1608	1	SA	
C3A09	2203-001103	C-CER,CHIP;6.8nF,10%,50V,X7R,1608	1	SA		C510	2401-001502	C-AL;47uF,20%,16V,GP,TP,6.3x5,2.5	1	SA	
C3A10	2203-001211	C-CER,CHIP;8.2nF,10%,50V,X7R,1608	1	SA		C511	2203-000257	C-CER,CHIP;10nF,10%,50V,X7R,TP,1608	1	SA	
C3A11	2301-000016	C-FILM,LEAD-PEF;22nF,5%,100V,TP,7,2	1	SA		C513	2203-000257	C-CER,CHIP;10nF,10%,50V,X7R,TP,1608	1	SA	
C3A12	2401-002095	C-AL;47uF,20%,25V,GP,TP,6.3x5,5	1	SA		C517	2203-000888	C-CER,CHIP;4.7nF,10%,50V,X7R,1608	1	SA	
C3A14	2202-000263	C-CERAMIC,MLC-AXIAL;470pF,10%,50V,Y	1	SA		C518	2401-000909	C-AL;22uF,20%,16V,GP,TP,5x5,2.5	1	SA	
C3A15	2203-000257	C-CER,CHIP;10nF,10%,50V,X7R,TP,1608	1	SA		C519	2203-000257	C-CER,CHIP;10nF,10%,50V,X7R,TP,1608	1	SA	
C3A16	2401-002299	C-AL;4.7uF,20%,50V,GP,TP,5x7,5	1	SA		C520	2401-001249	C-AL;4.7uF,20%,35V,GP,TP,4x5,2.5	1	SA	
C3A17	2401-000414	C-AL;10uF,20%,16V,GP,TP,4x7,5	1	SA		C521	2401-000408	C-AL;10uF,20%,16V,GP,TP,3.5x5,2.5	1	SA	
C3A18	2203-001126	C-CER,CHIP;0.68nF,10%,50V,X7R,1608	1	SA		C522	2203-005148	C-CER,CHIP;100nF,10%,16V,X7R,TP,160	1	SA	
C3A21A	2203-001554	C-CER,CHIP;1.8nF,10%,50V,X7R,1608	1	SA		C523	2203-005148	C-CER,CHIP;100nF,10%,16V,X7R,TP,160	1	SA	
C3A23	2401-002069	C-AL;33uF,20%,16V,GP,TP,6.3x5,5	1	SA		C524	2401-001249	C-AL;4.7uF,20%,35V,GP,TP,4x5,2.5	1	SA	
C3A24	2203-005148	C-CER,CHIP;100nF,10%,16V,X7R,TP,160	1	SA		C525	2401-001249	C-AL;4.7uF,20%,35V,GP,TP,4x5,2.5	1	SA	
C3A29	2203-005148	C-CER,CHIP;100nF,10%,16V,X7R,TP,160	1	SA		C526	2401-002165	C-AL;100uF,20%,16V,GP,TP,6.3x7,5	1	SA	
C3A30	2401-001502	C-AL;47uF,20%,16V,GP,TP,6.3x5,2.5	1	SA		C527	2202-000797	C-CERAMIC,MLC-AXIAL;10nF,30%,16V,Y5	1	SA	
C3A40	2401-000414	C-AL;10uF,20%,16V,GP,TP,4x7,5	1	SA		C529	2401-001250	C-AL;4.7uF,20%,35V,GP,TP,4x5,5	1	SA	
C3A41	2401-000588	C-AL;1uF,20%,50V,GP,TP,3x5,2.5	1	SA		C530	2203-005148	C-CER,CHIP;100nF,10%,16V,X7R,TP,160	1	SA	
C3A70	2203-001126	C-CER,CHIP;0.68nF,10%,50V,X7R,1608	1	SA		C535	2203-005148	C-CER,CHIP;100nF,10%,16V,X7R,TP,160	1	SA	
C401	2401-003107	C-AL;47uF,20%,16V,GP,TP,5x7,5	1	SA		C536	2203-005148	C-CER,CHIP;100nF,10%,16V,X7R,TP,160	1	SA	
C402	2203-002398	C-CER,CHIP;22nF,10%,50V,X7R,1608	1	SA		C537	2401-000665	C-AL;2.2uF,20%,50V,GP,TP,3.5x5,5	1	SA	
C403	2401-001502	C-AL;47uF,20%,16V,GP,TP,6.3x5,2.5	1	SA		C538	2401-002569	C-AL;2.2uF,20%,50V,GP,TP,4x5,2.5	1	SA	
C404	2401-001077	C-AL;330nF,20%,50V,GP,TP,4x7mm,5mm	1	SA		C539	2401-001250	C-AL;4.7uF,20%,35V,GP,TP,4x5,5	1	SA	
C405	2401-002438	C-AL;47#F,20%,50V,WT,TP,6.3x11,5mm	1	SA		C540	2401-001250	C-AL;4.7uF,20%,35V,GP,TP,4x5,5	1	SA	
C406	2203-000257	C-CER,CHIP;10nF,10%,50V,X7R,TP,1608	1	SA		C541	2401-000588	C-AL;1uF,20%,50V,GP,TP,3x5,2.5	1	SA	
C407	2401-003107	C-AL;47uF,20%,16V,GP,TP,5x7,5	1	SA		C601	2203-002398	C-CER,CHIP;22nF,10%,50V,X7R,1608	1	SA	
C409	2401-002299	C-AL;4.7uF,20%,50V,GP,TP,5x7,5	1	SA		C602	2401-002095	C-AL;47uF,20%,25V,GP,TP,6.3x5,5	1	SA	
C410	2203-000257	C-CER,CHIP;10nF,10%,50V,X7R,TP,1608	1	SA		C605	2203-000257	C-CER,CHIP;10nF,10%,50V,X7R,TP,1608	1	SA	
C4N01	2203-000140	C-CER,CHIP;1.5nF,10%,50V,X7R,1608	1	SA		C606	2203-000257	C-CER,CHIP;10nF,10%,50V,X7R,TP,1608	1	SA	
C4N02	2401-000408	C-AL;10uF,20%,16V,GP,TP,3.5x5,2.5	1	SA		C607A	2401-003107	C-AL;47uF,20%,16V,GP,TP,5x7,5	1	SA	
C4N03	2203-001607	C-CER,CHIP;0.22nF,5%,50V,NP0,1608	1	SA		C608	2401-000118	C-AL;1000uF,20%,10V,GP,TP,10x12,5,5	1	SA	
C4N04	2401-000665	C-AL;2.2uF,20%,50V,GP,TP,3.5x5,5	1	SA		C610	2202-002037	C-CERAMIC,MLC-AXIAL;100nF,+80-20%,5	1	SA	
C4N05	2203-000257	C-CER,CHIP;10nF,10%,50V,X7R,TP,1608	1	SA		C618	2401-000360	C-AL;100uF,20%,50V,GP,TP,8x11,5,5	1	SA	
C4N06	2203-000257	C-CER,CHIP;10nF,10%,50V,X7R,TP,1608	1	SA		C618A	2401-002095	C-AL;47uF,20%,25V,GP,TP,6.3x5,5	1	SA	
C4N07	2203-001656	C-CER,CHIP;0.47nF,5%,50V,NP0,1608	1	SA		C619	2203-000257	C-CER,CHIP;10nF,10%,50V,X7R,TP,1608	1	SA	
C4N08	2203-000140	C-CER,CHIP;1.5nF,10%,50V,X7R,1608	1	SA		C620	2401-001543	C-AL;47uF,20%,25V,GP,TP,6.3x5mm,2.5	1	SA	
C4N09	2401-000408	C-AL;10uF,20%,16V,GP,TP,3.5x5,2.5	1	SA		C621	2203-000257	C-CER,CHIP;10nF,10%,50V,X7R,TP,1608	1	SA	
C4N10	2401-000408	C-AL;10uF,20%,16V,GP,TP,3.5x5,2.5	1	SA		C623	2203-000257	C-CER,CHIP;10nF,10%,50V,X7R,TP,1608	1	SA	
C4N11	2401-002186	C-AL;3.3uF,20%,50V,GP,BK,4x5,2.5	1	SA		C626	2203-000626	C-CER,CHIP;0.022nF,5%,50V,COG,1608	1	SA	
C4N12	2203-005148	C-CER,CHIP;100nF,10%,16V,X7R,TP,160	1	SA		C627	2203-000626	C-CER,CHIP;0.022nF,5%,50V,COG,1608	1	SA	
C4N13	2203-005148	C-CER,CHIP;100nF,10%,16V,X7R,TP,160	1	SA		C628	2203-000681	C-CER,CHIP;0.027nF,5%,50V,COG,1608	1	SA	
C4N14	2401-000408	C-AL;10uF,20%,16V,GP,TP,3.5x5,2.5	1	SA		C631	2203-000257	C-CER,CHIP;10nF,10%,50V,X7R,TP,1608	1	SA	
C4N15	2203-005148	C-CER,CHIP;100nF,10%,16V,X7R,TP,160	1	SA		C635	2203-000491	C-CER,CHIP;2.2nF,10%,50V,X7R,1608	1	SA	
C4N16	2401-001502	C-AL;47uF,20%,16V,GP,TP,6.3x5,2.5	1	SA		C636	2203-000491	C-CER,CHIP;2.2nF,10%,50V,X7R,1608	1	SA	
C4N17	2203-001656	C-CER,CHIP;0.47nF,5%,50V,NP0,1608	1	SA		C637	2203-001656	C-CER,CHIP;0.47nF,5%,50V,NP0,1608	1	SA	
C4N18	2203-001656	C-CER,CHIP;0.47nF,5%,50V,NP0,1608	1	SA		C638	2401-002196	C-AL;4.7UF,20,25V,GP,TP,4X5,5	1	SA	
C4N19	2203-000998	C-CER,CHIP;0.047nF,5%,50V,COG,1608	1	SA		C639	2203-000236	C-CER,CHIP;0.1nF,5%,50V,COG,1608	1	SA	
C4N21	2201-002069	C-CERAMIC,DISC;0.0015nF,0.25PF,50V,	1	SA		C640	2203-005148	C-CER,CHIP;100nF,10%,16V,X7R,TP,160	1	SA	
C4N22	2201-002069	C-CERAMIC,DISC;0.0015nF,0.25PF,50V,	1	SA		C641	2401-003221	C-AL;100uF,20%,16V,GP,TP,8X5,2.5	1	SA	
C4N23	2401-000598	C-AL;1uF,20%,50V,GP,TP,4x7,5	1	SA		C642	2401-002095	C-AL;47uF,20%,25V,GP,TP,6.3x5,5	1	SA	
C4N24	2401-000598	C-AL;1uF,20%,50V,GP,TP,4x7,5	1	SA		C645	2203-000357	C-CER,CHIP;0.15nF,5%,50V,COG,1608	1	SA	
C4N25	2203-005148	C-CER,CHIP;100nF,10%,16V,X7R,TP,160	1	SA		C646	2203-005148	C-CER,CHIP;100nF,10%,16V,X7R,TP,160	1	SA	
C4N30	2203-000257	C-CER,CHIP;10nF,10%,50V,X7R,TP,1608	1	SA		C659A	2203-001140	C-CER,CHIP;68nF,10%,16V,X7R,1608	1	SA	
C501	2401-000408	C-AL;10uF,20%,16V,GP,TP,3.5x5,2.5	1	SA		C661	2202-002055	C-CERAMIC,MLC-AXIAL;47nF,+80-20%,50	1	SA	
C502	2203-005148	C-CER,CHIP;100nF,10%,16V,X7R,TP,160	1	SA		C688	2401-003107	C-AL;47uF,20%,16V,GP,TP,5x7,5	1	SA	
C503	2401-000909	C-AL;22uF,20%,16V,GP,TP,5x5,2.5	1	SA		C691	2203-000257	C-CER,CHIP;10nF,10%,50V,X7R,TP,1608	1	SA	
C504	2401-000408	C-AL;10uF,20%,16V,GP,TP,3.5x5,2.5	1	SA		C695	2203-000357	C-CER,CHIP;0.15nF,5%,50V,COG,1608	1	SA	
C505	2401-001249	C-AL;4.7uF,20%,35V,GP,TP,4x5,2.5	1	SA		C696	2203-000236	C-CER,CHIP;0.1nF,5%,50V,COG,1608	1	SA	
C506	2203-000257	C-CER,CHIP;10nF,10%,50V,X7R,TP,1608	1	SA		C6P01	2203-000257	C-CER,CHIP;10nF,10%,50V,X7R,TP,1608	1	SA	

Exploded Views and Parts List

Loc.No	Parts No.	Description : Specification	Q'ty	S.N.A	Remark	Loc.No	Parts No.	Description : Specification	Q'ty	S.N.A	Remark
C6P04	2203-000681	C-CER,CHIP:0.027nF,5%,50V,C0G,1608	1	SA		D1SS01	0402-001196	DIODE-RECTIFIER;1T5,600V,1A,TS-1,TP	1	SA	
C6P05	2203-000681	C-CER,CHIP:0.027nF,5%,50V,C0G,1608	1	SA		D1SS02	0402-001196	DIODE-RECTIFIER;1T5,600V,1A,TS-1,TP	1	SA	
C6P06	2203-000440	C-CER,CHIP:1nF,10%,50V,X7R,1608	1	SA		D1SS03	0402-001196	DIODE-RECTIFIER;1T5,600V,1A,TS-1,TP	1	SA	
C6P07	2401-002299	C-AL;4.7uF,20%,16V,GP,TP,5x7,5	1	SA		D1SS04	0402-001196	DIODE-RECTIFIER;1T5,600V,1A,TS-1,TP	1	SA	
C6P08	2203-001071	C-CER,CHIP:0.056nF,5%,50V,C0G,1608	1	SA		D1SS11	0402-000012	DIODE-RECTIFIER;UF4007,1KV,1A,DO-41	1	SA	
C6P10	2401-000598	C-AL;1uF,20%,50V,GP,TP,4x7,5	1	SA		D1SS12	0402-001439	DIODE-RECTIFIER;SHK75-11,100V,3A,DO	1	SA	
C6P11	2401-000598	C-AL;1uF,20%,50V,GP,TP,4x7,5	1	SA		D1SS14	0402-001643	DIODE-RECTIFIER;MBRF10A0,100V,10AJ	1	SA	
C6P12	2401-002165	C-AL;100uF,20%,16V,GP,TP,6.3x7,5	1	SA		D1SS15	0402-001195	DIODE-RECTIFIER;FT14,400V,1A,DO-204	1	SA	
C6P13	2203-005148	C-CER,CHIP:100nF,10%,16V,X7R,TP,160	1	SA		D1SS16	0402-001680	DIODE-RECTIFIER;SF34,200V,3A,DO-201	1	SA	
C6P15	2203-001140	C-CER,CHIP:68nF,10%,16V,X7R,1608	1	SA		D1SS19	0402-001195	DIODE-RECTIFIER;FT14,400V,1A,DO-204	1	SA	
C701	2401-000009	C-AL;100uF,20%,16V,GP,TP,6.3x7,5	1	SA		D301	0401-000005	DIODE-SWITCHING;1N4148,75V,150mA,DO	1	SA	
C702	2203-000257	C-CER,CHIP:10nF,10%,50V,X7R,TP,1608	1	SA		D302	0402-000127	DIODE-RECTIFIER;1N4002,100V,1A,DO-4	1	SA	
C703	2203-000440	C-CER,CHIP:1nF,10%,50V,X7R,1608	1	SA		D303	0401-000005	DIODE-SWITCHING;1N4148,75V,150mA,DO	1	SA	
C706	2203-000239	C-CER,CHIP:0.1nF,5%,50V,C0G,2012	1	SA		D401	0402-000127	DIODE-RECTIFIER;1N4002,100V,1A,DO-4	1	SA	
C707	2401-001992	C-AL;2200UF,20%,10V,WT,TP,10X20MM,5	1	SA		D4N01	0401-000005	DIODE-SWITCHING;1N4148,75V,150mA,DO	1	SA	
C708A	2203-000257	C-CER,CHIP:10nF,10%,50V,X7R,TP,1608	1	SA		D4N02	0401-000005	DIODE-SWITCHING;1N4148,75V,150mA,DO	1	SA	
C812	2401-000922	C-AL;22uF,20%,16V,GP,TP,5x5,5	1	SA		D501	0402-000127	DIODE-RECTIFIER;1N4002,100V,1A,DO-4	1	SA	
C813	2401-000922	C-AL;22uF,20%,16V,GP,TP,5x5,5	1	SA		D603	0401-000005	DIODE-SWITCHING;1N4148,75V,150mA,DO	1	SA	
C814	2401-000922	C-AL;22uF,20%,16V,GP,TP,5x5,5	1	SA		D620	0402-000127	DIODE-RECTIFIER;1N4002,100V,1A,DO-4	1	SA	
C815	2401-000922	C-AL;22uF,20%,16V,GP,TP,5x5,5	1	SA		D688	0401-000005	DIODE-SWITCHING;1N4148,75V,150mA,DO	1	SA	
C816	2401-002165	C-AL;100uF,20%,16V,GP,TP,6.3x7,5	1	SA		D692	0402-000127	DIODE-RECTIFIER;1N4002,100V,1A,DO-4	1	SA	
C817	2203-000257	C-CER,CHIP:10nF,10%,50V,X7R,TP,1608	1	SA		D6P01	0401-000005	DIODE-SWITCHING;1N4148,75V,150mA,DO	1	SA	
C818	2203-000783	C-CER,CHIP:0.33nF,5%,50V,C0G,1608	1	SA		D701	0401-000005	DIODE-SWITCHING;1N4148,75V,150mA,DO	1	SA	
C819	2203-000783	C-CER,CHIP:0.33nF,5%,50V,C0G,1608	1	SA		D702	0401-000005	DIODE-SWITCHING;1N4148,75V,150mA,DO	1	SA	
C820	2203-000783	C-CER,CHIP:0.33nF,5%,50V,C0G,1608	1	SA		D703	0401-000005	DIODE-SWITCHING;1N4148,75V,150mA,DO	1	SA	
C821	2203-000783	C-CER,CHIP:0.33nF,5%,50V,C0G,1608	1	SA		D704	0401-000005	DIODE-SWITCHING;1N4148,75V,150mA,DO	1	SA	
C822A	2203-000236	C-CER,CHIP:0.1nF,5%,50V,C0G,1608	1	SA		D705	0401-000005	DIODE-SWITCHING;1N4148,75V,150mA,DO	1	SA	
C823	2203-000783	C-CER,CHIP:0.33nF,5%,50V,C0G,1608	1	SA		D801	0401-000133	DIODE-SWITCHING;RLS4148,75V,150mA,L	1	SA	
C824	2203-000783	C-CER,CHIP:0.33nF,5%,50V,C0G,1608	1	SA		D805	0401-000005	DIODE-SWITCHING;1N4148,75V,150mA,DO	1	SA	
C825	2203-000783	C-CER,CHIP:0.33nF,5%,50V,C0G,1608	1	SA		DT701	AK07-00050A	LED DISPLAY;BCD-9043A,DVD-V5600,5-D	1	SA	
C826	2203-000783	C-CER,CHIP:0.33nF,5%,50V,C0G,1608	1	SA		F1SS01	3601-001123	FUSE-CARTRIDGE;250V,1.6A,TIME-LAG,C	1	SA	
C835	2401-001479	C-AL;470uF,20%,10V,GP,TP,6.3*11mm,5	1	SA		FL042	3809-001206	CABLE-FLAT;30V,80C,140MM,6P,1.25MM,	1	SA	
C837	2203-000257	C-CER,CHIP:10nF,10%,50V,X7R,TP,1608	1	SA		FL3A01	2702-001142	INDUCTOR-RADIAL;47uH,5%,6.2x7.4mm	1	SA	
C840	2203-005148	C-CER,CHIP:100nF,10%,16V,X7R,TP,160	1	SA		FZ01	3601-001240	FUSE-RADIAL LEAD;50V,1A,--,5.0x4.0	1	SA	
C841	2203-000041	C-CER,CHIP:0.01nF,0.25pF,50V,C0G,16	1	SA		FZ02	3601-001240	FUSE-RADIAL LEAD;50V,1A,--,5.0x4.0	1	SA	
C844	2401-000414	C-AL;10uF,20%,16V,GP,TP,4x7,5	1	SA		IC1S02	0604-001028	PHOTO-COUPLER;TR,50-600%,250mW,DIP-	1	SC	
C845	2401-000414	C-AL;10uF,20%,16V,GP,TP,4x7,5	1	SA		IC1S03	AC14-12006D	IC;KA431Z,TO-92,TAPING	1	SA	
C851	2401-000922	C-AL;22uF,20%,16V,GP,TP,5x5,5	1	SA		IC1SS2	1203-002651	IC-PWM CONTROLLER;ICE2B265,DIP,8P,9	1	SA	
C852	2401-000922	C-AL;22uF,20%,16V,GP,TP,5x5,5	1	SA		IC301	1204-002140	IC-VIDEO PROCESSOR;LA71750EM-MPB-E,QF	1	SA	
C853	2203-000888	C-CER,CHIP;4.7nF,10%,50V,X7R,1608	1	SA		IC4N01	1204-001766	IC-AUDIO PROCESSOR;MSP3407D(PQFP),P	1	SA	
C854	2203-000888	C-CER,CHIP;4.7nF,10%,50V,X7R,1608	1	SA		IC501	1204-001920	IC-AUDIO PROCESSOR;LA72646M,QFP,80P	1	SA	
C856	2203-000440	C-CER,CHIP;1nF,10%,50V,X7R,1608	1	SA		IC601	AK09-00146A	IC MICOM;N128-C17-3BA,DVD-V5700/XEG	1	SNA	
C857	2203-000440	C-CER,CHIP;1nF,10%,50V,X7R,1608	1	SA		IC604	AC14-12006C	IC;KA7533,DIP,-	1	SA	
C858	2401-000922	C-AL;22uF,20%,16V,GP,TP,5x5,5	1	SA		IC605	1103-001224	IC-EEPROM;524L50X51,2Kx8,SOP,8P,5.1	1	SA	
C859	2401-001496	C-AL;47uF,20%,16V,GP,TP,5x7,5	1	SA		IC6P01	1204-001794	IC-AUDIO PROCESSOR;LC74775NM-9808,M	1	SA	
C890	2401-000922	C-AL;22uF,20%,16V,GP,TP,5x5,5	1	SA		IC701	1003-001561	IC-LED DRIVER;PT6961,SOP,32P,300MIL	1	SA	
CN01	3711-005565	HEADER-BOARD TO BOARD;NOWALL,24P,1R	1	SA		IC802	0801-002741	IC-CMOS LOGIC;4053,MUX,SSOP,16P,5X4	1	SA	
CN1SS1	3711-000203	HEADER-BOARD TO CABLE;1WALL,2P/3P,1	1	SA		J001	2007-000070	R-CHIP;0ohm,5%,1/10W,TP,1608	1	SA	
CN301	3708-000391	CONNECTOR-FPC/FFC/PIC;10P,1.25mm,ST	1	SA		J002	2007-000070	R-CHIP;0ohm,5%,1/10W,TP,1608	1	SA	
CN3A01	3708-001165	CONNECTOR-FPC/FFC/PIC;6P,1.25MM,STR	1	SA		J003	2007-000070	R-CHIP;0ohm,5%,1/10W,TP,1608	1	SA	
CN3A02	AC37-00028A	CONNECTOR-SOCKET,-;X-11,T9,0,W8,5,P	1	SA		J004	2007-000070	R-CHIP;0ohm,5%,1/10W,TP,1608	1	SA	
CN604	AC37-00027A	CONNECTOR-HEADER;20045WS,X-11,T8,5,	1	SA		J005	2007-000070	R-CHIP;0ohm,5%,1/10W,TP,1608	1	SA	
CN701A	3711-004625	HEADER-BOARD TO CABLE;3WALL,8P,1R,2	1	SA		J006	2007-000070	R-CHIP;0ohm,5%,1/10W,TP,1608	1	SA	
D1P104	0401-000005	DIODE-SWITCHING;1N4148,75V,150mA,DO	1	SA		J03C	2007-000070	R-CHIP;0ohm,5%,1/10W,TP,1608	1	SA	
D1P105	0401-000005	DIODE-SWITCHING;1N4148,75V,150mA,DO	1	SA		J330	2007-000070	R-CHIP;0ohm,5%,1/10W,TP,1608	1	SA	
D1P106	0401-000005	DIODE-SWITCHING;1N4148,75V,150mA,DO	1	SA		J50A	2007-000070	R-CHIP;0ohm,5%,1/10W,TP,1608	1	SA	
D1P107	0401-000005	DIODE-SWITCHING;1N4148,75V,150mA,DO	1	SA		J905	2007-000070	R-CHIP;0ohm,5%,1/10W,TP,1608	1	SA	
D1P108	0401-000005	DIODE-SWITCHING;1N4148,75V,150mA,DO	1	SA		J910	2007-000029	R-CHIP;0ohm,5%,1/8W,TP,2012	1	SA	
D1P130	0402-000127	DIODE-RECTIFIER;1N4002,100V,1A,DO-4	1	SA		J911	2007-000029	R-CHIP;0ohm,5%,1/8W,TP,2012	1	SA	
D1SD10	0402-001195	DIODE-RECTIFIER;FT14,400V,1A,DO-204	1	SA							

Loc.No	Parts No.	Description : Specification	Q'ty	S.N.A	Remark	Loc.No	Parts No.	Description : Specification	Q'ty	S.N.A	Remark
J912	2007-000070	R-CHIP;0ohm,5%,1/10W,TP,1608	1	SA		Q1P110	0501-000362	TR-SMALL SIGNAL;KSC2328A-Y,NPN,1000	1	SA	
J913	2007-000070	R-CHIP;0ohm,5%,1/10W,TP,1608	1	SA		Q1P111	0501-000362	TR-SMALL SIGNAL;KSC2328A-Y,NPN,1000	1	SA	
J914	2007-000029	R-CHIP;0ohm,5%,1/8W,TP,2012	1	SA		Q351	0501-000002	TR-SMALL SIGNAL;KSA812,PNP,150MW,SO	1	SA	
JACE1	2007-000070	R-CHIP;0ohm,5%,1/10W,TP,1608	1	SA		Q3A01	0501-000398	TR-SMALL SIGNAL;KSC945-Y,NPN,250mW,	1	SA	
JC801	3722-001573	JACK-SCART;42P/2R,SN,BLK/BLU	1	SA		Q3A02	0501-000303	TR-SMALL SIGNAL;KSA733,PNP,250mW,TO	1	SA	
JC802	AC37-22002N	JACK-PIN;3.2mm,DPAE-9836,3P(1),HI-F	1	SA		Q3A03	0501-000442	TR-SMALL SIGNAL;KTC3203-Y,NPN,400mW	1	SA	
L1P102	AC27-12001N	COIL CHOKE;10UH-15%,RA,K-30,Q80,150	1	SA		Q3A04	0501-000442	TR-SMALL SIGNAL;KTC3203-Y,NPN,400mW	1	SA	
L1SS01	AC29-00002A	FILTER LINE NOISE;-;30mH,-,-,BLF-21	1	SA		Q3A05	0501-000442	TR-SMALL SIGNAL;KTC3203-Y,NPN,400mW	1	SA	
L1SS02	AC29-00003A	FILTER LINE NOISE;-;20mH MIN,-,-,-	1	SA		Q3A06	0501-000002	TR-SMALL SIGNAL;KSA812,PNP,150MW,SO	1	SA	
L1SS03	AC27-12001N	COIL CHOKE;10UH-15%,RA,K-30,Q80,150	1	SA		Q401	0501-000002	TR-SMALL SIGNAL;KSA812,PNP,150MW,SO	1	SA	
L1SS04	AC27-12001N	COIL CHOKE;10UH-15%,RA,K-30,Q80,150	1	SA		Q601	0504-000129	TR-DIGITAL;KSR1104,NPN,200mW,47K/47	1	SA	
L1SS05	AC27-12001N	COIL CHOKE;10UH-15%,RA,K-30,Q80,150	1	SA		Q6P01	0501-000303	TR-SMALL SIGNAL;KSA733,PNP,250mW,TO	1	SA	
L301	2701-000002	INDUCTOR-AXIAL;100UH,10%,4298	1	SA		Q6P02	0501-000303	TR-SMALL SIGNAL;KSA733,PNP,250mW,TO	1	SA	
L302	2701-000002	INDUCTOR-AXIAL;100UH,10%,4298	1	SA		Q6P04	0501-000398	TR-SMALL SIGNAL;KSC945-Y,NPN,250mW,	1	SA	
L303	2701-000002	INDUCTOR-AXIAL;100UH,10%,4298	1	SA		Q802	0504-000119	TR-DIGITAL;KSR1004,NPN,300MW,47K/47	1	SA	
L304	3301-000297	BEAD-AXIAL;25ohm,3.6x1.2x5.7mm,-,TP	1	SA		Q803	0504-000129	TR-DIGITAL;KSR1104,NPN,200mW,47K/47	1	SA	
L370	2701-000113	INDUCTOR-AXIAL;100UH,5%,2534	1	SA		Q804	0504-000142	TR-DIGITAL;FJN4301R,PNP,300MW,4.7K/	1	SA	
L3A01	2702-000120	INDUCTOR-RADIAL;15000uH,5%,6.2x7.4mm	1	SA		Q806	0504-000128	TR-DIGITAL;-;NPN,200MW,22K/22K,SOT-	1	SA	
L3A02	2701-000002	INDUCTOR-AXIAL;100UH,10%,4298	1	SA		Q808	0504-000119	TR-DIGITAL;KSR1004,NPN,300MW,47K/47	1	SA	
L3A03	2701-000002	INDUCTOR-AXIAL;100UH,10%,4298	1	SA		Q809	0501-000341	TR-SMALL SIGNAL;KSC1623-L,NPN,200mW	1	SA	
L3A70	2702-000120	INDUCTOR-RADIAL;15000uH,5%,6.2x7.4mm	1	SA		Q810	0501-000341	TR-SMALL SIGNAL;KSC1623-L,NPN,200mW	1	SA	
L401	AC27-12001N	COIL CHOKE;10UH-15%,RA,K-30,Q80,150	1	SA		Q811	0501-000341	TR-SMALL SIGNAL;KSC1623-L,NPN,200mW	1	SA	
L4N01	2702-000160	INDUCTOR-RADIAL;4.7uH,10%,6.0x6.4mm	1	SA		Q891A	0501-000398	TR-SMALL SIGNAL;KSC945-Y,NPN,250mW,	1	SA	
L4N02	2702-000106	INDUCTOR-RADIAL;100uH,10%,6.2x7.4mm	1	SA		Q891B	0501-000398	TR-SMALL SIGNAL;KSC945-Y,NPN,250mW,	1	SA	
L4N03	2702-000160	INDUCTOR-RADIAL;4.7uH,10%,6.0x6.4mm	1	SA		R1P101	2001-000855	R-CARBON;560OHM,5%,1/4W,AA,TP,2.4X6	1	SA	
L4N04	3301-000297	BEAD-AXIAL;25ohm,3.6x1.2x5.7mm,-,TP	1	SA		R1P103	2007-000402	R-CHIP;150ohm,5%,1/10W,TP,1608	1	SA	
L501	2701-000002	INDUCTOR-AXIAL;100UH,10%,4298	1	SA		R1P104	2001-000449	R-CARBON;2.2KOHM,5%,1/8W,AA,TP,1.8X	1	SA	
L603	2701-000002	INDUCTOR-AXIAL;100UH,10%,4298	1	SA		R1P105	2001-000969	R-CARBON;750HM,5%,1/8W,AA,TP,1.8X3.	1	SA	
L605	2701-000002	INDUCTOR-AXIAL;100UH,10%,4298	1	SA		R1P109	2001-000362	R-CARBON;150OHM,5%,1/8W,AA,TP,1.8X3	1	SA	
L6P01	2701-000002	INDUCTOR-AXIAL;100UH,10%,4298	1	SA		R1P10B	2007-000090	R-CHIP;10Kohm,5%,1/10W,TP,1608	1	SA	
L6P03	2701-000160	INDUCTOR-AXIAL;22uH,5%,2434	1	SA		R1P110	2001-000449	R-CARBON;2.2KOHM,5%,1/8W,AA,TP,1.8X	1	SA	
L6P05	2701-000165	INDUCTOR-AXIAL;27uH,5%,2434	1	SA		R1P111	2001-000062	R-CARBON;470OHM,5%,1/4W,AA,TP,2.4X6	1	SA	
L701	2701-000002	INDUCTOR-AXIAL;100UH,10%,4298	1	SA		R1P112	2001-000302	R-CARBON;100HM,5%,1/8W,AA,TP,1.8X3.	1	SA	
L702	2701-000002	INDUCTOR-AXIAL;100UH,10%,4298	1	SA		R1P122	2007-000134	R-CHIP;33Kohm,5%,1/10W,TP,1608	1	SA	
L803	2701-000181	INDUCTOR-AXIAL;33uH,5%,2434	1	SA		R1SD12	2001-000708	R-CARBON;390HM,5%,1/8W,AA,TP,1.8X3.	1	SA	
L804	2701-000181	INDUCTOR-AXIAL;33uH,5%,2434	1	SA		R1SD15	2001-000290	R-CARBON;10KOHM,5%,1/8W,AA,TP,1.8X3	1	SA	
L805	2701-000181	INDUCTOR-AXIAL;33uH,5%,2434	1	SA		R1SF11	2001-000546	R-CARBON;270KOHM,5%,1/4W,AA,TP,2.4X	1	SA	
L806	2701-000181	INDUCTOR-AXIAL;33uH,5%,2434	1	SA		R1SF12	2001-000546	R-CARBON;270KOHM,5%,1/4W,AA,TP,2.4X	1	SA	
L807	2701-000181	INDUCTOR-AXIAL;33uH,5%,2434	1	SA		R1SF13	2001-000546	R-CARBON;270KOHM,5%,1/4W,AA,TP,2.4X	1	SA	
L808	2701-000181	INDUCTOR-AXIAL;33uH,5%,2434	1	SA		R1SF14	2001-000527	R-CARBON;220HM,5%,1/8W,AA,TP,1.8X3.	1	SA	
L809	2701-000181	INDUCTOR-AXIAL;33uH,5%,2434	1	SA		R1SF15	2003-000119	R-METAL OXIDE;0.68ohm,5%,2W,AE,TP,6	1	SC	
L810	2701-000181	INDUCTOR-AXIAL;33uH,5%,2434	1	SA		R1SS01	1404-001361	THERMISTOR-NTC;3ohm,4A,-,35mW/C,0uF	1	SA	
L811	2701-000181	INDUCTOR-AXIAL;33uH,5%,2434	1	SA		R1SS12	2003-000994	R-METAL OXIDE(S);33Kohm,5%,2W,AF,TP	1	SA	
L812	2701-000181	INDUCTOR-AXIAL;33uH,5%,2434	1	SA		R1SS31	2001-000780	R-CARBON;470OHM,5%,1/8W,AA,TP,1.8X3	1	SA	
L814	AC27-92001M	COIL-INDUCTOR;RH3.5X6.5RS,BEAD(RADI	1	SC		R1SS32	2001-000429	R-CARBON;1KOHM,5%,1/8W,AA,TP,1.8X3.	1	SA	
L890	2701-000002	INDUCTOR-AXIAL;100UH,10%,4298	1	SA		R1SS33	2001-000429	R-CARBON;1KOHM,5%,1/8W,AA,TP,1.8X3.	1	SA	
P021V	AK61-00308A	CONNECTOR-BOARD VCR;SV-DVD440,HIPS	1	SA		R1SS34	2004-000869	R-METAL;3Kohm,1%,1/8W,AA,TP,1.8x3.2	1	SA	
PT1S01	AK26-00026A	TRANS SWITCHING;EER3127,-,FREE,-,	1	SA		R1SS35	2004-000459	R-METAL;2.2Kohm,1%,1/8W,AA,TP,1.8x3	1	SA	
PT601	0604-001141	PHOTO-INTERRUPTER;-;0mW,SNAP,TP	1	SA		R315	2007-000122	R-CHIP;1.2Kohm,5%,1/10W,TP,1608	1	SA	
PT602	0604-001141	PHOTO-INTERRUPTER;-;0mW,SNAP,TP	1	SA		R316	2007-001179	R-CHIP;8.2Kohm,5%,1/10W,TP,1608	1	SA	
Q1P101	0501-000362	TR-SMALL SIGNAL;KSC2328A-Y,NPN,1000	1	SA		R320	2007-000458	R-CHIP;18Kohm,5%,1/10W,TP,1608	1	SA	
Q1P102	0504-000142	TR-DIGITAL;FJN4301R,PNP,300MW,4.7K/	1	SA		R321	2007-000090	R-CHIP;10Kohm,5%,1/10W,TP,1608	1	SA	
Q1P103	0501-000398	TR-SMALL SIGNAL;KSC945-Y,NPN,250mW,	1	SA		R322	2007-000458	R-CHIP;18Kohm,5%,1/10W,TP,1608	1	SA	
Q1P104	0501-000362	TR-SMALL SIGNAL;KSC2328A-Y,NPN,1000	1	SA		R323	2007-000125	R-CHIP;3.9Kohm,5%,1/10W,TP,1608	1	SA	
Q1P105	0501-000362	TR-SMALL SIGNAL;KSC2328A-Y,NPN,1000	1	SA		R325	2001-000281	R-CARBON;100OHM,5%,1/8W,AA,TP,1.8X3	1	SA	
Q1P106	0501-000362	TR-SMALL SIGNAL;KSC2328A-Y,NPN,1000	1	SA		R326	2001-000281	R-CARBON;100OHM,5%,1/8W,AA,TP,1.8X3	1	SA	
Q1P107	0501-000362	TR-SMALL SIGNAL;KSC2328A-Y,NPN,1000	1	SA		R327	2007-000084	R-CHIP;4.7Kohm,5%,1/10W,TP,1608	1	SA	
Q1P108	0504-000142	TR-DIGITAL;FJN4301R,PNP,300MW,4.7K/	1	SA		R328	2007-000122	R-CHIP;1.2Kohm,5%,1/10W,TP,1608	1	SA	
Q1P109	0501-000398	TR-SMALL SIGNAL;KSC945-Y,NPN,250mW,	1	SA		R329	2007-000081	R-CHIP;2.7Kohm,5%,1/10W,TP,1608	1	SA	

Exploded Views and Parts List

Loc.No	Parts No.	Description : Specification	Q'ty	S.N.A	Remark	Loc.No	Parts No.	Description : Specification	Q'ty	S.N.A	Remark
R330	2007-000087	R-CHIP:6.8Kohm,5%,1/10W,TP,1608	1	SA		R519	2007-001056	R-CHIP:6.2Kohm,5%,1/10W,TP,1608	1	SA	
R331	2007-000079	R-CHIP:1.8Kohm,5%,1/10W,TP,1608	1	SA		R520	2001-000766	R-CARBON:43KOHM,5%,1/8W,AA,TP,1.8X3	1	SA	
R333	2007-001039	R-CHIP:56Kohm,5%,1/8W,TP,2012	1	SA		R521	2007-000087	R-CHIP:6.8Kohm,5%,1/10W,TP,1608	1	SA	
						R522	2007-001071	R-CHIP:6.8Kohm,5%,1/8W,TP,2012	1	SA	
R334	2007-000123	R-CHIP:1.5Kohm,5%,1/10W,TP,1608	1	SA		R533	2007-000003	R-CHIP:43Kohm,5%,1/8W,TP,2012	1	SA	
R335	2001-000281	R-CARBON:100OHM,5%,1/8W,AA,TP,1.8X3	1	SA		R540	2001-000766	R-CARBON:43KOHM,5%,1/8W,AA,TP,1.8X3	1	SA	
R360	2007-001196	R-CHIP:820Kohm,5%,1/10W,TP,1608	1	SA		R545	2007-000512	R-CHIP:2.4Kohm,5%,1/10W,TP,1608	1	SA	
R371	2007-000119	R-CHIP:560ohm,5%,1/10W,TP,1608	1	SA		R546	2007-000078	R-CHIP:1Kohm,5%,1/10W,TP,1608	1	SA	
R372	2007-000078	R-CHIP:1Kohm,5%,1/10W,TP,1608	1	SA		R547	2007-000078	R-CHIP:1Kohm,5%,1/10W,TP,1608	1	SA	
R373	2007-000129	R-CHIP:27Kohm,5%,1/10W,TP,1608	1	SA		R550	2001-000766	R-CARBON:43KOHM,5%,1/8W,AA,TP,1.8X3	1	SA	
R380	2007-000124	R-CHIP:2.2Kohm,5%,1/10W,TP,1608	1	SA		R551	2007-000093	R-CHIP:20Kohm,5%,1/10W,TP,1608	1	SA	
R3A01	2007-000090	R-CHIP:10Kohm,5%,1/10W,TP,1608	1	SA		R552	2007-000913	R-CHIP:43Kohm,5%,1/10W,TP,1608	1	SA	
R3A04	2001-000221	R-CARBON:1.2KOHM,5%,1/8W,AA,TP,1.8X	1	SA		R553	2007-000093	R-CHIP:20Kohm,5%,1/10W,TP,1608	1	SA	
R3A05	2007-000616	R-CHIP:24Kohm,5%,1/10W,TP,1608	1	SA		R570	2007-000078	R-CHIP:1Kohm,5%,1/10W,TP,1608	1	SA	
R3A06	2007-000539	R-CHIP:200ohm,5%,1/10W,TP,1608	1	SA		R571	2007-000098	R-CHIP:56Kohm,5%,1/10W,TP,1608	1	SA	
R3A07	2007-000133	R-CHIP:330Kohm,5%,1/10W,TP,1608	1	SA		R608	2001-000864	R-CARBON:56KOHM,5%,1/8W,AA,TP,1.8X3	1	SA	
R3A08	2007-000091	R-CHIP:12Kohm,5%,1/10W,TP,1608	1	SA		R609	2001-000864	R-CARBON:56KOHM,5%,1/8W,AA,TP,1.8X3	1	SA	
R3A09	2007-000070	R-CHIP:0ohm,5%,1/10W,TP,1608	1	SA		R610	2001-000281	R-CARBON:100OHM,5%,1/8W,AA,TP,1.8X3	1	SA	
R3A11	2007-000124	R-CHIP:2.2Kohm,5%,1/10W,TP,1608	1	SA		R611	2001-000281	R-CARBON:100OHM,5%,1/8W,AA,TP,1.8X3	1	SA	
R3A12	2007-000074	R-CHIP:100ohm,5%,1/10W,TP,1608	1	SA		R614	2001-000429	R-CARBON:1KOHM,5%,1/8W,AA,TP,1.8X3	1	SA	
R3A13	2007-000100	R-CHIP:68Kohm,5%,1/10W,TP,1608	1	SA		R615	2001-000429	R-CARBON:1KOHM,5%,1/8W,AA,TP,1.8X3	1	SA	
R3A14	2007-000094	R-CHIP:22Kohm,5%,1/10W,TP,1608	1	SA		R617	2001-000864	R-CARBON:56KOHM,5%,1/8W,AA,TP,1.8X3	1	SA	
R3A16	2007-000090	R-CHIP:10Kohm,5%,1/10W,TP,1608	1	SA		R620	2007-000090	R-CHIP:10Kohm,5%,1/10W,TP,1608	1	SA	
R3A17	2007-000124	R-CHIP:2.2Kohm,5%,1/10W,TP,1608	1	SA		R622	2007-000090	R-CHIP:10Kohm,5%,1/10W,TP,1608	1	SA	
R3A18	2007-000124	R-CHIP:2.2Kohm,5%,1/10W,TP,1608	1	SA		R630	2007-000090	R-CHIP:10Kohm,5%,1/10W,TP,1608	1	SA	
R3A23	2007-001179	R-CHIP:8.2Kohm,5%,1/10W,TP,1608	1	SA		R631	2007-000078	R-CHIP:1Kohm,5%,1/10W,TP,1608	1	SA	
R3A24	2007-000094	R-CHIP:22Kohm,5%,1/10W,TP,1608	1	SA		R632	2001-000429	R-CARBON:1KOHM,5%,1/8W,AA,TP,1.8X3	1	SA	
R3A25	2001-000221	R-CARBON:1.2KOHM,5%,1/8W,AA,TP,1.8X	1	SA		R633	2001-000429	R-CARBON:1KOHM,5%,1/8W,AA,TP,1.8X3	1	SA	
R3A26	2007-000090	R-CHIP:10Kohm,5%,1/10W,TP,1608	1	SA		R634	2007-000084	R-CHIP:4.7Kohm,5%,1/10W,TP,1608	1	SA	
R3A28	2007-000124	R-CHIP:2.2Kohm,5%,1/10W,TP,1608	1	SA		R635	2007-000084	R-CHIP:4.7Kohm,5%,1/10W,TP,1608	1	SA	
R3A50	2001-000800	R-CARBON:5.1KOHM,5%,1/8W,AA,TP,1.8X	1	SA		R636	2001-000281	R-CARBON:100OHM,5%,1/8W,AA,TP,1.8X3	1	SA	
R3A60	2007-000704	R-CHIP:3.6Kohm,5%,1/10W,TP,1608	1	SA		R637	2007-000096	R-CHIP:30Kohm,5%,1/10W,TP,1608	1	SA	
R3A70	2007-000084	R-CHIP:4.7Kohm,5%,1/10W,TP,1608	1	SA		R640	2007-000090	R-CHIP:10Kohm,5%,1/10W,TP,1608	1	SA	
R401	2001-000786	R-CARBON:47KOHM,5%,1/8W,AA,TP,1.8X3	1	SA		R641	2001-000780	R-CARBON:470OHM,5%,1/8W,AA,TP,1.8X3	1	SA	
R402	2001-000290	R-CARBON:10KOHM,5%,1/8W,AA,TP,1.8X3	1	SA		R642	2001-000780	R-CARBON:470OHM,5%,1/8W,AA,TP,1.8X3	1	SA	
R403	2001-000281	R-CARBON:100OHM,5%,1/8W,AA,TP,1.8X3	1	SA		R644	2007-000078	R-CHIP:1Kohm,5%,1/10W,TP,1608	1	SA	
R404	2001-000281	R-CARBON:100OHM,5%,1/8W,AA,TP,1.8X3	1	SA		R647	2001-000429	R-CARBON:1KOHM,5%,1/8W,AA,TP,1.8X3	1	SA	
R406	2007-001010	R-CHIP:51Kohm,5%,1/10W,TP,1608	1	SA		R651	2001-000010	R-CARBON:68KOHM,5%,1/8W,AA,TP,1.8X3	1	SA	
R408	2007-000122	R-CHIP:1.2Kohm,5%,1/10W,TP,1608	1	SA		R657	2007-000070	R-CHIP:0ohm,5%,1/10W,TP,1608	1	SA	
R440	2001-000362	R-CARBON:150OHM,5%,1/8W,AA,TP,1.8X3	1	SA		R660	2001-000786	R-CARBON:47KOHM,5%,1/8W,AA,TP,1.8X3	1	SA	
R441	2007-000116	R-CHIP:120ohm,5%,1/10W,TP,1608	1	SA		R661	2001-000660	R-CARBON:33KOHM,5%,1/8W,AA,TP,1.8X3	1	SA	
R4N01	2007-000078	R-CHIP:1Kohm,5%,1/10W,TP,1608	1	SA		R666	2007-000084	R-CHIP:4.7Kohm,5%,1/10W,TP,1608	1	SA	
R4N02	2001-000281	R-CARBON:100OHM,5%,1/8W,AA,TP,1.8X3	1	SA		R667	2007-000084	R-CHIP:4.7Kohm,5%,1/10W,TP,1608	1	SA	
R4N03	2001-000281	R-CARBON:100OHM,5%,1/8W,AA,TP,1.8X3	1	SA		R668	2001-000780	R-CARBON:470OHM,5%,1/8W,AA,TP,1.8X3	1	SA	
R4N04	2001-000563	R-CARBON:27KOHM,5%,1/8W,AA,TP,1.8X3	1	SA		R669	2001-000780	R-CARBON:470OHM,5%,1/8W,AA,TP,1.8X3	1	SA	
R4N05	2007-000074	R-CHIP:100ohm,5%,1/10W,TP,1608	1	SA		R670	2007-000084	R-CHIP:4.7Kohm,5%,1/10W,TP,1608	1	SA	
R4N06	2007-000074	R-CHIP:100ohm,5%,1/10W,TP,1608	1	SA		R671	2001-000734	R-CARBON:4.7KOHM,5%,1/8W,AA,TP,1.8X	1	SA	
R501	2001-000766	R-CARBON:43KOHM,5%,1/8W,AA,TP,1.8X3	1	SA		R672	2001-000734	R-CARBON:4.7KOHM,5%,1/8W,AA,TP,1.8X	1	SA	
R502	2007-001056	R-CHIP:6.2Kohm,5%,1/10W,TP,1608	1	SA		R673	2001-000429	R-CARBON:1KOHM,5%,1/8W,AA,TP,1.8X3	1	SA	
R503	2001-000780	R-CARBON:470OHM,5%,1/8W,AA,TP,1.8X3	1	SA		R674	2007-000090	R-CHIP:10Kohm,5%,1/10W,TP,1608	1	SA	
R505	2001-000766	R-CARBON:43KOHM,5%,1/8W,AA,TP,1.8X3	1	SA		R678	2007-000094	R-CHIP:22Kohm,5%,1/10W,TP,1608	1	SA	
R506	2007-001056	R-CHIP:6.2Kohm,5%,1/10W,TP,1608	1	SA		R679	2007-000572	R-CHIP:220ohm,5%,1/8W,TP,2012	1	SA	
R507	2001-000766	R-CARBON:43KOHM,5%,1/8W,AA,TP,1.8X3	1	SA		R682	2007-000094	R-CHIP:22Kohm,5%,1/10W,TP,1608	1	SA	
R508	2007-001056	R-CHIP:6.2Kohm,5%,1/10W,TP,1608	1	SA		R685	2001-000812	R-CARBON:5.6KOHM,5%,1/8W,AA,TP,1.8X	1	SA	
R509	2007-001179	R-CHIP:8.2Kohm,5%,1/10W,TP,1608	1	SA		R688	2007-000129	R-CHIP:27Kohm,5%,1/10W,TP,1608	1	SA	
R510	2007-000913	R-CHIP:43Kohm,5%,1/10W,TP,1608	1	SA		R691	2007-000572	R-CHIP:220ohm,5%,1/8W,TP,2012	1	SA	
R511	2007-000090	R-CHIP:10Kohm,5%,1/10W,TP,1608	1	SA		R693	2007-000097	R-CHIP:47Kohm,5%,1/10W,TP,1608	1	SA	
R512	2001-000660	R-CARBON:33KOHM,5%,1/8W,AA,TP,1.8X3	1	SA		R694	2007-000097	R-CHIP:47Kohm,5%,1/10W,TP,1608	1	SA	
R517	2007-001179	R-CHIP:8.2Kohm,5%,1/10W,TP,1608	1	SA		R698	2001-000290	R-CARBON:10KOHM,5%,1/8W,AA,TP,1.8X3	1	SA	
R518	2007-000913	R-CHIP:43Kohm,5%,1/10W,TP,1608	1	SA							

Loc.No	Parts No.	Description : Specification	Q'ty	S.N.A	Remark	Loc.No	Parts No.	Description : Specification	Q'ty	S.N.A	Remark
R6P01	2001-000281	R-CARBON;100OHM,5%,1/8W,AA,TP,1.8X3	1	SA		R894B	2007-000129	R-CHIP;27Kohm,5%,1/10W,TP,1608	1	SA	
R6P02	2001-000281	R-CARBON;100OHM,5%,1/8W,AA,TP,1.8X3	1	SA		RM701	AC32-00006A	MODULE REMOCON;TSP02238WE1.38KHZ,-	1	SA	
R6P03	2007-000081	R-CHIP;2.7Kohm,5%,1/10W,TP,1608	1	SA		RSS11	2003-000994	R-METAL OXIDE(S);33Kohm,5%,2W,AF,TP	1	SA	
R6P04	2007-000090	R-CHIP;10Kohm,5%,1/10W,TP,1608	1	SA		SW601	AC34-00005A	SWITCH MODE;SSS-55MD,-,-,-,DC5V,-,-	1	SA	
R6P05	2007-000090	R-CHIP;10Kohm,5%,1/10W,TP,1608	1	SA		SW602	AC34-00006B	SWITCH-REC;LSA-1135-9.push,-,16,16,	1	SA	
R6P06	2007-000086	R-CHIP;5.6Kohm,5%,1/10W,TP,1608	1	SA		SW604	3409-001165	SWITCH-DETECTOR;5V,1mA,-,50gf,ON-OFF	1	SA	
R6P07	2007-000075	R-CHIP;220ohm,5%,1/10W,TP,1608	1	SA		SW701	3404-001182	SWITCH-TACT;DC12V.50MA,100GF,6.0X6.	1	SA	
R6P08	2001-000005	R-CARBON;390ohm,5%,1/8W,AA,TP,1.8x3	1	SA		SW702	3404-001182	SWITCH-TACT;DC12V.50MA,100GF,6.0X6.	1	SA	
R6P09	2007-000070	R-CHIP;0ohm,5%,1/10W,TP,1608	1	SA		SW703	3404-001182	SWITCH-TACT;DC12V.50MA,100GF,6.0X6.	1	SA	
R6P10	2001-000515	R-CARBON;220OHM,5%,1/8W,AA,TP,1.8X3	1	SA		SW704	3404-001182	SWITCH-TACT;DC12V.50MA,100GF,6.0X6.	1	SA	
R6P12	2001-000734	R-CARBON;4.7KOHM,5%,1/8W,AA,TP,1.8X	1	SA		SW705	3404-001182	SWITCH-TACT;DC12V.50MA,100GF,6.0X6.	1	SA	
R6P13	2007-000097	R-CHIP;47Kohm,5%,1/10W,TP,1608	1	SA		SW706	3404-001182	SWITCH-TACT;DC12V.50MA,100GF,6.0X6.	1	SA	
R6P14	2007-000123	R-CHIP;1.5Kohm,5%,1/10W,TP,1608	1	SA		SW707	3404-001182	SWITCH-TACT;DC12V.50MA,100GF,6.0X6.	1	SA	
R701	2007-000078	R-CHIP;1Kohm,5%,1/10W,TP,1608	1	SA		SW708	3404-001182	SWITCH-TACT;DC12V.50MA,100GF,6.0X6.	1	SA	
R702	2007-000078	R-CHIP;1Kohm,5%,1/10W,TP,1608	1	SA		SW709	3404-001182	SWITCH-TACT;DC12V.50MA,100GF,6.0X6.	1	SA	
R703	2007-000078	R-CHIP;1Kohm,5%,1/10W,TP,1608	1	SA		SW710	3404-001182	SWITCH-TACT;DC12V.50MA,100GF,6.0X6.	1	SA	
R704	2001-000837	R-CARBON;51KOHM,5%,1/8W,AA,TP,1.8X3	1	SA		TM401	AC40-00039A	TM BLOCK-PAL G I K;TCMK0601PD20AA,P	1	SA	
R711	2007-000090	R-CHIP;10Kohm,5%,1/10W,TP,1608	1	SA		VA1SS1	1405-000186	VARIATOR;470V,2500A,17.5x7.5mm,TP	1	SA	
R801	2007-000123	R-CHIP;1.5Kohm,5%,1/10W,TP,1608	1	SA		VA1SS2	1405-001026	VARIATOR;470V,600A,9x7mm,TP	1	SA	
R801A	2007-000113	R-CHIP;33ohm,5%,1/10W,TP,1608	1	SA		W177	2001-000429	R-CARBON;1KOHM,5%,1/8W,AA,TP,1.8X3.	1	SA	
R802	2007-000079	R-CHIP;1.8Kohm,5%,1/10W,TP,1608	1	SA		W178	2001-000429	R-CARBON;1KOHM,5%,1/8W,AA,TP,1.8X3.	1	SA	
R803	2007-000079	R-CHIP;1.8Kohm,5%,1/10W,TP,1608	1	SA		W205	2001-000281	R-CARBON;100OHM,5%,1/8W,AA,TP,1.8X3	1	SA	
R805	2007-000643	R-CHIP;270ohm,5%,1/10W,TP,1608	1	SA		W206	2001-000281	R-CARBON;100OHM,5%,1/8W,AA,TP,1.8X3	1	SA	
R806	2007-000643	R-CHIP;270ohm,5%,1/10W,TP,1608	1	SA		W280	3301-000297	BEAD-AXIAL;25ohm,3.6x1.2x5.7mm,-,TP	1	SA	
R807	2007-001167	R-CHIP;75ohm,5%,1/10W,TP,1608	1	SA		W404	2001-000780	R-CARBON;470OHM,5%,1/8W,AA,TP,1.8X3	1	SA	
R808	2007-001167	R-CHIP;75ohm,5%,1/10W,TP,1608	1	SA		W668	2007-000070	R-CHIP;0ohm,5%,1/10W,TP,1608	1	SA	
R809	2007-001167	R-CHIP;75ohm,5%,1/10W,TP,1608	1	SA		W731	3301-000297	BEAD-AXIAL;25ohm,3.6x1.2x5.7mm,-,TP	1	SA	
R810	2007-000078	R-CHIP;1Kohm,5%,1/10W,TP,1608	1	SA		W748	2001-000281	R-CARBON;100OHM,5%,1/8W,AA,TP,1.8X3	1	SA	
R811	2007-000078	R-CHIP;1Kohm,5%,1/10W,TP,1608	1	SA		XT301	2801-001397	CRYSTAL-UNIT;4.433619MHz,20ppm,28-A	1	SA	
R813	2007-000643	R-CHIP;270ohm,5%,1/10W,TP,1608	1	SA		XT4N01	2801-004096	CRYSTAL-UNIT;18.432MHz,20ppm,28-AAA	1	SA	
R814	2007-000643	R-CHIP;270ohm,5%,1/10W,TP,1608	1	SA		XT602	2801-003139	CRYSTAL-UNIT;8MHz,50ppm,28-AAA,22pF	1	SA	
R815	2007-000643	R-CHIP;270ohm,5%,1/10W,TP,1608	1	SA		ZD1P02	0403-001211	DIODE-ZENER;MTZJ12B,11.8-12.3V,500m	1	SA	
R816	2007-000643	R-CHIP;270ohm,5%,1/10W,TP,1608	1	SA		ZD1P03	0403-000720	DIODE-ZENER;MTZJ9.1B,8.57-9.01V,500	1	SC	
R819	2007-000078	R-CHIP;1Kohm,5%,1/10W,TP,1608	1	SA		ZD1P04	0403-000717	DIODE-ZENER;MTZJ5.1B,4.94-5.2V,500m	1	SC	
R820	2007-000078	R-CHIP;1Kohm,5%,1/10W,TP,1608	1	SA		ZD1P05	0403-001211	DIODE-ZENER;MTZJ12B,11.8-12.3V,500m	1	SA	
R821	2007-000134	R-CHIP;33Kohm,5%,1/10W,TP,1608	1	SA		ZD1P06	0403-000717	DIODE-ZENER;MTZJ5.1B,4.94-5.2V,500m	1	SC	
R822	2007-000094	R-CHIP;22Kohm,5%,1/10W,TP,1608	1	SA		ZD1SF1	0403-001318	DIODE-ZENER;MTZJ4.3B,4.17-4.43V,500	1	SA	
R822B	2007-001167	R-CHIP;75ohm,5%,1/10W,TP,1608	1	SA		ZD1SS2	0403-000713	DIODE-ZENER;MTZJ20B,18.63-17.7V,500	1	SA	
R825	2007-000084	R-CHIP;4.7Kohm,5%,1/10W,TP,1608	1	SA		ZD401	0403-000390	DIODE-ZENER;UZP33B,1N4752A,31.4-34.	1	SA	
R827	2007-000101	R-CHIP;82Kohm,5%,1/10W,TP,1608	1	SA		ZD801	0403-000297	DIODE-ZENER;MTZ6.2B,5.96-6.27V,500m	1	SC	
R828	2007-000101	R-CHIP;82Kohm,5%,1/10W,TP,1608	1	SA		ZD802	0406-001172	DIODE-TVS;CDS3C30GTH,48/-50V,SMD	1	SA	
R829	2007-000101	R-CHIP;82Kohm,5%,1/10W,TP,1608	1	SA		ZD803	0406-001172	DIODE-TVS;CDS3C30GTH,48/-50V,SMD	1	SA	
R830	2007-000101	R-CHIP;82Kohm,5%,1/10W,TP,1608	1	SA		ZD804	0406-001172	DIODE-TVS;CDS3C30GTH,48/-50V,SMD	1	SA	
R835	2007-000101	R-CHIP;82Kohm,5%,1/10W,TP,1608	1	SA		ZD805	0403-001211	DIODE-ZENER;MTZJ12B,11.8-12.3V,500m	1	SA	
R836	2007-000101	R-CHIP;82Kohm,5%,1/10W,TP,1608	1	SA		ZD806	0406-001172	DIODE-TVS;CDS3C30GTH,48/-50V,SMD	1	SA	
R839	2007-000074	R-CHIP;100ohm,5%,1/10W,TP,1608	1	SA		ZD807	0406-001172	DIODE-TVS;CDS3C30GTH,48/-50V,SMD	1	SA	
R841	2007-000119	R-CHIP;560ohm,5%,1/10W,TP,1608	1	SA		ZD808	0406-001172	DIODE-TVS;CDS3C30GTH,48/-50V,SMD	1	SA	
R842	2007-000119	R-CHIP;560ohm,5%,1/10W,TP,1608	1	SA		ZD809	0406-001172	DIODE-TVS;CDS3C30GTH,48/-50V,SMD	1	SA	
R843	2007-000119	R-CHIP;560ohm,5%,1/10W,TP,1608	1	SA		ZD810	0403-001083	DIODE-ZENER;UDZ9.1B,8.85-9.23V,200M	1	SA	
R844	2007-001167	R-CHIP;75ohm,5%,1/10W,TP,1608	1	SA		ZD811	0403-000720	DIODE-ZENER;MTZJ9.1B,8.57-9.01V,500	1	SC	
R851	2007-000097	R-CHIP;47Kohm,5%,1/10W,TP,1608	1	SA		ZD812	0406-001172	DIODE-TVS;CDS3C30GTH,48/-50V,SMD	1	SA	
R852	2007-000097	R-CHIP;47Kohm,5%,1/10W,TP,1608	1	SA		ZD813	0406-001172	DIODE-TVS;CDS3C30GTH,48/-50V,SMD	1	SA	
R890	2007-000090	R-CHIP;10Kohm,5%,1/10W,TP,1608	1	SA		ZD814	0406-001172	DIODE-TVS;CDS3C30GTH,48/-50V,SMD	1	SA	
R891A	2007-000090	R-CHIP;10Kohm,5%,1/10W,TP,1608	1	SA		ZD851	0403-000720	DIODE-ZENER;MTZJ9.1B,8.57-9.01V,500	1	SC	
R891B	2007-000090	R-CHIP;10Kohm,5%,1/10W,TP,1608	1	SA		ZD852	0403-000720	DIODE-ZENER;MTZJ9.1B,8.57-9.01V,500	1	SC	
R892A	2007-001179	R-CHIP;8.2Kohm,5%,1/10W,TP,1608	1	SA		ZD853	0403-001083	DIODE-ZENER;UDZ9.1B,8.85-9.23V,200M	1	SA	
R892B	2007-001179	R-CHIP;8.2Kohm,5%,1/10W,TP,1608	1	SA		ZD854	0403-001083	DIODE-ZENER;UDZ9.1B,8.85-9.23V,200M	1	SA	
R893A	2007-000122	R-CHIP;1.2Kohm,5%,1/10W,TP,1608	1	SA		ZD863	0403-001083	DIODE-ZENER;UDZ9.1B,8.85-9.23V,200M	1	SA	
R893B	2007-000122	R-CHIP;1.2Kohm,5%,1/10W,TP,1608	1	SA		ZD864	0403-000720	DIODE-ZENER;MTZJ9.1B,8.57-9.01V,500	1	SC	
R894A	2007-000129	R-CHIP;27Kohm,5%,1/10W,TP,1608	1	SA							

Exploded Views and Parts List

Loc.No	Parts No.	Description : Specification	Q'ty	S.N.A	Remark	Loc.No	Parts No.	Description : Specification	Q'ty	S.N.A	Remark
P0055	AK92-01589A	ASSY PCB-SUB FUNCTION:DVD-V6800/KEF	1	SA		S.N.A	AC66-00015A	LEVER-PINCH SUB:TS-10,SECC E20/20,0	1	SNA	
BD701	3301-001419	BEAD-SMD;220ohm,1608,TP,133ohm/70MH	1	SA		S.N.A	AC66-00110A	LEVER-PINCH MAIN;X-13,SECC,T1.2,W25	1	SNA	
BD702	3301-001419	BEAD-SMD;220ohm,1608,TP,133ohm/70MH	1	SA		S.N.A	AC66-00128A	ROLLER-PINCH;Rubber;14,18,NAT,-,P	1	SNA	
BD703	2007-000074	R-CHIP;100ohm,5%,1/10W,TP,1608	1	SA		S.N.A	AC97-02621A	ASSY-GUIDE BLOCK;-X-13A,-	1	SNA	
BD707	3301-000297	BEAD-AXIAL;25ohm,3.6x1.2x5.7mm,-,TP	1	SA		S.N.A	AC61-00385A	BASE-TAKE UP SLIDER;X-13,PPS(Ryton)	1	SNA	
C712	2203-000491	C-CER,CHIP;2.2nF,10%,50V,X7R,1608	1	SA		S.N.A	AC61-00405A	POST-SLANT GUIDE;X-13,SUS303,PI 3.0	1	SNA	
C714	2203-000491	C-CER,CHIP;2.2nF,10%,50V,X7R,1608	1	SA		S.N.A	AC66-40154A	ROLLER-TAKE UP ASSY;-VW-32,OD7,-,X	1	SNA	
CN701	3710-001626	SOCKET-BOARD TO BOARD;8P,1R,2mm,ANG	1	SA		S.N.A	AC61-00383A	BASE-SUPPLY SLIDER;X-13,PPS(Ryton R	1	SNA	
JK701	3722-001811	JACK-PIN;3P,8.3PI,NL,BLK,-	1	SA		S.N.A	AC61-00405A	POST-SLANT GUIDE;X-13,SUS303,PI 3.0	1	SNA	
R712	2007-001167	R-CHIP;75ohm,5%,1/10W,TP,1608	1	SA		S.N.A	AC66-40154A	ROLLER-TAKE UP ASSY;-VW-32,OD7,-,X	1	SNA	
SW712	3404-001182	SWITCH-TACT;DC12V,50MA,100GF,6.0X6.	1	SA		S.N.A	AC97-02618A	ASSY-DECK ONLY;-DX13A,L/Speed	1	SNA	
SW716	3404-001182	SWITCH-TACT;DC12V,50MA,100GF,6.0X6.	1	SA		S.N.A	3708-001634	CONNECTOR-FPC/FPC/PC;3P,1.25MM,ANG	1	SNA	
ZD71	0406-001172	DIODE-TVS;CDS3C30GTH,48I-/50V,SMD	1	SA		S.N.A	AC31-12016F	MOTOR-LOADING;MDHB2B6,SCORPIO2(TS-	1	SNA	
ZD72	0406-001172	DIODE-TVS;CDS3C30GTH,48I-/50V,SMD	1	SA		S.N.A	AC41-00238A	PCB-LOADING MOTOR;SCORPIO2(TS-10A),	1	SNA	
ZD73	0406-001172	DIODE-TVS;CDS3C30GTH,48I-/50V,SMD	1	SA		S.N.A	AC66-00010A	GEAR WORM;TS-10,POM,0.8,1,-,NAT,7.1	1	SNA	
H004	AC97-02619A	ASSY-FULL DECK;LO-SK,CMT-L/Speed,6S	1	SNA		S.N.A	AC97-02586A	ASSY-MB BLOCK;-X-13,-	1	SNA	
C372	AC60-30306A	FASTENER-WASHER SLIT;-,-,ID2.1,OD5.	1	SA		S.N.A	AC97-02555A	ASSY-BASE MAIN;-X-13,-	1	SNA	
H006	AC97-02616A	ASSY-DECK;-DX13A,L/SPEED	1	SNA		S.N.A	AC61-00342A	POST-LOADING;X-11,SWCH18A,OD3.0,L9.	6	SNA	
M040	AC69-00094A	BAND PP;OTHER-WOOL 100%,-,-,98.3,-,	1	SNA		S.N.A	AC61-00380A	BASE-MAIN;X-13,SECC,T1.2,-,-,NTR,-	1	SNA	
S.N.A	AC97-02610A	ASSY-DECK COMMON;-DX13A,-	1	SNA		S.N.A	AC61-00402A	POST-REEL;X-13,SWCH18A,3,-,-,Non-el	1	SNA	
S.N.A	AC97-02580A	ASSY-TENSION BLOCK;-X-13,-	1	SNA		S.N.A	AC61-00403A	POST-CENTER;X-13,SWCH18A,-,-,-,Non-	1	SNA	
S.N.A	AC61-00384A	HOLDER-BAND BRAKE;X-13,POM,-,-,-,NA	1	SNA		S.N.A	AC61-50672A	POST-PINCH LEVER;X-9,SWCH18A,-,L24,	1	SNA	
S.N.A	AC61-00398A	POST-TENSION GUIDE;X-13,SUS303C,2.2	1	SNA		S.N.A	AC61-50677A	POST-FL CAM GEAR;X-9,SWCH18A,-,L14,	1	SNA	
S.N.A	AC61-00399A	POST-TENSION LEVER;X-13,SUS303,2.5,	1	SNA		S.N.A	AC61-00387A	SLEEVE-8 GUIDE;X-13,-,-,-,-,-,BLK	1	SNA	
S.N.A	AC66-00093A	LEVER-TENSION;X-13,SECC,T0.8,-,-,-,	1	SNA		S.N.A	AC61-00401A	POST-#8 GUIDE;X-13,SUS XM-7,2.5,-,-	1	SNA	
S.N.A	AC97-02581A	ASSY-REEL BLOCK;-X-13,-	1	SNA		S.N.A	AC97-02608A	ASSY-CAPSTAN BLOCK;-X-13,Phenol/PC	1	SNA	
S.N.A	AC66-00112A	GEAR-CENTER 1;X-13,POM,0.5,25,12.5,	1	SNA		S.N.A	AC97-02613A	ASSY-ACE HEAD BLOCK;-X-13A,AE Less	1	SNA	
S.N.A	AC66-00113A	GEAR-CENTER 2;X-13,POM,0.5,46,23,NA	1	SNA		S.N.A	3708-001676	CONNECTOR-FPC/FPC/PC;6P,1.25MM,ANG	1	SA	
S.N.A	AC61-00395A	HOLDER-CLUTCH;X-13,POM(SW-01)-,W15	1	SNA		S.N.A	AC41-00130A	PCB-ACE HEAD;TS-10,-,-,-,-,-,-,-,-	1	SNA	
S.N.A	AC61-62030A	SPRING ETC-WRAP PLAY;X-9,SUS 304-WP	1	SNA		S.N.A	AC61-00382A	BASE-ACE MAIN;X-13,SECC,T1.2,-,-,-,NT	1	SNA	
S.N.A	AC61-62031A	SPRING ETC-WRAP REV.;X-9,SUS 304-WP	1	SNA		S.N.A	AC61-00406A	SPRING ETC-ACE;X-13,SWPB,1,-,-,7.2,-,	1	SNA	
S.N.A	AC66-00109A	PULLEY-CLUTCH;X-13,POM,-,NAT,2.5,-,	1	SNA		S.N.A	AC33-00019A	HEAD-A/C;HVMXB1016A,-,X13A,-,-	1	SNA	
S.N.A	AC97-02582A	ASSY-BRAKE BLOCK;-X-13,-	1	SNA		S.N.A	AC97-02623A	ASSY-FL BLOCK;-X-13A,-	1	SNA	
S.N.A	AC60-40645A	FASTENER-PIN BRAKE;-,-,1.5L=12,-,S	1	SNA		S.N.A	AC61-00108A	SPRING ETC-FL ARM R;TS-10,SUS304-WP	1	SNA	
S.N.A	AC66-00117A	LEVER BRAKE-S;X-13,POM,T10,W20,L40,	1	SNA		S.N.A	AC66-00106A	LEVER-ARM R;X-13,POM,-,W35,L70,-,NA	1	SNA	
S.N.A	AC60-40645A	FASTENER-PIN BRAKE;-,-,1.5L=12,-,S	1	SNA		S.N.A	AC66-00107A	LEVER-ARM L;X-13,POM,-,W35,L70,-,NA	1	SNA	
S.N.A	AC61-60563A	SPRING ETC-T.BRAKE;X-9,SUS304-WPB,3	1	SNA		S.N.A	AC70-00004A	PLATE-FL ARM;X-11,SECC E20/20,T1.6,	1	SNA	
S.N.A	AC66-00116A	LEVER BRAKE-T;X-13,POM,T10,W20,L40,	1	SNA		S.N.A	AC61-00392A	PLATE-CASSETTE;X-13,SECC,T0.8,W28,L	1	SNA	
S.N.A	AC69-12136A	PAD-T.BRAKE;X-9,FUR FELT,1.5,10.7,2	1	SNA		S.N.A	AC61-00393A	HOLDER-CASSETTE R;X-13,POM,-,W35,L7	1	SNA	
S.N.A	AC97-02583A	ASSY-LOADING BLOCK;-X-13,-	1	SNA		S.N.A	AC61-00394A	HOLDER-CASSETTE L;X-13,POM,-,W35,L7	1	SNA	
S.N.A	AC61-60572A	SPRING ETC-LOADING;X-9,SUS304WPB,OD	1	SNA		T001	AC97-02626A	ASSY-CYLINDER;6SS,CX13A-MIRIO,SECAM	1	SA	
S.N.A	AC66-00079A	GEAR-S LOADING;X-11,POM(K300),-,-,-	1	SNA		T002	AC61-00391A	PLATE-GROUND DECK;X-13,SPT,TO.3,-,	1	SA	
S.N.A	AC66-00095A	LEVER-LOADING S;X-13,SECC 20/20,T1.	1	SNA		T003	AC97-01652A	ASSY-LOADING MOTOR;SANKYO LOADING M	1	SNA	
S.N.A	AC61-60572A	SPRING ETC-LOADING;X-9,SUS304WPB,OD	1	SNA		T003	AC31-00018A	MOTOR-LOADING ASSY;-SCORPIO2(TS-10)	1	SA	
S.N.A	AC66-00080A	GEAR-T LOADING;X-11,POM(K300),-,-,-	1	SNA		T004	AC66-00101A	GEAR-WORM WHEEL;X-13,POM(M90-44 EQU	1	SA	
S.N.A	AC66-00096A	LEVER-LOADING T;X-13,SECC 20/20,T1.	1	SNA		T005	AC66-00102A	GEAR-FL CAM;X-13,POM(M90-44 EQU),-	1	SA	
S.N.A	AC97-02604A	ASSY-SUB MATERIALS;-DX11,-	1	SNA		T006	AC61-00105A	SPRING ETC-PINCH DRIVE;TS-10,SUS304	1	SA	
S.N.A	0205-000129	GREASE-SILICON;SC102,JAPAN,1000G/CA	0.2	SNA		T007	AC61-00390A	PLATE-JOINT;X-13,SECC 20/20,T0.8,-,	1	SA	
S.N.A	0205-001033	GREASE;PL-30G,W050030019,-	1.16	SNA		T008	AC97-02570A	ASSY-SLIDER SUPPLY;(PPS);X-13,-	1	SA	
S.N.A	0205-001035	OIL;EP-56,W050050072,MICHANG	0.04	SNA		T009	AC97-02556A	ASSY-SLIDER TAKE UP;-X-13,-	1	SA	
S.N.A	AC97-02611A	ASSY-PINCH BLOCK;-X-13A,-	1	SNA		T010	AC97-02625A	ASSY-HEAD A/C;-X-13A,-	1	SA	
S.N.A	AC60-30304A	FASTENER-WASHER PINCH;-,-,D2.7,D4.4	1	SNA		T011	AC66-00094A	LEVER-9 GUIDE;X-13,PPS,-,-,-,-,BROW	1	SA	
S.N.A	AC61-00104A	SPRING ETC-PINCH;TS-10,SUS304-WPB,-	1	SNA		T013	AC33-00018A	HEAD-FULL ERASE;-,-,X-13,-,-	1	SA	
S.N.A	AC61-00404A	POST-PINCH ROLLER;X-13,SUS XM-7,-,-	1	SNA		T015	AC97-02620A	ASSY-UNIT PINCH;-X-13A,-	1	SA	
S.N.A	AC61-21006A	CAP-PINCH;X-9,POM,-,-,-,-,-	1	SNA		T016	AC97-02663A	ASSY-POST #8 GUIDE;-X-13,PI 2.5	1	SA	
						T019	AC66-00124A	REEL-S;X-13,POM,-,BLK,2.5,-,27,-	1	SA	
						T020	AC66-00123A	REEL-T;X-13,POM,-,BLK,2.5,-,36.5,-	1	SA	
						T021	AC66-00115A	LEVER-IDLE;X-13,POM,T15,W38,L25,-,N	1	SA	
						T022	AC66-00114A	GEAR-IDLE;X-13,PET,0.5,54,27,NAT,27	2	SA	

Loc.No	Parts No.	Description : Specification	Q'ty	S.N.A	Remark	Loc.No	Parts No.	Description : Specification	Q'ty	S.N.A	Remark
T023	AC97-02562A	ASSY-LEVER TENSION;-X-13,-	1	SA		S.N.A	AK41-00706A	FFC-DECK;DP-21,PITCH1.0,PET,11P,-,2	1	SNA	
T024	AC61-00107A	SPRING ETC-TENSION LEVER;TS-10,SUS3	1	SA		S.N.A	AK31-00037A	MOTOR DC-LOADING;JQ24-35H440L,DP-21	1	SNA	
T025	AC97-02560A	ASSY-BAND BRAKE;-X-13,-	1	SA		S.N.A	AK66-00096A	PULLEY MOTOR;DP-21,POM,-,GRY,1.9.7	1	SNA	
T026	AC97-02567A	ASSY-LEVER BRAKE S;-X-13,-	1	SA		T037	AK66-00125A	SLIDER-CAM;DP-22,POM,T22,D17,L95,NA	1	SA	
T027	AC97-02568A	ASSY-LEVER BRAKE T;-X-13,-	1	SA		W274	6001-001730	SCREW-MACHINE;BH,+,-,M1.7,L2.5,ZPC(2	SA	
T028	AC61-00106A	SPRING ETC-BRAKE;TS-10,SUS304-WPB,-	1	SA		W396	6003-001620	SCREW-TAPTITE;CH,+,-,B-TITE,M1.4,L5	1	SA	
T028	AC61-00106A	SPRING ETC-BRAKE;TS-10,SUS304-WPB,-	1	SA		AD01	AK59-00074A	REMOCON-ASSY-DVD-V6700/KEF,SEC,175.	1	SA	
T029	AC66-00104A	SLIDER-FL DRIVE;X-13,SECC,T1.0,W15,	1	SA		C1	2401-002144	C-AL;47uF,20%,16V,GP,TP,5x11,5	1	SA	
T033	AC61-00388A	GUIDE-CASS DOOR;X-13,POM(M90-44 EQU	1	SA		LD1	0601-000519	LED-IR;ROUND,5mm,170mW,4V,950nm,TP	1	SA	
T034	AC66-00103A	GEAR-JOINT 1;X-13,POM(M90-44 EQU)-	1	SA		OP3	2007-000070	R-CHIP;0ohm,5%,1/10W,TP,1608	1	SA	
T035	AC66-00077A	GEAR-JOINT 2;X-11,POM(K300);-,-,B	1	SA		Q1	0501-000534	TR-SMALL SIGNAL;2SC2412K,NPN,200mW,	1	SA	
T036	AC61-00389A	BRACKET-GEAR;X-13,SECC 20/20,T0.8,-	1	SA		R1	2007-002425	R-CHIP;1ohm,5%,1/10W,TP,1608	1	SA	
T037	AC66-00092A	SLIDER-CAM;X-13,SECC 20/20,T1.2,-,-	1	SA		R2	2007-000071	R-CHIP;22ohm,5%,1/10W,TP,1608	1	SA	
T038	AC66-00099A	LEVER-PINCH DRIVE;X-13,SECC 20/20,T	1	SA		R3	2007-000070	R-CHIP;0ohm,5%,1/10W,TP,1608	1	SA	
T039	AC70-00003A	HOOK-CAPSTAN;-,-,L10,W10,H10,POM(M9	1	SA		X1	2802-001184	RESONATOR-CERAMIC;3.64MHZ,0.5%,BK,1	1	SA	
T040	AC66-00100A	LEVER-TENSION DRIVE;X-13,SECC 20/20	1	SA		ACCE	AC39-00017A	CABLE-ETC-RF(PAL);-MALE/FEMALE,120	1	SC	
T041	AC66-00078A	GEAR-LOADING DRIVE;X-11,POM(K300)-	1	SA		C1023	AC64-80135B	LEG;SV-6000W,PLASTOMER,-,BLK,-,-	2	SA	
T042	AC97-02557A	ASSY-LEVER LOADING S;-X-13,-	1	SA		C-RCA	AC39-22017Z	CABLE-RCA PHONE CORD;-,-,1500M/M,SI	1	SA	
T043	AC97-02558A	ASSY-LEVER LOADING T;-X-13,-	1	SA		C-RCA	AC39-42001U	CABLE-RCA PHONE CORD;DOUBLE,-,1.5MT	1	SA	
T044	3101-00142Z	MOTOR-CAPSTAN;0rpm,0g,cm,12V,90mA	1	SA		I/B	AK68-01604G	MANUAL USERS;DVD-V6800,XEG,GERMAN,-	1	SA	
T046	AC66-60051A	BELT-PULLEY;-5CM-70.2*2,-,71.3,-	1	SA		PACK	AK69-00625A	PACKING CASE;DVD-V6800/KEF, SEIN,PA	1	SA	
T048	AC97-02566A	ASSY-GEAR CENTER;-X-13,-	1	SA		W001	6003-000275	SCREW-TAPTITE;BH,+,-,B,M3,L10,ZPC(B	3	SA	
T050	AC66-00111A	LEVER-UP DOWN;X-13,POM,T15,E25,L55,	1	SA		W200	6003-001375	SCREW-TAPTITE;BH,+,-,B,M3,L8,ZPC(WH	5	SA	
T053	AC66-00097A	LINK-LOADING S;X-13,SECC 20/20,-,TO	1	SNA		W202	6003-000277	SCREW-TAPTITE;BH,+,-,B,M3,L12,ZPC(W	5	SA	
T055	AC66-00098A	LINK-LOADING T;X-13,SECC 20/20,-,TO	1	SNA		W252	AC60-12126A	SCREW-MACHINE;TH,+,-,M4,L12,ZPC(WHT	4	SC	
T057	AC61-00386A	SLEEVE-TENSION;X-13,-,2.5,-,-,N	1	SA							
T072	AC97-02622A	ASSY-HOLDER CASSETTE;SECC+POM+SUS,X	1	SA							
T073	AC61-00397A	SPRING ETC-LOCK;X-13,SWP-B,0.25,2.6	1	SA							
T074	AC97-02564A	ASSY-LEVER ARM;-X-13,-	1	SA							
T075	AC66-00108A	LEVER-DOOR;X-13,POM,-,W30,L75,-,NAT	1	SA							
T076	AC97-02569A	ASSY-CLUTCH;-X-13,-	1	SA							
VS165	AC66-00105A	LEVER-LOCK;X-13,SECC,T1.0,W25,L50,-	1	SNA							
W015	6006-001092	SCREW-MACHINE;PH,+,-,WS,M3.0,L6.0,ZPC	3	SA							
W016	6006-001154	SCREW-TAPTITE;PH,+,-,WSP,B,M2.6,L5.6,	1	SA							
W018	6003-001450	SCREW-TAPTITE;PH,+,-,S,M2.6,L5,ZPC(1	SA							
W019	6003-000108	SCREW-TAPTITE;BH,+,-,B,M2.6,L6,ZPC(YE	3	SA							
W201	6001-001711	SCREW-MACHINE;PH,+,-,M3,L3.3,ZPC(WH	1	SA							
W291	6001-000506	SCREW-MACHINE;PH,+,-,M2,L6,ZPC(WHT)	3	SNA							
DECK-DAK97-02256A	ASSY DVD DECK-COMBO,VE LOADER,DP-25		1	SNA							
C353	AK97-02098A	ASSY-HOUSING;-DP-22,-	1	SNA							
DSW1	3409-001201	SWITCH-LEVER;5V,1mA,2.7Z##	1	SA							
FL346	AK41-00250C	FFC-PU;DP-19,-,-,23P,-,1mm	1	SA							
H102	AK61-00778A	BODY-CLAMPER DISC;DP-21,POM,1.0,-,4	1	SA							
H103	AK66-00095A	GEAR-PULLY;DP-21,POM,0.4,14,19.2(OD	1	SA							
H104	AK97-02036A	ASSY-MOTOR LOAD;-DP-21,-	1	SA							
H105	6602-001076	BELT-RECTANGULAR;CR,T1.2,4.3%,1.2X2	1	SA							
H106	AK66-00094A	GEAR-TRAY;DP-21,POM,0.4(A)0.8(B),8	1	SA							
H108	AK63-00489A	TRAY-DISC;DP-22,ABS,T11,D122,L184,-	1	SA							
H212	AK61-00777A	HOLDER-CHUCK;DP-21,ABS,1.6,137.0,87	1	SA							
H213	AK61-00779A	SPRING ETC-CLAMPER;DP-21,SUS304CSP,	1	SA							
H215	AK97-02037C	ASSY-PU DECK;ASSY-PU DECK,CMS-LS78R	1	SA							
H401	AK61-00803A	FRAME-MAIN;DP-22,ABS,SR-0320,-,BLK,	1	SNA							
P059	AK97-02035A	ASSY-PCB DECK;-DP-21,-	1	SA							
S.N.A	0205-001033	GREASE;PL-30G,W050030019,-	1	SNA							
S.N.A	AK97-02033A	ASSY-HOLDER CHUCK;-DP-21,-	1	SNA							
S.N.A	AK41-00693A	PCB-MOTOR;DP-21,PHENOL,1,1,T1.6,18.	1	SNA							

M E M O