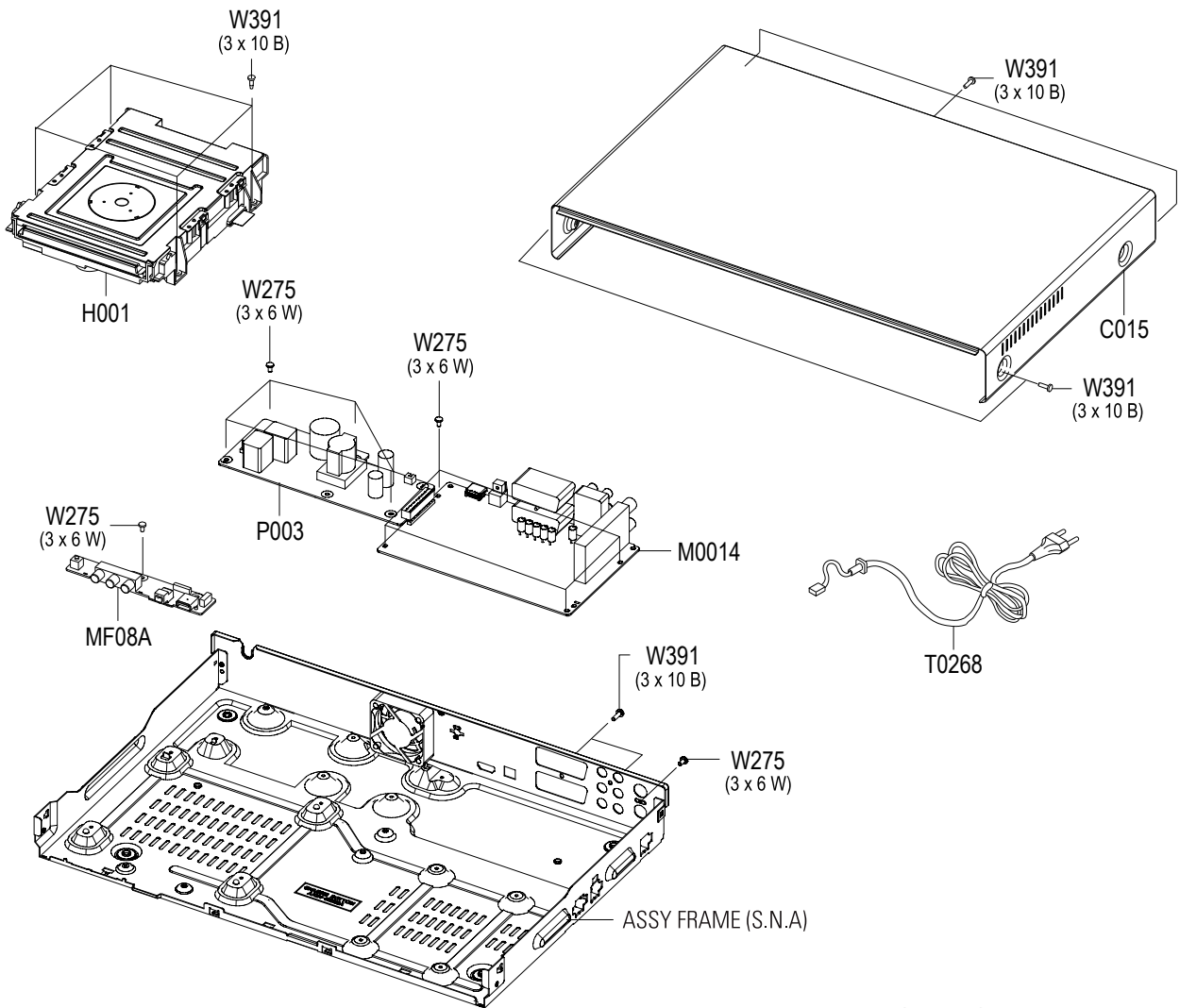

5. Exploded View and Parts List

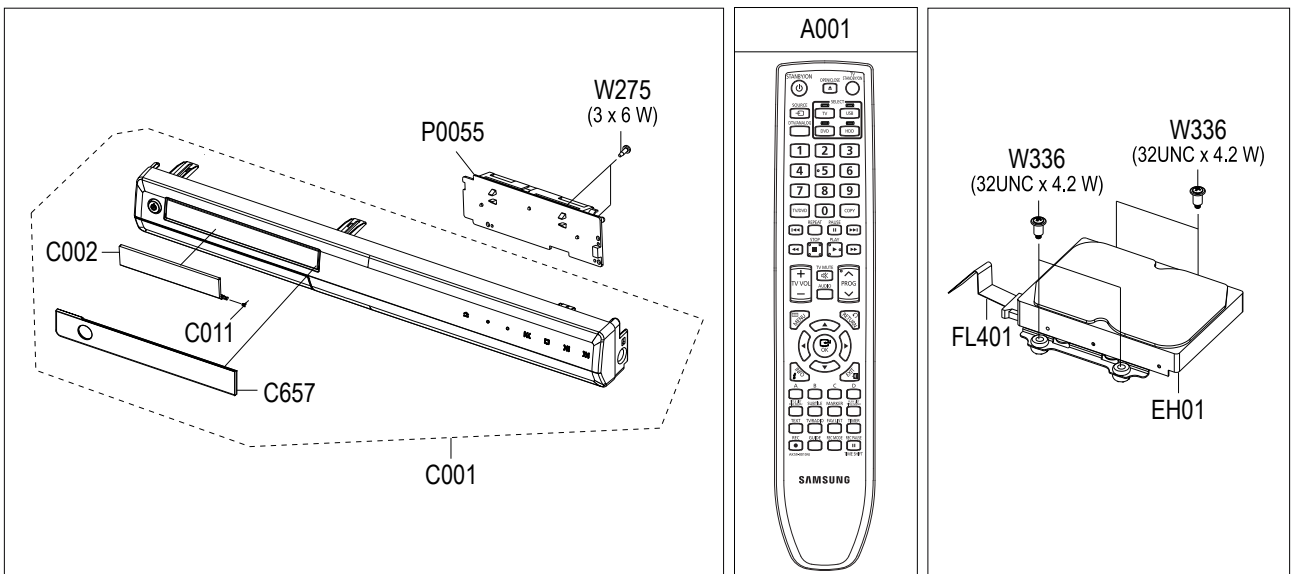
5-1 Cabinet Assembly----- 5-2

5-2 Electrical Parts List----- 5-4

5-1 Cabinet Assembly



● S.N.A.: Service Not Available



Loc. No	Parts No.	Description ; Specification	Q ty	SNA	Remark
A001	AK59-00104J	REMOCON-ASSY;DVD-SH895,SAMSUNG,49.5	1	SA	
C001	AK97-02468B	ASSY PANEL-FRONT;HDDR,DVD-SH893/XEF	1	SA	
C002	AK64-02352A	DOOR-TRAY;DVD-SH895,ABS+PMMA,20,15,	1	SA	
C011	AK61-00519A	SPRING ETC-DOOR;DVD-SR420,STS304WPB	1	SA	
C015	AK64-02379A	CABINET-TOP;DVD-SH895,SECC,T0.5,287	1	SA	
C657	AK64-02354A	DOOR-JACK;DVD-SH895,ABS+PMMA,20,17.	1	SA	
EH01	AK59-00105A	HDD;160G,ST3160316CS,63/track,16,16	1	SA	
FL401	AK39-00142B	DATA LINK CABLE;DVD-SH895,7P/4P,7P/	1	SA	
H001	AK96-01007A	ASSY LOADER-TS-P632F;DVD-VR375A,TS-	1	SA	
M0014	AK94-00230A	ASSY PCB MAIN;DVD-SH895A,09-CEZANNE	1	SA	
MF08A	AK94-00228A	ASSY PCB FRONT-AV;DVD-SH895A,09-CEZ	1	SA	
P003	AK94-00229A	ASSY PCB SMPS;DVD-SH895A,09-CEZANNE	1	SA	
P0055	AK94-00231A	ASSY PCB FUNCTION;DVD-SH895A,09-CEZ	1	SA	
T0268	AC39-10019A	CBF-POWER CORD;KKP-419C,H03VVH2-F,V	1	SA	
W275	6003-001561	SCREW-TAPTYPE;BH,+,-,B,M3,L6,ZPC(WH	12	SA	
W336	6001-000742	SCREW-INCH MACH;PH,+,-,UNC6-32,L4.2,Z	4	SA	
W391	6003-000275	SCREW-TAPTYPE;BH,+,-,B,M3,L10,ZPC(B	11	SA	

5-2 Electrical Parts List

Loc.No	Parts No.	Description : Specification	Q'ty	S.N.A	Remark	Loc.No	Parts No.	Description : Specification	Q'ty	S.N.A	Remark
M0014	AK94-00230A	ASSY PCB MAIN;DVD-SH895A,09-CEZANNE	1	SA		AVD32	0403-001083	DIODE-ZENER;UDZSNP9.1B,8.85/9.23V,2	1	SNA	
AR01	2007-001298	R-CHIP;51ohm,5%,1/16W,TP,1005	1	SNA		AVD33	0403-001083	DIODE-ZENER;UDZSNP9.1B,8.85/9.23V,2	1	SNA	
AR02	2007-001298	R-CHIP;51ohm,5%,1/16W,TP,1005	1	SNA		AVD34	0403-001083	DIODE-ZENER;UDZSNP9.1B,8.85/9.23V,2	1	SNA	
AR04	2007-000171	R-CHIP;0ohm,5%,1/16W,TP,1005	1	SNA		AVD35	0403-001083	DIODE-ZENER;UDZSNP9.1B,8.85/9.23V,2	1	SNA	
ARR01	2011-001427	R-NETWORK;0ohm,5%,1/16W,L,CHIP,8P,T	1	SA		AVD36	0403-001083	DIODE-ZENER;UDZSNP9.1B,8.85/9.23V,2	1	SNA	
ARR02	2011-001427	R-NETWORK;0ohm,5%,1/16W,L,CHIP,8P,T	1	SA		AVD37	0403-001083	DIODE-ZENER;UDZSNP9.1B,8.85/9.23V,2	1	SNA	
ARR03	2011-001427	R-NETWORK;0ohm,5%,1/16W,L,CHIP,8P,T	1	SA		AVD38	0403-001083	DIODE-ZENER;UDZSNP9.1B,8.85/9.23V,2	1	SNA	
ARR04	2011-001478	R-NETWORK;51ohm,5%,1/16W,L,CHIP-V,8	1	SA		AVD39	0403-001083	DIODE-ZENER;UDZSNP9.1B,8.85/9.23V,2	1	SNA	
ARR05	2011-001478	R-NETWORK;51ohm,5%,1/16W,L,CHIP-V,8	1	SA		AVD40	0403-001083	DIODE-ZENER;UDZSNP9.1B,8.85/9.23V,2	1	SNA	
ARR06	2011-001478	R-NETWORK;51ohm,5%,1/16W,L,CHIP-V,8	1	SA		AVDD2	0407-000114	DIODE-SWITCHING;KDS184,80V,100mA,SO	1	SNA	
ARR07	2011-001478	R-NETWORK;51ohm,5%,1/16W,L,CHIP-V,8	1	SA		AVDD3	0407-000114	DIODE-SWITCHING;KDS184,80V,100mA,SO	1	SNA	
ARR08	2011-001478	R-NETWORK;51ohm,5%,1/16W,L,CHIP-V,8	1	SA		AVDD4	0401-001099	DIODE-SWITCHING;1N4148WS,75V,150mA,	1	SA	
ARR09	2011-001478	R-NETWORK;51ohm,5%,1/16W,L,CHIP-V,8	1	SA		AVE1	2402-001257	C-AL,SMD;470uF,20%,16V,TP,8.3x10mm	1	SA	
AVC01	2203-000995	C-CER,CHIP;.047F,5%,50V,COG,TP,100	1	SA		AVE3	2402-001257	C-AL,SMD;470uF,20%,16V,TP,8.3x10mm	1	SA	
AVC04	2203-001124	C-CER,CHIP;0.68NF,10%,50V,X7R,TP,10	1	SA		AVE6	2402-001257	C-AL,SMD;470uF,20%,16V,TP,8.3x10mm	1	SA	
AVC05	2203-001124	C-CER,CHIP;0.68NF,10%,50V,X7R,TP,10	1	SA		AVER4	2007-000033	R-CHIP;0ohm,5%,1/4W,TP,3216	1	SA	
AVC06	2203-001124	C-CER,CHIP;0.68NF,10%,50V,X7R,TP,10	1	SA		AVER5	2007-000033	R-CHIP;0ohm,5%,1/4W,TP,3216	1	SA	
AVC07	2203-001124	C-CER,CHIP;0.68NF,10%,50V,X7R,TP,10	1	SA		AVER7	2007-000033	R-CHIP;0ohm,5%,1/4W,TP,3216	1	SA	
AVC08	2203-000489	C-CER,CHIP;2.2nF,10%,50V,X7R,TP,100	1	SA		AVJ1	3722-002321	JACK-SCART;42P,SN+PB,BLK	1	SA	
AVC09	2203-000489	C-CER,CHIP;2.2nF,10%,50V,X7R,TP,100	1	SA		AVJ2	3722-002332	JACK-PIN;6P,Sn,GN-BU-RD/YL-WH-RD,AG	1	SA	
AVC10	2203-000489	C-CER,CHIP;2.2nF,10%,50V,X7R,TP,100	1	SA		AVL02	3301-001419	BEAD-SMD;220ohm,1608,TP,133ohm/70MH	1	SA	
AVC11	2203-000489	C-CER,CHIP;2.2nF,10%,50V,X7R,TP,100	1	SA		AVL04	3301-001419	BEAD-SMD;220ohm,1608,TP,133ohm/70MH	1	SA	
AVC12	2203-006361	C-CER,CHIP;10000nF,10%,10V,X5R,TP,2	1	SC		AVL06	3301-001419	BEAD-SMD;220ohm,1608,TP,133ohm/70MH	1	SA	
AVC13	2203-000233	C-CER,CHIP;0.1nF,5%,50V,COG,TP,1005	1	SA		AVL14	3301-001419	BEAD-SMD;220ohm,1608,TP,133ohm/70MH	1	SA	
AVC15	2203-000233	C-CER,CHIP;0.1nF,5%,50V,COG,TP,1005	1	SA		AVQ1	0501-002184	TR-SMALL SIGNAL;KTD1304,NPN,200mW,S	1	SA	
AVC20	2203-000585	C-CER,CHIP;0.22nF,10%,50V,X7R,1005	1	SA		AVQ2	0501-002184	TR-SMALL SIGNAL;KTD1304,NPN,200mW,S	1	SA	
AVC22	2203-000585	C-CER,CHIP;0.22nF,10%,50V,X7R,1005	1	SA		AVQ3	0504-000156	TR-DIGITAL;KSR2103,PNP,200MW,22K/22	1	SA	
AVC24	2203-000585	C-CER,CHIP;0.22nF,10%,50V,X7R,1005	1	SA		AVQ4	0504-000156	TR-DIGITAL;KSR2103,PNP,200MW,22K/22	1	SA	
AVC27	2203-000585	C-CER,CHIP;0.22nF,10%,50V,X7R,1005	1	SA		AVQ5	0501-000341	TR-SMALL SIGNAL;KSC1623-L,NPN,200mW	1	SA	
AVC28	2203-000585	C-CER,CHIP;0.22nF,10%,50V,X7R,1005	1	SA		AVQ6	0504-000129	TR-DIGITAL;KSR1104,NPN,200mW,47K/47	1	SA	
AVD01	1405-001233	VARIATOR;30Vdc,5A,1.6x0.8x0.8mm,TP	1	SA		AVQ7	0504-000152	TR-DIGITAL;KSR2101,PNP,200mW,4.7K/4	1	SA	
AVD02	1405-001233	VARIATOR;30Vdc,5A,1.6x0.8x0.8mm,TP	1	SA		AVR04	2007-001217	R-CHIP;82ohm,5%,1/16W,TP,1005	1	SNA	
AVD03	1405-001233	VARIATOR;30Vdc,5A,1.6x0.8x0.8mm,TP	1	SA		AVR05	2007-007009	R-CHIP;75ohm,5%,1/16W,TP,1005	1	SA	
AVD04	0403-001083	DIODE-ZENER;UDZSNP9.1B,8.85/9.23V,2	1	SNA		AVR06	2007-002797	R-CHIP;560ohm,5%,1/16W,TP,1005	1	SNA	
AVD05	0403-001083	DIODE-ZENER;UDZSNP9.1B,8.85/9.23V,2	1	SNA		AVR07	2007-007009	R-CHIP;75ohm,5%,1/16W,TP,1005	1	SA	
AVD06	1405-001233	VARIATOR;30Vdc,5A,1.6x0.8x0.8mm,TP	1	SA		AVR08	2007-007009	R-CHIP;75ohm,5%,1/16W,TP,1005	1	SA	
AVD07	1405-001233	VARIATOR;30Vdc,5A,1.6x0.8x0.8mm,TP	1	SA		AVR09	2007-000162	R-CHIP;100Kohm,5%,1/16W,TP,1005	1	SNA	
AVD08	1405-001233	VARIATOR;30Vdc,5A,1.6x0.8x0.8mm,TP	1	SA		AVR1	2007-000141	R-CHIP;2.2Kohm,5%,1/16W,TP,1005	1	SNA	
AVD09	1405-001233	VARIATOR;30Vdc,5A,1.6x0.8x0.8mm,TP	1	SA		AVR10	2007-000162	R-CHIP;100Kohm,5%,1/16W,TP,1005	1	SNA	
AVD1	0401-001099	DIODE-SWITCHING;1N4148WS,75V,150mA,	1	SA		AVR12	2007-007009	R-CHIP;75ohm,5%,1/16W,TP,1005	1	SA	
AVD10	1405-001233	VARIATOR;30Vdc,5A,1.6x0.8x0.8mm,TP	1	SA		AVR13	2007-007009	R-CHIP;75ohm,5%,1/16W,TP,1005	1	SA	
AVD11	0403-001083	DIODE-ZENER;UDZSNP9.1B,8.85/9.23V,2	1	SNA		AVR14	2007-007009	R-CHIP;75ohm,5%,1/16W,TP,1005	1	SA	
AVD12	1405-001233	VARIATOR;30Vdc,5A,1.6x0.8x0.8mm,TP	1	SA		AVR15	2007-000775	R-CHIP;33Kohm,5%,1/16W,TP,1005	1	SNA	
AVD13	0403-001083	DIODE-ZENER;UDZSNP9.1B,8.85/9.23V,2	1	SNA		AVR16	2007-000140	R-CHIP;1Kohm,5%,1/16W,TP,1005	1	SNA	
AVD16	0403-001083	DIODE-ZENER;UDZSNP9.1B,8.85/9.23V,2	1	SNA		AVR17	2007-007009	R-CHIP;75ohm,5%,1/16W,TP,1005	1	SA	
AVD17	0403-001083	DIODE-ZENER;UDZSNP9.1B,8.85/9.23V,2	1	SNA		AVR18	2007-000140	R-CHIP;1Kohm,5%,1/16W,TP,1005	1	SNA	
AVD18	0403-001083	DIODE-ZENER;UDZSNP9.1B,8.85/9.23V,2	1	SNA		AVR19	2007-007009	R-CHIP;75ohm,5%,1/16W,TP,1005	1	SA	
AVD19	1405-001233	VARIATOR;30Vdc,5A,1.6x0.8x0.8mm,TP	1	SA		AVR2	2007-000141	R-CHIP;2.2Kohm,5%,1/16W,TP,1005	1	SNA	
AVD20	1405-001233	VARIATOR;30Vdc,5A,1.6x0.8x0.8mm,TP	1	SA		AVR20	2007-000153	R-CHIP;22Kohm,5%,1/16W,TP,1005	1	SNA	
AVD21	1405-001233	VARIATOR;30Vdc,5A,1.6x0.8x0.8mm,TP	1	SA		AVR21	2203-000233	C-CER,CHIP;0.1nF,5%,50V,COG,TP,1005	1	SA	
AVD22	0403-001083	DIODE-ZENER;UDZSNP9.1B,8.85/9.23V,2	1	SNA		AVR22	2203-000233	C-CER,CHIP;0.1nF,5%,50V,COG,TP,1005	1	SA	
AVD23	0403-001083	DIODE-ZENER;UDZSNP9.1B,8.85/9.23V,2	1	SNA		AVR23	2203-000233	C-CER,CHIP;0.1nF,5%,50V,COG,TP,1005	1	SA	
AVD24	0403-001083	DIODE-ZENER;UDZSNP9.1B,8.85/9.23V,2	1	SNA		AVR24	2007-007009	R-CHIP;75ohm,5%,1/16W,TP,1005	1	SA	
AVD25	0403-001083	DIODE-ZENER;UDZSNP9.1B,8.85/9.23V,2	1	SNA		AVR25	2007-007009	R-CHIP;75ohm,5%,1/16W,TP,1005	1	SA	
AVD26	1405-001233	VARIATOR;30Vdc,5A,1.6x0.8x0.8mm,TP	1	SA		AVR26	2007-007009	R-CHIP;75ohm,5%,1/16W,TP,1005	1	SA	
AVD27	1405-001233	VARIATOR;30Vdc,5A,1.6x0.8x0.8mm,TP	1	SA		AVR27	2007-000162	R-CHIP;100Kohm,5%,1/16W,TP,1005	1	SNA	
AVD28	0403-001083	DIODE-ZENER;UDZSNP9.1B,8.85/9.23V,2	1	SNA		AVR28	2007-000140	R-CHIP;1Kohm,5%,1/16W,TP,1005	1	SNA	
AVD29	0403-001083	DIODE-ZENER;UDZSNP9.1B,8.85/9.23V,2	1	SNA		AVR29	2007-000162	R-CHIP;100Kohm,5%,1/16W,TP,1005	1	SNA	
AVD30	0403-001083	DIODE-ZENER;UDZSNP9.1B,8.85/9.23V,2	1	SNA		AVR30	2007-000140	R-CHIP;1Kohm,5%,1/16W,TP,1005	1	SNA	
AVD31	0403-001083	DIODE-ZENER;UDZSNP9.1B,8.85/9.23V,2	1	SNA		AVR31	2007-000140	R-CHIP;1Kohm,5%,1/16W,TP,1005	1	SNA	

Loc.No	Parts No.	Description : Specification	Q'ty	S.N.A	Remark	Loc.No	Parts No.	Description : Specification	Q'ty	S.N.A	Remark
AVR33	2007-000138	R-CHIP;100ohm,5%,1/16W,TP,1005	1	SA		DC18	2203-006048	C-CER,CHIP;100nF,10%,10V,X7R,TP,100	1	SA	
AVR34	2007-000138	R-CHIP;100ohm,5%,1/16W,TP,1005	1	SA		DC19	2203-006048	C-CER,CHIP;100nF,10%,10V,X7R,TP,100	1	SA	
AVR36	2007-000138	R-CHIP;100ohm,5%,1/16W,TP,1005	1	SA		DC20	2203-006048	C-CER,CHIP;100nF,10%,10V,X7R,TP,100	1	SA	
AVR45	2007-000138	R-CHIP;100ohm,5%,1/16W,TP,1005	1	SA		DC21	2203-000254	C-CER,CHIP;10nF,10%,16V,X7R,TP,1005	1	SA	
AVR46	2007-000138	R-CHIP;100ohm,5%,1/16W,TP,1005	1	SA		DC22	2203-000254	C-CER,CHIP;10nF,10%,16V,X7R,TP,1005	1	SA	
AVR48	2007-000140	R-CHIP;1Kohm,5%,1/16W,TP,1005	1	SNA		DC23	2203-000254	C-CER,CHIP;10nF,10%,16V,X7R,TP,1005	1	SA	
AVR49	2007-000140	R-CHIP;1Kohm,5%,1/16W,TP,1005	1	SNA		DC24	2203-000254	C-CER,CHIP;10nF,10%,16V,X7R,TP,1005	1	SA	
AVR50	2007-000157	R-CHIP;47Kohm,5%,1/16W,TP,1005	1	SNA		DC25	2203-000254	C-CER,CHIP;10nF,10%,16V,X7R,TP,1005	1	SA	
AVR51	2007-000157	R-CHIP;47Kohm,5%,1/16W,TP,1005	1	SNA		DC26	2203-006048	C-CER,CHIP;100nF,10%,10V,X7R,TP,100	1	SA	
AVR52	2007-000140	R-CHIP;1Kohm,5%,1/16W,TP,1005	1	SNA		DC27	2203-006048	C-CER,CHIP;100nF,10%,10V,X7R,TP,100	1	SA	
AVR53	2007-000140	R-CHIP;1Kohm,5%,1/16W,TP,1005	1	SNA		DC28	2203-006048	C-CER,CHIP;100nF,10%,10V,X7R,TP,100	1	SA	
AVR54	2007-000157	R-CHIP;47Kohm,5%,1/16W,TP,1005	1	SNA		DC29	2203-006048	C-CER,CHIP;100nF,10%,10V,X7R,TP,100	1	SA	
AVR55	2007-000157	R-CHIP;47Kohm,5%,1/16W,TP,1005	1	SNA		DC30	2203-006048	C-CER,CHIP;100nF,10%,10V,X7R,TP,100	1	SA	
BC01	2203-000254	C-CER,CHIP;10nF,10%,16V,X7R,TP,1005	1	SA		DC41	2203-006048	C-CER,CHIP;100nF,10%,10V,X7R,TP,100	1	SA	
BC02	2203-000254	C-CER,CHIP;10nF,10%,16V,X7R,TP,1005	1	SA		DC42	2203-006048	C-CER,CHIP;100nF,10%,10V,X7R,TP,100	1	SA	
BC03	2203-000254	C-CER,CHIP;10nF,10%,16V,X7R,TP,1005	1	SA		DC51	2203-006048	C-CER,CHIP;100nF,10%,10V,X7R,TP,100	1	SA	
BC04	2203-000254	C-CER,CHIP;10nF,10%,16V,X7R,TP,1005	1	SA		DC52	2203-006048	C-CER,CHIP;100nF,10%,10V,X7R,TP,100	1	SA	
BZ1	3002-001134	BUZZER-PIEZO;85dB,12V,2K-4KHz,BK	1	SA		DC53	2203-006048	C-CER,CHIP;100nF,10%,10V,X7R,TP,100	1	SA	
BZR1	2007-000144	R-CHIP;5.1Kohm,5%,1/16W,TP,1005	1	SA		DC54	2203-006048	C-CER,CHIP;100nF,10%,10V,X7R,TP,100	1	SA	
CC01	2203-006048	C-CER,CHIP;100nF,10%,10V,X7R,TP,100	1	SA		DC55	2203-000254	C-CER,CHIP;10nF,10%,16V,X7R,TP,1005	1	SA	
CDR1	2007-007156	R-CHIP;1ohm,5%,1/16W,TP,1005	1	SNA		DC56	2203-000254	C-CER,CHIP;10nF,10%,16V,X7R,TP,1005	1	SA	
CIC1	0801-002701	IC-CMOS LOGIC;74VHCT125A,BUFFER,TSS	1	SA		DC57	2203-000254	C-CER,CHIP;10nF,10%,16V,X7R,TP,1005	1	SA	
CIC2	1103-001218	IC-EEPROM;524A80X91,32Kbit,4Kx8,SOP	1	SA		DC58	2203-000254	C-CER,CHIP;10nF,10%,16V,X7R,TP,1005	1	SA	
CN701	3708-000172	CONNECTOR-FPC/FPC/PIC;15P,1.25mm,ST	1	SA		DC59	2203-006361	C-CER,CHIP;1000nF,10%,10V,X5R,TP,2	1	SC	
CN702	3708-001695	CONNECTOR-FPC/FPC/PIC;13P,1mm,STRAI	1	SA		DC60	2203-006048	C-CER,CHIP;100nF,10%,10V,X7R,TP,100	1	SA	
CON1	3711-005314	HEADER-BOARD TO BOARD;NOWALL,16P,1R	1	SA		DCR01	2007-000171	R-CHIP;0ohm,5%,1/16W,TP,1005	1	SNA	
CON2	3701-001313	CONNECTOR-HDMI;19P,2R,PLUG,ANGLE,AU	1	SA		DCR02	2007-000171	R-CHIP;0ohm,5%,1/16W,TP,1005	1	SNA	
CONDRV	3711-004379	HEADER-BOARD TO CABLE;BOX,4P,1R,2mm	1	SA		DCR03	2007-000171	R-CHIP;0ohm,5%,1/16W,TP,1005	1	SNA	
CONHDD	3711-004379	HEADER-BOARD TO CABLE;BOX,4P,1R,2mm	1	SA		DCR04	2007-000171	R-CHIP;0ohm,5%,1/16W,TP,1005	1	SNA	
CQ1	0501-000341	TR-SMALL SIGNAL;KSC1623-L,NPN,200mW	1	SA		DCR05	2007-000171	R-CHIP;0ohm,5%,1/16W,TP,1005	1	SNA	
CQ2	0505-000110	FET-SILICON;2N7002,N,60V,115mA,7.5o	1	SA		DCR06	2007-000171	R-CHIP;0ohm,5%,1/16W,TP,1005	1	SNA	
CR01	2007-000143	R-CHIP;4.7Kohm,5%,1/16W,TP,1005	1	SNA		DCR07	2007-000171	R-CHIP;0ohm,5%,1/16W,TP,1005	1	SNA	
CR02	2007-000143	R-CHIP;4.7Kohm,5%,1/16W,TP,1005	1	SNA		DCR08	2007-000040	R-CHIP;150ohm,1%,1/10W,TP,1608	1	SNA	
CR03	2007-000143	R-CHIP;4.7Kohm,5%,1/16W,TP,1005	1	SNA		DCR09	2007-000040	R-CHIP;150ohm,1%,1/10W,TP,1608	1	SNA	
CR04	2007-000143	R-CHIP;4.7Kohm,5%,1/16W,TP,1005	1	SNA		DDR31	2007-007318	R-CHIP;1Kohm,1%,1/16W,TP,1005	1	SNA	
CR05	2007-000143	R-CHIP;4.7Kohm,5%,1/16W,TP,1005	1	SNA		DDR32	2007-007318	R-CHIP;1Kohm,1%,1/16W,TP,1005	1	SNA	
CR06	2007-000143	R-CHIP;4.7Kohm,5%,1/16W,TP,1005	1	SNA		DE11	2203-006361	C-CER,CHIP;1000nF,10%,10V,X5R,TP,2	1	SC	
CR07	2007-000139	R-CHIP;220ohm,5%,1/16W,TP,1005	1	SNA		DE21	2203-006361	C-CER,CHIP;1000nF,10%,10V,X5R,TP,2	1	SC	
CR08	2007-000139	R-CHIP;220ohm,5%,1/16W,TP,1005	1	SNA		DIC1	1105-001931	IC-DDR2 SDRAM;K4T51163Q,DDR2-800,51	1	SA	
CR09	2007-000139	R-CHIP;220ohm,5%,1/16W,TP,1005	1	SNA		DIC2	1105-001931	IC-DDR2 SDRAM;K4T51163Q,DDR2-800,51	1	SA	
CR10	2007-001156	R-CHIP;750ohm,5%,1/16W,TP,1005	1	SNA		DIC5	AK97-03189A	ASSY MICOM-B/E;FLASH,DVD-SH895A,1	1	SNA	
CR11	2007-001156	R-CHIP;750ohm,5%,1/16W,TP,1005	1	SNA		DIC5	1107-001735	IC-NOR FLASH;MX25L3205DM2I-12G,32Mb	1	SNA	
CR12	2007-001156	R-CHIP;750ohm,5%,1/16W,TP,1005	1	SNA		DL1	3301-001670	BEAD-SMD;60ohm,2012,3000mA,TP,,0.0	1	SA	
CR13	2007-000143	R-CHIP;4.7Kohm,5%,1/16W,TP,1005	1	SNA		DL2	3301-001670	BEAD-SMD;60ohm,2012,3000mA,TP,,0.0	1	SA	
CR31	2007-000140	R-CHIP;1Kohm,5%,1/16W,TP,1005	1	SNA		DL3	3301-001670	BEAD-SMD;60ohm,2012,3000mA,TP,,0.0	1	SA	
CR32	2007-000142	R-CHIP;2.7Kohm,5%,1/16W,TP,1005	1	SNA		DL4	3301-001670	BEAD-SMD;60ohm,2012,3000mA,TP,,0.0	1	SA	
CR33	2007-000156	R-CHIP;30Kohm,5%,1/16W,TP,1005	1	SA		DQR01	2007-000171	R-CHIP;0ohm,5%,1/16W,TP,1005	1	SNA	
DC01	2203-006048	C-CER,CHIP;100nF,10%,10V,X7R,TP,100	1	SA		DQR02	2007-000171	R-CHIP;0ohm,5%,1/16W,TP,1005	1	SNA	
DC02	2203-006048	C-CER,CHIP;100nF,10%,10V,X7R,TP,100	1	SA		DQR03	2007-000171	R-CHIP;0ohm,5%,1/16W,TP,1005	1	SNA	
DC03	2203-006048	C-CER,CHIP;100nF,10%,10V,X7R,TP,100	1	SA		DQR04	2007-000171	R-CHIP;0ohm,5%,1/16W,TP,1005	1	SNA	
DC04	2203-006048	C-CER,CHIP;100nF,10%,10V,X7R,TP,100	1	SA		DQR05	2007-000140	R-CHIP;1Kohm,5%,1/16W,TP,1005	1	SNA	
DC05	2203-000254	C-CER,CHIP;10nF,10%,16V,X7R,TP,1005	1	SA		DQR06	2007-000140	R-CHIP;1Kohm,5%,1/16W,TP,1005	1	SNA	
DC06	2203-000254	C-CER,CHIP;10nF,10%,16V,X7R,TP,1005	1	SA		DR03	2007-001292	R-CHIP;33ohm,5%,1/16W,TP,1005	1	SNA	
DC07	2203-000254	C-CER,CHIP;10nF,10%,16V,X7R,TP,1005	1	SA		DR04	2007-001292	R-CHIP;33ohm,5%,1/16W,TP,1005	1	SNA	
DC08	2203-006361	C-CER,CHIP;1000nF,10%,10V,X5R,TP,2	1	SC		DR05	2007-001292	R-CHIP;33ohm,5%,1/16W,TP,1005	1	SNA	
DC09	2203-006048	C-CER,CHIP;100nF,10%,10V,X7R,TP,100	1	SA		DR06	2007-001292	R-CHIP;33ohm,5%,1/16W,TP,1005	1	SNA	
DC10	2203-006048	C-CER,CHIP;100nF,10%,10V,X7R,TP,100	1	SA		DR07	2007-001292	R-CHIP;33ohm,5%,1/16W,TP,1005	1	SNA	
DC11	2203-000254	C-CER,CHIP;10nF,10%,16V,X7R,TP,1005	1	SA		DR08	2007-001292	R-CHIP;33ohm,5%,1/16W,TP,1005	1	SNA	
DC12	2203-000254	C-CER,CHIP;10nF,10%,16V,X7R,TP,1005	1	SA		DR09	2007-001292	R-CHIP;33ohm,5%,1/16W,TP,1005	1	SNA	
DC13	2203-000254	C-CER,CHIP;10nF,10%,16V,X7R,TP,1005	1	SA		DR10	2007-001292	R-CHIP;33ohm,5%,1/16W,TP,1005	1	SNA	
DC14	2203-000254	C-CER,CHIP;10nF,10%,16V,X7R,TP,1005	1	SA		DR11	2007-001292	R-CHIP;33ohm,5%,1/16W,TP,1005	1	SNA	
DC15	2203-000254	C-CER,CHIP;10nF,10%,16V,X7R,TP,1005	1	SA		DR12	2007-001292	R-CHIP;33ohm,5%,1/16W,TP,1005	1	SNA	
DC16	2203-006048	C-CER,CHIP;100nF,10%,10V,X7R,TP,100	1	SA		DR13	2007-001292	R-CHIP;33ohm,5%,1/16W,TP,1005	1	SNA	
DC17	2203-006048	C-CER,CHIP;100nF,10%,10V,X7R,TP,100	1	SA							

Exploded Views and Parts List

Loc.No	Parts No.	Description : Specification	Q'ty	S.N.A	Remark	Loc.No	Parts No.	Description : Specification	Q'ty	S.N.A	Remark
DR14	2007-001292	R-CHIP:33ohm,5%,1/16W,TP,1005	1	SNA		ER21	2007-007156	R-CHIP:1ohm,5%,1/16W,TP,1005	1	SNA	
DR15	2007-001292	R-CHIP:33ohm,5%,1/16W,TP,1005	1	SNA		FAC10	2203-001126	C-CER,CHIP:0.68nF,10%,50V,X7R,1608	1	SNA	
DR16	2007-001292	R-CHIP:33ohm,5%,1/16W,TP,1005	1	SNA		FAC11	2203-001126	C-CER,CHIP:0.68nF,10%,50V,X7R,1608	1	SNA	
DR17	2007-001292	R-CHIP:33ohm,5%,1/16W,TP,1005	1	SNA		FAC5	2203-000491	C-CER,CHIP:2.2nF,10%,50V,X7R,1608	1	SA	
DR18	2007-001292	R-CHIP:33ohm,5%,1/16W,TP,1005	1	SNA		FAC6	2203-001126	C-CER,CHIP:0.68nF,10%,50V,X7R,1608	1	SNA	
DR21	2007-001292	R-CHIP:33ohm,5%,1/16W,TP,1005	1	SNA		FAC7	2203-000783	C-CER,CHIP:0.33nF,5%,50V,C0G,1608	1	SA	
DR23	2007-001292	R-CHIP:33ohm,5%,1/16W,TP,1005	1	SNA		FAC8	2203-000783	C-CER,CHIP:0.33nF,5%,50V,C0G,1608	1	SA	
DR25	2007-001292	R-CHIP:33ohm,5%,1/16W,TP,1005	1	SNA		FAC9	2203-000491	C-CER,CHIP:2.2nF,10%,50V,X7R,1608	1	SA	
DR27	2007-001292	R-CHIP:33ohm,5%,1/16W,TP,1005	1	SNA		FAD1	0403-001083	DIODE-ZENER;UDZSNP9.1B,8.85/9.23V,2	1	SNA	
DR29	2007-001292	R-CHIP:33ohm,5%,1/16W,TP,1005	1	SNA		FAD2	1405-001233	VARIATOR;30Vdc,5A,1.6x0.8x0.8mm,TP	1	SA	
DR31	2007-001292	R-CHIP:33ohm,5%,1/16W,TP,1005	1	SNA		FAD3	1405-001233	VARIATOR;30Vdc,5A,1.6x0.8x0.8mm,TP	1	SA	
DR33	2007-001292	R-CHIP:33ohm,5%,1/16W,TP,1005	1	SNA		FAD4	0403-001083	DIODE-ZENER;UDZSNP9.1B,8.85/9.23V,2	1	SNA	
DR35	2007-001292	R-CHIP:33ohm,5%,1/16W,TP,1005	1	SNA		FAD5	3301-001419	BEAD-SMD;220ohm,1608,TP,133ohm70MH	1	SA	
DR36	2007-001292	R-CHIP:33ohm,5%,1/16W,TP,1005	1	SNA		FAD6	0403-001083	DIODE-ZENER;UDZSNP9.1B,8.85/9.23V,2	1	SNA	
DR37	2007-001292	R-CHIP:33ohm,5%,1/16W,TP,1005	1	SNA		FAE1	2203-006361	C-CER,CHIP:10000nF,10%,10V,X5R,TP,2	1	SC	
DR38	2007-001292	R-CHIP:33ohm,5%,1/16W,TP,1005	1	SNA		FAE2	2203-006361	C-CER,CHIP:10000nF,10%,10V,X5R,TP,2	1	SC	
DR41	2007-000143	R-CHIP:4.7Kohm,5%,1/16W,TP,1005	1	SNA		FAL1	2703-000301	INDUCTOR-SMD;2.7uH,10%,1608	1	SA	
DR42	2007-000982	R-CHIP:5.6Kohm,5%,1/16W,TP,1005	1	SA		FAL2	2703-000275	INDUCTOR-SMD;33UH,10%,2012	1	SA	
DR43	2007-000982	R-CHIP:5.6Kohm,5%,1/16W,TP,1005	1	SA		FAL3	2703-000275	INDUCTOR-SMD;33UH,10%,2012	1	SA	
DR44	2007-000982	R-CHIP:5.6Kohm,5%,1/16W,TP,1005	1	SA		FAL4	2703-000301	INDUCTOR-SMD;2.7uH,10%,1608	1	SA	
DR45	2007-000982	R-CHIP:5.6Kohm,5%,1/16W,TP,1005	1	SA		FAR1	2007-000148	R-CHIP:10Kohm,5%,1/16W,TP,1005	1	SA	
DR46	2007-000982	R-CHIP:5.6Kohm,5%,1/16W,TP,1005	1	SA		FAR2	2007-000148	R-CHIP:10Kohm,5%,1/16W,TP,1005	1	SA	
DR47	2007-000148	R-CHIP:10Kohm,5%,1/16W,TP,1005	1	SA		FAR3	2007-000154	R-CHIP:24Kohm,5%,1/16W,TP,1005	1	SA	
DTC1	2203-006048	C-CER,CHIP:100nF,10%,10V,X7R,TP,100	1	SA		FAR4	2007-000154	R-CHIP:24Kohm,5%,1/16W,TP,1005	1	SA	
DTC2	2203-000278	C-CER,CHIP:0.1nF,0.5pF,50V,C0G,TP,1	1	SA		FC03	2203-000681	C-CER,CHIP:0.027nF,5%,50V,C0G,1608	1	SA	
DTC3	2203-000278	C-CER,CHIP:0.1nF,0.5pF,50V,C0G,TP,1	1	SA		FC04	2203-000681	C-CER,CHIP:0.027nF,5%,50V,C0G,1608	1	SA	
DTIC1	1205-003616	IC-CLOCK GENERATOR;ICS726ATLFT,TSOT	1	SNA		FC06	2203-006361	C-CER,CHIP:10000nF,10%,10V,X5R,TP,2	1	SC	
DTM1	AA40-00178A	TUNER;DTX-6A/125S-D5,DTX-6A/125S-D5	1	SA		FC07	2203-002709	C-CER,CHIP:100nF,+80-20%,16V,Y5V,10	1	SA	
DTR1	2007-000140	R-CHIP:1Kohm,5%,1/16W,TP,1005	1	SNA		FC08	2203-000233	C-CER,CHIP:0.1nF,5%,50V,C0G,TP,1005	1	SA	
DTR2	2007-001292	R-CHIP:33ohm,5%,1/16W,TP,1005	1	SNA		FC09	2203-002709	C-CER,CHIP:100nF,+80-20%,16V,Y5V,10	1	SA	
DTX	2801-004621	CRYSTAL-SMD;27MHz,15ppm,-14pF,30oh	1	SA		FC10	2203-005172	C-CER,CHIP:47nF,+80-20%,25V,Y5V,100	1	SNA	
DVDCN	3708-001935	CONNECTOR-PC/FPC/PIC;40P,0.5mm,SMD	1	SNA		FC11	2203-000254	C-CER,CHIP:10nF,10%,16V,X7R,TP,1005	1	SA	
DVIC	1205-001988	IC-DATA COMM/GEN.;TSB41AB1-PAP,QFP	1	SA		FC12	2203-002709	C-CER,CHIP:100nF,+80-20%,16V,Y5V,10	1	SA	
EC01	2203-005642	C-CER,CHIP:0.22nF,5%,50V,NP0,1005	1	SNA		FC13	2203-000254	C-CER,CHIP:10nF,10%,16V,X7R,TP,1005	1	SA	
EC02	2203-006562	C-CER,CHIP:100nF,10%,10V,X5R,TP,10	1	SNA		FC3	2203-006048	C-CER,CHIP:100nF,10%,10V,X7R,TP,100	1	SA	
EC05	2203-006048	C-CER,CHIP:100nF,10%,10V,X7R,TP,100	1	SA		FIC1	AK97-03188A	ASSY MICOM-FRONT;MICOM,DVD-SH895A,1	1	SNA	
EC06	2203-006048	C-CER,CHIP:100nF,10%,10V,X7R,TP,100	1	SA		FIC1	AK09-00184A	IC MICOM;uPD78F0526,ALVIS,52,5V,32	1	SNA	
EC07	2203-006048	C-CER,CHIP:100nF,10%,10V,X7R,TP,100	1	SA		FIC3	0801-002741	IC-CMOS LOGIC;4053,MUX,SSOP,16P,5X4	1	SA	
EC08	2203-006048	C-CER,CHIP:100nF,10%,10V,X7R,TP,100	1	SA		FIC5	0801-002097	IC-CMOS LOGIC;7ST08,AND GATE,SOP,5P	1	SNA	
EC09	2203-006048	C-CER,CHIP:100nF,10%,10V,X7R,TP,100	1	SA		FIC6	1103-000138	IC-EEPROM;24C16,16Kbit,2Kx8Bit,SOP	1	SA	
EC10	2203-006048	C-CER,CHIP:100nF,10%,10V,X7R,TP,100	1	SA		FL1	3301-001670	BEAD-SMD;60ohm,2012,3000mA,TP,,0.0	1	SA	
EC11	2203-006048	C-CER,CHIP:100nF,10%,10V,X7R,TP,100	1	SA		FQ1	0504-000129	TR-DIGITAL;KSR1104,NPN,200mW,47K/47	1	SA	
EC12	2203-006048	C-CER,CHIP:100nF,10%,10V,X7R,TP,100	1	SA		FQ2	0505-000110	FET-SILICON;2N7002,N,60V,115mA,7.5o	1	SA	
EC13	2203-006361	C-CER,CHIP:10000nF,10%,10V,X5R,TP,2	1	SC		FQ3	0505-000110	FET-SILICON;2N7002,N,60V,115mA,7.5o	1	SA	
EC14	2203-006048	C-CER,CHIP:100nF,10%,10V,X7R,TP,100	1	SA		FR02	2007-000140	R-CHIP:1Kohm,5%,1/16W,TP,1005	1	SNA	
ER01	2007-002970	R-CHIP:56ohm,5%,1/16W,TP,1005	1	SA		FR08	2007-000143	R-CHIP:4.7Kohm,5%,1/16W,TP,1005	1	SNA	
ER02	2007-002970	R-CHIP:56ohm,5%,1/16W,TP,1005	1	SA		FR09	2007-000143	R-CHIP:4.7Kohm,5%,1/16W,TP,1005	1	SNA	
ER03	2007-002970	R-CHIP:56ohm,5%,1/16W,TP,1005	1	SA		FR10	2007-000143	R-CHIP:4.7Kohm,5%,1/16W,TP,1005	1	SNA	
ER04	2007-002970	R-CHIP:56ohm,5%,1/16W,TP,1005	1	SA		FR11	2007-000143	R-CHIP:4.7Kohm,5%,1/16W,TP,1005	1	SNA	
ER05	2007-000144	R-CHIP:5.1Kohm,5%,1/16W,TP,1005	1	SA		FR12	2007-000140	R-CHIP:1Kohm,5%,1/16W,TP,1005	1	SNA	
ER06	2007-008391	R-CHIP:6.34Kohm,1%,1/16W,TP,1005	1	SA		FR13	2007-000138	R-CHIP:100ohm,5%,1/16W,TP,1005	1	SA	
ER07	2007-007009	R-CHIP:75ohm,5%,1/16W,TP,1005	1	SA		FR14	2007-000138	R-CHIP:100ohm,5%,1/16W,TP,1005	1	SA	
ER08	2007-000138	R-CHIP:100ohm,5%,1/16W,TP,1005	1	SA		FR17	2007-000140	R-CHIP:1Kohm,5%,1/16W,TP,1005	1	SNA	
ER09	2007-007015	R-CHIP:13Kohm,5%,1/16W,TP,1005	1	SNA		FR18	2007-000140	R-CHIP:1Kohm,5%,1/16W,TP,1005	1	SNA	
ER10	2007-000140	R-CHIP:1Kohm,5%,1/16W,TP,1005	1	SNA		FR19	2007-000140	R-CHIP:1Kohm,5%,1/16W,TP,1005	1	SNA	
ER11	2007-000148	R-CHIP:10Kohm,5%,1/16W,TP,1005	1	SA		FR20	2007-000140	R-CHIP:1Kohm,5%,1/16W,TP,1005	1	SNA	
ER12	2007-000148	R-CHIP:10Kohm,5%,1/16W,TP,1005	1	SA		FR22	2007-000138	R-CHIP:100ohm,5%,1/16W,TP,1005	1	SA	
ER13	2007-000148	R-CHIP:10Kohm,5%,1/16W,TP,1005	1	SA		FR27	2007-000174	R-CHIP:47ohm,5%,1/16W,TP,1005	1	SNA	
ER14	2007-000140	R-CHIP:1Kohm,5%,1/16W,TP,1005	1	SNA		FR30	2007-000143	R-CHIP:4.7Kohm,5%,1/16W,TP,1005	1	SNA	
ER15	2007-000140	R-CHIP:1Kohm,5%,1/16W,TP,1005	1	SNA		FR36	2007-000148	R-CHIP:10Kohm,5%,1/16W,TP,1005	1	SA	
ER16	2007-000140	R-CHIP:1Kohm,5%,1/16W,TP,1005	1	SNA		FR47	2007-000138	R-CHIP:100ohm,5%,1/16W,TP,1005	1	SA	
ER18	2007-000148	R-CHIP:10Kohm,5%,1/16W,TP,1005	1	SA		FR48	2007-000140	R-CHIP:1Kohm,5%,1/16W,TP,1005	1	SNA	
ER19	2007-000138	R-CHIP:100ohm,5%,1/16W,TP,1005	1	SA		FR55	2007-000138	R-CHIP:100ohm,5%,1/16W,TP,1005	1	SA	
						FR56	2007-000138	R-CHIP:100ohm,5%,1/16W,TP,1005	1	SA	

Loc.No	Parts No.	Description : Specification	Q'ty	S.N.A	Remark	Loc.No	Parts No.	Description : Specification	Q'ty	S.N.A	Remark
FR57	2007-000138	R-CHIP;100ohm,5%,1/16W,TP,1005	1	SA		HR31	2007-000143	R-CHIP;4.7Kohm,5%,1/16W,TP,1005	1	SNA	
FR59	2007-000148	R-CHIP;10Kohm,5%,1/16W,TP,1005	1	SA		HR32	2007-003019	R-CHIP;430ohm,5%,1/16W,TP,1005	1	SA	
FR60	2007-000148	R-CHIP;10Kohm,5%,1/16W,TP,1005	1	SA		HR33	2007-000148	R-CHIP;10Kohm,5%,1/16W,TP,1005	1	SA	
FR61	2007-000140	R-CHIP;1Kohm,5%,1/16W,TP,1005	1	SNA		HR34	2007-000143	R-CHIP;4.7Kohm,5%,1/16W,TP,1005	1	SNA	
FR62	2007-000142	R-CHIP;2.7Kohm,5%,1/16W,TP,1005	1	SNA		HR44	2007-007470	R-CHIP;7.5Kohm,1%,1/16W,TP,1005	1	SNA	
FR67	2007-000138	R-CHIP;100ohm,5%,1/16W,TP,1005	1	SA		HR45	2007-000140	R-CHIP;1Kohm,5%,1/16W,TP,1005	1	SNA	
FR77	2007-000143	R-CHIP;4.7Kohm,5%,1/16W,TP,1005	1	SNA		HR46	2007-000140	R-CHIP;1Kohm,5%,1/16W,TP,1005	1	SNA	
FR80	2007-000143	R-CHIP;4.7Kohm,5%,1/16W,TP,1005	1	SNA		HR47	2007-000143	R-CHIP;4.7Kohm,5%,1/16W,TP,1005	1	SNA	
FR82	2007-000143	R-CHIP;4.7Kohm,5%,1/16W,TP,1005	1	SNA		HR49	2007-000143	R-CHIP;4.7Kohm,5%,1/16W,TP,1005	1	SNA	
FR85	2007-000143	R-CHIP;4.7Kohm,5%,1/16W,TP,1005	1	SNA		HR51	2007-000152	R-CHIP;20Kohm,5%,1/16W,TP,1005	1	SNA	
FR86	2007-000143	R-CHIP;4.7Kohm,5%,1/16W,TP,1005	1	SNA		MC01	2203-006048	C-CER,CHIP;100nF,10%,10V,X7R,TP,100	1	SA	
FR87	2007-000173	R-CHIP;22ohm,5%,1/16W,TP,1005	1	SNA		MC02	2203-006048	C-CER,CHIP;100nF,10%,10V,X7R,TP,100	1	SA	
FR88	2007-000173	R-CHIP;22ohm,5%,1/16W,TP,1005	1	SNA		MC03	2203-006048	C-CER,CHIP;100nF,10%,10V,X7R,TP,100	1	SA	
FR89	2007-000143	R-CHIP;4.7Kohm,5%,1/16W,TP,1005	1	SNA		MC04	2203-006048	C-CER,CHIP;100nF,10%,10V,X7R,TP,100	1	SA	
FR90	2007-000143	R-CHIP;4.7Kohm,5%,1/16W,TP,1005	1	SNA		MC05	2203-006048	C-CER,CHIP;100nF,10%,10V,X7R,TP,100	1	SA	
FVR1	2007-000148	R-CHIP;10Kohm,5%,1/16W,TP,1005	1	SA		MC06	2203-006048	C-CER,CHIP;100nF,10%,10V,X7R,TP,100	1	SA	
FX2	2801-004146	CRYSTAL-SMD;20MHz,30ppm,SX-3,18pF,3	1	SA		MC07	2203-006048	C-CER,CHIP;100nF,10%,10V,X7R,TP,100	1	SA	
HC01	2203-006048	C-CER,CHIP;100nF,10%,10V,X7R,TP,100	1	SA		MC08	2203-006048	C-CER,CHIP;100nF,10%,10V,X7R,TP,100	1	SA	
HC02	2203-006048	C-CER,CHIP;100nF,10%,10V,X7R,TP,100	1	SA		MC09	2203-006048	C-CER,CHIP;100nF,10%,10V,X7R,TP,100	1	SA	
HC03	2203-006048	C-CER,CHIP;100nF,10%,10V,X7R,TP,100	1	SA		MC10	2203-006048	C-CER,CHIP;100nF,10%,10V,X7R,TP,100	1	SA	
HC04	2203-006048	C-CER,CHIP;100nF,10%,10V,X7R,TP,100	1	SA		MC11	2203-000254	C-CER,CHIP;10nF,10%,16V,X7R,TP,1005	1	SA	
HC05	2203-000254	C-CER,CHIP;10nF,10%,16V,X7R,TP,1005	1	SA		MC12	2203-000254	C-CER,CHIP;10nF,10%,16V,X7R,TP,1005	1	SA	
HC06	2203-006048	C-CER,CHIP;100nF,10%,10V,X7R,TP,100	1	SA		MC13	2203-000254	C-CER,CHIP;10nF,10%,16V,X7R,TP,1005	1	SA	
HC07	2203-006048	C-CER,CHIP;100nF,10%,10V,X7R,TP,100	1	SA		MC14	2203-000254	C-CER,CHIP;10nF,10%,16V,X7R,TP,1005	1	SA	
HC21	2203-006048	C-CER,CHIP;100nF,10%,10V,X7R,TP,100	1	SA		MC15	2203-000254	C-CER,CHIP;10nF,10%,16V,X7R,TP,1005	1	SA	
HC22	2203-006048	C-CER,CHIP;100nF,10%,10V,X7R,TP,100	1	SA		MC16	2203-000254	C-CER,CHIP;10nF,10%,16V,X7R,TP,1005	1	SA	
HC23	2203-006048	C-CER,CHIP;100nF,10%,10V,X7R,TP,100	1	SA		MC17	2203-000254	C-CER,CHIP;10nF,10%,16V,X7R,TP,1005	1	SA	
HC24	2203-006048	C-CER,CHIP;100nF,10%,10V,X7R,TP,100	1	SA		MC18	2203-000254	C-CER,CHIP;10nF,10%,16V,X7R,TP,1005	1	SA	
HC25	2203-006048	C-CER,CHIP;100nF,10%,10V,X7R,TP,100	1	SA		MC19	2203-000254	C-CER,CHIP;10nF,10%,16V,X7R,TP,1005	1	SA	
HC26	2203-006048	C-CER,CHIP;100nF,10%,10V,X7R,TP,100	1	SA		MC20	2203-000254	C-CER,CHIP;10nF,10%,16V,X7R,TP,1005	1	SA	
HC27	2203-006048	C-CER,CHIP;100nF,10%,10V,X7R,TP,100	1	SA		MC21	2203-000254	C-CER,CHIP;10nF,10%,16V,X7R,TP,1005	1	SA	
HE1	2203-006474	C-CER,CHIP;22000nF,20%,6.3V,X5R,201	1	SA		MC22	2203-000254	C-CER,CHIP;10nF,10%,16V,X7R,TP,1005	1	SA	
HE2	2203-006361	C-CER,CHIP;10000nF,10%,10V,X5R,TP,2	1	SC		MC23	2203-006048	C-CER,CHIP;100nF,10%,10V,X7R,TP,100	1	SA	
HE3	2203-006361	C-CER,CHIP;10000nF,10%,10V,X5R,TP,2	1	SC		MC31	2203-006048	C-CER,CHIP;100nF,10%,10V,X7R,TP,100	1	SA	
HE4	2203-006474	C-CER,CHIP;22000nF,20%,6.3V,X5R,201	1	SA		MC32	2203-006048	C-CER,CHIP;100nF,10%,10V,X7R,TP,100	1	SA	
HIC1	1205-003808	IC-TRANSMITTER;SI9002CSU,TSSOP,48P	1	SNA		MC33	2203-006048	C-CER,CHIP;100nF,10%,10V,X7R,TP,100	1	SA	
HL01	3301-001670	BEAD-SMD;60ohm,2012,3000mA,TP,,,0,0	1	SA		MC34	2203-006048	C-CER,CHIP;100nF,10%,10V,X7R,TP,100	1	SA	
HL02	3301-001670	BEAD-SMD;60ohm,2012,3000mA,TP,,,0,0	1	SA		MC35	2203-006048	C-CER,CHIP;100nF,10%,10V,X7R,TP,100	1	SA	
HL03	3301-001670	BEAD-SMD;60ohm,2012,3000mA,TP,,,0,0	1	SA		MC36	2203-006048	C-CER,CHIP;100nF,10%,10V,X7R,TP,100	1	SA	
HL04	3301-001670	BEAD-SMD;60ohm,2012,3000mA,TP,,,0,0	1	SA		MC37	2203-006048	C-CER,CHIP;100nF,10%,10V,X7R,TP,100	1	SA	
HL05	3301-001670	BEAD-SMD;60ohm,2012,3000mA,TP,,,0,0	1	SA		MC38	2203-006048	C-CER,CHIP;100nF,10%,10V,X7R,TP,100	1	SA	
HQ1	0505-000110	FET-SILICON;2N7002,N,60V,115mA,7.5o	1	SA		MC39	2203-006048	C-CER,CHIP;100nF,10%,10V,X7R,TP,100	1	SA	
HQ2	0505-000110	FET-SILICON;2N7002,N,60V,115mA,7.5o	1	SA		MC40	2203-006048	C-CER,CHIP;100nF,10%,10V,X7R,TP,100	1	SA	
HR01	2007-001292	R-CHIP;33ohm,5%,1/16W,TP,1005	1	SNA		MC41	2203-000254	C-CER,CHIP;10nF,10%,16V,X7R,TP,1005	1	SA	
HR02	2007-001292	R-CHIP;33ohm,5%,1/16W,TP,1005	1	SNA		MC42	2203-000254	C-CER,CHIP;10nF,10%,16V,X7R,TP,1005	1	SA	
HR03	2007-001292	R-CHIP;33ohm,5%,1/16W,TP,1005	1	SNA		MC43	2203-000254	C-CER,CHIP;10nF,10%,16V,X7R,TP,1005	1	SA	
HR04	2007-001292	R-CHIP;33ohm,5%,1/16W,TP,1005	1	SNA		MC44	2203-000254	C-CER,CHIP;10nF,10%,16V,X7R,TP,1005	1	SA	
HR05	2007-001292	R-CHIP;33ohm,5%,1/16W,TP,1005	1	SNA		MC45	2203-000254	C-CER,CHIP;10nF,10%,16V,X7R,TP,1005	1	SA	
HR06	2007-001292	R-CHIP;33ohm,5%,1/16W,TP,1005	1	SNA		MC57	2203-006048	C-CER,CHIP;100nF,10%,10V,X7R,TP,100	1	SA	
HR07	2007-001292	R-CHIP;33ohm,5%,1/16W,TP,1005	1	SNA		MC58	2203-006048	C-CER,CHIP;100nF,10%,10V,X7R,TP,100	1	SA	
HR08	2007-001292	R-CHIP;33ohm,5%,1/16W,TP,1005	1	SNA		MC59	2203-006361	C-CER,CHIP;10000nF,10%,10V,X5R,TP,2	1	SC	
HR09	2007-001292	R-CHIP;33ohm,5%,1/16W,TP,1005	1	SNA		MC62	2203-006048	C-CER,CHIP;100nF,10%,10V,X7R,TP,100	1	SA	
HR10	2007-001292	R-CHIP;33ohm,5%,1/16W,TP,1005	1	SNA		MC63	2203-006048	C-CER,CHIP;100nF,10%,10V,X7R,TP,100	1	SA	
HR11	2007-001292	R-CHIP;33ohm,5%,1/16W,TP,1005	1	SNA		MC64	2203-006048	C-CER,CHIP;100nF,10%,10V,X7R,TP,100	1	SA	
HR12	2007-001292	R-CHIP;33ohm,5%,1/16W,TP,1005	1	SNA		MC65	2203-006048	C-CER,CHIP;100nF,10%,10V,X7R,TP,100	1	SA	
HR21	2007-000729	R-CHIP;300ohm,5%,1/10W,TP,1608	1	SNA		MC71	2203-000254	C-CER,CHIP;10nF,10%,16V,X7R,TP,1005	1	SA	
HR22	2007-000729	R-CHIP;300ohm,5%,1/10W,TP,1608	1	SNA		MC72	2203-006048	C-CER,CHIP;100nF,10%,10V,X7R,TP,100	1	SA	
HR23	2007-000729	R-CHIP;300ohm,5%,1/10W,TP,1608	1	SNA		MC73	2203-006048	C-CER,CHIP;100nF,10%,10V,X7R,TP,100	1	SA	
HR24	2007-000729	R-CHIP;300ohm,5%,1/10W,TP,1608	1	SNA		MC74	2203-006048	C-CER,CHIP;100nF,10%,10V,X7R,TP,100	1	SA	
HR25	2007-000242	R-CHIP;1.5Kohm,5%,1/16W,TP,1005	1	SNA		MC75	2203-006048	C-CER,CHIP;100nF,10%,10V,X7R,TP,100	1	SA	
HR26	2007-001292	R-CHIP;33ohm,5%,1/16W,TP,1005	1	SNA		MC76	2203-006048	C-CER,CHIP;100nF,10%,10V,X7R,TP,100	1	SA	
HR27	2007-000242	R-CHIP;1.5Kohm,5%,1/16W,TP,1005	1	SNA		MC77	2203-006048	C-CER,CHIP;100nF,10%,10V,X7R,TP,100	1	SA	
HR28	2007-001292	R-CHIP;33ohm,5%,1/16W,TP,1005	1	SNA		MC78	2203-006048	C-CER,CHIP;100nF,10%,10V,X7R,TP,100	1	SA	

Exploded Views and Parts List

Loc.No	Parts No.	Description : Specification	Q'ty	S.N.A	Remark	Loc.No	Parts No.	Description : Specification	Q'ty	S.N.A	Remark
MC79	2203-006048	C-CER,CHIP;100nF,10%,10V,X7R,TP,100	1	SA		MR52	2007-000231	R-CHIP;1.3Kohm,1%,1/10W,TP,1608	1	SA	
MC80	2203-006048	C-CER,CHIP;100nF,10%,10V,X7R,TP,100	1	SA		MR53	2007-000072	R-CHIP;47ohm,5%,1/10W,TP,1608	1	SNA	
MC81	2203-002709	C-CER,CHIP;100nF,+80-20%,16V,Y5V,10	1	SA		MR55	2007-000148	R-CHIP;10Kohm,5%,1/16W,TP,1005	1	SA	
MC82	2203-002709	C-CER,CHIP;100nF,+80-20%,16V,Y5V,10	1	SA		MR56	2007-001292	R-CHIP;33ohm,5%,1/16W,TP,1005	1	SNA	
MC83	2203-001201	C-CER,CHIP;0.007nF,0.5pF,50V,NP0,TP	1	SA		MR61	2007-000143	R-CHIP;4.7Kohm,5%,1/16W,TP,1005	1	SNA	
MC84	2203-001201	C-CER,CHIP;0.007nF,0.5pF,50V,NP0,TP	1	SA		MR62	2007-000138	R-CHIP;100ohm,5%,1/16W,TP,1005	1	SA	
MC85	2203-000254	C-CER,CHIP;10nF,10%,16V,X7R,TP,1005	1	SA		MR63	2007-000143	R-CHIP;4.7Kohm,5%,1/16W,TP,1005	1	SNA	
MC96	2203-006048	C-CER,CHIP;100nF,10%,10V,X7R,TP,100	1	SA		MR64	2007-000138	R-CHIP;100ohm,5%,1/16W,TP,1005	1	SA	
MC97	2203-000254	C-CER,CHIP;10nF,10%,16V,X7R,TP,1005	1	SA		MR67	2007-008015	R-CHIP;75ohm,1%,1/16W,TP,1005	1	SNA	
ME1	2203-006361	C-CER,CHIP;10000nF,10%,10V,X5R,TP,2	1	SC		MR68	2007-008015	R-CHIP;75ohm,1%,1/16W,TP,1005	1	SNA	
ME2	2203-006361	C-CER,CHIP;10000nF,10%,10V,X5R,TP,2	1	SC		MR69	2007-008015	R-CHIP;75ohm,1%,1/16W,TP,1005	1	SNA	
ME3	2203-006361	C-CER,CHIP;10000nF,10%,10V,X5R,TP,2	1	SC		MR72	2007-000140	R-CHIP;1Kohm,5%,1/16W,TP,1005	1	SNA	
ME4	2203-006361	C-CER,CHIP;10000nF,10%,10V,X5R,TP,2	1	SC		MR73	2007-000140	R-CHIP;1Kohm,5%,1/16W,TP,1005	1	SNA	
ME5	2203-006361	C-CER,CHIP;10000nF,10%,10V,X5R,TP,2	1	SC		MR74	2007-000140	R-CHIP;1Kohm,5%,1/16W,TP,1005	1	SNA	
ME6	2203-006361	C-CER,CHIP;10000nF,10%,10V,X5R,TP,2	1	SC		MR75	2007-000140	R-CHIP;1Kohm,5%,1/16W,TP,1005	1	SNA	
ME7	2203-006361	C-CER,CHIP;10000nF,10%,10V,X5R,TP,2	1	SC		MR76	2007-000074	R-CHIP;100ohm,5%,1/10W,TP,1608	1	SA	
MIC1	1204-003045	IC-ENCODER/DECODER;MS8510-CBG,PBGA,	1	SNA		MR77	2007-000074	R-CHIP;100ohm,5%,1/10W,TP,1608	1	SA	
ML01	3301-001670	BEAD-SMD;60ohm,2012,3000mA,TP,,0,0	1	SA		MR78	2007-000074	R-CHIP;100ohm,5%,1/10W,TP,1608	1	SA	
ML02	3301-001670	BEAD-SMD;60ohm,2012,3000mA,TP,,0,0	1	SA		MR79	2007-000074	R-CHIP;100ohm,5%,1/10W,TP,1608	1	SA	
ML03	3301-001670	BEAD-SMD;60ohm,2012,3000mA,TP,,0,0	1	SA		MR80	2007-001292	R-CHIP;33ohm,5%,1/16W,TP,1005	1	SNA	
MR01	2007-000074	R-CHIP;100ohm,5%,1/10W,TP,1608	1	SA		MR81	2007-001292	R-CHIP;33ohm,5%,1/16W,TP,1005	1	SNA	
MR02	2007-000074	R-CHIP;100ohm,5%,1/10W,TP,1608	1	SA		MR82	2007-001292	R-CHIP;33ohm,5%,1/16W,TP,1005	1	SNA	
MR04	2007-007525	R-CHIP;3.4Kohm,1%,1/10W,TP,1608	1	SNA		MR84	2007-000148	R-CHIP;10Kohm,5%,1/16W,TP,1005	1	SA	
MR05	2007-000143	R-CHIP;4.7Kohm,5%,1/16W,TP,1005	1	SNA		MR85	2007-000148	R-CHIP;10Kohm,5%,1/16W,TP,1005	1	SA	
MR07	2007-007798	R-CHIP;1ohm,1%,1/16W,TP,1005	1	SA		MR95	2007-000140	R-CHIP;1Kohm,5%,1/16W,TP,1005	1	SNA	
MR08	2007-001307	R-CHIP;180ohm,5%,1/16W,TP,1005	1	SNA		MUIC1	1001-001561	IC-AV SWITCH;MM1763A;UBE,SSOP,42P,17	1	SNA	
MR09	2007-000148	R-CHIP;10Kohm,5%,1/16W,TP,1005	1	SA		OPJ	3707-001070	CONNECTOR-OPTICAL;PLUG,GP1FA550TZ,6	1	SA	
MR10	2007-000138	R-CHIP;100ohm,5%,1/16W,TP,1005	1	SA		PC01	2203-000189	C-CER,CHIP;100nF,+80-20%,25V,Y5V,TP	1	SNA	
MR11	2007-000174	R-CHIP;47ohm,5%,1/16W,TP,1005	1	SNA		PC02	2203-000189	C-CER,CHIP;100nF,+80-20%,25V,Y5V,TP	1	SNA	
MR12	2007-000174	R-CHIP;47ohm,5%,1/16W,TP,1005	1	SNA		PC03	2203-006361	C-CER,CHIP;10000nF,10%,10V,X5R,TP,2	1	SC	
MR13	2007-000143	R-CHIP;4.7Kohm,5%,1/16W,TP,1005	1	SNA		PC04	2203-006361	C-CER,CHIP;10000nF,10%,10V,X5R,TP,2	1	SC	
MR14	2007-000138	R-CHIP;100ohm,5%,1/16W,TP,1005	1	SA		PC05	2203-006336	C-CER,CHIP;10000nF,10%,25V,X5R,3216	1	SA	
MR15	2007-000143	R-CHIP;4.7Kohm,5%,1/16W,TP,1005	1	SNA		PC06	2203-006336	C-CER,CHIP;10000nF,10%,25V,X5R,3216	1	SA	
MR16	2007-000138	R-CHIP;100ohm,5%,1/16W,TP,1005	1	SA		PC07	2203-002709	C-CER,CHIP;100nF,+80-20%,16V,Y5V,10	1	SA	
MR17	2007-000148	R-CHIP;10Kohm,5%,1/16W,TP,1005	1	SA		PC08	2203-006048	C-CER,CHIP;100nF,10%,10V,X7R,TP,100	1	SA	
MR18	2007-000242	R-CHIP;1.5Kohm,5%,1/16W,TP,1005	1	SNA		PC09	2203-006361	C-CER,CHIP;10000nF,10%,10V,X5R,TP,2	1	SC	
MR19	2007-000140	R-CHIP;1Kohm,5%,1/16W,TP,1005	1	SNA		PC31	2203-006336	C-CER,CHIP;10000nF,10%,25V,X5R,3216	1	SA	
MR21	2007-008015	R-CHIP;75ohm,1%,1/16W,TP,1005	1	SNA		PC32	2203-000189	C-CER,CHIP;100nF,+80-20%,25V,Y5V,TP	1	SNA	
MR22	2007-008015	R-CHIP;75ohm,1%,1/16W,TP,1005	1	SNA		PC33	2203-000440	C-CER,CHIP;1nF,10%,50V,X7R,TP,1608	1	SA	
MR23	2007-008015	R-CHIP;75ohm,1%,1/16W,TP,1005	1	SNA		PC34	2203-000440	C-CER,CHIP;1nF,10%,50V,X7R,TP,1608	1	SA	
MR27	2007-008015	R-CHIP;75ohm,1%,1/16W,TP,1005	1	SNA		PC36	2203-006474	C-CER,CHIP;22000nF,20%,6.3V,X5R,201	1	SA	
MR28	2007-008015	R-CHIP;75ohm,1%,1/16W,TP,1005	1	SNA		PC37	2203-006474	C-CER,CHIP;22000nF,20%,6.3V,X5R,201	1	SA	
MR29	2007-008015	R-CHIP;75ohm,1%,1/16W,TP,1005	1	SNA		PC41	2203-006336	C-CER,CHIP;10000nF,10%,25V,X5R,3216	1	SA	
MR31	2007-001292	R-CHIP;33ohm,5%,1/16W,TP,1005	1	SNA		PC42	2203-000189	C-CER,CHIP;100nF,+80-20%,25V,Y5V,TP	1	SNA	
MR32	2007-001292	R-CHIP;33ohm,5%,1/16W,TP,1005	1	SNA		PC43	2203-000440	C-CER,CHIP;1nF,10%,50V,X7R,TP,1608	1	SA	
MR33	2007-001292	R-CHIP;33ohm,5%,1/16W,TP,1005	1	SNA		PC44	2203-000440	C-CER,CHIP;1nF,10%,50V,X7R,TP,1608	1	SA	
MR34	2007-001292	R-CHIP;33ohm,5%,1/16W,TP,1005	1	SNA		PC45	2203-006474	C-CER,CHIP;22000nF,20%,6.3V,X5R,201	1	SA	
MR35	2007-001292	R-CHIP;33ohm,5%,1/16W,TP,1005	1	SNA		PC46	2203-002709	C-CER,CHIP;100nF,+80-20%,16V,Y5V,10	1	SA	
MR36	2007-001292	R-CHIP;33ohm,5%,1/16W,TP,1005	1	SNA		PC47	2203-006361	C-CER,CHIP;10000nF,10%,10V,X5R,TP,2	1	SC	
MR37	2007-000143	R-CHIP;4.7Kohm,5%,1/16W,TP,1005	1	SNA		PC48	2203-002709	C-CER,CHIP;100nF,+80-20%,16V,Y5V,10	1	SA	
MR38	2007-000143	R-CHIP;4.7Kohm,5%,1/16W,TP,1005	1	SNA		PC50	2203-006361	C-CER,CHIP;10000nF,10%,10V,X5R,TP,2	1	SC	
MR39	2007-000143	R-CHIP;4.7Kohm,5%,1/16W,TP,1005	1	SNA		PC51	2203-002709	C-CER,CHIP;100nF,+80-20%,16V,Y5V,10	1	SA	
MR40	2007-000143	R-CHIP;4.7Kohm,5%,1/16W,TP,1005	1	SNA		PC52	2203-006361	C-CER,CHIP;10000nF,10%,10V,X5R,TP,2	1	SC	
MR41	2007-000171	R-CHIP;0ohm,5%,1/16W,TP,1005	1	SNA		PC53	2203-002709	C-CER,CHIP;100nF,+80-20%,16V,Y5V,10	1	SA	
MR42	2007-000143	R-CHIP;4.7Kohm,5%,1/16W,TP,1005	1	SNA		PC54	2203-005065	C-CER,CHIP;1000nF,+80-20%,10V,Y5V,1	1	SNA	
MR43	2007-000171	R-CHIP;0ohm,5%,1/16W,TP,1005	1	SNA		PC55	2203-005065	C-CER,CHIP;1000nF,+80-20%,10V,Y5V,1	1	SNA	
MR44	2007-000143	R-CHIP;4.7Kohm,5%,1/16W,TP,1005	1	SNA		PCB	AK41-00925A	PCB MAIN-01;DVD-SH895A,FR-4,4,00,T1	0.5	SNA	
MR45	2007-000143	R-CHIP;4.7Kohm,5%,1/16W,TP,1005	1	SNA		PIC1	0505-001170	FET-SILICON;FDS9933A,P-,20V,3.8A,0.	1	SA	
MR46	2007-000173	R-CHIP;22ohm,5%,1/16W,TP,1005	1	SNA		PIC2	1203-005538	IC-DC/DC CONVERTER;AOZ1021HAIL,SOP,	1	SA	
MR47	2007-000173	R-CHIP;22ohm,5%,1/16W,TP,1005	1	SNA		PIC3	1203-005538	IC-DC/DC CONVERTER;AOZ1021HAIL,SOP,	1	SA	
MR48	2007-000173	R-CHIP;22ohm,5%,1/16W,TP,1005	1	SNA		PL1	3301-001670	BEAD-SMD;60ohm,2012,3000mA,TP,,0,0	1	SA	
MR49	2007-000148	R-CHIP;10Kohm,5%,1/16W,TP,1005	1	SA		PL2	3301-001670	BEAD-SMD;60ohm,2012,3000mA,TP,,0,0	1	SA	
MR50	2007-000148	R-CHIP;10Kohm,5%,1/16W,TP,1005	1	SA		PL3	3301-001670	BEAD-SMD;60ohm,2012,3000mA,TP,,0,0	1	SA	
MR51	2007-000231	R-CHIP;1.3Kohm,1%,1/10W,TP,1608	1	SA							

Loc.No	Parts No.	Description : Specification	Q'ty	S.N.A	Remark	Loc.No	Parts No.	Description : Specification	Q'ty	S.N.A	Remark
PL31	2703-003248	INDUCTOR-SMD;8.2uH,20%,7272	1	SA		SC19	2203-006361	C-CER,CHIP;10000nF,10%,10V,X5R,TP,2	1	SA	
PL4	3301-001670	BEAD-SMD;60ohm,2012,3000mA,TP,,0,0	1	SA		SC20	2203-006336	C-CER,CHIP;10000nF,10%,25V,X5R,3216	1	SA	
PL41	2703-003362	INDUCTOR-SMD;4.7uH,20%,7070	1	SA		SC22	2203-006361	C-CER,CHIP;10000nF,10%,10V,X5R,TP,2	1	SA	
PQ01	0501-002080	TR-SMALL SIGNAL;2SC2412K,NPN,200mW,	1	SA		SC23	2203-006361	C-CER,CHIP;10000nF,10%,10V,X5R,TP,2	1	SA	
PQ02	0501-002080	TR-SMALL SIGNAL;2SC2412K,NPN,200mW,	1	SA		SC24	2203-002709	C-CER,CHIP;100nF,+80-20%,16V,Y5V,10	1	SA	
PQ4	0501-000341	TR-SMALL SIGNAL;KSC1623-L,NPN,200mW	1	SA		SC25	2203-006333	C-CER,CHIP;10000nF,20%,16V,X5R,TP,3	1	SNA	
PQ5	0504-000152	TR-DIGITAL;KSR2101,PNP,200mW,4.7K/4	1	SA		SC26	2203-002525	C-CER,CHIP;0.56nF,10%,50V,X7R,TP,10	1	SNA	
PQ6	0501-000341	TR-SMALL SIGNAL;KSC1623-L,NPN,200mW	1	SA		SC27	2203-001239	C-CER,CHIP;0.82nF,5%,50V,NP0,TP,100	1	SNA	
PR01	2007-000097	R-CHIP;47Kohm,5%,1/10W,TP,1608	1	SA		SC28	2203-006560	C-CER,CHIP;22000nF,10%,10V,X5R,3225	1	SA	
PR02	2007-000097	R-CHIP;47Kohm,5%,1/10W,TP,1608	1	SA		SC29	2203-006333	C-CER,CHIP;10000nF,20%,16V,X5R,TP,3	1	SNA	
PR03	2007-000148	R-CHIP;10Kohm,5%,1/16W,TP,1005	1	SA		SC30	2203-002525	C-CER,CHIP;0.56nF,10%,50V,X7R,TP,10	1	SNA	
PR04	2007-000148	R-CHIP;10Kohm,5%,1/16W,TP,1005	1	SA		SC31	2203-001239	C-CER,CHIP;0.82nF,5%,50V,NP0,TP,100	1	SNA	
PR05	2007-000084	R-CHIP;4.7Kohm,5%,1/10W,TP,1608	1	SA		SC32	2203-006336	C-CER,CHIP;10000nF,10%,25V,X5R,3216	1	SA	
PR06	2007-000140	R-CHIP;1Kohm,5%,1/16W,TP,1005	1	SNA		SC34	2203-006562	C-CER,CHIP;1000nF,10%,10V,X5R,TP,10	1	SNA	
PR09	2007-007156	R-CHIP;1ohm,5%,1/16W,TP,1005	1	SNA		SC35	2203-000489	C-CER,CHIP;2.2nF,10%,50V,X7R,TP,100	1	SA	
PR10	2007-007156	R-CHIP;1ohm,5%,1/16W,TP,1005	1	SNA		SC36	2203-000254	C-CER,CHIP;10nF,10%,16V,X7R,TP,1005	1	SA	
PR11	2007-000097	R-CHIP;47Kohm,5%,1/10W,TP,1608	1	SA		SC37	2203-006047	C-CER,CHIP;33nF,10%,16V,X7R,1005	1	SA	
PR12	2007-000097	R-CHIP;47Kohm,5%,1/10W,TP,1608	1	SA		SC39	2203-002709	C-CER,CHIP;100nF,+80-20%,16V,Y5V,10	1	SA	
PR13	2007-000148	R-CHIP;10Kohm,5%,1/16W,TP,1005	1	SA		SD1	0407-000114	DIODE-SWITCHING;KDS184,80V,100mA,SO	1	SNA	
PR14	2007-000148	R-CHIP;10Kohm,5%,1/16W,TP,1005	1	SA		SD2	0407-000114	DIODE-SWITCHING;KDS184,80V,100mA,SO	1	SNA	
PR15	2007-000084	R-CHIP;4.7Kohm,5%,1/10W,TP,1608	1	SA		SE01	2203-006560	C-CER,CHIP;22000nF,10%,10V,X5R,3225	1	SA	
PR16	2007-000140	R-CHIP;1Kohm,5%,1/16W,TP,1005	1	SNA		SE02	2203-006560	C-CER,CHIP;22000nF,10%,10V,X5R,3225	1	SA	
PR17	2007-000140	R-CHIP;1Kohm,5%,1/16W,TP,1005	1	SNA		SE03	2203-006361	C-CER,CHIP;10000nF,10%,10V,X5R,TP,2	1	SA	
PR31	2007-000066	R-CHIP;20Kohm,1%,1/10W,TP,1608	1	SNA		SE04	2203-006361	C-CER,CHIP;10000nF,10%,10V,X5R,TP,2	1	SA	
PR32	2007-000651	R-CHIP;27Kohm,1%,1/10W,TP,1608	1	SA		SIC2	1201-000163	IC-OP AMP;4560,SOP,8P,173ML,DUAL,1	1	SA	
PR33	2007-000869	R-CHIP;4.7Kohm,1%,1/10W,TP,1608	1	SA		SL1	3301-001670	BEAD-SMD;60ohm,2012,3000mA,TP,,0,0	1	SA	
PR34	2007-000052	R-CHIP;10Kohm,1%,1/10W,TP,1608	1	SA		SL2	3301-001670	BEAD-SMD;60ohm,2012,3000mA,TP,,0,0	1	SA	
PR35	2007-000140	R-CHIP;1Kohm,5%,1/16W,TP,1005	1	SNA		SL3	3301-001670	BEAD-SMD;60ohm,2012,3000mA,TP,,0,0	1	SA	
PR40	2007-000090	R-CHIP;10Kohm,5%,1/10W,TP,1608	1	SA		SQ1	0501-000341	TR-SMALL SIGNAL;KSC1623-L,NPN,200mW	1	SA	
PR41	2007-000124	R-CHIP;2.2Kohm,5%,1/10W,TP,1608	1	SNA		SQ2	0501-000002	TR-SMALL SIGNAL;KSA812,PNP,150mW,SO	1	SNA	
PR42	2007-000124	R-CHIP;2.2Kohm,5%,1/10W,TP,1608	1	SNA		SQ3	0501-000002	TR-SMALL SIGNAL;KSA812,PNP,150mW,SO	1	SNA	
PR43	2007-000312	R-CHIP;10ohm,5%,1/4W,TP,3216	1	SA		SQ4	0501-000341	TR-SMALL SIGNAL;KSC1623-L,NPN,200mW	1	SA	
PR51	2007-000066	R-CHIP;20Kohm,1%,1/10W,TP,1608	1	SNA		SR01	2007-007001	R-CHIP;3.9Kohm,5%,1/16W,TP,1005	1	SA	
PR52	2007-000516	R-CHIP;2.7Kohm,1%,1/10W,TP,1608	1	SNA		SR02	2007-007132	R-CHIP;15Kohm,1%,1/16W,TP,1005	1	SA	
PR53	2007-000052	R-CHIP;10Kohm,1%,1/10W,TP,1608	1	SA		SR03	2007-007316	R-CHIP;3.3Kohm,1%,1/16W,TP,1005	1	SNA	
PR55	2007-000140	R-CHIP;1Kohm,5%,1/16W,TP,1005	1	SNA		SR04	2007-000148	R-CHIP;10Kohm,5%,1/16W,TP,1005	1	SA	
PR56	2007-000148	R-CHIP;10Kohm,5%,1/16W,TP,1005	1	SA		SR05	2007-000148	R-CHIP;10Kohm,5%,1/16W,TP,1005	1	SA	
PR58	2007-007137	R-CHIP;1.2Kohm,1%,1/16W,TP,1005	1	SA		SR06	2007-007001	R-CHIP;3.9Kohm,5%,1/16W,TP,1005	1	SA	
PR59	2007-007697	R-CHIP;2.4Kohm,1%,1/16W,TP,1005	1	SNA		SR07	2007-007132	R-CHIP;15Kohm,1%,1/16W,TP,1005	1	SA	
PR61	2007-000208	R-CHIP;1.1Kohm,1%,1/10W,TP,1608	1	SA		SR08	2007-007316	R-CHIP;3.3Kohm,1%,1/16W,TP,1005	1	SNA	
PR62	2007-000683	R-CHIP;3.3Kohm,1%,1/10W,TP,1608	1	SA		SR12	2007-000148	R-CHIP;10Kohm,5%,1/16W,TP,1005	1	SA	
PR63	2007-000052	R-CHIP;10Kohm,1%,1/10W,TP,1608	1	SA		SR13	2007-000142	R-CHIP;2.7Kohm,5%,1/16W,TP,1005	1	SNA	
RC05	2203-006361	C-CER,CHIP;1000nF,10%,10V,X5R,TP,2	1	SA		SR14	2007-000157	R-CHIP;47Kohm,5%,1/16W,TP,1005	1	SNA	
RC06	2203-002709	C-CER,CHIP;100nF,+80-20%,16V,Y5V,10	1	SA		SR16	2007-000148	R-CHIP;10Kohm,5%,1/16W,TP,1005	1	SA	
RIC1	1203-001006	IC-POSI.FIXED REG.;78R05,TO-220F,4P	1	SA		SR17	2007-000148	R-CHIP;10Kohm,5%,1/16W,TP,1005	1	SA	
RIC2	1203-003703	IC-POSI.FIXED REG.;AP1117E-18A,SOT-	1	SA		SR18	2007-000242	R-CHIP;1.5Kohm,5%,1/16W,TP,1005	1	SNA	
RIC3	1203-005756	IC-POSI.ADJ.JUST REG.;AP7173-SP,SOP-8	1	SA		SR19	2007-000170	R-CHIP;1Mohm,5%,1/16W,TP,1005	1	SNA	
RIC4	1203-005903	IC-MULTI REG.;CM3302-02DE,TDFN,8P,3	1	SNA		SR20	2007-000143	R-CHIP;4.7Kohm,5%,1/16W,TP,1005	1	SNA	
SATACO 3711-006947	CONNECTOR-HEADER;1WALL,7P,1R,1.27mm	1	SNA		SR22	2007-000143	R-CHIP;4.7Kohm,5%,1/16W,TP,1005	1	SNA		
SC01	2203-006562	C-CER,CHIP;1000nF,10%,10V,X5R,TP,10	1	SNA		SR23	2007-000242	R-CHIP;1.5Kohm,5%,1/16W,TP,1005	1	SNA	
SC02	2203-006562	C-CER,CHIP;1000nF,10%,10V,X5R,TP,10	1	SNA		SR28	2007-000139	R-CHIP;220ohm,5%,1/16W,TP,1005	1	SNA	
SC03	2203-006562	C-CER,CHIP;1000nF,10%,10V,X5R,TP,10	1	SNA		SR29	2007-000139	R-CHIP;220ohm,5%,1/16W,TP,1005	1	SNA	
SC04	2203-002709	C-CER,CHIP;100nF,+80-20%,16V,Y5V,10	1	SA		SR30	2007-000154	R-CHIP;24Kohm,5%,1/16W,TP,1005	1	SA	
SC05	2203-006562	C-CER,CHIP;1000nF,10%,10V,X5R,TP,10	1	SNA		SR31	2007-000154	R-CHIP;24Kohm,5%,1/16W,TP,1005	1	SA	
SC06	2203-006562	C-CER,CHIP;1000nF,10%,10V,X5R,TP,10	1	SNA		SR32	2007-000143	R-CHIP;4.7Kohm,5%,1/16W,TP,1005	1	SNA	
SC07	2203-002709	C-CER,CHIP;100nF,+80-20%,16V,Y5V,10	1	SA		SR33	2007-000157	R-CHIP;47Kohm,5%,1/16W,TP,1005	1	SNA	
SC08	2203-006562	C-CER,CHIP;1000nF,10%,10V,X5R,TP,10	1	SNA		SR34	2007-000143	R-CHIP;4.7Kohm,5%,1/16W,TP,1005	1	SNA	
SC09	2203-006562	C-CER,CHIP;1000nF,10%,10V,X5R,TP,10	1	SNA		SR35	2007-000157	R-CHIP;47Kohm,5%,1/16W,TP,1005	1	SNA	
SC12	2203-006562	C-CER,CHIP;1000nF,10%,10V,X5R,TP,10	1	SNA		SR37	2007-000157	R-CHIP;47Kohm,5%,1/16W,TP,1005	1	SNA	
SC13	2203-006562	C-CER,CHIP;1000nF,10%,10V,X5R,TP,10	1	SNA		SR41	2007-000148	R-CHIP;10Kohm,5%,1/16W,TP,1005	1	SA	
SC14	2203-006562	C-CER,CHIP;1000nF,10%,10V,X5R,TP,10	1	SNA		SR42	2007-000148	R-CHIP;10Kohm,5%,1/16W,TP,1005	1	SA	
SC15	2203-006562	C-CER,CHIP;1000nF,10%,10V,X5R,TP,10	1	SNA		SX2	2801-004008	CRYSTAL-SMD;24MHz,20ppm,28-AAN,12pF	1	SA	
SC18	2203-006474	C-CER,CHIP;22000nF,20%,6.3V,X5R,201	1	SA		SXIC1	1205-003807	IC-CLOCK GENERATOR;ICS448R-48LFT,SS	1	SNA	
						TC02	2203-000627	C-CER,CHIP;0.22nF,5%,50V,COG,TP,100	1	SNA	

Exploded Views and Parts List

Loc.No	Parts No.	Description : Specification	Q'ty	S.N.A	Remark	Loc.No	Parts No.	Description : Specification	Q'ty	S.N.A	Remark
TC04	2203-006048	C-CER,CHIP;100nF,10%,10V,X7R,TP,100	1	SA		VC29	2203-006048	C-CER,CHIP;100nF,10%,10V,X7R,TP,100	1	SA	
TC05	2203-006361	C-CER,CHIP;10000nF,10%,10V,X5R,TP,2	1	SC		VC30	2203-006348	C-CER,CHIP;1000nF,10%,25V,X5R,TP,16	1	SA	
TC06	2203-005249	C-CER,CHIP;100nF,10%,50V,X7R,TP,160	1	SNA		VC31	2203-001405	C-CER,CHIP;22nF,+80-20%,25V,Y5V,100	1	SA	
TC07	2203-006048	C-CER,CHIP;100nF,10%,10V,X7R,TP,100	1	SA		VC32	2203-001405	C-CER,CHIP;22nF,+80-20%,25V,Y5V,100	1	SA	
TC08	2203-006361	C-CER,CHIP;10000nF,10%,10V,X5R,TP,2	1	SC		VC33	2203-001405	C-CER,CHIP;22nF,+80-20%,25V,Y5V,100	1	SA	
TC09	2203-002709	C-CER,CHIP;100nF,+80-20%,16V,Y5V,10	1	SA		VC34	2203-001405	C-CER,CHIP;22nF,+80-20%,25V,Y5V,100	1	SA	
TC10	2203-000995	C-CER,CHIP;.047nF,5%,50V,C0G,TP,100	1	SA		VC35	2203-006048	C-CER,CHIP;100nF,10%,10V,X7R,TP,100	1	SA	
TC11	2203-006048	C-CER,CHIP;100nF,10%,10V,X7R,TP,100	1	SA		VDL1	3301-001670	BEAD-SMD;60ohm,2012,3000mA,TP,,,0.0	1	SA	
TC12	2203-006361	C-CER,CHIP;10000nF,10%,10V,X5R,TP,2	1	SC		VDL2	3301-001670	BEAD-SMD;60ohm,2012,3000mA,TP,,,0.0	1	SA	
TL2	3301-001670	BEAD-SMD;60ohm,2012,3000mA,TP,,,0.0	1	SA		VIC1	1204-002726	IC-VIDEO DECODER;SAA7138GHL,LQFP,12	1	SA	
TL3	3301-001670	BEAD-SMD;60ohm,2012,3000mA,TP,,,0.0	1	SA		VLO1	3301-001670	BEAD-SMD;60ohm,2012,3000mA,TP,,,0.0	1	SA	
TL4	3301-001670	BEAD-SMD;60ohm,2012,3000mA,TP,,,0.0	1	SA		VQ1	0501-000341	TR-SMALL SIGNAL;KSC1623-L,NPN,200mW	1	SA	
TR02	2007-001292	R-CHIP;33ohm,5%,1/16W,TP,1005	1	SNA		VR01	2007-003112	R-CHIP;27ohm,5%,1/16W,TP,1005	1	SNA	
TR03	2007-000138	R-CHIP;100ohm,5%,1/16W,TP,1005	1	SA		VR02	2007-003112	R-CHIP;27ohm,5%,1/16W,TP,1005	1	SNA	
TR06	2007-007009	R-CHIP;75ohm,5%,1/16W,TP,1005	1	SA		VR04	2007-003112	R-CHIP;27ohm,5%,1/16W,TP,1005	1	SNA	
TR07	2007-000148	R-CHIP;10Kohm,5%,1/16W,TP,1005	1	SA		VR05	2007-000174	R-CHIP;47ohm,5%,1/16W,TP,1005	1	SNA	
TR08	2007-000148	R-CHIP;10Kohm,5%,1/16W,TP,1005	1	SA		VR06	2007-000174	R-CHIP;47ohm,5%,1/16W,TP,1005	1	SNA	
TR10	2007-001292	R-CHIP;33ohm,5%,1/16W,TP,1005	1	SNA		VR07	2007-000174	R-CHIP;47ohm,5%,1/16W,TP,1005	1	SNA	
TR11	2007-001292	R-CHIP;33ohm,5%,1/16W,TP,1005	1	SNA		VR09	2007-003013	R-CHIP;2.4Kohm,5%,1/16W,TP,1005	1	SNA	
TR12	2007-001292	R-CHIP;33ohm,5%,1/16W,TP,1005	1	SNA		VR10	2007-000174	R-CHIP;47ohm,5%,1/16W,TP,1005	1	SNA	
TR13	2007-001292	R-CHIP;33ohm,5%,1/16W,TP,1005	1	SNA		VR11	2007-003112	R-CHIP;27ohm,5%,1/16W,TP,1005	1	SNA	
TR14	2007-001292	R-CHIP;33ohm,5%,1/16W,TP,1005	1	SNA		VR12	2007-000932	R-CHIP;470ohm,5%,1/16W,TP,1005	1	SNA	
TR15	2007-001292	R-CHIP;33ohm,5%,1/16W,TP,1005	1	SNA		VR15	2007-001292	R-CHIP;33ohm,5%,1/16W,TP,1005	1	SNA	
TR16	2007-001292	R-CHIP;33ohm,5%,1/16W,TP,1005	1	SNA		VR16	2007-000174	R-CHIP;47ohm,5%,1/16W,TP,1005	1	SNA	
TR17	2007-001292	R-CHIP;33ohm,5%,1/16W,TP,1005	1	SNA		VR17	2007-003112	R-CHIP;27ohm,5%,1/16W,TP,1005	1	SNA	
TR18	2007-001292	R-CHIP;33ohm,5%,1/16W,TP,1005	1	SNA		VR18	2007-003112	R-CHIP;27ohm,5%,1/16W,TP,1005	1	SNA	
TR19	2007-001292	R-CHIP;33ohm,5%,1/16W,TP,1005	1	SNA		VR20	2007-000174	R-CHIP;47ohm,5%,1/16W,TP,1005	1	SNA	
TR20	2007-001292	R-CHIP;33ohm,5%,1/16W,TP,1005	1	SNA		VR21	2007-000138	R-CHIP;100ohm,5%,1/16W,TP,1005	1	SA	
UC1	2203-006361	C-CER,CHIP;10000nF,10%,10V,X5R,TP,2	1	SC		VR22	2007-007156	R-CHIP;1ohm,5%,1/16W,TP,1005	1	SNA	
UC2	2203-006048	C-CER,CHIP;100nF,10%,10V,X7R,TP,100	1	SA		VR23	2007-007156	R-CHIP;1ohm,5%,1/16W,TP,1005	1	SNA	
UC3	2203-006361	C-CER,CHIP;10000nF,10%,10V,X5R,TP,2	1	SC		VR30	2007-000148	R-CHIP;10Kohm,5%,1/16W,TP,1005	1	SA	
UC4	2203-006048	C-CER,CHIP;100nF,10%,10V,X7R,TP,100	1	SA		VR31	2007-000148	R-CHIP;10Kohm,5%,1/16W,TP,1005	1	SA	
UC5	2203-002605	C-CER,CHIP;0.008nF,0.25pF,50V,NP0,T	1	SA		VR32	2007-000148	R-CHIP;10Kohm,5%,1/16W,TP,1005	1	SA	
UIC1	1203-005671	IC-POWER SUPERVISOR;AP2191WG-7,SOT-	1	SNA		VR33	2007-000148	R-CHIP;10Kohm,5%,1/16W,TP,1005	1	SA	
UL1	3301-001670	BEAD-SMD;60ohm,2012,3000mA,TP,,,0.0	1	SA		VR34	2007-000148	R-CHIP;10Kohm,5%,1/16W,TP,1005	1	SA	
US6	2203-002605	C-CER,CHIP;0.008nF,0.25pF,50V,NP0,T	1	SA		VR35	2007-000148	R-CHIP;10Kohm,5%,1/16W,TP,1005	1	SA	
USB_CO	3711-004379	HEADER-BOARD TO CABLE;BOX,4P,1R,2mm	1	SA		VR40	2007-000148	R-CHIP;10Kohm,5%,1/16W,TP,1005	1	SA	
VC01	2203-001405	C-CER,CHIP;22nF,+80-20%,25V,Y5V,100	1	SA		VR43	2007-000148	R-CHIP;10Kohm,5%,1/16W,TP,1005	1	SA	
VC02	2203-006348	C-CER,CHIP;1000nF,10%,25V,X5R,TP,16	1	SA		VR44	2007-000143	R-CHIP;4.7Kohm,5%,1/16W,TP,1005	1	SNA	
VC03	2203-006348	C-CER,CHIP;1000nF,10%,25V,X5R,TP,16	1	SA		VR45	2007-000143	R-CHIP;4.7Kohm,5%,1/16W,TP,1005	1	SNA	
VC04	2203-001405	C-CER,CHIP;22nF,+80-20%,25V,Y5V,100	1	SA		VR47	2007-000143	R-CHIP;4.7Kohm,5%,1/16W,TP,1005	1	SNA	
VC05	2203-001405	C-CER,CHIP;22nF,+80-20%,25V,Y5V,100	1	SA		VR48	2007-000148	R-CHIP;10Kohm,5%,1/16W,TP,1005	1	SA	
VC06	2203-001405	C-CER,CHIP;22nF,+80-20%,25V,Y5V,100	1	SA		VR49	2007-000090	R-CHIP;10Kohm,5%,1/10W,TP,1608	1	SA	
VC07	2203-001405	C-CER,CHIP;22nF,+80-20%,25V,Y5V,100	1	SA		VR51	2007-001290	R-CHIP;24ohm,5%,1/16W,TP,1005	1	SNA	
VC08	2203-001405	C-CER,CHIP;22nF,+80-20%,25V,Y5V,100	1	SA		VR52	2007-001290	R-CHIP;24ohm,5%,1/16W,TP,1005	1	SNA	
VC11	2203-006361	C-CER,CHIP;10000nF,10%,10V,X5R,TP,2	1	SC		VR53	2007-001290	R-CHIP;24ohm,5%,1/16W,TP,1005	1	SNA	
VC12	2203-006361	C-CER,CHIP;10000nF,10%,10V,X5R,TP,2	1	SC		VR54	2007-001290	R-CHIP;24ohm,5%,1/16W,TP,1005	1	SNA	
VC13	2203-005818	C-CER,CHIP;470nF,+80-20%,10V,Y5V,TP	1	SA		VR55	2007-001290	R-CHIP;24ohm,5%,1/16W,TP,1005	1	SNA	
VC14	2203-006048	C-CER,CHIP;100nF,10%,10V,X7R,TP,100	1	SA		VR56	2007-001290	R-CHIP;24ohm,5%,1/16W,TP,1005	1	SNA	
VC15	2203-006048	C-CER,CHIP;100nF,10%,10V,X7R,TP,100	1	SA		VR57	2007-001290	R-CHIP;24ohm,5%,1/16W,TP,1005	1	SNA	
VC16	2203-006474	C-CER,CHIP;22000nF,20%,6.3V,X5R,201	1	SA		VR58	2007-001290	R-CHIP;24ohm,5%,1/16W,TP,1005	1	SNA	
VC17	2203-005818	C-CER,CHIP;470nF,+80-20%,10V,Y5V,TP	1	SA		VR60	2007-001292	R-CHIP;33ohm,5%,1/16W,TP,1005	1	SNA	
VC18	2203-006048	C-CER,CHIP;100nF,10%,10V,X7R,TP,100	1	SA		VR61	2007-001292	R-CHIP;33ohm,5%,1/16W,TP,1005	1	SNA	
VC19	2203-006048	C-CER,CHIP;100nF,10%,10V,X7R,TP,100	1	SA		VR62	2007-001292	R-CHIP;33ohm,5%,1/16W,TP,1005	1	SNA	
VC20	2203-006048	C-CER,CHIP;100nF,10%,10V,X7R,TP,100	1	SA		VR63	2007-001292	R-CHIP;33ohm,5%,1/16W,TP,1005	1	SNA	
VC21	2203-006361	C-CER,CHIP;10000nF,10%,10V,X5R,TP,2	1	SC		VR64	2007-001292	R-CHIP;33ohm,5%,1/16W,TP,1005	1	SNA	
VC22	2203-006048	C-CER,CHIP;100nF,10%,10V,X7R,TP,100	1	SA		VR65	2007-001292	R-CHIP;33ohm,5%,1/16W,TP,1005	1	SNA	
VC23	2203-006048	C-CER,CHIP;100nF,10%,10V,X7R,TP,100	1	SA		VR66	2007-001292	R-CHIP;33ohm,5%,1/16W,TP,1005	1	SNA	
VC24	2203-006048	C-CER,CHIP;100nF,10%,10V,X7R,TP,100	1	SA		VR67	2007-001292	R-CHIP;33ohm,5%,1/16W,TP,1005	1	SNA	
VC25	2203-006048	C-CER,CHIP;100nF,10%,10V,X7R,TP,100	1	SA		VR68	2007-001292	R-CHIP;33ohm,5%,1/16W,TP,1005	1	SNA	
VC26	2203-006361	C-CER,CHIP;10000nF,10%,10V,X5R,TP,2	1	SC		VR69	2007-001292	R-CHIP;33ohm,5%,1/16W,TP,1005	1	SNA	
VC27	2203-006048	C-CER,CHIP;100nF,10%,10V,X7R,TP,100	1	SA		VR71	2007-000148	R-CHIP;10Kohm,5%,1/16W,TP,1005	1	SA	
VC28	2203-006048	C-CER,CHIP;100nF,10%,10V,X7R,TP,100	1	SA		VR72	2007-000148	R-CHIP;10Kohm,5%,1/16W,TP,1005	1	SA	

Loc.No	Parts No.	Description : Specification	Q'ty	S.N.A	Remark	Loc.No	Parts No.	Description : Specification	Q'ty	S.N.A	Remark
VR73	2007-000148	R-CHIP;10Kohm,5%,1/16W,TP,1005	1	SA		R1P105	2001-000281	R-CARBON;100ohm,5%,1/8W,AA,TP,1.8x3	1	SA	
VR74	2007-000148	R-CHIP;10Kohm,5%,1/16W,TP,1005	1	SA		R1S02	2003-000994	R-METAL OXIDE(S);33kOhm,5%,2W,AF,TP	1	SA	
VR75	2007-000148	R-CHIP;10Kohm,5%,1/16W,TP,1005	1	SA		R1S04	1404-001361	THERMISTOR-NTC;30hm,4A,-,35mW/C,0uF	1	SA	
	AK97-03182A	ASSY SMD;DVD-SH895A,09-CEZANNE.MAIN	1	SNA							
	0202-001477	SOLDER-CREAM;LST309-M,D20-45um,96.5	0.926	SNA							
	AK97-03184A	ASSY MANUAL INSERT;AK94-00230A	1	SNA							
	0202-001463	SOLDER-WIRE;LFC2-W3.0,-,D3,99.79Sn/	1.132	SNA							
	0202-001608	SOLDER-WIRE FLUX;LFC7-107,DO.8,99.3	0.166	SNA							
	0204-002420	SOLVENT;1M-1000,C3H7OH,96	0.00129	SNA							
	0204-002607	FLUX;DF-234U,13%,14KG,Gravity 0.82	1.219	SNA							
P003	AK94-00229A	ASSY PCB SMPS;DVD-SH895A,09-CEZANNE	1	SA							
BD01	0402-000137	DIODE-RECTIFIER;1N4007,1000V,1A,DO-	1	SNA							
BD02	0402-000137	DIODE-RECTIFIER;1N4007,1000V,1A,DO-	1	SNA							
BD03	0402-000137	DIODE-RECTIFIER;1N4007,1000V,1A,DO-	1	SNA							
BD04	0402-000137	DIODE-RECTIFIER;1N4007,1000V,1A,DO-	1	SNA							
BD1501	AC27-92001M	COIL-INDUCTOR;RH3.5x6.5RS,BEAD(RADI	1	SC							
C1S01A	2401-004086	C-AL;68uF,20%,450V,GP,BK,25.4x20mm,	1	SA							
C1S02	2201-000963	C-CERAMIC,DISC;1NF,20%,400V,Y5U,TP,	1	SA							
C1S03	2201-000963	C-CERAMIC,DISC;1NF,20%,400V,Y5U,TP,	1	SA							
C1S04	2301-001683	C-FILM,MPEF;100nF,20%,275V,BK,12.5x	1	SA							
C1S05	2301-001683	C-FILM,MPEF;100nF,20%,275V,BK,12.5x	1	SA							
C1S06	2201-000963	C-CERAMIC,DISC;1NF,20%,400V,Y5U,TP,	1	SA							
C1S07	2201-002076	C-CERAMIC,DISC;0.068nF,10%,1000V,SL	1	SA							
C1S08	2305-001029	C-FILM,LEAD-PEF;10nF,10%,630V,TP,12	1	SA							
C1S09	2401-001573	C-AL;47uF,20%,50V,GP,TP,6.3x11,2.5	1	SA							
C1S11	2301-000402	C-FILM,LEAD-PEF;1nF,5%,50V,TP,6x9.5	1	SNA							
C1S12	2301-000129	C-FILM,LEAD-PEF;100nF,5%,50V,TP,10X	1	SA							
C1S13	2401-001324	C-AL;0.47uF,20%,50V,GP,BK,3X5,2.5	1	SA							
C1S15	2401-003499	C-AL;330uF,20%,16V,LZ,TP,8x11.5mm,5	1	SA							
C1S16	2401-002300	C-AL;47uF,20%,50V,GP,TP,6.3x11,5mm	1	SA							
C1S17	2301-000383	C-FILM,LEAD-PEF;10nF,5%,50V,TP,6x7x	1	SA							
C1S31	2401-004052	C-AL;2200uF,20%,16V,-,TP,12.5X25.5	1	SA							
C1S32	2401-000385	C-AL;10uF,20%,100V,GP,TP,6.3x11,5	1	SC							
C1S33	2401-000717	C-AL;2200uF,20%,25V,WT,TP,12.5x25,5	1	SNA							
C1S38	2401-003139	C-AL;1000uF,20%,25V,WT,TP,10*20,5mm	1	SA							
C1S39	2301-000129	C-FILM,LEAD-PEF;100nF,5%,50V,TP,10X	1	SA							
C1S44	2401-004141	C-AL;33uF,20%,35V,GP,TP,6.3x7mm,5	1	SC							
C1S45	2401-004062	C-AL;33uF,20%,50V,WT,TP,6.3x11mm,5m	1	SC							
CN1S1	3711-000203	HEADER-BOARD TO CABLE;1WALL,2P/3P,1	1	SA							
CON1	3710-001919	SOCKET-BOARD TO CABLE;16P,1R,2.5mm,	1	SA							
D1S05	0402-000012	DIODE-RECTIFIER;UF4007,1000V,1A,DO-	1	SA							
D1S07	0402-000351	DIODE-RECTIFIER;1N4937,600V,1A,DO-4	1	SNA							
D1S33D	0402-001439	DIODE-RECTIFIER;SHK75-11,100V,3A,DO	1	SA							
D1S34	0402-000351	DIODE-RECTIFIER;1N4937,600V,1A,DO-4	1	SNA							
D1S35	0402-001783	DIODE-RECTIFIER;SF35G,300V,3A,DO-20	1	SA							
D1S37	0402-000351	DIODE-RECTIFIER;1N4937,600V,1A,DO-4	1	SNA							
D1S40	0402-000351	DIODE-RECTIFIER;1N4937,600V,1A,DO-4	1	SNA							
D1S41	0403-000390	DIODE-ZENER;UZP33B,1N4752A,31.4-34.	1	SA							
F1S01	3601-000237	FUSE-CARTRIDGE;250V,2A,SLOW-BLOW,CE	1	SA							
FANCN2	3711-003942	HEADER-BOARD TO CABLE;BOX,2P,1R,2mm	1	SA							
IC1P01	1203-000165	IC-POS;ADJ.UST REG.;78R12,TO-220,4P	1	SA							
IC1P02	1203-002183	IC-SWITCH VOL. REG.;278R12,TO-220F-	1	SA							
IC1S01	1203-005401	IC-PWM CONTROLLER;ICE3BR0665J,DIP,8	1	SA							
IC1S02	0604-001028	PHOTO-COUPLER;TR,50-600%,250mW,DIP-	1	SC							
IC1S03	AC14-12006D	IC;KA431Z,TO-92,TAPING	1	SA							
L1S01	AC29-00003A	FILTER LINE NOISE;BLF-1718,2ohm,20m	1	SA							
L1S02	AC29-00003A	FILTER LINE NOISE;BLF-1718,2ohm,20m	1	SA							
L1S31	AH27-00039A	COIL CHOKE;DR CHOKE(8*6),DVD-R2000,	1	SA							
PC1S01	3602-000103	FUSE-CLIP;-,-,10mohm	1	SNA							
PC1S02	3602-000103	FUSE-CLIP;-,-,10mohm	1	SNA							
PCB	AK41-00927A	PCB-01,SMPS;DVD-SH895,FR-1,1.0,TT1.	1	SNA							
PT1SD1	AK26-00038B	TRANS SWITCHING;DVD-SH895A,DVD-SH89	1	SNA							
R1S10	2001-000793	R-CARBON;47ohm,5%,1/8W,AA,TP,1.8x3.	1	SA							
R1S12	2001-000527	R-CARBON;22ohm,5%,1/8W,AA,TP,1.8x3.	1	SA							
R1S13	2003-002284	R-METAL OXIDE;0.56ohm,5%,2W,AF,TP,3	1	SA							
R1S17	2001-000440	R-CARBON;1ohm,5%,1/8W,AA,TP,1.8x3.2	1	SA							
R1S31	2001-000429	R-CARBON;1Kohm,5%,1/8W,AA,TP,1.8x3.	1	SA							
R1S32	2001-000221	R-CARBON;1.2Kohm,5%,1/8W,AA,TP,1.8x	1	SA							
R1S33	2001-000429	R-CARBON;1Kohm,5%,1/8W,AA,TP,1.8x3.	1	SA							
R1S35	2004-000459	R-METAL;2.2Kohm,1%,1/8W,AA,TP,1.8x3	1	SA							
R1S35A	2001-000490	R-CARBON;200ohm,5%,1/8W,AA,TP,1.8x3	1	SA							
R1S36	2004-000459	R-METAL;2.2Kohm,1%,1/8W,AA,TP,1.8x3	1	SA							
R1S37A	2001-000042	R-CARBON;1Kohm,5%,1/4W,AA,TP,2.4x6.	1	SA							
R1S40	2001-000042	R-CARBON;1Kohm,5%,1/4W,AA,TP,2.4x6.	1	SA							
R1SS56	2002-000121	R-COMPOSITION;1Mohm,10%,1/2W,AA,TP,	1	SA							
VA1S03	1405-000186	VARIATOR;470V,2500A,17.5x7.5mm,TP	1	SA							
VAR1	1405-001026	VARIATOR;470V,600A,9x7mm,TP	1	SNA							
VAR21	1405-001026	VARIATOR;470V,600A,9x7mm,TP	1	SNA							
W101	3811-001868	WIRE-NO SHEATH CU;SnCuFe,52mm,GRY	1	SNA							
W102	3811-001868	WIRE-NO SHEATH CU;SnCuFe,52mm,GRY	1	SNA							
W104	3811-001868	WIRE-NO SHEATH CU;SnCuFe,52mm,GRY	1	SNA							
W105	3811-001868	WIRE-NO SHEATH CU;SnCuFe,52mm,GRY	1	SNA							
W107	3811-001868	WIRE-NO SHEATH CU;SnCuFe,52mm,GRY	1	SNA							
ZD1P05	0403-000158	DIODE-ZENER;1N4750A,25.7-28.4(5%),1	1	SNA							
ZD1P06	0403-000718	DIODE-ZENER;MTZJ6.8B,6.49/6.83V,500	1	SA							
ZD1S01	0403-000720	DIODE-ZENER;MTZJ9.1B,8.57/9.01V,500	1	SA							
ZD1S02	0403-000713	DIODE-ZENER;MTZJ20B,18.63/17.7V,500	1	SA							
	AK97-03178A	ASSY AUTO;09-CEZANNE,AK94-00229A	1	SNA							
	AK97-03180A	ASSY MANUAL INSERT;DVD-SH895A,AK94-	1	SNA							
	0202-001463	SOLDER-WIRE;LFC2-W3.0,-,D3,99.79Sn/	4.17	SNA							
	0202-001608	SOLDER-WIRE FLUX;LFC7-107,DO.8,99.3	0.166	SNA							
	0204-002420	SOLVENT;1M-1000,C3H7OH,96	0.00209	SNA							
	0204-002607	FLUX;DF-234U,13%,14KG,Gravity 0.82	1.97	SNA							
P0055	AK94-00231A	ASSY PCB FUNCTION;DVD-SH895A,09-CEZ	1	SA							
C702	2203-006361	C-CER,CHIP;10000nF,10%,10V,X5R,TP,2	1	SC							
C703	2203-005148	C-CER,CHIP;100nF,10%,16V,X7R,TP,160	1	SNA							
C705	2203-005148	C-CER,CHIP;100nF,10%,16V,X7R,TP,160	1	SNA							
C706	2203-000236	C-CER,CHIP;0.1nF,5%,50V,COG,1608	1	SA							
C707	2203-000236	C-CER,CHIP;0.1nF,5%,50V,COG,1608	1	SA							
C708	2203-000236	C-CER,CHIP;0.1nF,5%,50V,COG,1608	1	SA							
C709	2203-000236	C-CER,CHIP;0.1nF,5%,50V,COG,1608	1	SA							
C710	2203-000236	C-CER,CHIP;0.1nF,5%,50V,COG,1608	1	SA							
C711	2203-000236	C-CER,CHIP;0.1nF,5%,50V,COG,1608	1	SA							
C712	2203-000236	C-CER,CHIP;0.1nF,5%,50V,COG,1608	1	SA							
C713	2203-000236	C-CER,CHIP;0.1nF,5%,50V,COG,1608	1	SA							
C714	2203-000236	C-CER,CHIP;0.1nF,5%,50V,COG,1608	1	SA							
C715	2203-000236	C-CER,CHIP;0.1nF,5%,50V,COG,1608	1	SA							
C716	2203-000236	C-CER,CHIP;0.1nF,5%,50V,COG,1608	1								

Loc.No	Parts No.	Description : Specification	Q'ty	S.N.A	Remark	Loc.No	Parts No.	Description : Specification	Q'ty	S.N.A	Remark
	0202-001608	SOLDER-WIRE FLUX;LFC7-107,DO.8,99.3	0.0952	SNA			AK68-01786D	MANUAL USERS-QUICK GUIDE;DVD-SH893/	1	SNA	
	AK74-01001A	TAPE-DOUBLE ADHESIVE;DVD-SH895,D,TA	1	SNA			AK68-01811K	MANUAL FLYER-LEAFLET;comm,Samsung,S	1	SNA	
	AK99-01145A	ASSY SMD INSERT;09-CEZANNE;DVD-SH89	1	SNA			AK63-00519A	GROUND-PANEL;DVD-SH875/XEF,SUS304,T	1	SNA	
	0202-001477	SOLDER-CREAM;LST309-M,D20-45um,96.5	0.101	SNA			AK61-00916A	GUIDE-SPECIAL;DVD-SH895,M3 TAPTITE,	4	SNA	
							AK96-01159A	ASSY FRAME P-BOTTOM;DVD-SH895A,XEF,	1	SNA	
							BN69-00257B	PACKING-PAD;PAPER,CB-SW4,1130,820,Y	0.055	SNA	
H001	AK96-01007A	ASSY LOADER-TS-P632F;DVD-VR375A,TS-	1	SA			BN69-03982F	PAD PACKING-EDGE;LB6T,PAPER,8,120,2	0.044	SNA	
							BN69-05418A	PACKING-BAG WRAPPING;-LDPE,-,0,019	1	SNA	
A001	AK59-00104J	REMOCON-ASSY;DVD-SH895,SAMSUNG,49.5	1	SA							
ACCE	AC39-00017A	CABLE-ETC-RF(PAL);SV-623X	1	SC							
A-COMM	AK97-02490A	ASSY COMMON;09HDD(DIGITAL),DVD-SH8	1	SNA							
AS180	AK63-00573A	SHEET-WINDOW;DVD-SH895,PC SHEET,TO.	1	SNA							
C-AV	AC39-42001R	CABLE-A/V;PVC	1	SC							
C001	AK97-02468B	ASSY PANEL-FRONT;HDDR,DVD-SH893/XEF	1	SA							
C001B	AK64-02351C	PANEL-FRONT;DVD-SH897/XEF,ABS+PMMA,	1	SNA							
C002	AK64-02352A	DOOR-TRAY;DVD-SH895,ABS+PMMA,20,15,	1	SA							
C0104	3809-002363	CABLE-FLAT;30V,80C,247mm,40P,0.5mm,	1	SA							
C011	AK61-00519A	SPRING ETC-DOOR;DVD-SR420,STS304WPB	1	SA							
C015	AK64-02379A	CABINET-TOP;DVD-SH895,SECC,TO.5,287	1	SA							
C1023	AK61-00608A	LEG;DVD-VR330,RUBBER,BLK,12	4	SNA							
C450	AK64-02394A	INDICATOR-LED;DVD-SH895,PMMA,1.5,M/	1	SNA							
C522	AK64-02355A	BUTTON-POWER;DVD-SH895,ABS+PMMA,10,	1	SNA							
C657	AK64-02354A	DOOR-JACK;DVD-SH895,ABS+PMMA,20,17.	1	SA							
C701	AK73-00028A	RUBBER-HDD;DVD-HR800/XAA,BUTHYL 40H	4	SNA							
C950	AK64-02356C	CHASSIS-BOTTOM;DVD-SH895A/XEF,SECC,	1	SNA							
CCM1	BN63-05199E	COVER-SHEET;AMBER,PE,TO.08,W85mm,20	0.45	SNA							
CIS1	0203-001598	TAPE-FILAMENT;#8915,0.15,12,55000,C	0.095	SNA							
CLAMPE	AK65-00001A	CLAMPER CORE-CORD POWER;EXINO,ABS 9	1	SNA							
EH01	AK59-00105A	HDD;160G,ST3160316CS,63/track,16,16	1	SA							
FL401	AK39-00142B	DATA LINK CABLE;DVD-SH895,7P/4P,7P/	1	SA							
IB P B	6902-000078	BAG PE;LDPE,TO.05,W300,L400,TRP,8,-	1	SNA							
L-BARC	AH68-00371A	LABEL-BAR CODE;ALL,ALL,ART PAPER,0.	1	SNA							
LD61A	AK61-00944A	HOLDER-LED;DVD-SH895,ABS,1.3,15,15,	1	SNA							
M2893	AK39-00147A	LEAD CONNECTOR;DVD-HR775A,UL1007#22	1	SNA							
MANUAL	AK96-01048C	ASSY MANUAL P;DVD-SH893,IB,Q/G,XEC	1	SNA							
P295	AK97-02472A	ASSY BRACKET-HDD;HDD,DVD-SH895/XEF,	1	SNA							
S.N.A	4301-001035	BATTERY-ALKALINE;1.5V,0mAh,LR03,10.	2	SNA							
S.N.A	0203-001100	TAPE-OPP MASKING;OPP/W75/CLR,TO.075	1.2	SNA							
S.N.A	AK63-00435A	SHEET-NITRON;BD-P1000,NITRON,0.5,63	1	SNA							
S.N.A	AK68-00727S	LABEL RATING;DVD-HR720/XEF,SEF,ART	1	SNA							
ST025	AK64-01292A	DOOR-LOCK;RDR-GX315,SUS,TO.2,H10,W5	1	SNA							
T0003	AK96-01230C	ASSY COVER P-FRONT;DVD-SH897A,AK97-	1	SNA							
T0153	AK69-00699E	PACKING CASE;DVD-SH897/XEF,CB,SW2,	1	SNA							
T0246	AK69-00691A	CUSHION-SET;DVD-SH895,EPS,502,377,1	1	SNA							
T0268	AC39-10019A	CBF-POWER CORD;AT,CP2,HOUIING(2P),25	1	SA							
T0286	3103-001212	FAN-DC;12,80mA,2000rpm,0.11m ³ /mi,0	1	SA							
T0511	AK68-01785B	MANUAL USERS;DVD-SH893/XEG,XEG,GER,	1	SNA							
T0603	BN69-04451C	PALLET;-WOOD,1050,1200,135,13000,-	0.011	SNA							
VS074	AK61-00914A	BRACKET-HDD;DVD-SH895,SECC,TO.8,130	1	SNA							
W275	6003-001561	SCREW-TAPTTYPE;BH,+,-,B,M3,L6,ZPC(WH	11	SA							
W336	6001-000742	SCREW-INCH MACH;PH,+UNC6-32,L4.2,Z	4	SA							
W391	6003-000275	SCREW-TAPTTYPE;BH,+B,M3,L10,ZPC(BLK	1	SA							
W391	6003-000275	SCREW-TAPTTYPE;BH,+B,M3,L10,ZPC(BLK	2	SA							
W391	6003-000275	SCREW-TAPTTYPE;BH,+B,M3,L10,ZPC(BLK	2	SA							
W391	6003-000275	SCREW-TAPTTYPE;BH,+B,M3,L10,ZPC(BLK	11	SA							
	AH81-02332A	RESIN-ABS PMMA;1,PA30,SF-0509T,UK00	0.13	SNA							
	0103-005096	RESIN-ABS;HB,ABS+PMMA	15	SNA							
	0103-005096	RESIN-ABS;HB,ABS+PMMA	25	SNA							
	0103-005096	RESIN-ABS;HB,ABS+PMMA	5	SNA							
	AK64-02353A	PANEL-DUMMY TOC;DVD-SH895,ABS 94HB,	1	SNA							
	AK69-00753A	CUSHION PAD;DVD-SH895/XEF,EVA,10,6,	1	SNA							
	6801-001763	CARD-REGISTRATION;Europe Registrati	1	SNA							

M E M O