

---

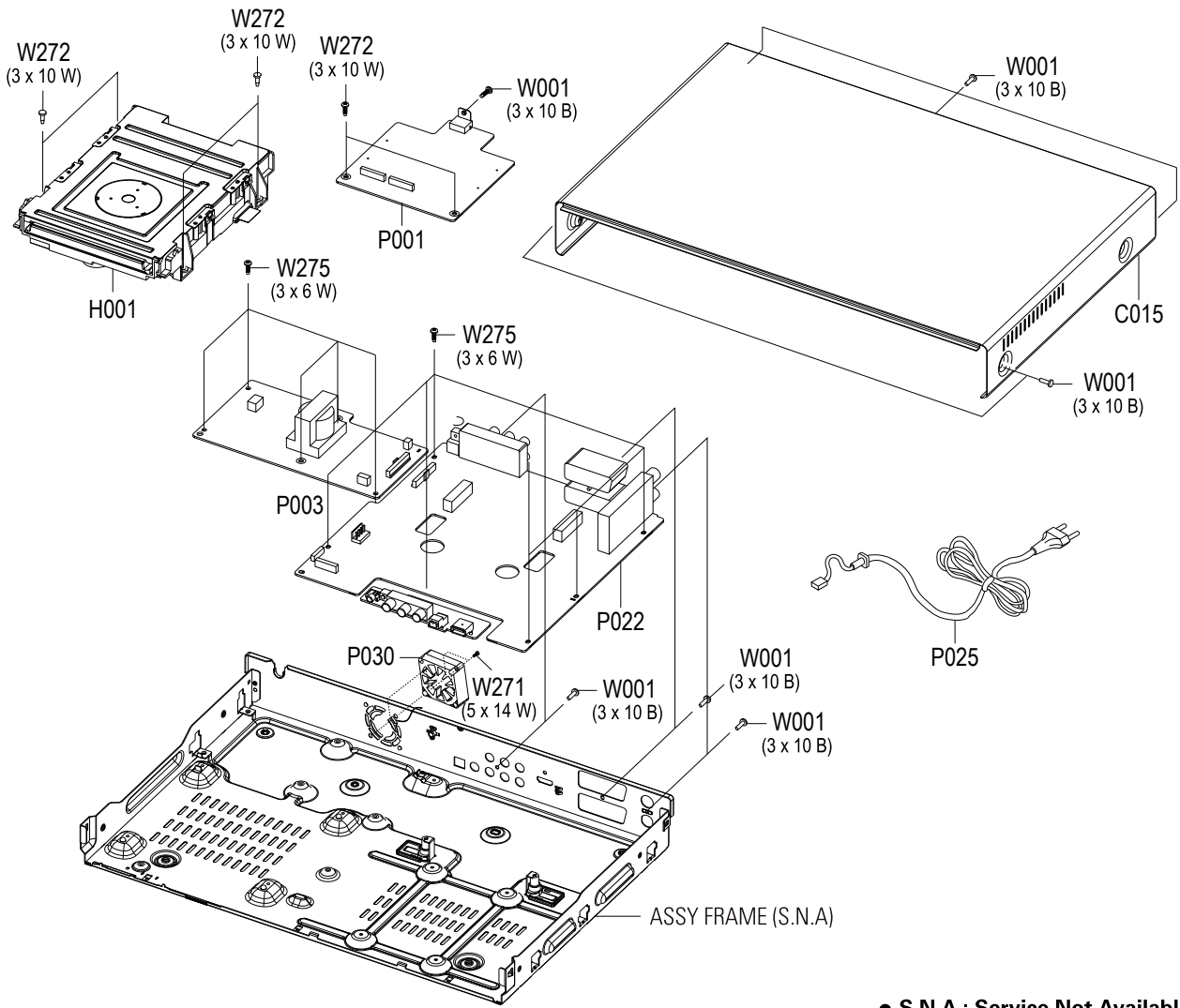
## **5. Exploded View and Parts List**

---

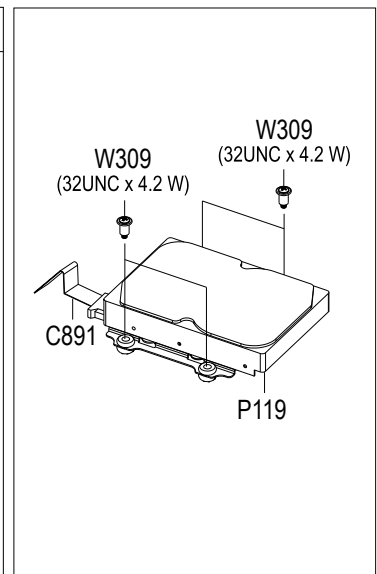
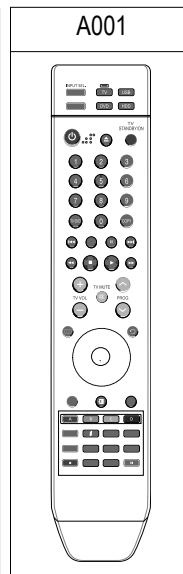
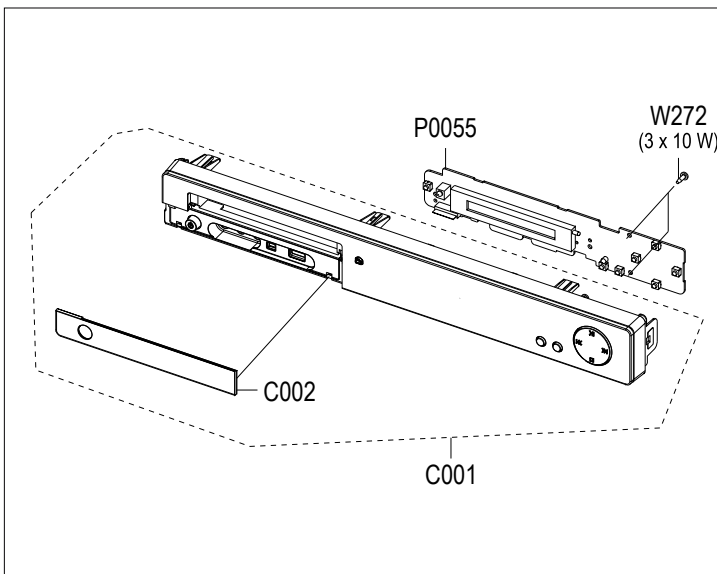
**5-1 Cabinet Assembly----- 5-2**

**5-2 Electrical Parts List----- 5-4**

## 5-1 Cabinet Assembly



● S.N.A.: Service Not Available



Loc. No	Parts No.	Description ; Specification	Q ty	SNA	Remark
A001	AK59-00079B	REMOCON-ASSY;DVD-SH877/XEF,SEC,237*	1	SA	
C001	AK97-02190B	ASSY-PANEL FRONT;HIPS94HB,DVD-SH873	1	SA	
C002	AK64-02119A	DOOR-TRAY;DVD-SH875,ABS94HB,T2.0,18	1	SA	
C015	AK64-02137A	CABINET-TOP;DVD-SH873,PCM,T0.6,W430	1	SA	
C891	AK39-00097A	CBF HARNESS;DVD-SH835,-,-,4P,140mm,	1	SA	
H001	AK97-02291A	ASSY-LOADER;-;DVD-VR375,TS-P632D/SD	1	SA	
P001	AK92-01631A	ASSY PCB-MAIN;DVD-SH875 EURO,HDMI,	1	SA	
P003	AK92-01629A	ASSY PCB-SMPS;DVD-SH873 EURO,BASIC	1	SA	
P0055	AK92-01630A	ASSY PCB-FUNCTION;DVD-SH873 EURO,BA	1	SA	
P022	AK92-01632A	ASSY PCB-JACK;DVD-SH875 EURO,HDMI,	1	SA	
P025	3903-000176	CBF-POWER CORD;AT,EU,CP2,HOUSING(2P	1	SA	
P030	3103-001158	FAN-DC;12V,20mA,2000rpm,0.125m^3/mi	1	SA	
P119	AK97-02198A	ASSY-BRACKET HDD;ASSY,DVD-SH873,08-	1	SA	
W001	6003-000275	SCREW-TAPTITE;BH,+,-,B,M3,L10,ZPC(B	8	SA	
W271	6009-001411	SCREW-SPECIAL;TH,+,-,M5,L14,NI PLT,	2	SA	
W272	6003-001464	SCREW-TAPTITE;BH,+,-,B,M3,L10,ZPC(WHT	9	SA	
W275	6003-001561	SCREW-TAPTITE;BH,+,-,B,M3,L6,ZPC(WH	11	SA	
W309	6009-001382	SCREW-SPECIAL;PWH,+,-,6-32UNC,L14.7	4	SA	

## 5-2 Electrical Parts List

Loc.No	Parts No.	Description : Specification	Q'ty	S.N.A	Remark	Loc.No	Parts No.	Description : Specification	Q'ty	S.N.A	Remark
<b>P001</b>	<b>AK92-01631A</b>	<b>ASSY PCB-MAIN;DVD-SH875 EURO,HDMI,</b>	<b>1</b>	<b>SA</b>		DTC3	2203-006048	C-CER,CHIP;100nF,10%,10V,X7R,1005	1	SA	
CC1	2203-006048	C-CER,CHIP;100nF,10%,10V,X7R,1005	1	SA		DTIC1	1205-003405	IC-CLOCK GENERATOR;CDCE913PWR,TSSOP	1	SA	
CC2	2203-006048	C-CER,CHIP;100nF,10%,10V,X7R,1005	1	SA		DTR1	2007-000140	R-CHIP;1Kohm,5%,1/16W,TP,1005	1	SA	
CE1	2404-000284	C-TA,CHIP;10uF,20%,16V,TP,3528	1	SA		DTR2	2007-001292	R-CHIP;33ohm,5%,1/16W,TP,1005	1	SA	
CIC2	1103-001218	IC-EEPROM;524AB0X91,32Kbit,4Kx8,SOP	1	SA		DTXAL	2801-004621	CRYSTAL-SMD;27MHz,15ppm,-14pF,30oh	1	SA	
CIC3	1203-003394	IC-POWER SUPERVISOR;MIC2544-1YM,SOP	1	SA		DVDCN	3708-001935	CONNECTOR-FPC/FPC/PIC;40P,0.5mm,SMD	1	SA	
CN1	3710-002075	SOCKET-BOARD TO BOARD;30P,2R,2MM,SM	1	SA		FC1	2203-006048	C-CER,CHIP;100nF,10%,10V,X7R,1005	1	SA	
CN3	3710-002075	SOCKET-BOARD TO BOARD;30P,2R,2MM,SM	1	SA		FC2	2203-006048	C-CER,CHIP;100nF,10%,10V,X7R,1005	1	SA	
CR1	2007-000138	R-CHIP;100ohm,5%,1/16W,TP,1005	1	SA		FC3	2203-006048	C-CER,CHIP;100nF,10%,10V,X7R,1005	1	SA	
CR13	2007-000148	R-CHIP;10Kohm,5%,1/16W,TP,1005	1	SA		FIC1	1107-001694	IC-FLASH MEMORY;S29GL064A,64Mbit,8M	1	SNA	
CR16	2007-000171	R-CHIP;0ohm,5%,1/16W,TP,1005	1	SA		FR1	2007-000143	R-CHIP;4.7Kohm,5%,1/16W,TP,1005	1	SA	
CR2	2007-000138	R-CHIP;100ohm,5%,1/16W,TP,1005	1	SA		FR10	2007-000982	R-CHIP;5.6Kohm,5%,1/16W,TP,1005	1	SA	
CR21	2007-000143	R-CHIP;4.7Kohm,5%,1/16W,TP,1005	1	SA		FR11	2007-000982	R-CHIP;5.6Kohm,5%,1/16W,TP,1005	1	SA	
CR23	2007-000242	R-CHIP;1.5Kohm,5%,1/16W,TP,1005	1	SA		FR12	2007-000982	R-CHIP;5.6Kohm,5%,1/16W,TP,1005	1	SA	
CR3	2007-000138	R-CHIP;100ohm,5%,1/16W,TP,1005	1	SA		FR13	2007-000982	R-CHIP;5.6Kohm,5%,1/16W,TP,1005	1	SA	
CR32	2007-000143	R-CHIP;4.7Kohm,5%,1/16W,TP,1005	1	SA		FR14	2007-000982	R-CHIP;5.6Kohm,5%,1/16W,TP,1005	1	SA	
CR4	2007-000138	R-CHIP;100ohm,5%,1/16W,TP,1005	1	SA		FR15	2007-000982	R-CHIP;5.6Kohm,5%,1/16W,TP,1005	1	SA	
CR9	2007-000143	R-CHIP;4.7Kohm,5%,1/16W,TP,1005	1	SA		FR16	2007-000982	R-CHIP;5.6Kohm,5%,1/16W,TP,1005	1	SA	
DAR01	2011-001479	R-NETWORK;24ohm,5%,1/16W,L,CHIP,16P	1	SA		FR17	2007-000982	R-CHIP;5.6Kohm,5%,1/16W,TP,1005	1	SA	
DAR02	2011-001479	R-NETWORK;24ohm,5%,1/16W,L,CHIP,16P	1	SA		FR18	2007-000982	R-CHIP;5.6Kohm,5%,1/16W,TP,1005	1	SA	
DAR03	2011-001479	R-NETWORK;24ohm,5%,1/16W,L,CHIP,16P	1	SA		FR19	2007-001292	R-CHIP;33ohm,5%,1/16W,TP,1005	1	SA	
DAR04	2011-001479	R-NETWORK;24ohm,5%,1/16W,L,CHIP,16P	1	SA		FR2	2007-000143	R-CHIP;4.7Kohm,5%,1/16W,TP,1005	1	SA	
DAR05	2011-001262	R-NETWORK;22ohm,5%,1/16W,L,CHIP,8P,	1	SA		FR20	2007-001292	R-CHIP;33ohm,5%,1/16W,TP,1005	1	SA	
DAR06	2011-001262	R-NETWORK;22ohm,5%,1/16W,L,CHIP,8P,	1	SA		FR21	2007-001292	R-CHIP;33ohm,5%,1/16W,TP,1005	1	SA	
DAR07	2011-001262	R-NETWORK;22ohm,5%,1/16W,L,CHIP,8P,	1	SA		FR22	2007-001292	R-CHIP;33ohm,5%,1/16W,TP,1005	1	SA	
DAR08	2011-001262	R-NETWORK;22ohm,5%,1/16W,L,CHIP,8P,	1	SA		FR23	2007-001292	R-CHIP;33ohm,5%,1/16W,TP,1005	1	SA	
DAR09	2011-001262	R-NETWORK;22ohm,5%,1/16W,L,CHIP,8P,	1	SA		FR24	2007-001292	R-CHIP;33ohm,5%,1/16W,TP,1005	1	SA	
DC1	2203-006048	C-CER,CHIP;100nF,10%,10V,X7R,1005	1	SA		FR25	2007-001292	R-CHIP;33ohm,5%,1/16W,TP,1005	1	SA	
DC10	2203-005481	C-CER,CHIP;47nF,10%,10V,X7R,TP,1005	1	SA		FR26	2007-001292	R-CHIP;33ohm,5%,1/16W,TP,1005	1	SA	
DC11	2203-005481	C-CER,CHIP;47nF,10%,10V,X7R,TP,1005	1	SA		FR27	2007-001292	R-CHIP;33ohm,5%,1/16W,TP,1005	1	SA	
DC12	2203-005481	C-CER,CHIP;47nF,10%,10V,X7R,TP,1005	1	SA		FR28	2007-001292	R-CHIP;33ohm,5%,1/16W,TP,1005	1	SA	
DC2	2203-006048	C-CER,CHIP;100nF,10%,10V,X7R,1005	1	SA		FR29	2007-001292	R-CHIP;33ohm,5%,1/16W,TP,1005	1	SA	
DC21	2203-006048	C-CER,CHIP;100nF,10%,10V,X7R,1005	1	SA		FR3	2007-000148	R-CHIP;10Kohm,5%,1/16W,TP,1005	1	SA	
DC22	2203-006048	C-CER,CHIP;100nF,10%,10V,X7R,1005	1	SA		FR30	2007-001292	R-CHIP;33ohm,5%,1/16W,TP,1005	1	SA	
DC23	2203-006048	C-CER,CHIP;100nF,10%,10V,X7R,1005	1	SA		FR31	2007-001292	R-CHIP;33ohm,5%,1/16W,TP,1005	1	SA	
DC24	2203-006048	C-CER,CHIP;100nF,10%,10V,X7R,1005	1	SA		FR32	2007-001292	R-CHIP;33ohm,5%,1/16W,TP,1005	1	SA	
DC25	2203-006048	C-CER,CHIP;100nF,10%,10V,X7R,1005	1	SA		FR33	2007-001292	R-CHIP;33ohm,5%,1/16W,TP,1005	1	SA	
DC26	2203-006048	C-CER,CHIP;100nF,10%,10V,X7R,1005	1	SA		FR34	2007-001292	R-CHIP;33ohm,5%,1/16W,TP,1005	1	SA	
DC27	2203-006048	C-CER,CHIP;100nF,10%,10V,X7R,1005	1	SA		FR35	2007-001292	R-CHIP;33ohm,5%,1/16W,TP,1005	1	SA	
DC28	2203-006048	C-CER,CHIP;100nF,10%,10V,X7R,1005	1	SA		FR36	2007-001292	R-CHIP;33ohm,5%,1/16W,TP,1005	1	SA	
DC29	2203-006048	C-CER,CHIP;100nF,10%,10V,X7R,1005	1	SA		FR37	2007-001292	R-CHIP;33ohm,5%,1/16W,TP,1005	1	SA	
DC3	2203-006048	C-CER,CHIP;100nF,10%,10V,X7R,1005	1	SA		FR38	2007-001292	R-CHIP;33ohm,5%,1/16W,TP,1005	1	SA	
DC4	2203-006048	C-CER,CHIP;100nF,10%,10V,X7R,1005	1	SA		FR39	2007-001292	R-CHIP;33ohm,5%,1/16W,TP,1005	1	SA	
DC5	2203-005481	C-CER,CHIP;47nF,10%,10V,X7R,TP,1005	1	SA		FR4	2007-000148	R-CHIP;10Kohm,5%,1/16W,TP,1005	1	SA	
DC6	2203-005481	C-CER,CHIP;47nF,10%,10V,X7R,TP,1005	1	SA		FR40	2007-001292	R-CHIP;33ohm,5%,1/16W,TP,1005	1	SA	
DC7	2203-005481	C-CER,CHIP;47nF,10%,10V,X7R,TP,1005	1	SA		FR41	2007-001292	R-CHIP;33ohm,5%,1/16W,TP,1005	1	SA	
DC8	2203-005481	C-CER,CHIP;47nF,10%,10V,X7R,TP,1005	1	SA		FR42	2007-001292	R-CHIP;33ohm,5%,1/16W,TP,1005	1	SA	
DC9	2203-005481	C-CER,CHIP;47nF,10%,10V,X7R,TP,1005	1	SA		FR43	2007-001292	R-CHIP;33ohm,5%,1/16W,TP,1005	1	SA	
DIC1	1105-001695	IC-DRAM;K4H561638,DDR,256MB,16Mx16B	1	SA		FR44	2007-001292	R-CHIP;33ohm,5%,1/16W,TP,1005	1	SA	
DIC2	1105-001695	IC-DRAM;K4H561638,DDR,256MB,16Mx16B	1	SA		FR45	2007-001292	R-CHIP;33ohm,5%,1/16W,TP,1005	1	SA	
DR1	2007-007142	R-CHIP;10Kohm,1%,1/16W,TP,1005	1	SA		FR46	2007-001292	R-CHIP;33ohm,5%,1/16W,TP,1005	1	SA	
DR2	2007-007142	R-CHIP;10Kohm,1%,1/16W,TP,1005	1	SA		FR47	2007-001292	R-CHIP;33ohm,5%,1/16W,TP,1005	1	SA	
DR3	2007-007142	R-CHIP;10Kohm,1%,1/16W,TP,1005	1	SA		FR48	2007-001292	R-CHIP;33ohm,5%,1/16W,TP,1005	1	SA	
DR4	2007-007142	R-CHIP;10Kohm,1%,1/16W,TP,1005	1	SA		FR49	2007-001292	R-CHIP;33ohm,5%,1/16W,TP,1005	1	SA	
DTC1	2203-006048	C-CER,CHIP;100nF,10%,10V,X7R,1005	1	SA		FR5	2007-000148	R-CHIP;10Kohm,5%,1/16W,TP,1005	1	SA	
DTC2	2203-006048	C-CER,CHIP;100nF,10%,10V,X7R,1005	1	SA		FR50	2007-001292	R-CHIP;33ohm,5%,1/16W,TP,1005	1	SA	

Loc.No	Parts No.	Description : Specification	Q'ty	S.N.A	Remark	Loc.No	Parts No.	Description : Specification	Q'ty	S.N.A	Remark
FR6	2007-000148	R-CHIP;10Kohm,5%,1/16W,TP,1005	1	SA		HDR47	2007-000171	R-CHIP;0ohm,5%,1/16W,TP,1005	1	SA	
FR7	2007-000148	R-CHIP;10Kohm,5%,1/16W,TP,1005	1	SA		HDR48	2007-000171	R-CHIP;0ohm,5%,1/16W,TP,1005	1	SA	
FR8	2007-000171	R-CHIP;0ohm,5%,1/16W,TP,1005	1	SA		HDR5	2007-000138	R-CHIP;100ohm,5%,1/16W,TP,1005	1	SA	
FR9	2007-000171	R-CHIP;0ohm,5%,1/16W,TP,1005	1	SA		HDR6	2007-000138	R-CHIP;100ohm,5%,1/16W,TP,1005	1	SA	
HAR01	2011-001479	R-NETWORK;24ohm,5%,1/16W,L,CHIP,16P	1	SA		HDR7	2007-000139	R-CHIP;220ohm,5%,1/16W,TP,1005	1	SA	
HDC1	2402-000179	C-AL,SMD;47uF,20%,16V,GP,TP,6.6x6.6	1	SA		HDR8	2007-007095	R-CHIP;390ohm,5%,1/16W,TP,1005	1	SA	
HDC10	2203-006048	C-CER,CHIP;100nF,10%,10V,X7R,1005	1	SA		HDR9	2007-000152	R-CHIP;20Kohm,5%,1/16W,TP,1005	1	SA	
HDC11	2203-006562	C-CER,CHIP;1000nF,10%,10V,X5R,1005	1	SA		IC1	1204-002849	IC-VIDEO PROCESS;TDA9984,HTQFP,80P,	1	SA	
HDC12	2203-006048	C-CER,CHIP;100nF,10%,10V,X7R,1005	1	SA		MC1	2203-000254	C-CER,CHIP;10nF,10%,16V,X7R,1005	1	SA	
HDC13	2203-006048	C-CER,CHIP;100nF,10%,10V,X7R,1005	1	SA		MC10	2203-006048	C-CER,CHIP;100nF,10%,10V,X7R,1005	1	SA	
HDC14	2203-006048	C-CER,CHIP;100nF,10%,10V,X7R,1005	1	SA		MC11	2203-006048	C-CER,CHIP;100nF,10%,10V,X7R,1005	1	SA	
HDC15	2402-000179	C-AL,SMD;47uF,20%,16V,GP,TP,6.6x6.6	1	SA		MC12	2203-006048	C-CER,CHIP;100nF,10%,10V,X7R,1005	1	SA	
HDC16	2203-006048	C-CER,CHIP;100nF,10%,10V,X7R,1005	1	SA		MC13	2203-006048	C-CER,CHIP;100nF,10%,10V,X7R,1005	1	SA	
HDC17	2203-006048	C-CER,CHIP;100nF,10%,10V,X7R,1005	1	SA		MC14	2203-006048	C-CER,CHIP;100nF,10%,10V,X7R,1005	1	SA	
HDC18	2402-000179	C-AL,SMD;47uF,20%,16V,GP,TP,6.6x6.6	1	SA		MC15	2203-006048	C-CER,CHIP;100nF,10%,10V,X7R,1005	1	SA	
HDC2	2203-006048	C-CER,CHIP;100nF,10%,10V,X7R,1005	1	SA		MC16	2203-006048	C-CER,CHIP;100nF,10%,10V,X7R,1005	1	SA	
HDC20	2203-006048	C-CER,CHIP;100nF,10%,10V,X7R,1005	1	SA		MC17	2203-006048	C-CER,CHIP;100nF,10%,10V,X7R,1005	1	SA	
HDC21	2402-000179	C-AL,SMD;47uF,20%,16V,GP,TP,6.6x6.6	1	SA		MC18	2203-006048	C-CER,CHIP;100nF,10%,10V,X7R,1005	1	SA	
HDC22	2203-006048	C-CER,CHIP;100nF,10%,10V,X7R,1005	1	SA		MC19	2203-006048	C-CER,CHIP;100nF,10%,10V,X7R,1005	1	SA	
HDC23	2402-000179	C-AL,SMD;47uF,20%,16V,GP,TP,6.6x6.6	1	SA		MC20	2203-006048	C-CER,CHIP;100nF,10%,10V,X7R,1005	1	SA	
HDC24	2203-006048	C-CER,CHIP;100nF,10%,10V,X7R,1005	1	SA		MC21	2203-006048	C-CER,CHIP;100nF,10%,10V,X7R,1005	1	SA	
HDC3	2203-006048	C-CER,CHIP;100nF,10%,10V,X7R,1005	1	SA		MC22	2203-006048	C-CER,CHIP;100nF,10%,10V,X7R,1005	1	SA	
HDC4	2203-006048	C-CER,CHIP;100nF,10%,10V,X7R,1005	1	SA		MC23	2203-006048	C-CER,CHIP;100nF,10%,10V,X7R,1005	1	SA	
HDC5	2203-001072	C-CER,CHIP;0.056nF,5%,50V,NP0,1005	1	SA		MC24	2203-006048	C-CER,CHIP;100nF,10%,10V,X7R,1005	1	SA	
HDC6	2203-006048	C-CER,CHIP;100nF,10%,10V,X7R,1005	1	SA		MC25	2203-006048	C-CER,CHIP;100nF,10%,10V,X7R,1005	1	SA	
HDC7	2203-006562	C-CER,CHIP;1000nF,10%,10V,X5R,1005	1	SA		MC26	2203-006048	C-CER,CHIP;100nF,10%,10V,X7R,1005	1	SA	
HDC8	2203-006048	C-CER,CHIP;100nF,10%,10V,X7R,1005	1	SA		MC27	2203-006048	C-CER,CHIP;100nF,10%,10V,X7R,1005	1	SA	
HDC9	2203-006562	C-CER,CHIP;1000nF,10%,10V,X5R,1005	1	SA		MC28	2203-006048	C-CER,CHIP;100nF,10%,10V,X7R,1005	1	SA	
HDCN1	3701-001313	CONNECTOR-HDMI;19P,2R,PLUG,ANGLE,AU	1	SA		MC29	2203-006048	C-CER,CHIP;100nF,10%,10V,X7R,1005	1	SA	
HDDCN	3708-001935	CONNECTOR-FPC/FFC/PC;40P,0.5mm,SMD	1	SA		MC3	2203-000254	C-CER,CHIP;10nF,10%,16V,X7R,1005	1	SA	
HDFB1	2007-000171	R-CHIP;0ohm,5%,1/16W,TP,1005	1	SA		MC30	2203-006048	C-CER,CHIP;100nF,10%,10V,X7R,1005	1	SA	
HDFB2	2007-000033	R-CHIP;0ohm,5%,1/4W,TP,3216	1	SA		MC31	2203-006048	C-CER,CHIP;100nF,10%,10V,X7R,1005	1	SA	
HDFB3	2007-000033	R-CHIP;0ohm,5%,1/4W,TP,3216	1	SA		MC32	2203-006048	C-CER,CHIP;100nF,10%,10V,X7R,1005	1	SA	
HDFB4	3301-001670	BEAD-SMD;60ohm,2012,3000mA,TP,,,0.0	1	SA		MC33	2203-006048	C-CER,CHIP;100nF,10%,10V,X7R,1005	1	SA	
HDR1	2007-000148	R-CHIP;10Kohm,5%,1/16W,TP,1005	1	SA		MC34	2203-006048	C-CER,CHIP;100nF,10%,10V,X7R,1005	1	SA	
HDR11	2007-000242	R-CHIP;1.5Kohm,5%,1/16W,TP,1005	1	SA		MC35	2203-006048	C-CER,CHIP;100nF,10%,10V,X7R,1005	1	SA	
HDR12	2007-000242	R-CHIP;1.5Kohm,5%,1/16W,TP,1005	1	SA		MC36	2203-006048	C-CER,CHIP;100nF,10%,10V,X7R,1005	1	SA	
HDR14	2007-000140	R-CHIP;1Kohm,5%,1/16W,TP,1005	1	SA		MC37	2203-006048	C-CER,CHIP;100nF,10%,10V,X7R,1005	1	SA	
HDR15	2007-000171	R-CHIP;0ohm,5%,1/16W,TP,1005	1	SA		MC38	2203-006048	C-CER,CHIP;100nF,10%,10V,X7R,1005	1	SA	
HDR16	2007-000171	R-CHIP;0ohm,5%,1/16W,TP,1005	1	SA		MC39	2203-006048	C-CER,CHIP;100nF,10%,10V,X7R,1005	1	SA	
HDR17	2007-000172	R-CHIP;10ohm,5%,1/16W,TP,1005	1	SA		MC40	2203-006048	C-CER,CHIP;100nF,10%,10V,X7R,1005	1	SA	
HDR18	2007-000172	R-CHIP;10ohm,5%,1/16W,TP,1005	1	SA		MC41	2203-006048	C-CER,CHIP;100nF,10%,10V,X7R,1005	1	SA	
HDR19	2203-006048	C-CER,CHIP;100nF,10%,10V,X7R,1005	1	SA		MC42	2203-006048	C-CER,CHIP;100nF,10%,10V,X7R,1005	1	SA	
HDR2	2007-000151	R-CHIP;15Kohm,5%,1/16W,TP,1005	1	SA		MC43	2203-006048	C-CER,CHIP;100nF,10%,10V,X7R,1005	1	SA	
HDR20	2007-000172	R-CHIP;10ohm,5%,1/16W,TP,1005	1	SA		MC44	2203-006048	C-CER,CHIP;100nF,10%,10V,X7R,1005	1	SA	
HDR21	2007-000172	R-CHIP;10ohm,5%,1/16W,TP,1005	1	SA		MC45	2203-006048	C-CER,CHIP;100nF,10%,10V,X7R,1005	1	SA	
HDR22	2007-000172	R-CHIP;10ohm,5%,1/16W,TP,1005	1	SA		MC46	2203-006048	C-CER,CHIP;100nF,10%,10V,X7R,1005	1	SA	
HDR23	2007-000172	R-CHIP;10ohm,5%,1/16W,TP,1005	1	SA		MC47	2203-006048	C-CER,CHIP;100nF,10%,10V,X7R,1005	1	SA	
HDR24	2007-000172	R-CHIP;10ohm,5%,1/16W,TP,1005	1	SA		MC49	2203-006048	C-CER,CHIP;100nF,10%,10V,X7R,1005	1	SA	
HDR26	2007-000172	R-CHIP;10ohm,5%,1/16W,TP,1005	1	SA		MC50	2203-006048	C-CER,CHIP;100nF,10%,10V,X7R,1005	1	SA	
HDR28	2007-000171	R-CHIP;0ohm,5%,1/16W,TP,1005	1	SA		MC52	2203-006048	C-CER,CHIP;100nF,10%,10V,X7R,1005	1	SA	
HDR29	2007-000171	R-CHIP;0ohm,5%,1/16W,TP,1005	1	SA		MC53	2203-006048	C-CER,CHIP;100nF,10%,10V,X7R,1005	1	SA	
HDR3	2007-001292	R-CHIP;33ohm,5%,1/16W,TP,1005	1	SA		MC54	2203-006048	C-CER,CHIP;100nF,10%,10V,X7R,1005	1	SA	
HDR30	2007-000171	R-CHIP;0ohm,5%,1/16W,TP,1005	1	SA		MC55	2203-006048	C-CER,CHIP;100nF,10%,10V,X7R,1005	1	SA	
HDR4	2007-000138	R-CHIP;100ohm,5%,1/16W,TP,1005	1	SA		MC56	2203-006048	C-CER,CHIP;100nF,10%,10V,X7R,1005	1	SA	
HDR41	2007-000171	R-CHIP;0ohm,5%,1/16W,TP,1005	1	SA		MC57	2203-006048	C-CER,CHIP;100nF,10%,10V,X7R,1005	1	SA	
HDR43	2007-000140	R-CHIP;1Kohm,5%,1/16W,TP,1005	1	SA		MC58	2203-006048	C-CER,CHIP;100nF,10%,10V,X7R,1005	1	SA	
HDR44	2007-007470	R-CHIP;7.5Kohm,1%,1/16W,TP,1005	1	SA		MC59	2203-006048	C-CER,CHIP;100nF,10%,10V,X7R,1005	1	SA	
HDR46	2007-000171	R-CHIP;0ohm,5%,1/16W,TP,1005	1	SA		MC6	2203-000386	C-CER,CHIP;0.015nF,5%,50V,COG,1005	1	SA	

Exploded Views and Parts List

Loc.No	Parts No.	Description : Specification	Q'ty	S.N.A	Remark	Loc.No	Parts No.	Description : Specification	Q'ty	S.N.A	Remark
MC60	2203-006048	C-CER,CHIP;100nF,10%,10V,X7R,1005	1	SA		PC11	2203-000627	C-CER,CHIP;0.022nF,5%,50V,C0G,1005	1	SA	
MC61	2203-006048	C-CER,CHIP;100nF,10%,10V,X7R,1005	1	SA		PC12	2203-000627	C-CER,CHIP;0.022nF,5%,50V,C0G,1005	1	SA	
MC62	2203-006048	C-CER,CHIP;100nF,10%,10V,X7R,1005	1	SA		PC13	2203-006048	C-CER,CHIP;100nF,10%,10V,X7R,1005	1	SA	
MC63	2203-006048	C-CER,CHIP;100nF,10%,10V,X7R,1005	1	SA		PC14	2203-006048	C-CER,CHIP;100nF,10%,10V,X7R,1005	1	SA	
MC64	2203-006048	C-CER,CHIP;100nF,10%,10V,X7R,1005	1	SA		PC15	2203-006048	C-CER,CHIP;100nF,10%,10V,X7R,1005	1	SA	
MC65	2203-006048	C-CER,CHIP;100nF,10%,10V,X7R,1005	1	SA		PC16	2203-006048	C-CER,CHIP;100nF,10%,10V,X7R,1005	1	SA	
MC66	2203-006048	C-CER,CHIP;100nF,10%,10V,X7R,1005	1	SA		PC2	2203-006048	C-CER,CHIP;100nF,10%,10V,X7R,1005	1	SA	
MC67	2203-006048	C-CER,CHIP;100nF,10%,10V,X7R,1005	1	SA		PC7	2203-006048	C-CER,CHIP;100nF,10%,10V,X7R,1005	1	SA	
MC68	2203-006048	C-CER,CHIP;100nF,10%,10V,X7R,1005	1	SA		PC8	2203-005642	C-CER,CHIP;0.22nF,5%,50V,NP0,1005	1	SA	
MC69	2203-006048	C-CER,CHIP;100nF,10%,10V,X7R,1005	1	SA		PC9	2203-006048	C-CER,CHIP;100nF,10%,10V,X7R,1005	1	SA	
MC7	2203-000627	C-CER,CHIP;0.022nF,5%,50V,C0G,1005	1	SA		PE1	2402-001042	C-AL,SMD;100uF,20%,16V,GP,TP,6.6x6.6	1	SA	
MC71	2203-006048	C-CER,CHIP;100nF,10%,10V,X7R,1005	1	SA		PE2	2402-000170	C-AL,SMD;1uF,20%,50V,GP,TP,4.3x4.3x	1	SA	
MC72	2203-006048	C-CER,CHIP;100nF,10%,10V,X7R,1005	1	SA		PIC1	1205-001988	IC-DATA COMM./GEN.;TSB41AB1-PAP,QFP	1	SA	
MC73	2203-006048	C-CER,CHIP;100nF,10%,10V,X7R,1005	1	SA		PL1	3301-001670	BEAD-SMD;60ohm,2012,3000mA,TP,,,0.0	1	SA	
MC74	2203-006048	C-CER,CHIP;100nF,10%,10V,X7R,1005	1	SA		PL2	3301-001670	BEAD-SMD;60ohm,2012,3000mA,TP,,,0.0	1	SA	
MC75	2203-006048	C-CER,CHIP;100nF,10%,10V,X7R,1005	1	SA		PL3	3301-001670	BEAD-SMD;60ohm,2012,3000mA,TP,,,0.0	1	SA	
MC8	2203-000278	C-CER,CHIP;0.01nF,0.5pF,50V,C0G,100	1	SA		PR1	2007-000138	R-CHIP;100ohm,5%,1/16W,TP,1005	1	SA	
MC9	2203-000627	C-CER,CHIP;0.022nF,5%,50V,C0G,1005	1	SA		PR10	2007-000148	R-CHIP;10Kohm,5%,1/16W,TP,1005	1	SA	
ME2	2402-000176	C-AL,SMD;10uF,20%,16V,GP,TP,4.3x4.3	1	SA		PR12	2007-000148	R-CHIP;10Kohm,5%,1/16W,TP,1005	1	SA	
ME3	2402-000176	C-AL,SMD;10uF,20%,16V,GP,TP,4.3x4.3	1	SA		PR13	2007-000140	R-CHIP;1Kohm,5%,1/16W,TP,1005	1	SA	
ME6	2402-000179	C-AL,SMD;47uF,20%,16V,GP,TP,6.6x6.6	1	SA		PR14	2007-000140	R-CHIP;1Kohm,5%,1/16W,TP,1005	1	SA	
MIC1	1204-002828	IC-ENCODER/DECODER;MS9410-CTG,TFBGA	1	SA		PR15	2007-000140	R-CHIP;1Kohm,5%,1/16W,TP,1005	1	SA	
MR1	2007-000140	R-CHIP;1Kohm,5%,1/16W,TP,1005	1	SA		PR16	2007-000148	R-CHIP;10Kohm,5%,1/16W,TP,1005	1	SA	
MR10	2007-001307	R-CHIP;180ohm,5%,1/16W,TP,1005	1	SA		PR17	2007-000171	R-CHIP;0ohm,5%,1/16W,TP,1005	1	SA	
MR11	2007-008015	R-CHIP;75ohm,1%,1/16W,TP,1005	1	SA		PR18	2007-002970	R-CHIP;56ohm,5%,1/16W,TP,1005	1	SA	
MR12	2007-008015	R-CHIP;75ohm,1%,1/16W,TP,1005	1	SA		PR19	2007-000171	R-CHIP;0ohm,5%,1/16W,TP,1005	1	SA	
MR13	2007-008015	R-CHIP;75ohm,1%,1/16W,TP,1005	1	SA		PR2	2007-001292	R-CHIP;33ohm,5%,1/16W,TP,1005	1	SA	
MR14	2007-008015	R-CHIP;75ohm,1%,1/16W,TP,1005	1	SA		PR20	2007-002970	R-CHIP;56ohm,5%,1/16W,TP,1005	1	SA	
MR15	2007-008015	R-CHIP;75ohm,1%,1/16W,TP,1005	1	SA		PR21	2007-000171	R-CHIP;0ohm,5%,1/16W,TP,1005	1	SA	
MR16	2007-000145	R-CHIP;6.2Kohm,5%,1/16W,TP,1005	1	SA		PR22	2007-002970	R-CHIP;56ohm,5%,1/16W,TP,1005	1	SA	
MR17	2007-001305	R-CHIP;120ohm,5%,1/16W,TP,1005	1	SA		PR23	2007-000171	R-CHIP;0ohm,5%,1/16W,TP,1005	1	SA	
MR18	2007-000171	R-CHIP;0ohm,5%,1/16W,TP,1005	1	SA		PR24	2007-002970	R-CHIP;56ohm,5%,1/16W,TP,1005	1	SA	
MR2	2007-000148	R-CHIP;10Kohm,5%,1/16W,TP,1005	1	SA		PR25	2007-000145	R-CHIP;6.2Kohm,5%,1/16W,TP,1005	1	SA	
MR20	2007-000171	R-CHIP;0ohm,5%,1/16W,TP,1005	1	SA		PR26	2007-000170	R-CHIP;1Mohm,5%,1/16W,TP,1005	1	SA	
MR21	3301-001670	BEAD-SMD;60ohm,2012,3000mA,TP,,,0.0	1	SA		PR27	2007-000144	R-CHIP;5.1Kohm,5%,1/16W,TP,1005	1	SA	
MR22	3301-001670	BEAD-SMD;60ohm,2012,3000mA,TP,,,0.0	1	SA		PR3	2007-000171	R-CHIP;0ohm,5%,1/16W,TP,1005	1	SA	
MR23	3301-001670	BEAD-SMD;60ohm,2012,3000mA,TP,,,0.0	1	SA		PR5	2007-000148	R-CHIP;10Kohm,5%,1/16W,TP,1005	1	SA	
MR24	3301-001670	BEAD-SMD;60ohm,2012,3000mA,TP,,,0.0	1	SA		PR6	2007-000140	R-CHIP;1Kohm,5%,1/16W,TP,1005	1	SA	
MR25	2007-001305	R-CHIP;120ohm,5%,1/16W,TP,1005	1	SA		PR7	2007-001292	R-CHIP;33ohm,5%,1/16W,TP,1005	1	SA	
MR26	2007-000171	R-CHIP;0ohm,5%,1/16W,TP,1005	1	SA		PR8	2007-007015	R-CHIP;13Kohm,5%,1/16W,TP,1005	1	SA	
MR27	2007-000171	R-CHIP;0ohm,5%,1/16W,TP,1005	1	SA		PR9	2007-000138	R-CHIP;100ohm,5%,1/16W,TP,1005	1	SA	
MR28	2007-000143	R-CHIP;4.7Kohm,5%,1/16W,TP,1005	1	SA		PX1	2801-004021	CRYSTAL-SMD;24.576MHz,20ppm,28-AN,	1	SA	
MR29	2007-000143	R-CHIP;4.7Kohm,5%,1/16W,TP,1005	1	SA		R39	2007-000033	R-CHIP;0ohm,5%,1/4W,TP,3216	1	SA	
MR3	2007-000170	R-CHIP;1Mohm,5%,1/16W,TP,1005	1	SA		RC1	2203-006048	C-CER,CHIP;100nF,10%,10V,X7R,1005	1	SA	
MR30	2007-000242	R-CHIP;1.5Kohm,5%,1/16W,TP,1005	1	SA		RC2	2203-006048	C-CER,CHIP;100nF,10%,10V,X7R,1005	1	SA	
MR31	2007-000242	R-CHIP;1.5Kohm,5%,1/16W,TP,1005	1	SA		RC3	2203-006048	C-CER,CHIP;100nF,10%,10V,X7R,1005	1	SA	
MR32	2007-000140	R-CHIP;1Kohm,5%,1/16W,TP,1005	1	SA		RC4	2203-006048	C-CER,CHIP;100nF,10%,10V,X7R,1005	1	SA	
MR33	2007-001305	R-CHIP;120ohm,5%,1/16W,TP,1005	1	SA		RC5	2203-006048	C-CER,CHIP;100nF,10%,10V,X7R,1005	1	SA	
MR34	2007-000138	R-CHIP;100ohm,5%,1/16W,TP,1005	1	SA		RC6	2203-006048	C-CER,CHIP;100nF,10%,10V,X7R,1005	1	SA	
MR35	2007-001305	R-CHIP;120ohm,5%,1/16W,TP,1005	1	SA		RE1	2402-001181	C-AL,SMD;100uF,20%,16V,HR,TP,6.6x6.6	1	SA	
MR36	2007-008015	R-CHIP;75ohm,1%,1/16W,TP,1005	1	SA		RE2	2402-001181	C-AL,SMD;100uF,20%,16V,HR,TP,6.6x6.6	1	SA	
MR4	2007-000170	R-CHIP;1Mohm,5%,1/16W,TP,1005	1	SA		RE3	2402-001042	C-AL,SMD;100uF,20%,16V,GP,TP,6.6x6.6	1	SA	
MR5	2007-000174	R-CHIP;47ohm,5%,1/16W,TP,1005	1	SA		RE4	2402-001042	C-AL,SMD;100uF,20%,16V,GP,TP,6.6x6.6	1	SA	
MR6	2007-000171	R-CHIP;0ohm,5%,1/16W,TP,1005	1	SA		RE5	2402-001042	C-AL,SMD;100uF,20%,16V,GP,TP,6.6x6.6	1	SA	
MR7	2007-008015	R-CHIP;75ohm,1%,1/16W,TP,1005	1	SA		RE6	2402-001042	C-AL,SMD;100uF,20%,16V,GP,TP,6.6x6.6	1	SA	
MR8	2007-002796	R-CHIP;510ohm,5%,1/16W,TP,1005	1	SA		RIC1	1203-003628	IC-POSIFIXED REG.;G9966-18TGU,TO-2	1	SA	
MR9	2007-001307	R-CHIP;180ohm,5%,1/16W,TP,1005	1	SA		RIC3	1203-003806	IC-POSIAJUST REG.;K1A78R000,DPAK,	1	SA	
MY2	2801-004621	CRYSTAL-SMD;27MHz,15ppm,-14pF,30oh	1	SA		RIC4	1203-002945	IC-POSIFIXED REG.;AP1117E25A,SOT-2	1	SA	
PC1	2203-006048	C-CER,CHIP;100nF,10%,10V,X7R,1005	1	SA		UR1	2007-000033	R-CHIP;0ohm,5%,1/4W,TP,3216	1	SA	
PC10	2203-006048	C-CER,CHIP;100nF,10%,10V,X7R,1005	1	SA							



Loc.No	Parts No.	Description : Specification	Q'ty	S.N.A	Remark	Loc.No	Parts No.	Description : Specification	Q'ty	S.N.A	Remark
UR27	2007-001307	R-CHIP:180ohm,5%,1/16W,TP,1005	1	SA		VR22	2007-000932	R-CHIP:470ohm,5%,1/16W,TP,1005	1	SA	
						VR25	2007-000143	R-CHIP:4.7kohm,5%,1/16W,TP,1005	1	SA	
USB_CO	3711-005872	HEADER-BOARD TO CABLE;BOX,5P,1R,2MM	1	SA		VR26	2007-000157	R-CHIP:47kohm,5%,1/16W,TP,1005	1	SA	
USBL2	3301-001670	BEAD-SMD;60ohm,2012,3000mA,TP,...,0.0	1	SA		VR27	2007-000157	R-CHIP:47kohm,5%,1/16W,TP,1005	1	SA	
UX1	2801-003773	CRYSTAL-SMD;12MHz,30ppm,28-AAN,20pF	1	SA		VR28	2007-001292	R-CHIP:33ohm,5%,1/16W,TP,1005	1	SA	
VC1	2203-001405	C-CER,CHIP;22nF,+80-20%,25V,Y5V,100	1	SA		VR29	2007-003013	R-CHIP:2.4kohm,5%,1/16W,TP,1005	1	SA	
VC10	2203-001405	C-CER,CHIP;22nF,+80-20%,25V,Y5V,100	1	SA		VR3	2007-000171	R-CHIP;0ohm,5%,1/16W,TP,1005	1	SA	
VC11	2203-001405	C-CER,CHIP;22nF,+80-20%,25V,Y5V,100	1	SA		VR30	2007-003112	R-CHIP;27ohm,5%,1/16W,TP,1005	1	SA	
VC12	2203-001405	C-CER,CHIP;22nF,+80-20%,25V,Y5V,100	1	SA		VR31	2007-003112	R-CHIP;27ohm,5%,1/16W,TP,1005	1	SA	
VC13	2203-001405	C-CER,CHIP;22nF,+80-20%,25V,Y5V,100	1	SA		VR32	2007-003112	R-CHIP;27ohm,5%,1/16W,TP,1005	1	SA	
VC14	2203-001405	C-CER,CHIP;22nF,+80-20%,25V,Y5V,100	1	SA		VR33	2007-003112	R-CHIP;27ohm,5%,1/16W,TP,1005	1	SA	
VC15	2203-005818	C-CER,CHIP;470nF,+80to-20%,10V,Y5V,	1	SA		VR34	2007-003112	R-CHIP;27ohm,5%,1/16W,TP,1005	1	SA	
VC16	2203-000386	C-CER,CHIP;0.015nF,5%,50V,C0G,1005	1	SA		VR35	2007-003112	R-CHIP;27ohm,5%,1/16W,TP,1005	1	SA	
VC17	2203-000386	C-CER,CHIP;0.015nF,5%,50V,C0G,1005	1	SA		VR36	2007-003112	R-CHIP;27ohm,5%,1/16W,TP,1005	1	SA	
VC18	2203-006048	C-CER,CHIP;100nF,10%,10V,X7R,1005	1	SA		VR4	2007-000171	R-CHIP;0ohm,5%,1/16W,TP,1005	1	SA	
VC19	2203-006048	C-CER,CHIP;100nF,10%,10V,X7R,1005	1	SA		VR40	3301-001419	BEAD-SMD;220ohm,1608,TP,133ohm70MH	1	SA	
VC2	2203-001405	C-CER,CHIP;22nF,+80-20%,25V,Y5V,100	1	SA		VR41	3301-001419	BEAD-SMD;220ohm,1608,TP,133ohm70MH	1	SA	
VC20	2203-006048	C-CER,CHIP;100nF,10%,10V,X7R,1005	1	SA		VR42	3301-001419	BEAD-SMD;220ohm,1608,TP,133ohm70MH	1	SA	
VC22	2203-006048	C-CER,CHIP;100nF,10%,10V,X7R,1005	1	SA		VR43	3301-001419	BEAD-SMD;220ohm,1608,TP,133ohm70MH	1	SA	
VC23	2203-006048	C-CER,CHIP;100nF,10%,10V,X7R,1005	1	SA		VR5	2007-000173	R-CHIP;22ohm,5%,1/16W,TP,1005	1	SA	
VC24	2203-006048	C-CER,CHIP;100nF,10%,10V,X7R,1005	1	SA		VR50	2007-000171	R-CHIP;0ohm,5%,1/16W,TP,1005	1	SA	
VC25	2203-006048	C-CER,CHIP;100nF,10%,10V,X7R,1005	1	SA		VR51	2007-000171	R-CHIP;0ohm,5%,1/16W,TP,1005	1	SA	
VC26	2203-006048	C-CER,CHIP;100nF,10%,10V,X7R,1005	1	SA		VR52	2007-000171	R-CHIP;0ohm,5%,1/16W,TP,1005	1	SA	
VC27	2203-006048	C-CER,CHIP;100nF,10%,10V,X7R,1005	1	SA		VR6	2007-000173	R-CHIP;22ohm,5%,1/16W,TP,1005	1	SA	
VC28	2203-006048	C-CER,CHIP;100nF,10%,10V,X7R,1005	1	SA		VR7	2007-000173	R-CHIP;22ohm,5%,1/16W,TP,1005	1	SA	
VC29	2203-006048	C-CER,CHIP;100nF,10%,10V,X7R,1005	1	SA		VR8	2007-000173	R-CHIP;22ohm,5%,1/16W,TP,1005	1	SA	
VC3	2203-001405	C-CER,CHIP;22nF,+80-20%,25V,Y5V,100	1	SA		VR9	2007-000173	R-CHIP;22ohm,5%,1/16W,TP,1005	1	SA	
VC30	2203-006048	C-CER,CHIP;100nF,10%,10V,X7R,1005	1	SA		VRN1	2011-001479	R-NETWORK;24ohm,5%,1/16W,L,CHIP,16P	1	SA	
VC31	2203-006048	C-CER,CHIP;100nF,10%,10V,X7R,1005	1	SA		VS217	AK39-00115A	LEAD CONNECTOR;-,-,5,300,BLK,-,20	1	SA	
VC32	2203-006048	C-CER,CHIP;100nF,10%,10V,X7R,1005	1	SA		VX1	2801-004021	CRYSTAL-SMD;24.576MHz,20ppm,28-AAN,	1	SA	
VC33	2203-006048	C-CER,CHIP;100nF,10%,10V,X7R,1005	1	SA		W001	6003-000275	SCREW-TAPTITE,BH,+,-,B,M3,L10,ZPC/B	1	SA	
VC34	2203-006048	C-CER,CHIP;100nF,10%,10V,X7R,1005	1	SA		W272	6003-001464	SCREW-TAPTITE,BH,+,-,B,M3,L10,ZPC/WHT	2	SA	
VC35	2203-006048	C-CER,CHIP;100nF,10%,10V,X7R,1005	1	SA		<b>P003 AK92-01629A ASSY PCB-SMPS;DVD-SH873 EURO,BASIC</b>					
VC36	2203-006048	C-CER,CHIP;100nF,10%,10V,X7R,1005	1	SA		BD01	0402-000137	DIODE-RECTIFIER;1N4007,1KV,1A,DO-41	1	SA	
VC37	2203-006048	C-CER,CHIP;100nF,10%,10V,X7R,1005	1	SA		BD02	0402-000137	DIODE-RECTIFIER;1N4007,1KV,1A,DO-41	1	SA	
VC4	2203-001405	C-CER,CHIP;22nF,+80-20%,25V,Y5V,100	1	SA		BD03	0402-000137	DIODE-RECTIFIER;1N4007,1KV,1A,DO-41	1	SA	
VC40	2203-001405	C-CER,CHIP;22nF,+80-20%,25V,Y5V,100	1	SA		BD04	0402-000137	DIODE-RECTIFIER;1N4007,1KV,1A,DO-41	1	SA	
VC5	2203-001405	C-CER,CHIP;22nF,+80-20%,25V,Y5V,100	1	SA		BD1P01	3301-000297	BEAD-AXIAL;25ohm,3.6x1.2x5.7mm,-,TP	1	SA	
VC6	2203-001405	C-CER,CHIP;22nF,+80-20%,25V,Y5V,100	1	SA		BD1S01	AC27-92001M	COIL-INDUCTOR;RH;5X6.5RS,BEAD/RADI	1	SC	
VC7	2203-001405	C-CER,CHIP;22nF,+80-20%,25V,Y5V,100	1	SA		C1S01A	2401-003842	C-AL;100uF,20%,450V,WT,BK,25.4X25.1	1	SA	
VC8	2203-001405	C-CER,CHIP;22nF,+80-20%,25V,Y5V,100	1	SA		C1S02	2201-002044	C-CERAMIC,DISC;0.1nF,10%,400V,Y5P,T	1	SA	
VC9	2203-005818	C-CER,CHIP;470nF,+80to-20%,10V,Y5V,	1	SA		C1S03	2201-002044	C-CERAMIC,DISC;0.1nF,10%,400V,Y5P,T	1	SA	
VQ1	0501-000341	TR-SMALL SIGNAL,KSC1623-L,NPN,200mW	1	SA		C1S04	2301-001792	C-FILM,LEAD;150nF,20%,275V,BK,17.5x	1	SA	
VE1	2402-000179	C-AL,SMD;47uF,20%,16V,GP,TP,6.6x6.6	1	SA		C1S05	2301-001792	C-FILM,LEAD;150nF,20%,275V,BK,17.5x	1	SA	
VE4	2402-000176	C-AL,SMD;10uF,20%,16V,GP,TP,4.3x4.3	1	SA		C1S06	2201-000446	C-CERAMIC,DISC;3.3nF,20%,400V,Y5U,B	1	SA	
VE5	2402-000176	C-AL,SMD;10uF,20%,16V,GP,TP,4.3x4.3	1	SA		C1S07	2201-002076	C-CERAMIC,DISC;0.068nF,5%,1KV,SL,TP	1	SA	
VIC1	1204-002726	IC-VIDEO DECODER;SAA7138GHL,LQFP,12	1	SA		C1S08	2305-001029	C-FILM,LEAD-PEF;10nF,10%,630V,TP,12	1	SA	
VR10	2007-000173	R-CHIP;22ohm,5%,1/16W,TP,1005	1	SA		C1S09	2401-001573	C-AL;47uF,20%,50V,GP,TP,6.3x11.2,5	1	SA	
VR11	2007-000173	R-CHIP;22ohm,5%,1/16W,TP,1005	1	SA		C1S10	2201-000446	C-CERAMIC,DISC;3.3nF,20%,400V,Y5U,B	1	SA	
VR12	2007-000174	R-CHIP;47ohm,5%,1/16W,TP,1005	1	SA		C1S11	2301-000402	C-FILM,LEAD-PEF;1nF,5%,50V,TP,5x7x2	1	SA	
VR13	2007-000174	R-CHIP;47ohm,5%,1/16W,TP,1005	1	SA		C1S12	2301-000129	C-FILM,LEAD-PEF;10nF,5%,50V,TP,10X	1	SA	
VR14	2007-000174	R-CHIP;47ohm,5%,1/16W,TP,1005	1	SA		C1S13	2301-001654	C-FILM,LEAD-PEF;1000nF,5%,63V,TP,7,	1	SA	
VR15	2007-000174	R-CHIP;47ohm,5%,1/16W,TP,1005	1	SA		C1S15	2401-003499	C-AL;330uF,20%,16V,LZ,TP,8x11.5mm,5	1	SA	
VR16	2007-000174	R-CHIP;47ohm,5%,1/16W,TP,1005	1	SA		C1S16	2401-002300	C-AL;47##F,20%,50V,GP,TP,6.3x11.5mm	1	SA	
VR17	2007-000174	R-CHIP;47ohm,5%,1/16W,TP,1005	1	SA		C1S17	2301-000383	C-FILM,LEAD-PEF;10nF,5%,50V,TP,6x7x	1	SA	
VR18	2007-000174	R-CHIP;47ohm,5%,1/16W,TP,1005	1	SA		C1S30	2401-003390	C-AL;2200uF,20%,16V,LZ,TP,13x31.5,5	1	SA	
VR19	2007-000138	R-CHIP;100ohm,5%,1/16W,TP,1005	1	SA		C1S31	2401-003390	C-AL;2200uF,20%,16V,LZ,TP,13x31.5,5	1	SA	
VR2	2007-000171	R-CHIP;0ohm,5%,1/16W,TP,1005	1	SA							
VR20	2007-000138	R-CHIP;100ohm,5%,1/16W,TP,1005	1	SA							
VR21	2007-000138	R-CHIP;100ohm,5%,1/16W,TP,1005	1	SA							





Loc.No	Parts No.	Description : Specification	Q'ty	S.N.A	Remark	Loc.No	Parts No.	Description : Specification	Q'ty	S.N.A	Remark
SW707	3404-001182	SWITCH-TACT;DC12V,50MA,100GF,6.0X6.	1	SA		AHE48	2401-000426	C-AL;10uF,20%,16V,GP,TP,3.5x5.5	1	SA	
SW708	3404-001182	SWITCH-TACT;DC12V,50MA,100GF,6.0X6.	1	SA		AHQ1	0501-000398	TR-SMALL SIGNAL;KSC945-Y,NPN,250mW,	1	SA	
SW709	3404-001182	SWITCH-TACT;DC12V,50MA,100GF,6.0X6.	1	SA		AHQ10	0501-000398	TR-SMALL SIGNAL;KSC945-Y,NPN,250mW,	1	SA	
SW710	3404-001182	SWITCH-TACT;DC12V,50MA,100GF,6.0X6.	1	SA		AHQ2	0501-000398	TR-SMALL SIGNAL;KSC945-Y,NPN,250mW,	1	SA	
SW711	3404-001182	SWITCH-TACT;DC12V,50MA,100GF,6.0X6.	1	SA		AHQ3	0504-000156	TR-DIGITAL;KSR2103,PNP,200MW,22K/22	1	SA	
SW712	3404-001182	SWITCH-TACT;DC12V,50MA,100GF,6.0X6.	1	SA		AHQ4	0504-000156	TR-DIGITAL;KSR2103,PNP,200MW,22K/22	1	SA	
						AHR10	2007-000125	R-CHIP;3.9Kohm,5%,1/10W,TP,1608	1	SA	
						AHR11	2007-000125	R-CHIP;3.9Kohm,5%,1/10W,TP,1608	1	SA	
						AHR12	2007-000125	R-CHIP;3.9Kohm,5%,1/10W,TP,1608	1	SA	
						AHR13	2007-000125	R-CHIP;3.9Kohm,5%,1/10W,TP,1608	1	SA	
<b>P022</b>	<b>AK92-01632A</b>	<b>ASSY PCB-JACK;DVD-SH875 EURO,HDMI,</b>	<b>1</b>	<b>SA</b>		AHR14	2007-000125	R-CHIP;3.9Kohm,5%,1/10W,TP,1608	1	SA	
AE2	2401-001249	C-AL;4.7uF,20%,35V,GP,TP,4x5,2.5	1	SA		AHR15	2007-000125	R-CHIP;3.9Kohm,5%,1/10W,TP,1608	1	SA	
AE24	2401-001249	C-AL;4.7uF,20%,35V,GP,TP,4x5,2.5	1	SA		AHR16	2007-000125	R-CHIP;3.9Kohm,5%,1/10W,TP,1608	1	SA	
AE25	2401-001250	C-AL;4.7uF,20%,35V,GP,TP,4x5,5	1	SA		AHR17	2007-000125	R-CHIP;3.9Kohm,5%,1/10W,TP,1608	1	SA	
AE26	2401-001250	C-AL;4.7uF,20%,35V,GP,TP,4x5,5	1	SA		AHR18	2001-000472	R-CARBON;2.7KOHM,5%,1/8W,AA,TP,1.8X	1	SA	
AE3	2401-001249	C-AL;4.7uF,20%,35V,GP,TP,4x5,2.5	1	SA		AHR19	2007-000097	R-CHIP;47Kohm,5%,1/10W,TP,1608	1	SA	
AHC10	2203-005148	C-CER,CHIP;100nF,10%,16V,X7R,TP,160	1	SA		AHR22	2007-000616	R-CHIP;24Kohm,5%,1/10W,TP,1608	1	SA	
AHC11	2203-005148	C-CER,CHIP;100nF,10%,16V,X7R,TP,160	1	SA		AHR23	2007-000616	R-CHIP;24Kohm,5%,1/10W,TP,1608	1	SA	
AHC12	2203-005148	C-CER,CHIP;100nF,10%,16V,X7R,TP,160	1	SA		AHR24	2001-000539	R-CARBON;24KOHM,5%,1/8W,AA,TP,1.8X3	1	SA	
AHC14	2203-000257	C-CER,CHIP;10nF,10%,50V,X7R,TP,1608	1	SA		AHR25	2001-000539	R-CARBON;24KOHM,5%,1/8W,AA,TP,1.8X3	1	SA	
AHC15	2203-000125	C-CER,CHIP;1.2nF,10%,50V,X7R,TP,160	1	SA		AHR26	2007-000616	R-CHIP;24Kohm,5%,1/10W,TP,1608	1	SA	
AHC16	2203-005148	C-CER,CHIP;100nF,10%,16V,X7R,TP,160	1	SA		AHR28	2007-000616	R-CHIP;24Kohm,5%,1/10W,TP,1608	1	SA	
AHC17	2203-000315	C-CER,CHIP;0.12nF,5%,50V,COG,1608	1	SA		AHR29	2007-000616	R-CHIP;24Kohm,5%,1/10W,TP,1608	1	SA	
AHC18	2203-000125	C-CER,CHIP;1.2nF,10%,50V,X7R,TP,160	1	SA		AHR3	2001-000449	R-CARBON;2.2KOHM,5%,1/8W,AA,TP,1.8X	1	SA	
AHC20	2203-000315	C-CER,CHIP;0.12nF,5%,50V,COG,1608	1	SA		AHR31	2007-000616	R-CHIP;24Kohm,5%,1/10W,TP,1608	1	SA	
AHC21	2203-005148	C-CER,CHIP;100nF,10%,16V,X7R,TP,160	1	SA		AHR32	2007-000616	R-CHIP;24Kohm,5%,1/10W,TP,1608	1	SA	
AHC22	2203-005148	C-CER,CHIP;100nF,10%,16V,X7R,TP,160	1	SA		AHR33	2007-000381	R-CHIP;13Kohm,5%,1/10W,TP,1608	1	SA	
AHC23	2401-001502	C-AL;4.7uF,20%,16V,GP,TP,6.3x5.2.5	1	SA		AHR34	2007-000122	R-CHIP;1.2Kohm,5%,1/10W,TP,1608	1	SA	
AHD10	0402-000165	DIODE-RECTIFIER;1N5819,40V,1A,DO-41	1	SA		AHR35	2001-000786	R-CARBON;47KOHM,5%,1/8W,AA,TP,1.8X3	1	SA	
AHD11	0401-000005	DIODE-SWITCHING;1N4148,75V,150mA,DO	1	SA		AHR36	2007-000097	R-CHIP;47Kohm,5%,1/10W,TP,1608	1	SA	
AHE10	2401-000408	C-AL;10uF,20%,16V,GP,TP,3.5x5.2.5	1	SA		AHR37	2007-000122	R-CHIP;1.2Kohm,5%,1/10W,TP,1608	1	SA	
AHE11	2401-000408	C-AL;10uF,20%,16V,GP,TP,3.5x5.2.5	1	SA		AHR38	2007-000381	R-CHIP;13Kohm,5%,1/10W,TP,1608	1	SA	
AHE13	2401-000408	C-AL;10uF,20%,16V,GP,TP,3.5x5.2.5	1	SA		AHR39	2007-000109	R-CHIP;1Mohm,5%,1/10W,TP,1608	1	SA	
AHE14	2401-000408	C-AL;10uF,20%,16V,GP,TP,3.5x5.2.5	1	SA		AHR4	2001-000449	R-CARBON;2.2KOHM,5%,1/8W,AA,TP,1.8X	1	SA	
AHE15	2401-000426	C-AL;10uF,20%,16V,GP,TP,3.5x5.5	1	SA		AHR40	2001-000947	R-CARBON;7.5KOHM,5%,1/8W,AA,TP,1.8X	1	SA	
AHE16	2401-001502	C-AL;4.7uF,20%,16V,GP,TP,6.3x5.2.5	1	SA		AHR41	2001-000947	R-CARBON;7.5KOHM,5%,1/8W,AA,TP,1.8X	1	SA	
AHE17	2401-001502	C-AL;4.7uF,20%,16V,GP,TP,6.3x5.2.5	1	SA		AHR42	2001-000539	R-CARBON;24KOHM,5%,1/8W,AA,TP,1.8X3	1	SA	
AHE18	2401-001502	C-AL;4.7uF,20%,16V,GP,TP,6.3x5.2.5	1	SA		AHR50	2001-000281	R-CARBON;100OHM,5%,1/8W,AA,TP,1.8X3	1	SA	
AHE20	2401-003336	C-AL;4.7uF,20%,50V,GP,TP,5X5,2	1	SA		AHR51	2001-000281	R-CARBON;100OHM,5%,1/8W,AA,TP,1.8X3	1	SA	
AHE21	2401-001250	C-AL;4.7uF,20%,35V,GP,TP,4x5,5	1	SA		AHR52	2007-000109	R-CHIP;1Mohm,5%,1/10W,TP,1608	1	SA	
AHE22	2401-001249	C-AL;4.7uF,20%,35V,GP,TP,4x5,2.5	1	SA		AHR53	2001-000258	R-CARBON;1.8KOHM,5%,1/8W,AA,TP,1.8X	1	SA	
AHE23	2401-001250	C-AL;4.7uF,20%,35V,GP,TP,4x5,5	1	SA		AHR54	2001-000258	R-CARBON;1.8KOHM,5%,1/8W,AA,TP,1.8X	1	SA	
AHE27	2401-001249	C-AL;4.7uF,20%,35V,GP,TP,4x5,2.5	1	SA		AHR55	2007-000115	R-CHIP;82ohm,5%,1/10W,TP,1608	1	SA	
AHE28	2401-001250	C-AL;4.7uF,20%,35V,GP,TP,4x5,5	1	SA		AHR56	2007-000115	R-CHIP;82ohm,5%,1/10W,TP,1608	1	SA	
AHE29	2401-001249	C-AL;4.7uF,20%,35V,GP,TP,4x5,2.5	1	SA		AHR9	2007-000123	R-CHIP;1.5Kohm,5%,1/10W,TP,1608	1	SA	
AHE30	2401-001249	C-AL;4.7uF,20%,35V,GP,TP,4x5,2.5	1	SA		AMC01	2203-005148	C-CER,CHIP;100nF,10%,16V,X7R,TP,160	1	SA	
AHE31	2401-000426	C-AL;10uF,20%,16V,GP,TP,3.5x5.5	1	SA		AME2	2401-001502	C-AL;4.7uF,20%,16V,GP,TP,6.3x5.2.5	1	SA	
AHE32	2401-000426	C-AL;10uF,20%,16V,GP,TP,3.5x5.5	1	SA		AR1	2007-000616	R-CHIP;24Kohm,5%,1/10W,TP,1608	1	SA	
AHE33	2401-000408	C-AL;10uF,20%,16V,GP,TP,3.5x5.2.5	1	SA		AR11	2007-000616	R-CHIP;24Kohm,5%,1/10W,TP,1608	1	SA	
AHE34	2401-000408	C-AL;10uF,20%,16V,GP,TP,3.5x5.2.5	1	SA		AR12	2001-000539	R-CARBON;24KOHM,5%,1/8W,AA,TP,1.8X3	1	SA	
AHE35	2401-000909	C-AL;22uF,20%,16V,GP,TP,5x5,2.5	1	SA		AR14	2001-000539	R-CARBON;24KOHM,5%,1/8W,AA,TP,1.8X3	1	SA	
AHE36	2401-000598	C-AL;1uF,20%,50V,GP,TP,4x7,5	1	SA		BC1	2203-005148	C-CER,CHIP;100nF,10%,16V,X7R,TP,160	1	SA	
AHE37	2401-000598	C-AL;1uF,20%,50V,GP,TP,4x7,5	1	SA		BC10	2203-005148	C-CER,CHIP;100nF,10%,16V,X7R,TP,160	1	SA	
AHE38	2401-000598	C-AL;1uF,20%,50V,GP,TP,4x7,5	1	SA		BC3	2203-005148	C-CER,CHIP;100nF,10%,16V,X7R,TP,160	1	SA	
AHE39	2401-000598	C-AL;1uF,20%,50V,GP,TP,4x7,5	1	SA		BC4	2203-005148	C-CER,CHIP;100nF,10%,16V,X7R,TP,160	1	SA	
AHE40	2401-001250	C-AL;4.7uF,20%,35V,GP,TP,4x5,5	1	SA		BC7	2203-005148	C-CER,CHIP;100nF,10%,16V,X7R,TP,160	1	SA	
AHE41	2401-001250	C-AL;4.7uF,20%,35V,GP,TP,4x5,5	1	SA		BC8	2203-005148	C-CER,CHIP;100nF,10%,16V,X7R,TP,160	1	SA	
AHE45	2401-000426	C-AL;10uF,20%,16V,GP,TP,3.5x5.5	1	SA		BC9	2203-005148	C-CER,CHIP;100nF,10%,16V,X7R,TP,160	1	SA	
AHE46	2401-000426	C-AL;10uF,20%,16V,GP,TP,3.5x5.5	1	SA		BD12	0402-000165	DIODE-RECTIFIER;1N5819,40V,1A,DO-41	1	SA	
AHE47	2401-000426	C-AL;10uF,20%,16V,GP,TP,3.5x5.5	1	SA		BD13	0401-000005	DIODE-SWITCHING;1N4148,75V,150mA,DO	1	SA	

Exploded Views and Parts List

Loc.No	Parts No.	Description : Specification	Q'ty	S.N.A	Remark	Loc.No	Parts No.	Description : Specification	Q'ty	S.N.A	Remark
BD5	0402-000127	DIODE-RECTIFIER;1N4002,100V,1A,DO-4	1	SA		CRD12	0403-001083	DIODE-ZENER;UDZ9.1B,8.85-9.23V,200M	1	SA	
BD6	0402-000165	DIODE-RECTIFIER;1N5819,40V,1A,DO-41	1	SA		CRD13	0406-001172	DIODE-TVS;CDS3C30GTH,48/-50V,SMD	1	SA	
BD7	0403-001083	DIODE-ZENER;UDZ9.1B,8.85-9.23V,200M	1	SA		CRD14	0403-001083	DIODE-ZENER;UDZ9.1B,8.85-9.23V,200M	1	SA	
BD8	0401-000005	DIODE-SWITCHING;1N4148,75V,150mA,DO	1	SA		CRD15	2203-000783	C-CER,CHIP;0.33nF,5%,50V,COG,1608	1	SA	
BD9	0402-001438	DIODE-RECTIFIER;SHK55-65,60V,3A,TO-	1	SA		CRD16	2203-000783	C-CER,CHIP;0.33nF,5%,50V,COG,1608	1	SA	
						CRD17	0403-001083	DIODE-ZENER;UDZ9.1B,8.85-9.23V,200M	1	SA	
BE3	2401-003221	C-AL;100uF,20%,16V,GP,TP,8X5,2.5	1	SA		CRD18	0403-001083	DIODE-ZENER;UDZ9.1B,8.85-9.23V,200M	1	SA	
BE5	2401-002026	C-AL;10UF,20%,35V,GP,TP,5X5,2.5	1	SA		CRD19	0403-001083	DIODE-ZENER;UDZ9.1B,8.85-9.23V,200M	1	SA	
BE6	2401-001249	C-AL;4.7uF,20%,35V,GP,TP,4X5,2.5	1	SA		CRD20	0406-001172	DIODE-TVS;CDS3C30GTH,48/-50V,SMD	1	SA	
BE7	2401-002026	C-AL;10UF,20%,35V,GP,TP,5X5,2.5	1	SA		CRD21	0406-001172	DIODE-TVS;CDS3C30GTH,48/-50V,SMD	1	SA	
BL1	2701-000002	INDUCTOR-AXIAL;100UH,10%,4298	1	SA		CRD22	0406-001172	DIODE-TVS;CDS3C30GTH,48/-50V,SMD	1	SA	
BL4	2701-000002	INDUCTOR-AXIAL;100UH,10%,4298	1	SA		CRD25	0403-001083	DIODE-ZENER;UDZ9.1B,8.85-9.23V,200M	1	SA	
BL5	2701-000002	INDUCTOR-AXIAL;100UH,10%,4298	1	SA		CRD26	0403-001083	DIODE-ZENER;UDZ9.1B,8.85-9.23V,200M	1	SA	
BL6	2701-000002	INDUCTOR-AXIAL;100UH,10%,4298	1	SA		CRD27	0403-001083	DIODE-ZENER;UDZ9.1B,8.85-9.23V,200M	1	SA	
BQ1	0501-000362	TR-SMALL SIGNAL;KSC2328A-Y,NPN,1000	1	SA		CRD28	0403-001083	DIODE-ZENER;UDZ9.1B,8.85-9.23V,200M	1	SA	
BR2	2007-000090	R-CHIP;10Kohm,5%,1/10W,TP,1608	1	SA		CRD36	0403-001083	DIODE-ZENER;UDZ9.1B,8.85-9.23V,200M	1	SA	
BR3	2001-000405	R-CARBON;180OHM,5%,1/8W,AA,TP,1.8X3	1	SA		CRD37	0406-001172	DIODE-TVS;CDS3C30GTH,48/-50V,SMD	1	SA	
BR4	2007-000102	R-CHIP;100kohm,5%,1/10W,TP,1608	1	SA		CRD38	0406-001172	DIODE-TVS;CDS3C30GTH,48/-50V,SMD	1	SA	
C1P04	2401-002063	C-AL;330uF,20%,10V,GP,TP,6.3x11.5	1	SA		CRD39	0406-001172	DIODE-TVS;CDS3C30GTH,48/-50V,SMD	1	SA	
CC2	2203-000189	C-CER,CHIP;100nF,+80-20%,25V,Y5V,16	1	SA		CRD40	0406-001172	DIODE-TVS;CDS3C30GTH,48/-50V,SMD	1	SA	
CEQ1	0501-000341	TR-SMALL SIGNAL;KSC1623-L,NPN,200mW	1	SA		CRD41	0403-001083	DIODE-ZENER;UDZ9.1B,8.85-9.23V,200M	1	SA	
CEQ2	0505-000110	FET-SILICON;2N7002,N,60V,115mA,7.5o	1	SA		CRD42	0403-001083	DIODE-ZENER;UDZ9.1B,8.85-9.23V,200M	1	SA	
CIC1	0801-002701	IC-CMOS LOGIC;74VHCT125A,BUFFER,TSS	1	SA		CRD43	0403-001083	DIODE-ZENER;UDZ9.1B,8.85-9.23V,200M	1	SA	
CN1	3711-005563	HEADER-BOARD TO BOARD;BOX,30P,2R,2m	1	SA		CRD44	0403-001083	DIODE-ZENER;UDZ9.1B,8.85-9.23V,200M	1	SA	
CN2	3711-005563	HEADER-BOARD TO BOARD;BOX,30P,2R,2m	1	SA		CRD45	0403-001083	DIODE-ZENER;UDZ9.1B,8.85-9.23V,200M	1	SA	
CN701	3708-001167	CONNECTOR-FPC/FFC/PIC;14P,1.25mm,ST	1	SA		CRD46	0403-001083	DIODE-ZENER;UDZ9.1B,8.85-9.23V,200M	1	SA	
CN702	3708-001695	CONNECTOR-FPC/FFC/PIC;13P,1MM,STRAI	1	SA		CRD47	0403-001083	DIODE-ZENER;UDZ9.1B,8.85-9.23V,200M	1	SA	
CON1	3710-002087	SOCKET-BOARD TO CABLE;23P,1R,1.25mm	1	SA		CRD48	0403-001083	DIODE-ZENER;UDZ9.1B,8.85-9.23V,200M	1	SA	
CONHDD	3711-000240	HEADER-BOARD TO CABLE;1WALL,4P,1R,3	1	SA		CRD49	0403-001083	DIODE-ZENER;UDZ9.1B,8.85-9.23V,200M	1	SA	
CR10	2007-000084	R-CHIP;4.7Kohm,5%,1/10W,TP,1608	1	SA		DTM1	AK40-00035A	TUNER;DNOS443ZV261A,DVD-SH853,PAL&	1	SA	
CR12	2007-000084	R-CHIP;4.7Kohm,5%,1/10W,TP,1608	1	SA		FABD1	2007-000070	R-CHIP;0ohm,5%,1/10W,TP,1608	1	SA	
CR18	2007-000071	R-CHIP;22ohm,5%,1/10W,TP,1608	1	SA		FABD2	2007-000070	R-CHIP;0ohm,5%,1/10W,TP,1608	1	SA	
CR23	2007-001157	R-CHIP;750ohm,5%,1/10W,TP,1608	1	SA		FABD3	2007-000070	R-CHIP;0ohm,5%,1/10W,TP,1608	1	SA	
CR24	2007-001157	R-CHIP;750ohm,5%,1/10W,TP,1608	1	SA		FABD4	2007-000070	R-CHIP;0ohm,5%,1/10W,TP,1608	1	SA	
CR25	2007-001157	R-CHIP;750ohm,5%,1/10W,TP,1608	1	SA		FABD9	3301-001419	BEAD-SMD;220ohm,1608,TP,133ohm70MH	1	SA	
CR26	2007-000071	R-CHIP;22ohm,5%,1/10W,TP,1608	1	SA		FAC10	2203-001126	C-CER,CHIP;0.68nF,10%,50V,X7R,1608	1	SA	
CR27	2007-000084	R-CHIP;4.7Kohm,5%,1/10W,TP,1608	1	SA		FAC11	2203-001126	C-CER,CHIP;0.68nF,10%,50V,X7R,1608	1	SA	
CR28	2001-000734	R-CARBON;4.7KOHM,5%,1/8W,AA,TP,1.8X	1	SA		FAC5	2203-000491	C-CER,CHIP;2.2nF,10%,50V,X7R,1608	1	SA	
CR29	2007-000084	R-CHIP;4.7Kohm,5%,1/10W,TP,1608	1	SA		FAC6	2203-001126	C-CER,CHIP;0.68nF,10%,50V,X7R,1608	1	SA	
CR30	2007-000084	R-CHIP;4.7Kohm,5%,1/10W,TP,1608	1	SA		FAC7	2203-000783	C-CER,CHIP;0.33nF,5%,50V,COG,1608	1	SA	
CR31	2007-000078	R-CHIP;1Kohm,5%,1/10W,TP,1608	1	SA		FAC8	2203-000783	C-CER,CHIP;0.33nF,5%,50V,COG,1608	1	SA	
CR32	2007-000081	R-CHIP;2.7Kohm,5%,1/10W,TP,1608	1	SA		FAC9	2203-000491	C-CER,CHIP;2.2nF,10%,50V,X7R,1608	1	SA	
CR33	2007-000096	R-CHIP;30Kohm,5%,1/10W,TP,1608	1	SA		FAJK1	3722-002383	JACK-IEEE1394;4P1,AU,BLK,ANGLE,IEE	1	SA	
CR35	2007-000084	R-CHIP;4.7Kohm,5%,1/10W,TP,1608	1	SA		FAL1	2703-000301	INDUCTOR-SMD;2.7uH,10%,1608	1	SA	
CR36	2001-000515	R-CARBON;220OHM,5%,1/8W,AA,TP,1.8X3	1	SA		FAL2	2701-000181	INDUCTOR-AXIAL;33uH,5%,2434	1	SA	
CR5	2007-000075	R-CHIP;220ohm,5%,1/10W,TP,1608	1	SA		FAL3	2701-000181	INDUCTOR-AXIAL;33uH,5%,2434	1	SA	
CR6	2007-000075	R-CHIP;220ohm,5%,1/10W,TP,1608	1	SA		FAL4	2703-000301	INDUCTOR-SMD;2.7uH,10%,1608	1	SA	
CR7	2007-000084	R-CHIP;4.7Kohm,5%,1/10W,TP,1608	1	SA		FALD1	0601-002420	LED;ROUND,BLUE,3.0mm,470nm,3.0x5.5	1	SA	
CR8	2007-000084	R-CHIP;4.7Kohm,5%,1/10W,TP,1608	1	SA		FAR1	2007-000074	R-CHIP;100ohm,5%,1/10W,TP,1608	1	SA	
CR9	2007-000084	R-CHIP;4.7Kohm,5%,1/10W,TP,1608	1	SA		FAR2	2007-001167	R-CHIP;75ohm,5%,1/10W,TP,1608	1	SA	
CRD02	0406-001172	DIODE-TVS;CDS3C30GTH,48/-50V,SMD	1	SA		FC03	2203-000552	C-CER,CHIP;0.02nF,5%,50V,COG,1608	1	SA	
CRD03	0406-001172	DIODE-TVS;CDS3C30GTH,48/-50V,SMD	1	SA		FC04	2203-000552	C-CER,CHIP;0.02nF,5%,50V,COG,1608	1	SA	
CRD04	0406-001172	DIODE-TVS;CDS3C30GTH,48/-50V,SMD	1	SA		FC05	2203-000975	C-CER,CHIP;47nF,10%,25V,X7R,TP,1608	1	SA	
CRD05	0403-001083	DIODE-ZENER;UDZ9.1B,8.85-9.23V,200M	1	SA		FC06	2203-000257	C-CER,CHIP;10nF,10%,50V,X7R,TP,1608	1	SA	
CRD06	0403-001083	DIODE-ZENER;UDZ9.1B,8.85-9.23V,200M	1	SA		FC07	2203-005148	C-CER,CHIP;100nF,10%,16V,X7R,TP,160	1	SA	
CRD07	0406-001172	DIODE-TVS;CDS3C30GTH,48/-50V,SMD	1	SA		FC08	2203-000236	C-CER,CHIP;0.1nF,5%,50V,COG,1608	1	SA	
CRD08	0406-001172	DIODE-TVS;CDS3C30GTH,48/-50V,SMD	1	SA		FC09	2203-000257	C-CER,CHIP;10nF,10%,50V,X7R,TP,1608	1	SA	
CRD09	0406-001172	DIODE-TVS;CDS3C30GTH,48/-50V,SMD	1	SA		FC10	2203-000257	C-CER,CHIP;10nF,10%,50V,X7R,TP,1608	1	SA	
CRD10	0406-001172	DIODE-TVS;CDS3C30GTH,48/-50V,SMD	1	SA		FC11	2203-000257	C-CER,CHIP;10nF,10%,50V,X7R,TP,1608	1	SA	
CRD11	0406-001172	DIODE-TVS;CDS3C30GTH,48/-50V,SMD	1	SA							

Loc.No	Parts No.	Description : Specification	Q'ty	S.N.A	Remark	Loc.No	Parts No.	Description : Specification	Q'ty	S.N.A	Remark
FC12	2203-000257	C-CER,CHIP;10nF,10%,50V,X7R,TP,1608	1	SA		IC218	1103-000138	IC-EEPROM;24C16,16kbit,2Kx8Bit,SOP,	1	SA	
FC13	2203-000257	C-CER,CHIP;10nF,10%,50V,X7R,TP,1608	1	SA		JK701	3722-002384	JACK-PIN;3P,SN/NI,YEL/WHT/RED,ANGLE	1	SA	
FCON1	3708-001695	CONNECTOR-FPC/FFC/PIC;13P,1MM,STRAI	1	SA		LD61A	AK61-00531A	HOLDER-LED;DVD-R145,ABS 94HB,T2,W15	1	SA	
FD1	0401-000005	DIODE-SWITCHING;1N4148,75V,150mA,DO	1	SA		MC1	2203-005148	C-CER,CHIP;100nF,10%,16V,X7R,TP,160	1	SA	
FEC2	2401-003221	C-AL;100uF,20%,16V,GP,TP,8X5,2.5	1	SA		MC3	2203-000998	C-CER,CHIP;0.047nF,5%,50V,COG,1608	1	SA	
FIC1	AK09-00184A	IC MICOM;uPD78F0526,ALVIS,52,5V,32,	1	SNA		MC5	2203-005148	C-CER,CHIP;100nF,10%,16V,X7R,TP,160	1	SA	
FIC3	0801-002741	IC-CMOS LOGIC;4053,MUX,SSOP,16P,5X4	1	SA		ME5	2401-002063	C-AL;330uF,20%,10V,GP,TP,6.3x11,5	1	SA	
FIC4	AC14-12006C	IC;KA7533,DIP,-	1	SA		ME7	2401-002063	C-AL;330uF,20%,10V,GP,TP,6.3x11,5	1	SA	
FIC5	0801-002097	IC-CMOS LOGIC;7ST08,AND GATE,SOP,5P	1	SA		MR2	2007-001167	R-CHIP;75ohm,5%,1/10W,TP,1608	1	SA	
FL355	3809-002070	CABLE-FLAT;30V,80C,150mm,13P,1mm,UL	1	SA		MR7	2007-001167	R-CHIP;75ohm,5%,1/10W,TP,1608	1	SA	
FQ1	0504-000129	TR-DIGITAL;KSR1104,NPN,200mW,47K/47	1	SA		MR9	2007-001167	R-CHIP;75ohm,5%,1/10W,TP,1608	1	SA	
FR02	2001-000429	R-CARBON;1KOHM,5%,1/8W,AA,TP,1.8X3.	1	SA		PPLF1	2701-000002	INDUCTOR-AXIAL;100UH,10%,4298	1	SA	
FR05	2007-000070	R-CHIP;0ohm,5%,1/10W,TP,1608	1	SA		PPLF3	2701-000002	INDUCTOR-AXIAL;100UH,10%,4298	1	SA	
FR06	2007-000070	R-CHIP;0ohm,5%,1/10W,TP,1608	1	SA		PPLF4	2701-000002	INDUCTOR-AXIAL;100UH,10%,4298	1	SA	
FR07	2007-000070	R-CHIP;0ohm,5%,1/10W,TP,1608	1	SA		PPLF5	2701-000002	INDUCTOR-AXIAL;100UH,10%,4298	1	SA	
FR08	2001-000734	R-CARBON;4.7KOHM,5%,1/8W,AA,TP,1.8X	1	SA		Q1	0505-000110	FET-SILICON;2N7002,N,60V,115mA,7.5o	1	SA	
FR09	2001-000734	R-CARBON;4.7KOHM,5%,1/8W,AA,TP,1.8X	1	SA		Q2	0505-000110	FET-SILICON;2N7002,N,60V,115mA,7.5o	1	SA	
FR10	2007-000084	R-CHIP;4.7Kohm,5%,1/10W,TP,1608	1	SA		R1P104	2001-000333	R-CARBON;120HM,5%,1/4W,AA,TP,2.4X6.	1	SA	
FR11	2007-000084	R-CHIP;4.7Kohm,5%,1/10W,TP,1608	1	SA		R1P105	2001-000038	R-CARBON;390OHM,5%,1/4W,AA,TP,2.4X6	1	SA	
FR12	2001-000429	R-CARBON;1KOHM,5%,1/8W,AA,TP,1.8X3.	1	SA		R1P106	2001-000290	R-CARBON;10KOHM,5%,1/8W,AA,TP,1.8X3	1	SA	
FR13	2001-000281	R-CARBON;100OHM,5%,1/8W,AA,TP,1.8X3	1	SA		SC10	2203-000491	C-CER,CHIP;2.2nF,10%,50V,X7R,1608	1	SA	
FR14	2001-000281	R-CARBON;100OHM,5%,1/8W,AA,TP,1.8X3	1	SA		SC12	2203-000491	C-CER,CHIP;2.2nF,10%,50V,X7R,1608	1	SA	
FR17	2007-000078	R-CHIP;1Kohm,5%,1/10W,TP,1608	1	SA		SC13	2203-005148	C-CER,CHIP;100nF,10%,16V,X7R,TP,160	1	SA	
FR18	2007-000078	R-CHIP;1Kohm,5%,1/10W,TP,1608	1	SA		SC14	2203-000491	C-CER,CHIP;2.2nF,10%,50V,X7R,1608	1	SA	
FR19	2007-000078	R-CHIP;1Kohm,5%,1/10W,TP,1608	1	SA		SC15	2203-005148	C-CER,CHIP;100nF,10%,16V,X7R,TP,160	1	SA	
FR20	2007-000078	R-CHIP;1Kohm,5%,1/10W,TP,1608	1	SA		SC16	2203-000236	C-CER,CHIP;0.1nF,5%,50V,COG,1608	1	SA	
FR22	2001-000281	R-CARBON;100OHM,5%,1/8W,AA,TP,1.8X3	1	SA		SC18	2203-000236	C-CER,CHIP;0.1nF,5%,50V,COG,1608	1	SA	
FR23	2001-000793	R-CARBON;47OHM,5%,1/8W,AA,TP,1.8X3.	1	SA		SC2	2203-005148	C-CER,CHIP;100nF,10%,16V,X7R,TP,160	1	SA	
FR24	2001-000793	R-CARBON;47OHM,5%,1/8W,AA,TP,1.8X3.	1	SA		SC21	2203-000236	C-CER,CHIP;0.1nF,5%,50V,COG,1608	1	SA	
FR25	2001-000793	R-CARBON;47OHM,5%,1/8W,AA,TP,1.8X3.	1	SA		SC23	2203-000236	C-CER,CHIP;0.1nF,5%,50V,COG,1608	1	SA	
FR26	2001-000793	R-CARBON;47OHM,5%,1/8W,AA,TP,1.8X3.	1	SA		SC25	2203-000236	C-CER,CHIP;0.1nF,5%,50V,COG,1608	1	SA	
FR27	2001-000793	R-CARBON;47OHM,5%,1/8W,AA,TP,1.8X3.	1	SA		SC26	2203-001607	C-CER,CHIP;0.22nF,5%,50V,NP0,1608	1	SA	
FR28	2001-000793	R-CARBON;47OHM,5%,1/8W,AA,TP,1.8X3.	1	SA		SC27	2203-000236	C-CER,CHIP;0.1nF,5%,50V,COG,1608	1	SA	
FR29	2007-000084	R-CHIP;4.7Kohm,5%,1/10W,TP,1608	1	SA		SC28	2203-001607	C-CER,CHIP;0.22nF,5%,50V,NP0,1608	1	SA	
FR30	2007-000084	R-CHIP;4.7Kohm,5%,1/10W,TP,1608	1	SA		SC29	2203-000236	C-CER,CHIP;0.1nF,5%,50V,COG,1608	1	SA	
FR31	2001-000793	R-CARBON;47OHM,5%,1/8W,AA,TP,1.8X3.	1	SA		SC3	2203-000236	C-CER,CHIP;0.1nF,5%,50V,COG,1608	1	SA	
FR32	2007-000084	R-CHIP;4.7Kohm,5%,1/10W,TP,1608	1	SA		SC30	2203-001607	C-CER,CHIP;0.22nF,5%,50V,NP0,1608	1	SA	
FR36	2001-000290	R-CARBON;10KOHM,5%,1/8W,AA,TP,1.8X3	1	SA		SC31	2203-000236	C-CER,CHIP;0.1nF,5%,50V,COG,1608	1	SA	
FR39	2007-000070	R-CHIP;0ohm,5%,1/10W,TP,1608	1	SA		SC33	2203-000236	C-CER,CHIP;0.1nF,5%,50V,COG,1608	1	SA	
FR40	2007-000074	R-CHIP;100ohm,5%,1/10W,TP,1608	1	SA		SC35	2203-005148	C-CER,CHIP;100nF,10%,16V,X7R,TP,160	1	SA	
FR41	2007-000070	R-CHIP;0ohm,5%,1/10W,TP,1608	1	SA		SC36	2203-001607	C-CER,CHIP;0.22nF,5%,50V,NP0,1608	1	SA	
FR47	2007-000074	R-CHIP;100ohm,5%,1/10W,TP,1608	1	SA		SC37	2203-001607	C-CER,CHIP;0.22nF,5%,50V,NP0,1608	1	SA	
FR48	2001-000429	R-CARBON;1KOHM,5%,1/8W,AA,TP,1.8X3.	1	SA		SC5	2203-000236	C-CER,CHIP;0.1nF,5%,50V,COG,1608	1	SA	
FR55	2007-000074	R-CHIP;100ohm,5%,1/10W,TP,1608	1	SA		SC6	2203-000236	C-CER,CHIP;0.1nF,5%,50V,COG,1608	1	SA	
FR56	2007-000074	R-CHIP;100ohm,5%,1/10W,TP,1608	1	SA		SC7	2203-000236	C-CER,CHIP;0.1nF,5%,50V,COG,1608	1	SA	
FR57	2007-000074	R-CHIP;100ohm,5%,1/10W,TP,1608	1	SA		SC8	2203-000236	C-CER,CHIP;0.1nF,5%,50V,COG,1608	1	SA	
FR58	2007-000078	R-CHIP;1Kohm,5%,1/10W,TP,1608	1	SA		SC9	2203-000491	C-CER,CHIP;2.2nF,10%,50V,X7R,1608	1	SA	
FR59	2007-000090	R-CHIP;10Kohm,5%,1/10W,TP,1608	1	SA		SD1	0401-000005	DIODE-SWITCHING;1N4148,75V,150mA,DO	1	SA	
FR60	2001-000290	R-CARBON;10KOHM,5%,1/8W,AA,TP,1.8X3	1	SA		SD2	0407-000114	DIODE-ARRAY;-80V,100mA,CA2-3,SOT-2	1	SA	
FR61	2007-000078	R-CHIP;1Kohm,5%,1/10W,TP,1608	1	SA		SD3	0407-000114	DIODE-ARRAY;-80V,100mA,CA2-3,SOT-2	1	SA	
FR62	2007-000081	R-CHIP;2.7Kohm,5%,1/10W,TP,1608	1	SA		SE1	2401-001479	C-AL;470uF,20%,10V,GP,TP,6.3*11mm,5	1	SA	
FR63	2007-000081	R-CHIP;2.7Kohm,5%,1/10W,TP,1608	1	SA		SE10	2401-003221	C-AL;100uF,20%,16V,GP,TP,8X5,2.5	1	SA	
FR67	2007-000074	R-CHIP;100ohm,5%,1/10W,TP,1608	1	SA		SE11	2401-001479	C-AL;470uF,20%,10V,GP,TP,6.3*11mm,5	1	SA	
FR73	2007-000084	R-CHIP;4.7Kohm,5%,1/10W,TP,1608	1	SA		SE13	2401-003221	C-AL;100uF,20%,16V,GP,TP,8X5,2.5	1	SA	
FR74	2007-000084	R-CHIP;4.7Kohm,5%,1/10W,TP,1608	1	SA		SE14	2401-000408	C-AL;10uF,20%,16V,GP,TP,3.5x5,2.5	1	SA	
FR77	2007-000078	R-CHIP;1Kohm,5%,1/10W,TP,1608	1	SA		SE3	2401-001479	C-AL;470uF,20%,10V,GP,TP,6.3*11mm,5	1	SA	
FX2	2801-004709	CRYSTAL-UNIT;20.0MHz,20ppm,28-AAA,1	1	SA		SE4	2401-001479	C-AL;470uF,20%,10V,GP,TP,6.3*11mm,5	1	SA	
IC216	1001-001368	IC-AV SWITCH;HA118827,-,QFP,56P,12,	1	SA		SIC2	1204-001748	IC-SELECTOR;MM1503XN,SOP,6P,63MIL,P	1	SA	
IC217	1201-000163	IC-OP AMP;4560,SOP,8P,173MIL,DUAL,1	1	SA		SJACK1	3722-002321	JACK-SCART;42P,-,SN+PB,BLK,-	1	SA	

Exploded Views and Parts List

Loc.No	Parts No.	Description : Specification	Q'ty	S.N.A	Remark	Loc.No	Parts No.	Description : Specification	Q'ty	S.N.A	Remark
SJACK2	3722-002660	JACK-PIN;7P,SN/NI,RD/BU/GN/RD/WT/YL	1	SA		SR48	2007-000078	R-CHIP;1Kohm,5%,1/10W,TP,1608	1	SA	
SJACK3	3707-001070	CONNECTOR-OPTICAL;PLUG,GP1FA550TZ,6	1	SA		SR51	2007-000040	R-CHIP;150ohm,1%,1/10W,TP,1608	1	SA	
SL1	2701-000181	INDUCTOR-AXIAL;33uH,5%,2434	1	SA		SR52	2007-000074	R-CHIP;100ohm,5%,1/10W,TP,1608	1	SA	
SL10	2701-000181	INDUCTOR-AXIAL;33uH,5%,2434	1	SA		SR53	2007-000075	R-CHIP;220ohm,5%,1/10W,TP,1608	1	SA	
SL12	2701-000181	INDUCTOR-AXIAL;33uH,5%,2434	1	SA		SR56	2001-000515	R-CARBON;220OHM,5%,1/8W,AA,TP,1.8X3	1	SA	
SL13	AC27-92001M	COIL-INDUCTOR;RH3.5X6.5RS,BEAD(RADI	1	SC		SR59	2007-000078	R-CHIP;1Kohm,5%,1/10W,TP,1608	1	SA	
SL14	2701-000117	INDUCTOR-AXIAL;10uH,5%,2434	1	SA		SR6	2007-000119	R-CHIP;560ohm,5%,1/10W,TP,1608	1	SA	
SL15	2701-000181	INDUCTOR-AXIAL;33uH,5%,2434	1	SA		SR60	2001-000515	R-CARBON;220OHM,5%,1/8W,AA,TP,1.8X3	1	SA	
SL16	2701-000181	INDUCTOR-AXIAL;33uH,5%,2434	1	SA		SR61	2007-000078	R-CHIP;1Kohm,5%,1/10W,TP,1608	1	SA	
SL17	2701-000181	INDUCTOR-AXIAL;33uH,5%,2434	1	SA		SR62	2001-000429	R-CARBON;1KOHM,5%,1/8W,AA,TP,1.8X3.	1	SA	
SL18	AC27-92001M	COIL-INDUCTOR;RH3.5X6.5RS,BEAD(RADI	1	SC		SR65	2007-000119	R-CHIP;560ohm,5%,1/10W,TP,1608	1	SA	
SL2	3301-001419	BEAD-SMD;220ohm,1608,TP,133ohm/70MH	1	SA		SR66	2007-000119	R-CHIP;560ohm,5%,1/10W,TP,1608	1	SA	
SL3	2701-000181	INDUCTOR-AXIAL;33uH,5%,2434	1	SA		SR67	2007-000070	R-CHIP;0ohm,5%,1/10W,TP,1608	1	SA	
SL4	3301-001419	BEAD-SMD;220ohm,1608,TP,133ohm/70MH	1	SA		SR68	2007-000070	R-CHIP;0ohm,5%,1/10W,TP,1608	1	SA	
SL5	2701-000181	INDUCTOR-AXIAL;33uH,5%,2434	1	SA		SR7	2007-001167	R-CHIP;75ohm,5%,1/10W,TP,1608	1	SA	
SL6	3301-001419	BEAD-SMD;220ohm,1608,TP,133ohm/70MH	1	SA		SR74	2007-000075	R-CHIP;220ohm,5%,1/10W,TP,1608	1	SA	
SL7	2007-000070	R-CHIP;0ohm,5%,1/10W,TP,1608	1	SA		SR75	2007-000075	R-CHIP;220ohm,5%,1/10W,TP,1608	1	SA	
SL8	3301-001419	BEAD-SMD;220ohm,1608,TP,133ohm/70MH	1	SA		SR77	2007-000070	R-CHIP;0ohm,5%,1/10W,TP,1608	1	SA	
SQ1	0501-000341	TR-SMALL SIGNAL;KSC1623-L,NPN,200mW	1	SA		SR9	2007-001167	R-CHIP;75ohm,5%,1/10W,TP,1608	1	SA	
SQ2	0504-000129	TR-DIGITAL;KSR1104,NPN,200mW,47K/47	1	SA		SW1	3404-001261	SWITCH-TACT;15V DC,20mA,100gf,7.4X7	1	SA	
SQ3	0504-000152	TR-DIGITAL;KSR2101,PNP,200mW,4.7K/4	1	SA		SZD4	0403-001083	DIODE-ZENER;UDZ9.1B,8.85-9.23V,200M	1	SA	
SQ4	0504-000129	TR-DIGITAL;KSR1104,NPN,200mW,47K/47	1	SA		SZD9	0403-000361	DIODE-ZENER;UZ6.2BSB,5.96-6.27V,500	1	SA	
SQ5	0504-000152	TR-DIGITAL;KSR2101,PNP,200mW,4.7K/4	1	SA		TC11	2203-005148	C-CER,CHIP;100nF,10%,16V,X7R,TP,160	1	SA	
SQ6	0504-000129	TR-DIGITAL;KSR1104,NPN,200mW,47K/47	1	SA		TC12	2203-005148	C-CER,CHIP;100nF,10%,16V,X7R,TP,160	1	SA	
SQ7	0501-000398	TR-SMALL SIGNAL;KSC945-Y,NPN,250mW,	1	SA		TC13	2203-005148	C-CER,CHIP;100nF,10%,16V,X7R,TP,160	1	SA	
SQ8	0501-000398	TR-SMALL SIGNAL;KSC945-Y,NPN,250mW,	1	SA		TC16	2203-000998	C-CER,CHIP;0.047nF,5%,50V,COG,1608	1	SA	
SR1	2007-000115	R-CHIP;82ohm,5%,1/10W,TP,1608	1	SA		TD11	0401-000005	DIODE-SWITCHING;1N4148,75V,150mA,DO	1	SA	
SR10	2007-000102	R-CHIP;100Kohm,5%,1/10W,TP,1608	1	SA		TD12	0403-000390	DIODE-ZENER;UZP33B,1N4752A,31.4-34.	1	SA	
SR13	2007-000102	R-CHIP;100Kohm,5%,1/10W,TP,1608	1	SA		TE11	2401-002300	C-AL;47#F,20%,50V,GP,TP,6.3x11.5mm	1	SA	
SR15	2007-000070	R-CHIP;0ohm,5%,1/10W,TP,1608	1	SA		TE12	2401-001479	C-AL;470uF,20%,10V,GP,TP,6.3*11mm,5	1	SA	
SR16	2001-000281	R-CARBON;100OHM,5%,1/8W,AA,TP,1.8X3	1	SA		TE13	2401-001479	C-AL;470uF,20%,10V,GP,TP,6.3*11mm,5	1	SA	
SR17	2007-000070	R-CHIP;0ohm,5%,1/10W,TP,1608	1	SA		TE14	2401-001077	C-AL;330nF,20%,50V,GP,TP,4x7mm,5mm	1	SA	
SR18	2007-000070	R-CHIP;0ohm,5%,1/10W,TP,1608	1	SA		TE15	2401-001479	C-AL;470uF,20%,10V,GP,TP,6.3*11mm,5	1	SA	
SR19	2007-001167	R-CHIP;75ohm,5%,1/10W,TP,1608	1	SA		TE16	2401-001479	C-AL;470uF,20%,10V,GP,TP,6.3*11mm,5	1	SA	
SR20	2007-001167	R-CHIP;75ohm,5%,1/10W,TP,1608	1	SA		TL11	2007-000033	R-CHIP;0ohm,5%,1/4W,TP,3216	1	SA	
SR21	2007-000070	R-CHIP;0ohm,5%,1/10W,TP,1608	1	SA		TL13	2701-000002	INDUCTOR-AXIAL;100UH,10%,4298	1	SA	
SR23	2007-000070	R-CHIP;0ohm,5%,1/10W,TP,1608	1	SA		TR12	2007-000070	R-CHIP;0ohm,5%,1/10W,TP,1608	1	SA	
SR24	2007-001167	R-CHIP;75ohm,5%,1/10W,TP,1608	1	SA		TR14	2007-000072	R-CHIP;47ohm,5%,1/10W,TP,1608	1	SA	
SR25	2001-000660	R-CARBON;33KOHM,5%,1/8W,AA,TP,1.8X3	1	SA		TR15	2007-000072	R-CHIP;47ohm,5%,1/10W,TP,1608	1	SA	
SR27	2001-000857	R-CARBON;560OHM,5%,1/8W,AA,TP,1.8X3	1	SA		TR17	2007-001167	R-CHIP;75ohm,5%,1/10W,TP,1608	1	SA	
SR28	2007-001167	R-CHIP;75ohm,5%,1/10W,TP,1608	1	SA		USC1	2401-003221	C-AL;100uF,20%,16V,GP,TP,8X5,2.5	1	SA	
SR3	2007-000084	R-CHIP;4.7Kohm,5%,1/10W,TP,1608	1	SA		USC2	2203-005148	C-CER,CHIP;100nF,10%,16V,X7R,TP,160	1	SA	
SR30	2007-000078	R-CHIP;1Kohm,5%,1/10W,TP,1608	1	SA		USC3	2203-002605	C-CER,CHIP;0.008nF,0.25pF,50V,NP0,T	1	SA	
SR31	2007-001167	R-CHIP;75ohm,5%,1/10W,TP,1608	1	SA		USC4	2203-002605	C-CER,CHIP;0.008nF,0.25pF,50V,NP0,T	1	SA	
SR32	2007-000094	R-CHIP;22Kohm,5%,1/10W,TP,1608	1	SA		USCN1	3711-001018	HEADER-BOARD TO CABLE;BOX,5P,1R,2mm	1	SA	
SR34	2203-000236	C-CER,CHIP;0.1nF,5%,50V,COG,1608	1	SA		USJK1	3722-002674	JACK-USB;4P/1C,Au,WHITE,ANGLE,-	1	SA	
SR35	2007-000079	R-CHIP;1.8Kohm,5%,1/10W,TP,1608	1	SA		W001	6003-000275	SCREW-TAPTITE;BH,+,-,B,M3,L10,ZPC(B	2	SA	
SR36	2203-000236	C-CER,CHIP;0.1nF,5%,50V,COG,1608	1	SA		W01	2007-000070	R-CHIP;0ohm,5%,1/10W,TP,1608	1	SA	
SR37	2007-000079	R-CHIP;1.8Kohm,5%,1/10W,TP,1608	1	SA		W02	2007-000070	R-CHIP;0ohm,5%,1/10W,TP,1608	1	SA	
SR38	2203-000236	C-CER,CHIP;0.1nF,5%,50V,COG,1608	1	SA		W03	2007-000070	R-CHIP;0ohm,5%,1/10W,TP,1608	1	SA	
SR4	2007-001167	R-CHIP;75ohm,5%,1/10W,TP,1608	1	SA		W05	2007-000070	R-CHIP;0ohm,5%,1/10W,TP,1608	1	SA	
SR40	2001-000969	R-CARBON;75OHM,5%,1/8W,AA,TP,1.8X3.	1	SA		W06	2007-000070	R-CHIP;0ohm,5%,1/10W,TP,1608	1	SA	
SR41	2001-000969	R-CARBON;75OHM,5%,1/8W,AA,TP,1.8X3.	1	SA		W268	2007-000070	R-CHIP;0ohm,5%,1/10W,TP,1608	1	SA	
SR42	2001-000969	R-CARBON;75OHM,5%,1/8W,AA,TP,1.8X3.	1	SA		W268	6003-000254	SCREW-TAPTITE;BH,+,-,S,M3,L6,ZPC(WH	1	SA	
SR43	2007-000102	R-CHIP;100Kohm,5%,1/10W,TP,1608	1	SA		W275	6003-001561	SCREW-TAPTITE;BH,+,-,B,M3,L6,ZPC(WH	6	SA	
SR44	2001-000857	R-CARBON;560OHM,5%,1/8W,AA,TP,1.8X3	1	SA		ZD1P05	0403-000388	DIODE-ZENER;UZP27B,2.5-30V,1000MW,	1	SA	
SR45	2007-000102	R-CHIP;100Kohm,5%,1/10W,TP,1608	1	SA		ZD1P06	0403-000718	DIODE-ZENER;MTZJ6.8B,6.52-6.79V,500	1	SA	
SR46	2007-000119	R-CHIP;560ohm,5%,1/10W,TP,1608	1	SA							
SR47	2007-000119	R-CHIP;560ohm,5%,1/10W,TP,1608	1	SA							

Loc.No	Parts No.	Description : Specification	Q'ty	S.N.A	Remark
C011	AK61-00519A	SPRING ETC-DOOR;DVD-SR420,STS304WPB	1	SA	
C527	AB59-00028A	HDD;2MB,ST3160215ACE.63,16,16,383,	1	SC	
C657	AK64-02120A	DOOR-JACK;DVD-SH875,ABS+PMMA,T2.0,2	1	SA	
C701	AB73-00011A	RUBBER-HDD;SHR-4040P,RUBBER,-,HS40,	4	SA	
C928	AK63-00197A	GASKET-EMI;DP-R1,EMI sheet,T0.1,W75	1	SA	
C-AV	AC39-42001R	CABLE-AV;PVC,-,-,3P,-,-	1	SA	
C-ETC	AC39-00017A	CABLE-ETC-RF(PAL);-,MALE/FEMALE,120	1	SC	
FL352	3809-002072	CABLE-FLAT;30V,80C,145mm,40P,0.5mm,	1	SA	
FL353	3809-002073	CABLE-FLAT;30V,80C,165mm,40P,0.5mm,	1	SA	
HDD_CO	3710-002234	SOCKET-BOARD TO BOARD;40P,2R,2.54mm	1	SA	
I/B	AK68-01628A	MANUAL USERS;DVD-SH875/XET,XET,ITA,	1	SA	
P-CASE	AK69-00594B	PACKING CASE;DVD-SH873/XEF,CB,SW2,	1	SA	
VS239	AK39-00124A	LEAD CONNECTOR;-,-,4,155,WHT,-,SM	1	SA	
W001	6003-000275	SCREW-TAPTITE;BH,+,-,B,M3,L10,ZPC/B	5	SA	
W271	6009-001411	SCREW-SPECIAL;TH,+,-,M5,L14,NI PLT,	2	SA	
W272	6003-001464	SCREW-TAPTITE;BH,+,-,B,M3,L10,ZPC(WHT	7	SA	
W275	6003-001561	SCREW-TAPTITE;BH,+,-,B,M3,L6,ZPC(WH	5	SA	
W309	6009-001382	SCREW-SPECIAL;PWH,+,-,6-32UNC,L14.7	4	SA	
W336	6001-000742	SCREW-INCH MACH;PH,+,-,UNC6-32,L4.2,Z	4	SA	

Loc.No	Parts No.	Description : Specification	Q'ty	S.N.A	Remark
--------	-----------	-----------------------------	------	-------	--------

# M E M O