

---

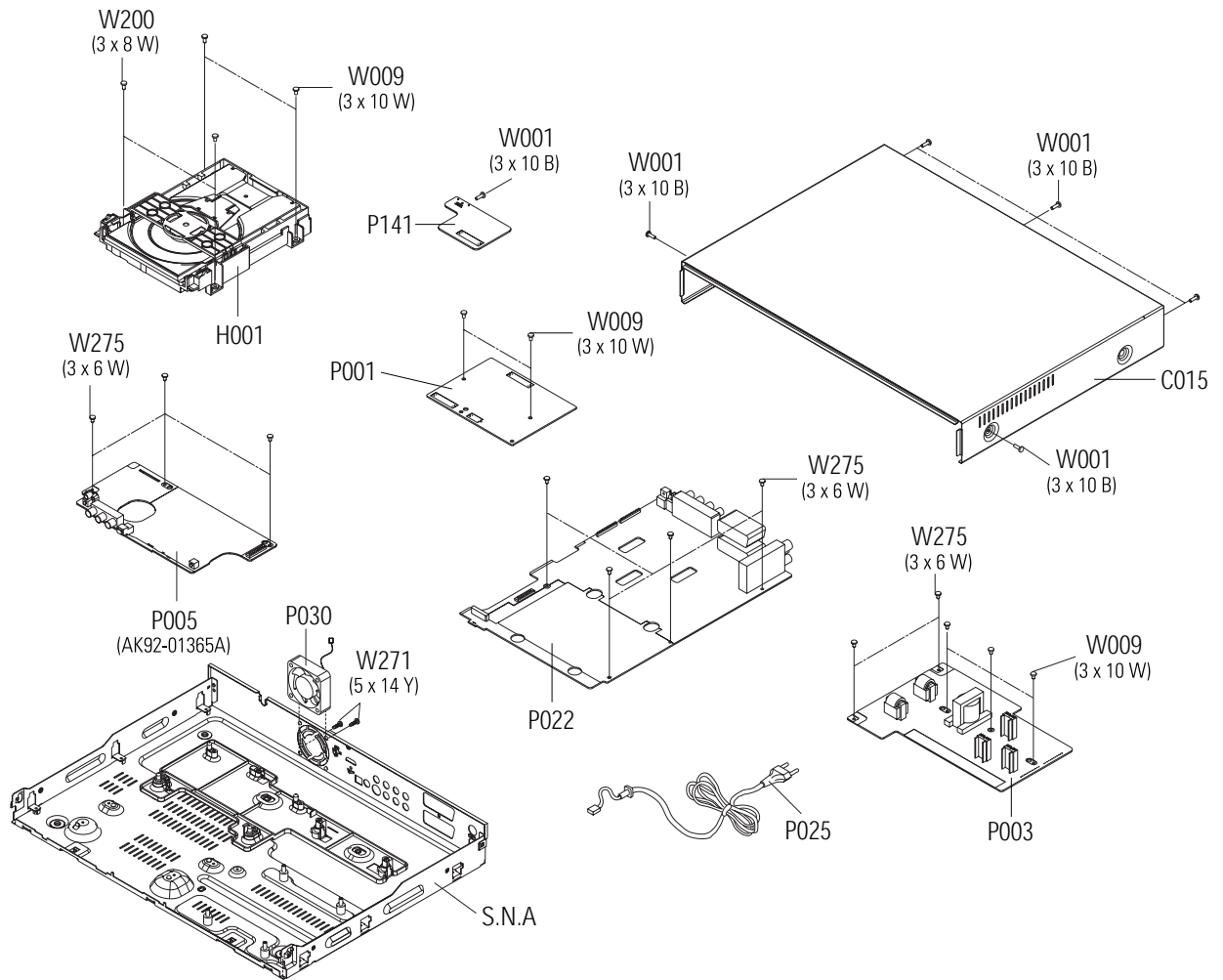
## 5. Exploded View and Parts List

---

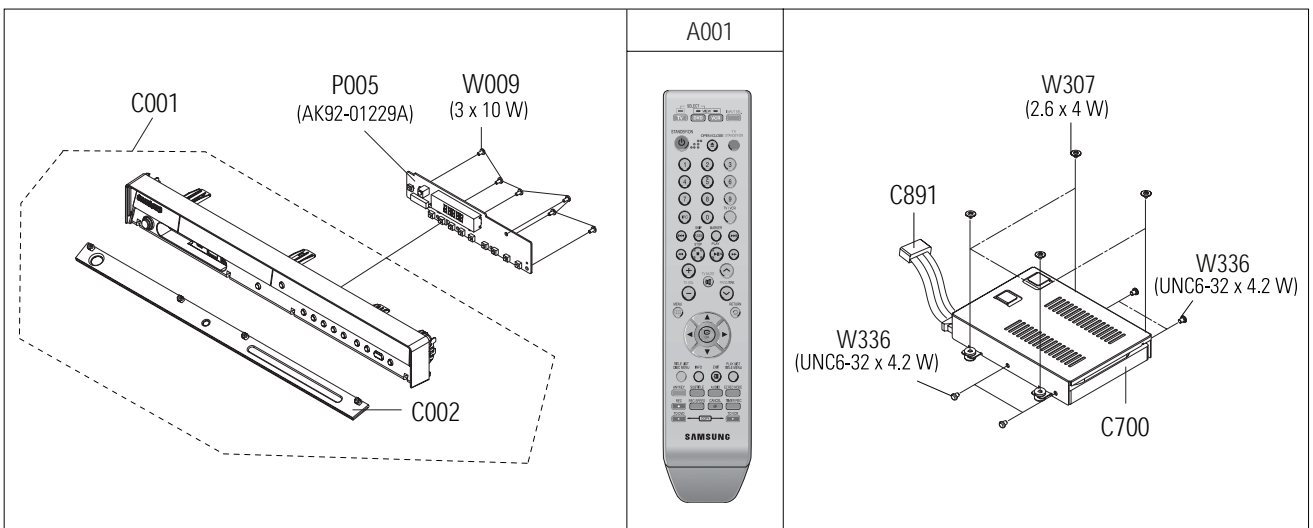
**5-1 Cabinet Assembly** - - - - - **5-2**

**5-2 Electrical Parts List** - - - - - **5-4**

## 5-1 Cabinet Assembly



● S.N.A.: Service Not Available



Loc. No	Parts No.	Description ; Specification	Q ty	S.N.A	Remark
A001	AK59-00062C	REMOCON-ASSY;DVD-SH855,SEC,217	1	SA	
C001	AK97-01911A	ASSY-PANEL FRONT;HIPS 94HB,DVD	1	SA	
C002	AK64-01943A	DOOR-TRAY;DVD-HR755/XEG,ABS 94	1	SA	
C015	AK64-01954A	CABINET-TOP;DVD-SH855,PCM,T0.5	1	SA	
C700	AK61-00336A	BRACKET-HDD/COVER;DVD-HR800,SE	1	SA	
C891	AK39-00097A	CBF HARNESS;DVD-SH835,-,-,4P,1	1	SA	
H001	AK97-01883E	ASSY-LOADER;-DVD-SH855,Full M	1	SA	
P001	AK92-01227A	ASSY PCB-MAIN;DVD-SH855/XEF,MA	1	SA	
P003	AK92-01232A	ASSY PCB-SMPS;DVD-SH855/XEF,SM	1	SA	
P005	AK92-01229A	ASSY PCB-FRONT;DVD-SH855/XEF,F	1	SA	
P005	AK92-01365A	ASSY PCB-FUNCTION;DVD-HR755,HD	1	SA	
P022	AK92-01228A	ASSY PCB-JACK;DVD-SH855/XEF,JA	1	SA	
P025	3903-000176	CBF-POWER CORD;AT,EU,CP2,HOUSI	1	SA	
P030	3103-001158	FAN-DC;12V,20mA,2000rpm,0.125m	1	SA	
P141	AK92-01231A	ASSY PCB-HDMI;DVD-SH855/XEF,HD	1	SA	
W001	6003-000275	SCREW-TAPTITE;BH,+,-,B,M3,L10,	6	SA	
W009	6003-000276	SCREW-TAPTITE;BH,+,-,B,M3,L10,	13	SA	
W200	6003-001375	SCREW-TAPTITE;BH,+,-,B,M3,L8,Z	2	SA	
W271	6009-001411	SCREW-SPECIAL;TH,+,-,M5,L14,NI	2	SA	
W275	6003-001561	SCREW-TAPTITE;BH,+,-,B,M3,L6,Z	9	SA	
W307	6001-001868	SCREW-MACHINE;PWH,+,-,M2.6,L4,	4	SA	
W336	6001-000742	SCREW-INCH MACH;PH,+,-,UNC6-32,L	4	SA	

## 5-2 Electrical Parts List

Loc.No	Part No	Description ; Specification	Q'ty	S.N.A	Remark	Loc.No	Part No	Description ; Specification	Q'ty	S.N.A	Remark
<b>P001</b>	<b>AK92-01227A</b>	<b>ASSY PCB-MAIN;DVD-SH855/XEF,MA</b>	<b>1</b>	<b>SA</b>							
01-Mar	2011-000475	R-NET;33ohm,5%,1/16W,L,CHIP,8P	1	SA		IC203	1107-001694	IC-FLASH MEMORY;S29GL064A,64Mb	1	SNA	
02-Mar	2011-000475	R-NET;33ohm,5%,1/16W,L,CHIP,8P	1	SA		L1301	3301-001670	BEAD-SMD;60ohm,2012,3000mA,TP,	1	SA	
03-Mar	2011-000475	R-NET;33ohm,5%,1/16W,L,CHIP,8P	1	SA							
04-Mar	2011-000475	R-NET;33ohm,5%,1/16W,L,CHIP,8P	1	SA							
05-Mar	2011-000475	R-NET;33ohm,5%,1/16W,L,CHIP,8P	1	SA		L1302	3301-001670	BEAD-SMD;60ohm,2012,3000mA,TP,	1	SA	
06-Mar	2011-000475	R-NET;33ohm,5%,1/16W,L,CHIP,8P	1	SA		L1303	3301-001670	BEAD-SMD;60ohm,2012,3000mA,TP,	1	SA	
07-Mar	2011-000475	R-NET;33ohm,5%,1/16W,L,CHIP,8P	1	SA		MC10	2203-005148	C-CER,CHIP;100nF,10%,16V,X7R,1	1	SA	
08-Mar	2011-000475	R-NET;33ohm,5%,1/16W,L,CHIP,8P	1	SA		MC100	2203-005148	C-CER,CHIP;100nF,10%,16V,X7R,1	1	SA	
C1302	2203-005148	C-CER,CHIP;100nF,10%,16V,X7R,1	1	SA		MC101	2203-005148	C-CER,CHIP;100nF,10%,16V,X7R,1	1	SA	
C1303	2203-005148	C-CER,CHIP;100nF,10%,16V,X7R,1	1	SA		MC102	2203-000257	C-CER,CHIP;10nF,10%,50V,X7R,16	1	SA	
C1304	2203-005148	C-CER,CHIP;100nF,10%,16V,X7R,1	1	SA		MC103	2203-000257	C-CER,CHIP;10nF,10%,50V,X7R,16	1	SA	
C1307	2203-005148	C-CER,CHIP;100nF,10%,16V,X7R,1	1	SA		MC104	2203-005148	C-CER,CHIP;100nF,10%,16V,X7R,1	1	SA	
C1308	2203-000626	C-CER,CHIP;0.022nF,5%,50V,COG,	1	SA		MC105	2203-005148	C-CER,CHIP;100nF,10%,16V,X7R,1	1	SA	
C1309	2203-000626	C-CER,CHIP;0.022nF,5%,50V,COG,	1	SA		MC106	2203-000552	C-CER,CHIP;0.02nF,5%,50V,COG,1	1	SA	
C1310	2402-000170	C-AL,SMD;1uF,20%,50V,GP,TP,4.3	1	SA		MC107	2203-005148	C-CER,CHIP;100nF,10%,16V,X7R,1	1	SA	
C1311	2203-001607	C-CER,CHIP;0.22nF,5%,50V,NPO,1	1	SA		MC108	2203-005148	C-CER,CHIP;100nF,10%,16V,X7R,1	1	SA	
C1314	2402-001042	C-AL,SMD;100uF,20%,16V,GP,TP,6	1	SA		MC109	2203-005148	C-CER,CHIP;100nF,10%,16V,X7R,1	1	SA	
C1316	2203-005148	C-CER,CHIP;100nF,10%,16V,X7R,1	1	SA		MC11	2203-005148	C-CER,CHIP;100nF,10%,16V,X7R,1	1	SA	
C1317	2203-005148	C-CER,CHIP;100nF,10%,16V,X7R,1	1	SA		MC110	2203-005148	C-CER,CHIP;100nF,10%,16V,X7R,1	1	SA	
C1320	2203-005148	C-CER,CHIP;100nF,10%,16V,X7R,1	1	SA		MC111	2203-005148	C-CER,CHIP;100nF,10%,16V,X7R,1	1	SA	
C1322	2203-005148	C-CER,CHIP;100nF,10%,16V,X7R,1	1	SA		MC112	2203-005148	C-CER,CHIP;100nF,10%,16V,X7R,1	1	SA	
C1323	2203-005148	C-CER,CHIP;100nF,10%,16V,X7R,1	1	SA		MC113	2203-005148	C-CER,CHIP;100nF,10%,16V,X7R,1	1	SA	
CCE1	2203-001086	C-CER,CHIP;0.0050nF,0.25pF,50V	1	SA		MC114	2203-005148	C-CER,CHIP;100nF,10%,16V,X7R,1	1	SA	
CCE2	2203-001086	C-CER,CHIP;0.0050nF,0.25pF,50V	1	SA		MC115	2203-005148	C-CER,CHIP;100nF,10%,16V,X7R,1	1	SA	
CCE3	2203-001086	C-CER,CHIP;0.0050nF,0.25pF,50V	1	SA		MC116	2203-005148	C-CER,CHIP;100nF,10%,16V,X7R,1	1	SA	
CCE4	2203-001086	C-CER,CHIP;0.0050nF,0.25pF,50V	1	SA		MC117	2203-005148	C-CER,CHIP;100nF,10%,16V,X7R,1	1	SA	
CDY1	2203-000332	C-CER,CHIP;0.012nF,5%,50V,COG,	1	SA		MC118	2203-005148	C-CER,CHIP;100nF,10%,16V,X7R,1	1	SA	
CDY2	2203-000384	C-CER,CHIP;0.015nF,5%,50V,COG,	1	SA		MC119	2203-005148	C-CER,CHIP;100nF,10%,16V,X7R,1	1	SA	
CL1	2203-000440	C-CER,CHIP;1nF,10%,50V,X7R,160	1	SA		MC12	2203-005148	C-CER,CHIP;100nF,10%,16V,X7R,1	1	SA	
CON1	3710-002075	SOCKET-BOARD TO BOARD;30P,2R,2	1	SA		MC120	2203-005148	C-CER,CHIP;100nF,10%,16V,X7R,1	1	SA	
CON2	3710-002075	SOCKET-BOARD TO BOARD;30P,2R,2	1	SA		MC121	2203-005148	C-CER,CHIP;100nF,10%,16V,X7R,1	1	SA	
CON3	3710-002075	SOCKET-BOARD TO BOARD;30P,2R,2	1	SA		MC122	2203-005148	C-CER,CHIP;100nF,10%,16V,X7R,1	1	SA	
CSD1	2203-000257	C-CER,CHIP;10nF,10%,50V,X7R,16	1	SA		MC123	2203-005148	C-CER,CHIP;100nF,10%,16V,X7R,1	1	SA	
CSD2	2203-005148	C-CER,CHIP;100nF,10%,16V,X7R,1	1	SA		MC124	2203-005148	C-CER,CHIP;100nF,10%,16V,X7R,1	1	SA	
CSD3	2203-005148	C-CER,CHIP;100nF,10%,16V,X7R,1	1	SA		MC125	2203-005148	C-CER,CHIP;100nF,10%,16V,X7R,1	1	SA	
DECKCN	3708-001935	CONNECTOR-FPC/FFC/PIC;40P,0.5m	1	SA		MC126	2203-005148	C-CER,CHIP;100nF,10%,16V,X7R,1	1	SA	
DIC1	1204-002666	IC-ENCODER/DECODER;MS9400-CM,Z	1	SA		MC127	2203-005148	C-CER,CHIP;100nF,10%,16V,X7R,1	1	SA	
DIC2	1105-001695	IC-DRAM;K4H561638,DDR,256MB,16	1	SA		MC128	2203-005148	C-CER,CHIP;100nF,10%,16V,X7R,1	1	SA	
DIC3	1105-001695	IC-DRAM;K4H561638,DDR,256MB,16	1	SA		MC129	2203-005148	C-CER,CHIP;100nF,10%,16V,X7R,1	1	SA	
DIC5	1103-001218	IC-EEPROM;524AB0X91,32Kbit,4Kx	1	SA		MC130	2203-005148	C-CER,CHIP;100nF,10%,16V,X7R,1	1	SA	
DIC6	1003-002037	IC-CLOCK DRIVER;MK3727H,SOIC,8	1	SA		MC131	2203-005148	C-CER,CHIP;100nF,10%,16V,X7R,1	1	SA	
DVR1	2007-000070	R-CHIP;0ohm,5%,1/10W,TP,1608	1	SA		MC132	2203-005148	C-CER,CHIP;100nF,10%,16V,X7R,1	1	SA	
DVR2	2007-000070	R-CHIP;0ohm,5%,1/10W,TP,1608	1	SA		MC133	2203-005148	C-CER,CHIP;100nF,10%,16V,X7R,1	1	SA	
DVR3	2007-000070	R-CHIP;0ohm,5%,1/10W,TP,1608	1	SA		MC134	2203-005148	C-CER,CHIP;100nF,10%,16V,X7R,1	1	SA	
DVR4	2007-000070	R-CHIP;0ohm,5%,1/10W,TP,1608	1	SA		MC135	2203-005148	C-CER,CHIP;100nF,10%,16V,X7R,1	1	SA	
DY1	2801-004095	CRYSTAL-SMD;27MHz,20ppm,28-ABY	1	SA		MC136	2203-005148	C-CER,CHIP;100nF,10%,16V,X7R,1	1	SA	
DY2	2801-004182	CRYSTAL-SMD;13.5MHz,10PPM,28-A	1	SA		MC137	2203-005148	C-CER,CHIP;100nF,10%,16V,X7R,1	1	SA	
HDDCN	3708-001935	CONNECTOR-FPC/FFC/PIC;40P,0.5m	1	SA		MC138	2203-005148	C-CER,CHIP;100nF,10%,16V,X7R,1	1	SA	
HDMI_C	3710-002326	SOCKET-BOARD TO BOARD;30P,2R,2	1	SA		MC139	2203-005148	C-CER,CHIP;100nF,10%,16V,X7R,1	1	SA	
HDR100	2007-000071	R-CHIP;22ohm,5%,1/10W,TP,1608	1	SA		MC140	2203-005148	C-CER,CHIP;100nF,10%,16V,X7R,1	1	SA	
HDR101	2007-000071	R-CHIP;22ohm,5%,1/10W,TP,1608	1	SA		MC141	2203-005148	C-CER,CHIP;100nF,10%,16V,X7R,1	1	SA	
IC1394	1205-001988	IC-DATA COMM./GEN.;TSB41AB1-PA	1	SA		MC142	2203-005148	C-CER,CHIP;100nF,10%,16V,X7R,1	1	SA	
						MC143	2203-005148	C-CER,CHIP;100nF,10%,16V,X7R,1	1	SA	
						MC144	2203-005148	C-CER,CHIP;100nF,10%,16V,X7R,1	1	SA	

Loc.No	Part No	Description ; Specification	Q'ty	S.N.A	Remark	Loc.No	Part No	Description ; Specification	Q'ty	S.N.A	Remark
MC145	2203-005148	C-CER,CHIP;100nf,10%,16V,X7R,1	1	SA		MC199	2203-005148	C-CER,CHIP;100nf,10%,16V,X7R,1	1	SA	
MC146	2203-005148	C-CER,CHIP;100nf,10%,16V,X7R,1	1	SA		MC200	2203-000257	C-CER,CHIP;10nf,10%,50V,X7R,16	1	SA	
MC147	2203-005148	C-CER,CHIP;100nf,10%,16V,X7R,1	1	SA		MC201	2203-000280	C-CER,CHIP;0.01nf,0.5pF,50V,CO	1	SA	
MC148	2203-005148	C-CER,CHIP;100nf,10%,16V,X7R,1	1	SA		MC202	2203-005148	C-CER,CHIP;100nf,10%,16V,X7R,1	1	SA	
MC149	2203-005148	C-CER,CHIP;100nf,10%,16V,X7R,1	1	SA		MC203	2402-001042	C-AL.SMD;100uf,20%,16V,GP,TP6	1	SA	
MC150	2203-005148	C-CER,CHIP;100nf,10%,16V,X7R,1	1	SA		MC205	2203-000975	C-CER,CHIP;47nf,10%,25V,X7R,TP	1	SA	
MC151	2203-005148	C-CER,CHIP;100nf,10%,16V,X7R,1	1	SA		MC206	2203-000975	C-CER,CHIP;47nf,10%,25V,X7R,TP	1	SA	
MC152	2203-005148	C-CER,CHIP;100nf,10%,16V,X7R,1	1	SA		MC207	2203-000975	C-CER,CHIP;47nf,10%,25V,X7R,TP	1	SA	
MC153	2203-005148	C-CER,CHIP;100nf,10%,16V,X7R,1	1	SA		MC208	2203-000975	C-CER,CHIP;47nf,10%,25V,X7R,TP	1	SA	
MC154	2203-005148	C-CER,CHIP;100nf,10%,16V,X7R,1	1	SA		MC209	2203-000975	C-CER,CHIP;47nf,10%,25V,X7R,TP	1	SA	
MC155	2203-005148	C-CER,CHIP;100nf,10%,16V,X7R,1	1	SA		MC210	2203-000975	C-CER,CHIP;47nf,10%,25V,X7R,TP	1	SA	
MC156	2203-005148	C-CER,CHIP;100nf,10%,16V,X7R,1	1	SA		MC211	2203-000975	C-CER,CHIP;47nf,10%,25V,X7R,TP	1	SA	
MC157	2203-005148	C-CER,CHIP;100nf,10%,16V,X7R,1	1	SA		MC212	2203-000975	C-CER,CHIP;47nf,10%,25V,X7R,TP	1	SA	
MC158	2203-005148	C-CER,CHIP;100nf,10%,16V,X7R,1	1	SA		MC213	2203-005148	C-CER,CHIP;100nf,10%,16V,X7R,1	1	SA	
MC159	2203-005148	C-CER,CHIP;100nf,10%,16V,X7R,1	1	SA		MC214	2203-005148	C-CER,CHIP;100nf,10%,16V,X7R,1	1	SA	
MC160	2203-005148	C-CER,CHIP;100nf,10%,16V,X7R,1	1	SA		MC215	2203-005148	C-CER,CHIP;100nf,10%,16V,X7R,1	1	SA	
MC161	2203-005148	C-CER,CHIP;100nf,10%,16V,X7R,1	1	SA		MC216	2203-005148	C-CER,CHIP;100nf,10%,16V,X7R,1	1	SA	
MC162	2203-005148	C-CER,CHIP;100nf,10%,16V,X7R,1	1	SA		MC217	2203-005148	C-CER,CHIP;100nf,10%,16V,X7R,1	1	SA	
MC163	2203-005148	C-CER,CHIP;100nf,10%,16V,X7R,1	1	SA		MC218	2203-005148	C-CER,CHIP;100nf,10%,16V,X7R,1	1	SA	
MC164	2203-005148	C-CER,CHIP;100nf,10%,16V,X7R,1	1	SA		MC219	2203-005148	C-CER,CHIP;100nf,10%,16V,X7R,1	1	SA	
MC165	2203-005148	C-CER,CHIP;100nf,10%,16V,X7R,1	1	SA		MC221	2203-005148	C-CER,CHIP;100nf,10%,16V,X7R,1	1	SA	
MC166	2203-005148	C-CER,CHIP;100nf,10%,16V,X7R,1	1	SA		MC222	2203-005148	C-CER,CHIP;100nf,10%,16V,X7R,1	1	SA	
MC167	2203-005148	C-CER,CHIP;100nf,10%,16V,X7R,1	1	SA		MC223	2203-005148	C-CER,CHIP;100nf,10%,16V,X7R,1	1	SA	
MC168	2203-005148	C-CER,CHIP;100nf,10%,16V,X7R,1	1	SA		MC224	2203-005148	C-CER,CHIP;100nf,10%,16V,X7R,1	1	SA	
MC169	2203-005148	C-CER,CHIP;100nf,10%,16V,X7R,1	1	SA		MC225	2203-005148	C-CER,CHIP;100nf,10%,16V,X7R,1	1	SA	
MC170	2203-005148	C-CER,CHIP;100nf,10%,16V,X7R,1	1	SA		MC226	2203-005148	C-CER,CHIP;100nf,10%,16V,X7R,1	1	SA	
MC171	2203-005148	C-CER,CHIP;100nf,10%,16V,X7R,1	1	SA		MC227	2203-005148	C-CER,CHIP;100nf,10%,16V,X7R,1	1	SA	
MC172	2203-005148	C-CER,CHIP;100nf,10%,16V,X7R,1	1	SA		MC228	2203-005148	C-CER,CHIP;100nf,10%,16V,X7R,1	1	SA	
MC173	2203-005148	C-CER,CHIP;100nf,10%,16V,X7R,1	1	SA		MC229	2203-005148	C-CER,CHIP;100nf,10%,16V,X7R,1	1	SA	
MC174	2203-005148	C-CER,CHIP;100nf,10%,16V,X7R,1	1	SA		MC7	2203-005148	C-CER,CHIP;100nf,10%,16V,X7R,1	1	SA	
MC175	2203-005148	C-CER,CHIP;100nf,10%,16V,X7R,1	1	SA		MC8	2203-005148	C-CER,CHIP;100nf,10%,16V,X7R,1	1	SA	
MC176	2203-005148	C-CER,CHIP;100nf,10%,16V,X7R,1	1	SA		MC9	2203-005148	C-CER,CHIP;100nf,10%,16V,X7R,1	1	SA	
MC177	2203-005148	C-CER,CHIP;100nf,10%,16V,X7R,1	1	SA		MCK1A	2007-000094	R-CHIP;22Kohm,5%,1/10W,TP,1608	1	SA	
MC178	2203-005148	C-CER,CHIP;100nf,10%,16V,X7R,1	1	SA		ME1	2402-001042	C-AL.SMD;100uf,20%,16V,GP,TP6	1	SA	
MC179	2203-005148	C-CER,CHIP;100nf,10%,16V,X7R,1	1	SA		ME2	2402-001042	C-AL.SMD;100uf,20%,16V,GP,TP6	1	SA	
MC180	2203-005148	C-CER,CHIP;100nf,10%,16V,X7R,1	1	SA		ME70	2402-001042	C-AL.SMD;100uf,20%,16V,GP,TP6	1	SA	
MC181	2203-005148	C-CER,CHIP;100nf,10%,16V,X7R,1	1	SA		ME72	2402-001042	C-AL.SMD;100uf,20%,16V,GP,TP6	1	SA	
MC182	2203-005148	C-CER,CHIP;100nf,10%,16V,X7R,1	1	SA		ME74	2402-001042	C-AL.SMD;100uf,20%,16V,GP,TP6	1	SA	
MC183	2203-005148	C-CER,CHIP;100nf,10%,16V,X7R,1	1	SA		ME80	2402-001042	C-AL.SMD;100uf,20%,16V,GP,TP6	1	SA	
MC184	2203-005148	C-CER,CHIP;100nf,10%,16V,X7R,1	1	SA		ME81	2402-001042	C-AL.SMD;100uf,20%,16V,GP,TP6	1	SA	
MC185	2203-005148	C-CER,CHIP;100nf,10%,16V,X7R,1	1	SA		ME85	2402-000176	C-AL.SMD;10uf,20%,16V,GP,TP4	1	SA	
MC186	2203-005148	C-CER,CHIP;100nf,10%,16V,X7R,1	1	SA		ME87	2402-000176	C-AL.SMD;10uf,20%,16V,GP,TP4	1	SA	
MC187	2203-005148	C-CER,CHIP;100nf,10%,16V,X7R,1	1	SA		MPR1	3301-001670	BEAD-SMD;60ohm,2012,3000mA,TP	1	SA	
MC188	2203-005148	C-CER,CHIP;100nf,10%,16V,X7R,1	1	SA		MPR2	3301-001670	BEAD-SMD;60ohm,2012,3000mA,TP	1	SA	
MC189	2203-005148	C-CER,CHIP;100nf,10%,16V,X7R,1	1	SA		MPR3	3301-001670	BEAD-SMD;60ohm,2012,3000mA,TP	1	SA	
MC19	2203-005148	C-CER,CHIP;100nf,10%,16V,X7R,1	1	SA		MPR5	2007-000033	R-CHIP;0ohm,5%,1/4W,TP,3216	1	SA	
MC190	2203-005148	C-CER,CHIP;100nf,10%,16V,X7R,1	1	SA		MPR6	3301-001670	BEAD-SMD;60ohm,2012,3000mA,TP	1	SA	
MC191	2203-005148	C-CER,CHIP;100nf,10%,16V,X7R,1	1	SA		MR100	2007-001164	R-CHIP;75ohm,1%,1/10W,TP,1608	1	SA	
MC192	2203-005148	C-CER,CHIP;100nf,10%,16V,X7R,1	1	SA		MR101	2007-001164	R-CHIP;75ohm,1%,1/10W,TP,1608	1	SA	
MC193	2203-005148	C-CER,CHIP;100nf,10%,16V,X7R,1	1	SA		MR102	2007-001164	R-CHIP;75ohm,1%,1/10W,TP,1608	1	SA	
MC194	2203-005148	C-CER,CHIP;100nf,10%,16V,X7R,1	1	SA		MR103	2007-001164	R-CHIP;75ohm,1%,1/10W,TP,1608	1	SA	
MC195	2203-005148	C-CER,CHIP;100nf,10%,16V,X7R,1	1	SA		MR104	2007-001164	R-CHIP;75ohm,1%,1/10W,TP,1608	1	SA	
MC196	2203-005148	C-CER,CHIP;100nf,10%,16V,X7R,1	1	SA		MR106	2007-000116	R-CHIP;120ohm,5%,1/10W,TP,1608	1	SA	
MC197	2203-005148	C-CER,CHIP;100nf,10%,16V,X7R,1	1	SA		MR110	2007-000070	R-CHIP;0ohm,5%,1/10W,TP,1608	1	SA	
MC198	2203-000280	C-CER,CHIP;0.01nf,0.5pF,50V,CO	1	SA							

Exploded Views and Parts List

Loc.No	Part No	Description ; Specification	Q'ty	S.N.A	Remark	Loc.No	Part No	Description ; Specification	Q'ty	S.N.A	Remark
MR111	2007-000090	R-CHIP;10Kohm,5%,1/10W,TP,1608	1	SA		MR500	2007-000123	R-CHIP;1.5Kohm,5%,1/10W,TP,160	1	SA	
MR113	2007-000070	R-CHIP;0ohm,5%,1/10W,TP,1608	1	SA		MR501	2007-000123	R-CHIP;1.5Kohm,5%,1/10W,TP,160	1	SA	
MR114	2007-000070	R-CHIP;0ohm,5%,1/10W,TP,1608	1	SA		MR502	2007-000090	R-CHIP;10Kohm,5%,1/10W,TP,1608	1	SA	
MR115	2007-000090	R-CHIP;10Kohm,5%,1/10W,TP,1608	1	SA		MR503	2007-000090	R-CHIP;10Kohm,5%,1/10W,TP,1608	1	SA	
MR116	2007-000090	R-CHIP;10Kohm,5%,1/10W,TP,1608	1	SA		MR504	2007-000090	R-CHIP;10Kohm,5%,1/10W,TP,1608	1	SA	
MR117	2007-000116	R-CHIP;120ohm,5%,1/10W,TP,1608	1	SA		MR505	2007-000090	R-CHIP;10Kohm,5%,1/10W,TP,1608	1	SA	
MR118	2007-000116	R-CHIP;120ohm,5%,1/10W,TP,1608	1	SA		MR701	2007-000070	R-CHIP;0ohm,5%,1/10W,TP,1608	1	SA	
MR119	2007-000116	R-CHIP;120ohm,5%,1/10W,TP,1608	1	SA		MR702	2007-000070	R-CHIP;0ohm,5%,1/10W,TP,1608	1	SA	
MR120	2007-001164	R-CHIP;75ohm,1%,1/10W,TP,1608	1	SA		MRK2	2007-000123	R-CHIP;1.5Kohm,5%,1/10W,TP,160	1	SA	
MR122	2007-000116	R-CHIP;120ohm,5%,1/10W,TP,1608	1	SA		MROP1	2007-000090	R-CHIP;10Kohm,5%,1/10W,TP,1608	1	SA	
MR123	2007-001164	R-CHIP;75ohm,1%,1/10W,TP,1608	1	SA		Q5	0505-000110	FET-SILICON;2N7002,N,60V,115mA	1	SA	
MR124	2007-000070	R-CHIP;0ohm,5%,1/10W,TP,1608	1	SA		Q6	0505-000110	FET-SILICON;2N7002,N,60V,115mA	1	SA	
MR125	2007-000070	R-CHIP;0ohm,5%,1/10W,TP,1608	1	SA		R100	2007-000090	R-CHIP;10Kohm,5%,1/10W,TP,1608	1	SA	
MR127	2007-000078	R-CHIP;1Kohm,5%,1/10W,TP,1608	1	SA		R101	2007-000090	R-CHIP;10Kohm,5%,1/10W,TP,1608	1	SA	
MR128	2007-000078	R-CHIP;1Kohm,5%,1/10W,TP,1608	1	SA		R102	2007-000086	R-CHIP;5.6Kohm,5%,1/10W,TP,160	1	SA	
MR129	2007-000113	R-CHIP;33ohm,5%,1/10W,TP,1608	1	SA		R103	2007-000070	R-CHIP;0ohm,5%,1/10W,TP,1608	1	SA	
MR131	2007-000090	R-CHIP;10Kohm,5%,1/10W,TP,1608	1	SA		R1301	2007-001056	R-CHIP;6.2Kohm,5%,1/10W,TP,160	1	SA	
MR132	2007-000090	R-CHIP;10Kohm,5%,1/10W,TP,1608	1	SA		R1302	2007-000109	R-CHIP;1Mohm,5%,1/10W,TP,1608	1	SA	
MR191	2007-000072	R-CHIP;47ohm,5%,1/10W,TP,1608	1	SA		R1303	2007-000070	R-CHIP;0ohm,5%,1/10W,TP,1608	1	SA	
MR201	2007-000090	R-CHIP;10Kohm,5%,1/10W,TP,1608	1	SA		R1304	2007-000074	R-CHIP;100ohm,5%,1/10W,TP,1608	1	SA	
MR300	2007-000123	R-CHIP;1.5Kohm,5%,1/10W,TP,160	1	SA		R1305	2007-000090	R-CHIP;10Kohm,5%,1/10W,TP,1608	1	SA	
MR301	2007-000123	R-CHIP;1.5Kohm,5%,1/10W,TP,160	1	SA		R1306	2007-000090	R-CHIP;10Kohm,5%,1/10W,TP,1608	1	SA	
MR304	2007-000090	R-CHIP;10Kohm,5%,1/10W,TP,1608	1	SA		R1307	2007-000073	R-CHIP;91ohm,5%,1/10W,TP,1608	1	SA	
MR309	2007-000124	R-CHIP;2.2Kohm,5%,1/10W,TP,160	1	SA		R1308	2007-000070	R-CHIP;0ohm,5%,1/10W,TP,1608	1	SA	
MR310	3301-001670	BEAD-SMD;60ohm,2012,3000mA,TP	1	SA		R1309	2007-000074	R-CHIP;100ohm,5%,1/10W,TP,1608	1	SA	
MR311	2007-000075	R-CHIP;220ohm,5%,1/10W,TP,1608	1	SA		R1310	2007-000073	R-CHIP;91ohm,5%,1/10W,TP,1608	1	SA	
MR312	2007-000450	R-CHIP;180ohm,5%,1/10W,TP,1608	1	SA		R1322	2007-000070	R-CHIP;0ohm,5%,1/10W,TP,1608	1	SA	
MR322	2007-000124	R-CHIP;2.2Kohm,5%,1/10W,TP,160	1	SA		R1323	2007-000090	R-CHIP;10Kohm,5%,1/10W,TP,1608	1	SA	
MR324	3301-001309	BEAD-SMD;47ohm,1608,TP,-	1	SA		R1326	2007-000381	R-CHIP;13Kohm,5%,1/10W,TP,1608	1	SA	
MR332	3301-001670	BEAD-SMD;60ohm,2012,3000mA,TP	1	SA		R1327	2007-000078	R-CHIP;1Kohm,5%,1/10W,TP,1608	1	SA	
MR338	3301-001670	BEAD-SMD;60ohm,2012,3000mA,TP	1	SA		R1328	2007-000078	R-CHIP;1Kohm,5%,1/10W,TP,1608	1	SA	
MR339	2007-000084	R-CHIP;4.7Kohm,5%,1/10W,TP,160	1	SA		R1331	2007-000070	R-CHIP;0ohm,5%,1/10W,TP,1608	1	SA	
MR342	2007-000124	R-CHIP;2.2Kohm,5%,1/10W,TP,160	1	SA		R1332	2007-000965	R-CHIP;5.1Kohm,5%,1/10W,TP,160	1	SA	
MR343	2007-000124	R-CHIP;2.2Kohm,5%,1/10W,TP,160	1	SA		R1333	2007-001044	R-CHIP;56ohm,5%,1/10W,TP,1608	1	SA	
MR344	2007-000078	R-CHIP;1Kohm,5%,1/10W,TP,1608	1	SA		R1334	2007-001044	R-CHIP;56ohm,5%,1/10W,TP,1608	1	SA	
MR345	3301-001670	BEAD-SMD;60ohm,2012,3000mA,TP	1	SA		R1335	2007-001044	R-CHIP;56ohm,5%,1/10W,TP,1608	1	SA	
MR346	3301-001670	BEAD-SMD;60ohm,2012,3000mA,TP	1	SA		R1336	2007-001044	R-CHIP;56ohm,5%,1/10W,TP,1608	1	SA	
MR355	2007-000078	R-CHIP;1Kohm,5%,1/10W,TP,1608	1	SA		R1337	2007-000078	R-CHIP;1Kohm,5%,1/10W,TP,1608	1	SA	
MR358	2007-000070	R-CHIP;0ohm,5%,1/10W,TP,1608	1	SA		R1340	2007-000090	R-CHIP;10Kohm,5%,1/10W,TP,1608	1	SA	
MR359	2007-000070	R-CHIP;0ohm,5%,1/10W,TP,1608	1	SA		R1342	2007-000078	R-CHIP;1Kohm,5%,1/10W,TP,1608	1	SA	
MR364	2007-000074	R-CHIP;100ohm,5%,1/10W,TP,1608	1	SA		R70	2007-000086	R-CHIP;5.6Kohm,5%,1/10W,TP,160	1	SA	
MR365	2007-000074	R-CHIP;100ohm,5%,1/10W,TP,1608	1	SA		R71	2007-000070	R-CHIP;0ohm,5%,1/10W,TP,1608	1	SA	
MR4	2007-000090	R-CHIP;10Kohm,5%,1/10W,TP,1608	1	SA		R72	2007-000086	R-CHIP;5.6Kohm,5%,1/10W,TP,160	1	SA	
MR400	2007-000113	R-CHIP;33ohm,5%,1/10W,TP,1608	1	SA		R73	2007-000070	R-CHIP;0ohm,5%,1/10W,TP,1608	1	SA	
MR401	2007-000113	R-CHIP;33ohm,5%,1/10W,TP,1608	1	SA		R74	2007-000086	R-CHIP;5.6Kohm,5%,1/10W,TP,160	1	SA	
MR402	2007-000113	R-CHIP;33ohm,5%,1/10W,TP,1608	1	SA		R75	2007-000070	R-CHIP;0ohm,5%,1/10W,TP,1608	1	SA	
MR403	2007-000113	R-CHIP;33ohm,5%,1/10W,TP,1608	1	SA		R76	2007-000070	R-CHIP;0ohm,5%,1/10W,TP,1608	1	SA	
MR404	2007-000113	R-CHIP;33ohm,5%,1/10W,TP,1608	1	SA		R77	2007-000086	R-CHIP;5.6Kohm,5%,1/10W,TP,160	1	SA	
MR405	2007-000113	R-CHIP;33ohm,5%,1/10W,TP,1608	1	SA		R78	2007-000086	R-CHIP;5.6Kohm,5%,1/10W,TP,160	1	SA	
MR406	2007-000113	R-CHIP;33ohm,5%,1/10W,TP,1608	1	SA		R79	2007-000086	R-CHIP;5.6Kohm,5%,1/10W,TP,160	1	SA	
MR407	2007-000113	R-CHIP;33ohm,5%,1/10W,TP,1608	1	SA		R97	2007-000086	R-CHIP;5.6Kohm,5%,1/10W,TP,160	1	SA	
MR450	2007-000113	R-CHIP;33ohm,5%,1/10W,TP,1608	1	SA		R98	2007-000086	R-CHIP;5.6Kohm,5%,1/10W,TP,160	1	SA	
MR451	2007-000113	R-CHIP;33ohm,5%,1/10W,TP,1608	1	SA		R99	2007-000086	R-CHIP;5.6Kohm,5%,1/10W,TP,160	1	SA	
MR452	2007-000113	R-CHIP;33ohm,5%,1/10W,TP,1608	1	SA		RC1	2203-005148	C-CER,CHIP;100nF,10%,16V,X7R,1	1	SA	
MR5	2007-000124	R-CHIP;2.2Kohm,5%,1/10W,TP,160	1	SA							

Loc.No	Part No	Description ; Specification	Q'ty	S.N.A	Remark	Loc.No	Part No	Description ; Specification	Q'ty	S.N.A	Remark
RC13	2203-005148	C-CER,CHIP;100nF,10%,16V,X7R,1	1	SA		UC20	2203-000257	C-CER,CHIP;10nF,10%,50V,X7R,16	1	SA	
RC14	2203-005148	C-CER,CHIP;100nF,10%,16V,X7R,1	1	SA		UC21	2203-000626	C-CER,CHIP;0.022nF,5%,50VCOG,	1	SA	
RC15	2203-005148	C-CER,CHIP;100nF,10%,16V,X7R,1	1	SA		UC22	2203-000626	C-CER,CHIP;0.022nF,5%,50VCOG,	1	SA	
RC16	2203-005148	C-CER,CHIP;100nF,10%,16V,X7R,1	1	SA		UC23	2203-000560	C-CER,CHIP;220nF,+80-20%,25V,Y	1	SA	
RC3	2203-005148	C-CER,CHIP;100nF,10%,16V,X7R,1	1	SA		UC3	2203-005148	C-CER,CHIP;100nF,10%,16V,X7R,1	1	SA	
RC4	2203-005148	C-CER,CHIP;100nF,10%,16V,X7R,1	1	SA		UC30	2203-005148	C-CER,CHIP;100nF,10%,16V,X7R,1	1	SA	
RCP1	2007-000090	R-CHIP;10Kohm,5%,1/10W,TP;1608	1	SA		UC31	2203-005148	C-CER,CHIP;100nF,10%,16V,X7R,1	1	SA	
RCP2	2007-000074	R-CHIP;100ohm,5%,1/10W,TP;1608	1	SA		UC32	2203-005148	C-CER,CHIP;100nF,10%,16V,X7R,1	1	SA	
RCP3	2007-000074	R-CHIP;100ohm,5%,1/10W,TP;1608	1	SA		UC33	2203-005148	C-CER,CHIP;100nF,10%,16V,X7R,1	1	SA	
RE1	2402-001237	C-AL,SMD;330uF,#20%,6.3V,-,RE	1	SA		UC4	2203-000332	C-CER,CHIP;0.012nF,5%,50V,COG,	1	SA	
RE2	2402-001237	C-AL,SMD;330uF,#20%,6.3V,-,RE	1	SA		UE1	2404-001020	C-TA,CHIP;10uF,20%,10V,GP,TP;3	1	SA	
RE3	2402-001237	C-AL,SMD;330uF,#20%,6.3V,-,RE	1	SA		UE2	2404-001020	C-TA,CHIP;10uF,20%,10V,GP,TP;3	1	SA	
RE4	2402-001237	C-AL,SMD;330uF,#20%,6.3V,-,RE	1	SA		UE3	2404-001020	C-TA,CHIP;10uF,20%,10V,GP,TP;3	1	SA	
RE7	2402-001237	C-AL,SMD;330uF,#20%,6.3V,-,RE	1	SA		UE4	2404-001020	C-TA,CHIP;10uF,20%,10V,GP,TP;3	1	SA	
RH10	2007-000090	R-CHIP;10Kohm,5%,1/10W,TP;1608	1	SA		UE5	2402-001096	C-AL,SMD;220uF,20%,16V,GP,TP;6	1	SA	
RH11	2007-000071	R-CHIP;22ohm,5%,1/10W,TP;1608	1	SA		UIC1	0904-002093	IC-USC;ISP1761BE,32Bit,LQFP;12	1	SA	
RH12	2007-000071	R-CHIP;22ohm,5%,1/10W,TP;1608	1	SA		UIC2	1203-004293	IC-POWER SUPERVISOR;MIC2025-2Y	1	SA	
RH29	2007-000090	R-CHIP;10Kohm,5%,1/10W,TP;1608	1	SA		UIC3	0801-002511	IC-CMOS LOGIC;74VHC373,D-type	1	SA	
RH32	2007-000090	R-CHIP;10Kohm,5%,1/10W,TP;1608	1	SA		UIC4	0801-002511	IC-CMOS LOGIC;74VHC373,D-type	1	SA	
RH33	2007-000070	R-CHIP;0ohm,5%,1/10W,TP;1608	1	SA		UPR1	3301-001670	BEAD-SMD;60ohm,2012,300mA,TP,	1	SA	
RIC1	1203-003628	IC-POS;FIXED REG.;G9966-18TGU	1	SA		UR10	2007-000070	R-CHIP;0ohm,5%,1/10W,TP;1608	1	SA	
RIC2	1203-003627	IC-POS;FIXED REG.;G9965-25TGU	1	SA		UR11	2007-000086	R-CHIP;5.6Kohm,5%,1/10W,TP;160	1	SA	
RIC5	1203-003806	IC-POS;ADJUST REG.;KIA78R000,	1	SA		UR12	2007-000070	R-CHIP;0ohm,5%,1/10W,TP;1608	1	SA	
RIC6	0801-002701	IC-CMOS LOGIC;74VHCT125A,BUFFE	1	SA		UR13	2007-000084	R-CHIP;4.7Kohm,5%,1/10W,TP;160	1	SA	
RR05	2007-000084	R-CHIP;4.7Kohm,5%,1/10W,TP;160	1	SA		UR14	2007-000070	R-CHIP;0ohm,5%,1/10W,TP;1608	1	SA	
RR06	2007-000075	R-CHIP;220ohm,5%,1/10W,TP;1608	1	SA		UR16	2007-000090	R-CHIP;10Kohm,5%,1/10W,TP;1608	1	SA	
RR07	2007-001157	R-CHIP;750ohm,5%,1/10W,TP;1608	1	SA		UR17	2007-000084	R-CHIP;4.7Kohm,5%,1/10W,TP;160	1	SA	
RR08	2007-000075	R-CHIP;220ohm,5%,1/10W,TP;1608	1	SA		UR18	2007-000090	R-CHIP;10Kohm,5%,1/10W,TP;1608	1	SA	
RR09	2007-001157	R-CHIP;750ohm,5%,1/10W,TP;1608	1	SA		UR2	2007-000090	R-CHIP;10Kohm,5%,1/10W,TP;1608	1	SA	
RR10	2007-000075	R-CHIP;220ohm,5%,1/10W,TP;1608	1	SA		UR20	2007-000090	R-CHIP;10Kohm,5%,1/10W,TP;1608	1	SA	
RR16	2007-000070	R-CHIP;0ohm,5%,1/10W,TP;1608	1	SA		UR22	2007-000070	R-CHIP;0ohm,5%,1/10W,TP;1608	1	SA	
RR17	2007-000070	R-CHIP;0ohm,5%,1/10W,TP;1608	1	SA		UR23	2007-000090	R-CHIP;10Kohm,5%,1/10W,TP;1608	1	SA	
RR18	2007-000084	R-CHIP;4.7Kohm,5%,1/10W,TP;160	1	SA		UR4	2007-000084	R-CHIP;4.7Kohm,5%,1/10W,TP;160	1	SA	
RR19	2007-000084	R-CHIP;4.7Kohm,5%,1/10W,TP;160	1	SA		UR5	2007-000070	R-CHIP;0ohm,5%,1/10W,TP;1608	1	SA	
RR20	2007-000071	R-CHIP;220ohm,5%,1/10W,TP;1608	1	SA		UR6	2007-002901	R-CHIP;12.1Kohm,1%,1/10W,TP;16	1	SA	
RR21	2007-000071	R-CHIP;220ohm,5%,1/10W,TP;1608	1	SA		UR7	2007-002901	R-CHIP;12.1Kohm,1%,1/10W,TP;16	1	SA	
RR22	2007-000084	R-CHIP;4.7Kohm,5%,1/10W,TP;160	1	SA		UR8	2007-002901	R-CHIP;12.1Kohm,1%,1/10W,TP;16	1	SA	
RR23	2007-000084	R-CHIP;4.7Kohm,5%,1/10W,TP;160	1	SA		UR9	2007-000070	R-CHIP;0ohm,5%,1/10W,TP;1608	1	SA	
RR24	2007-000071	R-CHIP;220ohm,5%,1/10W,TP;1608	1	SA		USB_CO	3711-005872	HEADER-BOARD TO CABLE;BOX,SP;1	1	SA	
RR25	2007-000071	R-CHIP;220ohm,5%,1/10W,TP;1608	1	SA		UX1	2801-003773	CRYSTAL-SMD;12MHz,30ppm,28-AAAN	1	SA	
U14	2203-005148	C-CER,CHIP;100nF,10%,16V,X7R,1	1	SA		VC01	2203-005148	C-CER,CHIP;100nF,10%,16V,X7R,1	1	SA	
U15	2203-005148	C-CER,CHIP;100nF,10%,16V,X7R,1	1	SA		VC02	2203-005148	C-CER,CHIP;100nF,10%,16V,X7R,1	1	SA	
U16	2203-005148	C-CER,CHIP;100nF,10%,16V,X7R,1	1	SA		VC03	2203-005148	C-CER,CHIP;100nF,10%,16V,X7R,1	1	SA	
U17	2203-005148	C-CER,CHIP;100nF,10%,16V,X7R,1	1	SA		VC04	2203-001652	C-CER,CHIP;470nF,+80-20%,16V,Y	1	SA	
U18	2203-005148	C-CER,CHIP;100nF,10%,16V,X7R,1	1	SA		VC05	2203-001652	C-CER,CHIP;470nF,+80-20%,16V,Y	1	SA	
UAR1	2011-001011	R-NET;10Kohm,5%,1/16W,L,CHIP;8	1	SA		VC06	2203-005148	C-CER,CHIP;100nF,10%,16V,X7R,1	1	SA	
UAR2	2011-001011	R-NET;10Kohm,5%,1/16W,L,CHIP;8	1	SA		VC07	2203-002398	C-CER,CHIP;22nF,10%,50V,X7R,16	1	SA	
UAR3	2011-001011	R-NET;10Kohm,5%,1/16W,L,CHIP;8	1	SA		VC08	2203-000280	C-CER,CHIP;0.01nF,0.5pF,50V,CO	1	SA	
UAR4	2011-001011	R-NET;10Kohm,5%,1/16W,L,CHIP;8	1	SA		VC10	2203-002398	C-CER,CHIP;22nF,10%,50V,X7R,16	1	SA	
UAR5	2011-001011	R-NET;10Kohm,5%,1/16W,L,CHIP;8	1	SA		VC11	2203-002398	C-CER,CHIP;22nF,10%,50V,X7R,16	1	SA	
UAR7	2007-000090	R-CHIP;10Kohm,5%,1/10W,TP;1608	1	SA		VC12	2203-002398	C-CER,CHIP;22nF,10%,50V,X7R,16	1	SA	
UAR8	2007-000090	R-CHIP;10Kohm,5%,1/10W,TP;1608	1	SA		VC13	2203-005148	C-CER,CHIP;100nF,10%,16V,X7R,1	1	SA	
UC1	2203-005148	C-CER,CHIP;100nF,10%,16V,X7R,1	1	SA		VC14	2203-005148	C-CER,CHIP;100nF,10%,16V,X7R,1	1	SA	
UC19	2203-005148	C-CER,CHIP;100nF,10%,16V,X7R,1	1	SA		VC15	2203-002398	C-CER,CHIP;22nF,10%,50V,X7R,16	1	SA	
UC2	2203-005148	C-CER,CHIP;100nF,10%,16V,X7R,1	1	SA							

Exploded Views and Parts List

Loc.No	Part No	Description ; Specification	Q'ty	S.N.A	Remark	Loc.No	Part No	Description ; Specification	Q'ty	S.N.A	Remark
VC16	2203-005148	C-CER,CHIP;100nf,10%,16V,X7R,1	1	SA		VR22	2007-000512	R-CHIP;2.4Kohm,5%,1/10W,TP,160	1	SA	
VC17	2203-005148	C-CER,CHIP;100nf,10%,16V,X7R,1	1	SA		VR23	2007-000071	R-CHIP;22ohm,5%,1/10W,TP,1608	1	SA	
VC18	2203-002398	C-CER,CHIP;22nf,10%,50V,X7R,16	1	SA		VR24	2007-000071	R-CHIP;22ohm,5%,1/10W,TP,1608	1	SA	
VC19	2203-005148	C-CER,CHIP;100nf,10%,16V,X7R,1	1	SA		VR25	2007-000070	R-CHIP;0ohm,5%,1/10W,TP,1608	1	SA	
VC21	2203-005148	C-CER,CHIP;100nf,10%,16V,X7R,1	1	SA		VR26	2007-000070	R-CHIP;0ohm,5%,1/10W,TP,1608	1	SA	
VC22	2203-005148	C-CER,CHIP;100nf,10%,16V,X7R,1	1	SA		VR27	2007-000070	R-CHIP;0ohm,5%,1/10W,TP,1608	1	SA	
VC23	2203-005148	C-CER,CHIP;100nf,10%,16V,X7R,1	1	SA		VR28	2007-000113	R-CHIP;33ohm,5%,1/10W,TP,1608	1	SA	
VC24	2203-002398	C-CER,CHIP;22nf,10%,50V,X7R,16	1	SA		VR29	2007-000070	R-CHIP;0ohm,5%,1/10W,TP,1608	1	SA	
VC25	2203-005148	C-CER,CHIP;100nf,10%,16V,X7R,1	1	SA		VR30	2007-000070	R-CHIP;0ohm,5%,1/10W,TP,1608	1	SA	
VC26	2203-005148	C-CER,CHIP;100nf,10%,16V,X7R,1	1	SA		VR38	2007-000074	R-CHIP;100ohm,5%,1/10W,TP,1608	1	SA	
VC27	2203-002398	C-CER,CHIP;22nf,10%,50V,X7R,16	1	SA		VR39	2007-000074	R-CHIP;100ohm,5%,1/10W,TP,1608	1	SA	
VC28	2203-002398	C-CER,CHIP;22nf,10%,50V,X7R,16	1	SA		VR40	3301-001419	BEAD-SMD;220ohm,1608,TP,133ohm	1	SA	
VC29	2203-005148	C-CER,CHIP;100nf,10%,16V,X7R,1	1	SA		VR41	2007-000074	R-CHIP;100ohm,5%,1/10W,TP,1608	1	SA	
VC30	2203-005148	C-CER,CHIP;100nf,10%,16V,X7R,1	1	SA		VR42	2007-000084	R-CHIP;4.7Kohm,5%,1/10W,TP,160	1	SA	
VC31	2203-005148	C-CER,CHIP;100nf,10%,16V,X7R,1	1	SA		VR43	2007-000071	R-CHIP;22ohm,5%,1/10W,TP,1608	1	SA	
VC32	2203-000384	C-CER,CHIP;0.015nf,5%,50V,COG,	1	SA		VR44	2007-000071	R-CHIP;22ohm,5%,1/10W,TP,1608	1	SA	
VC33	2203-000384	C-CER,CHIP;0.015nf,5%,50V,COG,	1	SA		VR45	2007-000079	R-CHIP;1.8Kohm,5%,1/10W,TP,160	1	SA	
VC34	2203-005148	C-CER,CHIP;100nf,10%,16V,X7R,1	1	SA		VR46	2007-000079	R-CHIP;1.8Kohm,5%,1/10W,TP,160	1	SA	
VC35	2203-002398	C-CER,CHIP;22nf,10%,50V,X7R,16	1	SA		VR47	2007-000071	R-CHIP;22ohm,5%,1/10W,TP,1608	1	SA	
VC36	2203-005148	C-CER,CHIP;100nf,10%,16V,X7R,1	1	SA		VR48	2007-000071	R-CHIP;22ohm,5%,1/10W,TP,1608	1	SA	
VC37	2203-005148	C-CER,CHIP;100nf,10%,16V,X7R,1	1	SA		VR49	2007-000071	R-CHIP;22ohm,5%,1/10W,TP,1608	1	SA	
VC40	2203-002398	C-CER,CHIP;22nf,10%,50V,X7R,16	1	SA		VR50	2007-000070	R-CHIP;0ohm,5%,1/10W,TP,1608	1	SA	
VC44	2203-002398	C-CER,CHIP;22nf,10%,50V,X7R,16	1	SA		VR51	2007-000070	R-CHIP;0ohm,5%,1/10W,TP,1608	1	SA	
VDO1	0501-000341	TR-SMALL SIGNAL;KSC1623-L,NPN,	1	SA		VR54	2007-000070	R-CHIP;0ohm,5%,1/10W,TP,1608	1	SA	
VE01	2402-001042	C-AL,SMD;100uf,20%,16V,GP,TP6	1	SA		VR55	2007-000070	R-CHIP;0ohm,5%,1/10W,TP,1608	1	SA	
VE02	2402-000173	C-AL,SMD;4.7uf,20%,35V,GP,TP4	1	SA		VS217	AK39-00115A	LEAD CONNECTOR;---,5.300,BLK	1	SA	
VE03	2402-000173	C-AL,SMD;4.7uf,20%,35V,GP,TP4	1	SA		VXS01	2801-004021	CRYSTAL-SMD;24.576MHz,20ppm,28	1	SA	
VE06	2402-001042	C-AL,SMD;100uf,20%,16V,GP,TP6	1	SA		X1301	2801-004021	CRYSTAL-SMD;24.576MHz,20ppm,28	1	SA	
VE07	2402-001042	C-AL,SMD;100uf,20%,16V,GP,TP6	1	SA		<b>P003</b>	<b>AK92-01232A</b>	<b>ASSY PCB-SMPS;DVD-SH855/XEF,SM</b>	<b>1</b>	<b>SA</b>	
VE08	2402-000179	C-AL,SMD;47uf,20%,16V,GP,TP6	1	SA		BD1S01	2201-000987	C-CERAMIC,DISC;2.2NF,20%,400V,	1	SA	
VE09	2402-000179	C-AL,SMD;47uf,20%,16V,GP,TP6	1	SA		BD1S02	3301-000297	BEAD-AXIAL;25ohm,3.6x1.2x5.7mm	1	SA	
VE10	2402-000179	C-AL,SMD;47uf,20%,16V,GP,TP6	1	SA		C1P02	2401-002162	C-AL;1000uf,20%,25V,WT,TP,10x2	1	SA	
VE13	2402-001042	C-AL,SMD;100uf,20%,16V,GP,TP6	1	SA		C1P04	2401-000118	C-AL;1000uf,20%,10V,GP,TP,10x1	1	SA	
VIC1	1204-002726	IC-VIDEO DECODER;SAA7138GHL,LQ	1	SA		C1P07	2401-001479	C-AL;470uf,20%,10V,GP,TP,6.3*1	1	SA	
VNR01	2011-000475	R-NET;33ohm,5%,1/16W,L,CHIP,8P	1	SA		C1P09	2401-001479	C-AL;470uf,20%,10V,GP,TP,6.3*1	1	SA	
VNR02	2011-000475	R-NET;33ohm,5%,1/16W,L,CHIP,8P	1	SA		C1P11	2401-001479	C-AL;470uf,20%,10V,GP,TP,6.3*1	1	SA	
VR01	3301-000353	BEAD-SMD;120ohm,2x1.25x0.9mm,-	1	SA		C1P12	2401-001479	C-AL;470uf,20%,10V,GP,TP,6.3*1	1	SA	
VR02	3301-001419	BEAD-SMD;220ohm,1608,TP,133ohm	1	SA		C1P17	2401-001479	C-AL;470uf,20%,10V,GP,TP,6.3*1	1	SA	
VR03	3301-001419	BEAD-SMD;220ohm,1608,TP,133ohm	1	SA		C1P19	2401-002300	C-AL;47##F,20%,50V,GP,TP,6.3x1	1	SA	
VR04	2007-000659	R-CHIP;270HM,5%,1/10W,TP,1608	1	SA		C1P20	2202-002037	C-CERAMIC,MLC-AXIAL;100nf,80-2	1	SA	
VR05	2007-000072	R-CHIP;47ohm,5%,1/10W,TP,1608	1	SA		C1P21	2401-003604	C-AL;10uf,20%,25V,WT,TP,5x5mm,	1	SA	
VR06	2007-000072	R-CHIP;47ohm,5%,1/10W,TP,1608	1	SA		C1S01	2401-003243	C-AL;150uf,20%,400V,WT,BK,25x3	1	SA	
VR07	2007-000659	R-CHIP;270HM,5%,1/10W,TP,1608	1	SA		C1S02	2201-000963	C-CERAMIC,DISC;1NF,20%,400V,Y5	1	SA	
VR08	2007-000659	R-CHIP;270HM,5%,1/10W,TP,1608	1	SA		C1S03	2201-000963	C-CERAMIC,DISC;1NF,20%,400V,Y5	1	SA	
VR09	2007-000659	R-CHIP;270HM,5%,1/10W,TP,1608	1	SA		C1S04	2301-001711	C-FILM,LEAD;220nf,##20%,275V,B	1	SA	
VR10	2007-000659	R-CHIP;270HM,5%,1/10W,TP,1608	1	SA		C1S05	2301-001711	C-FILM,LEAD;220nf,##20%,275V,B	1	SA	
VR11	2007-000097	R-CHIP;47Kohm,5%,1/10W,TP,1608	1	SA		C1S06	2201-000987	C-CERAMIC,DISC;2.2NF,20%,400V,	1	SA	
VR12	2007-000097	R-CHIP;47Kohm,5%,1/10W,TP,1608	1	SA		C1S07	2201-000129	C-CERAMIC,DISC;0.1nf,10%,1000V	1	SA	
VR13	2007-000077	R-CHIP;470ohm,5%,1/10W,TP,1608	1	SA		C1S08	2305-001029	C-FILM,LEAD-PEF;10nf,10%,630V,	1	SA	
VR14	2007-000072	R-CHIP;47ohm,5%,1/10W,TP,1608	1	SA		C1S09	2401-002438	C-AL;47##F,20%,50V,WT,TP,6.3x1	1	SA	
VR15	2007-000072	R-CHIP;47ohm,5%,1/10W,TP,1608	1	SA		C1S10	2401-000480	C-AL;10uf,20%,50V,GP,TP,5x11.5	1	SA	
VR16	2007-000072	R-CHIP;47ohm,5%,1/10W,TP,1608	1	SA		C1S11	2401-000598	C-AL;1uf,20%,50V,GP,TP,4x7.5	1	SA	
VR17	2007-000070	R-CHIP;0ohm,5%,1/10W,TP,1608	1	SA		C1S12	2301-000481	C-FILM,LEAD-PEF;10nf,5%,100V,T	1	SA	
VR18	2007-000070	R-CHIP;0ohm,5%,1/10W,TP,1608	1	SA							
VR19	3301-001419	BEAD-SMD;220ohm,1608,TP,133ohm	1	SA							



Loc.No	Part No	Description ; Specification	Q'ty	S.N.A	Remark	Loc.No	Part No	Description ; Specification	Q'ty	S.N.A	Remark
C1S30	2401-003649	C-AL;2200UF,20%,16V,LXZ,TP,12.	1	SA		Q1P02	0505-001522	FET-SILICON;FQP33N10,N,100V,33	1	SA	
C1S31	2401-003649	C-AL;2200UF,20%,16V,LXZ,TP,12.	1	SA		Q1P03	0505-001522	FET-SILICON;FQP33N10,N,100V,33	1	SA	
C1S32	2401-000385	C-AL;10uF,20%,100V,GP,TP,6.3x1	1	SC		Q1P04	0501-000316	TR-SMALL SIGNAL;KSA928A-Y,PNP,	1	SA	
C1S33	2401-003139	C-AL;1000uF,20%,25V,WT,TP,10*2	1	SA		Q1P05	0501-000439	TR-SMALL SIGNAL;2SC1815,NPN,62	1	SA	
C1S34	2401-001126	C-AL;330uF,20%,25V,WT,TP,10x12	1	SA		R1P01	2001-000027	R-CARBON;1000HM,5%,1/4W,AA,TP,	1	SA	
C1S37	2401-003480	C-AL;1000UF,20%,10V,LZ,TP,10X1	1	SA		R1P02	2001-000281	R-CARBON;1000HM,5%,1/8W,AA,TP,	1	SA	
C1S38	2401-001992	C-AL;2200UF,20%,10V,WT,TP,10X2	1	SA		R1P03	2001-000429	R-CARBON;1KOHM,5%,1/8W,AA,TP,1	1	SA	
C1S39	2301-000129	C-FILM,LEAD-PEF;100nF,5%,50V,T	1	SA		R1P04	2001-000857	R-CARBON;560OHM,5%,1/8W,AA,TP,	1	SA	
C1S40	2301-000129	C-FILM,LEAD-PEF;100nF,5%,50V,T	1	SA		R1P05	2004-000459	R-METAL;2.2Kohm,1%,1/8W,AA,TP,	1	SA	
C1S41	2401-000118	C-AL;1000uF,20%,10V,GP,TP,10x1	1	SA		R1P06	2004-000500	R-METAL;2.7Kohm,1%,1/8W,AA,TP,	1	SA	
C1S42	2401-003480	C-AL;1000UF,20%,10V,LZ,TP,10X1	1	SA		R1P07	2001-000027	R-CARBON;1000HM,5%,1/4W,AA,TP,	1	SA	
CN1S01	3711-000203	HEADER-BOARD TO CABLE;1WALL,2P	1	SA		R1P08	2001-000429	R-CARBON;1KOHM,5%,1/8W,AA,TP,1	1	SA	
D01	0402-001111	DIODE-RECTIFIER;1N5397GP,600V,	1	SA		R1P09	2004-004084	R-METAL;3.1Kohm,1%,1/8W,AA,TP,	1	SA	
D02	0402-001111	DIODE-RECTIFIER;1N5397GP,600V,	1	SA		R1P10	2001-000904	R-CARBON;620OHM,5%,1/8W,AA,TP,	1	SA	
D03	0402-001111	DIODE-RECTIFIER;1N5397GP,600V,	1	SA		R1P11	2001-000429	R-CARBON;1KOHM,5%,1/8W,AA,TP,1	1	SA	
D04	0402-001111	DIODE-RECTIFIER;1N5397GP,600V,	1	SA		R1P12	2001-001015	R-CARBON;9.1KOHM,5%,1/8W,AA,TP,	1	SC	
D1P103	0402-000165	DIODE-RECTIFIER;1N5819,40V,1A,	1	SA		R1P13	2001-000006	R-CARBON;2.4KOHM,5%,1/8W,AA,TP,	1	SA	
D1P107	0402-000165	DIODE-RECTIFIER;1N5819,40V,1A,	1	SA		R1P14	2001-000009	R-CARBON;20KOHM,5%,1/8W,AA,TP,	1	SA	
D1P108	0401-000101	DIODE-SWITCHING;1N4148,75V,150	1	SA		R1P15	2001-000429	R-CARBON;1KOHM,5%,1/8W,AA,TP,1	1	SA	
D1P109	0401-000101	DIODE-SWITCHING;1N4148,75V,150	1	SA		R1P22	2001-000575	R-CARBON;2KOHM,5%,1/4W,AA,TP,2	1	SA	
D1P11	0402-000165	DIODE-RECTIFIER;1N5819,40V,1A,	1	SA		R1P23	2001-001013	R-CARBON;9.1KOHM,5%,1/4W,AA,TP,	1	SA	
D1P115	0402-000165	DIODE-RECTIFIER;1N5819,40V,1A,	1	SA		R1S02	2006-000273	R-CEMENT;27KOHM,5%,2W,CA,BK,6.	1	SA	
D1P12	0402-000165	DIODE-RECTIFIER;1N5819,40V,1A,	1	SA		R1S03	2006-000273	R-CEMENT;27KOHM,5%,2W,CA,BK,6.	1	SA	
D1P14	2001-000429	R-CARBON;1KOHM,5%,1/8W,AA,TP,1	1	SA		R1S04	1404-001361	THERMISTOR-NTC;30hm,4A,-35mW/	1	SA	
D1P15	0402-000165	DIODE-RECTIFIER;1N5819,40V,1A,	1	SA		R1S05	2001-000546	R-CARBON;270KOHM,5%,1/4W,AA,TP,	1	SA	
D1S05	0402-000012	DIODE-RECTIFIER;UF4007,1KV,1A,	1	SA		R1S06	2001-001006	R-CARBON;820HM,5%,1/8W,AA,TP,1	1	SA	
D1S07	0402-001195	DIODE-RECTIFIER;F1T4,400V,1A,D	1	SA		R1S07	2001-000546	R-CARBON;270KOHM,5%,1/4W,AA,TP,	1	SA	
D1S34	0402-000012	DIODE-RECTIFIER;UF4007,1KV,1A,	1	SA		R1S08	2001-000546	R-CARBON;270KOHM,5%,1/4W,AA,TP,	1	SA	
D1S35	0402-001587	DIODE-RECTIFIER;SFAF504G,200V,	1	SA		R1S12	2001-000527	R-CARBON;220HM,5%,1/8W,AA,TP,1	1	SA	
F1S01	3601-000237	FUSE-CARTRIDGE;250V,2A,SLOW-BL	1	SA		R1S13	2003-000105	R-METAL OXIDE;0.33ohm,5%,2W,AD	1	SA	
F21S01	3601-001127	FUSE-RADIAL LEAD;250V,3.15A,TI	1	SA		R1S14	2001-000290	R-CARBON;10KOHM,5%,1/8W,AA,TP,	1	SA	
IC1P02	1203-001589	IC-POSITIONED REG.;278R05,TO-2	1	SA		R1S15	2002-000121	R-COMPOSITION;1Mohm,10%,1/2W,A	1	SA	
IC1P03	AC14-12006D	IC;KA431Z,TO-92,TAPING	1	SA		R1S31	2001-000780	R-CARBON;470OHM,5%,1/8W,AA,TP,	1	SA	
IC1P04	AC14-12006D	IC;KA431Z,TO-92,TAPING	1	SA		R1S32	2001-000221	R-CARBON;1.2KOHM,5%,1/8W,AA,TP,	1	SA	
IC1P05	AC14-12006N	IC-VOLT REGU;KA78R12,SIP,STICK	1	SA		R1S33	2001-000429	R-CARBON;1KOHM,5%,1/8W,AA,TP,1	1	SA	
IC1P06	AC14-12006D	IC;KA431Z,TO-92,TAPING	1	SA		R1S35	2004-004084	R-METAL;3.1Kohm,1%,1/8W,AA,TP,	1	SA	
IC1S01	1203-003888	IC-PWM CONTROLLER;ICE2B765P2,T	1	SA		R1S36	2004-000459	R-METAL;2.2Kohm,1%,1/8W,AA,TP,	1	SA	
IC1S02	0604-001028	PHOTO-COUPLER;TR,50-600%;250mW	1	SA		VA1S01	1405-001026	VARISTOR;470V,600A,9x7mm,TP	1	SA	
IC1S03	AC14-12006D	IC;KA431Z,TO-92,TAPING	1	SA		W004	6003-000283	SCREW-TAPTITE;BH,+,B,M3,L8,Z	1	SA	
IC1S04	0402-001600	DIODE-RECTIFIER;MBRF20100CT,10	1	SA		W004	6003-000283	SCREW-TAPTITE;BH,+,B,M3,L8,Z	1	SA	
IC1S05	0402-001600	DIODE-RECTIFIER;MBRF20100CT,10	1	SA		W004	6003-000283	SCREW-TAPTITE;BH,+,B,M3,L8,Z	1	SA	
IC1S06	0402-001600	DIODE-RECTIFIER;MBRF20100CT,10	1	SA		W004	6003-000283	SCREW-TAPTITE;BH,+,B,M3,L8,Z	1	SA	
L1S01	AK29-00002A	FILTER EMI;RECORDER,SQ2222,0.4	1	SA		W004	6003-000283	SCREW-TAPTITE;BH,+,B,M3,L8,Z	1	SA	
L1S02	AK29-00002A	FILTER EMI;RECORDER,SQ2222,0.4	1	SA		W004	6003-000283	SCREW-TAPTITE;BH,+,B,M3,L8,Z	1	SA	
L1S30	AH27-00039A	COIL CHOKE;DR CHOKE(8*6),DVD-R	1	SA		W004	6003-000283	SCREW-TAPTITE;BH,+,B,M3,L8,Z	1	SA	
L1S31	AH27-00039A	COIL CHOKE;DR CHOKE(8*6),DVD-R	1	SA		W004	6003-000283	SCREW-TAPTITE;BH,+,B,M3,L8,Z	1	SA	
L1S32	AH27-00039A	COIL CHOKE;DR CHOKE(8*6),DVD-R	1	SA		W004	6003-000283	SCREW-TAPTITE;BH,+,B,M3,L8,Z	1	SA	
L1S33	AH27-00039A	COIL CHOKE;DR CHOKE(8*6),DVD-R	1	SA		ZD1P03	0403-000390	DIODE-ZENER;UZP33B,31.4-34.6V,	1	SA	
PCM1	3710-002036	SOCKET-BOARD TO BOARD;12P,1R,2	1	SA		ZD1S01	0403-001318	DIODE-ZENER;MTZJ4.3B,4.17-4.43	1	SA	
PCM2	3710-002036	SOCKET-BOARD TO BOARD;12P,1R,2	1	SA		ZD1S02	0403-000713	DIODE-ZENER;MTZJ20B,18.63-17.7	1	SA	
PCN3	3711-004379	HEADER-BOARD TO CABLE;BOX,4P,1	1	SA							
PCN4	3711-003942	HEADER-BOARD TO CABLE;BOX,2P,1	1	SA							
PT1SD1	AK26-00023A	TRANS SWITCHING;EER4032,DVD-SH	1	SA							
PV001	1405-000186	VARISTOR;470V,2500A,17.5x7.5mm	1	SA		<b>P005</b>	<b>AK92-01229A</b>	<b>ASSY PCB-FRONT;DVD-SH855/XEF,F</b>	<b>1</b>	<b>SA</b>	
Q1P01	0505-001522	FET-SILICON;FQP33N10,N,100V,33	1	SA		AC8	2401-000249	C-AL;100uF,20%,10V,GP,TP,6.3x5	1	SA	

Exploded Views and Parts List

Loc.No	Part No	Description ; Specification	Q'ty	S.N.A	Remark	Loc.No	Part No	Description ; Specification	Q'ty	S.N.A	Remark
AC9	2202-002037	C-CERAMIC,MLC-AXIAL;100nF,80-2	1	SA		AD4	0401-000101	DIODE-SWITCHING;1N4148,75V,150	1	SA	
ACN8	3711-001018	HEADER-BOARD TO CABLE;BOX,5P,1	1	SA		AE1	2401-000249	C-AL;100uF,20%,10V,GP,TP,6.3x5	1	SA	
AJACK1	3722-002384	JACK-PIN;3P,SN/NI,YEL/WHT/RED,	1	SA		AE4	2401-000249	C-AL;100uF,20%,10V,GP,TP,6.3x5	1	SA	
AJACK3	3722-002383	JACK-IEEE1394;4P/1,AU,BLK,ANGL	1	SA		AIC1	1003-001561	IC-LED DRIVER;PT6961,SOP,32P,3	1	SA	
AJACK4	3722-001051	JACK-USB;4P/1C,AU,BLK,ANGLE,A	1	SA		AL5	2701-000002	INDUCTOR-AXIAL;100UH,10%,4298	1	SA	
AL1	2701-000150	INDUCTOR-AXIAL;2.7uH,5%,2434	1	SA		AL6	2701-000002	INDUCTOR-AXIAL;100UH,10%,4298	1	SA	
AL2	2701-000181	INDUCTOR-AXIAL;33uH,5%,2434	1	SA		ALD05	0601-000497	LED;ROUND,GRN,3.1mm,565nm,3.8x	1	SA	
AL3	2701-000181	INDUCTOR-AXIAL;33uH,5%,2434	1	SA		ALD06	0601-000402	LED;ROUND,YEL,3MM,585NM,-	1	SA	
AL4	2701-000150	INDUCTOR-AXIAL;2.7uH,5%,2434	1	SA		ALD4	0601-001587	LED;ROUND,RED,3.1mm,635nm,3.8x	1	SA	
C1	2202-000183	C-CERAMIC,MLC-AXIAL;2.2NF,20%,	1	SA		AQ3	0504-000118	TR-DIGITAL;KSR1003,NPN,300MW,2	1	SA	
C2	2202-000183	C-CERAMIC,MLC-AXIAL;2.2NF,20%,	1	SA		AQ4	0504-000118	TR-DIGITAL;KSR1003,NPN,300MW,2	1	SA	
C3	2202-000231	C-CERAMIC,MLC-AXIAL;0.33NF,10%	1	SA		AQ5	0504-000118	TR-DIGITAL;KSR1003,NPN,300MW,2	1	SA	
C4	2202-000825	C-CERAMIC,MLC-AXIAL;680pF,10%,	1	SA		AR10	2001-000008	R-CARBON;15KOHM,5%,1/8W,AA,TP,	1	SA	
C6	2202-000231	C-CERAMIC,MLC-AXIAL;0.33NF,10%	1	SA		AR17	2001-000515	R-CARBON;220OHM,5%,1/8W,AA,TP,	1	SA	
FCN1	3708-002001	CONNECTOR-FPC/FFC/PIC;19P,1MM,	1	SA		AR18	2001-000515	R-CARBON;220OHM,5%,1/8W,AA,TP,	1	SA	
FL676	3809-001974	CABLE-FLAT;30V,80C,50MM,19P,1m	1	SA		AR19	2001-000515	R-CARBON;220OHM,5%,1/8W,AA,TP,	1	SA	
LD61A	AK61-00531A	HOLDER-LED;DVD-R145,ABS 94HB,T	1	SA		AR2	2001-000429	R-CARBON;1KOHM,5%,1/8W,AA,TP,1	1	SA	
LED1	0601-001928	LED;ROUND,BLUE,3mm,465nm,3.6x3	1	SA		AR3	2001-000429	R-CARBON;1KOHM,5%,1/8W,AA,TP,1	1	SA	
PDL01	2701-000114	INDUCTOR-AXIAL;10UH,10%,2534	1	SA		AR4	2001-000837	R-CARBON;51KOHM,5%,1/8W,AA,TP,	1	SA	
Q1	0501-000398	TR-SMALL SIGNAL;KSC945-Y,NPN,2	1	SA		AR5	2001-000734	R-CARBON;4.7KOHM,5%,1/8W,AA,TP	1	SA	
R1	2001-000969	R-CARBON;75OHM,5%,1/8W,AA,TP,1	1	SA		AR6	2001-000429	R-CARBON;1KOHM,5%,1/8W,AA,TP,1	1	SA	
R3	2001-000429	R-CARBON;1KOHM,5%,1/8W,AA,TP,1	1	SA		AR7	2001-000290	R-CARBON;10KOHM,5%,1/8W,AA,TP,	1	SA	
R4	2001-000429	R-CARBON;1KOHM,5%,1/8W,AA,TP,1	1	SA		AR8	2001-000008	R-CARBON;15KOHM,5%,1/8W,AA,TP,	1	SA	
R5	2001-000786	R-CARBON;47KOHM,5%,1/8W,AA,TP,	1	SA		AR9	2001-000008	R-CARBON;15KOHM,5%,1/8W,AA,TP,	1	SA	
R6	2001-000786	R-CARBON;47KOHM,5%,1/8W,AA,TP,	1	SA		ARM1	0609-001202	Module Remocon;HORIZONTAL,12.4	1	SA	
R7	2001-000429	R-CARBON;1KOHM,5%,1/8W,AA,TP,1	1	SA		ASW10	3404-000165	SWITCH-TACT;12V,50mA,160gf,6x6	1	SA	
R8	2001-000857	R-CARBON;560OHM,5%,1/8W,AA,TP,	1	SA		ASW11	3404-000165	SWITCH-TACT;12V,50mA,160gf,6x6	1	SA	
SW1	3404-001261	SWITCH-TACT;15V DC,20mA,100gf,	1	SA		ASW12	3404-000165	SWITCH-TACT;12V,50mA,160gf,6x6	1	SA	
SW2	3404-001261	SWITCH-TACT;15V DC,20mA,100gf,	1	SA		ASW13	3404-000165	SWITCH-TACT;12V,50mA,160gf,6x6	1	SA	
ZD01	0403-000720	DIODE-ZENER;MTZJ9.1B,8.57-9.01	1	SC		ASW2	3404-000165	SWITCH-TACT;12V,50mA,160gf,6x6	1	SA	
ZD02	0403-000720	DIODE-ZENER;MTZJ9.1B,8.57-9.01	1	SC		ASW4	3404-000165	SWITCH-TACT;12V,50mA,160gf,6x6	1	SA	
ZD03	0403-000720	DIODE-ZENER;MTZJ9.1B,8.57-9.01	1	SC		ASW6	3404-000165	SWITCH-TACT;12V,50mA,160gf,6x6	1	SA	
ZD04	0403-000720	DIODE-ZENER;MTZJ9.1B,8.57-9.01	1	SC		ASW7	3404-000165	SWITCH-TACT;12V,50mA,160gf,6x6	1	SA	
ZD05	0403-000720	DIODE-ZENER;MTZJ9.1B,8.57-9.01	1	SC		ASW8	3404-000165	SWITCH-TACT;12V,50mA,160gf,6x6	1	SA	
ZD06	0403-000720	DIODE-ZENER;MTZJ9.1B,8.57-9.01	1	SC		ASW9	3404-000165	SWITCH-TACT;12V,50mA,160gf,6x6	1	SA	
ZD07	0403-000720	DIODE-ZENER;MTZJ9.1B,8.57-9.01	1	SC		AVFD1	AK07-00062A	LED DISPLAY;BCD-9038B,DVD-AR65	1	SA	
ZD08	0403-000720	DIODE-ZENER;MTZJ9.1B,8.57-9.01	1	SC		FL622	3809-001806	FFC CABLE-FLAT;30V,80C,100mm,1	1	SA	
ZD09	0403-000720	DIODE-ZENER;MTZJ9.1B,8.57-9.01	1	SC							
ZD10	0403-000720	DIODE-ZENER;MTZJ9.1B,8.57-9.01	1	SC							
ZD11	0403-000720	DIODE-ZENER;MTZJ9.1B,8.57-9.01	1	SC							
ZD12	0403-000720	DIODE-ZENER;MTZJ9.1B,8.57-9.01	1	SC							
ZD13	0403-000720	DIODE-ZENER;MTZJ9.1B,8.57-9.01	1	SC							
ZD14	0403-000720	DIODE-ZENER;MTZJ9.1B,8.57-9.01	1	SC							
ZD15	0403-000720	DIODE-ZENER;MTZJ9.1B,8.57-9.01	1	SC							
ZD16	0403-000720	DIODE-ZENER;MTZJ9.1B,8.57-9.01	1	SC							
P005	AK92-01365A	ASSY PCB-FUNCTION;DVD-HR755,HD	1	SA		P022	AK92-01228A	ASSY PCB-JACK;DVD-SH855/XEF,JA	1	SA	
AC6	2202-000797	C-CERAMIC,MLC-AXIAL;10NF,30%,1	1	SA		AE2	2401-001249	C-AL;4.7uF,20%,35V,GP,TP,4x5.2	1	SA	
AC7	2202-000797	C-CERAMIC,MLC-AXIAL;10NF,30%,1	1	SA		AE24	2401-001249	C-AL;4.7uF,20%,35V,GP,TP,4x5.2	1	SA	
AC8	2202-000797	C-CERAMIC,MLC-AXIAL;10NF,30%,1	1	SA		AE25	2401-001249	C-AL;4.7uF,20%,35V,GP,TP,4x5.2	1	SA	
ACN5	3708-000178	CONNECTOR-FPC/FFC/PIC;16P,1.25	1	SA		AE26	2401-001249	C-AL;4.7uF,20%,35V,GP,TP,4x5.2	1	SA	
AD1	0401-000101	DIODE-SWITCHING;1N4148,75V,150	1	SA		AE3	2401-001249	C-AL;4.7uF,20%,35V,GP,TP,4x5.2	1	SA	
AD2	0401-000101	DIODE-SWITCHING;1N4148,75V,150	1	SA		AHC10	2203-005148	C-CER,CHIP;100nF,10%,16V,X7R,1	1	SA	
AD3	0401-000101	DIODE-SWITCHING;1N4148,75V,150	1	SA		AHC11	2203-005148	C-CER,CHIP;100nF,10%,16V,X7R,1	1	SA	
						AHC12	2203-005148	C-CER,CHIP;100nF,10%,16V,X7R,1	1	SA	
						AHC14	2203-000257	C-CER,CHIP;10nF,10%,50V,X7R,16	1	SA	
						AHC15	2203-000125	C-CER,CHIP;1.2nF,10%,50V,X7R,T	1	SA	
						AHC16	2203-005148	C-CER,CHIP;100nF,10%,16V,X7R,1	1	SA	
						AHC17	2203-000315	C-CER,CHIP;0.12nF,5%,50V,COG,1	1	SA	
						AHC18	2203-000125	C-CER,CHIP;1.2nF,10%,50V,X7R,T	1	SA	
						AHC19	2401-001502	C-AL;4.7uF,20%,16V,GP,TP,6.3x5,	1	SA	

Loc.No	Part No	Description ; Specification	Q'ty	S.N.A	Remark	Loc.No	Part No	Description ; Specification	Q'ty	S.N.A	Remark
AHC20	2203-000315	C-CER,CHIP;0.12nF,5%,50V,COG,1	1	SA		AHR18	2001-000472	R-CARBON;2.7KOHM,5%,1/8W,AA,TP	1	SA	
AHC21	2203-005148	C-CER,CHIP;100nF,10%,16V,X7R,1	1	SA		AHR19	2007-000097	R-CHIP;47Kohm,5%,1/10W,TP,1608	1	SA	
AHD10	0402-000127	DIODE-RECTIFIER;1N4002,100V,1A	1	SA		AHR22	2001-000539	R-CARBON;24KOHM,5%,1/8W,AA,TP	1	SA	
AHD11	0401-000101	DIODE-SWITCHING;1N4148,75V,150	1	SA		AHR23	2001-000539	R-CARBON;24KOHM,5%,1/8W,AA,TP	1	SA	
AHE01	2401-001249	C-AL;4.7uF,20%,35V,GP,TP,4x5,2	1	SA		AHR24	2001-000539	R-CARBON;24KOHM,5%,1/8W,AA,TP	1	SA	
AHE02	2401-001249	C-AL;4.7uF,20%,35V,GP,TP,4x5,2	1	SA		AHR25	2001-000539	R-CARBON;24KOHM,5%,1/8W,AA,TP	1	SA	
AHE10	2401-000408	C-AL;10uF,20%,16V,GP,TP,3.5x5,	1	SA		AHR26	2001-000539	R-CARBON;24KOHM,5%,1/8W,AA,TP	1	SA	
AHE11	2401-000408	C-AL;10uF,20%,16V,GP,TP,3.5x5,	1	SA		AHR27	2007-000616	R-CHIP;24Kohm,5%,1/10W,TP,1608	1	SA	
AHE13	2401-000408	C-AL;10uF,20%,16V,GP,TP,3.5x5,	1	SA		AHR28	2007-000616	R-CHIP;24Kohm,5%,1/10W,TP,1608	1	SA	
AHE14	2401-000408	C-AL;10uF,20%,16V,GP,TP,3.5x5,	1	SA		AHR29	2007-000616	R-CHIP;24Kohm,5%,1/10W,TP,1608	1	SA	
AHE15	2401-000408	C-AL;10uF,20%,16V,GP,TP,3.5x5,	1	SA		AHR3	2007-000124	R-CHIP;2.2Kohm,5%,1/10W,TP,160	1	SA	
AHE16	2401-001502	C-AL;47uF,20%,16V,GP,TP,6.3x5,	1	SA		AHR30	2007-000616	R-CHIP;24Kohm,5%,1/10W,TP,1608	1	SA	
AHE17	2401-001502	C-AL;47uF,20%,16V,GP,TP,6.3x5,	1	SA		AHR31	2007-000616	R-CHIP;24Kohm,5%,1/10W,TP,1608	1	SA	
AHE18	2401-001502	C-AL;47uF,20%,16V,GP,TP,6.3x5,	1	SA		AHR32	2007-000616	R-CHIP;24Kohm,5%,1/10W,TP,1608	1	SA	
AHE19	2203-005148	C-CER,CHIP;100nF,10%,16V,X7R,1	1	SA		AHR33	2007-000092	R-CHIP;15Kohm,5%,1/10W,TP,1608	1	SA	
AHE20	2401-003122	C-AL;4.7uF,20%,50V,LL,TP,5X7,5	1	SA		AHR34	2007-000122	R-CHIP;1.2Kohm,5%,1/10W,TP,160	1	SA	
AHE21	2401-001249	C-AL;4.7uF,20%,35V,GP,TP,4x5,2	1	SA		AHR35	2007-000097	R-CHIP;47Kohm,5%,1/10W,TP,1608	1	SA	
AHE22	2401-001249	C-AL;4.7uF,20%,35V,GP,TP,4x5,2	1	SA		AHR36	2007-000097	R-CHIP;47Kohm,5%,1/10W,TP,1608	1	SA	
AHE23	2401-001249	C-AL;4.7uF,20%,35V,GP,TP,4x5,2	1	SA		AHR37	2007-000122	R-CHIP;1.2Kohm,5%,1/10W,TP,160	1	SA	
AHE27	2401-001249	C-AL;4.7uF,20%,35V,GP,TP,4x5,2	1	SA		AHR38	2007-000092	R-CHIP;15Kohm,5%,1/10W,TP,1608	1	SA	
AHE28	2401-001249	C-AL;4.7uF,20%,35V,GP,TP,4x5,2	1	SA		AHR39	2001-000435	R-CARBON;1MOHM,5%,1/8W,AA,TP,1	1	SA	
AHE29	2401-001249	C-AL;4.7uF,20%,35V,GP,TP,4x5,2	1	SA		AHR4	2007-000124	R-CHIP;2.2Kohm,5%,1/10W,TP,160	1	SA	
AHE3	2401-001249	C-AL;4.7uF,20%,35V,GP,TP,4x5,2	1	SA		AHR40	2007-001179	R-CHIP;8.2Kohm,5%,1/10W,TP,160	1	SA	
AHE30	2401-001249	C-AL;4.7uF,20%,35V,GP,TP,4x5,2	1	SA		AHR41	2007-001179	R-CHIP;8.2Kohm,5%,1/10W,TP,160	1	SA	
AHE31	2401-000408	C-AL;10uF,20%,16V,GP,TP,3.5x5,	1	SA		AHR42	2001-000539	R-CARBON;24KOHM,5%,1/8W,AA,TP	1	SA	
AHE32	2401-000408	C-AL;10uF,20%,16V,GP,TP,3.5x5,	1	SA		AHR50	2001-000281	R-CARBON;100OHM,5%,1/8W,AA,TP	1	SA	
AHE33	2401-000408	C-AL;10uF,20%,16V,GP,TP,3.5x5,	1	SA		AHR51	2001-000281	R-CARBON;100OHM,5%,1/8W,AA,TP	1	SA	
AHE34	2401-000408	C-AL;10uF,20%,16V,GP,TP,3.5x5,	1	SA		AHR52	2007-000109	R-CHIP;1Mohm,5%,1/10W,TP,1608	1	SA	
AHE35	2401-000909	C-AL;22uF,20%,16V,GP,TP,5x5,2	1	SA		AHR54	2007-000070	R-CHIP;0ohm,5%,1/10W,TP,1608	1	SA	
AHE36	2401-000588	C-AL;1uF,20%,50V,GP,TP,3x5,2.5	1	SA		AHR9	2001-000241	R-CARBON;1.5KOHM,5%,1/8W,AA,TP	1	SA	
AHE37	2401-000588	C-AL;1uF,20%,50V,GP,TP,3x5,2.5	1	SA		AL_ECO	3301-001670	BEAD-SMD;60ohm,2012,3000mA,TP,	1	SA	
AHE38	2401-000588	C-AL;1uF,20%,50V,GP,TP,3x5,2.5	1	SA		AMC01	2203-005148	C-CER,CHIP;100nF,10%,16V,X7R,1	1	SA	
AHE39	2401-000588	C-AL;1uF,20%,50V,GP,TP,3x5,2.5	1	SA		AME2	2401-001502	C-AL;47uF,20%,16V,GP,TP,6.3x5,	1	SA	
AHE4	2401-001249	C-AL;4.7uF,20%,35V,GP,TP,4x5,2	1	SA		AR1	2007-000616	R-CHIP;24Kohm,5%,1/10W,TP,1608	1	SA	
AHE40	2401-001249	C-AL;4.7uF,20%,35V,GP,TP,4x5,2	1	SA		AR11	2007-000616	R-CHIP;24Kohm,5%,1/10W,TP,1608	1	SA	
AHE41	2401-001249	C-AL;4.7uF,20%,35V,GP,TP,4x5,2	1	SA		AR12	2001-000539	R-CARBON;24KOHM,5%,1/8W,AA,TP	1	SA	
AHE44	2401-000408	C-AL;10uF,20%,16V,GP,TP,3.5x5,	1	SA		AR14	2001-000539	R-CARBON;24KOHM,5%,1/8W,AA,TP	1	SA	
AHE45	2401-000408	C-AL;10uF,20%,16V,GP,TP,3.5x5,	1	SA		CEC01	2203-005148	C-CER,CHIP;100nF,10%,16V,X7R,1	1	SA	
AHE46	2401-000408	C-AL;10uF,20%,16V,GP,TP,3.5x5,	1	SA		CEC04	2203-005148	C-CER,CHIP;100nF,10%,16V,X7R,1	1	SA	
AHQ1	0501-000398	TR-SMALL SIGNAL;KSC945-Y,NPN,2	1	SA		CEIC1	AK09-00159A	IC MICOM;-;MC80C0316-MC015 D32	1	SNA	
AHQ10	0501-000398	TR-SMALL SIGNAL;KSC945-Y,NPN,2	1	SA		CEIC2	1103-001398	IC-EEPROM;24C02,2Kbit,256Kx8,S	1	SA	
AHQ2	0501-000398	TR-SMALL SIGNAL;KSC945-Y,NPN,2	1	SA		CEQ1	0501-000341	TR-SMALL SIGNAL;KSC1623-L,NPN,	1	SA	
AHQ3	0504-000156	TR-DIGITAL;KSR2103,PNP,200MW,2	1	SA		CEQ2	0505-000110	FET-SILICON;2N7002,N,60V,115mA	1	SA	
AHQ4	0504-000156	TR-DIGITAL;KSR2103,PNP,200MW,2	1	SA		CER01	2007-000070	R-CHIP;0ohm,5%,1/10W,TP,1608	1	SA	
AHR01	2001-000539	R-CARBON;24KOHM,5%,1/8W,AA,TP,	1	SA		CER02	2007-000071	R-CHIP;22ohm,5%,1/10W,TP,1608	1	SA	
AHR02	2001-000539	R-CARBON;24KOHM,5%,1/8W,AA,TP,	1	SA		CER03	2007-000071	R-CHIP;22ohm,5%,1/10W,TP,1608	1	SA	
AHR1	2007-000070	R-CHIP;0ohm,5%,1/10W,TP,1608	1	SA		CER04	2007-000084	R-CHIP;4.7Kohm,5%,1/10W,TP,160	1	SA	
AHR10	2007-000125	R-CHIP;3.9Kohm,5%,1/10W,TP,160	1	SA		CER05	2007-000084	R-CHIP;4.7Kohm,5%,1/10W,TP,160	1	SA	
AHR11	2007-000125	R-CHIP;3.9Kohm,5%,1/10W,TP,160	1	SA		CER06	2007-000084	R-CHIP;4.7Kohm,5%,1/10W,TP,160	1	SA	
AHR12	2007-000125	R-CHIP;3.9Kohm,5%,1/10W,TP,160	1	SA		CER07	2007-000539	R-CHIP;200ohm,5%,1/10W,TP,1608	1	SA	
AHR13	2007-000125	R-CHIP;3.9Kohm,5%,1/10W,TP,160	1	SA		CER09	2007-000539	R-CHIP;200ohm,5%,1/10W,TP,1608	1	SA	
AHR14	2007-000125	R-CHIP;3.9Kohm,5%,1/10W,TP,160	1	SA		CER10	2007-000071	R-CHIP;22ohm,5%,1/10W,TP,1608	1	SA	
AHR15	2007-000125	R-CHIP;3.9Kohm,5%,1/10W,TP,160	1	SA		CER11	2007-000071	R-CHIP;22ohm,5%,1/10W,TP,1608	1	SA	
AHR16	2007-000125	R-CHIP;3.9Kohm,5%,1/10W,TP,160	1	SA		CER12	2007-000084	R-CHIP;4.7Kohm,5%,1/10W,TP,160	1	SA	
AHR17	2007-000125	R-CHIP;3.9Kohm,5%,1/10W,TP,160	1	SA		CER13	2007-000084	R-CHIP;4.7Kohm,5%,1/10W,TP,160	1	SA	

Exploded Views and Parts List

Loc.No	Part No	Description ; Specification	Q'ty	S.N.A	Remark	Loc.No	Part No	Description ; Specification	Q'ty	S.N.A	Remark
CER17	2007-000084	R-CHIP;4.7Kohm,5%,1/10W,TP;160	1	SA		FIC2	1103-001224	IC-EEPROM;524L50X51,2Kx8,SOP;8	1	SA	
CER20	2007-000084	R-CHIP;4.7Kohm,5%,1/10W,TP;160	1	SA		FIC3	0801-002741	IC-CMOS LOGIC;BU4053BCFV,MUX,S	1	SA	
CER21	2007-000084	R-CHIP;4.7Kohm,5%,1/10W,TP;160	1	SA		FIC4	AC14-12006C	IC;KA7533,DIP,-	1	SA	
CER23	2007-000071	R-CHIP;22ohm,5%,1/10W,TP;1608	1	SA		FQ1	0504-000129	TR-DIGITAL;KSR1104,NPN,200mW,4	1	SA	
CER25	2001-000734	R-CARBON;4.7KOHM,5%,1/8W,AA,TP	1	SA		FR10	2007-000090	R-CHIP;10Kohm,5%,1/10W,TP;1608	1	SA	
CER26	2001-000734	R-CARBON;4.7KOHM,5%,1/8W,AA,TP	1	SA		FR11	2001-000290	R-CARBON;10KOHM,5%,1/8W,AA,TP,	1	SA	
CER27	2001-000734	R-CARBON;4.7KOHM,5%,1/8W,AA,TP	1	SA		FR12	2007-000090	R-CHIP;10Kohm,5%,1/10W,TP;1608	1	SA	
CER42	2007-000090	R-CHIP;10Kohm,5%,1/10W,TP;1608	1	SA		FR13	2007-000090	R-CHIP;10Kohm,5%,1/10W,TP;1608	1	SA	
CER43	2007-000081	R-CHIP;2.7Kohm,5%,1/10W,TP;160	1	SA		FR14	2007-000100	R-CHIP;68Kohm,5%,1/10W,TP;1608	1	SA	
CER44	2007-000078	R-CHIP;1Kohm,5%,1/10W,TP;1608	1	SA		FR15	2007-000102	R-CHIP;100Kohm,5%,1/10W,TP;160	1	SA	
CER45	2007-000093	R-CHIP;20Kohm,5%,1/10W,TP;1608	1	SA		FR18	2007-000070	R-CHIP;0ohm,5%,1/10W,TP;1608	1	SA	
CEXT1	2802-001094	RESONATOR-CERAMIC;4.0MHz,0.5%,	1	SA		FR2	2007-000090	R-CHIP;10Kohm,5%,1/10W,TP;1608	1	SA	
CJACK	3722-001516	JACK-PIN;1P;3.5mm,NI,BLK,-	1	SA		FR20	2007-000090	R-CHIP;10Kohm,5%,1/10W,TP;1608	1	SA	
CN3	3711-005563	HEADER-BOARD TO BOARD;BOX,30P,	1	SA		FR24	2007-000090	R-CHIP;10Kohm,5%,1/10W,TP;1608	1	SA	
CN4	3711-005563	HEADER-BOARD TO BOARD;BOX,30P,	1	SA		FR25	2007-000090	R-CHIP;10Kohm,5%,1/10W,TP;1608	1	SA	
CN5	3711-005563	HEADER-BOARD TO BOARD;BOX,30P,	1	SA		FR26	2007-000090	R-CHIP;10Kohm,5%,1/10W,TP;1608	1	SA	
CRD01	0406-001172	DIODE-TVS;CDS3C30GTH,48V,SMD	1	SA		FR27	2007-000090	R-CHIP;10Kohm,5%,1/10W,TP;1608	1	SA	
CRD02	0406-001172	DIODE-TVS;CDS3C30GTH,48V,SMD	1	SA		FR28	2007-000071	R-CHIP;22ohm,5%,1/10W,TP;1608	1	SA	
CRD03	0406-001172	DIODE-TVS;CDS3C30GTH,48V,SMD	1	SA		FR30	2007-000074	R-CHIP;100ohm,5%,1/10W,TP;1608	1	SA	
CRD04	0406-001172	DIODE-TVS;CDS3C30GTH,48V,SMD	1	SA		FR31	2007-000072	R-CHIP;47ohm,5%,1/10W,TP;1608	1	SA	
CRD05	0403-001083	DIODE-ZENER;UDZ9.1B,8.85-9.23V	1	SA		FR32	2001-000793	R-CARBON;47OHM,5%,1/8W,AA,TP;1	1	SA	
CRD06	0403-001083	DIODE-ZENER;UDZ9.1B,8.85-9.23V	1	SA		FR33	2001-000793	R-CARBON;47OHM,5%,1/8W,AA,TP;1	1	SA	
CRD07	0406-001172	DIODE-TVS;CDS3C30GTH,48V,SMD	1	SA		FR34	2007-000084	R-CHIP;4.7Kohm,5%,1/10W,TP;160	1	SA	
CRD08	0406-001172	DIODE-TVS;CDS3C30GTH,48V,SMD	1	SA		FR37	2007-000072	R-CHIP;47ohm,5%,1/10W,TP;1608	1	SA	
CRD09	0406-001172	DIODE-TVS;CDS3C30GTH,48V,SMD	1	SA		FR38	2007-000072	R-CHIP;47ohm,5%,1/10W,TP;1608	1	SA	
CRD10	0406-001172	DIODE-TVS;CDS3C30GTH,48V,SMD	1	SA		FR39	2007-000072	R-CHIP;47ohm,5%,1/10W,TP;1608	1	SA	
CRD11	0406-001172	DIODE-TVS;CDS3C30GTH,48V,SMD	1	SA		FR40	2007-000072	R-CHIP;47ohm,5%,1/10W,TP;1608	1	SA	
CRD12	0403-001083	DIODE-ZENER;UDZ9.1B,8.85-9.23V	1	SA		FR41	2007-000084	R-CHIP;4.7Kohm,5%,1/10W,TP;160	1	SA	
CRD13	0406-001172	DIODE-TVS;CDS3C30GTH,48V,SMD	1	SA		FR42	2007-000084	R-CHIP;4.7Kohm,5%,1/10W,TP;160	1	SA	
CRD14	0403-001083	DIODE-ZENER;UDZ9.1B,8.85-9.23V	1	SA		FR43	2007-000072	R-CHIP;47ohm,5%,1/10W,TP;1608	1	SA	
CRD15	0406-001172	DIODE-TVS;CDS3C30GTH,48V,SMD	1	SA		FR44	2007-000072	R-CHIP;47ohm,5%,1/10W,TP;1608	1	SA	
CRD16	0406-001172	DIODE-TVS;CDS3C30GTH,48V,SMD	1	SA		FR47	2001-000472	R-CARBON;2.7KOHM,5%,1/8W,AA,TP	1	SA	
CRD17	0403-001083	DIODE-ZENER;UDZ9.1B,8.85-9.23V	1	SA		FR48	2001-000472	R-CARBON;2.7KOHM,5%,1/8W,AA,TP	1	SA	
CRD18	0403-001083	DIODE-ZENER;UDZ9.1B,8.85-9.23V	1	SA		FR49	2007-000078	R-CHIP;1Kohm,5%,1/10W,TP;1608	1	SA	
CRD19	0403-001083	DIODE-ZENER;UDZ9.1B,8.85-9.23V	1	SA		FR5	2007-000090	R-CHIP;10Kohm,5%,1/10W,TP;1608	1	SA	
CRD20	0406-001172	DIODE-TVS;CDS3C30GTH,48V,SMD	1	SA		FR50	2007-000081	R-CHIP;2.7Kohm,5%,1/10W,TP;160	1	SA	
CRD21	0406-001172	DIODE-TVS;CDS3C30GTH,48V,SMD	1	SA		FR51	2001-000734	R-CARBON;4.7KOHM,5%,1/8W,AA,TP	1	SA	
CRD22	0406-001172	DIODE-TVS;CDS3C30GTH,48V,SMD	1	SA		FR52	2001-000734	R-CARBON;4.7KOHM,5%,1/8W,AA,TP	1	SA	
CRD23	0406-001172	DIODE-TVS;CDS3C30GTH,48V,SMD	1	SA		FR53	2007-000070	R-CHIP;0ohm,5%,1/10W,TP;1608	1	SA	
CRD24	0406-001172	DIODE-TVS;CDS3C30GTH,48V,SMD	1	SA		FR54	2007-000070	R-CHIP;0ohm,5%,1/10W,TP;1608	1	SA	
CRD25	0406-001172	DIODE-TVS;CDS3C30GTH,48V,SMD	1	SA		FR6	2007-000090	R-CHIP;10Kohm,5%,1/10W,TP;1608	1	SA	
CRD39	0406-001172	DIODE-TVS;CDS3C30GTH,48V,SMD	1	SA		FR7	2007-000078	R-CHIP;1Kohm,5%,1/10W,TP;1608	1	SA	
CRD40	0406-001172	DIODE-TVS;CDS3C30GTH,48V,SMD	1	SA		FX1	2801-003139	CRYSTAL-UNIT;8MHz,50ppm,28-AAA	1	SA	
CRD41	0403-001083	DIODE-ZENER;UDZ9.1B,8.85-9.23V	1	SA		HPCN	3711-000240	HEADER-BOARD TO CABLE;1WALL,4P	1	SA	
CRD43	0403-001083	DIODE-ZENER;UDZ9.1B,8.85-9.23V	1	SA		IC216	1001-001368	IC-AV SWITCH;HA118827,-,QFP;56	1	SA	
CRD44	0403-001083	DIODE-ZENER;UDZ9.1B,8.85-9.23V	1	SA		IC217	1201-000163	IC-OP AMP;4560,SOP;8P;173MIL,D	1	SA	
CRD45	0403-001083	DIODE-ZENER;UDZ9.1B,8.85-9.23V	1	SA		KCN16	3708-000181	CONNECTOR-FPC/FPC/PIC;16P;1.25	1	SA	
FC3	2203-000626	C-CER,CHIP;0.022nf,5%,50V,COG,	1	SA		KCN19	3708-002001	CONNECTOR-FPC/FPC/PIC;19P;1MM,	1	SA	
FC4	2203-000626	C-CER,CHIP;0.022nf,5%,50V,COG,	1	SA		PC1	2203-005148	C-CER,CHIP;100nf,10%,16V,X7R,1	1	SA	
FC5	2203-000257	C-CER,CHIP;10nf,10%,50V,X7R,16	1	SA		PC10	2203-005148	C-CER,CHIP;100nf,10%,16V,X7R,1	1	SA	
FC6	2203-000257	C-CER,CHIP;10nf,10%,50V,X7R,16	1	SA		PC11	2203-005148	C-CER,CHIP;100nf,10%,16V,X7R,1	1	SA	
FC7	2203-005148	C-CER,CHIP;100nf,10%,16V,X7R,1	1	SA		PC12	2203-005148	C-CER,CHIP;100nf,10%,16V,X7R,1	1	SA	
FD1	0401-000101	DIODE-SWITCHING;1N4148,75V,150	1	SA		PC13	2203-005148	C-CER,CHIP;100nf,10%,16V,X7R,1	1	SA	
FE1	2203-005819	C-CER,CHIP;1000nf,+80-20%,16V,	1	SA		PC14	2401-001479	C-AL;470uF,20%,10V,GPT;6.3*1	1	SA	
FIC1	AK09-00173A	IC MICOM;N128-C21-3BA,SH853E,1	1	SNA							

Loc.No	Part No	Description ; Specification	Q'ty	S.N.A	Remark	Loc.No	Part No	Description ; Specification	Q'ty	S.N.A	Remark
PC15	2401-001479	C-AL;470uf,20%,10V,GP,TP6.3*1	1	SA		SC2	2203-005148	C-CER,CHIP;100nf,10%,16V,X7R,1	1	SA	
PC16	2203-005148	C-CER,CHIP;100nf,10%,16V,X7R,1	1	SA		SC21	2203-000236	C-CER,CHIP;0.1nf,5%,50V,COG,16	1	SA	
PC17	2401-001479	C-AL;470uf,20%,10V,GP,TP6.3*1	1	SA		SC22	2202-002037	C-CERAMIC,MLC-AXIAL;100nf,80-2	1	SA	
PC18	2203-005148	C-CER,CHIP;100nf,10%,16V,X7R,1	1	SA		SC23	2203-000236	C-CER,CHIP;0.1nf,5%,50V,COG,16	1	SA	
PC2	2203-005148	C-CER,CHIP;100nf,10%,16V,X7R,1	1	SA		SC25	2203-000236	C-CER,CHIP;0.1nf,5%,50V,COG,16	1	SA	
PC3	2203-005148	C-CER,CHIP;100nf,10%,16V,X7R,1	1	SA		SC26	2203-001607	C-CER,CHIP;0.22nf,5%,50V,NPO,1	1	SA	
PC4	2203-005148	C-CER,CHIP;100nf,10%,16V,X7R,1	1	SA		SC27	2203-000236	C-CER,CHIP;0.1nf,5%,50V,COG,16	1	SA	
PC5	2203-005148	C-CER,CHIP;100nf,10%,16V,X7R,1	1	SA		SC28	2203-001607	C-CER,CHIP;0.22nf,5%,50V,NPO,1	1	SA	
PC6	2203-005148	C-CER,CHIP;100nf,10%,16V,X7R,1	1	SA		SC29	2203-000236	C-CER,CHIP;0.1nf,5%,50V,COG,16	1	SA	
PC7	2203-005148	C-CER,CHIP;100nf,10%,16V,X7R,1	1	SA		SC3	2203-000236	C-CER,CHIP;0.1nf,5%,50V,COG,16	1	SA	
PC9	2203-005148	C-CER,CHIP;100nf,10%,16V,X7R,1	1	SA		SC30	2203-001607	C-CER,CHIP;0.22nf,5%,50V,NPO,1	1	SA	
PCN1	3711-001246	HEADER-BOARD TO BOARD;NOWALL,1	1	SA		SC31	2203-000236	C-CER,CHIP;0.1nf,5%,50V,COG,16	1	SA	
PCN2	3711-001246	HEADER-BOARD TO BOARD;NOWALL,1	1	SA		SC33	2203-000236	C-CER,CHIP;0.1nf,5%,50V,COG,16	1	SA	
PD1	0401-000101	DIODE-SWITCHING;1N4148,75V,150	1	SA		SC35	2203-005148	C-CER,CHIP;100nf,10%,16V,X7R,1	1	SA	
PD2	0402-000165	DIODE-RECTIFIER;1N5819,40V,1A,	1	SA		SC5	2203-000236	C-CER,CHIP;0.1nf,5%,50V,COG,16	1	SA	
PD3	0402-001438	DIODE-RECTIFIER;SHK55-65,60V,3	1	SA		SC6	2203-000236	C-CER,CHIP;0.1nf,5%,50V,COG,16	1	SA	
PD4	0403-000720	DIODE-ZENER;MTZJ9.1B,8.57-9.01	1	SC		SC7	2203-000236	C-CER,CHIP;0.1nf,5%,50V,COG,16	1	SA	
PE1	2401-001479	C-AL;470uf,20%,10V,GP,TP6.3*1	1	SA		SC8	2203-000236	C-CER,CHIP;0.1nf,5%,50V,COG,16	1	SA	
PE10	2401-001479	C-AL;470uf,20%,10V,GP,TP6.3*1	1	SA		SC9	2203-000491	C-CER,CHIP;2.2nf,10%,50V,X7R,1	1	SA	
PE11	2401-001479	C-AL;470uf,20%,10V,GP,TP6.3*1	1	SA		SD1	0401-000101	DIODE-SWITCHING;1N4148,75V,150	1	SA	
PE12	2401-001479	C-AL;470uf,20%,10V,GP,TP6.3*1	1	SA		SD2	0407-000114	DIODE-ARRAY;-80V,100mA,CA2-3,	1	SA	
PE13	2401-000303	C-AL;100uf,20%,25V,GP,TP6.3x1	1	SA		SD3	0407-000114	DIODE-ARRAY;-80V,100mA,CA2-3,	1	SA	
PE15	2401-001730	C-AL;100uf,20%,50V,GP,TP5X11,5	1	SA		SE1	2401-001479	C-AL;470uf,20%,10V,GP,TP6.3*1	1	SA	
PE16	2401-001250	C-AL;4.7uf,20%,35V,GP,TP4x5,5	1	SA		SE10	2401-002165	C-AL;100uf,20%,16V,GP,TP6.3x7	1	SA	
PE17	2401-001730	C-AL;100uf,20%,50V,GP,TP5X11,5	1	SA		SE11	2401-001479	C-AL;470uf,20%,10V,GP,TP6.3*1	1	SA	
PE18	2401-001479	C-AL;470uf,20%,10V,GP,TP6.3*1	1	SA		SE13	2401-002165	C-AL;100uf,20%,16V,GP,TP6.3x7	1	SA	
PE2	2401-001479	C-AL;470uf,20%,10V,GP,TP6.3*1	1	SA		SE14	2401-000426	C-AL;10uf,20%,16V,GP,TP3.5x5,	1	SA	
PE3	2401-000303	C-AL;100uf,20%,25V,GP,TP6.3x1	1	SA		SE2	2401-001479	C-AL;470uf,20%,10V,GP,TP6.3*1	1	SA	
PE4	2401-001479	C-AL;470uf,20%,10V,GP,TP6.3*1	1	SA		SE3	2401-001479	C-AL;470uf,20%,10V,GP,TP6.3*1	1	SA	
PE5	2401-001479	C-AL;470uf,20%,10V,GP,TP6.3*1	1	SA		SE4	2401-001479	C-AL;470uf,20%,10V,GP,TP6.3*1	1	SA	
PE6	2401-001479	C-AL;470uf,20%,10V,GP,TP6.3*1	1	SA		SE6	2401-001479	C-AL;470uf,20%,10V,GP,TP6.3*1	1	SA	
PE7	2401-001479	C-AL;470uf,20%,10V,GP,TP6.3*1	1	SA		SE7	2401-001479	C-AL;470uf,20%,10V,GP,TP6.3*1	1	SA	
PE8	2401-001479	C-AL;470uf,20%,10V,GP,TP6.3*1	1	SA		SE8	2401-001479	C-AL;470uf,20%,10V,GP,TP6.3*1	1	SA	
PE9	2401-000249	C-AL;100uf,20%,10V,GP,TP6.3x5	1	SA		SI2	1204-001748	IC-SELECTOR;MM1503XN,SOP6P;63	1	SA	
PL5	2701-000002	INDUCTOR-AXIAL;100UH,10%,4298	1	SA		SJACK1	3722-002321	JACK-SCART;42P,-SN+PB,BLK,-	1	SA	
PPLF1	2701-000002	INDUCTOR-AXIAL;100UH,10%,4298	1	SA		SJACK3	3707-001070	CONNECTOR-OPTICAL;PLUG,GP1FA55	1	SA	
PPLF3	2701-000002	INDUCTOR-AXIAL;100UH,10%,4298	1	SA		SJACK5	3722-002497	JACK-PIN;6P+1P(DIN),SN/NI,RED/	1	SA	
PPLF4	2701-000002	INDUCTOR-AXIAL;100UH,10%,4298	1	SA		SL1	2701-000181	INDUCTOR-AXIAL;33uH,5%,2434	1	SA	
PPLF5	2701-000002	INDUCTOR-AXIAL;100UH,10%,4298	1	SA		SL10	2701-000181	INDUCTOR-AXIAL;33uH,5%,2434	1	SA	
PQ1	0501-000362	TR-SMALL SIGNAL;KSC2328A-Y,NPN	1	SA		SL12	2701-000181	INDUCTOR-AXIAL;33uH,5%,2434	1	SA	
PR01	2007-000078	R-CHIP;1Kohm,5%,1/10W,TP,1608	1	SA		SL13	AC27-92001M	COIL-INDUCTOR;RH3.5X6.5RS,BEAD	1	SC	
PR02	2001-000429	R-CARBON;1KOHM,5%,1/8W,AA,TP,1	1	SA		SL14	2701-000114	INDUCTOR-AXIAL;10UH,10%,2534	1	SA	
PR03	2007-000450	R-CHIP;180ohm,5%,1/10W,TP,1608	1	SA		SL15	2701-000181	INDUCTOR-AXIAL;33uH,5%,2434	1	SA	
PR04	2001-000429	R-CARBON;1KOHM,5%,1/8W,AA,TP,1	1	SA		SL16	2701-000181	INDUCTOR-AXIAL;33uH,5%,2434	1	SA	
PR06	2003-000458	R-METAL OXIDE(S);100ohm,5%,2W,	1	SA		SL17	2701-000181	INDUCTOR-AXIAL;33uH,5%,2434	1	SA	
REG01	1203-001586	IC-POSIFIXED REG.;278R33,TO-2	1	SA		SL18	AC27-92001M	COIL-INDUCTOR;RH3.5X6.5RS,BEAD	1	SC	
REG02	1203-002185	IC-POSIFIXED REG.;3RD13,TO-22	1	SA		SL2	3301-001419	BEAD-SMD;220ohm,1608,TP,133ohm	1	SA	
REG03	1203-001589	IC-POSIFIXED REG.;278R05,TO-2	1	SA		SL3	2701-000181	INDUCTOR-AXIAL;33uH,5%,2434	1	SA	
SC10	2203-000491	C-CER,CHIP;2.2nf,10%,50V,X7R,1	1	SA		SL4	3301-001419	BEAD-SMD;220ohm,1608,TP,133ohm	1	SA	
SC12	2203-000491	C-CER,CHIP;2.2nf,10%,50V,X7R,1	1	SA		SL5	2701-000181	INDUCTOR-AXIAL;33uH,5%,2434	1	SA	
SC13	2203-005148	C-CER,CHIP;100nf,10%,16V,X7R,1	1	SA		SL6	3301-001419	BEAD-SMD;220ohm,1608,TP,133ohm	1	SA	
SC14	2203-000491	C-CER,CHIP;2.2nf,10%,50V,X7R,1	1	SA		SL7	3301-000314	BEAD-SMD;120ohm,1.6x0.8x0.8mm,	1	SA	
SC15	2203-005148	C-CER,CHIP;100nf,10%,16V,X7R,1	1	SA		SL8	3301-000314	BEAD-SMD;120ohm,1.6x0.8x0.8mm,	1	SA	
SC16	2203-000236	C-CER,CHIP;0.1nf,5%,50V,COG,16	1	SA		SQ1	0501-000341	TR-SMALL SIGNAL;KSC1623-L,NPN,	1	SA	
SC18	2203-000236	C-CER,CHIP;0.1nf,5%,50V,COG,16	1	SA							

Exploded Views and Parts List

Loc.No	Part No	Description ; Specification	Q'ty	S.N.A	Remark	Loc.No	Part No	Description ; Specification	Q'ty	S.N.A	Remark
SQ2	0504-000129	TR-DIGITAL;KSR1104,NPN,200mW,4	1	SA		SR68	2007-000070	R-CHIP;0ohm,5%,1/10W,TP,1608	1	SA	
SQ3	0504-000152	TR-DIGITAL;KSR2101,PNP,200mW,4	1	SA		SR69	2007-000070	R-CHIP;0ohm,5%,1/10W,TP,1608	1	SA	
SQ4	0504-000129	TR-DIGITAL;KSR1104,NPN,200mW,4	1	SA		SR7	2007-001164	R-CHIP;75ohm,1%,1/10W,TP,1608	1	SA	
SQ5	0504-000152	TR-DIGITAL;KSR2101,PNP,200mW,4	1	SA		SR71	2007-000070	R-CHIP;0ohm,5%,1/10W,TP,1608	1	SA	
SQ6	0504-000129	TR-DIGITAL;KSR1104,NPN,200mW,4	1	SA		SR72	2007-000070	R-CHIP;0ohm,5%,1/10W,TP,1608	1	SA	
SQ7	0501-000398	TR-SMALL SIGNAL;KSC945-Y,NPN,2	1	SA		SR74	2007-000075	R-CHIP;220ohm,5%,1/10W,TP,1608	1	SA	
SQ8	0501-000398	TR-SMALL SIGNAL;KSC945-Y,NPN,2	1	SA		SR75	2007-000075	R-CHIP;220ohm,5%,1/10W,TP,1608	1	SA	
SR1	2007-000115	R-CHIP;82ohm,5%,1/10W,TP,1608	1	SA		SR8	2007-000070	R-CHIP;0ohm,5%,1/10W,TP,1608	1	SA	
SR10	2007-000102	R-CHIP;100Kohm,5%,1/10W,TP,160	1	SA		SR9	2007-001164	R-CHIP;75ohm,1%,1/10W,TP,1608	1	SA	
SR12	2001-000969	R-CARBON;75OHM,5%,1/8W,AA,TP,1	1	SA		SZD9	0403-000361	DIODE-ZENER;UZ6.2BSB,5.96-6.27	1	SA	
SR13	2007-000102	R-CHIP;100Kohm,5%,1/10W,TP,160	1	SA		TC1	2203-005148	C-CER,CHIP;100nF,10%,16V,X7R,1	1	SA	
SR14	2007-001164	R-CHIP;75ohm,1%,1/10W,TP,1608	1	SA		TC2	2203-005148	C-CER,CHIP;100nF,10%,16V,X7R,1	1	SA	
SR15	2007-000070	R-CHIP;0ohm,5%,1/10W,TP,1608	1	SA		TC3	2203-005148	C-CER,CHIP;100nF,10%,16V,X7R,1	1	SA	
SR16	2007-000074	R-CHIP;100ohm,5%,1/10W,TP,1608	1	SA		TC6	2203-000998	C-CER,CHIP;0.047nF,5%,50V,COG,	1	SA	
SR17	2007-000070	R-CHIP;0ohm,5%,1/10W,TP,1608	1	SA		TD1	0401-000101	DIODE-SWITCHING;1N4148,75V,150	1	SA	
SR18	2007-000070	R-CHIP;0ohm,5%,1/10W,TP,1608	1	SA		TE1	2401-002300	C-AL;47##F,20%,50V,GP,TP,6.3x1	1	SA	
SR19	2007-001164	R-CHIP;75ohm,1%,1/10W,TP,1608	1	SA		TE2	2401-001479	C-AL;470uF,20%,10V,GP,TP,6.3*1	1	SA	
SR20	2007-001164	R-CHIP;75ohm,1%,1/10W,TP,1608	1	SA		TE3	2401-001479	C-AL;470uF,20%,10V,GP,TP,6.3*1	1	SA	
SR21	2007-000070	R-CHIP;0ohm,5%,1/10W,TP,1608	1	SA		TE4	2401-001077	C-AL;330nF,20%,50V,GP,TP,4x7mm	1	SA	
SR23	2007-000070	R-CHIP;0ohm,5%,1/10W,TP,1608	1	SA		TE5	2401-001479	C-AL;470uF,20%,10V,GP,TP,6.3*1	1	SA	
SR24	2007-001164	R-CHIP;75ohm,1%,1/10W,TP,1608	1	SA		TL1	2007-000033	R-CHIP;0ohm,5%,1/4W,TP,3216	1	SA	
SR25	2007-000134	R-CHIP;33Kohm,5%,1/10W,TP,1608	1	SA		TL3	2701-000002	INDUCTOR-AXIAL;100UH,10%,4298	1	SA	
SR27	2007-000074	R-CHIP;100ohm,5%,1/10W,TP,1608	1	SA		TM1	AK40-00035A	TUNER;DNOS443ZV261A,DVD-SH853,	1	SA	
SR28	2007-001164	R-CHIP;75ohm,1%,1/10W,TP,1608	1	SA		TR2	2007-000070	R-CHIP;0ohm,5%,1/10W,TP,1608	1	SA	
SR3	2007-000084	R-CHIP;4.7Kohm,5%,1/10W,TP,160	1	SA		TR4	2007-000072	R-CHIP;47ohm,5%,1/10W,TP,1608	1	SA	
SR30	2007-000078	R-CHIP;1Kohm,5%,1/10W,TP,1608	1	SA		TR5	2007-000072	R-CHIP;47ohm,5%,1/10W,TP,1608	1	SA	
SR31	2007-001164	R-CHIP;75ohm,1%,1/10W,TP,1608	1	SA		TR6	2007-000070	R-CHIP;0ohm,5%,1/10W,TP,1608	1	SA	
SR32	2007-000094	R-CHIP;22Kohm,5%,1/10W,TP,1608	1	SA		TR7	2007-001167	R-CHIP;75ohm,5%,1/10W,TP,1608	1	SA	
SR34	2203-000236	C-CER,CHIP;0.1nF,5%,50V,COG,16	1	SA		TZD2	0403-000390	DIODE-ZENER;UZP33B,31.4-34.6V,	1	SA	
SR35	2007-000079	R-CHIP;1.8Kohm,5%,1/10W,TP,160	1	SA		W004	6003-000283	SCREW-TAPTITE;BH,+,B,M3,L8,Z	1	SA	
SR36	2203-000236	C-CER,CHIP;0.1nF,5%,50V,COG,16	1	SA		W391	2007-000070	R-CHIP;0ohm,5%,1/10W,TP,1608	1	SA	
SR37	2007-000079	R-CHIP;1.8Kohm,5%,1/10W,TP,160	1	SA		W434	2007-000033	R-CHIP;0ohm,5%,1/4W,TP,3216	1	SA	
SR38	2203-000236	C-CER,CHIP;0.1nF,5%,50V,COG,16	1	SA		<b>P141</b>	<b>AK92-01231A</b>	<b>ASSY PCB-HDMI;DVD-SH855/XEF,HD</b>	<b>1</b>	<b>SA</b>	
SR39	2007-000070	R-CHIP;0ohm,5%,1/10W,TP,1608	1	SA		HDC1	2402-000179	C-AL,SMD;47uF,20%,16V,GP,TP,6.	1	SA	
SR4	2007-001164	R-CHIP;75ohm,1%,1/10W,TP,1608	1	SA		HDC10	2203-005148	C-CER,CHIP;100nF,10%,16V,X7R,1	1	SA	
SR40	2007-001164	R-CHIP;75ohm,1%,1/10W,TP,1608	1	SA		HDC11	2203-005065	C-CER,CHIP;1000nF,+80-20%,10V,	1	SA	
SR41	2001-000969	R-CARBON;75OHM,5%,1/8W,AA,TP,1	1	SA		HDC12	2203-005148	C-CER,CHIP;100nF,10%,16V,X7R,1	1	SA	
SR42	2007-001164	R-CHIP;75ohm,1%,1/10W,TP,1608	1	SA		HDC13	2203-005148	C-CER,CHIP;100nF,10%,16V,X7R,1	1	SA	
SR44	2007-000074	R-CHIP;100ohm,5%,1/10W,TP,1608	1	SA		HDC14	2203-005148	C-CER,CHIP;100nF,10%,16V,X7R,1	1	SA	
SR46	2007-000119	R-CHIP;560ohm,5%,1/10W,TP,1608	1	SA		HDC15	2402-000179	C-AL,SMD;47uF,20%,16V,GP,TP,6.	1	SA	
SR47	2007-000119	R-CHIP;560ohm,5%,1/10W,TP,1608	1	SA		HDC16	2203-005148	C-CER,CHIP;100nF,10%,16V,X7R,1	1	SA	
SR48	2007-000078	R-CHIP;1Kohm,5%,1/10W,TP,1608	1	SA		HDC17	2203-005148	C-CER,CHIP;100nF,10%,16V,X7R,1	1	SA	
SR5	2007-000070	R-CHIP;0ohm,5%,1/10W,TP,1608	1	SA		HDC18	2402-000179	C-AL,SMD;47uF,20%,16V,GP,TP,6.	1	SA	
SR51	2007-000040	R-CHIP;150ohm,1%,1/10W,TP,1608	1	SA		HDC19	2203-005148	C-CER,CHIP;100nF,10%,16V,X7R,1	1	SA	
SR52	2007-000074	R-CHIP;100ohm,5%,1/10W,TP,1608	1	SA		HDC2	2203-005148	C-CER,CHIP;100nF,10%,16V,X7R,1	1	SA	
SR53	2007-000075	R-CHIP;220ohm,5%,1/10W,TP,1608	1	SA		HDC20	2203-005148	C-CER,CHIP;100nF,10%,16V,X7R,1	1	SA	
SR56	2007-000075	R-CHIP;220ohm,5%,1/10W,TP,1608	1	SA		HDC21	2402-000179	C-AL,SMD;47uF,20%,16V,GP,TP,6.	1	SA	
SR59	2001-000429	R-CARBON;1KOHM,5%,1/8W,AA,TP,1	1	SA		HDC22	2203-005148	C-CER,CHIP;100nF,10%,16V,X7R,1	1	SA	
SR6	2007-000119	R-CHIP;560ohm,5%,1/10W,TP,1608	1	SA		HDC23	2203-005148	C-CER,CHIP;100nF,10%,16V,X7R,1	1	SA	
SR60	2007-000075	R-CHIP;220ohm,5%,1/10W,TP,1608	1	SA		HDC24	2402-000179	C-AL,SMD;47uF,20%,16V,GP,TP,6.	1	SA	
SR61	2007-000078	R-CHIP;1Kohm,5%,1/10W,TP,1608	1	SA		HDC25	2203-005148	C-CER,CHIP;100nF,10%,16V,X7R,1	1	SA	
SR62	2007-000078	R-CHIP;1Kohm,5%,1/10W,TP,1608	1	SA		HDC26	2203-005148	C-CER,CHIP;100nF,10%,16V,X7R,1	1	SA	
SR65	2007-000119	R-CHIP;560ohm,5%,1/10W,TP,1608	1	SA							
SR66	2007-000119	R-CHIP;560ohm,5%,1/10W,TP,1608	1	SA							
SR67	2007-000070	R-CHIP;0ohm,5%,1/10W,TP,1608	1	SA							

Loc.No	Part No	Description ; Specification	Q'ty	S.N.A	Remark	Loc.No	Part No	Description ; Specification	Q'ty	S.N.A	Remark
HDC3	2203-005148	C-CER,CHIP;100nF,10%,16V,X7R,1	1	SA		FL674	3809-001969	FFC CABLE-FLAT;30V,80C,170mm,4	1	SA	
HDC4	2203-005148	C-CER,CHIP;100nF,10%,16V,X7R,1	1	SA		FL675	3809-001970	FFC CABLE-FLAT;30V,80C,150mm,4	1	SA	
HDC5	2203-000280	C-CER,CHIP;0.01nF,0.5pF,50V,CO	1	SA		HDD_CO	3710-002234	SOCKET-BOARD TO BOARD;40P,2R,2	1	SA	
HDC6	2203-005148	C-CER,CHIP;100nF,10%,16V,X7R,1	1	SA		VS208	AK39-00086A	LEAD CONNECTOR;SV-R3600,LEAD C	1	SA	
HDC7	2203-005065	C-CER,CHIP;1000nF,+80-20%,10V,	1	SA		W001	6003-000275	SCREW-TAPTITE;BH,+,B,M3,L10,	5	SA	
HDC8	2203-005148	C-CER,CHIP;100nF,10%,16V,X7R,1	1	SA		W001	6003-000275	SCREW-TAPTITE;BH,+,B,M3,L10,	5	SA	
HDC9	2203-005065	C-CER,CHIP;1000nF,+80-20%,10V,	1	SA		W004	6003-000283	SCREW-TAPTITE;BH,+,B,M3,L8,Z	6	SA	
HDCN1	3701-001313	CONNECTOR-HDMI,19P,2R,PLUG,ANG	1	SA		W009	6003-000276	SCREW-TAPTITE;BH,+,B,M3,L10,	6	SA	
HDCN2	3711-005563	HEADER-BOARD TO BOARD;BOX,30P,	1	SA		W200	6003-001375	SCREW-TAPTITE;BH,+,B,M3,L8,Z	2	SA	
HDFB1	2007-000033	R-CHIP;0ohm,5%,1/4W,TP,3216	1	SA		W268	6003-000254	SCREW-TAPTITE;BH,+,S,M3,L6,Z	1	SA	
HDFB2	2007-000033	R-CHIP;0ohm,5%,1/4W,TP,3216	1	SA		W271	6009-001411	SCREW-SPECIAL;TH,+,M5,L14,NI	2	SA	
HDFB3	2007-000033	R-CHIP;0ohm,5%,1/4W,TP,3216	1	SA		W272	6003-001464	SCREW-TAPTITE;BH,+,B,M3,L10,ZP	3	SA	
HDFB4	2007-000033	R-CHIP;0ohm,5%,1/4W,TP,3216	1	SA		W275	6003-001561	SCREW-TAPTITE;BH,+,B,M3,L6,Z	9	SA	
HDFB5	2007-000033	R-CHIP;0ohm,5%,1/4W,TP,3216	1	SA		W307	6001-001868	SCREW-MACHINE;PWH,+,M2.6,L4,	4	SA	
HDFB6	2007-000033	R-CHIP;0ohm,5%,1/4W,TP,3216	1	SA		W336	6001-000742	SCREW-INCH MACH;PH,+,UNC6-32,L	4	SA	
HDFB7	2007-000033	R-CHIP;0ohm,5%,1/4W,TP,3216	1	SA		AK69-00456E	PACKING CASE;DVD-SH855/XEF,PEP	1	SA		
HDFB8	2007-000033	R-CHIP;0ohm,5%,1/4W,TP,3216	1	SA		AK97-01091A	ASSY-BRACKET HDD TOP;SECC T0.8	1	SA		
HDR1	2007-000090	R-CHIP;10Kohm,5%,1/10W,TP,1608	1	SA		AC39-00017A	CABLE-ETC-RF(PAL);,MALE/FEMAL	1	SA		
HDR11	2007-000123	R-CHIP;1.5Kohm,5%,1/10W,TP,160	1	SA		AC39-42001R	CABLE-A/V;PVC,;,3P,;,;	1	SA		
HDR12	2007-000123	R-CHIP;1.5Kohm,5%,1/10W,TP,160	1	SA		AK68-01442A	MANUAL USERS;DVD-SH857/XEC,XEC	1	SA	DVD-SH855/XEC	
HDR14	2007-000078	R-CHIP;1Kohm,5%,1/10W,TP,1608	1	SA		AK68-01443A	MANUAL USERS;DVD-SH857/XEE,XEE	1	SA	DVD-SH855/XEE	
HDR15	2007-000070	R-CHIP;0ohm,5%,1/10W,TP,1608	1	SA		AK68-01440A	MANUAL USERS;DVD-SH857/XEF,XEF	1	SA	DVD-SH855/XEF	
HDR16	2007-000070	R-CHIP;0ohm,5%,1/10W,TP,1608	1	SA							
HDR17	2007-000309	R-CHIP;10ohm,5%,1/10W,TP,1608	1	SA							
HDR18	2007-000309	R-CHIP;10ohm,5%,1/10W,TP,1608	1	SA							
HDR19	2007-000309	R-CHIP;10ohm,5%,1/10W,TP,1608	1	SA							
HDR2	2007-000092	R-CHIP;15Kohm,5%,1/10W,TP,1608	1	SA							
HDR20	2007-000309	R-CHIP;10ohm,5%,1/10W,TP,1608	1	SA							
HDR21	2007-000309	R-CHIP;10ohm,5%,1/10W,TP,1608	1	SA							
HDR22	2007-000309	R-CHIP;10ohm,5%,1/10W,TP,1608	1	SA							
HDR23	2007-000309	R-CHIP;10ohm,5%,1/10W,TP,1608	1	SA							
HDR24	2007-000309	R-CHIP;10ohm,5%,1/10W,TP,1608	1	SA							
HDR26	2007-000070	R-CHIP;0ohm,5%,1/10W,TP,1608	1	SA							
HDR27	2007-000070	R-CHIP;0ohm,5%,1/10W,TP,1608	1	SA							
HDR28	2007-000070	R-CHIP;0ohm,5%,1/10W,TP,1608	1	SA							
HDR29	2007-000070	R-CHIP;0ohm,5%,1/10W,TP,1608	1	SA							
HDR3	2007-000113	R-CHIP;33ohm,5%,1/10W,TP,1608	1	SA							
HDR30	2007-000070	R-CHIP;0ohm,5%,1/10W,TP,1608	1	SA							
HDR4	2007-000074	R-CHIP;100ohm,5%,1/10W,TP,1608	1	SA							
HDR41	2007-000070	R-CHIP;0ohm,5%,1/10W,TP,1608	1	SA							
HDR43	2007-000078	R-CHIP;1Kohm,5%,1/10W,TP,1608	1	SA							
HDR44	2007-000088	R-CHIP;7.5Kohm,5%,1/10W,TP,160	1	SA							
HDR5	2007-000074	R-CHIP;100ohm,5%,1/10W,TP,1608	1	SA							
HDR6	2007-000074	R-CHIP;100ohm,5%,1/10W,TP,1608	1	SA							
HDR7	2007-000570	R-CHIP;220OHM,1%,1/10W,TP,1608	1	SA							
HDR8	2007-000821	R-CHIP;390ohm,1%,1/10W,TP,1608	1	SA							
HDR9	2007-000092	R-CHIP;15Kohm,5%,1/10W,TP,1608	1	SA							
HDRP1	2011-000816	R-NET;100ohm,5%,1/16W,L,CHIP,8	1	SA							
HDRP2	2011-000816	R-NET;100ohm,5%,1/16W,L,CHIP,8	1	SA							
IC1	1204-002643	IC-VIDEO PROCESS;TDA9983,HTQFP	1	SA							
C011	AK61-00519A	SPRING ETC-DOOR;DVD-SR420,STS3	1	SA							
C527	AK59-00065A	HDD;250GB,ST3250820ACE,63/trac	1	SA							
C701	AK73-00028A	RUBBER-HDD;DVD-HR800/XAA,BUTHY	4	SA							
C928	AK63-00197A	GASKET-EMI;DP-R1,EMI sheet,T0.	1	SA							