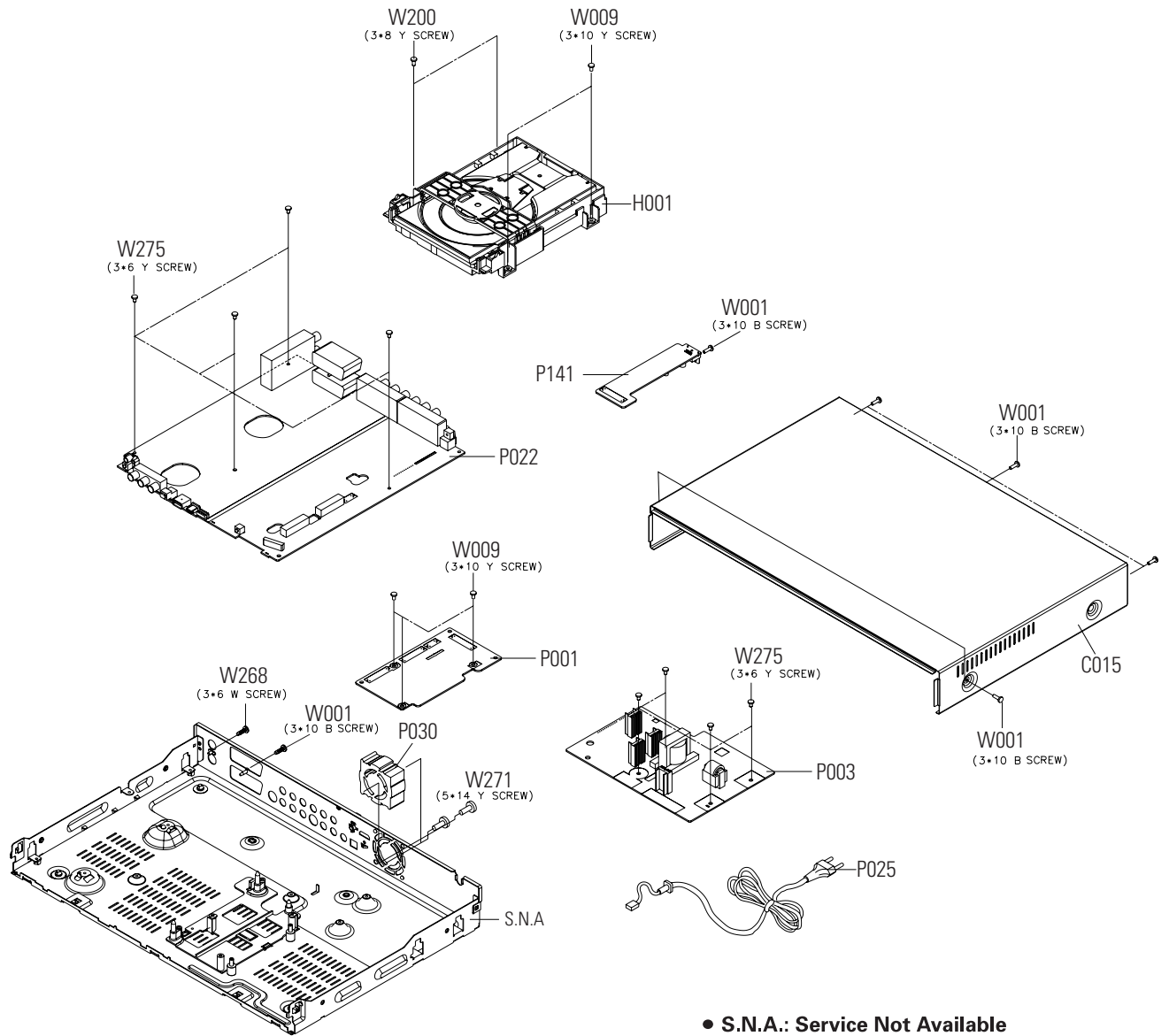
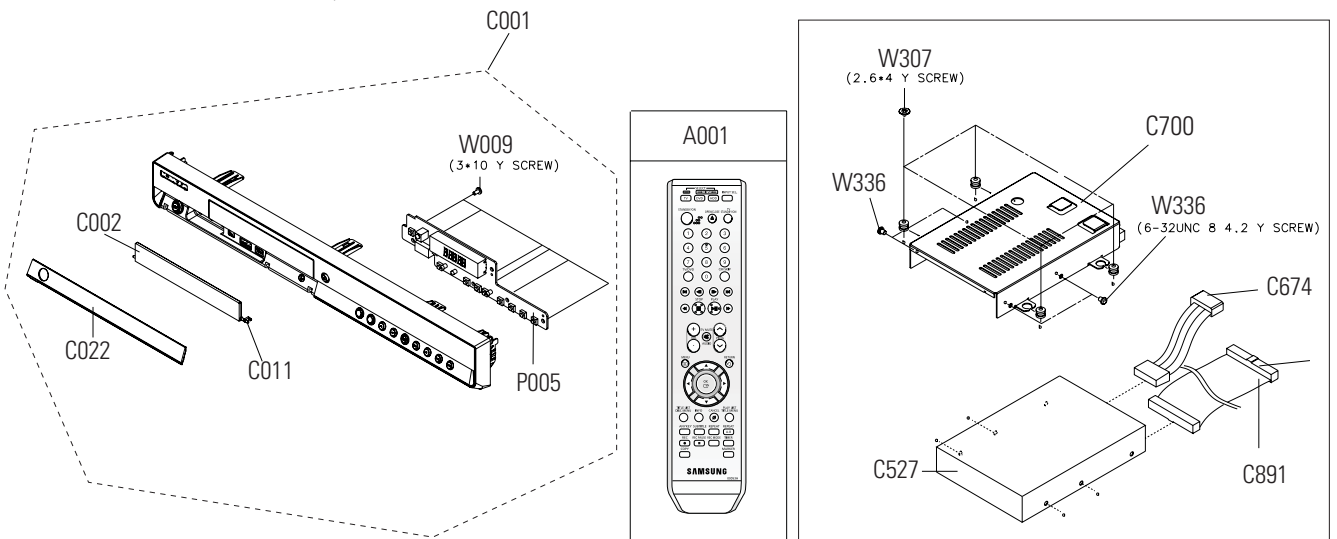

6. Exploded View and Parts List

	Page
6-1 Cabinet Assembly (DVD-HR735) - - - - -	6-2
6-2 Cabinet Assembly (DVD-HR737) - - - - -	6-4

6-1 Cabinet Assembly (DVD-HR735)

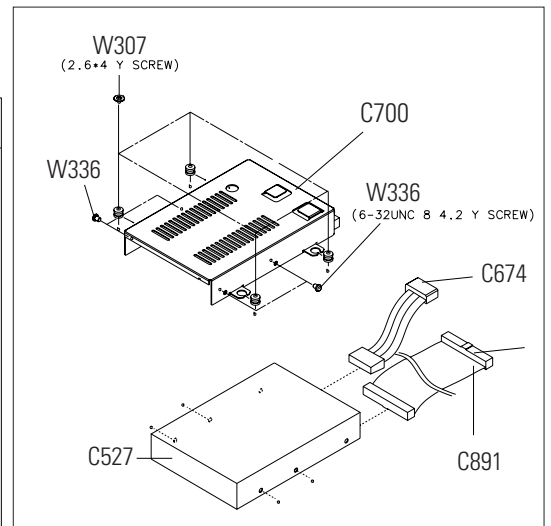
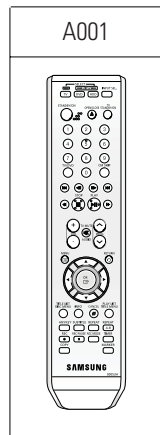
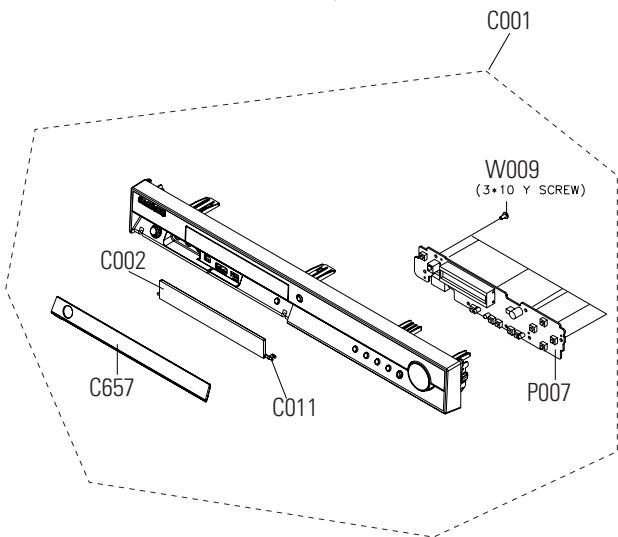
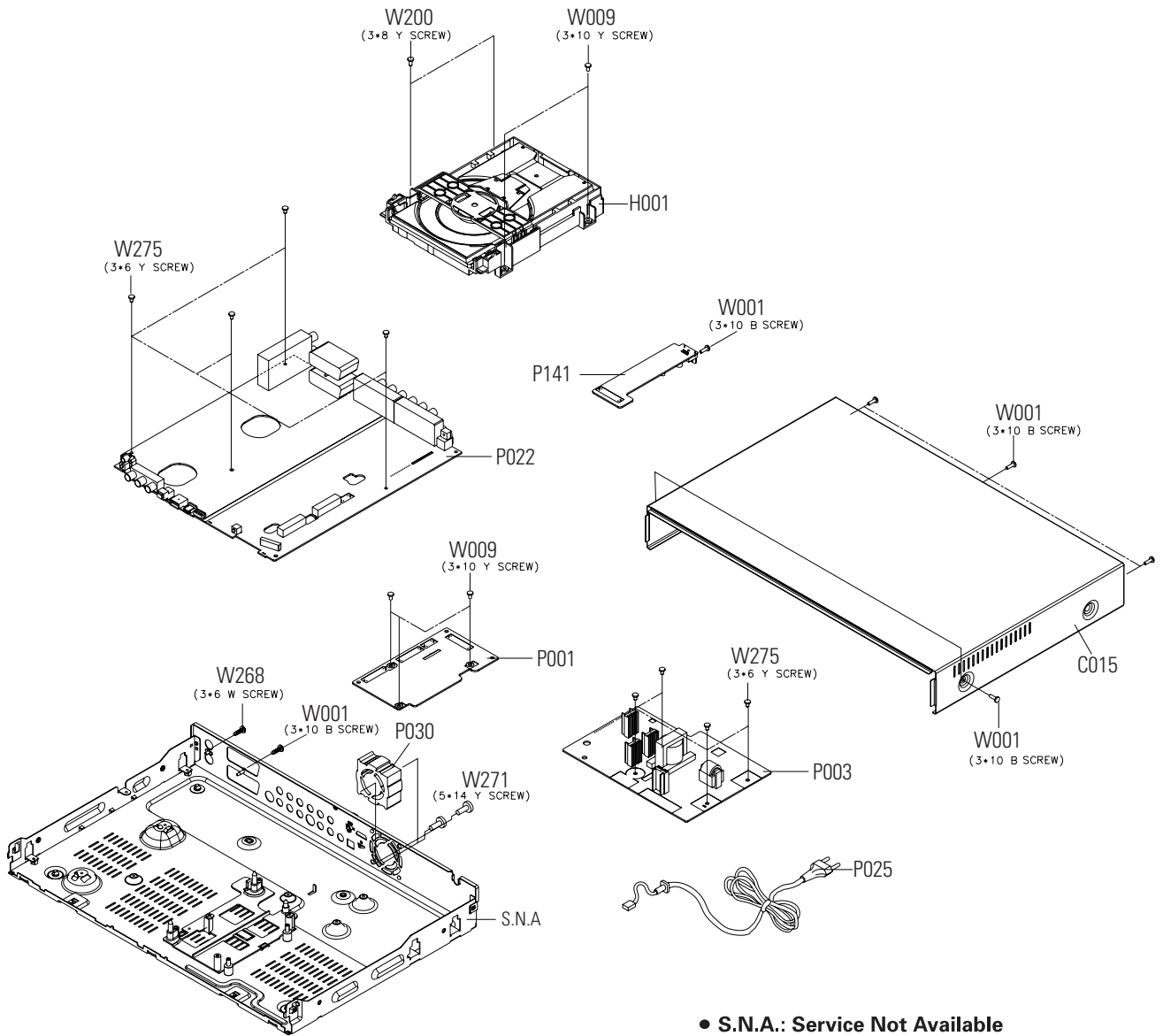


● S.N.A.: Service Not Available



Loc. No	Parts No.	Description ; Specification	Q ty	S.N.A	Remark
A001	AK59-00053H	REMOCON-ASSY;DVD-HR730/XEG,SEC,217.5*48*	1	SA	
C001	AK97-01633A	ASSY-PANEL FRONT;HIPS 94HB,DVD-HR735,06-	1	SA	
C002	AK64-01771A	DOOR-TRAY;DVD-HR735,ABS 94HB,T1,H15,W150	1	SA	
C011	AK64-00344A	SPRING ETC-DOOR;DVD	1	SA	
C015	AK64-01464B	CABINET-TOP;DVD-HR735,PCM,T0.6,W430,L280	1	SA	
C022	AK64-01773B	DOOR-FRONT;DVD-HR734/XEF,ABS 94HB,T2,H40	1	SA	
C527	AC59-00076A	HDD;160G,ST3160212ACE,512Bytes/sec	1	SA	
C674	AK39-00049A	LEAD CONNECTOR;-,-,4,150,WHT,-,SMH200-	1	SA	
C700	AK61-00336A	BRACKET-HDD/COVER;DVD-HR800,SECC US,T0.8	1	SA	
C891	AK39-00085A	CBF HARNESS;RD-XS24,-,-,4P,80mm,YEL/BLKx	1	SA	
H001	AK97-01553A	ASSY-LOADER;-,-SV-R3600,LOADER ASSY	1	SA	
P001	AK92-00975A	ASSY PCB-MAIN;DVD-HR735/XEU,HDD Recorder	1	SA	
P003	AK92-00821A	ASSY PCB-SMPS;DVD-HR730/XEU,DVD Recorder	1	SA	
P005	AK92-00976A	ASSY PCB-FUNCTION;DVD-HR735/XEU,A2 TOOL	1	SA	
P022	AK92-00929A	ASSY PCB-JACK;DVD-HR740/XEU,HDD & DVD Re	1	SA	
P025	AC39-10019A	CBF-POWER CORD;KKP-419C,H03VVH2-F,VDE/KE	1	SA	
P030	3103-001158	FAN-DC;12V,20mA,2000rpm,0.125m^3/mi,7	1	SA	
P141	AK92-01029A	ASSY PCB-HDMI;DVD-HR735/XEU,HDD Recorder	1	SA	
W001	6003-000275	SCREW-TAPTITE;BH,+,-,B,M3,L10,ZPC(BLK),S	7	SA	
W009	6003-000276	SCREW-TAPTITE;BH,+,-,B,M3,L10,ZPC(YEL),S	11	SA	
W200	6003-001375	SCREW-TAPTITE;BH,+,-,B,M3,L8,ZPC(YEL),SWRC	2	SA	
W268	6003-000254	SCREW-TAPTITE;BH,+,-,S,M3,L6,ZPC(WHT),SW	1	SA	
W271	6009-001411	SCREW-SPECIAL;TH,+,-,M5,L14,NI PLT,SWRCH	2	SA	
W275	6003-001561	SCREW-TAPTITE;BH,+,-,B,M3,L6,ZPC(YEL),SW	8	SA	
W307	6001-001868	SCREW-MACHINE;PWH,+,-,M2.6,L4,ZPC(YEL),S	4	SA	
W336	6001-000742	SCREW-INCH MACH;PH,+,-,UNC6-32,L4.2,ZPC(WH	4	SA	

6-2 Cabinet Assembly (DVD-HR737)



Loc. No	Parts No.	Description ; Specification	Q ty	S.N.A	Remark
A001	AK59-00053H	REMOCON-ASSY;DVD-HR730/XEG,SEC,217.5*48*	1	SA	
C001	AK97-01564C	ASSY-CABINET FRONT;HIPS 94HB,DVD-HR737,0	1	SA	
C002	AK64-01686A	DOOR-TRAY;DVD-HR745,ABS 94HB,T2,H15,W150	1	SA	
C011	AK64-00334A	DOOR-SPRING;DVD-V3500,SWPB,,,,,-,,	1	SA	
C015	AK97-01689B	ASSY-CABINET TOP;SECC T0.8,DVD-HR730,-	1	SA	
C527	AC59-00076A	HDD;160G,ST3160212ACE,512Bytes/sec	1	SA	
C657	AK64-01685D	DOOR-JACK;DVD-HR740,XEF,ABS 94HB,T2,H20,	1	SA	
C674	AK39-00049A	LEAD CONNECTOR;-,-,-,4,150,WHT,-,SMH200-	1	SA	
C700	AK61-00336A	BRACKET-HDD/COVER;DVD-HR800,SECC US,T0.8	1	SA	
C891	AK39-00085A	CBF HARNESS;RD-XS24,-,-,4P,80mm,YEL/BLKx	1	SA	
H001	AK97-01553A	ASSY-LOADER;-,-,SV-R3600,LOADER ASSY	1	SA	
P001	AK92-00975A	ASSY PCB-MAIN;DVD-HR735/XEU,HDD Recorder	1	SA	
P003	AK92-00821A	ASSY PCB-SMPS;DVD-HR730/XEU,DVD Recorder	1	SA	
P007	AK92-00887A	ASSY PCB-KEY;SV-HR7600,KEY ASSY	1	SA	
P022	AK92-00929A	ASSY PCB-JACK;DVD-HR740/XEU,HDD & DVD Re	1	SA	DVD-HR737/XEU,XEC, XEH,XEE,XET,XEG
	AK92-00929B	ASSY PCB-JACK;DVD-HR740/XEF,HDD &	1	SA	DVD-HR737/XEF
P025	AC39-10019A	CBF-POWER CORD;KKP-419C,H03VVH2-F,VDE/KE	1	SA	DVD-HR737/XEG,XEC, XEH,XEE,XET,XEF
	AC39-12022K	CBF-POWER CORD;AT,,GP2,HOUING(2P),	1	SA	DVD-HR737/XEU
P030	3103-001158	FAN-DC;12V,20mA,2000rpm,0.125m^3/mi,7	1	SA	
P141	AK92-01029A	ASSY PCB-HDMI;DVD-HR735/XEU,HDD Recorder	1	SA	
W001	6003-000275	SCREW-TAPTITE;BH,+,-,B,M3,L10,ZPC(BLK),S	7	SA	
W009	6003-000276	SCREW-TAPTITE;BH,+,-,B,M3,L10,ZPC(YEL),S	12	SA	
W200	6003-001375	SCREW-TAPTITE;BH,+,-,B,M3,L8,ZPC(YEL),SWRC	2	SA	
W268	6003-000254	SCREW-TAPTITE;BH,+,-,S,M3,L6,ZPC(WHT),SW	1	SA	
W271	6009-001411	SCREW-SPECIAL;TH,+,-,M5,L14,NI PLT,SWRCH	2	SA	
W275	6003-001561	SCREW-TAPTITE;BH,+,-,B,M3,L6,ZPC(YEL),SW	8	SA	
W307	6001-001868	SCREW-MACHINE;PWH,+,-,M2.6,L4,ZPC(YEL),S	4	SA	
W336	6001-000742	SCREW-INCH MACH;PH,+,-,UNC6-32,L4.2,ZPC(WH	4	SA	

MEMO