

SECTION 5 EXPLODED VIEWS

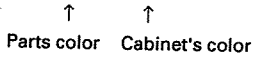
NOTE:

- -XX, -X mean standardized parts, so they may have some differences from the original one.

• Color Indication of Appearance Parts

Example:

KNOB, BALANCE (WHITE)... (RED)



- Items marked "*" are not stocked since they are seldom required for routine service. Some delay should be anticipated when ordering these items.

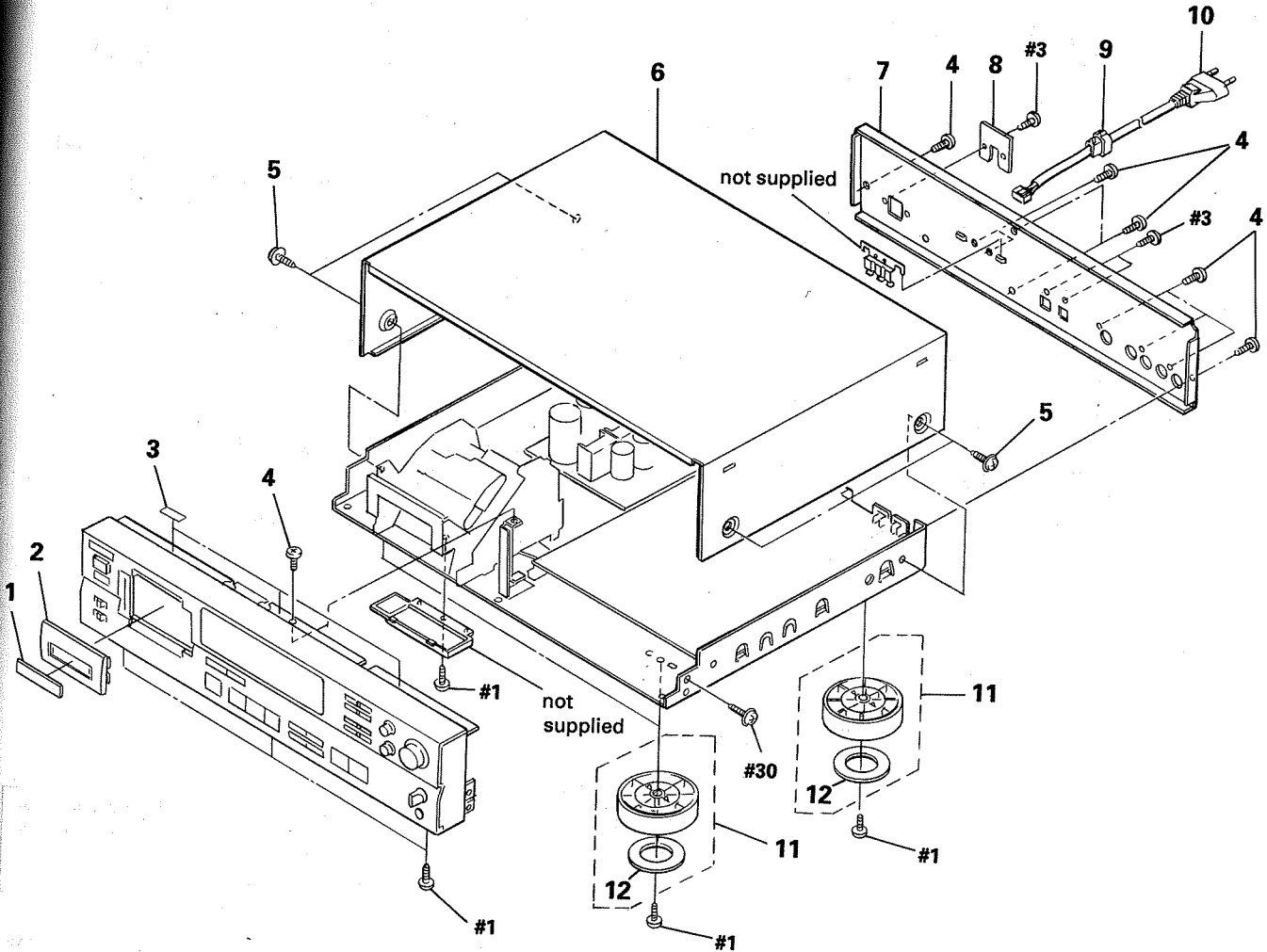
- The mechanical parts with no reference number in the exploded views are not supplied.

- Hardware (# mark) list is given in the last of this parts list.

- G : Germany model

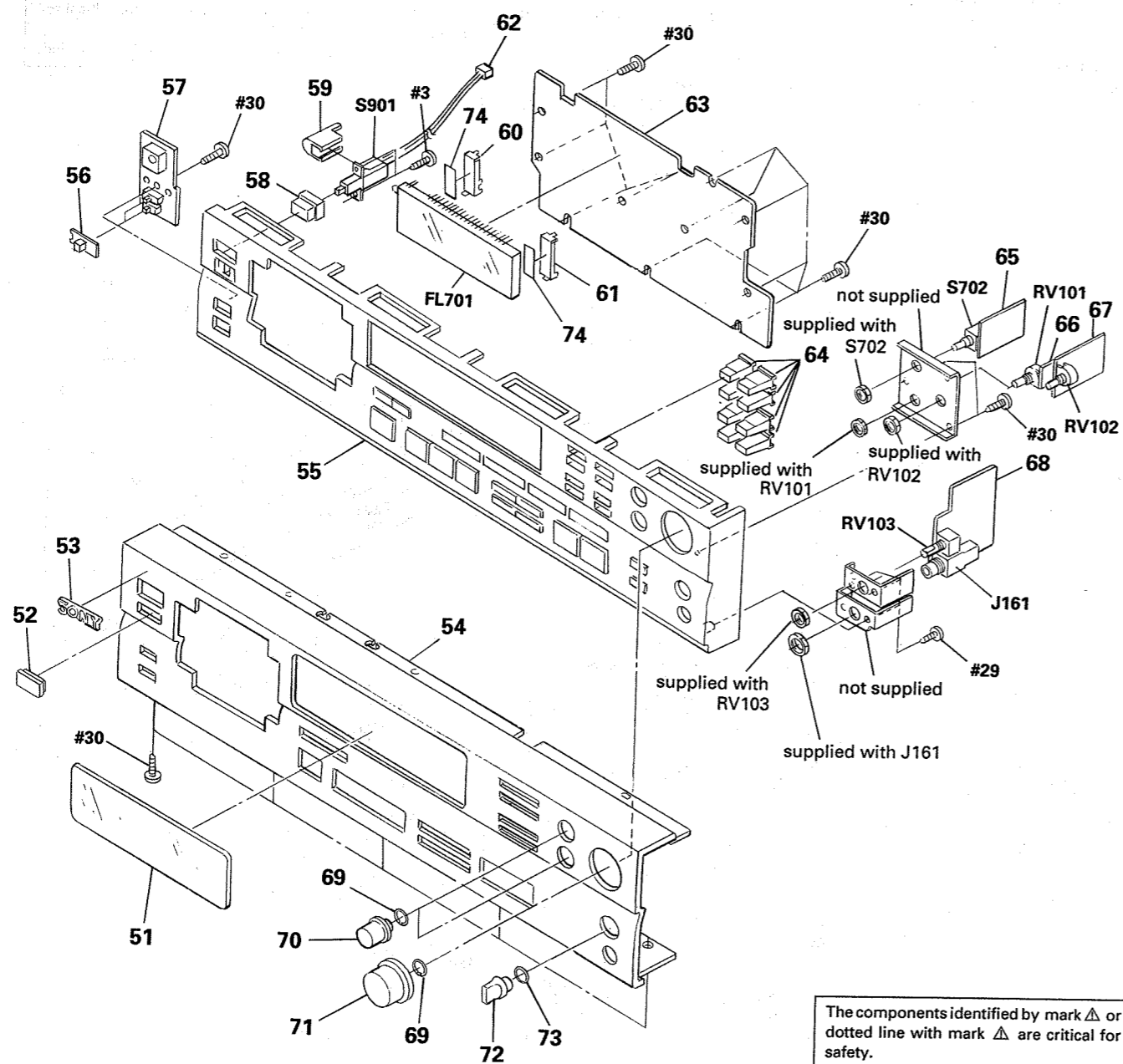
The components identified by mark Δ or dotted line with mark Δ are critical for safety. Replace only with part number specified.

5-1. CABINET SECTION



Ref. No.	Part No.	Description	Remarks	Ref. No.	Part No.	Description	Remarks
1	3-374-275-01	WINDOW (670)		7	* 3-368-712-81	PANEL, BACK	
2	3-374-279-01	HOLDER (670)		8	* 4-923-873-01	BRACKET, CORD STOPPER	
3	3-831-441-XX	CUSHION, SPEAKER		9	* 3-703-244-00	BUSHING (2104), CORD	
4	3-703-685-21	SCREW (+BV 3X8)		10	Δ 1-575-912-11	CORD, POWER	
5	3-363-099-01	SCREW (CASE +3X8 TP2)		11	X-3304-938-2	FOOT ASSY	
6	3-350-407-41	CASE		12	4-923-836-11	CUSHION	

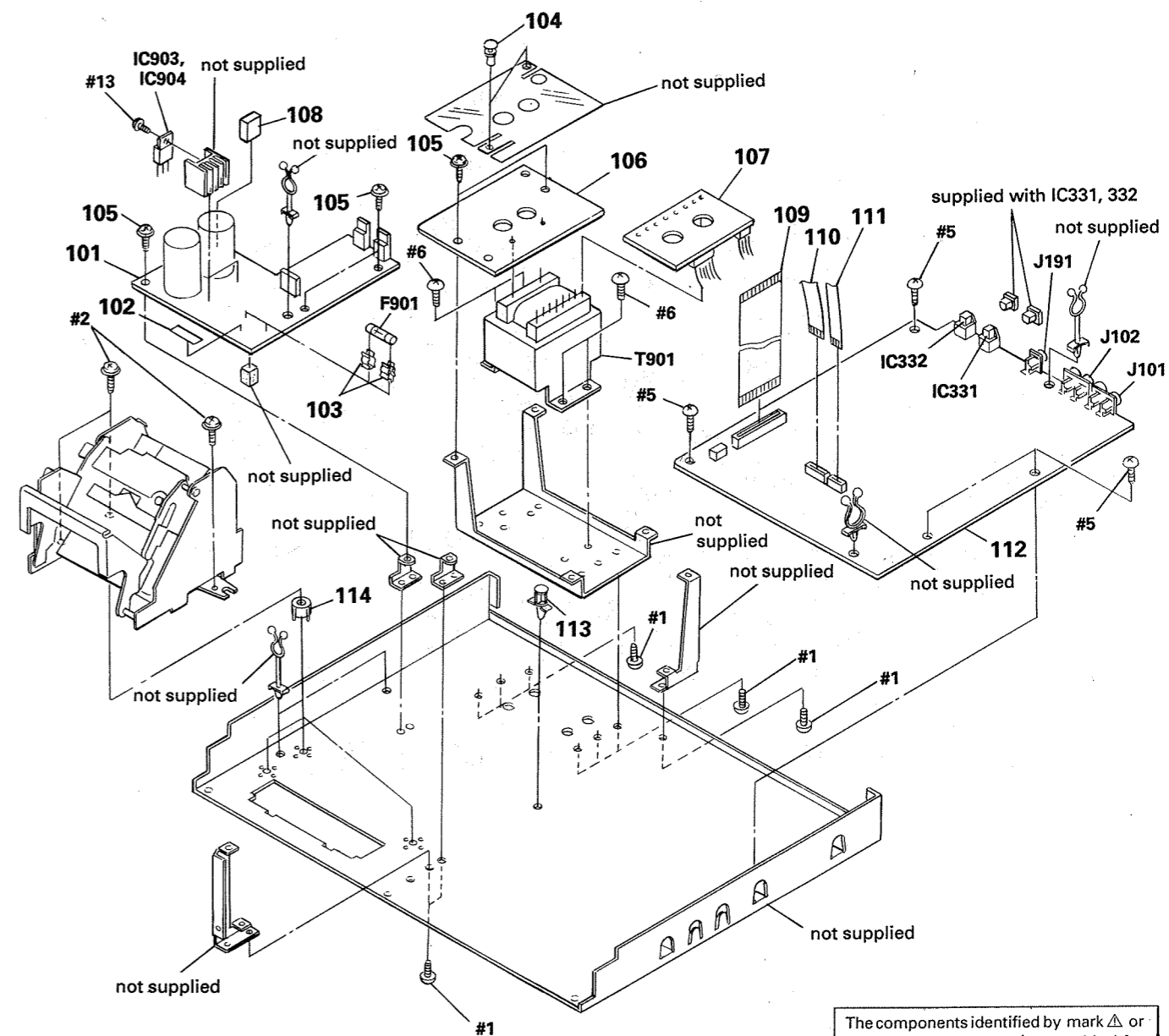
5-2. FRONT PANEL SECTION



The components identified by mark Δ or dotted line with mark Δ are critical for safety. Replace only with part number specified.

Ref. No.	Part No.	Description	Remarks	Ref. No.	Part No.	Description	Remarks
51	3-368-698-01	WINDOW (FL TUBE)		64	3-364-927-01	BUTTON (10 KEY)	
52	3-364-919-11	FILTER		65	* 1-639-328-11	INPUT SW BOARD	
53	4-908-848-01	EMBLEM, SONY		66	* 1-639-326-11	BALANCE VOL BOARD	
54	3-374-281-01	PANEL (FRONT)		67	* 1-639-325-11	REC VOL BOARD	
55	X-3363-905-2	ESCUTCHEON (PANEL) ASSY		68	* 1-639-327-11	HEADPHONE BOARD	
56	4-931-421-11	KNOB (T & S)		69	3-356-957-01	SPRING	
57	* 1-639-329-11	TIMER SW BOARD		70	3-364-173-11	KNOB (BAL)	
58	4-917-460-01	KNOB, POWER		71	3-368-707-01	KNOB (REC LEVEL)	
59	3-575-524-00	COVER, POWER SWITCH		72	3-354-931-01	KNOB (DIA. 10)	
60	* 4-922-524-01	HOLDER (LEFT)		73	3-354-981-01	SPRING (SUS), RING	
61	* 4-922-523-01	HOLDER (RIGHT)		74	9-911-839-XX	CUSHION	
62	1-590-321-71	LEAD (WITH CONNECTOR)		FL701	1-519-672-11	INDICATOR TUBE, FLUORESCENT	
63	* A-2006-669-A	CONTROL SW BOARD, COMPLETE		S901	Δ 1-554-920-21	SWITCH, PUSH (AC POWER) (1 KEY) (POWER)	

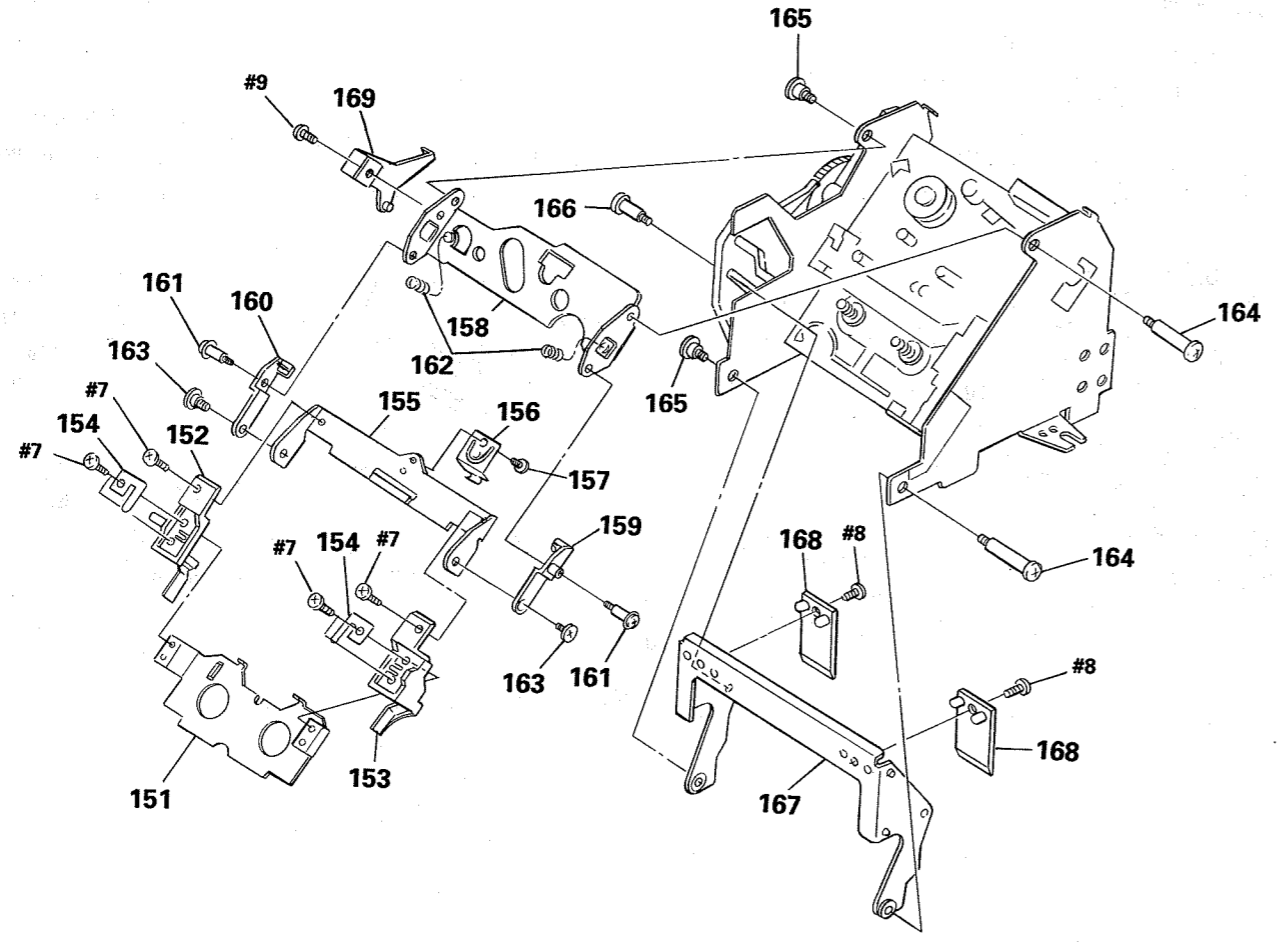
5-3. CHASSIS SECTION



The components identified by mark Δ or dotted line with mark Δ are critical for safety. Replace only with part number specified.

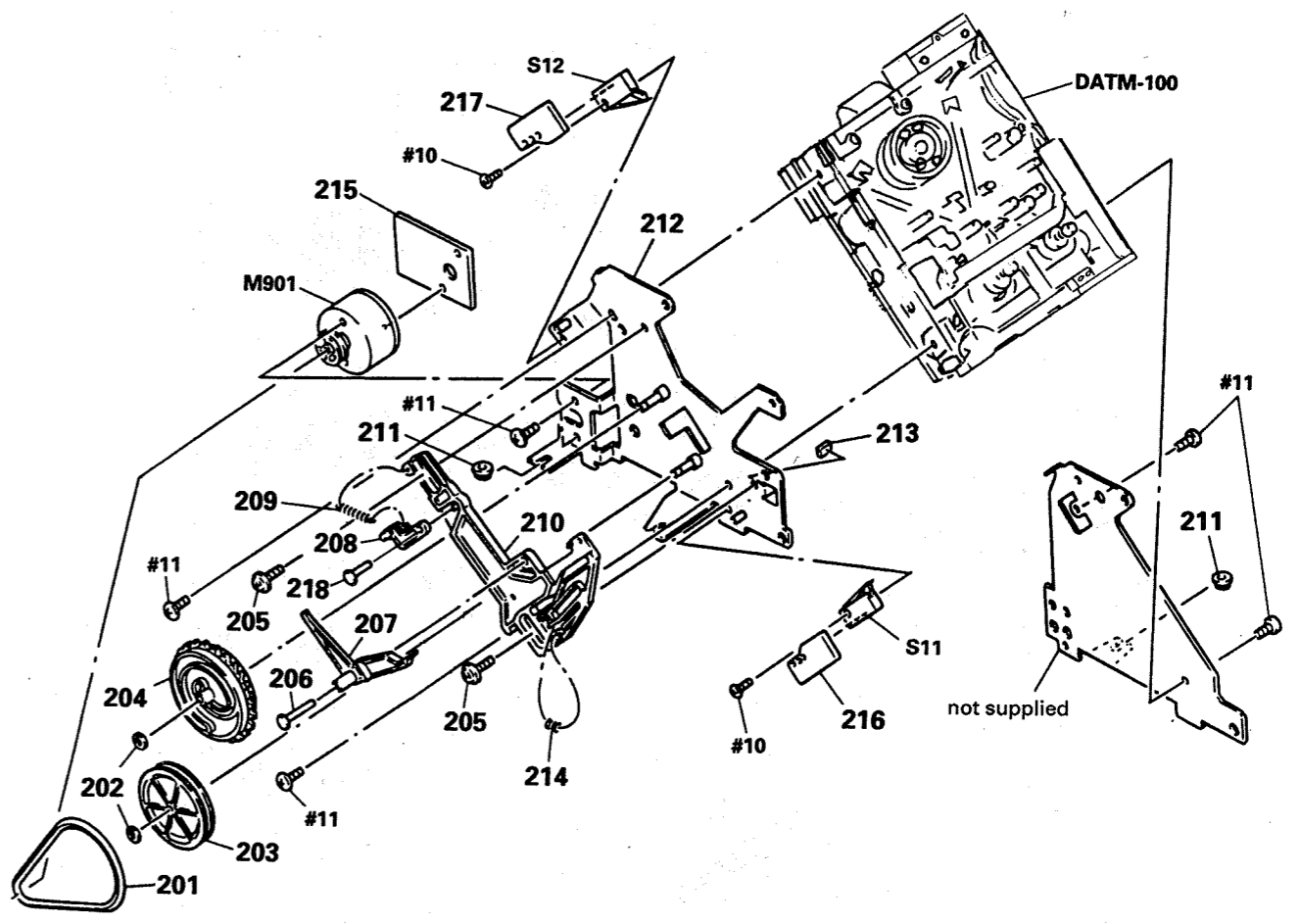
Ref. No.	Part No.	Description	Remarks	Ref. No.	Part No.	Description	Remarks
101	* A-2006-670-A	POWER BOARD, COMPLETE		109	1-590-915-11	WIRE, FLAT TYPE (30 CORE)	
102	3-701-947-15	LABEL (T2.5A), FUSE		110	1-590-916-11	WIRE, FLAT TYPE (10 CORE)	
103	Δ 1-533-213-31	HOLDER, FUSE		111	1-590-914-11	WIRE, FLAT TYPE (6 CORE)	
104	4-812-134-00	RIVET NYLON, 3.5		112	* A-2006-671-A	MAIN BOARD, COMPLETE	
105	4-886-821-11	SCREW, S TIGHT, +PTTWH 3X6		113	* 3-670-570-00	SPACER, SUPPORT	
106	* 1-639-333-11	PRIMARY BOARD		114	3-368-709-01	HOLDER (MD)	
107	* 1-639-332-11	RELAY BOARD		F901	Δ 1-532-286-00	FUSE, TIME-LAG (T 2.5A)	
108	* 3-685-232-01	SPACER, VI		T901	Δ 1-450-557-11	TRANSFORMER, POWER	

5-4. MECHANISM SECTION 1



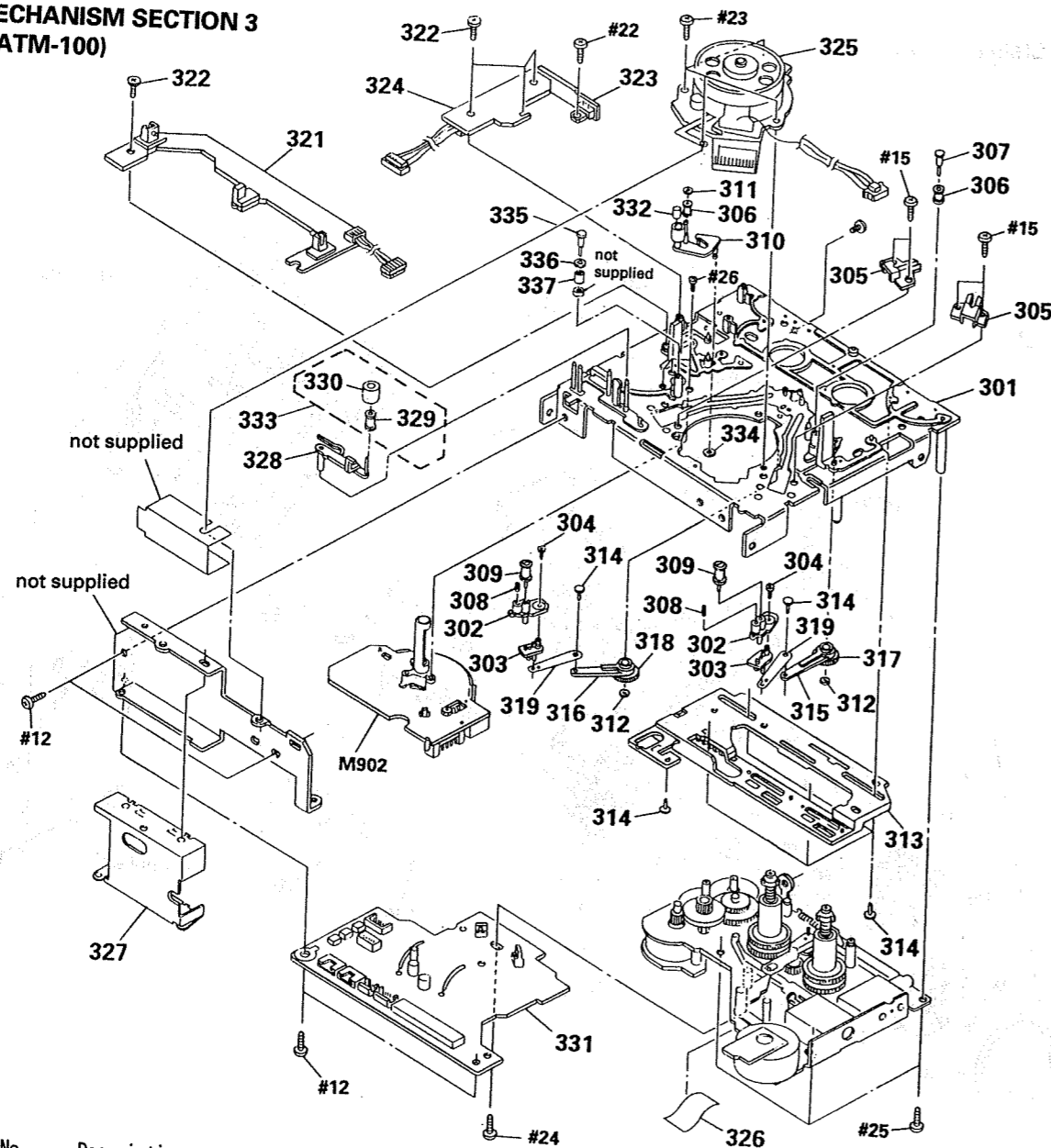
Ref. No.	Part No.	Description	Remarks	Ref. No.	Part No.	Description	Remarks
151	4-931-476-01	HOLDER (LOWER)		161	4-918-991-01	SCREW, STEP	
152	4-931-484-01	HOLDER (C-LEFT)		162	3-537-214-00	SPRING, COMPRESSION	
153	4-931-486-01	HOLDER (C-RIGHT)		163	3-312-161-00	SCREW, STEP, PRECISION	
154	3-366-308-01	SPRING (SIDE), PLATE		164	4-931-463-01	SCREW (STEP)	
155	* 4-931-485-01	HOLDER (C-INNER)		165	2-236-956-00	SCREW, STEP	
156	4-931-461-01	SPRING (CENTER), LEAF		166	4-931-471-01	SCREW (STEP)	
157	3-352-517-01	SCREW (M2X2.5)		167	4-931-474-01	HOLDER (WINDOW)	
158	* 3-369-235-01	PLATE, FULCRUM		168	4-931-469-01	PLATE, ORNAMENTAL	
159	4-931-481-01	ARM (LIMITER L)		169	* X-4919-020-1	JOINT ASSY	
160	4-931-473-01	ARM (LIMITER R)					

5-5. MECHANISM SECTION 2



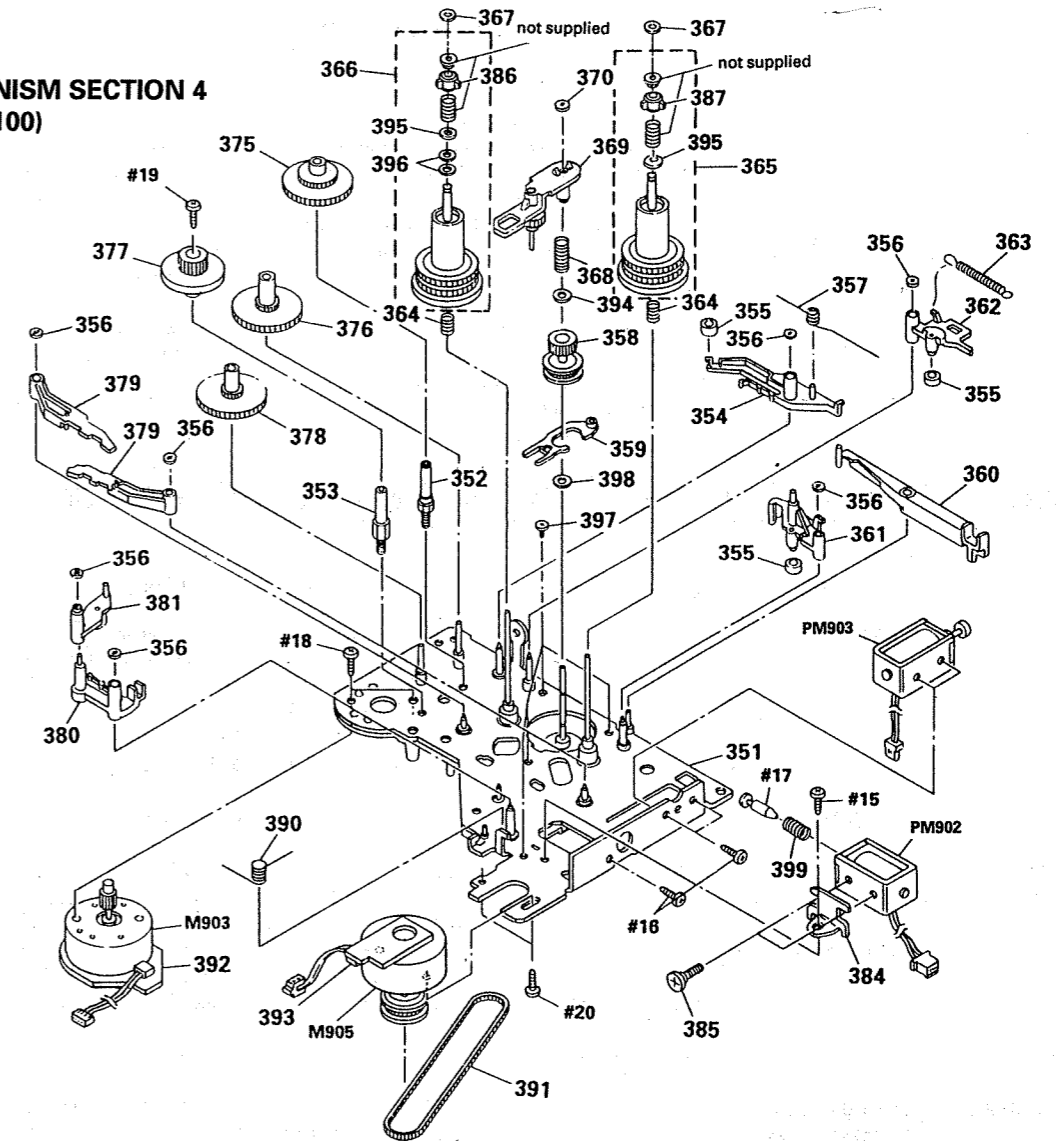
Ref. No.	Part No.	Description	Remarks	Ref. No.	Part No.	Description	Remarks
201	4-931-470-01	BELT (DRIVING)		212	* X-4919-023-1	PLATE ASSY, SIDE	
202	3-307-948-21	WASHER, NYLON		213	9-911-863-XX	SPACER	
203	4-931-459-01	PULLEY		214	3-537-215-00	SPRING, COMPRESSION	
204	4-931-477-01	GEAR (CAM)		215	* 1-639-646-11	MOTOR BOARD	
205	4-932-336-01	SCREW (STEP)		216	* 1-639-647-11	SW (IN) BOARD	
206	4-931-468-01	SHAFT (PRESS FITTING)		217	* 1-639-648-11	SW (OUT) BOARD	
207	4-931-490-01	LEVER (LINK)		218	4-936-626-01	SHAFT (ARM PRESS FITTING)	
208	4-931-460-01	ARM (SLIDER)		S11	1-570-975-11	SWITCH, SLIDE (CASSETTE TABLE IN)	
209	3-549-810-00	SPRING, TENSION		S12	1-572-247-11	SWITCH, SLIDE (CASSETTE TABLE OUT)	
210	4-931-492-01	SLIDER (CAM)		M901	A-2003-448-A	MOTOR ASSY (CASSETTE COMPARTMENT)	

5-6. MECHANISM SECTION 3
(DATM-100)



Ref. No.	Part No.	Description	Remarks	Ref. No.	Part No.	Description	Remarks
301	* 3-368-462-01	CHASSIS (OUTSERT), MECHANICAL		319	3-368-415-01	SHAFT (LOAD LEVER JOINT)	
302	* 3-368-390-01	BASE (#1 GUIDE)		321	* 1-639-305-11	TOP END SENSOR BOARD	
303	3-368-409-01	JOINT (#1 GUIDE)		323	* 1-639-301-11	RGN SW BOARD	
304	3-368-413-01	SCREW, +P (1) B1.4X2.5		324	* 1-639-306-11	CAM SLIDER BOARD	
305	* 3-368-442-01	CATCHER		325	8-848-567-11	DRUM ASSY DOU-03A	
306	3-368-399-01	GUIDE, ROLLER		326	9-911-835-XX	SPACER	
307	3-368-428-01	SHAFT (ROLLER GUIDE)		327	* A-2001-587-A	RF COMPLETE ASSY	
308	3-368-436-01	SPRING (#1 GUIDE), COMPRESSION		328	3-368-459-01	LEVER (CLEANER)	
309	X-3337-643-1	GUIDE (RIC) ASSY, ROLLER		329	3-353-812-01	COLLAR (ROLLER)	
310	X-3363-025-1	PINCH (LEVER) ASSY		330	3-352-518-01	ROLLER (CLEANER)	
311	3-315-384-31	WASHER, STOPPER		331	* A-2056-488-A	DRUM DRIVE BOARD, COMPLETE	
312	3-368-398-01	BUSHING		332	3-337-626-01	CAP, PINCH ROLLER	
313	* A-2003-708-A	SLIDER ASSY, CAM		333	X-3337-655-1	ROLLER (CLEANER) ASSY	
314	3-372-761-01	SCREW (M1.7X4), TAPPING		334	3-321-813-01	WASHER	
315	3-368-427-01	LEVER (LOAD-T)		335	3-375-209-01	SHAFT (FIXED GUIDE)	
316	3-368-426-01	LEVER (LOAD-S)		336	3-337-677-01	FLANGE	
317	3-368-444-01	GEAR (LOAD-T)		337	3-337-676-01	GUIDE, FIXED	
318	3-368-443-01	GEAR (LOAD-S)		M902	8-835-361-01	MOTOR, DC U-17B (CAPSTAN)	

5-7. MECHANISM SECTION 4
(DATM-100)



Ref. No.	Part No.	Description	Remarks	Ref. No.	Part No.	Description	Remarks
351	* A-2003-857-A	CHASSIS (REEL) ASSY		378	3-368-402-01	GEAR (CAM DRIVE A, B)	
352	* 3-368-420-01	SHAFT (CAM DRIVE GEAR C)		379	X-3363-024-1	LEVER (BT) ASSY	
353	* 3-368-419-01	SHAFT (CAM DRIVE GEAR D)		380	* 3-368-451-01	LEVER (BT SOLENOID)	
354	* 3-368-455-01	LEVER (GEAR LOCK)		381	* 3-368-454-01	LEVER (BT SELECTION)	
355	3-368-418-01	TUBE (BREAK)		384	* 3-368-416-01	BRACKET (B. T SOLENOID)	
356	3-368-398-01	BUSHING		385	3-368-423-01	SCREW (M2.6), STEP	
357	3-368-430-01	SPRING (GEAR LOCK)		386	2-623-736-01	CLAW (C) (LEFT), REEL	
358	X-3363-022-1	GEAR (REEL DRIVE) ASSY		387	2-623-752-01	CLAW (C) (RIGHT), REEL	
359	* 3-368-411-01	SLIDER (REEL LOCK)		390	3-368-431-01	SPRING (B. T SOLENOID)	
360	* 3-368-453-01	LEVER (BRAKE SOLENOID)		391	3-368-417-01	BELT (170TN10-1.0T), TIMING	
361	* 3-368-447-01	LEVER (BRAKE S)		392	* 1-639-303-11	CAM MOTOR BOARD	
362	* 3-368-446-01	LEVER (BRAKE T)		393	* 1-639-304-11	REEL MOTOR BOARD	
363	3-368-438-01	SPRING (BREAK), TENSION		394	3-738-212-21	RETAINER, THRUST, REEL TABLE	
364	3-368-432-01	SPRING (FF/REW), COMPRESSION		395	3-701-443-11	WASHER	
365	A-2003-709-C	TABLE (S) ASSY, REEL		396	3-701-443-21	WASHER, 5 DIA.	
366	A-2003-710-B	TABLE (T) ASSY, REEL		397	2-623-756-01	SCREW, (B1.7X3), TAPPING	
367	3-578-224-00	WASHER		398	3-701-436-01	WASHER, 1.6	
368	3-368-435-01	SPRING (FR LEVER), COMPRESSION		399	3-370-480-01	SPRING (BT), COMPRESSION	
369	X-3364-581-1	LEVER (F/R) ASSY		M903	X-3363-109-1	MOTOR ASSY (CAM)	
370	3-315-384-31	WASHER, STOPPER		M905	X-3363-110-1	MOTOR ASSY (REEL)	
375	3-368-421-01	GEAR (CAM DRIVE C)		PM902	1-454-536-11	SOLENOID, PLUNGER (BT CONTROL)	
376	3-373-039-01	GEAR (CAM DRIVE B)		PM903	1-454-535-11	SOLENOID, PLUNGER (BRAKE)	
377	3-368-403-01	GEAR (CAM DRIVE D)					