

## SECTION 5 EXPLODED VIEWS

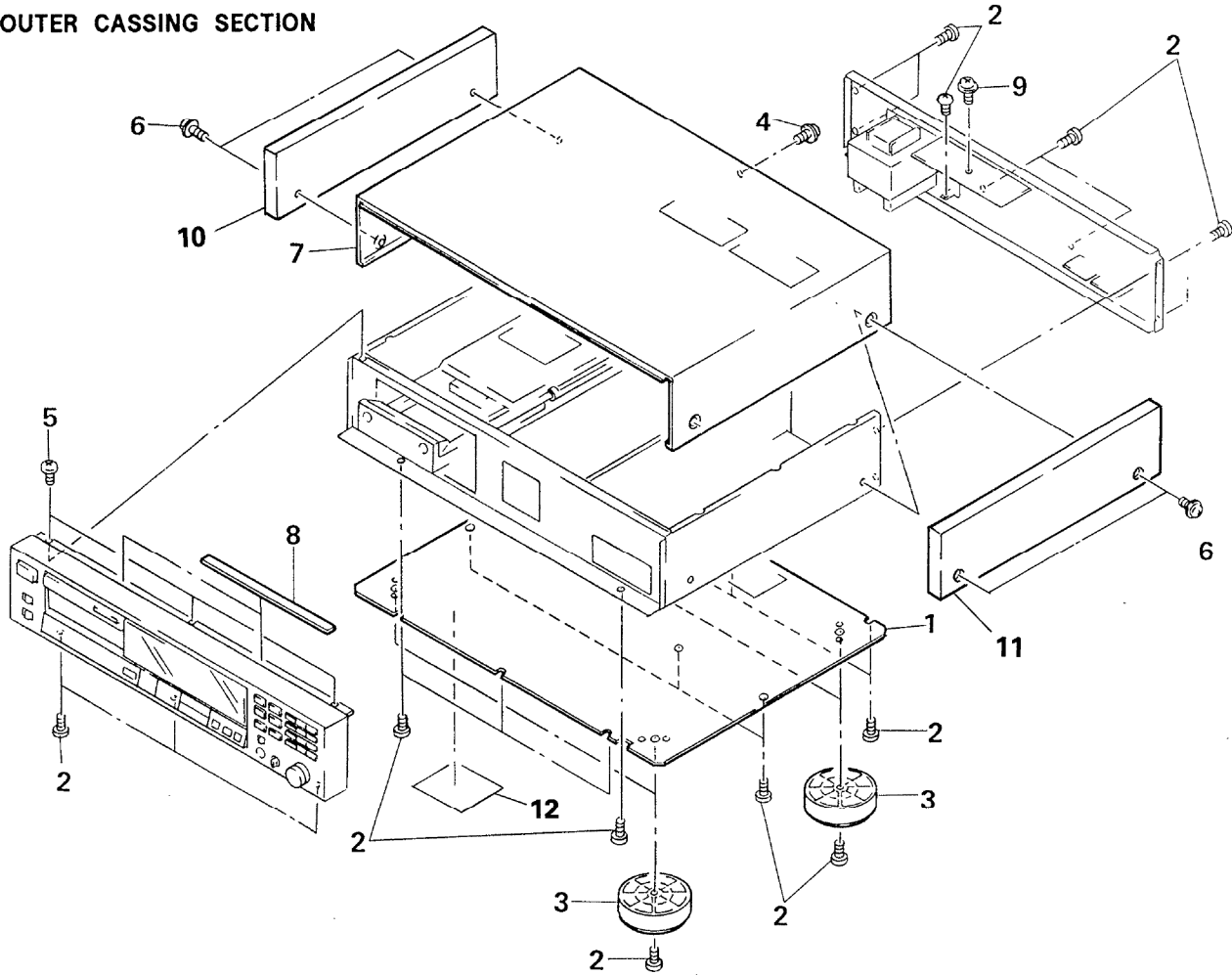
**NOTE:**

- The mechanical parts with no reference number in the exploded views are not supplied.
- The construction parts of an assembled part are indicated with a collation number in the remark column.
- Items marked "★" are not stocked since they are seldom required for routine service. Some delay should be anticipated when ordering these items.

- Due to standardization, parts with part number suffix -XX and -X may be different from the parts specified in the components used on the set.
- Color Indication of Appearance Parts  
Example:  
(RED) ... KNOB, BALANCE (WHITE)  
↑ Cabinet's Color                      ↑ Parts Color

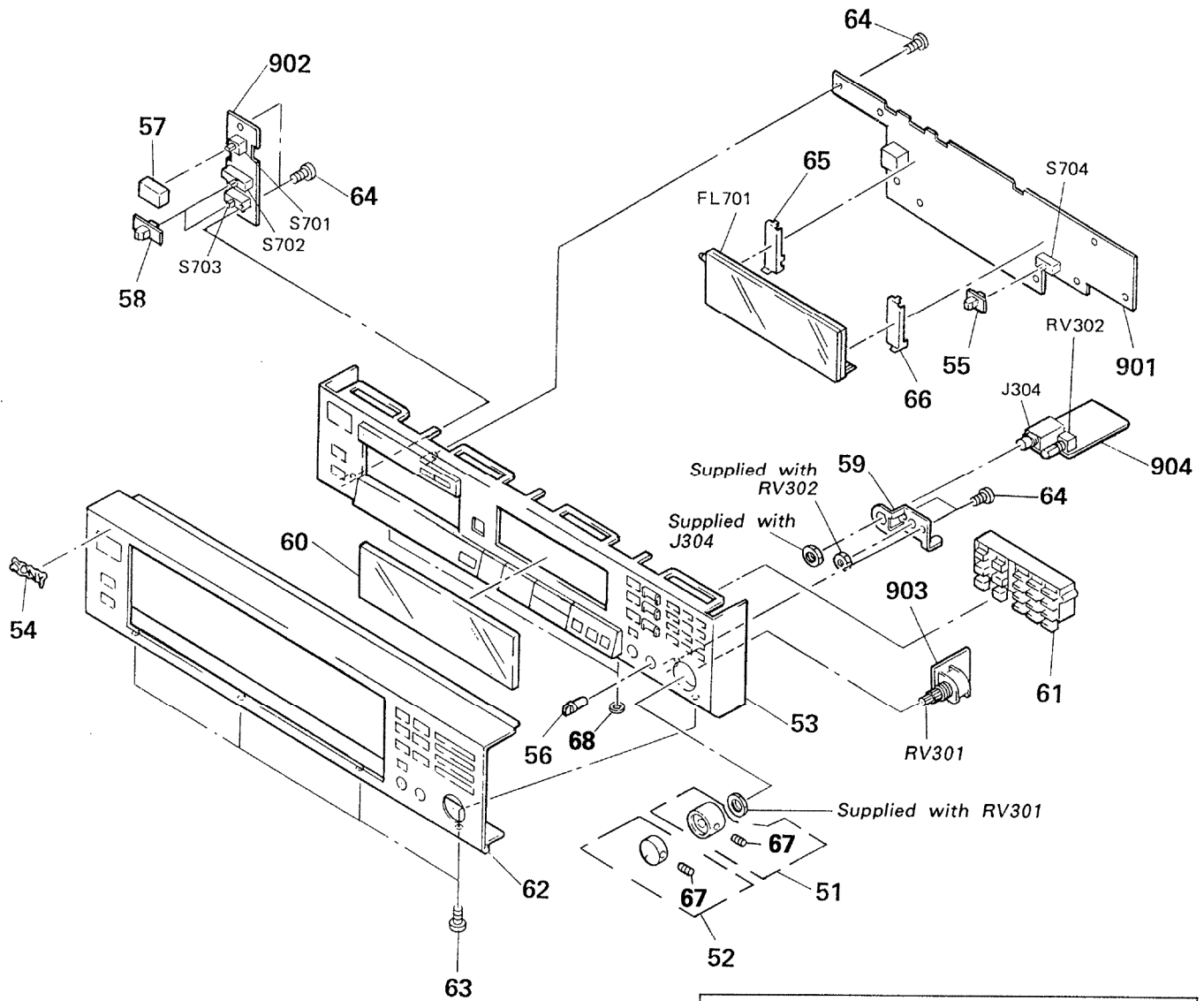
The components identified by mark or dotted line with mark are critical for safety. Replace only with part number specified.

**5-1. OUTER CASSING SECTION**



No.	Part No.	Description	Remarks	No.	Part No.	Description	Remarks
1	*4-931-433-11	PLATE, BOTTOM		7	4-925-721-21	CASE	
2	7-685-872-09	SCREW +BVTT 3X8 (S)		8	*4-925-690-01	CUSHION (F)	
3	X-3304-938-2	FOOT ASSY		9	4-886-821-11	SCREW, S TIGHT, +PTWH 3X6	
4	3-704-366-01	SCREW (CASE) (M3X8)		10	X-4919-018-1	BOARD (LEFT) ASSY, SIDE	
5	7-682-547-09	SCREW +B 3X6		11	X-4919-017-1	BOARD (RIGHT) ASSY, SIDE	
6	4-919-060-01	SCREW (M4X20), RING (+)		12	*4-931-441-01	SHEET, VIBRATION PROOF	

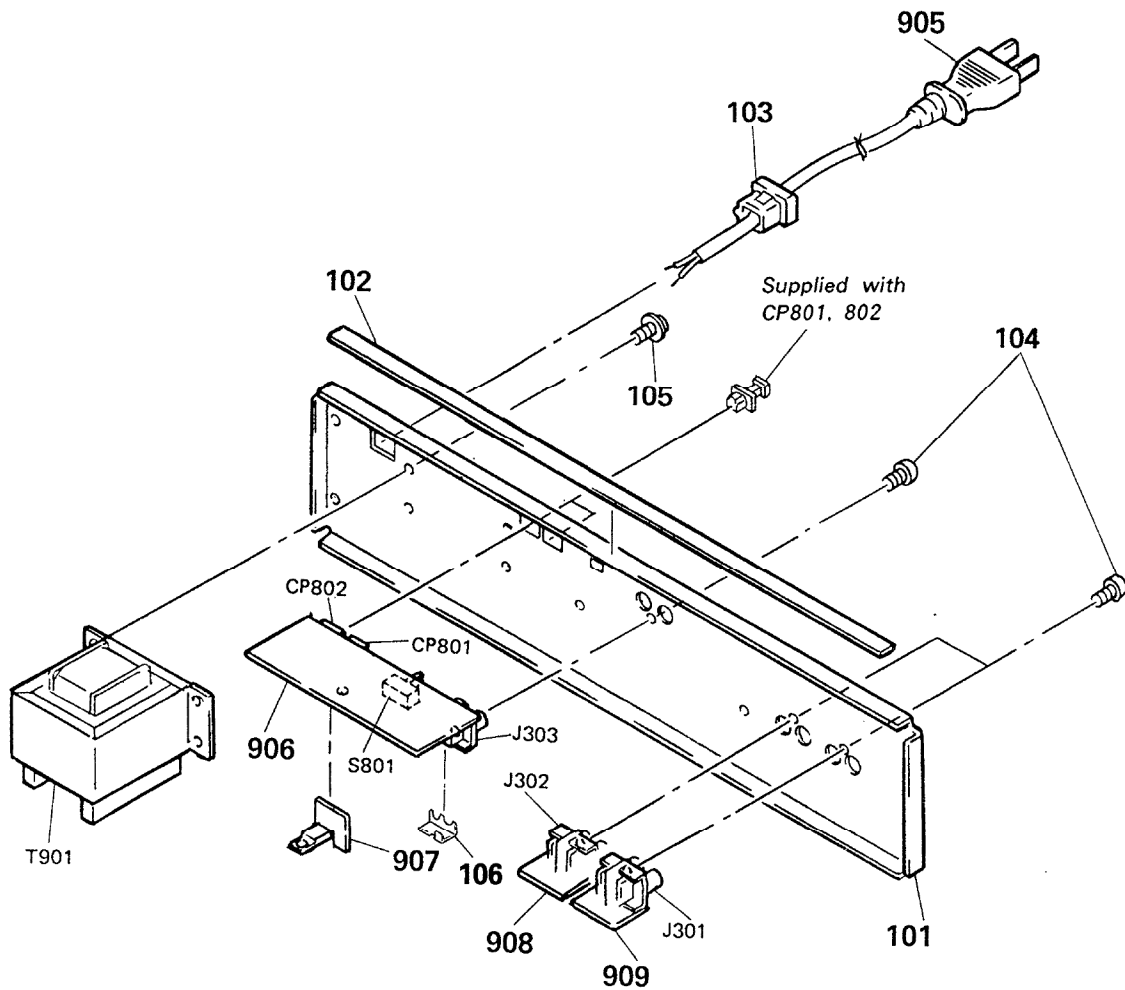
## 5-2. FRONT PANEL SECTION



**Note:** The components identified by mark ⚠ or dotted line with mark ⚠ are critical for safety. Replace only with part number specified.

No.	Part No.	Description	Remarks	No.	Part No.	Description	Remarks
51	X-4919-006-1	KNOB (REC-LEFT) ASSY		67	3-701-506-01	SET SCREW, DOUBLE POINT 3X4	
52	X-4919-007-1	KNOB (REC-RIGHT) ASSY		68	3-344-781-01	WASHER, POLYETHYLENE	
53	X-4919-013-1	ESCUTCHEON ASSY		901	*A-2006-080-A	MOUNTED PCB, CONTROL SW	
54	4-908-848-01	EMBLEM, SONY		902	*1-630-193-11	PC BOARD, POWER SW	
55	4-918-972-01	KNOB, SLIDE SW		903	*1-630-192-11	PC BOARD, REC VOL	
56	4-922-531-01	KNOB (A TYPE), LOV		904	*1-630-191-11	PC BOARD, HP	
57	4-922-921-01	BUTTON (POWER)		FL701	1-519-472-11	INDICATOR TUBE, FLUORESCENT	
58	4-931-421-01	KNOB (T & S)		J304	1-565-327-11	JACK, LARGE TYPE 1P (HEADPHONES)	
59	*4-931-422-01	BRACKET (P & V)		RV301	1-238-520-11	RES, VAR, CARBON 20K/20K (REC LEVEL)	
60	4-931-423-01	WINDOW (FL TUBE)		RV302	1-238-359-11	RES, VAR, CARBON 20K/20K (HEADPHONES LEVEL)	
61	4-931-437-01	BUTTON (10 KEY)		S701	⚠ 1-571-305-11	SWITCH, PUSH (1 KEY)(POWER)	
62	4-931-438-11	PANEL, FRONT		S702	1-571-520-11	SWITCH, SLIDE (TIMER)	
63	7-685-133-19	SCREW +BTP 2.6X6 TYPE2 N-S		S703	1-570-974-11	SWITCH, SLIDE (INPUT)	
64	7-685-534-19	SCREW +BTP 2.6X8 TYPE2 N-S		S704	1-570-974-11	SWITCH, SLIDE (SKIP)	
65	*4-922-524-01	HOLDER (LEFT)					
66	*4-922-523-01	HOLDER (RIGHT)					

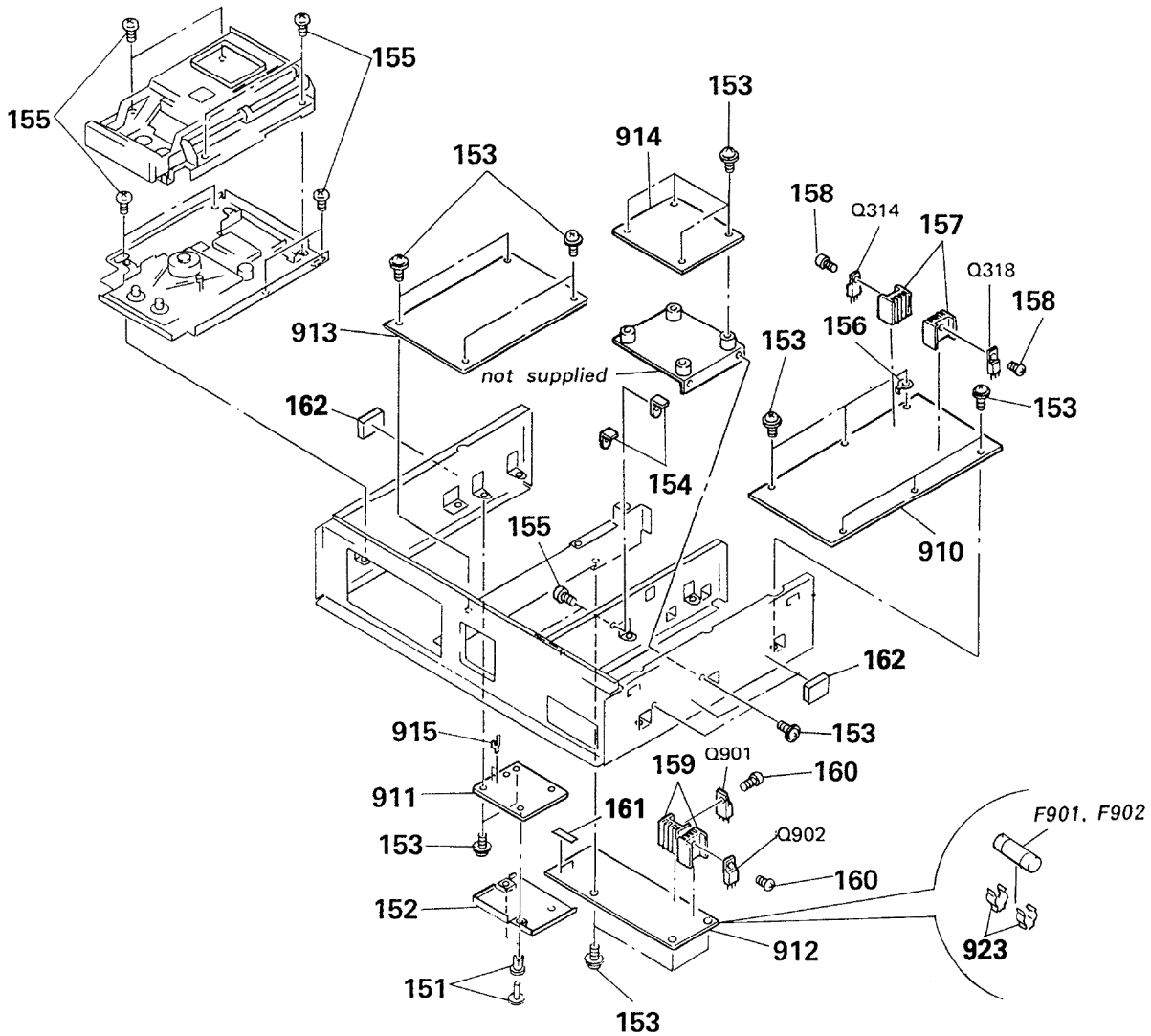
### 5-3. REAR PANEL SECTION



**Note:** The components identified by mark  $\triangle$  or dotted line with mark  $\triangle$  are critical for safety. Replace only with part number specified.

No.	Part No.	Description	Remarks	No.	Part No.	Description	Remarks
101	*4-925-785-21	PANEL, BACK		908	*1-630-567-11	PC BORAD, PIN JACK OUT	
102	*4-925-691-01	CUSHION (B)		909	*1-630-566-11	PC BORAD, PIN JACK IN	
103	*3-703-244-00	BUSHING (2104), CORD		CP801	1-464-931-11	RECEIVE UNIT, RAY	
104	7-621-849-00	SCREW, TAPPING		CP802	1-464-878-11	TRANSMITTER UNIT, RAY	
105	3-704-366-01	SCREW (CASE) (M3X8)		J301	1-565-319-71	JACK, PIN 2P (LINE IN)	
106	*4-928-177-01	PLATE, GROUND		J302	1-565-319-71	JACK, PIN 2P (LINE OUT)	
905	$\triangle$ 1-555-795-00	CORD, POWER		J801	1-565-319-61	JACK, PIN 2P (OAX 1AL)	
906	*1-630-188-11	PC BOARD, D I/O		T901	$\triangle$ 1-449-779-11	TRANSFORMER, POWER	
907	*1-630-568-11	PC BORAD, TRANSISTOR					

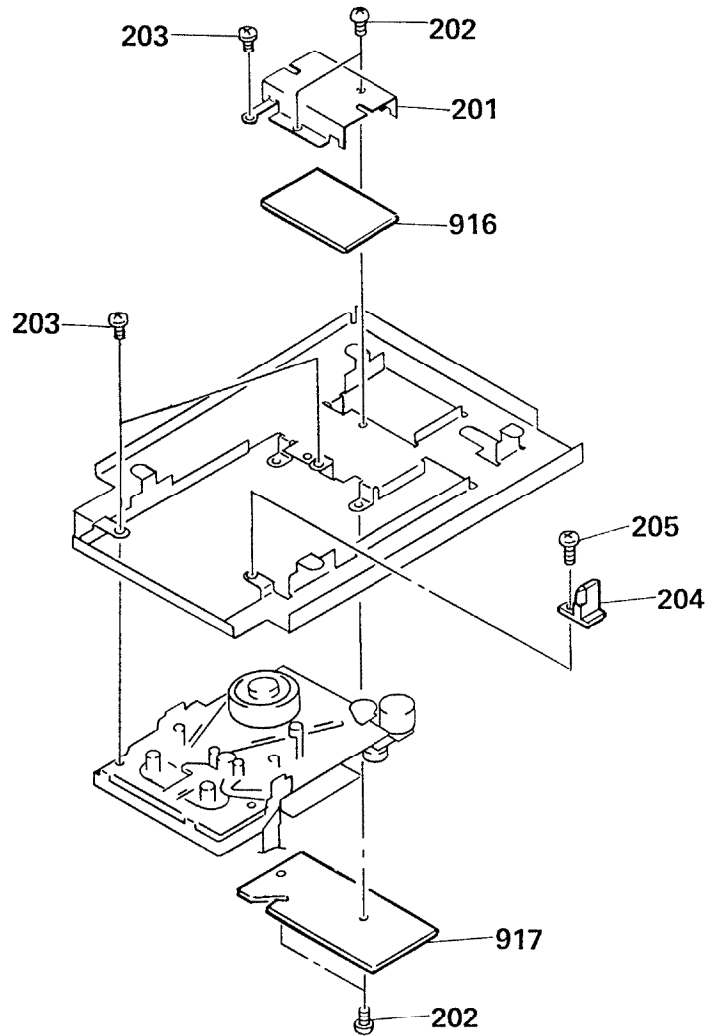
5-4. MAIN BOARD SECTION



**Note:** The components identified by mark  $\triangle$  or dotted line with mark  $\triangle$  are critical for safety. Replace only with part number specified.

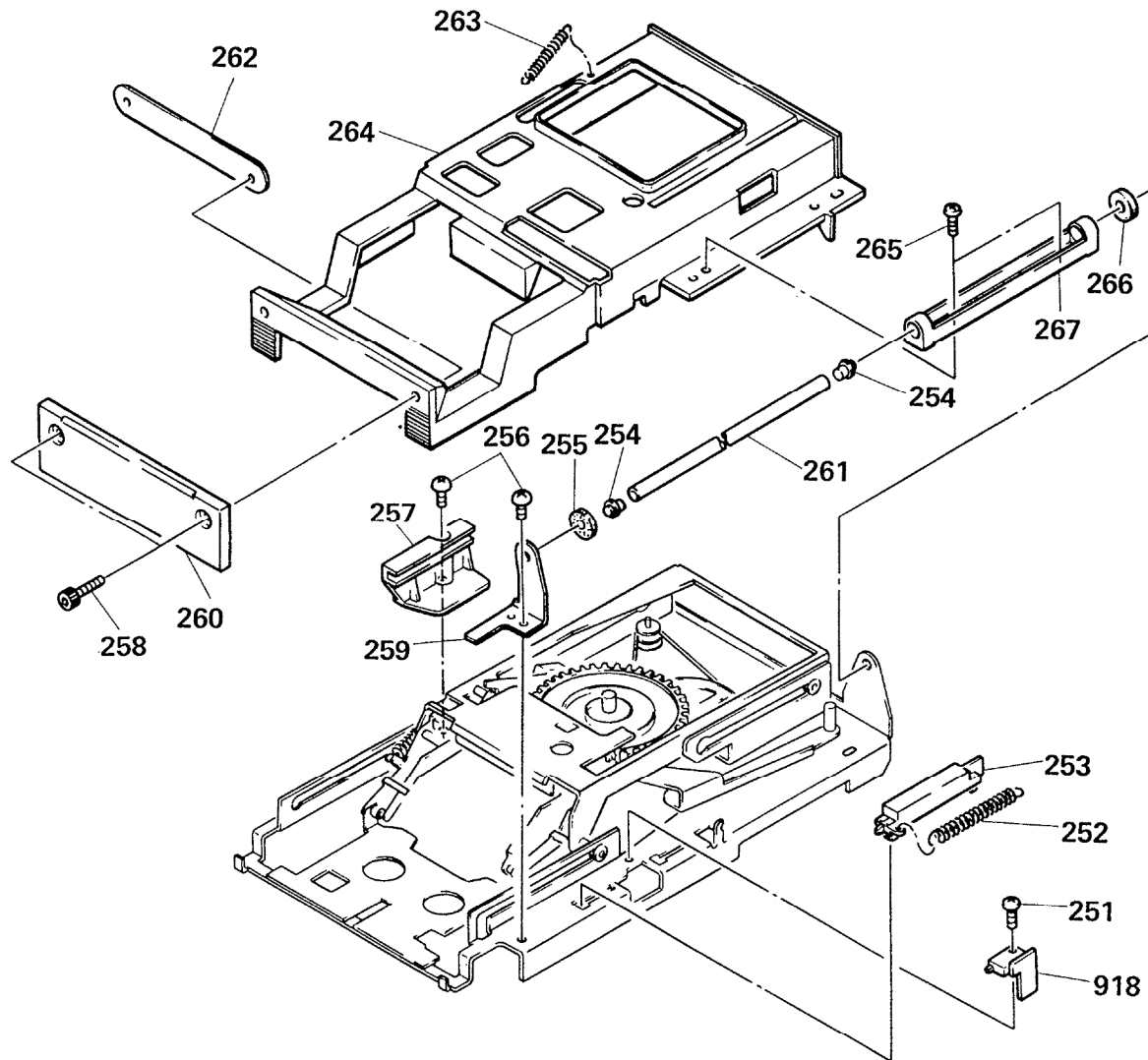
No.	Part No.	Description	Remarks	No.	Part No.	Description	Remarks
151	3-531-576-01	RIVET, NYLON		910	*A-2006-180-A	MOUNTED PCB, ANALOGUE	
152	*4-925-790-01	COVER (POWER)		911	*1-630-190-11	PC BOARD, LPF	
153	3-531-576-01	RIVET		912	*A-2006-078-A	MOUNTED PCB, POWER	
154	4-886-821-11	SCREW, S TIGHT, +PTTWH 3X6		913	*A-2006-079-A	MOUNTED PCB, SERVO	
155	*4-923-506-11	BRACKET (PC BOARD)		914	*A-2006-183-A	MOUNTED PCB, AD	
156	7-682-547-09	SCREW +BVTT 3X6 (S)		915	*1-535-771-11	TERMINAL	
157	4-870-539-00	PLATE, GROUND		923	1-533-162-00	HOLDER, FUSE	
158	*4-363-146-71	HEAT SINK, V.OUT		F901	$\triangle$ 1-532-286-00	FUSE, TIME-LAG (2.5A)	
159	7-682-147-15	SCREW, TR		F902	$\triangle$ 1-532-286-00	FUSE, TIME-LAG (2.5A)	
160	*4-931-401-01	HEAT SINK, V.OUT					
161	7-682-547-09	SCREW +BVTT 3X6 (S)					
162	3-701-947-15	LABEL (T2.5A), FUSE					
	9-911-840-XX	CUSHION					

5-5. MECHANISM ASSEMBLY



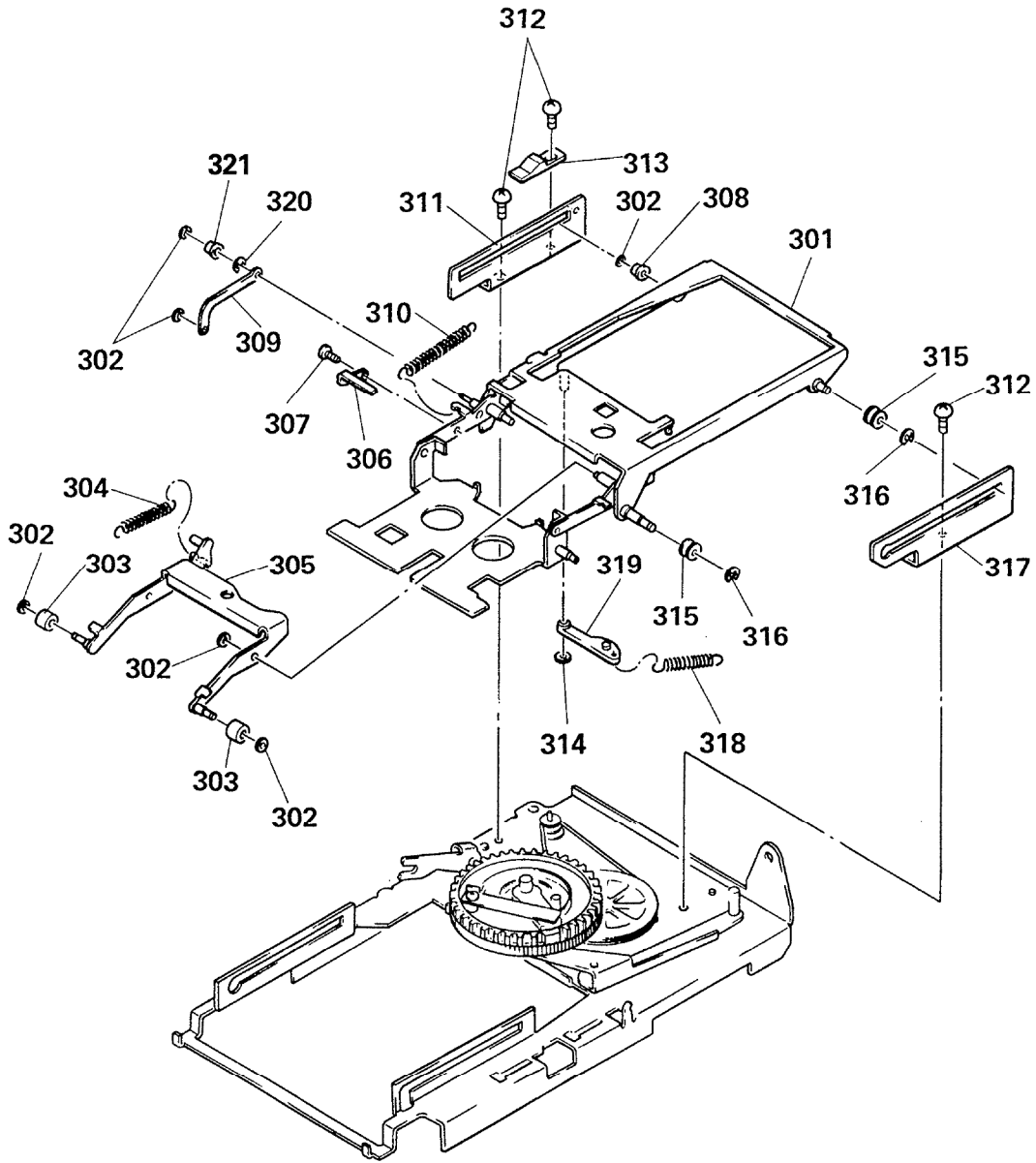
No.	Part No.	Description	Remarks	No.	Part No.	Description	Remarks
201	*3-345-196-01	CASE, SHIELD		205	7-621-772-38	SCREW +B 2X6	
202	7-621-770-87	SCREW +B 2.6X5		916	*A-2006-059-A	MOUNTED PCB, RF AMPLIFIER	
203	7-621-772-18	SCREW +B 2X4		917	*1-630-186-11	PC BOARD, DRUM DRIVE	
204	*4-923-751-01	HOLDER (A)					

## 5-6. DATM BLOCK ASSEMBLY-1



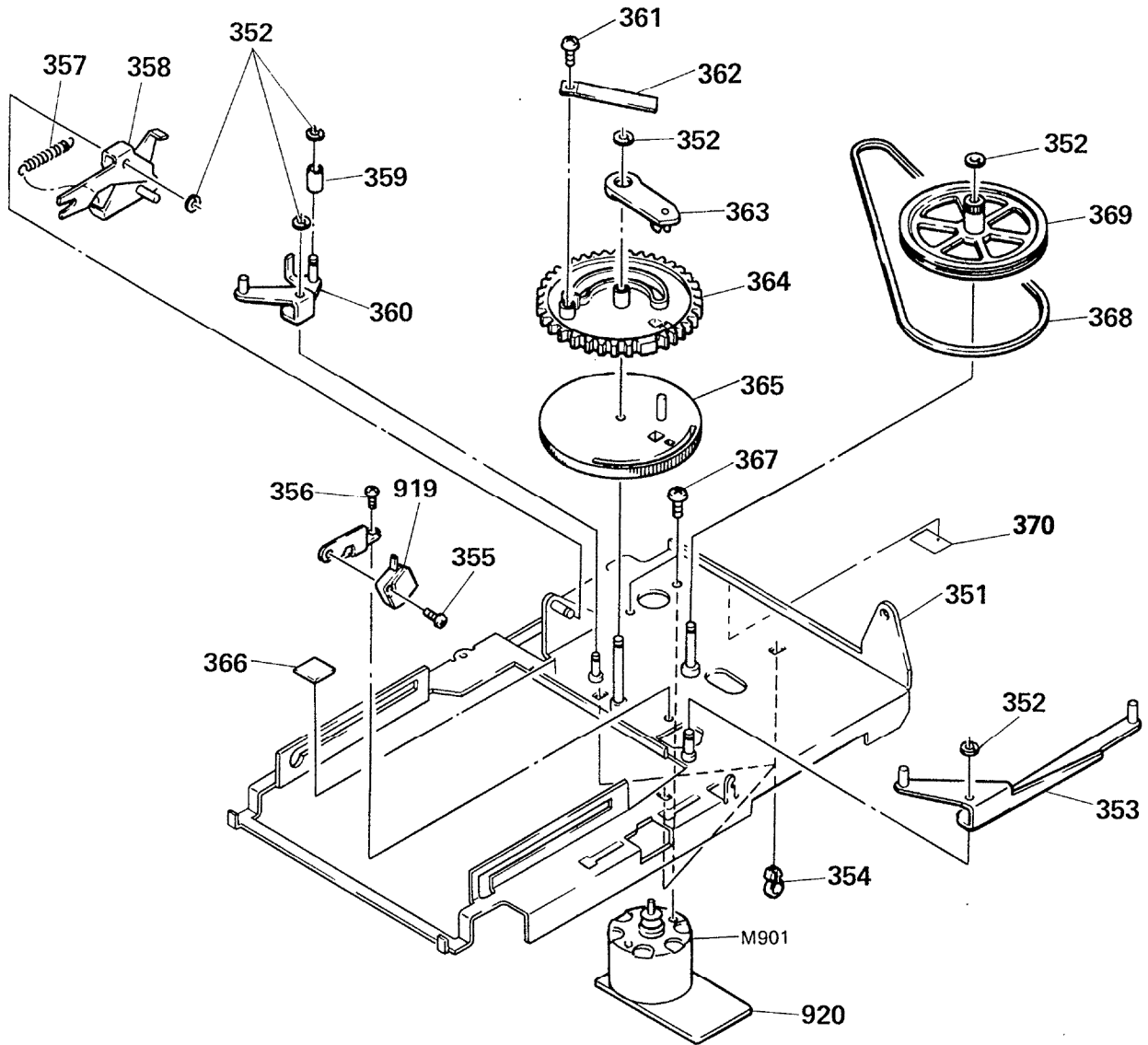
No.	Part No.	Description	Remarks	No.	Part No.	Description	Remarks
251	7-621-255-40	SCREW +P 2X6		260	4-931-424-01	PANEL (CASSETTE COMPARTMENT)	
252	4-925-725-01	SPRING, TENSION		261	4-931-405-01	SHAFT (PP)	
253	*4-923-773-01	SLIDER (OP)		262	*4-923-737-01	BRACKET (LP)	
254	4-931-418-01	SHAFT (JOINT)		263	4-925-735-01	SPRING, TENSION	
255	*4-912-587-11	CUSHION		264	*4-923-789-01	HOLDER (TRAY), CASSETTE	
256	7-682-547-04	SCREW +BVTT 3X6 (S)		265	7-685-534-19	SCREW +BTP 2.6X8 TYPE2 N-S	
257	*4-923-772-01	SLIDER (T)		266	*4-912-587-01	CUSHION	
258	7-683-413-05	BOLT, HEXAGON SOCKET 2.6X8		267	*4-923-771-01	BEARING	
259	*4-923-739-01	BRACKET (SS)		918	*1-630-195-11	PC BOARD, CASSE-COM SW1	

5-7. DATM BLOCK ASSEMBLY-2



No.	Part No.	Description	Remarks	No.	Part No.	Description	Remarks
301	X-4919-012-1	SLIDER ASSY		311	*4-923-755-01	SLIDER (S)	
302	3-321-813-01	WASHER, COTTER POLYETHYLENE		312	7-682-547-04	SCREW +BVT 3X6 (S)	
303	4-918-946-01	ROLLER, PRESS		313	*4-923-752-11	HOLDER (B)	
304	3-549-810-00	SPRING, TENSION		314	3-325-290-21	WASHER, STOPPER	
305	X-4919-009-1	LEVER (DW) ASSY		315	4-923-754-01	ROLLER (M)	
306	*4-923-740-01	BRACKET (UP)		316	7-624-102-04	STOP RING 1.5, TYPE -E	
307	7-627-553-37	SCREW, PRECISION +P 2X3		317	*4-923-756-01	SLIDER (M)	
308	4-923-753-01	ROLLER (S)		318	3-465-159-XX	SPRING, TENSION	
309	*4-923-746-01	LEVER (LL)		319	*4-923-743-01	LEVER (KC)	
310	4-925-765-01	SPRING, TENSION		320	7-624-104-04	STOP RING 2.0, TYPE -E	
				321	4-931-442-01	ROLLER (S2)	

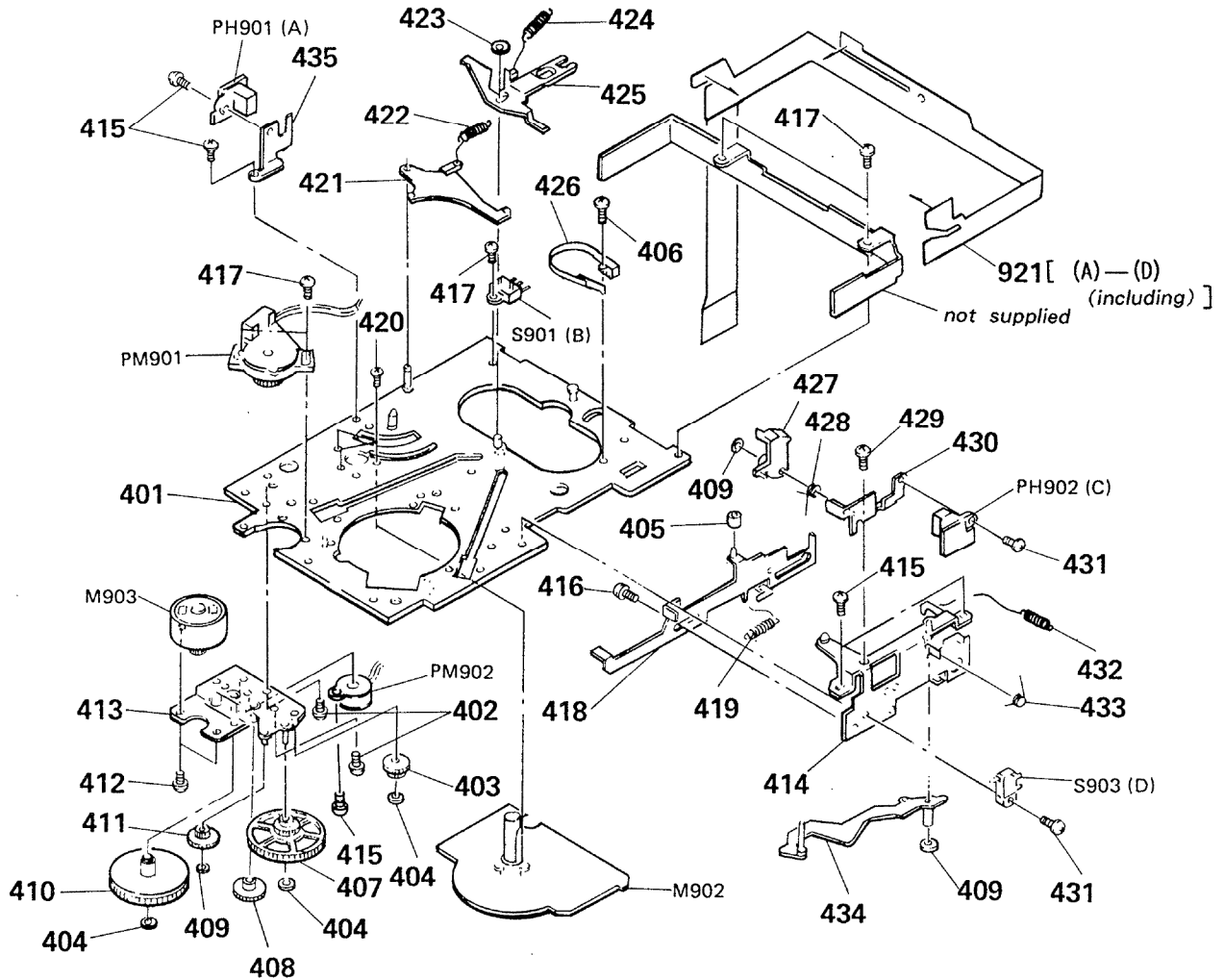
5-8. DATM BLOCK ASSEMBLY-3



No.	Part No.	Description	Remarks	No.	Part No.	Description	Remarks
351	*X-4919-011-1	CHASSIS ASSY		363	4-923-769-01	LEVER (G)	
352	3-325-290-21	WASHER, STOPPER		364	4-923-767-02	GEAR (U)	
353	X-4919-010-1	LEVER (LC) ASSY		365	4-923-783-01	GEAR (L)	
354	3-660-815-00	CLIP, CABLE		366	3-713-907-01	SPACER, CAM	
355	7-621-255-40	SCREW +P 2X6		367	7-621-775-00	SCREW +B 2.6X3	
356	7-621-772-00	SCREW +B 2X3		368	4-925-724-01	BELT	
357	4-925-723-01	SPRING, TENSION		369	4-923-768-01	GEAR (P)	
358	X-4919-005-1	LEVER (LV) ASSY		370	3-831-441-XX	CUSHION (B), CABINET	
359	*4-923-758-01	COLLAR (LD)		919	*1-630-196-11	PC BOARD, CASSE-COM SW2	
360	X-4919-004-1	LEVER (LD) ASSY		920	*1-630-194-11	PC BOARD, CASSE-COM MOTOR	
361	7-685-531-14	SCREW +BTP 2.6X4	TYPE2 N-S	M901	A-2003-377-A	MOTOR (L) ASSY (LOADING)	
362	4-923-759-01	SPRING (G)					

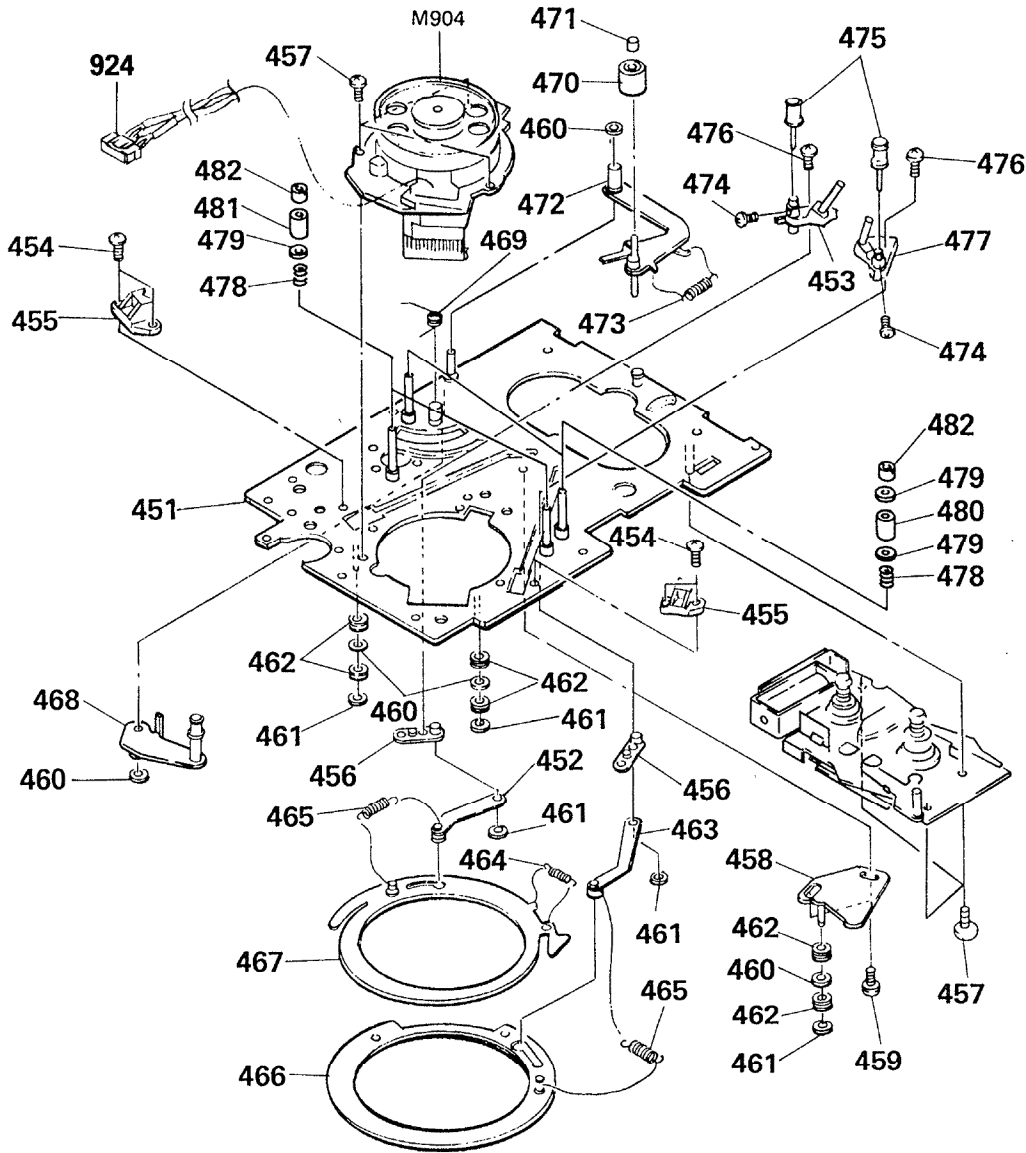


5-9. MECANISM SECTION-1 (DATM-12)



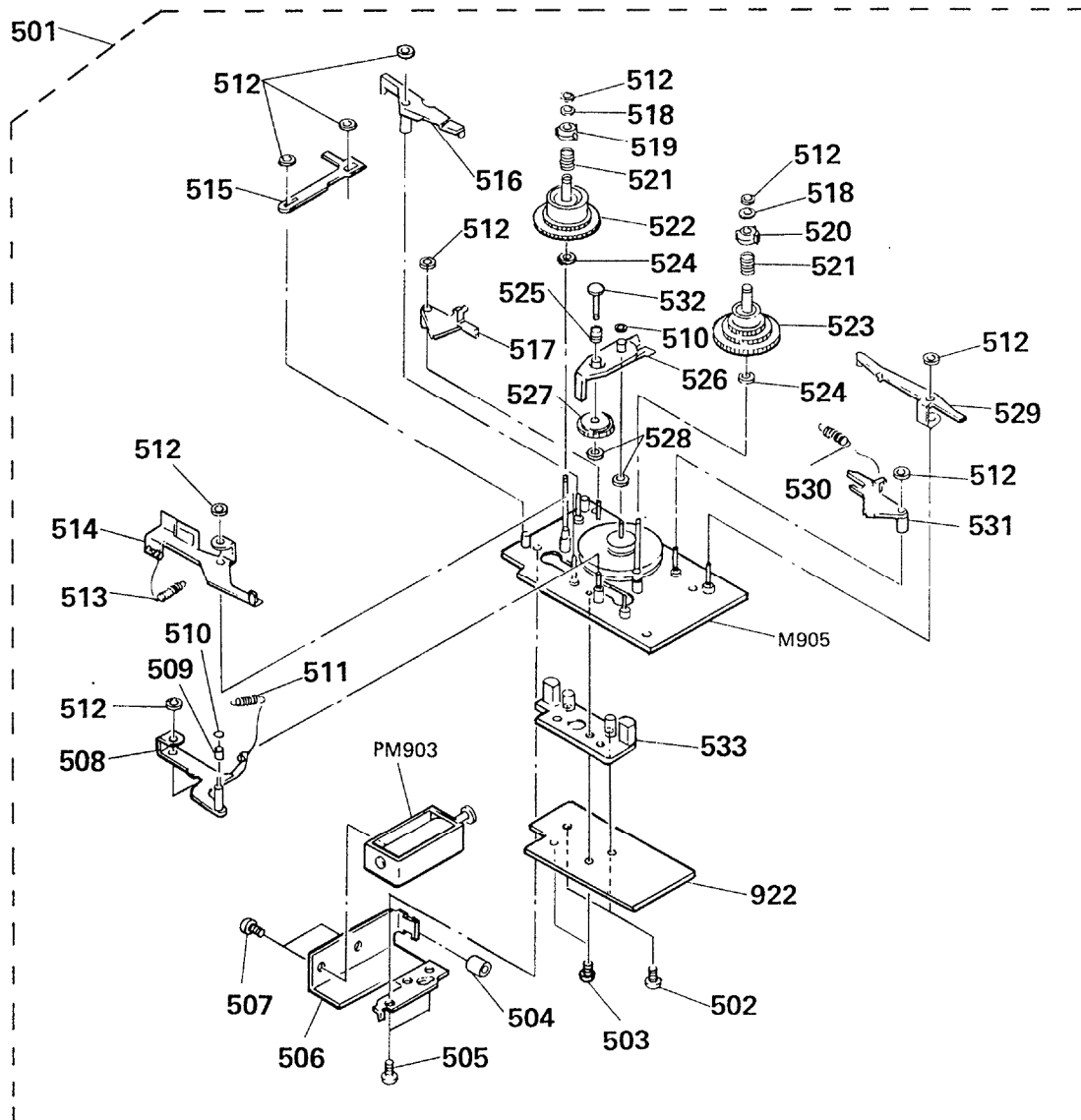
No.	Part No.	Description	Remarks	No.	Part No.	Description	Remarks
401	*X-3337-653-1	CHASSIS (MECHANICAL) ASSY		422	3-547-661-00	SPRING, TENSION	
402	7-628-253-00	SCREW +PS 2X4		423	3-321-813-01	WASHER, COTTER POLYETHYLENE	
403	3-345-182-01	GEAR (LOADING B)		424	3-570-898-00	SPRING, TENSION	
404	3-701-436-11	WASHER, 1.6 POLYETHYLENE		425	X-3337-638-1	LEVER (SLIDER) ASSY	
405	3-337-664-01	ROLLER		426	X-3337-632-1	BAND (TENSION REGULATOR) ASSY	
406	7-627-852-27	+P 1.7X3		427	3-337-608-01	OPENER, LID	
407	3-345-181-01	GEAR (LOADING A)		428	3-337-607-01	SPRING	
408	3-345-129-01	GEAR (A)		429	7-627-552-18	SCREW, PRECISION +P 1.7X1.6	
409	3-559-408-11	WASHER, POLYETHYLENE, DIA.1.2		430	*X-3337-631-1	HOLDER (E SENSOR L) ASSY	
410	X-3337-630-3	GEAR (B) ASSY		431	7-621-772-20	SCREW +B 2X5	
411	3-337-669-01	GEAR, MIDWAY		432	3-345-183-01	SPRING, TENSION	
412	7-627-553-17	SCREW, PRECISION +P 2X2		433	3-337-673-01	SPRING	
413	*X-3337-639-3	CHASSIS (CONTROL MOTOR) ASSY		434	*X-3337-629-1	LEVER (TENSION LEGULATOR) ASSY	
414	*X-3337-619-1	CHASSIS ASSY, TENSION REGULATOR		435	*3-345-119-03	HOLDER (E SENSOR RIGHT)	
415	7-621-772-08	SCREW +B 2X3		921	*1-630-197-11	PC BOARD, MD FLEXIBLE	
416	3-703-502-11	SCREW		M902	8-835-306-01	MOTOR, DC U-17A	
417	7-621-772-18	SCREW +B 2X4		PH901	1-807-698-11	PHOTO SENSOR	
418	X-3337-618-1	SLIDER ASSY, MODE		PH902	1-807-698-11	PHOTO SENSOR	
419	3-570-892-00	SPRING, TENSION		PM901	1-464-724-21	ENCODER, ROTARY	
420	7-627-552-47	SCREW, PRECISION +P 1.7X4		PM902	1-454-462-11	SOLENOID, PLUNGER	
421	3-345-145-01	LEVER (T LOCK)		S901	1-571-878-11	SWITCH, PUSH (2 KEY)	
				S903	1-570-771-11	SWITCH (LIMIT)	

5-10. MECANISM SECTION-2 (DATM-12)



No.	Part No.	Description	Remarks	No.	Part No.	Description	Remarks
451	*X-3337-653-1	CHASSIS (MECHANICAL) ASSY		468	A-2003-408-A	LEVER (F ARM) ASSY	
452	*X-3337-603-1	ARM (RIGHT) ASSY, LOADING		469	3-337-654-01	SPRING	
453	X-3337-652-1	SLANT BLOCK (RIGHT) ASSY		470	X-3337-610-1	PINCH ROLLER ASSY	
454	7-627-852-17	+P 1.7X4		471	3-337-626-01	CAP, PINCH ROLLER	
455	*3-345-195-01	CATCHER		472	X-3337-608-1	ARM ASSY, PINCH ROLLER	
456	X-3337-604-1	PLATE ASSY, LOADING		473	3-547-659-00	SPRING, TENSION	
457	7-621-772-18	SCREW +B 2X4		474	7-627-551-17	SCREW, PRECISION +P 1.4X2	
458	*X-3337-605-1	ARM ASSY, RING ROLLER		475	X-3337-622-1	GUIDE (POM) ASSY, ROLLER	
459	7-621-772-08	SCREW +B 2X3		476	3-703-502-81	SCREW	
460	3-701-436-11	WASHER, 1.6 POLYETHYLENE		477	X-3337-651-1	SLANT BLOCK (LEFT) ASSY	
461	3-559-408-11	WASHER, POLYETHYLENE, DIA.1.2		478	3-573-470-00	SPRING, COMPRESSION	
462	3-337-622-01	ROLLER, RING		479	3-337-677-01	FLANGE	
463	*X-3337-607-1	ARM (LEFT) ASSY, LOADING		480	3-337-676-01	GUIDE, FIXED	
464	3-352-503-01	SPRING, TENSION		481	3-337-676-11	GUIDE, FIXED	
465	3-337-653-01	SPRING, TENSION		482	3-337-605-01	NUT, ADJUSTMENT	
466	X-3337-602-1	RING (LEFT) ASSY, LOADING		924	9-831-257-50	WIRE KIT	
467	X-3337-601-1	RING (RIGHT) ASSY, LOADING		M904	8-848-513-11	DRUM ASSY DOU-02D	

5-11. MECANISM SECTION-3 (DATM-12)



No.	Part No.	Description	Remarks	No.	Part No.	Description	Remarks
501	A-2001-355-A	CHASSIS COMPLETE ASSY, DRIVING		520	*2-623-752-01	CLAW (C) (RIGHT), REEL	
502	7-685-102-19	SCREW +P 2X4 TYPE2 SLIT		521	2-623-754-01	SPRING, COMPRESSION	
503	7-621-772-18	SCREW +B 2X4		522	X-3337-634-1	TABLE (S) ASSY, REEL	
504	*3-576-990-01	CUSHION		523	X-3337-642-1	TABLE (T) ASSY, REEL	
505	7-621-772-08	SCREW +B 2X3		524	3-701-438-11	WASHER, 2.5	
506	*3-345-118-01	BRACKET (SOLENOID)		525	3-345-115-01	SPRING, COMPRESSION	
507	7-621-775-00	SCREW +B 2.6X3		526	*3-345-113-01	LEVER (FR)	
508	*X-3337-628-1	LEVER ASSY		527	X-3337-633-1	GEAR (MIDWAY) ASSY	
509	3-345-104-01	COLLAR		528	3-701-436-11	WASHER, 1.6 POLYETHYLENE	
510	3-315-384-11	WASHER, STOPPER		529	*X-3337-637-1	LEVER (BRAKE RELEASE) ASSY	
511	3-345-169-01	SPRING, TORSION		530	3-527-190-00	SPRING, TENSION	
512	3-559-408-11	WASHER, POLYETHYLENE, DIA.1.2		531	*X-3337-636-1	LEVER (BRAKE S) ASSY	
513	3-345-168-01	SPRING, TENSION		532	*3-345-114-01	SHAFT (MIDWAY GEAR)	
514	*X-3337-640-1	LEVER (REVERSE SB) ASSY		533	*3-345-142-01	HOLDER (FG SENSOR)	
515	*3-345-166-01	LEVER (SOLENOID)		922	*1-630-185-11	PC BOARD, SENSOR	
516	3-345-110-01	LEVER (BRAKE ARM)		M905	A-2001-355-A	CHASSIS COMPLETE ASSY, DRIVING	
517	*X-3337-635-1	LEVER (BRAKE T) ASSY		PM903	1-454-482-11	SOLENOID, PLUNGER	
518	3-345-112-01	RING, RETAINING					
519	*2-623-736-01	CLAW (C) (LEFT), REEL					