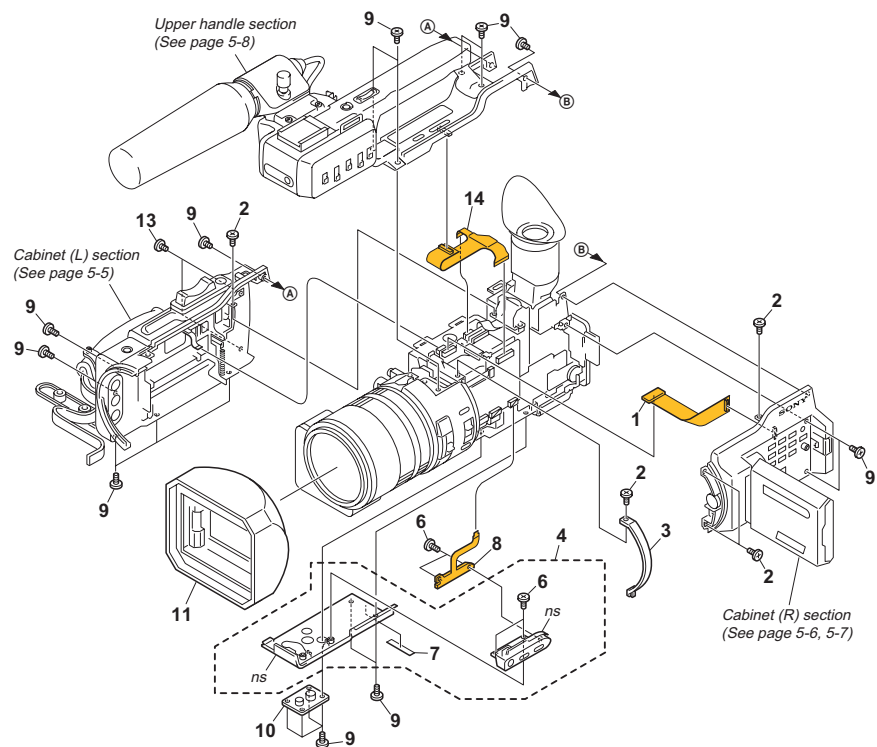


5. REPAIR PARTS LIST

5-1. EXPLODED VIEWS

5-1-1. OVERALL SECTION-1

ns : not supplied



Ref. No.	Part No.	Description
1	1-678-055-21	FP-187 FLEXIBLE BOARD
2	3-053-121-21	BOLT (M2), SPRING
3	3-060-683-01	PLATE, CF ORNAMENTAL
4	X-3953-919-1	CABINET BOTTOM ASSY
6	3-080-205-21	SCREW, TAPPING, P2
7	3-062-455-01	FOOT (B), RUBBER

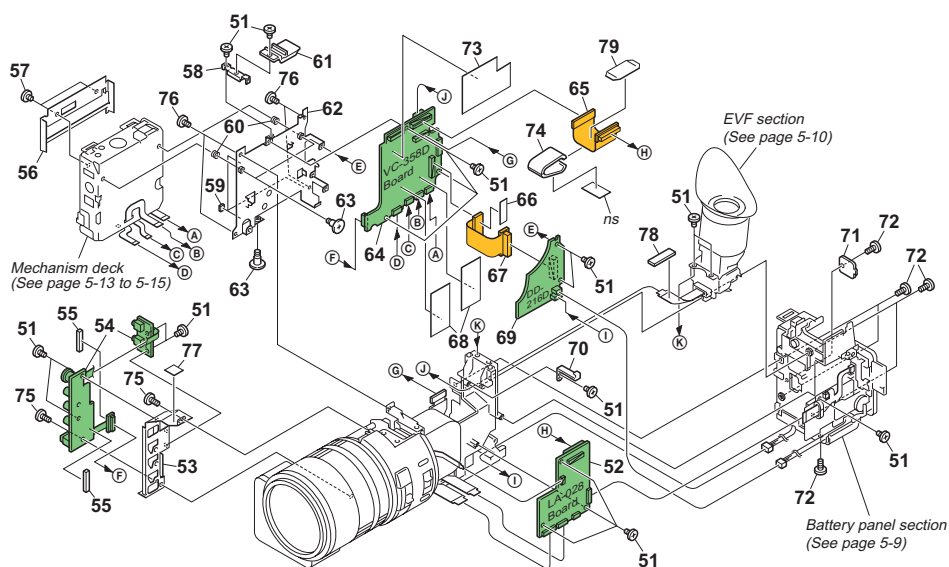
Ref. No.	Part No.	Description
8	1-678-057-31	FP-189 FLEXIBLE BOARD
9	3-080-203-41	SCREW(M2), LOCK ACE, P2
10	3-963-940-02	TABLE, TRIPOD
11	3-088-528-01	HOOD, LENS
13	3-080-203-21	SCREW(M2), LOCK ACE, P2
14	1-861-004-11	FP-895 FLEXIBLE BOARD

DSR-PD170/PD170P/PD190P

5. REPAIR PARTS LIST

5-1-2. OVERALL SECTION-2

ns : not supplied



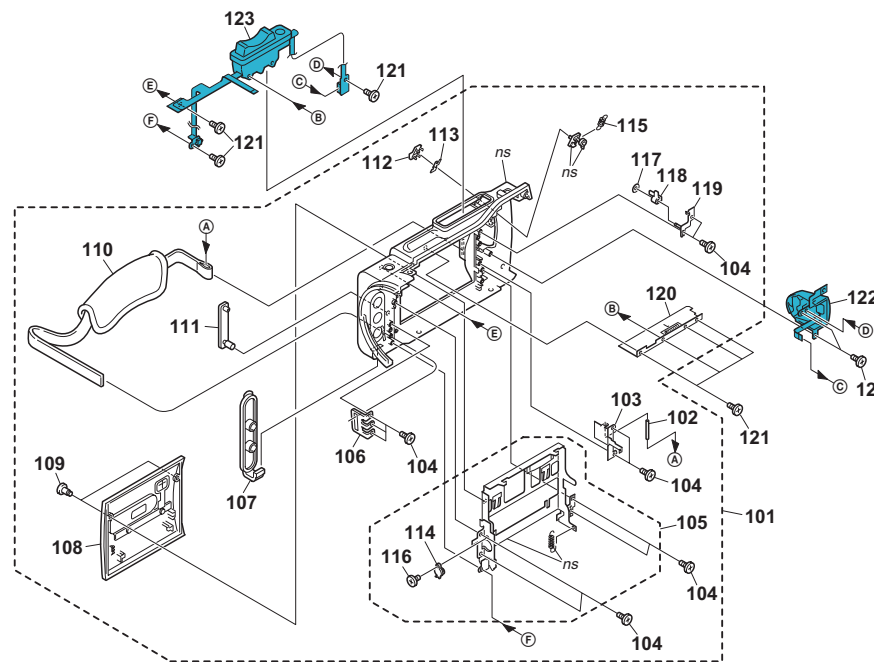
Ref. No.	Part No.	Description
51	3-080-202-21	SCREW(M2),LOCK ACE,P2
52	A-7078-946-A	LA-028 BOARD, COMPLETE
53	3-060-682-01	FRAME, JK
54	A-7078-952-A	JK-267 BOARD, COMPLETE
* 55	3-053-354-01	CUSHION, CD FLEXIBLE
56	3-060-673-01	LID, LD OUTER
57	3-080-203-01	SREW(M2),LOCK ACE,P2
58	3-060-684-01	JOINT, LA
59	3-975-921-01	SHEET, VIBRATION PROOF
60	3-061-679-02	SPRING, MD GROUND
61	3-060-789-01	RETAINER, FLEXIBLE
62	X-3950-571-1	FRAME ASSY, MD
63	3-988-464-11	SCREW (M2), STEP
64	A-7112-573-A	VC-358D BOARD, COMPLETE (SERVICCE)
65	1-678-054-31	FP-186 FLEXIBLE BOARD

Ref. No.	Part No.	Description
66	3-061-053-01	SHEET, FP191
67	1-678-059-21	FP-191 FLEXIBLE BOARD
68	3-061-516-01	SHEET, RF FLEXIBLE
69	A-7078-957-A	DD-216D BOARD, COMPLETE
70	3-060-787-01	CLAMP, FLEXIBLE
71	3-060-677-11	COVER, CPC
72	3-080-203-41	SREW(M2),LOCK ACE,P2
* 73	3-062-779-01	SHEET (VC)
74	1-469-830-11	FILTER, EMI
75	3-053-121-21	BOLT (M2), SPRING
76	3-072-453-11	O PLATE +P2 MAIN M2EG GRIP
* 77	3-062-739-01	SHEET (C), ABSORBING
* 78	3-066-153-01	SHEET (VI)
79	3-089-711-01	SHEET (FP-186), COPPER LEAF

5. REPAIR PARTS LIST

5-1-3. CABINET (L) SECTION

ns : not supplied



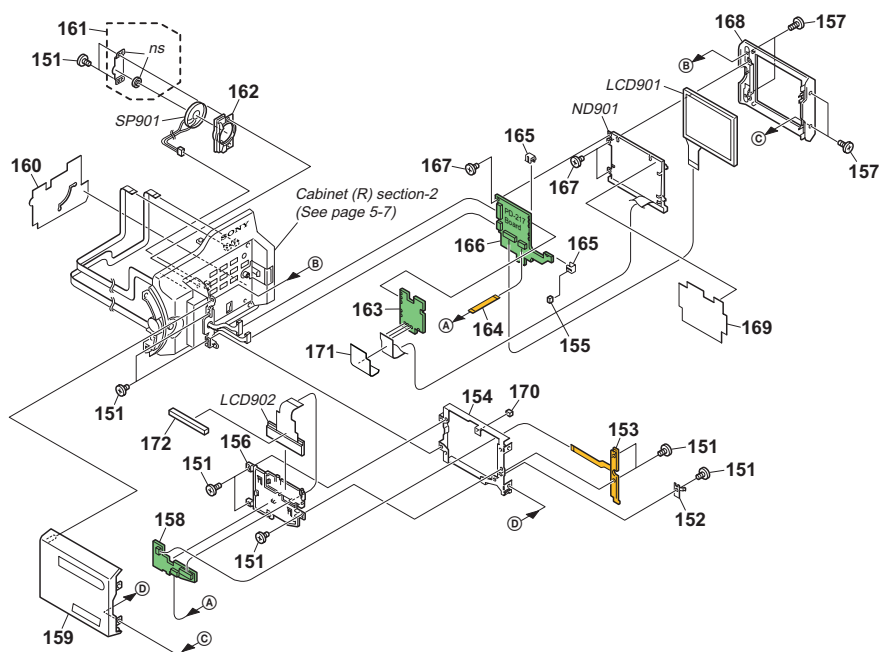
Ref. No.	Part No.	Description	Ref. No.	Part No.	Description
101	X-3953-977-1	CABINET L (D) ASSY	113	3-060-549-01	SHEET, EJECT
102	3-703-357-08	PIN (DIA. 1.6 SERISE)	* 114	4-634-290-01	DAMPER
103	3-060-550-02	BRACKET (REAR), GRIP	115	3-060-554-01	SPRING, TENSION
104	3-080-206-21	SCREW, TAPPING, P2	116	3-968-729-81	SCREW (M2), LOCK ACE, P2
105	X-3950-561-1	CS ASSY	117	3-669-465-01	WASHER (1.5), STOPPER
106	3-051-871-01	BRACKET (FRONT), BELT	118	3-060-553-01	LEVER, EJECT
107	3-060-540-11	COVER (AV), JACK	119	X-3950-585-1	SHEET METAL ASSY, EJECT
108	X-3954-000-1	LID (D) ASSY, CASSETTE	120	X-3950-562-1	SLIDER ASSY
109	3-060-790-11	SCREW (M2 STEP)	121	3-080-205-21	SCREW, TAPPING, P2
110	3-060-548-03	BELT, GRIP	122	1-476-075-21	SWITCH BLOCK, CONTROL (PS-4980)
111	3-060-541-11	COVER (L), JACK	123	1-476-025-21	SWITCH BLOCK, CONTROL (CF-4980)
112	3-060-551-01	KNOB, EJECT			

DSR-PD170/PD170P/PD190P

5. REPAIR PARTS LIST

5-1-4. CABINET (R) SECTION-1

ns : not supplied



Ref. No.	Part No.	Description
151	3-080-202-21	SCREW(M2),LOCK ACE,P2
* 152	3-060-698-01	RETAINER, BL
153	1-678-063-31	FP-195 FLEXIBLE BOARD
* 154	3-060-688-01	FRAME, LCD
155	3-061-509-01	PAD (RIGHT), PD
* 156	3-060-687-01	HOLDER, PANEL
157	3-080-203-41	SREW(M2),LOCK ACE,P2
158	A-7078-944-A	HL-013 BOARD, COMPLETE
159	X-3954-002-1	CABINET (C) (D) ASSY, P
160	3-060-796-01	SHEET, R FLEXIBLE PROTECTION
* 161	X-3950-577-2	PLATE ASSY, SP RETAINER
* 162	3-060-686-01	HOLDER, SPEAKER
△ 163	1-418-876-11	TRANSFORMER UNIT, INVERTER

Ref. No.	Part No.	Description
164	1-678-062-21	FP-195 FLEXIBLE BOARD
* 165	3-051-232-01	CLIP, PCB
166	A-7078-956-A	PD-217 BOARD, COMPLETE
167	3-989-735-01	SCREW (M1.7), LOCK ACE, P2
168	X-3953-909-1	CABINET (M) ASSY, P
169	3-060-704-01	SHEET (N), BL SHIELD
170	3-061-510-01	PAD (UPPER), PD
* 171	3-062-196-01	SHEET, BL INSULATING
* 172	3-063-148-01	FOAM (SMALL), DUST PROTECTION
LCD901	8-753-209-13	ACX500ENA-J
LCD902	A-7095-909-A	PANEL BLOCK ASSY, INDICATION
△ ND901	1-517-931-21	TUBE, FLUORESCENT,COLD CATHODE
SP901	1-505-862-81	SPEAKER (2.0 CM)

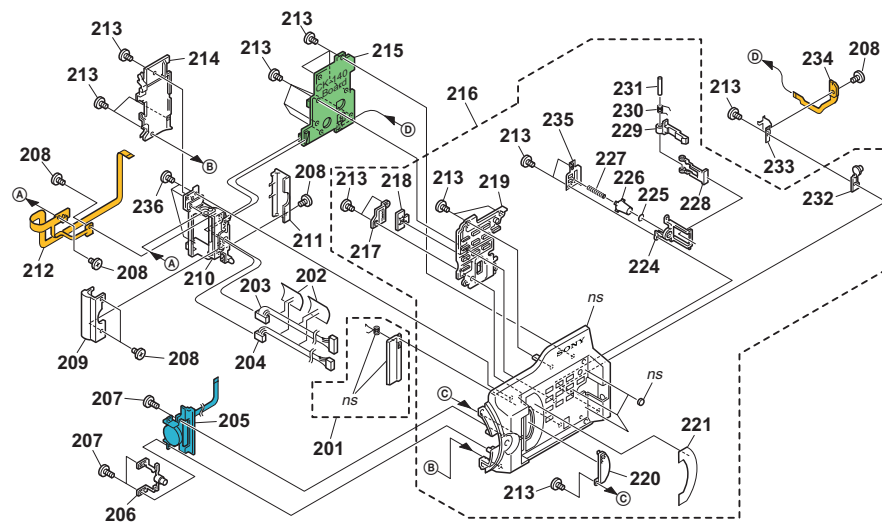
Note :
The components identified by mark △ or dotted line with mark △ are critical for safety. Replace only with part number specified.

Note :
Les composants identifiés par une marque △ sont critiques pour la sécurité. Ne les remplacer que par une pièce portant le numéro spécifié.

5. REPAIR PARTS LIST

5-1-5. CABINET (R) SECTION-2

ns : not supplied



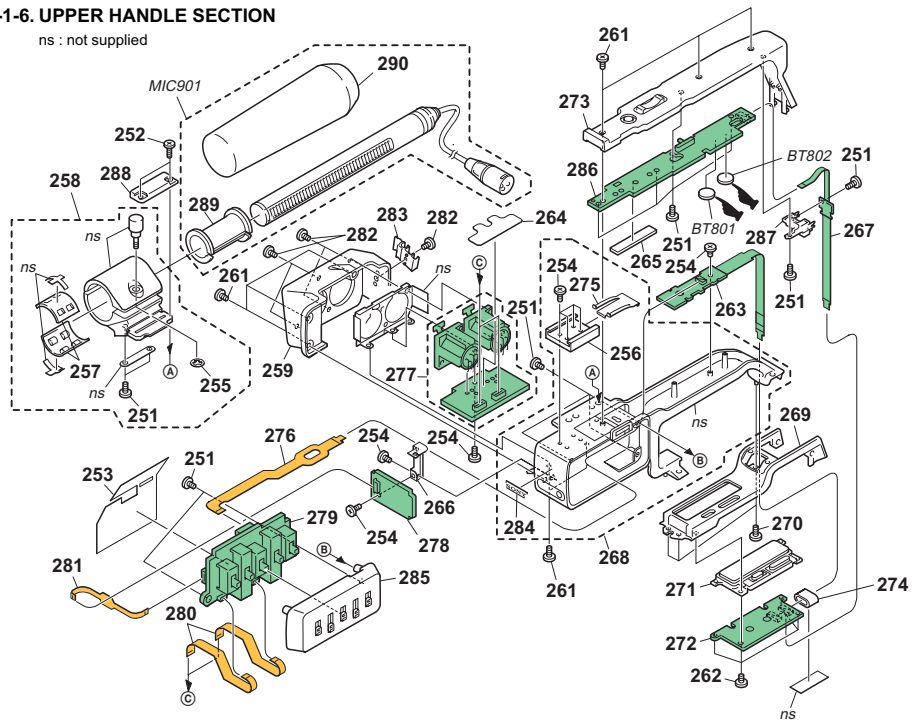
Ref. No.	Part No.	Description	Ref. No.	Part No.	Description
201	X-3950-599-1	DOOR (D) ASSY, BLIND	218	3-060-644-11	KNOB, ZEBRA
202	3-060-795-01	TAPE, HARNESS FIXED	219	3-060-636-11	BUTTON, R
203	1-960-558-11	HARNESS (CP-094) 14P	220	3-060-637-11	GRILLE, SPEAKER
204	1-960-557-11	HARNESS (CP-093) 8P	221	3-060-639-11	SHEET, PROTECTION
205	1-476-183-11	SWITCH BLOCK, CONTROL (ED-4980)	224	3-060-630-11	BASE, PANEL LOCK
206	3-060-689-01	BUTTON, BRIGHT	225	3-060-641-02	PAD, PANEL (POP) UP
207	3-053-121-21	BOLT (M2), SPRING	226	3-060-632-11	UP, PANEL (POP)
208	3-989-735-01	SCREW (M1.7), LOCK ACE, P2	227	3-060-633-01	SPRING, COMPRESSION
209	3-060-693-11	COVER (FRONT), HINGE	228	3-060-638-01	KNOB, PANEL LOCK
210	X-3950-576-4	HINGE ASSY	229	3-060-643-11	CLAW, PANEL LOCK
211	3-060-694-11	COVER (REAR), HINGE	230	3-060-634-01	SPRING, PANEL LOCK
212	1-678-064-31	FP-197 FLEXIBLE BOARD	231	3-060-635-01	SHAFT, PANEL LOCK
213	3-080-202-21	SCREW (M2), LOCK ACE, P2	232	3-060-642-01	BUTTON, MENU
* 214	3-060-690-01	LID, HINGE	* 233	3-060-691-01	BRACKET, MENU BUTTON
* 215	A-7078-940-A	CK-140 BOARD, COMPLETE	234	1-678-061-31	FP-194 FLEXIBLE BOARD
216	X-3953-999-1	CABINET (R) (D) ASSY	* 235	3-060-631-01	BRACKET, PANEL LOCK
* 217	3-060-640-01	COVER, ZEBRA KNOB	236	3-053-121-11	BOLT (M2), SPRING

DSR-PD170/PD170P/PD190P

5. REPAIR PARTS LIST

5-1-6. UPPER HANDLE SECTION

ns : not supplied



BT801, BT802 (Lithium battery) XZ-003 board on the mount position. (See page 4-120)

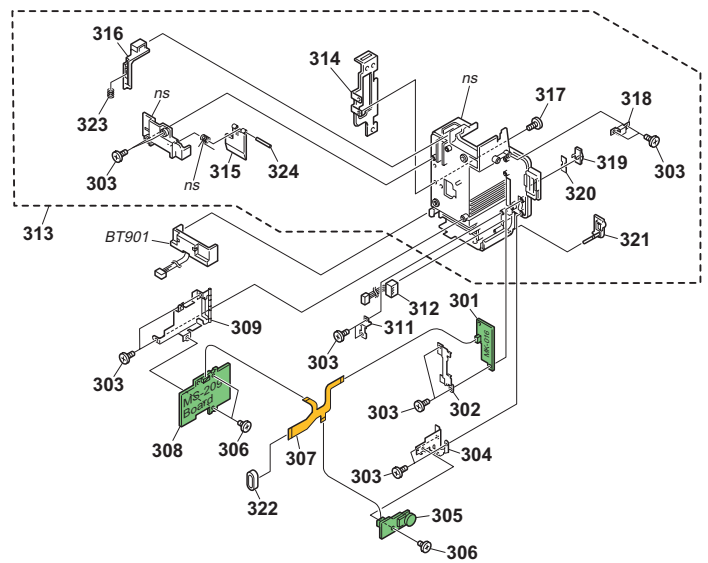
CAUTION :
Danger of explosion if battery is incorrectly replaced.
Replace only with the same or equivalent type.

Ref. No.	Part No.	Description	Ref. No.	Part No.	Description
251	3-080-205-21	SCREW,TAPPING,P2	272	A-7078-942-A	FK-088 BOARD, COMPLETE
252	7-682-549-09	SCREW +B 3X10	273	X-3953-994-1	COVER (D) ASSY, HANDLE
* 253	3-060-814-01	INSULATED PLATE, SW	274	1-469-829-11	CORE, FERRITE
254	3-080-202-21	SCREW(M2),LOCK ACE,P2	275	3-688-754-11	SPRING
255	3-165-904-01	WASHER, SCREW STOPPER	276	1-861-006-11	FP-897 FLEXIBLE BOARD
256	3-069-286-01	SHOE, ACCESSORY	277	A-7078-961-A	XM-005 BOARD, COMPLETE
257	3-608-303-01	RUBBER	278	A-7078-960-A	XD-003 BOARD, COMPLETE
258	X-3953-997-1	HOLDER ASSY, MICROPHONE	279	A-7078-962-A	XS-004 BOARD, COMPLETE
259	3-060-813-11	CABINET (R), HANDLE	280	1-678-052-11	FP-217 FLEXIBLE BOARD
261	3-080-203-41	SREW(M2),LOCK ACE,P2	281	1-678-053-11	FP-218 FLEXIBLE BOARD
262	3-053-121-11	BOLT (M2), SPRING	282	3-061-062-11	BOLT (M2.6)
263	A-7078-959-A	MA-430D BOARD, COMPLETE	283	3-087-942-01	HOLDER (2 GANG), CABLE
* 264	3-063-408-01	SHEET, XLR	284	3-969-037-02	EMBLEM (NO.3), SONY
265	3-088-406-01	SHEET (G), ABSORBING	285	X-3953-996-1	CABINET (L) ASSY, HANDLE
* 266	3-060-815-01	BRACKET, DD	286	A-7078-963-A	XZ-003 BOARD, COMPLETE
267	A-7078-955-A	RM-091 BOARD, COMPLETE	287	X-3953-946-1	HOLDER ASSY, RM FIXED
268	X-3953-995-1	HANDLE (D) ASSY	288	3-064-629-01	RETAINER (UPPER) D, HOLDER
269	3-060-786-31	CABINET (UPPER)	289	3-179-882-01	SPACER, MICROPHONE
270	3-053-121-21	BOLT (M2), SPRING	290	3-048-481-01	SCREEN, WIND
271	X-3950-600-1	FRAME (D) ASSY, FK	MIC901	8-814-298-90	MICROPHONE ECM-NV1

5. REPAIR PARTS LIST

5-1-7. BATTERY PANEL SECTION

ns : not supplied



Ref. No.	Part No.	Description
301	A-7078-948-A	MK-016 BOARD, COMPLETE
* 302	3-060-678-01	RETAINER, MK
303	3-080-205-21	SCREW,TAPPING,P2
* 304	3-060-679-01	HOLDER, KP
305	A-7078-945-A	KP-013 BOARD, COMPLETE
306	3-080-202-21	SCREW(M2),LOCK ACE,P2
307	1-678-058-21	FP-190 FLEXIBLE BOARD
308	A-7078-949-A	MS-209 BOARD, COMPLETE
309	X-3950-589-1	HOLDER ASSY, MS
* 311	3-060-680-01	RETAINER, DC JACK
312	1-794-637-21	CONNECTOR, DC-IN
313	X-3953-998-1	PANEL (D) ASSY, BATTERY

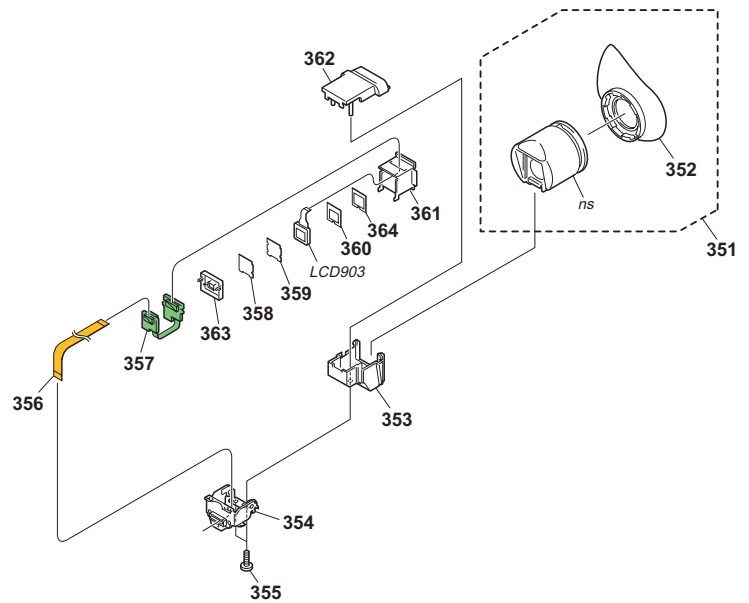
Ref. No.	Part No.	Description
314	3-060-592-01	BRACKET (R), S BELT
315	3-060-595-01	CLAW, BT LOCK
316	3-060-594-11	LEVER, BT RELEASE
317	3-080-203-41	SREW(M2),LOCK ACE,P2
* 318	3-060-774-01	JOINT, BT-R
319	3-060-598-01	BUTTON, AL
320	3-060-776-01	SHEET, AL
321	3-060-773-11	COVER, DC JACK
322	1-469-829-11	CORE, FERRITE
323	3-968-771-01	SPRING, COMPRESSION
324	3-968-770-01	SHAFT, BT
BT901	1-694-411-11	TERMINAL BOARD, BATTERY

DSR-PD170/PD170P/PD190P

5. REPAIR PARTS LIST

5-1-8. EVF SECTION

ns : not supplied

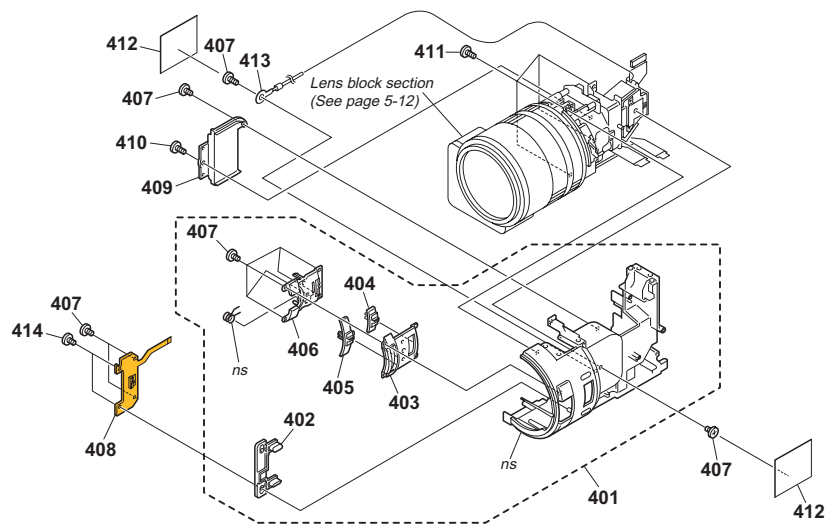


Ref. No.	Part No.	Description	Ref. No.	Part No.	Description
351	X-3953-896-1	CABINET ASSY, VF (REAR)	359	3-072-210-01	SHEET, PRISM
352	3-087-515-01	EYE CUP	360	3-087-530-01	SHEET, LIGHT INTERCEPTION
353	X-3953-895-1	CABINET (LOWER) ASSY,VF(FRONT)	361	X-3953-897-1	HOLDER ASSY, LCD
354	X-3950-565-1	HINGE ASSY, VF	362	3-087-528-01	CABINET (UPPER), VF (FRONT)
355	3-080-204-51	SCREW, TAPPING, P2	363	3-072-214-01	GUIDE (20), LAMP
356	1-678-060-21	FP-193 FLEXIBLE BOARD	364	3-087-529-01	CUSHION, LCD
357	A-7078-958-A	LB-100D BOARD, COMPLETE	LCD903	8-753-036-73	LCX033APA-1
358	3-072-211-01	ILLUMINATOR			

5. REPAIR PARTS LIST

5-1-9. CENTER FRAME SECTION

ns : not supplied



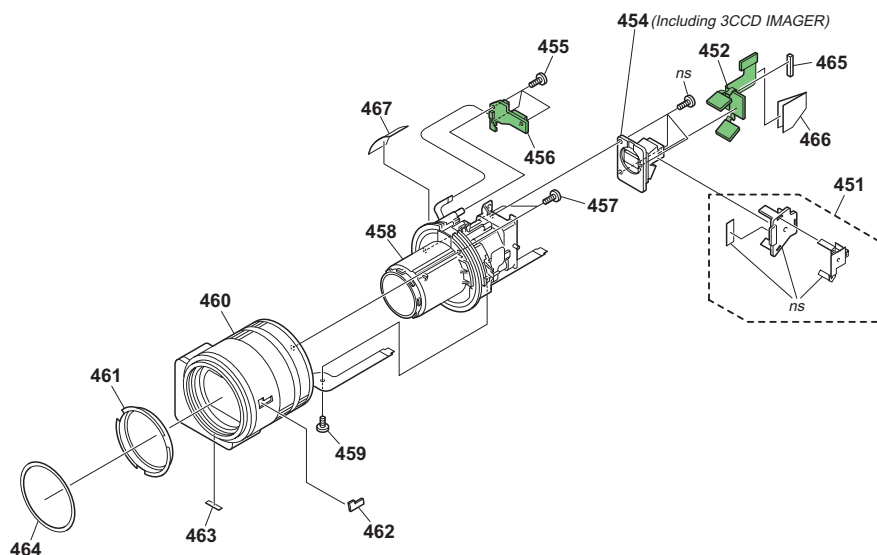
Ref. No.	Part No.	Description
401	X-3954-001-1	FRAME (D) ASSY, CENTER
402	3-060-620-01	BUTTON, IP
403	3-060-621-11	ESCUTCHEON
404	3-060-622-01	KNOB, MF
405	3-060-619-01	KNOB, ND
406	3-060-623-01	COVER, BUTTON
407	3-080-202-21	SCREW(M2),LOCK ACE,P2

Ref. No.	Part No.	Description
408	1-678-056-31	FP-188 FLEXIBLE BOARD
409	3-060-685-01	COVER, CCD
410	3-080-205-21	SCREW,TAPPING,P2
411	3-072-453-01	O PLATE +P2 MAIN M2EG GRIP
412	3-060-795-01	TAPE, HARNESS FIXED
413	1-960-654-21	HARNESS (CJ-064)
414	3-080-203-31	SREW(M2),LOCK ACE,P2

5. REPAIR PARTS LIST

5-1-10. LENS BLOCK SECTION

ns : not supplied

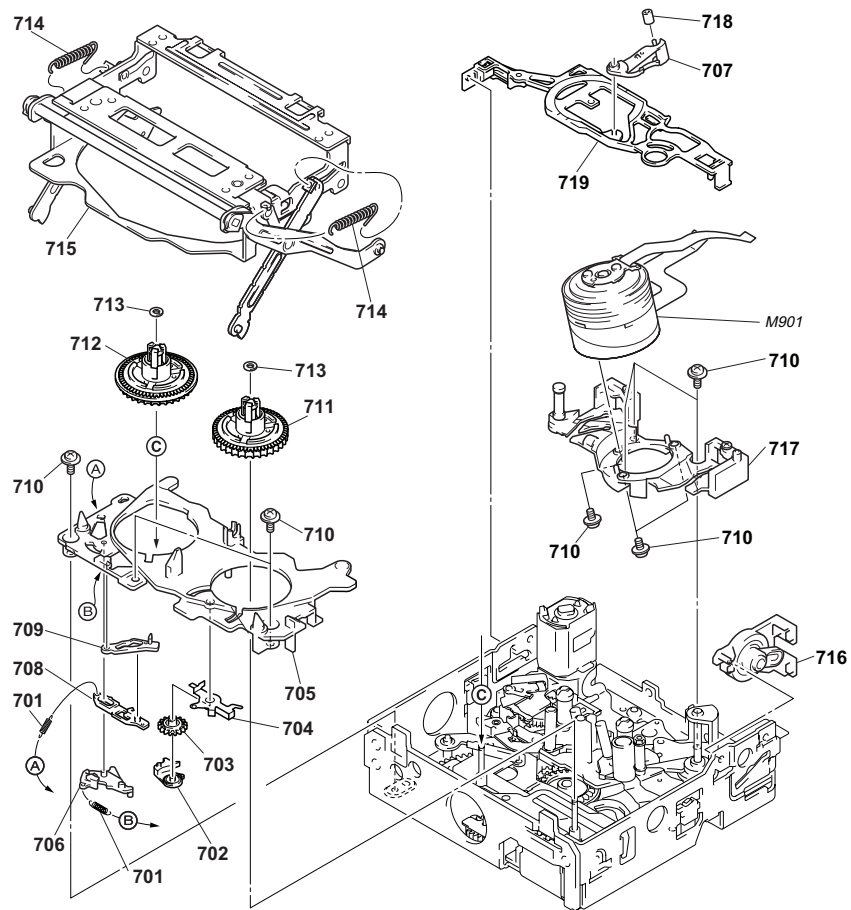


Be sure to read "Precautions upon replacing CCD imager" on page 4-12 when changing the CCD imager.

Ref. No.	Part No.	Description	Ref. No.	Part No.	Description
451	X-3950-586-1	COVER ASSY, PRISM	459	3-713-791-91	SCREW (M1.7)
452	A-7078-938-A	CD-512 BOARD, COMPLETE	460	3-709-595-41	VAP ASSY (B114A)
454	A-7031-100-A	PRISM ASSY (SERVICE) (INCLUDING 3CCD IMAGER) (PD170)	461	3-709-594-01	RING ASSY, GLASS ORNAMENTAL
454	A-7031-101-A	PRISM ASSY (SERVICE) (INCLUDING 3CCD IMAGER) (PD170P/PD190P)	462	3-963-933-01	EMBLEM, CCD
455	3-080-205-21	SCREW, TAPPING, P2	463	3-062-454-01	FOOT (A), RUBBER
456	A-7078-950-A	SE-147 BOARD, COMPLETE	464	3-060-681-01	RING, NAME
457	3-948-339-31	SCREW, TAPPING P2	* 465	3-053-354-01	CUSHION, CD FLEXIBLE
458	3-709-596-01	LENS ASSY, ZOOM	* 466	3-062-778-01	SHEET (CD)
			467	3-060-795-01	TAPE, HARNESS FIXED

5. REPAIR PARTS LIST

5-1-11. CASSETTE COMPARTMENT, DRUM AND REEL TABLE ASSEMBLY



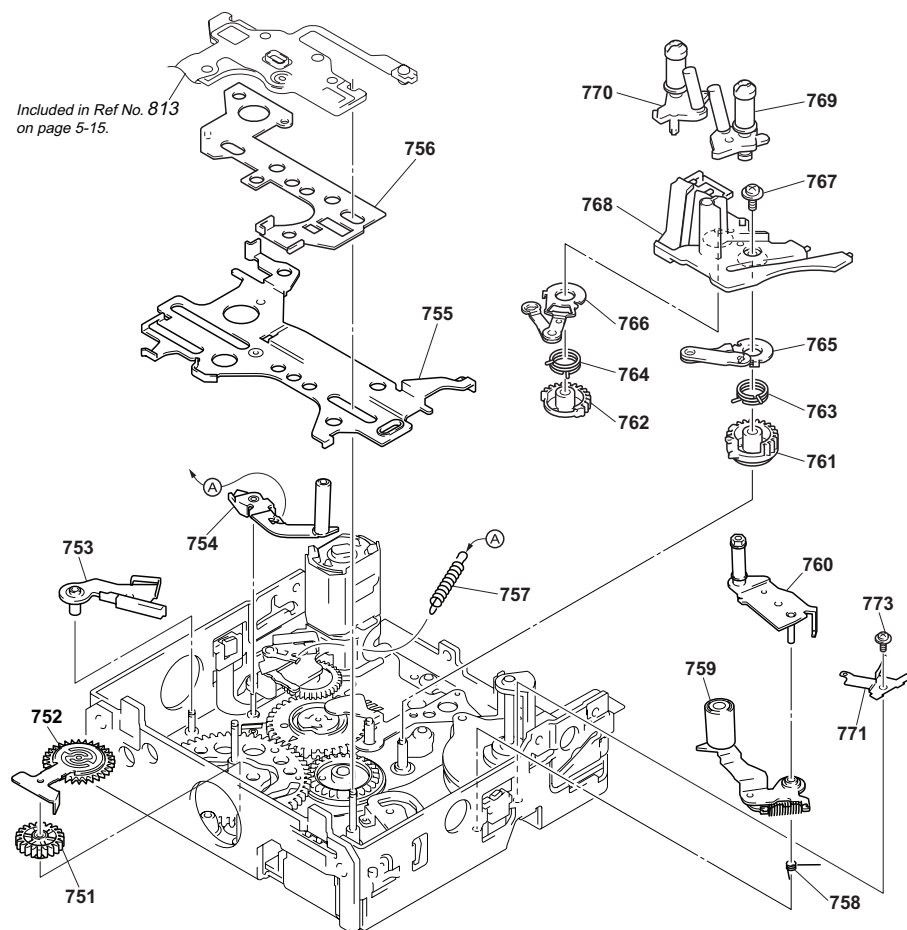
Ref. No.	Part No.	Description
701	3-988-312-01	SPRING, EXTENSION
702	3-988-220-01	BRAKE (T)
703	3-988-221-01	GEAR (T), BRAKE
704	3-988-222-01	SPRING (T), BRAKE
705	3-988-215-02	BASE, CASSETTE
706	3-988-217-01	ARM (S), RESET
707	3-988-281-02	ARM, HC
708	3-988-219-01	RACK (S), BRAKE
709	3-988-218-01	BRAKE (S)
710	3-947-503-01	SCREW (M1.4)

Ref. No.	Part No.	Description
711	X-3948-445-7	TABLE (T) ASSY, REEL
712	X-3948-444-1	TABLE (S) ASSY, REEL
713	3-989-465-01	WASHER, STOPPER
714	3-988-298-01	SPRING EXTENSION
715	X-3948-441-9	CASSETTE COMPARTMENT ASSY
716	X-3948-443-2	DAMPER ASSY
717	A-7093-612-A	DRUM BASE BLOCK ASSY
718	3-988-282-01	ROLLER, HC
719	3-988-283-01	STOPPER, TAPE FALL
M901	A-4900-081-A	DRUM (DEH-14B/J-RP) (SERVICE)

DSR-PD170/PD170P/PD190P

5. REPAIR PARTS LIST

5-1-12. TAPE GUIDE, PINCH SLIDER ASSEMBLY AND BRAKE SLIDER ASSEMBLY

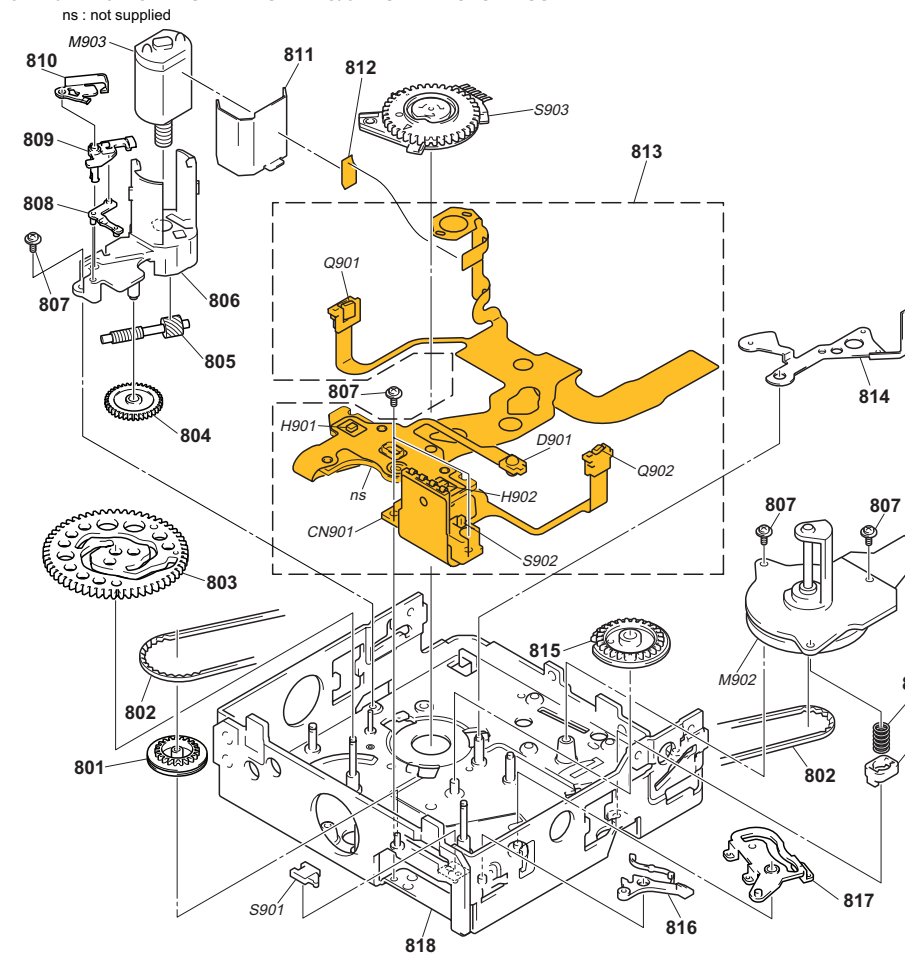


Ref. No.	Part No.	Description
751	3-988-263-01	GEAR, RELAY
752	X-3948-442-2	GEAR ASSY, GOOSENECK
753	X-3948-435-2	PLATE ASSY, TG1 ADJUSTMENT
754	X-3948-434-1	ARM ASSY, TG1
755	X-3948-428-5	SLIDER ASSY, PINCH
756	X-3948-766-1	SLIDER ASSY, BRAKE
757	3-988-270-01	SPRING (TG1), TENSION COIL
758	3-988-233-01	SPRING (TG7LD), TORSION
759	X-3948-433-2	ARM ASSY, PINCH
760	A-7093-501-A	ARM BLOCK ASSY, TG7
761	3-988-257-02	GEAR (T), GL

Ref. No.	Part No.	Description
762	3-988-252-03	GEAR (S), GL
763	3-988-258-01	SPRING (GLT), TORSION
764	3-988-253-01	SPRING (GLS), TORSION
765	X-3948-440-1	ARM (T) ASSY, GL
766	X-3948-439-3	ARM (S) ASSY, GL
767	3-947-503-01	SCREW (M1.4)
768	3-988-242-01	RAIL, GUIDE
769	X-3948-438-3	COASTER (T) ASSY
770	X-3948-934-4	COASTER (S2) ASSY
771	3-988-690-02	SPRING, TG7 RETAINER
773	3-053-083-01	SCREW

5. REPAIR PARTS LIST

5-1-13. EACH GEARS AND LOADING/CAPSTAN MOTOR ASSEMBLY



Ref. No.	Part No.	Description	Ref. No.	Part No.	Description
801	3-988-274-01	PULLEY, CONVERSION	817	3-988-224-01	ARM, PINCH PRESS
802	3-988-276-02	BELT, TIMING	818	X-3948-431-2	CHASSIS ASSY
803	3-988-216-01	GEAR, CAM	819	3-050-170-01	HOLDER
804	3-988-211-01	GEAR, DECELERATION	820	3-051-787-02	SPRING (CAP), COMPRESSION COIL
805	3-988-210-01	SHAFT, WORM	CN901	1-784-723-11	PIN, CONNECTOR 4P
806	3-988-207-01	HOLDER, MOTOR	D901	8-719-067-13	DIODE GL453K
807	3-947-503-01	SCREW (M1.4)	H901	8-719-061-28	DIODE HW-105C-FT-V (S REEL)
808	3-988-303-01	ARM, SPRING HOOK DRIVING	H902	8-719-061-28	DIODE HW-105C-FT-V (T REEL)
809	3-988-271-01	BASE, SPRING HOOK FULCRUM	Q901	6-600-109-01	PHOTO TRANSISTOR PT4800FB (TAPE E
810	3-988-302-01	HOOK, TG1 SPRING	Q902	6-600-109-01	PHOTO TRANSISTOR PT4800FB (TAPE T
811	3-988-208-01	SHIELD, MOTOR	S901	1-771-039-51	SWITCH, PUSH (REC PROOF)
812	1-657-785-11	FP-248 FLEXIBLE BOARD (DEW SENSOR)	S902	1-572-719-32	SWITCH, PUSH (1 KEY) (C IN)
813	A-7073-418-A	FP-594 FLEXIBLE BOARD, COMPLETE	S903	1-771-325-11	ENCODER, ROTARY (SWITCH) (MODE)
814	3-988-280-03	ARM, HC DRIVING	M902	8-835-606-01	MOTOR, DC SCD15A/C-NP (CAPSTAN)
815	3-988-239-01	GEAR, GL DRIVING	M903	X-3948-346-1	MOTOR ASSY, L (LOADING)
816	3-988-223-01	ARM, EJECT			

DSR-PD170/PD170P/PD190P

CD-512 **CK-140**

5-2. ELECTRICAL PARTS LIST

Ref. No.	Part No.	Description
	A-7078-938-A	CD-512 BOARD, COMPLETE ***** (IC100,IC101,IC102 are not included in this completed board.) (IC100,IC101,IC102 are included in PRISM ASSY.) (A-7031-100-A is supplied with VX2100 and A-7031-101-A is supplied with VX2100E.)
		< CAPACITOR >
C100	1-107-826-11	CERAMIC CHIP 0.1uF 10.00% 16V
C101	1-107-826-11	CERAMIC CHIP 0.1uF 10.00% 16V
C102	1-119-751-11	TANTAL. CHIP 22uF 20.00% 16V
C103	1-119-751-11	TANTAL. CHIP 22uF 20.00% 16V
C104	1-127-760-11	CERAMIC CHIP 4.7uF 10% 6.3V
C105	1-127-760-11	CERAMIC CHIP 4.7uF 10% 6.3V
C108	1-117-919-11	TANTAL. CHIP 10uF 20.00% 6.3V
C109	1-107-686-11	TANTAL. CHIP 4.7uF 20.00% 16V
C110	1-127-760-11	CERAMIC CHIP 4.7uF 10% 6.3V
C111	1-125-777-11	CERAMIC CHIP 0.1uF 10.00% 10V
C112	1-107-686-11	TANTAL. CHIP 4.7uF 20.00% 16V
C113	1-117-919-11	TANTAL. CHIP 10uF 20.00% 6.3V
C114	1-107-686-11	TANTAL. CHIP 4.7uF 20.00% 16V
C115	1-117-919-11	TANTAL. CHIP 10uF 20.00% 6.3V
C117	1-125-777-11	CERAMIC CHIP 0.1uF 10.00% 10V
C118	1-125-777-11	CERAMIC CHIP 0.1uF 10.00% 10V
C119	1-119-751-11	TANTAL. CHIP 22uF 20.00% 16V
C120	1-107-826-11	CERAMIC CHIP 0.1uF 10.00% 16V
C130	1-107-826-11	CERAMIC CHIP 0.1uF 10.00% 16V
C131	1-162-966-11	CERAMIC CHIP 0.0022uF 10% 50V
C132	1-107-826-11	CERAMIC CHIP 0.1uF 10.00% 16V
C133	1-162-966-11	CERAMIC CHIP 0.0022uF 10% 50V
C134	1-162-966-11	CERAMIC CHIP 0.0022uF 10% 50V
C135	1-107-826-11	CERAMIC CHIP 0.1uF 10.00% 16V
		< CONNECTOR >
CN100	1-778-078-21	CONNECTOR, BOARD TO BOARD 50P
		< IC >
IC100	not supplied	CCD IMAGER (ICX246AL-13) (VX2100)
IC100	not supplied	CCD IMAGER (ICX247AL-13) (VX2100E)
IC101	not supplied	CCD IMAGER (ICX246AL-13) (VX2100)
IC101	not supplied	CCD IMAGER (ICX247AL-13) (VX2100E)
IC102	not supplied	CCD IMAGER (ICX246AL-13) (VX2100)
IC102	not supplied	CCD IMAGER (ICX247AL-13) (VX2100E)
IC103	8-759-561-46	IC AD8014ARTZ-REEL7
IC104	8-759-561-46	IC AD8014ARTZ-REEL7
IC105	8-759-561-46	IC AD8014ARTZ-REEL7
		< COIL >
L100	1-412-963-11	INDUCTOR 100uH
L101	1-412-963-11	INDUCTOR 100uH
L104	1-412-963-11	INDUCTOR 100uH
L105	1-412-963-11	INDUCTOR 100uH
L106	1-412-963-11	INDUCTOR 100uH
L107	1-412-963-11	INDUCTOR 100uH

Be sure to read "Precautions upon replacing CCD imager" on page 4-12 when changing the CCD imager.

Ref. No.	Part No.	Description
		< RESISTOR >
R100	1-218-962-11	RES-CHIP 5.6K 5% 1/16W
R101	1-218-961-11	RES-CHIP 4.7K 5% 1/16W
R102	1-218-962-11	RES-CHIP 5.6K 5% 1/16W
R103	1-218-961-11	RES-CHIP 4.7K 5% 1/16W
R104	1-218-961-11	RES-CHIP 4.7K 5% 1/16W
R105	1-218-962-11	RES-CHIP 5.6K 5% 1/16W
R106	1-218-953-11	RES-CHIP 1K 5% 1/16W
R107	1-218-940-11	RES-CHIP 82 5% 1/16W
R108	1-218-953-11	RES-CHIP 1K 5% 1/16W
R109	1-218-940-11	RES-CHIP 82 5% 1/16W
R110	1-218-953-11	RES-CHIP 1K 5% 1/16W
R111	1-218-940-11	RES-CHIP 82 5% 1/16W
R112	1-220-210-11	RES-CHIP 200K 5% 1/16W
R113	1-220-210-11	RES-CHIP 200K 5% 1/16W
R114	1-220-210-11	RES-CHIP 200K 5% 1/16W
	A-7078-940-A	CK-140 BOARD, COMPLETE *****
	3-051-919-01	SHEET, LI PROTECTION
		< CONNECTOR >
CN250	1-784-995-21	CONNECTOR, BOARD TO BOARD 50P
CN251	1-794-378-21	PIN, CONNECTOR 14P
CN252	1-794-377-21	PIN, CONNECTOR 8P
CN253	1-794-057-21	PIN, CONNECTOR (PC BOARD) 2P
CN254	1-766-335-21	CONNECTOR, FFC/FPC 5P
CN255	1-779-327-11	CONNECTOR, FFC/FPC 6P
CN256	1-779-327-11	CONNECTOR, FFC/FPC 6P
		< DIODE >
D250	8-719-064-61	DIODE 01BZA8.2(TE85L)
D251	8-719-064-61	DIODE 01BZA8.2(TE85L)
D252	8-719-073-03	DIODE MA8082-(K8),SO
D253	8-719-064-61	DIODE 01BZA8.2(TE85L)
D254	8-719-064-61	DIODE 01BZA8.2(TE85L)
D255	8-719-064-61	DIODE 01BZA8.2(TE85L)
		< RESISTOR >
R255	1-218-954-11	RES-CHIP 1.2K 5% 1/16W
R256	1-218-954-11	RES-CHIP 1.2K 5% 1/16W
R257	1-218-954-11	RES-CHIP 1.2K 5% 1/16W
R258	1-218-955-11	RES-CHIP 1.5K 5% 1/16W
R259	1-218-955-11	RES-CHIP 1.5K 5% 1/16W
R260	1-218-955-11	RES-CHIP 1.5K 5% 1/16W
R261	1-218-959-11	RES-CHIP 3.3K 5% 1/16W
R262	1-218-959-11	RES-CHIP 3.3K 5% 1/16W
R263	1-218-959-11	RES-CHIP 3.3K 5% 1/16W
R264	1-218-963-11	RES-CHIP 6.8K 5% 1/16W
R265	1-218-963-11	RES-CHIP 6.8K 5% 1/16W
R266	1-218-963-11	RES-CHIP 6.8K 5% 1/16W
R267	1-218-969-11	RES-CHIP 22K 5% 1/16W
R268	1-218-969-11	RES-CHIP 22K 5% 1/16W
R269	1-218-969-11	RES-CHIP 22K 5% 1/16W

Ref. No.	Part No.	Description	Ref. No.	Part No.	Description
		< SWITCH >			
S250	1-771-138-82	SWITCH, KEY BOARD (TITLE)	C341	1-127-760-11	CERAMIC CHIP 4.7uF 10% 6.3V
S251	1-771-138-82	SWITCH, KEY BOARD (DISPLAY)	C342	1-127-760-11	CERAMIC CHIP 4.7uF 10% 6.3V
S252	1-771-138-82	SWITCH, KEY BOARD (MEMORY INDEX)	C343	1-127-760-11	CERAMIC CHIP 4.7uF 10% 6.3V
S253	1-771-138-82	SWITCH, KEY BOARD (TC/U-BIT)	C344	1-127-760-11	CERAMIC CHIP 4.7uF 10% 6.3V
S254	1-771-138-82	SWITCH, KEY BOARD (MEMORY+)	C345	1-127-760-11	CERAMIC CHIP 4.7uF 10% 6.3V
S255	1-771-138-82	SWITCH, KEY BOARD (DIGITAL EFFECT)	C346	1-127-820-11	CERAMIC CHIP 4.7uF 10% 16V
S256	1-771-138-82	SWITCH, KEY BOARD (RESET)	C347	1-164-505-11	CERAMIC CHIP 2.2uF 10% 16V
S257	1-771-138-82	SWITCH, KEY BOARD (MEMORY-)	C349	1-127-820-11	CERAMIC CHIP 4.7uF 10% 16V
S258	1-771-138-82	SWITCH, KEY BOARD (MENU)	C350	1-113-985-11	TANTAL. CHIP 10uF 20% 20V
S259	1-771-138-82	SWITCH, KEY BOARD (MEMORY DELETE)	C351	1-117-919-11	TANTAL. CHIP 10uF 20% 6.3V
S260	1-771-138-82	SWITCH, KEY BOARD (MEMORY MIX)	C352	1-117-919-11	TANTAL. CHIP 10uF 20% 6.3V
S261	1-771-138-82	SWITCH, KEY BOARD (DATA CODE)	C353	1-104-851-11	TANTAL. CHIP 10uF 20% 10V
S262	1-771-138-82	SWITCH, KEY BOARD (MEMORY PLAY)	C354	1-104-852-11	22uF 20% 10V
S263	1-762-648-21	SWITCH, SLIDE (ZEBRA/OFF/70/100)	C355	1-104-851-11	TANTAL. CHIP 10uF 20% 10V
			C356	1-117-919-11	TANTAL. CHIP 10uF 20% 6.3V
	A-7078-957-A	DD-216D BOARD, COMPLETE *****	C357	1-117-919-11	TANTAL. CHIP 10uF 20% 6.3V
		< CAPACITOR >	C358	1-117-919-11	TANTAL. CHIP 10uF 20% 6.3V
C300	1-107-819-11	CERAMIC CHIP 0.022uF 10% 16V	C359	1-135-259-11	TANTAL. CHIP 10uF 20% 6.3V
C301	1-125-777-11	CERAMIC CHIP 0.1uF 10% 10V	C360	1-104-851-11	TANTAL. CHIP 10uF 20% 10V
C302	1-119-923-11	CERAMIC CHIP 0.047uF 10% 10V	C361	1-110-569-11	TANTAL. CHIP 47uF 20% 6.3V
C303	1-119-923-11	CERAMIC CHIP 0.047uF 10% 10V	C362	1-109-982-11	CERAMIC CHIP 1uF 10% 10V
C304	1-164-939-11	CERAMIC CHIP 0.0022uF 10% 50V	C363	1-104-851-11	TANTAL. CHIP 10uF 20% 10V
C305	1-164-943-11	CERAMIC CHIP 0.01uF 10% 16V	C364	1-135-214-21	TANTAL. CHIP 4.7uF 20% 20V
C307	1-125-777-11	CERAMIC CHIP 0.1uF 10% 10V	C365	1-135-214-21	TANTAL. CHIP 4.7uF 20% 20V
C308	1-119-751-11	TANTAL. CHIP 22uF 20% 16V	C366	1-113-985-11	TANTAL. CHIP 10uF 20% 20V
C309	1-164-874-11	CERAMIC CHIP 100PF 5% 50V	C367	1-125-777-11	CERAMIC CHIP 0.1uF 10% 10V
C310	1-119-751-11	TANTAL. CHIP 22uF 20% 16V	C368	1-135-259-11	TANTAL. CHIP 10uF 20% 6.3V
C311	1-164-935-11	CERAMIC CHIP 470PF 10% 50V	C369	1-164-505-11	CERAMIC CHIP 2.2uF 10% 16V
C312	1-119-923-11	CERAMIC CHIP 0.047uF 10% 10V	C370	1-164-505-11	CERAMIC CHIP 2.2uF 10% 16V
C313	1-104-913-11	TANTAL. CHIP 10uF 20% 16V	C371	1-113-985-11	TANTAL. CHIP 10uF 20% 20V
C314	1-119-751-11	TANTAL. CHIP 22uF 20% 16V	C372	1-113-985-11	TANTAL. CHIP 10uF 20% 20V
C315	1-164-937-11	CERAMIC CHIP 0.001uF 10% 50V	C373	1-104-851-11	TANTAL. CHIP 10uF 20% 10V
C316	1-119-751-11	TANTAL. CHIP 22uF 20% 16V	C375	1-113-985-11	TANTAL. CHIP 10uF 20% 20V
C317	1-164-939-11	CERAMIC CHIP 0.0022uF 10% 50V	C376	1-135-212-21	TANTAL. CHIP 2.2uF 20% 35V
C318	1-164-935-11	CERAMIC CHIP 470PF 10% 50V	C450	1-115-566-11	CERAMIC CHIP 4.7uF 10% 10V
C319	1-164-937-11	CERAMIC CHIP 0.001uF 10% 50V			< CONNECTOR >
C320	1-164-933-11	CERAMIC CHIP 220PF 10% 50V	CN300	1-573-290-21	PIN, CONNECTOR (1.5MM) (SMD) 4P
C321	1-164-874-11	CERAMIC CHIP 100PF 5% 50V	CN301	1-691-550-11	PIN, CONNECTOR (1.5MM) (SMD) 3P
C322	1-109-982-11	CERAMIC CHIP 1uF 10% 10V	CN450	1-778-084-11	CONNECTOR, BOARD TO BOARD 60P
C323	1-127-760-11	CERAMIC CHIP 4.7uF 10% 6.3V			< DIODE >
C324	1-127-760-11	CERAMIC CHIP 4.7uF 10% 6.3V	D300	8-719-158-49	DIODE RD12SB2
C325	1-164-940-11	CERAMIC CHIP 0.0033uF 10% 16V	D301	8-719-073-03	DIODE MA8082-(K8).S0
C326	1-109-982-11	CERAMIC CHIP 1uF 10% 10V	D302	8-719-073-03	DIODE MA8082-(K8).S0
C327	1-164-939-11	CERAMIC CHIP 0.0022uF 10% 50V	D303	8-719-073-03	DIODE MA8082-(K8).S0
C328	1-164-940-11	CERAMIC CHIP 0.0033uF 10% 16V	D304	8-719-056-48	DIODE 1SS388 (TPL3)
C329	1-164-940-11	CERAMIC CHIP 0.0033uF 10% 16V	D305	8-719-058-24	DIODE RB501V-40TE-17
C330	1-164-940-11	CERAMIC CHIP 0.0033uF 10% 16V	D306	8-719-058-24	DIODE RB501V-40TE-17
C331	1-164-940-11	CERAMIC CHIP 0.0033uF 10% 16V	D307	8-719-058-24	DIODE RB501V-40TE-17
C332	1-164-940-11	CERAMIC CHIP 0.0033uF 10% 16V	D308	8-719-056-48	DIODE 1SS388 (TPL3)
C333	1-115-566-11	CERAMIC CHIP 4.7uF 10% 10V	D309	8-719-056-48	DIODE 1SS388 (TPL3)
C334	1-115-566-11	CERAMIC CHIP 4.7uF 10% 10V	D311	8-719-056-48	DIODE 1SS388 (TPL3)
C335	1-115-566-11	CERAMIC CHIP 4.7uF 10% 10V	D312	8-719-056-48	DIODE 1SS388 (TPL3)
C336	1-115-566-11	CERAMIC CHIP 4.7uF 10% 10V	D313	8-719-056-48	DIODE 1SS388 (TPL3)
C337	1-115-566-11	CERAMIC CHIP 4.7uF 10% 10V	D314	8-719-056-23	DIODE MA2S111-(K8).S0
C338	1-125-777-11	CERAMIC CHIP 0.1uF 10% 10V	D315	8-719-075-12	DIODE MA3XD21001S0
C339	1-104-851-11	TANTAL. CHIP 10uF 20% 10V	D316	8-719-056-23	DIODE MA2S111-(K8).S0
C340	1-127-760-11	CERAMIC CHIP 4.7uF 10% 6.3V			

DSR-PD170/PD170P/PD190P

DD-216D

Ref. No.	Part No.	Description	Ref. No.	Part No.	Description
		< FUSE >			
△ F300	1-576-286-21	FUSE 1.4A/24V	Q320	8-729-044-58	TRANSISTOR SI2304DS-T1
△ F301	1-576-286-21	FUSE 1.4A/24V	Q321	8-729-044-58	TRANSISTOR SI2304DS-T1
△ F302	1-576-286-21	FUSE 1.4A/24V	Q322	8-729-044-58	TRANSISTOR SI2304DS-T1
△ F303	1-576-286-21	FUSE 1.4A/24V	Q323	8-729-044-58	TRANSISTOR SI2304DS-T1
△ F304	1-576-286-21	FUSE 1.4A/24V	Q324	8-729-037-52	TRANSISTOR 2SD2216J-QR (TX).SO
△ F305	1-576-286-21	FUSE 1.4A/24V	Q325	8-729-037-74	TRANSISTOR UN9213J-(TX).SO
		< IC >	Q326	8-729-037-52	TRANSISTOR 2SD2216J-QR (TX).SO
IC300	8-759-491-09	IC MB4488PFV-G-BND-ER	Q327	8-729-037-52	TRANSISTOR 2SD2216J-QR (TX).SO
IC301	8-759-075-66	IC TA75S01F	Q328	8-729-042-26	TRANSISTOR 2SB1462J-QR (K8).SO
		< COIL >	Q329	8-729-037-74	TRANSISTOR UN9213J-(TX).SO
L300	1-416-669-11	INDUCTOR 22uH	Q331	8-729-042-26	TRANSISTOR 2SB1462J-QR (K8).SO
L301	1-416-670-11	INDUCTOR 33uH	Q332	8-729-042-26	TRANSISTOR 2SB1462J-QR (K8).SO
L302	1-416-669-11	INDUCTOR 22uH	Q333	8-729-042-26	TRANSISTOR 2SB1462J-QR (K8).SO
L303	1-416-669-11	INDUCTOR 22uH	Q334	8-729-049-25	TRANSISTOR 2SC5376F-B (TPL3)
L304	1-416-669-11	INDUCTOR 22uH	Q335	8-729-037-52	TRANSISTOR 2SD2216J-QR (TX).SO
L305	1-416-669-11	INDUCTOR 22uH	Q336	8-729-037-52	TRANSISTOR 2SD2216J-QR (TX).SO
L306	1-412-056-11	INDUCTOR 4.7uH	Q337	8-729-037-52	TRANSISTOR 2SD2216J-QR (TX).SO
L307	1-414-770-91	INDUCTOR 4.7uH	Q338	8-729-042-26	TRANSISTOR 2SB1462J-QR (K8).SO
L308	1-412-056-11	INDUCTOR 4.7uH	Q339	6-550-037-01	TRANSISTOR NTGS3455T1
L309	1-414-400-11	INDUCTOR 22uH	Q340	8-729-037-52	TRANSISTOR 2SD2216J-QR (TX).SO
L310	1-414-770-91	INDUCTOR 4.7uH	Q341	8-729-049-91	TRANSISTOR 2SA2018H-T2L
L311	1-414-770-91	INDUCTOR 4.7uH	Q344	8-729-037-52	TRANSISTOR 2SD2216J-QR (TX).SO
L312	1-412-056-11	INDUCTOR 4.7uH	Q345	8-729-034-59	TRANSISTOR 2SA1745-6.7-TL
L313	1-414-770-91	INDUCTOR 4.7uH	Q348	8-729-037-52	TRANSISTOR 2SD2216J-QR (TX).SO
L314	1-414-770-91	INDUCTOR 4.7uH	Q349	8-729-042-26	TRANSISTOR 2SB1462J-QR (K8).SO
L315	1-414-394-11	INDUCTOR 2.2uH	Q351	8-729-037-52	TRANSISTOR 2SD2216J-QR (TX).SO
L316	1-414-770-91	INDUCTOR 4.7uH			< RESISTOR >
L317	1-469-058-11	INDUCTOR 22uH	R300	1-218-953-11	RES-CHIP 1K 5% 1/16W
L318	1-469-058-11	INDUCTOR 22uH	R301	1-216-296-11	SHORT CHIP 0
L319	1-414-770-91	INDUCTOR 4.7uH	R302	1-216-296-11	SHORT CHIP 0
L451	1-414-770-91	INDUCTOR 4.7uH	R303	1-218-985-11	RES-CHIP 470K 5% 1/16W
		< TRANSISTOR >	R304	1-218-989-11	RES-CHIP 1M 5% 1/16W
Q300	8-729-047-68	TRANSISTOR SSM3K03FE (TPL3)	R305	1-218-969-11	RES-CHIP 22K 5% 1/16W
Q301	8-729-046-77	TRANSISTOR SI4963DY-T1	R306	1-216-150-91	RES-CHIP 10 5% 1/8W
Q302	8-729-804-41	TRANSISTOR 2SB1122-S	R307	1-218-969-11	RES-CHIP 22K 5% 1/16W
Q303	8-729-037-74	TRANSISTOR UN9213J-(TX).SO	R308	1-218-969-11	RES-CHIP 22K 5% 1/16W
Q304	8-729-047-68	TRANSISTOR SSM3K03FE (TPL3)	R309	1-218-969-11	RES-CHIP 22K 5% 1/16W
Q305	8-729-050-24	TRANSISTOR MCH6202-TL-E	R310	1-218-953-11	RES-CHIP 1K 5% 1/16W
Q306	8-729-042-26	TRANSISTOR 2SB1462J-QR (K8).SO	R311	1-218-961-11	RES-CHIP 4.7K 5% 1/16W
Q307	8-729-037-74	TRANSISTOR UN9213J-(TX).SO	R312	1-218-969-11	RES-CHIP 22K 5% 1/16W
Q308	8-729-043-60	TRANSISTOR CPH6102-TL-E	R313	1-218-973-11	RES-CHIP 47K 5% 1/16W
Q309	8-729-046-98	TRANSISTOR CPH6702-TL-E	R314	1-218-961-11	RES-CHIP 4.7K 5% 1/16W
Q310	8-729-046-98	TRANSISTOR CPH6702-TL-E	R315	1-218-953-11	RES-CHIP 1K 5% 1/16W
Q311	8-729-046-98	TRANSISTOR CPH6702-TL-E	R316	1-218-969-11	RES-CHIP 22K 5% 1/16W
Q312	8-729-046-98	TRANSISTOR CPH6702-TL-E	R317	1-208-715-11	METAL CHIP 22K 0.5% 1/16W
Q313	8-729-046-98	TRANSISTOR CPH6702-TL-E	R318	1-208-927-11	METAL CHIP 47K 0.5% 1/16W
Q314	8-729-046-98	TRANSISTOR CPH6702-TL-E	R319	1-218-969-11	RES-CHIP 22K 5% 1/16W
Q315	8-729-037-52	TRANSISTOR 2SD2216J-QR (TX).SO	R320	1-218-965-11	RES-CHIP 10K 5% 1/16W
Q316	8-729-017-61	TRANSISTOR 2SB1581	R321	1-208-719-11	METAL CHIP 33K 0.5% 1/16W
Q317	8-729-042-26	TRANSISTOR 2SB1462J-QR (K8).SO	R322	1-218-971-11	RES-CHIP 33K 5% 1/16W
Q318	8-729-044-58	TRANSISTOR SI2304DS-T1	R323	1-218-973-11	RES-CHIP 47K 5% 1/16W
Q319	8-729-044-58	TRANSISTOR SI2304DS-T1	R324	1-218-965-11	RES-CHIP 10K 5% 1/16W

Note : The components identified by mark △ or dotted line with mark △ are critical for safety. Replace only with part number specified.	Note : Les composants identifiés par une marque △ sont critiques pour la sécurité. Ne les remplacer que par une pièce portant le numéro spécifié.
---	---

DSR-PD170/PD170P/PL

DD-216D FK-C

Ref. No.	Part No.	Description				Ref. No.	Part No.	Description			
R325	1-208-927-11	METAL CHIP	47K	0.5%	1/16W	R388	1-218-978-11	RES-CHIP	120K	5%	1/16W
R326	1-218-969-11	RES-CHIP	22K	5%	1/16W	R389	1-208-933-11	METAL CHIP	82K	0.5%	1/16W
R327	1-208-927-11	METAL CHIP	47K	0.5%	1/16W	R390	1-208-699-11	METAL CHIP	4.7K	0.5%	1/16W
R328	1-208-931-11	METAL CHIP	68K	0.5%	1/16W	R391	1-217-671-11	RES-CHIP	1	5%	1/16W
R329	1-218-965-11	RES-CHIP	10K	5%	1/16W	R392	1-217-671-11	RES-CHIP	1	5%	1/16W
R330	1-218-971-11	RES-CHIP	33K	5%	1/16W	R393	1-216-295-91	SHORT CHIP	0		
R331	1-208-715-11	METAL CHIP	22K	0.5%	1/16W	R394	1-216-295-91	SHORT CHIP	0		
R332	1-208-701-11	METAL CHIP	5.6K	0.5%	1/16W	R396	1-218-990-11	SHORT CHIP	0		
R333	1-218-974-11	RES-CHIP	56K	5%	1/16W	R397	1-218-982-11	RES-CHIP	270K	5%	1/16W
R334	1-218-974-11	RES-CHIP	56K	5%	1/16W	R399	1-216-295-91	SHORT CHIP	0		
R335	1-208-715-11	METAL CHIP	22K	0.5%	1/16W	R400	1-218-961-11	RES-CHIP	4.7K	5%	1/16W
R336	1-208-935-11	METAL CHIP	100K	0.5%	1/16W	R401	1-218-953-11	RES-CHIP	1K	5%	1/16W
R337	1-218-945-11	RES-CHIP	220	5%	1/16W	R456	1-218-990-11	SHORT CHIP	0		
R338	1-208-912-11	METAL CHIP	11K	0.5%	1/16W						
R339	1-208-697-11	METAL CHIP	3.9K	0.5%	1/16W			< TRANSFORMER >			
R340	1-208-697-11	METAL CHIP	3.9K	0.5%	1/16W	T300	1-435-456-21	TRANSFORMER, DC-DC CONVERTER			
R341	1-208-943-11	METAL CHIP	220K	0.5%	1/16W	T301	1-435-518-21	TRANSFORMER, DC-DC CONVERTER			
R342	1-218-941-81	RES-CHIP	100	5%	1/16W						
R343	1-218-941-81	RES-CHIP	100	5%	1/16W						
R344	1-218-937-11	RES-CHIP	47	5%	1/16W			A-7078-942-A FK-088 BOARD, COMPLETE			
R345	1-218-941-81	RES-CHIP	100	5%	1/16W			*****			
R346	1-218-953-11	RES-CHIP	1K	5%	1/16W			< CONNECTOR >			
R347	1-218-953-11	RES-CHIP	1K	5%	1/16W						
R348	1-218-941-81	RES-CHIP	100	5%	1/16W	CN500	1-785-902-21	CONNECTOR, FFC/FPC (ZIF) 23P			
R349	1-218-941-81	RES-CHIP	100	5%	1/16W	CN501	1-815-438-11	CONNECTOR, BOARD TO BOARD 40P			
R350	1-218-973-11	RES-CHIP	47K	5%	1/16W	CN502	1-784-420-11	CONNECTOR, FFC/FPC (ZIF) 21P			
R351	1-218-965-11	RES-CHIP	10K	5%	1/16W			< DIODE >			
R352	1-218-970-11	RES-CHIP	27K	5%	1/16W	D500	8-719-061-81	DIODE TLYU1002(TPX1,SONY)			
R353	1-208-687-11	METAL CHIP	1.5K	0.5%	1/16W	D501	8-719-061-81	DIODE TLYU1002(TPX1,SONY)			
R354	1-208-719-11	METAL CHIP	33K	0.5%	1/16W	D502	8-719-061-81	DIODE TLYU1002(TPX1,SONY)			
R355	1-218-973-11	RES-CHIP	47K	5%	1/16W	D503	8-719-061-81	DIODE TLYU1002(TPX1,SONY)			
R356	1-218-969-11	RES-CHIP	22K	5%	1/16W	D504	8-719-061-81	DIODE TLYU1002(TPX1,SONY)			
R358	1-218-977-11	RES-CHIP	100K	5%	1/16W	D505	8-719-061-81	DIODE TLYU1002(TPX1,SONY)			
R359	1-218-973-11	RES-CHIP	47K	5%	1/16W	D506	8-719-061-81	DIODE TLYU1002(TPX1,SONY)			
R360	1-218-973-11	RES-CHIP	47K	5%	1/16W	D507	8-719-061-81	DIODE TLYU1002(TPX1,SONY)			
R361	1-218-969-11	RES-CHIP	22K	5%	1/16W	D508	8-719-061-81	DIODE TLYU1002(TPX1,SONY)			
R362	1-218-973-11	RES-CHIP	47K	5%	1/16W	D509	8-719-061-81	DIODE TLYU1002(TPX1,SONY)			
R363	1-218-965-11	RES-CHIP	10K	5%	1/16W	D510	8-719-061-81	DIODE TLYU1002(TPX1,SONY)			
R364	1-218-989-11	RES-CHIP	1M	5%	1/16W	D511	8-719-061-81	DIODE TLYU1002(TPX1,SONY)			
R365	1-218-973-11	RES-CHIP	47K	5%	1/16W	D512	8-719-062-16	DIODE 01ZA8.2(TPL3)			
R366	1-218-978-11	RES-CHIP	120K	5%	1/16W			< RESISTOR >			
R367	1-208-939-11	METAL CHIP	150K	0.5%	1/16W	R502	1-218-950-11	RES-CHIP	560	5%	1/16W
R368	1-208-918-81	METAL CHIP	20K	0.5%	1/16W	R503	1-218-954-11	RES-CHIP	1.2K	5%	1/16W
R369	1-218-978-11	RES-CHIP	120K	5%	1/16W	R504	1-218-954-11	RES-CHIP	1.2K	5%	1/16W
R370	1-218-974-11	RES-CHIP	56K	5%	1/16W	R505	1-218-950-11	RES-CHIP	560	5%	1/16W
R371	1-208-713-11	METAL CHIP	18K	0.5%	1/16W	R506	1-218-955-11	RES-CHIP	1.5K	5%	1/16W
R372	1-218-978-11	RES-CHIP	120K	5%	1/16W	R507	1-218-955-11	RES-CHIP	1.5K	5%	1/16W
R373	1-208-909-11	METAL CHIP	8.2K	0.5%	1/16W	R508	1-218-950-11	RES-CHIP	560	5%	1/16W
R374	1-208-943-11	METAL CHIP	220K	0.5%	1/16W	R509	1-218-959-11	RES-CHIP	3.3K	5%	1/16W
R375	1-216-864-11	SHORT CHIP	0			R510	1-218-959-11	RES-CHIP	3.3K	5%	1/16W
R376	1-218-973-11	RES-CHIP	47K	5%	1/16W	R511	1-218-950-11	RES-CHIP	560	5%	1/16W
R377	1-216-864-11	SHORT CHIP	0			R512	1-218-963-11	RES-CHIP	6.8K	5%	1/16W
R378	1-218-973-11	RES-CHIP	47K	5%	1/16W	R513	1-218-963-11	RES-CHIP	6.8K	5%	1/16W
R380	1-218-990-11	SHORT CHIP	0			R514	1-218-950-11	RES-CHIP	560	5%	1/16W
R381	1-218-973-11	RES-CHIP	47K	5%	1/16W	R515	1-218-969-11	RES-CHIP	22K	5%	1/16W
R382	1-208-918-81	METAL CHIP	20K	0.5%	1/16W	R516	1-218-950-11	RES-CHIP	560	5%	1/16W
R383	1-208-935-11	METAL CHIP	100K	0.5%	1/16W	R518	1-218-990-11	SHORT CHIP	0		
R384	1-218-977-11	RES-CHIP	100K	5%	1/16W						
R385	1-218-969-11	RES-CHIP	22K	5%	1/16W						
R386	1-218-949-11	RES-CHIP	470	5%	1/16W						

DSR-PD170/PD170P/PD190P

FK-088

FP-594

HL-013

JK-267

Ref. No.	Part No.	Description
		< SWITCH >
S500	1-771-138-82	SWITCH, KEY BOARD (STOP)
S501	1-771-138-82	SWITCH, KEY BOARD (PAUSE)
S502	1-771-138-82	SWITCH, KEY BOARD (REW)
S503	1-771-138-82	SWITCH, KEY BOARD (FF)
S504	1-771-138-82	SWITCH, KEY BOARD (PLAY)
S505	1-771-138-82	SWITCH, KEY BOARD (SLOW)
S506	1-771-138-82	SWITCH, KEY BOARD (REC)
S507	1-771-138-82	SWITCH, KEY BOARD (REC)
S508	1-771-138-82	SWITCH, KEY BOARD (AUDIO DUB)
S509	1-771-138-82	SWITCH, KEY BOARD (EDIT SEARCH+)
S510	1-771-138-82	SWITCH, KEY BOARD (END SEARCH)
S511	1-771-138-82	SWITCH, KEY BOARD (EDIT SEARCH-)
	A-7073-418-A	FP-594 FLEXIBLE BOARD *****
		< CONNECTOR >
CN901	1-784-723-11	PIN, CONNECTOR 4P
		< DIODE >
D901	8-719-067-13	DIODE GL453K
		< HOLE ELEMENT >
H901	8-719-061-28	DIODE HW-105C-FT-V (S REEL)
H902	8-719-061-28	DIODE HW-105C-FT-V (T REEL)
		< TRANSISTOR >
Q901	6-600-109-01	PHOTO TRAN ISTAR PT4800FB (TAPE END)
Q902	6-600-109-01	PHOTO TRAN ISTAR PT4800FB (TAPE TOP)
		< SWITCH >
S901	1-771-039-51	SWITCH, PUSH (REC PROOF)
S902	1-572-719-32	SWITCH, PUSH (1 KEY) (C IN SW)
S903	1-771-325-11	ENCODER, ROTARY (SWITCH)(MODE)
	A-7078-944-A	HL-013 BOARD, COMPLETE *****
		< CAPACITOR >
C1701	1-107-726-91	CERAMIC CHIP 0.01uF 10% 16V
		< CONNECTOR >
CN1701	1-766-337-21	CONNECTOR, FFC/FPC 7P
CN1702	1-778-711-11	CONNECTOR, FFC/FPC (ZIF) 5P
CN1703	1-573-930-11	CONNECTOR, FFC/FPC (ZIF) 21P
		< DIODE >
D1701	8-719-073-03	DIODE MA8082-(K8).SO
		< IC >
IC1701	8-759-573-02	IC BU9735K-E2

Ref. No.	Part No.	Description
		< RESISTOR >
R1701	1-218-954-11	RES-CHIP 1.2K 5% 1/16W
R1702	1-218-955-11	RES-CHIP 1.5K 5% 1/16W
R1703	1-218-959-11	RES-CHIP 3.3K 5% 1/16W
R1704	1-216-855-11	METAL CHIP 680K 5% 1/16W
	A-7078-952-A	JK-267 BOARD, COMPLETE *****
		< CAPACITOR >
C301	1-164-937-11	CERAMIC CHIP 0.001uF 10.00% 50V
C302	1-164-937-11	CERAMIC CHIP 0.001uF 10.00% 50V
C303	1-164-937-11	CERAMIC CHIP 0.001uF 10.00% 50V
C304	1-164-937-11	CERAMIC CHIP 0.001uF 10.00% 50V
		< CONNECTOR >
CN300	1-785-828-11	CONNECTOR, SQUARE TYPE 4P (DV Interface)
CN301	1-785-433-21	CONNECTOR, BOARD TO BOARD 40P
		< DIODE >
D300	8-719-062-16	DIODE 01ZA8.2(TPL3)
D301	8-719-073-03	DIODE MA8082-(K8).SO
D302	8-719-062-16	DIODE 01ZA8.2(TPL3)
D303	8-719-062-16	DIODE 01ZA8.2(TPL3)
D304	8-719-062-16	DIODE 01ZA8.2(TPL3)
D305	8-719-073-03	DIODE MA8082-(K8).SO
D306	8-719-062-16	DIODE 01ZA8.2(TPL3)
D307	8-719-073-03	DIODE MA8082-(K8).SO
D308	8-719-073-03	DIODE MA8082-(K8).SO
D309	8-719-072-91	DIODE MAZJ200D0LS0
D310	8-719-062-16	DIODE 01ZA8.2(TPL3)
D311	8-719-422-70	DIODE MA8075-TX
D312	8-719-062-16	DIODE 01ZA8.2(TPL3)
D313	8-719-062-16	DIODE 01ZA8.2(TPL3)
D314	8-719-073-03	DIODE MA8082-(K8).SO
D315	6-500-750-01	DIODE NSAD500H-T1-A
		< FERRITE BEAD >
FB300	1-500-444-11	FERRITE OUH
FB301	1-500-444-11	FERRITE OUH
		< JACK >
J300	1-694-713-11	TERMINAL BOARD (VIDEO/AUDIO)
J301	1-566-850-31	CONNECTOR, (S) TERMINAL 4P (S1-VIDEO)
J302	1-563-282-21	JACK, SMALL TYPE (HEADPHONE)
J303	1-793-995-11	JACK, SUPER SMALL TYPE (LANC)
		< COIL >
L301	1-412-963-11	INDUCTOR 100uH
L302	1-412-963-11	INDUCTOR 100uH
		< RESISTOR >
R300	1-216-864-11	METAL CHIP 0 5% 1/16W
R301	1-216-864-11	METAL CHIP 0 5% 1/16W
R302	1-216-864-11	METAL CHIP 0 5% 1/16W
R303	1-216-864-11	METAL CHIP 0 5% 1/16W
R304	1-216-864-11	METAL CHIP 0 5% 1/16W

DSR-PD170/PD170P/PL

JK-267 KP-013 LA-C

Ref. No.	Part No.	Description			
R305	1-216-864-11	METAL CHIP	0	5%	1/16W
R306	1-216-864-11	METAL CHIP	0	5%	1/16W
R307	1-216-864-11	METAL CHIP	0	5%	1/16W
R308	1-216-864-11	METAL CHIP	0	5%	1/16W
R309	1-216-864-11	METAL CHIP	0	5%	1/16W
R311	1-216-864-11	METAL CHIP	0	5%	1/16W
R312	1-216-864-11	METAL CHIP	0	5%	1/16W
R313	1-216-864-11	METAL CHIP	0	5%	1/16W
R314	1-216-864-11	METAL CHIP	0	5%	1/16W
R315	1-216-864-11	METAL CHIP	0	5%	1/16W
R316	1-216-864-11	METAL CHIP	0	5%	1/16W
R317	1-218-990-11	SHORT CHIP	0		
R318	1-216-864-11	METAL CHIP	0	5%	1/16W
R319	1-218-990-11	SHORT CHIP	0		
R320	1-216-864-11	METAL CHIP	0	5%	1/16W
R321	1-216-864-11	METAL CHIP	0	5%	1/16W
A-7078-945-A KP-013 BOARD, COMPLETE					

< CONNECTOR >					
CN550	1-766-336-21	CONNECTOR, FFC/FPC 6P			
< DIODE >					
D550	8-719-064-61	DIODE 01BZA8.2(TE85L)			
< SWITCH >					
S550	1-771-025-41	SWITCH, ROTARY (ENCODER)(SEL/PUSH EXEC)			
A-7078-946-A LA-028 BOARD, COMPLETE					

< CAPACITOR >					
C070	1-125-777-11	CERAMIC CHIP	0.1uF	10.00%	10V
C071	1-107-826-11	CERAMIC CHIP	0.1uF	10.00%	16V
C072	1-107-826-11	CERAMIC CHIP	0.1uF	10.00%	16V
C073	1-164-942-11	CERAMIC CHIP	0.0068uF	10.00%	16V
C074	1-164-942-11	CERAMIC CHIP	0.0068uF	10.00%	16V
C075	1-107-823-11	CERAMIC CHIP	0.47uF	10.00%	16V
C076	1-125-837-91	CERAMIC CHIP	1uF	10%	6.3V
C077	1-107-823-11	CERAMIC CHIP	0.47uF	10.00%	16V
C078	1-125-777-11	CERAMIC CHIP	0.1uF	10.00%	10V
C079	1-125-926-91	TANTAL. CHIP	4.7uF	20%	6.3V
C080	1-117-919-11	TANTAL. CHIP	10uF	20.00%	6.3V
C085	1-115-467-11	CERAMIC CHIP	0.22uF	10.00%	10V
C086	1-115-467-11	CERAMIC CHIP	0.22uF	10.00%	10V
C087	1-119-923-11	CERAMIC CHIP	0.047uF	10.00%	10V
C088	1-119-923-11	CERAMIC CHIP	0.047uF	10.00%	10V
C089	1-164-940-11	CERAMIC CHIP	0.0033uF	10.00%	16V
C090	1-107-819-11	CERAMIC CHIP	0.022uF	10.00%	16V
C091	1-107-819-11	CERAMIC CHIP	0.022uF	10.00%	16V
C092	1-164-940-11	CERAMIC CHIP	0.0033uF	10.00%	16V
C093	1-117-919-11	TANTAL. CHIP	10uF	20.00%	6.3V
C094	1-117-919-11	TANTAL. CHIP	10uF	20.00%	6.3V
C095	1-127-895-91	TANTAL. CHIP	22uF	20%	4V
C096	1-125-777-11	CERAMIC CHIP	0.1uF	10.00%	10V
C097	1-125-926-91	TANTAL. CHIP	4.7uF	20%	6.3V
C098	1-125-838-11	CERAMIC CHIP	2.2uF	10%	6.3V

Ref. No.	Part No.	Description			
C099	1-125-838-11	CERAMIC CHIP	2.2uF	10%	6.3V
C100	1-127-760-11	CERAMIC CHIP	4.7uF	10%	6.3V
C140	1-164-943-11	CERAMIC CHIP	0.01uF	10.00%	16V
C141	1-164-943-11	CERAMIC CHIP	0.01uF	10.00%	16V
C142	1-164-941-11	CERAMIC CHIP	0.0047uF	10.00%	16V
C143	1-115-156-11	CERAMIC CHIP	1uF		10V
C145	1-125-777-11	CERAMIC CHIP	0.1uF	10.00%	10V
C146	1-125-777-11	CERAMIC CHIP	0.1uF	10.00%	10V
C147	1-164-935-11	CERAMIC CHIP	470PF	10.00%	50V
C148	1-164-489-11	CERAMIC CHIP	0.22uF	10.00%	16V
C149	1-164-937-11	CERAMIC CHIP	0.001uF	10.00%	50V
C150	1-107-823-11	CERAMIC CHIP	0.47uF	10.00%	16V
C151	1-164-943-11	CERAMIC CHIP	0.01uF	10.00%	16V
C152	1-125-777-11	CERAMIC CHIP	0.1uF	10.00%	10V
C153	1-164-939-11	CERAMIC CHIP	0.0022uF	10.00%	50V
C154	1-104-851-11	TANTAL. CHIP	10uF	20.00%	10V
C155	1-125-777-11	CERAMIC CHIP	0.1uF	10.00%	10V
C156	1-125-777-11	CERAMIC CHIP	0.1uF	10.00%	10V
C157	1-127-895-91	TANTAL. CHIP	22uF	20%	4V
C158	1-127-895-91	TANTAL. CHIP	22uF	20%	4V
C159	1-125-777-11	CERAMIC CHIP	0.1uF	10.00%	10V
C160	1-164-866-11	CERAMIC CHIP	47PF	5.00%	50V
C161	1-164-866-11	CERAMIC CHIP	47PF	5.00%	50V
C162	1-115-467-11	CERAMIC CHIP	0.22uF	10.00%	10V
C163	1-115-467-11	CERAMIC CHIP	0.22uF	10.00%	10V
C164	1-164-935-11	CERAMIC CHIP	470PF	10.00%	50V
C165	1-164-935-11	CERAMIC CHIP	470PF	10.00%	50V
C166	1-127-895-91	TANTAL. CHIP	22uF	20%	4V
C167	1-164-935-11	CERAMIC CHIP	470PF	10.00%	50V
C168	1-164-935-11	CERAMIC CHIP	470PF	10.00%	50V
C170	1-125-777-11	CERAMIC CHIP	0.1uF	10.00%	10V
C200	1-127-895-91	TANTAL. CHIP	22uF	20%	4V
C201	1-127-895-91	TANTAL. CHIP	22uF	20%	4V
C202	1-164-677-11	CERAMIC CHIP	0.033uF	10.00%	16V
C203	1-164-677-11	CERAMIC CHIP	0.033uF	10.00%	16V
C204	1-107-819-11	CERAMIC CHIP	0.022uF	10.00%	16V
C205	1-107-819-11	CERAMIC CHIP	0.022uF	10.00%	16V
C206	1-107-819-11	CERAMIC CHIP	0.022uF	10.00%	16V
C207	1-107-819-11	CERAMIC CHIP	0.022uF	10.00%	16V
C208	1-110-569-21	TANTAL. CHIP	47uF	20.00%	4V
C209	1-110-569-21	TANTAL. CHIP	47uF	20.00%	4V
C210	1-110-569-21	TANTAL. CHIP	47uF	20.00%	4V
C211	1-110-569-21	TANTAL. CHIP	47uF	20.00%	4V
C214	1-127-895-91	TANTAL. CHIP	22uF	20%	4V
C215	1-125-777-11	CERAMIC CHIP	0.1uF	10.00%	10V
< CONNECTOR >					
CN050	1-784-423-21	CONNECTOR, FFC/FPC (ZIF) 39P			
CN051	1-778-086-21	CONNECTOR, BOARD TO BOARD 80P			
CN052	1-784-421-11	CONNECTOR, FFC/FPC (ZIF) 27P			
CN053	1-766-843-21	CONNECTOR, FFC/FPC 27P			
CN054	1-766-336-21	CONNECTOR, FFC/FPC 6P			
CN055	1-766-336-21	CONNECTOR, FFC/FPC 6P			
CN056	1-766-350-21	CONNECTOR, FFC/FPC 20P			
< DIODE >					
D070	8-719-064-61	DIODE 01BZA8.2(TE85L)			
D140	8-719-056-23	DIODE MA2S111-(K8).SO			

DSR-PD170/PD170P/PD190P

LA-028

Ref. No.	Part No.	Description	Ref. No.	Part No.	Description			
		< FERRITE BEAD >						
FB140	1-414-445-11	FERRITE			0UH			
		< IC >						
IC070	8-759-359-49	IC			NJM3414AV(TE2)			
IC071	8-759-359-49	IC			NJM3414AV(TE2)			
IC072	8-759-823-51	IC			LB1830M-E			
IC073	8-759-444-87	IC			NJM324V(TE2)			
IC074	8-759-058-45	IC			NJM3403AV			
IC075	8-759-478-92	IC			TC7SET04FU(TE85R)			
IC076	8-759-478-92	IC			TC7SET04FU(TE85R)			
IC140	8-759-637-96	IC			uPD16877MA-6A5-E2			
IC141	8-759-444-87	IC			NJM324V(TE2)			
IC142	8-759-075-66	IC			TA75S01F			
IC143	8-759-327-33	IC			BU9241FS-E2			
IC144	8-759-327-33	IC			BU9241FS-E2			
IC200	8-759-489-19	IC			uPC6756GR-8JG-E2			
		< COIL >						
L070	1-412-951-11	INDUCTOR			10uH			
L071	1-412-963-11	INDUCTOR			100uH			
L072	1-414-754-11	INDUCTOR			10uH			
L073	1-414-771-91	INDUCTOR			10uH			
L140	1-414-754-11	INDUCTOR			10uH			
L141	1-414-754-11	INDUCTOR			10uH			
L142	1-414-754-11	INDUCTOR			10uH			
L143	1-414-754-11	INDUCTOR			10uH			
L200	1-414-754-11	INDUCTOR			10uH			
		< TRANSISTOR >						
Q050	8-729-037-72	TRANSISTOR			UN9211J-(K8).SO			
Q070	8-729-042-26	TRANSISTOR			2SB1462J-QR(K8).SO			
Q071	8-729-042-26	TRANSISTOR			2SB1462J-QR(K8).SO			
Q072	8-729-037-74	TRANSISTOR			UN9213J-(K8).SO			
Q073	8-729-042-26	TRANSISTOR			2SB1462J-QR(K8).SO			
Q074	8-729-037-74	TRANSISTOR			UN9213J-(K8).SO			
Q075	8-729-042-26	TRANSISTOR			2SB1462J-QR(K8).SO			
Q076	8-729-013-31	TRANSISTOR			2SA1588-OY-TE85L			
Q077	8-729-042-26	TRANSISTOR			2SB1462J-QR(K8).SO			
Q078	8-729-037-74	TRANSISTOR			UN9213J-(K8).SO			
Q140	8-729-042-26	TRANSISTOR			2SB1462J-QR(K8).SO			
Q141	8-729-037-74	TRANSISTOR			UN9213J-(K8).SO			
Q142	8-729-037-52	TRANSISTOR			2SD2216J-QR(K8).SO			
Q143	8-729-037-52	TRANSISTOR			2SD2216J-QR(K8).SO			
Q200	8-729-013-31	TRANSISTOR			2SA1588-OY-TE85L			
Q201	8-729-037-74	TRANSISTOR			UN9213J-(K8).SO			
		< RESISTOR >						
R051	1-218-954-11	RES-CHIP			1.2K	5%	1/16W	
R052	1-218-955-11	RES-CHIP			1.5K	5%	1/16W	
R053	1-218-959-11	RES-CHIP			3.3K	5%	1/16W	
R054	1-218-963-11	RES-CHIP			6.8K	5%	1/16W	
R055	1-218-969-11	RES-CHIP			22K	5%	1/16W	
R063	1-216-295-91	SHORT CHIP			0			
R065	1-216-864-11	METAL CHIP			0	5%	1/16W	
R066	1-218-990-11	SHORT CHIP			0			
R067	1-216-864-11	METAL CHIP			0	5%	1/16W	
R070	1-208-885-11	METAL CHIP			820	0.5%	1/16W	
R071	1-208-703-11	METAL CHIP			6.8K	0.5%	1/16W	
R072	1-208-885-11	METAL CHIP			820	0.5%	1/16W	
R073	1-208-703-11	METAL CHIP			6.8K	0.5%	1/16W	
R074	1-208-707-11	METAL CHIP			10K	0.5%	1/16W	
R075	1-208-707-11	METAL CHIP			10K	0.5%	1/16W	
R076	1-208-707-11	METAL CHIP			10K	0.5%	1/16W	
R077	1-208-935-11	METAL CHIP			100K	0.5%	1/16W	
R078	1-208-707-11	METAL CHIP			10K	0.5%	1/16W	
R079	1-208-707-11	METAL CHIP			10K	0.5%	1/16W	
R080	1-208-935-11	METAL CHIP			100K	0.5%	1/16W	
R081	1-208-711-11	METAL CHIP			15K	0.5%	1/16W	
R082	1-208-707-11	METAL CHIP			10K	0.5%	1/16W	
R083	1-208-711-11	METAL CHIP			15K	0.5%	1/16W	
R084	1-218-961-11	RES-CHIP			4.7K	5%	1/16W	
R085	1-216-134-00	METAL CHIP			2.2	5%	1/8W	
R086	1-218-973-11	RES-CHIP			47K	5%	1/16W	
R087	1-218-973-11	RES-CHIP			47K	5%	1/16W	
R088	1-208-927-11	METAL CHIP			47K	0.5%	1/16W	
R089	1-208-927-11	METAL CHIP			47K	0.5%	1/16W	
R091	1-208-935-11	METAL CHIP			100K	0.5%	1/16W	
R092	1-208-935-11	METAL CHIP			100K	0.5%	1/16W	
R093	1-208-943-11	METAL CHIP			220K	0.5%	1/16W	
R095	1-208-943-11	METAL CHIP			220K	0.5%	1/16W	
R096	1-208-707-11	METAL CHIP			10K	0.5%	1/16W	
R097	1-208-707-11	METAL CHIP			10K	0.5%	1/16W	
R098	1-208-935-11	METAL CHIP			100K	0.5%	1/16W	
R099	1-208-935-11	METAL CHIP			100K	0.5%	1/16W	
R100	1-218-969-11	RES-CHIP			22K	5%	1/16W	
R101	1-218-969-11	RES-CHIP			22K	5%	1/16W	
R102	1-218-969-11	RES-CHIP			22K	5%	1/16W	
R103	1-218-969-11	RES-CHIP			22K	5%	1/16W	
R104	1-218-969-11	RES-CHIP			22K	5%	1/16W	
R105	1-218-969-11	RES-CHIP			22K	5%	1/16W	
R106	1-218-975-11	RES-CHIP			68K	5%	1/16W	
R107	1-218-977-11	RES-CHIP			100K	5%	1/16W	
R108	1-218-975-11	RES-CHIP			68K	5%	1/16W	
R109	1-218-977-11	RES-CHIP			100K	5%	1/16W	
R110	1-218-953-11	RES-CHIP			1K	5%	1/16W	
R111	1-218-973-11	RES-CHIP			47K	5%	1/16W	
R112	1-218-953-11	RES-CHIP			1K	5%	1/16W	
R113	1-218-977-11	RES-CHIP			100K	5%	1/16W	
R114	1-218-965-11	RES-CHIP			10K	5%	1/16W	
R115	1-218-965-11	RES-CHIP			10K	5%	1/16W	
R116	1-218-953-11	RES-CHIP			1K	5%	1/16W	
R117	1-218-953-11	RES-CHIP			1K	5%	1/16W	
R118	1-218-953-11	RES-CHIP			1K	5%	1/16W	
R119	1-218-973-11	RES-CHIP			47K	5%	1/16W	
R120	1-218-965-11	RES-CHIP			10K	5%	1/16W	
R140	1-218-953-11	RES-CHIP			1K	5%	1/16W	
R141	1-218-965-11	RES-CHIP			10K	5%	1/16W	
R142	1-218-975-11	RES-CHIP			68K	5%	1/16W	
R143	1-218-975-11	RES-CHIP			68K	5%	1/16W	
R144	1-218-975-11	RES-CHIP			68K	5%	1/16W	
R145	1-218-975-11	RES-CHIP			68K	5%	1/16W	
R146	1-218-975-11	RES-CHIP			68K	5%	1/16W	
R147	1-216-295-91	SHORT CHIP			0			
R148	1-218-973-11	RES-CHIP			47K	5%	1/16W	
R150	1-218-953-11	RES-CHIP			1K	5%	1/16W	
R151	1-218-989-11	RES-CHIP			1M	5%	1/16W	

DSR-PD170/PD170P/PL

LA-028 LB-100D MA-430D MK-C

Ref. No.	Part No.	Description			
R152	1-218-957-11	RES-CHIP	2.2K	5%	1/16W
R153	1-218-965-11	RES-CHIP	10K	5%	1/16W
R154	1-218-981-11	RES-CHIP	220K	5%	1/16W
R155	1-218-985-11	RES-CHIP	470K	5%	1/16W
R156	1-218-985-11	RES-CHIP	470K	5%	1/16W
R157	1-218-957-11	RES-CHIP	2.2K	5%	1/16W
R158	1-218-967-11	RES-CHIP	15K	5%	1/16W
R159	1-218-969-11	RES-CHIP	22K	5%	1/16W
R160	1-218-985-11	RES-CHIP	470K	5%	1/16W
R161	1-218-953-11	RES-CHIP	1K	5%	1/16W
R162	1-218-953-11	RES-CHIP	1K	5%	1/16W
R163	1-218-947-11	RES-CHIP	330	5%	1/16W
R164	1-218-969-11	RES-CHIP	22K	5%	1/16W
R165	1-218-953-11	RES-CHIP	1K	5%	1/16W
R166	1-218-965-11	RES-CHIP	10K	5%	1/16W
R167	1-218-973-11	RES-CHIP	47K	5%	1/16W
R168	1-208-927-11	METAL CHIP	47K	0.5%	1/16W
R169	1-208-713-11	METAL CHIP	18K	0.5%	1/16W
R170	1-208-675-11	METAL CHIP	470	0.5%	1/16W
R171	1-218-965-11	RES-CHIP	10K	5%	1/16W
R172	1-218-965-11	RES-CHIP	10K	5%	1/16W
R173	1-218-953-11	RES-CHIP	1K	5%	1/16W
R174	1-218-953-11	RES-CHIP	1K	5%	1/16W
R177	1-218-974-11	RES-CHIP	56K	5%	1/16W
R178	1-218-950-11	RES-CHIP	560	5%	1/16W
R179	1-218-965-11	RES-CHIP	10K	5%	1/16W
R180	1-218-965-11	RES-CHIP	10K	5%	1/16W
R181	1-218-953-11	RES-CHIP	1K	5%	1/16W
R182	1-218-953-11	RES-CHIP	1K	5%	1/16W
R185	1-218-974-11	RES-CHIP	56K	5%	1/16W
R186	1-218-950-11	RES-CHIP	560	5%	1/16W
R187	1-216-295-91	SHORT CHIP	0		
R200	1-218-969-11	RES-CHIP	22K	5%	1/16W
R201	1-218-969-11	RES-CHIP	22K	5%	1/16W
R202	1-218-969-11	RES-CHIP	22K	5%	1/16W
R203	1-218-969-11	RES-CHIP	22K	5%	1/16W
R204	1-218-965-11	RES-CHIP	10K	5%	1/16W
R205	1-218-965-11	RES-CHIP	10K	5%	1/16W
R206	1-218-989-11	RES-CHIP	1M	5%	1/16W
R209	1-218-989-11	RES-CHIP	1M	5%	1/16W
R210	1-218-953-11	RES-CHIP	1K	5%	1/16W
R211	1-218-965-11	RES-CHIP	10K	5%	1/16W
A-7078-958-A LB-100D BOARD, COMPLETE *****					
< CAPACITOR >					
C221	1-107-826-11	CERAMIC CHIP	0.1uF	10%	16V
C222	1-164-505-11	CERAMIC CHIP	2.2uF		16V
< CONNECTOR >					
CN200	1-784-421-11	CONNECTOR, FFC/FPC (ZIF) 27P			
CN201	1-691-354-21	CONNECTOR, FFC/FPC (ZIF) 16P			
< DIODE >					
D200	8-719-018-51	DIODE CL-170R-CD			
D201	8-719-082-33	DIODE NSCW100-T38			

Ref. No.	Part No.	Description			
< IC >					
IC221	8-759-581-11	IC NJM2125F (TE2)			
< TRANSISTOR >					
Q221	6-550-119-01	TRANSISTOR DTC144EMT2L			
Q222	8-729-054-48	TRANSISTOR UP04601008S0			
< RESISTOR >					
R200	1-218-946-11	RES-CHIP	270	5%	1/16W
R205	1-218-977-11	RES-CHIP	100K	5%	1/16W
R206	1-218-977-11	RES-CHIP	100K	5%	1/16W
R207	1-218-977-11	RES-CHIP	100K	5%	1/16W
R208	1-218-977-11	RES-CHIP	100K	5%	1/16W
R224	1-220-179-11	RES-CHIP	510	5%	1/16W
R225	1-218-956-11	RES-CHIP	1.8K	5%	1/16W
R227	1-211-983-11	METAL CHIP	39	0.5%	1/16W
R230	1-208-941-11	METAL CHIP	180K	0.5%	1/16W
R231	1-208-910-11	METAL CHIP	9.1K	0.5%	1/16W
R232	1-208-711-11	METAL CHIP	15K	0.5%	1/16W
A-7078-959-A MA-430D BOARD, COMPLETE *****					
< CONNECTOR >					
CN1106	1-784-420-11	CONNECTOR			
A-7078-948-A MK-016 BOARD, COMPLETE *****					
< CONNECTOR >					
CN001	1-779-327-11	CONNECTOR, FFC/FPC 6P			
< DIODE >					
D003	8-719-061-82	DIODE TLSU1002(TPX1,SONY)			
D004	8-719-073-03	DIODE MA8082-(K8)S0			
< RESISTOR >					
R001	1-218-950-11	RES-CHIP	560	5%	1/16W
R002	1-218-954-11	RES-CHIP	1.2K	5%	1/16W
R003	1-218-955-11	RES-CHIP	1.5K	5%	1/16W
R004	1-218-959-11	RES-CHIP	3.3K	5%	1/16W
R005	1-218-963-11	RES-CHIP	6.8K	5%	1/16W
R006	1-218-969-11	RES-CHIP	22K	5%	1/16W
< SWITCH >					
S001	1-771-138-82	SWITCH, KEY BOARD (AE SHIFT)			
S002	1-771-138-82	SWITCH, KEY BOARD (WHT BAL)			
S003	1-771-138-82	SWITCH, KEY BOARD (SHUTTER SPEED)			
S004	1-771-138-82	SWITCH, KEY BOARD (GAIN)			
S005	1-762-648-21	SWITCH, SLIDE (AUTOLOCK)			

DSR-PD170/PD170P/PD190P

MS-209 **PD-217**

Ref. No.	Part No.	Description			
	A-7078-949-A	MS-209 BOARD, COMPLETE *****			
		< CONNECTOR >			
CN775	1-766-644-21	CONNECTOR, FFC/FPC 8P			
CN776	1-793-641-11	CONNECTOR, MEMORY STICK			
		< RESISTOR >			
R1002	1-216-864-11	METAL CHIP	0	5%	1/16W
R1003	1-218-990-11	SHORT CHIP	0		
R1004	1-216-864-11	METAL CHIP	0	5%	1/16W
	A-7078-956-A	PD-217 BOARD, COMPLETE *****			
		< CAPACITOR >			
C2101	1-119-750-11	TANTAL. CHIP	22uF	20.00%	6.3V
C2102	1-125-777-11	CERAMIC CHIP	0.1uF	10.00%	10V
C2103	1-164-943-11	CERAMIC CHIP	0.01uF	10.00%	16V
C2104	1-117-919-11	TANTAL. CHIP	10uF	20.00%	6.3V
C2105	1-125-777-11	CERAMIC CHIP	0.1uF	10.00%	10V
C2107	1-107-826-11	CERAMIC CHIP	0.1uF	10.00%	16V
C2108	1-164-943-11	CERAMIC CHIP	0.01uF	10.00%	16V
C2109	1-164-943-11	CERAMIC CHIP	0.01uF	10.00%	16V
C2110	1-164-943-11	CERAMIC CHIP	0.01uF	10.00%	16V
C2111	1-164-739-11	CERAMIC CHIP	560PF	5.00%	50V
C2112	1-125-838-11	CERAMIC CHIP	2.2uF	10%	6.3V
C2113	1-164-004-11	CERAMIC CHIP	0.1uF	10%	25V
C2114	1-164-943-11	CERAMIC CHIP	0.01uF	10.00%	16V
C2115	1-100-502-11	TANTAL. CHIP	3.3uF	20%	25V
C2116	1-164-937-11	CERAMIC CHIP	0.001uF	10.00%	50V
C2117	1-164-872-11	CERAMIC CHIP	82PF	5.00%	50V
C2118	1-125-838-11	CERAMIC CHIP	2.2uF	10%	6.3V
C2119	1-125-838-11	CERAMIC CHIP	2.2uF	10%	6.3V
C2120	1-125-838-11	CERAMIC CHIP	2.2uF	10%	6.3V
C2123	1-100-502-11	TANTAL. CHIP	3.3uF	20%	25V
C2124	1-164-943-11	CERAMIC CHIP	0.01uF	10.00%	16V
C2125	1-163-021-91	CERAMIC CHIP	0.01uF	10.00%	50V
C2126	1-115-566-11	CERAMIC CHIP	4.7uF	10.00%	10V
C2127	1-125-777-11	CERAMIC CHIP	0.1uF	10.00%	10V
C2128	1-107-725-11	CERAMIC CHIP	0.1uF	10.00%	16V
C2133	1-109-982-11	CERAMIC CHIP	1uF	10.00%	10V
C2181	1-119-751-11	TANTAL. CHIP	22uF	20.00%	16V
C2182	1-164-943-11	CERAMIC CHIP	0.01uF	10.00%	16V
C2183	1-119-751-11	TANTAL. CHIP	22uF	20.00%	16V
C2184	1-164-943-11	CERAMIC CHIP	0.01uF	10.00%	16V
C2185	1-104-851-11	TANTAL. CHIP	10uF	20.00%	10V
C2186	1-125-777-11	CERAMIC CHIP	0.1uF	10.00%	10V
		< CONNECTOR >			
CN2100	1-794-378-21	PIN, CONNECTOR 14P			
CN2101	1-794-377-21	PIN, CONNECTOR 8P			
* CN2103	1-778-155-11	CONNECTOR, FFC/FPC (ZIF) 7P			
* CN2104	1-778-172-11	CONNECTOR, FFC/FPC (ZIF) 24P			
CN2105	1-764-704-21	CONNECTOR, FFC/FPC (LIF) 5P			

Ref. No.	Part No.	Description			
		< DIODE >			
D2101	8-719-404-50	DIODE MA111-TX			
D2102	8-719-084-46	DIODE 1SV288(TPH3)			
D2104	8-719-050-42	DIODE RD3.3UM-T1B			
D2181	8-719-059-47	DIODE PG1111R-TR			
		< IC >			
IC2101	8-752-109-08	IC CXA3289BR-T4			
IC2103	8-752-409-15	IC CXD3516R-T4			
		< COIL >			
L2101	1-414-755-11	INDUCTOR	22uH		
L2102	1-414-754-11	INDUCTOR	10uH		
L2103	1-414-754-11	INDUCTOR	10uH		
L2104	1-412-943-11	INDUCTOR	2.2uH		
L2181	1-412-056-11	INDUCTOR	4.7uH		
L2182	1-414-757-11	INDUCTOR	100uH		
		< TRANSISTOR >			
Q2101	8-729-427-74	TRANSISTOR	XP4601-TXE		
Q2102	8-729-037-74	TRANSISTOR	UN9213J-(TX).SO		
Q2103	8-729-427-74	TRANSISTOR	XP4601-TXE		
Q2104	8-729-041-23	TRANSISTOR	NDS356AP		
Q2109	8-729-042-26	TRANSISTOR	2SB1462J-QR(K8).SO		
Q2111	8-729-037-52	TRANSISTOR	2SD2216J-QR(K8).SO		
Q2112	8-729-048-77	TRANSISTOR	XP4313-(TX).SO		
Q2181	8-729-042-72	TRANSISTOR	UN9214J-(K8).SO		
Q2182	8-729-037-53	TRANSISTOR	2SA1832F-Y/GR(TPL3)		
Q2183	8-729-042-59	TRANSISTOR	UN9112J-(K8).SO		
		< RESISTOR >			
R2111	1-218-985-11	RES-CHIP	470K	5%	1/16W
R2112	1-218-985-11	RES-CHIP	470K	5%	1/16W
R2113	1-218-990-11	SHORT CHIP	0		
R2115	1-218-958-11	RES-CHIP	2.7K	5%	1/16W
R2116	1-218-973-11	RES-CHIP	47K	5%	1/16W
R2117	1-218-975-11	RES-CHIP	68K	5%	1/16W
R2118	1-218-969-11	RES-CHIP	22K	5%	1/16W
R2119	1-218-975-11	RES-CHIP	68K	5%	1/16W
R2122	1-218-989-11	RES-CHIP	1M	5%	1/16W
R2123	1-218-990-11	SHORT CHIP	0		
R2124	1-218-977-11	RES-CHIP	100K	5%	1/16W
R2129	1-218-990-11	SHORT CHIP	0		
R2134	1-208-635-11	RES-CHIP	10	5%	1/16W
R2136	1-208-635-11	RES-CHIP	10	5%	1/16W
R2137	1-208-635-11	RES-CHIP	10	5%	1/16W
R2138	1-218-941-81	RES-CHIP	100	5%	1/16W
R2143	1-218-965-11	RES-CHIP	10K	5%	1/16W
R2144	1-218-977-11	RES-CHIP	100K	5%	1/16W
R2146	1-218-990-11	SHORT CHIP	0		
R2147	1-218-990-11	SHORT CHIP	0		
R2148	1-218-965-11	RES-CHIP	10K	5%	1/16W
R2153	1-218-990-11	SHORT CHIP	0		
R2157	1-208-935-11	METAL CHIP	100K	0.5%	1/16W
R2158	1-208-703-11	METAL CHIP	6.8K	0.5%	1/16W
R2159	1-218-979-11	RES-CHIP	150K	5%	1/16W

DSR-PD170/PD170P/PI

PD-217 SE-147 VC-35

Ref. No.	Part No.	Description			
R2160	1-208-957-11	RES-CHIP	820K	5%	1/16W
R2162	1-218-990-11	SHORT CHIP	0		
R2163	1-218-990-11	SHORT CHIP	0		
R2165	1-218-990-11	SHORT CHIP	0		
R2166	1-218-965-11	RES-CHIP	10K	5%	1/16W
R2167	1-216-295-91	SHORT CHIP	0		
R2168	1-218-990-11	SHORT CHIP	0		
R2169	1-218-990-11	SHORT CHIP	0		
R2170	1-218-977-11	RES-CHIP	100K	5%	1/16W
R2172	1-218-990-11	SHORT CHIP	0		
R2173	1-218-990-11	SHORT CHIP	0		
R2174	1-218-990-11	SHORT CHIP	0		
R2175	1-218-990-11	SHORT CHIP	0		
R2176	1-218-990-11	SHORT CHIP	0		
R2181	1-218-961-11	RES-CHIP	4.7K	5%	1/16W
R2182	1-218-953-11	RES-CHIP	1K	5%	1/16W
R2183	1-218-941-81	RES-CHIP	100	5%	1/16W
R2184	1-218-990-11	SHORT CHIP	0		
<hr/>					
A-7078-950-A	SE-147 BOARD, COMPLETE *****				
	< CAPACITOR >				
C600	1-125-777-11	CERAMIC CHIP	0.1uF	10.00%	10V
C601	1-127-895-91	TANTAL. CHIP	22uF	20%	4V
	< CONNECTOR >				
CN600	1-766-336-21	CONNECTOR, FFC/FPC 6P			
	< COIL >				
L600	1-414-754-11	INDUCTOR	10uH		
	< SENSOR >				
SE600	1-803-042-31	SENSOR, ANGULAR VELOCITY (YAW)			
SE601	1-803-042-41	SENSOR, ANGULAR VELOCITY (PITCH)			
<hr/>					
A-7112-573-A	VC-358D BOARD, COMPLETE (SERVICE) *****				
	< CAPACITOR >				
C102	1-164-943-11	CERAMIC CHIP	0.01uF	10%	16V
C103	1-164-943-11	CERAMIC CHIP	0.01uF	10%	16V
C104	1-125-777-11	CERAMIC CHIP	0.1uF	10%	10V
C105	1-109-982-11	CERAMIC CHIP	1uF	10%	10V
C106	1-164-943-11	CERAMIC CHIP	0.01uF	10%	16V
C107	1-127-895-11	TANTAL. CHIP	22uF	10%	4V
C108	1-164-943-11	CERAMIC CHIP	0.01uF	10%	16V
C109	1-117-919-11	TANTAL. CHIP	10uF	20%	6.3V
C110	1-164-943-11	CERAMIC CHIP	0.01uF	10%	16V
C111	1-164-935-11	CERAMIC CHIP	470PF	10%	50V
C112	1-164-943-11	CERAMIC CHIP	0.01uF	10%	16V
C113	1-164-866-11	CERAMIC CHIP	47PF	5%	50V
C114	1-125-777-11	CERAMIC CHIP	0.1uF	10%	10V
C115	1-164-935-11	CERAMIC CHIP	470PF	10%	50V
C116	1-164-677-11	CERAMIC CHIP	0.033uF	10%	16V

Ref. No.	Part No.	Description			
C117	1-164-943-11	CERAMIC CHIP	0.01uF	10%	16V
C118	1-164-866-11	CERAMIC CHIP	47PF	5%	50V
C119	1-164-943-11	CERAMIC CHIP	0.01uF	10%	16V
C120	1-164-943-11	CERAMIC CHIP	0.01uF	10%	16V
C121	1-125-777-11	CERAMIC CHIP	0.1uF	10%	10V
C122	1-125-777-11	CERAMIC CHIP	0.1uF	10%	10V
C123	1-164-943-11	CERAMIC CHIP	0.01uF	10%	16V
C124	1-164-943-11	CERAMIC CHIP	0.01uF	10%	16V
C125	1-164-943-11	CERAMIC CHIP	0.01uF	10%	16V
C127	1-125-777-11	CERAMIC CHIP	0.1uF	10%	10V
C128	1-125-777-11	CERAMIC CHIP	0.1uF	10%	10V
C301	1-107-826-11	CERAMIC CHIP	0.1uF	10%	16V
C302	1-107-826-11	CERAMIC CHIP	0.1uF	10%	16V
C303	1-107-826-11	CERAMIC CHIP	0.1uF	10%	16V
C304	1-107-826-11	CERAMIC CHIP	0.1uF	10%	16V
C305	1-107-826-11	CERAMIC CHIP	0.1uF	10%	16V
C306	1-164-943-11	CERAMIC CHIP	0.01uF	10%	16V
C307	1-164-850-11	CERAMIC CHIP	10PF	0.5PF	50V
C308	1-164-850-11	CERAMIC CHIP	10PF	0.5PF	50V
C309	1-164-943-11	CERAMIC CHIP	0.01uF	10%	16V
C310	1-127-760-11	CERAMIC CHIP	4.7uF	10%	6.3V
C311	1-164-943-11	CERAMIC CHIP	0.01uF	10%	16V
C312	1-164-943-11	CERAMIC CHIP	0.01uF	10%	16V
C313	1-164-937-11	CERAMIC CHIP	0.001uF	10%	50V
C314	1-164-937-11	CERAMIC CHIP	0.001uF	10%	50V
C315	1-164-937-11	CERAMIC CHIP	0.001uF	10%	50V
C316	1-164-937-11	CERAMIC CHIP	0.001uF	10%	50V
C317	1-164-943-11	CERAMIC CHIP	0.01uF	10%	16V
C318	1-164-943-11	CERAMIC CHIP	0.01uF	10%	16V
C319	1-164-937-11	CERAMIC CHIP	0.001uF	10%	50V
C320	1-117-919-11	TANTAL. CHIP	10uF	20%	6.3V
C321	1-164-943-11	CERAMIC CHIP	0.01uF	10%	16V
C322	1-117-863-11	CERAMIC CHIP	0.47uF	10%	6.3V
C323	1-164-943-11	CERAMIC CHIP	0.01uF	10%	16V
C324	1-119-923-11	CERAMIC CHIP	0.047uF	10%	10V
C325	1-164-937-11	CERAMIC CHIP	0.001uF	10%	50V
C326	1-125-838-11	CERAMIC CHIP	2.2uF	10%	6.3V
C327	1-127-895-91	TANTAL. CHIP	22uF	20%	4V
C328	1-164-943-11	CERAMIC CHIP	0.01uF	10%	16V
C329	1-164-943-11	CERAMIC CHIP	0.01uF	10%	16V
C331	1-117-919-11	TANTAL. CHIP	10uF	20%	6.3V
C332	1-164-943-11	CERAMIC CHIP	0.01uF	10%	16V
C333	1-162-970-11	CERAMIC CHIP	0.01uF	10%	25V
C334	1-164-943-11	CERAMIC CHIP	0.01uF	10%	16V
C335	1-107-826-11	CERAMIC CHIP	0.1uF	10%	10V
C337	1-125-837-91	CERAMIC CHIP	1uF	10%	6.3V
C338	1-164-882-11	CERAMIC CHIP	220PF	5%	16V
C341	1-125-837-91	CERAMIC CHIP	1uF	10%	6.3V
C342	1-125-837-91	CERAMIC CHIP	1uF	10%	6.3V
C343	1-127-760-11	CERAMIC CHIP	4.7uF	10%	6.3V
C345	1-127-760-11	CERAMIC CHIP	4.7uF	10%	6.3V
C346	1-127-760-11	CERAMIC CHIP	4.7uF	10%	6.3V
C348	1-127-760-11	CERAMIC CHIP	4.7uF	10%	6.3V
C352	1-164-943-11	CERAMIC CHIP	0.01uF	10%	16V
C353	1-125-837-91	CERAMIC CHIP	1uF	10%	6.3V
C401	1-164-937-11	CERAMIC CHIP	0.001uF	10%	50V
C402	1-164-937-11	CERAMIC CHIP	0.001uF	10%	50V
C403	1-164-943-11	CERAMIC CHIP	0.01uF	10%	16V
C404	1-119-923-11	CERAMIC CHIP	0.047uF	10%	10V
C405	1-119-923-11	CERAMIC CHIP	0.047uF	10%	10V

DSR-PD170/PD170P/PD190P

VC-358D

Ref. No.	Part No.	Description				Ref. No.	Part No.	Description			
C406	1-164-505-11	CERAMIC CHIP	2.2uF		16V	C723	1-125-777-11	CERAMIC CHIP	0.1uF	10%	10V
C407	1-125-777-11	CERAMIC CHIP	0.1uF	10%	10V	C724	1-125-777-11	CERAMIC CHIP	0.1uF	10%	10V
C408	1-107-819-11	CERAMIC CHIP	0.022uF	10%	16V	C725	1-125-777-11	CERAMIC CHIP	0.1uF	10%	10V
C409	1-164-942-11	CERAMIC CHIP	0.0068uF	10%	16V	C726	1-125-777-11	CERAMIC CHIP	0.1uF	10%	10V
C410	1-107-819-11	CERAMIC CHIP	0.022uF	10%	16V	C727	1-125-777-11	CERAMIC CHIP	0.1uF	10%	10V
C411	1-107-820-11	CERAMIC CHIP	0.1uF		16V	C728	1-125-777-11	CERAMIC CHIP	0.1uF	10%	10V
C414	1-164-935-11	CERAMIC CHIP	470PF	10%	50V	C731	1-125-777-11	CERAMIC CHIP	0.1uF	10%	10V
C415	1-164-935-11	CERAMIC CHIP	470PF	10%	50V	C732	1-125-777-11	CERAMIC CHIP	0.1uF	10%	10V
C416	1-125-837-91	CERAMIC CHIP	1uF	10%	6.3V	C733	1-125-777-11	CERAMIC CHIP	0.1uF	10%	10V
C418	1-164-935-11	CERAMIC CHIP	470PF	10%	50V	C734	1-125-777-11	CERAMIC CHIP	0.1uF	10%	10V
C419	1-164-935-11	CERAMIC CHIP	470PF	10%	50V	C735	1-164-850-11	CERAMIC CHIP	10PF	0.5PF	50V
C420	1-125-777-11	CERAMIC CHIP	0.1uF	10%	10V	C736	1-164-850-11	CERAMIC CHIP	10PF	0.5PF	50V
C421	1-125-777-11	CERAMIC CHIP	0.1uF	10%	10V	C737	1-164-850-11	CERAMIC CHIP	10PF	0.5PF	50V
C422	1-125-777-11	CERAMIC CHIP	0.1uF	10%	10V	C738	1-125-777-11	CERAMIC CHIP	0.1uF	10%	10V
C423	1-125-777-11	CERAMIC CHIP	0.1uF	10%	10V	C739	1-119-749-11	TANTAL. CHIP	33uF	20%	4V
C424	1-125-777-11	CERAMIC CHIP	0.1uF	10%	10V	C742	1-125-777-11	CERAMIC CHIP	0.1uF	10%	10V
C425	1-119-923-11	CERAMIC CHIP	0.047uF	10%	10V	C745	1-164-937-11	CERAMIC CHIP	0.001uF	10%	50V
C426	1-127-578-91	TANTAL. CHIP	3.3uF	20%	6.3V	C746	1-164-937-11	CERAMIC CHIP	0.001uF	10%	50V
C427	1-125-777-11	CERAMIC CHIP	0.1uF	10%	10V	C747	1-164-852-11	CERAMIC CHIP	12PF	5%	50V
C428	1-125-777-11	CERAMIC CHIP	0.1uF	10%	10V	C748	1-125-777-11	CERAMIC CHIP	0.1uF	10%	10V
C429	1-164-941-11	CERAMIC CHIP	0.0047uF	10%	16V	C749	1-125-777-11	CERAMIC CHIP	0.1uF	10%	10V
C430	1-164-941-11	CERAMIC CHIP	0.0047uF	10%	16V	C750	1-125-837-91	CERAMIC CHIP	1uF	10%	6.3V
C431	1-125-777-11	CERAMIC CHIP	0.1uF	10%	10V	C751	1-125-837-91	CERAMIC CHIP	1uF	10%	6.3V
C432	1-125-777-11	CERAMIC CHIP	0.1uF	10%	10V	C752	1-125-837-91	CERAMIC CHIP	1uF	10%	6.3V
C433	1-125-777-11	CERAMIC CHIP	0.1uF	10%	10V	C753	1-128-964-91	TANTAL. CHIP	100uF	20%	6.3V
C434	1-125-777-11	CERAMIC CHIP	0.1uF	10%	10V	C754	1-125-777-11	CERAMIC CHIP	0.1uF	10%	10V
C435	1-107-823-11	CERAMIC CHIP	0.47uF	10%	16V	C756	1-125-837-91	CERAMIC CHIP	1uF	10%	6.3V
C436	1-125-777-11	CERAMIC CHIP	0.1uF	10%	10V	C757	1-127-895-91	TANTAL. CHIP	22uF	20%	4V
C437	1-115-467-11	CERAMIC CHIP	0.22uF	10%	10V	C758	1-125-777-11	CERAMIC CHIP	0.1uF	10%	10V
C438	1-125-777-11	CERAMIC CHIP	0.1uF	10%	10V	C759	1-125-777-11	CERAMIC CHIP	0.1uF	10%	10V
C501	1-164-937-11	CERAMIC CHIP	0.001uF	10%	50V	C760	1-125-777-11	CERAMIC CHIP	0.1uF	10%	10V
C502	1-164-850-11	CERAMIC CHIP	10PF	0.5PF	50V	C761	1-107-826-11	CERAMIC CHIP	0.1uF	10%	16V
C503	1-164-850-11	CERAMIC CHIP	10PF	0.5PF	50V	C762	1-125-837-91	CERAMIC CHIP	1uF	10%	6.3V
C504	1-125-777-11	CERAMIC CHIP	0.1uF	10%	10V	C763	1-125-777-11	CERAMIC CHIP	0.1uF	10%	10V
C505	1-164-943-11	CERAMIC CHIP	0.01uF	10%	16V	C764	1-125-777-11	CERAMIC CHIP	0.1uF	10%	10V
C506	1-164-943-11	CERAMIC CHIP	0.01uF	10%	16V	C765	1-164-848-11	CERAMIC CHIP	8PF	0.5PF	50V
C507	1-164-943-11	CERAMIC CHIP	0.01uF	10%	16V	C767	1-164-843-11	CERAMIC CHIP	3PF	0.25PF	50V
C508	1-117-919-11	TANTAL. CHIP	10uF	20%	6.3V	C771	1-125-837-91	CERAMIC CHIP	1uF	10%	6.3V
C509	1-109-982-11	CERAMIC CHIP	1uF	10%	10V	C772	1-125-777-11	CERAMIC CHIP	0.1uF	10%	10V
C701	1-107-689-21	TANTAL. CHIP	1uF	20%	35V	C801	1-127-895-11	TANTAL. CHIP	22uF	10%	4V
C702	1-107-689-21	TANTAL. CHIP	1uF	20%	35V	C802	1-125-777-11	CERAMIC CHIP	0.1uF	10%	10V
C703	1-113-682-11	TANTAL. CHIP	33uF	20%	10V	C803	1-125-777-11	CERAMIC CHIP	0.1uF	10%	10V
C704	1-125-777-11	CERAMIC CHIP	0.1uF	10%	10V	C804	1-125-777-11	CERAMIC CHIP	0.1uF	10%	10V
C705	1-113-682-11	TANTAL. CHIP	33uF	20%	10V	C805	1-164-943-11	CERAMIC CHIP	0.01uF	10%	16V
C706	1-125-837-91	CERAMIC CHIP	1uF	10%	6.3V	C806	1-125-777-11	CERAMIC CHIP	0.1uF	10%	10V
C707	1-125-837-91	CERAMIC CHIP	1uF	10%	6.3V	C807	1-125-777-11	CERAMIC CHIP	0.1uF	10%	10V
C708	1-125-837-91	CERAMIC CHIP	1uF	10%	6.3V	C808	1-164-943-11	CERAMIC CHIP	0.01uF	10%	16V
C709	1-125-837-91	CERAMIC CHIP	1uF	10%	6.3V	C809	1-125-777-11	CERAMIC CHIP	0.1uF	10%	10V
C710	1-125-837-91	CERAMIC CHIP	1uF	10%	6.3V	C810	1-127-895-11	TANTAL. CHIP	22uF	10%	4V
C711	1-125-837-91	CERAMIC CHIP	1uF	10%	6.3V	C811	1-125-777-11	CERAMIC CHIP	0.1uF	10%	10V
C712	1-125-837-91	CERAMIC CHIP	1uF	10%	6.3V	C812	1-125-777-11	CERAMIC CHIP	0.1uF	10%	10V
C713	1-125-777-11	CERAMIC CHIP	0.1uF	10%	10V	C901	1-117-919-11	TANTAL. CHIP	10uF	20%	6.3V
C714	1-125-777-11	CERAMIC CHIP	0.1uF	10%	10V	C902	1-164-943-11	CERAMIC CHIP	0.01uF	10%	16V
C715	1-125-777-11	CERAMIC CHIP	0.1uF	10%	10V	C903	1-164-943-11	CERAMIC CHIP	0.01uF	10%	16V
C716	1-107-826-11	CERAMIC CHIP	0.1uF	10%	16V	C904	1-104-851-11	TANTAL. CHIP	10uF	20%	10V
C717	1-119-751-11	TANTAL. CHIP	22uF	20%	16V	C908	1-125-777-11	CERAMIC CHIP	0.1uF	10%	10V
C719	1-125-777-11	CERAMIC CHIP	0.1uF	10%	10V	C910	1-117-919-11	TANTAL. CHIP	10uF	20%	6.3V
C720	1-125-837-91	CERAMIC CHIP	1uF	10%	6.3V	C911	1-125-837-91	CERAMIC CHIP	1uF	10%	6.3V
C721	1-125-777-11	CERAMIC CHIP	0.1uF	10%	10V	C912	1-125-837-91	CERAMIC CHIP	1uF	10%	6.3V
C722	1-125-777-11	CERAMIC CHIP	0.1uF	10%	10V	C913	1-164-943-11	CERAMIC CHIP	0.01uF	10%	16V

Ref. No.	Part No.	Description					Ref. No.	Part No.	Description				
C914	1-125-837-91	CERAMIC CHIP	1uF	10%	6.3V		C1050	1-117-863-11	CERAMIC CHIP	0.47uF	10%	6.3V	
C915	1-164-943-11	CERAMIC CHIP	0.01uF	10%	16V		C1051	1-117-919-11	TANTAL. CHIP	10uF	20%	6.3V	
C916	1-125-837-91	CERAMIC CHIP	1uF	10%	6.3V		C1052	1-135-072-21	TANTAL. CHIP	0.22uF	20%	35V	
C917	1-125-837-91	CERAMIC CHIP	1uF	10%	6.3V		C1053	1-135-210-11	TANTAL. CHIP	4.7uF	20%	10V	
C918	1-125-837-91	CERAMIC CHIP	1uF	10%	6.3V		C1054	1-117-919-11	TANTAL. CHIP	10uF	20%	6.3V	
C919	1-164-943-11	CERAMIC CHIP	0.01uF	10%	16V		C1055	1-117-863-11	CERAMIC CHIP	0.47uF	10%	6.3V	
C920	1-164-943-11	CERAMIC CHIP	0.01uF	10%	16V		C1056	1-117-919-11	TANTAL. CHIP	10uF	20%	6.3V	
C921	1-164-943-11	CERAMIC CHIP	0.01uF	10%	16V		C1058	1-117-863-11	CERAMIC CHIP	0.47uF	10%	6.3V	
C922	1-125-837-91	CERAMIC CHIP	1uF	10%	6.3V		C1059	1-125-837-91	CERAMIC CHIP	1uF	10%	6.3V	
C926	1-107-826-11	CERAMIC CHIP	0.1uF	10%	16V		C1060	1-117-919-11	TANTAL. CHIP	10uF	20%	6.3V	
C928	1-164-943-11	CERAMIC CHIP	0.01uF	10%	16V		C1061	1-117-863-11	CERAMIC CHIP	0.47uF	10%	6.3V	
C929	1-125-777-11	CERAMIC CHIP	0.1uF	10%	10V		C1062	1-117-919-11	TANTAL. CHIP	10uF	20%	6.3V	
C930	1-125-777-11	CERAMIC CHIP	0.1uF	10%	10V		C1067	1-164-943-11	CERAMIC CHIP	0.01uF	10%	16V	
C931	1-125-777-11	CERAMIC CHIP	0.1uF	10%	10V		C1068	1-107-826-11	CERAMIC CHIP	0.1uF	10%	16V	
C932	1-164-943-11	CERAMIC CHIP	0.01uF	10%	16V		C1075	1-117-919-11	TANTAL. CHIP	10uF	20%	6.3V	
C933	1-117-919-11	TANTAL. CHIP	10uF	20%	6.3V		C1076	1-117-919-11	TANTAL. CHIP	10uF	20%	6.3V	
C934	1-125-777-11	CERAMIC CHIP	0.1uF	10%	10V		C1077	1-164-942-11	CERAMIC CHIP	0.0068uF	10%	16V	
C935	1-164-858-11	CERAMIC CHIP	22PF	5%	50V		C1078	1-125-837-91	CERAMIC CHIP	1uF	10%	6.3V	
C936	1-164-864-11	CERAMIC CHIP	39PF	5%	50V		C1079	1-125-837-91	CERAMIC CHIP	1uF	10%	6.3V	
C1002	1-104-851-11	TANTAL. CHIP	10uF	20%	10V		C1090	1-164-935-11	CERAMIC CHIP	470PF	10%	50V	
C1003	1-117-863-11	CERAMIC CHIP	0.47uF	10%	6.3V		C1091	1-164-935-11	CERAMIC CHIP	470PF	10%	50V	
C1005	1-110-569-11	TANTAL. CHIP	47uF	20%	6.3V		C1092	1-125-777-11	CERAMIC CHIP	0.1uF	10%	10V	
C1006	1-110-569-11	TANTAL. CHIP	47uF	20%	6.3V		C1093	1-104-851-11	TANTAL. CHIP	10uF	20%	10V	
C1007	1-104-851-11	TANTAL. CHIP	10uF	20%	10V		C1094	1-107-826-11	CERAMIC CHIP	0.1uF	10%	16V	
C1008	1-135-072-21	TANTAL. CHIP	0.22uF	20%	35V		C1095	1-117-919-11	TANTAL. CHIP	10uF	20%	6.3V	
C1009	1-135-210-11	TANTAL. CHIP	4.7uF	20%	10V		C1101	1-125-777-11	CERAMIC CHIP	0.1uF	10%	10V	
C1010	1-117-919-11	TANTAL. CHIP	10uF	20%	6.3V		C1102	1-115-156-11	CERAMIC CHIP	1uF	10%	10V	
C1011	1-117-863-11	CERAMIC CHIP	0.47uF	10%	6.3V		C1103	1-109-982-11	CERAMIC CHIP	1uF	10%	10V	
C1013	1-117-919-11	TANTAL. CHIP	10uF	20%	6.3V		C1104	1-164-943-11	CERAMIC CHIP	0.01uF	10%	16V	
C1014	1-131-623-91	TANTAL. CHIP	15uF	20%	4V		C1105	1-125-777-11	CERAMIC CHIP	0.1uF	10%	10V	
C1015	1-164-943-11	CERAMIC CHIP	0.01uF	10%	16V		C1106	1-104-851-11	TANTAL. CHIP	10uF	20%	10V	
C1016	1-164-943-11	CERAMIC CHIP	0.01uF	10%	16V		C1107	1-119-749-11	TANTAL. CHIP	33uF	20%	4V	
C1017	1-117-919-11	TANTAL. CHIP	10uF	20%	6.3V		C1108	1-164-943-11	CERAMIC CHIP	0.01uF	10%	16V	
C1018	1-125-777-11	CERAMIC CHIP	0.1uF	10%	10V		C1109	1-164-943-11	CERAMIC CHIP	0.01uF	10%	16V	
C1019	1-125-777-11	CERAMIC CHIP	0.1uF	10%	10V		C1110	1-164-943-11	CERAMIC CHIP	0.01uF	10%	16V	
C1020	1-117-863-11	CERAMIC CHIP	0.47uF	10%	6.3V		C1111	1-164-943-11	CERAMIC CHIP	0.01uF	10%	16V	
C1021	1-117-919-11	TANTAL. CHIP	10uF	20%	6.3V		C1112	1-164-943-11	CERAMIC CHIP	0.01uF	10%	16V	
C1022	1-117-863-11	CERAMIC CHIP	0.47uF	10%	6.3V		C1113	1-164-943-11	CERAMIC CHIP	0.01uF	10%	16V	
C1023	1-117-863-11	CERAMIC CHIP	0.47uF	10%	6.3V		C1114	1-164-943-11	CERAMIC CHIP	0.01uF	10%	16V	
C1024	1-117-919-11	TANTAL. CHIP	10uF	20%	6.3V		C1115	1-164-943-11	CERAMIC CHIP	0.01uF	10%	16V	
C1025	1-107-819-11	CERAMIC CHIP	0.022uF	10%	16V		C1116	1-164-943-11	CERAMIC CHIP	0.01uF	10%	16V	
C1026	1-117-863-11	CERAMIC CHIP	0.47uF	10%	6.3V		C1117	1-164-943-11	CERAMIC CHIP	0.01uF	10%	16V	
C1027	1-125-837-91	CERAMIC CHIP	1uF	10%	6.3V		C1118	1-164-943-11	CERAMIC CHIP	0.01uF	10%	16V	
C1028	1-104-913-11	TANTAL. CHIP	10uF	20%	16V		C1119	1-164-943-11	CERAMIC CHIP	0.01uF	10%	16V	
C1029	1-125-837-91	CERAMIC CHIP	1uF	10%	6.3V		C1120	1-107-819-11	CERAMIC CHIP	0.022uF	10%	16V	
C1030	1-119-749-11	TANTAL. CHIP	33uF	20%	4V		C1121	1-164-943-11	CERAMIC CHIP	0.01uF	10%	16V	
C1031	1-125-837-91	CERAMIC CHIP	1uF	10%	6.3V		C1122	1-164-943-11	CERAMIC CHIP	0.01uF	10%	16V	
C1034	1-117-720-11	CERAMIC CHIP	4.7uF	10%	10V		C1127	1-164-942-11	CERAMIC CHIP	0.0068uF	10%	16V	
C1035	1-125-837-91	CERAMIC CHIP	1uF	10%	6.3V		C1128	1-164-852-11	CERAMIC CHIP	12PF	5%	50V	
C1036	1-117-919-11	TANTAL. CHIP	10uF	20%	6.3V		C1129	1-164-852-11	CERAMIC CHIP	12PF	5%	50V	
C1037	1-117-919-11	TANTAL. CHIP	10uF	20%	6.3V		C1130	1-125-777-11	CERAMIC CHIP	0.1uF	10%	10V	
C1038	1-164-943-11	CERAMIC CHIP	0.01uF	10%	16V		C1131	1-164-943-11	CERAMIC CHIP	0.01uF	10%	16V	
C1040	1-117-919-11	TANTAL. CHIP	10uF	20%	6.3V		C1132	1-164-943-11	CERAMIC CHIP	0.01uF	10%	16V	
C1041	1-125-837-91	CERAMIC CHIP	1uF	10%	6.3V		C1301	1-164-943-11	CERAMIC CHIP	0.01uF	10%	16V	
C1042	1-117-863-11	CERAMIC CHIP	0.47uF	10%	6.3V		C1302	1-164-943-11	CERAMIC CHIP	0.01uF	10%	16V	
C1045	1-104-851-11	TANTAL. CHIP	10uF	20%	10V		C1304	1-115-467-11	CERAMIC CHIP	0.22uF	10%	10V	
C1046	1-125-837-91	CERAMIC CHIP	1uF	10%	6.3V		C1305	1-125-837-91	CERAMIC CHIP	1uF	10%	6.3V	
C1047	1-164-942-11	CERAMIC CHIP	0.0068uF	10%	16V		C1306	1-125-837-91	CERAMIC CHIP	1uF	10%	6.3V	
C1048	1-125-837-91	CERAMIC CHIP	1uF	10%	6.3V		C1307	1-164-943-11	CERAMIC CHIP	0.01uF	10%	16V	
C1049	1-117-863-11	CERAMIC CHIP	0.47uF	10%	6.3V		C1308	1-125-838-11	CERAMIC CHIP	2.2uF	10%	6.3V	

DSR-PD170/PD170P/PD190P

VC-358D

Ref. No.	Part No.	Description				Ref. No.	Part No.	Description			
C1309	1-164-677-11	CERAMIC CHIP	0.033uF	10%	16V	C1819	1-125-838-11	CERAMIC CHIP	2.2uF	10%	6.3V
C1310	1-125-838-11	CERAMIC CHIP	2.2uF	10%	6.3V	C1822	1-115-566-11	CERAMIC CHIP	4.7uF	10%	10V
C1311	1-125-838-11	CERAMIC CHIP	2.2uF	10%	6.3V	C1823	1-164-505-11	CERAMIC CHIP	2.2uF	10%	16V
C1312	1-125-837-91	CERAMIC CHIP	1uF	10%	6.3V	C1824	1-162-970-11	CERAMIC CHIP	0.01uF	10%	25V
C1313	1-117-919-11	TANTAL. CHIP	10uF	20%	6.3V			< CONNECTOR >			
C1314	1-125-837-91	CERAMIC CHIP	1uF	10%	6.3V	CN002	1-784-421-11	CONNECTOR, FFC/FPC (ZIF) 27P			
C1315	1-164-943-11	CERAMIC CHIP	0.01uF	10%	16V	CN003	1-766-346-21	CONNECTOR, FFC/FPC 16P			
C1316	1-125-837-91	CERAMIC CHIP	1uF	10%	6.3V	CN004	1-766-343-21	CONNECTOR, FFC/FPC 13P			
C1318	1-125-837-91	CERAMIC CHIP	1uF	10%	6.3V	CN006	1-785-432-21	CONNECTOR, BOARD TO BOARD 40P			
C1319	1-164-217-11	CERAMIC CHIP	150PF	5%	50V	CN007	1-766-350-21	CONNECTOR, FFC/FPC 20P			
C1320	1-164-937-11	CERAMIC CHIP	0.001uF	10%	50V	CN008	1-766-884-41	CONNECTOR, BOARD TO BOARD 50P			
C1321	1-164-943-11	CERAMIC CHIP	0.01uF	10%	16V	CN009	1-779-331-11	CONNECTOR, FFC/FPC 14P			
C1322	1-125-777-11	CERAMIC CHIP	0.1uF	10%	10V	CN020	1-766-341-21	CONNECTOR, FFC/FPC 11P			
C1328	1-164-943-11	CERAMIC CHIP	0.01uF	10%	16V	CN021	1-778-084-11	CONNECTOR, BOARD TO BOARD 60P			
C1329	1-164-943-11	CERAMIC CHIP	0.01uF	10%	16V	CN022	1-784-421-11	CONNECTOR, FFC/FPC (ZIF) 27P			
C1330	1-127-569-91	TANTAL. CHIP	100uF	20%	4V	CN023	1-778-086-21	CONNECTOR, BOARD TO BOARD 80P			
C1332	1-104-851-11	TANTAL. CHIP	10uF	20%	10V	CN024	1-784-421-11	CONNECTOR, FFC/FPC (ZIF) 27P			
C1337	1-125-838-11	CERAMIC CHIP	2.2uF	10%	6.3V	CN025	1-778-083-21	CONNECTOR, BOARD TO BOARD 50P			
C1338	1-125-838-11	CERAMIC CHIP	2.2uF	10%	6.3V	CN101	1-766-340-21	CONNECTOR, FFC/FPC 10P			
C1340	1-127-569-91	TANTAL. CHIP	100uF	20%	4V			< DIODE >			
C1341	1-127-569-91	TANTAL. CHIP	100uF	20%	4V	D001	8-719-064-61	DIODE 01BZA8.2 (TE85L)			
C1342	1-127-569-91	TANTAL. CHIP	100uF	20%	4V	D002	8-719-064-61	DIODE 01BZA8.2 (TE85L)			
C1343	1-164-858-11	CERAMIC CHIP	22PF	5%	50V	D003	8-719-064-61	DIODE 01BZA8.2 (TE85L)			
C1401	1-125-777-11	CERAMIC CHIP	0.1uF	10%	10V	D004	8-719-064-61	DIODE 01BZA8.2 (TE85L)			
C1407	1-125-777-11	CERAMIC CHIP	0.1uF	10%	10V	D005	8-719-064-61	DIODE 01BZA8.2 (TE85L)			
C1408	1-117-919-11	TANTAL. CHIP	10uF	20%	6.3V	D007	8-719-073-03	DIODE MA8082-(K8).SO			
C1409	1-164-360-11	CERAMIC CHIP	0.1uF	10%	16V	D301	8-719-027-95	DIODE HSM88WK			
C1410	1-164-315-11	CERAMIC CHIP	470PF	5%	50V	D302	8-719-055-86	DIODE KV1470TL1-3			
C1411	1-125-777-11	CERAMIC CHIP	0.1uF	10%	10V	D303	8-719-027-95	DIODE HSM88WK			
C1412	1-117-919-11	TANTAL. CHIP	10uF	20%	6.3V	D304	8-719-055-86	DIODE KV1470TL1-3			
C1413	1-125-777-11	CERAMIC CHIP	0.1uF	10%	10V	D701	8-719-082-63	DIODE 1SV329 (TPL3)			
C1414	1-164-360-11	CERAMIC CHIP	0.1uF	10%	16V	D702	8-719-046-91	DIODE MA2S111			
C1415	1-125-777-11	CERAMIC CHIP	0.1uF	10%	10V	D1102	8-719-073-01	DIODE MA111-(K8).SO			
C1416	1-117-919-11	TANTAL. CHIP	10uF	20%	6.3V	D1103	8-719-073-01	DIODE MA111-(K8).SO			
C1417	1-125-777-11	CERAMIC CHIP	0.1uF	10%	10V	D1104	8-719-421-27	DIODE MA728			
C1418	1-117-919-11	TANTAL. CHIP	10uF	20%	6.3V	D1105	8-719-073-01	DIODE MA111-(K8).SO			
C1419	1-117-919-11	TANTAL. CHIP	10uF	20%	6.3V	D1106	8-719-073-01	DIODE MA111-(K8).SO			
C1420	1-164-850-11	CERAMIC CHIP	10PF	0.5PF	50V	D1401	8-719-056-23	DIODE MA2S111-(K8).SO			
C1421	1-164-850-11	CERAMIC CHIP	10PF	0.5PF	50V	D1802	8-719-084-46	DIODE 1SV288 (TPH3)			
C1422	1-125-777-11	CERAMIC CHIP	0.1uF	10%	10V			< FERRITE BEAD >			
C1423	1-117-919-11	TANTAL. CHIP	10uF	20%	6.3V	FB101	1-414-760-21	FERRITE, EMI (SMD) (1608)			
C1424	1-164-943-11	CERAMIC CHIP	0.01uF	10%	16V	FB301	1-414-760-21	FERRITE, EMI (SMD) (1608)			
C1425	1-164-943-11	CERAMIC CHIP	0.01uF	10%	16V	FB302	1-414-760-21	FERRITE, EMI (SMD) (1608)			
C1426	1-125-777-11	CERAMIC CHIP	0.1uF	10%	10V	FB303	1-414-760-21	FERRITE, EMI (SMD) (1608)			
C1427	1-125-777-11	CERAMIC CHIP	0.1uF	10%	10V	FB304	1-414-760-21	FERRITE, EMI (SMD) (1608)			
C1428	1-117-919-11	TANTAL. CHIP	10uF	20%	6.3V	FB305	1-414-760-21	FERRITE, EMI (SMD) (1608)			
C1801	1-119-750-11	TANTAL. CHIP	22uF	20%	6.3V	FB306	1-414-760-21	FERRITE, EMI (SMD) (1608)			
C1802	1-125-777-11	CERAMIC CHIP	0.1uF	10%	10V	FB307	1-414-760-21	FERRITE, EMI (SMD) (1608)			
C1805	1-164-943-11	CERAMIC CHIP	0.01uF	10%	16V	FB501	1-414-760-21	FERRITE, EMI (SMD) (1608)			
C1806	1-164-943-11	CERAMIC CHIP	0.01uF	10%	16V	FB702	1-414-445-11	FERRITE, EMI (SMD) (1608)			
C1807	1-164-943-11	CERAMIC CHIP	0.01uF	10%	16V	FB703	1-414-445-11	FERRITE, EMI (SMD) (1608)			
C1808	1-125-777-11	CERAMIC CHIP	0.1uF	10%	10V	FB704	1-414-445-11	FERRITE, EMI (SMD) (1608)			
C1810	1-164-739-11	CERAMIC CHIP	560PF	5%	50V	FB705	1-500-284-21	INDUCTOR, FERRITE BEAD			
C1811	1-125-777-11	CERAMIC CHIP	0.1uF	10%	10V	FB706	1-414-445-11	FERRITE, EMI (SMD) (1608)			
C1812	1-100-502-11	TANTAL. CHIP	3.3uF	20%	25V	FB707	1-414-445-11	FERRITE, EMI (SMD) (1608)			
C1813	1-164-357-11	CERAMIC CHIP	0.001uF	5%	50V						
C1814	1-107-826-11	CERAMIC CHIP	0.1uF	10%	16V						
C1815	1-164-872-11	CERAMIC CHIP	82PF	5%	50V						
C1817	1-125-838-11	CERAMIC CHIP	2.2uF	10%	6.3V						
C1818	1-125-838-11	CERAMIC CHIP	2.2uF	10%	6.3V						

Ref. No.	Part No.	Description	Ref. No.	Part No.	Description
FB771	1-414-445-11	FERRITE, EMI (SMD) (1608)	IC1406	8-759-566-20	IC AK6440BH-E2
FB772	1-414-445-11	FERRITE, EMI (SMD) (1608)	IC1407	8-752-398-08	IC CXD3133AGA-T6
FB901	1-414-760-21	FERRITE, EMI (SMD) (1608)	IC1408	8-759-643-81	IC MSM51V18160DSL-6LFS1
FB1002	1-500-329-21	INDUCTOR, FERRITE BEAD	IC1409	8-759-642-42	IC RC5V834/E2
FB1101	1-500-329-21	INDUCTOR, FERRITE BEAD	IC1410	8-759-584-32	IC MB86189PFV-G-BND-ER-E1
FB1301	1-414-760-21	FERRITE, EMI (SMD) (1608)	IC1411	8-759-058-60	IC TC7SU04FU (TE85R)
FB1402	1-543-955-22	BEAD, FERRITE (CHIP) (1608)	IC1412	8-759-644-18	IC ML2201-100MBZ060
FB1403	1-543-960-22	BEAD, FERRITE (CHIP) (2012)	IC1802	8-759-660-93	IC RB5P004AM1
FB1404	1-543-955-22	BEAD, FERRITE (CHIP) (1608)	IC1803	8-752-405-57	IC CXD3501AR-T4
FB1405	1-543-955-22	BEAD, FERRITE (CHIP) (1608)			< COIL >
FB1406	1-543-955-22	BEAD, FERRITE (CHIP) (1608)	L101	1-414-771-91	INDUCTOR 10uH
FB1407	1-543-955-22	BEAD, FERRITE (CHIP) (1608)	L102	1-414-771-91	INDUCTOR 10uH
FB1408	1-500-284-21	INDUCTOR, FERRITE BEAD	L103	1-414-771-91	INDUCTOR 10uH
FB1409	1-500-284-21	INDUCTOR, FERRITE BEAD	L303	1-412-936-11	INDUCTOR 0.56uH
FB1801	1-414-760-21	FERRITE, EMI (SMD) (1608)	L304	1-414-246-11	INDUCTOR 1.8uH
		< IC >	L305	1-414-754-11	INDUCTOR 10uH
IC101	8-752-086-52	IC CXA2071R-T4	L306	1-414-771-91	INDUCTOR 10uH
IC102	8-752-086-53	IC CXA2072R-T4	L307	1-469-525-91	INDUCTOR 10uH
IC301	8-759-650-63	IC CSP	L401	1-414-771-91	INDUCTOR 10uH
IC302	8-759-677-31	IC MB90099PFV-G-103-BND-ER	L402	1-414-771-91	INDUCTOR 10uH
IC361	6-700-553-01	IC SN104266BGGM-TEB	L701	1-414-754-11	INDUCTOR 10uH
IC401	8-759-652-08	IC CXA8099ER-TBM-E	L702	1-414-755-11	INDUCTOR 22uH
IC402	8-759-657-68	IC SC111319FTBEB	L710	1-414-755-11	INDUCTOR 22uH
IC501	6-803-733-01	IC MB91192LGA-G-162-ER	L801	1-414-754-11	INDUCTOR 10uH
IC502	8-759-593-47	IC AK6417AM-E2	L802	1-412-951-11	INDUCTOR 10uH
IC701	8-752-397-67	IC CXD3400N-T4	L901	1-414-771-91	INDUCTOR 10uH
IC702	8-752-397-67	IC CXD3400N-T4	L902	1-414-771-91	INDUCTOR 10uH
IC704	8-752-083-11	IC CXA2107R	L1001	1-414-754-11	INDUCTOR 10uH
IC705	8-752-408-78	IC CXD2484AR-T4	L1002	1-469-058-11	INDUCTOR 22uH
IC706	8-759-598-08	IC AK5483-L	L1003	1-414-754-11	INDUCTOR 10uH
IC707	8-759-075-66	IC TA75S01F	L1004	1-414-754-11	INDUCTOR 10uH
IC771	8-752-397-00	IC CXD3116AR-T6	L1073	1-414-754-11	INDUCTOR 10uH
IC801	8-759-445-94	IC AK6480AM-E2	L1301	1-414-771-91	INDUCTOR 10uH
IC802	8-753-212-65	IC CXP972048-025R-T6	L1302	1-414-771-91	INDUCTOR 10uH
IC803	8-759-426-25	IC MB88346LPFV-G-BND-ER	L1303	1-412-939-11	INDUCTOR 1uH
IC903	6-701-682-01	IC MB87L4261PFV-G-BND-ER	L1304	1-414-771-91	INDUCTOR 10uH
IC1001	8-759-689-59	IC LA74207FN-TBM-E	L1801	1-469-058-11	INDUCTOR 22uH
IC1002	8-759-647-71	IC AK4550VT-E2	L1802	1-412-945-11	INDUCTOR 3.3uH
IC1003	8-759-680-44	IC TLC2272CDR	L1803	1-414-771-91	INDUCTOR 10uH
IC1004	8-759-689-59	IC LA74207FN-TBM-E			< TRANSISTOR >
IC1005	8-759-430-57	IC M62367GP-75ED	Q001	8-729-028-27	TRANSISTOR 2SK2009 (TE85L)
IC1008	8-759-111-56	IC uPC4572G2	Q003	8-729-037-72	TRANSISTOR UN9211J-(TX).SO
IC1009	8-759-075-66	IC TA75S01F	Q004	8-729-037-72	TRANSISTOR UN9211J-(TX).SO
IC1010	8-759-259-10	IC M5201AFP-T1	Q102	8-729-042-26	TRANSISTOR 2SB1462J-QR (K8).SO
IC1012	8-759-259-10	IC M5201AFP-T1	Q302	8-729-042-26	TRANSISTOR 2SB1462J-QR (K8).SO
IC1092	6-701-112-01	IC DS1801E-02V-T/R	Q304	8-729-042-26	TRANSISTOR 2SB1462J-QR (K8).SO
IC1101	8-759-580-27	IC S-81236SGUP-DQ7-T1	Q305	8-729-042-26	TRANSISTOR 2SB1462J-QR (K8).SO
IC1102	8-759-424-79	IC S-8423YFS-T2	Q306	8-729-042-26	TRANSISTOR 2SB1462J-QR (K8).SO
IC1103	8-759-642-45	IC TL1596CPWR	Q307	8-729-042-26	TRANSISTOR 2SB1462J-QR (K8).SO
IC1104	8-753-209-85	IC CXP921064A-085GA-T6	Q308	8-729-042-26	TRANSISTOR 2SB1462J-QR (K8).SO
IC1105	8-759-566-20	IC AK6440BH-E2	Q401	8-729-037-52	TRANSISTOR 2SD2216J-QR (TX).SO
IC1301	6-701-555-01	IC AN2225NFHQBA	Q402	8-729-049-91	TRANSISTOR 2SA2018H-T2L
IC1401	8-759-692-19	IC HD6437044P15XSZ	Q701	8-729-042-68	TRANSISTOR UN911FJ-(K8).SO
IC1402	8-759-234-20	IC TC7S08F	Q702	8-729-037-74	TRANSISTOR UN9213J-(TX).SO
IC1403	8-759-643-81	IC MSM51V18160DSL-6LFS1	Q801	8-729-037-72	TRANSISTOR UN9211J-(TX).SO
IC1405	8-759-327-60	IC TC7W125FU-TE12R			

DSR-PD170/PD170P/PD190P

VC-358D

Ref. No.	Part No.	Description	Ref. No.	Part No.	Description						
Q902	8-729-042-26	TRANSISTOR	R110	1-218-949-11	RES-CHIP	470	5%	1/16W			
Q903	8-729-037-52	TRANSISTOR	R112	1-218-966-11	RES-CHIP	12K	5%	1/16W			
Q904	8-729-049-91	TRANSISTOR	R113	1-218-961-11	RES-CHIP	4.7K	5%	1/16W			
Q905	8-729-037-74	TRANSISTOR	R114	1-218-965-11	RES-CHIP	10K	5%	1/16W			
Q906	8-729-042-26	TRANSISTOR	R115	1-218-969-11	RES-CHIP	22K	5%	1/16W			
Q1001	8-729-037-71	TRANSISTOR	R116	1-208-910-11	METAL CHIP	9.1K	0.5%	1/16W			
Q1002	8-729-037-52	TRANSISTOR	R117	1-208-909-11	METAL CHIP	8.2K	0.5%	1/16W			
Q1003	8-729-037-71	TRANSISTOR	R118	1-218-969-11	RES-CHIP	22K	5%	1/16W			
Q1004	8-729-037-63	TRANSISTOR	R120	1-218-945-11	RES-CHIP	220	5%	1/16W			
Q1005	8-729-037-52	TRANSISTOR	R122	1-218-945-11	RES-CHIP	220	5%	1/16W			
Q1006	8-729-037-52	TRANSISTOR	R123	1-218-945-11	RES-CHIP	220	5%	1/16W			
Q1007	8-729-117-32	TRANSISTOR	R124	1-218-945-11	RES-CHIP	220	5%	1/16W			
Q1008	8-729-037-63	TRANSISTOR	R125	1-216-864-11	SHORT CHIP	0					
Q1009	8-729-037-52	TRANSISTOR	R126	1-216-864-11	SHORT CHIP	0					
Q1010	8-729-037-74	TRANSISTOR	R127	1-218-939-11	RES-CHIP	68	5%	1/16W			
Q1011	8-729-024-39	TRANSISTOR	R305	1-218-990-11	SHORT CHIP	0					
Q1014	8-729-037-63	TRANSISTOR	R306	1-218-990-11	SHORT CHIP	0					
Q1015	8-729-037-74	TRANSISTOR	R310	1-218-965-11	RES-CHIP	10K	5%	1/16W			
Q1016	8-729-037-74	TRANSISTOR	R311	1-218-965-11	RES-CHIP	10K	5%	1/16W			
Q1101	8-729-037-52	TRANSISTOR	R312	1-218-946-11	RES-CHIP	270	5%	1/16W			
Q1102	8-729-037-52	TRANSISTOR	R313	1-218-990-11	SHORT CHIP	0					
Q1103	8-729-037-74	TRANSISTOR	R314	1-218-990-11	SHORT CHIP	0					
Q1104	8-729-041-43	TRANSISTOR	R315	1-208-695-11	METAL CHIP	3.3K	0.5%	1/16W			
Q1105	8-729-037-74	TRANSISTOR	R316	1-208-695-11	METAL CHIP	3.3K	0.5%	1/16W			
Q1106	8-729-042-58	TRANSISTOR	R317	1-218-959-11	RES-CHIP	3.3K	5%	1/16W			
Q1107	8-729-042-26	TRANSISTOR	R318	1-218-965-11	RES-CHIP	10K	5%	1/16W			
Q1108	8-729-037-61	TRANSISTOR	R319	1-218-965-11	RES-CHIP	10K	5%	1/16W			
Q1109	8-729-049-91	TRANSISTOR	R320	1-218-957-11	RES-CHIP	2.2K	5%	1/16W			
Q1112	8-729-042-26	TRANSISTOR	R321	1-218-959-11	RES-CHIP	3.3K	5%	1/16W			
Q1113	8-729-037-52	TRANSISTOR	R322	1-218-941-81	RES-CHIP	100	5%	1/16W			
Q1301	8-729-037-52	TRANSISTOR	R323	1-218-947-11	RES-CHIP	330	5%	1/16W			
Q1302	8-729-037-61	TRANSISTOR	R324	1-218-961-11	RES-CHIP	4.7K	5%	1/16W			
Q1303	8-729-049-25	TRANSISTOR	R325	1-218-937-11	RES-CHIP	47	5%	1/16W			
Q1305	8-729-049-25	TRANSISTOR	R326	1-218-990-11	SHORT CHIP	0					
Q1401	8-729-037-74	TRANSISTOR	R328	1-208-683-11	METAL CHIP	1K	0.5%	1/16W			
Q1402	8-729-037-74	TRANSISTOR	R331	1-208-699-11	METAL CHIP	4.7K	0.5%	1/16W			
Q1403	8-729-037-61	TRANSISTOR	R334	1-208-683-11	METAL CHIP	1K	0.5%	1/16W			
Q1404	8-729-037-74	TRANSISTOR	R336	1-208-699-11	METAL CHIP	4.7K	0.5%	1/16W			
Q1405	8-729-042-26	TRANSISTOR	R338	1-208-885-11	METAL CHIP	820	0.5%	1/16W			
			R340	1-208-683-11	METAL CHIP	1K	0.5%	1/16W			
< RESISTOR >											
R001	1-218-977-11	RES-CHIP	100K	5%	1/16W	R341	1-218-955-11	RES-CHIP	1.5K	5%	1/16W
R002	1-218-954-11	RES-CHIP	1.2K	5%	1/16W	R343	1-208-699-11	METAL CHIP	4.7K	0.5%	1/16W
R003	1-218-955-11	RES-CHIP	1.5K	5%	1/16W	R351	1-218-946-11	RES-CHIP	270	5%	1/16W
R004	1-218-959-11	RES-CHIP	3.3K	5%	1/16W	R356	1-218-957-11	RES-CHIP	2.2K	5%	1/16W
R005	1-218-963-11	RES-CHIP	6.8K	5%	1/16W	R358	1-218-943-11	RES-CHIP	150	5%	1/16W
R007	1-218-961-11	RES-CHIP	4.7K	5%	1/16W	R360	1-218-957-11	RES-CHIP	2.2K	5%	1/16W
R008	1-218-990-11	SHORT CHIP	0			R361	1-208-709-11	METAL CHIP	12K	0.5%	1/16W
R010	1-218-990-11	SHORT CHIP	0			R364	1-208-709-11	METAL CHIP	12K	0.5%	1/16W
R020	1-216-833-11	METAL CHIP	10K	5%	1/10W	R367	1-218-938-11	RES-CHIP	56	5%	1/16W
R021	1-216-833-11	METAL CHIP	10K	5%	1/10W	R368	1-218-938-11	RES-CHIP	56	5%	1/16W
R022	1-216-833-11	METAL CHIP	10K	5%	1/10W	R369	1-208-707-11	METAL CHIP	10K	0.5%	1/16W
R023	1-216-803-11	METAL CHIP	33	5%	1/10W	R370	1-218-938-11	RES-CHIP	56	5%	1/16W
R024	1-216-803-11	METAL CHIP	33	5%	1/10W	R371	1-208-707-11	METAL CHIP	10K	0.5%	1/16W
R103	1-218-965-11	RES-CHIP	10K	5%	1/16W	R372	1-218-938-11	RES-CHIP	56	5%	1/16W
R104	1-218-963-11	RES-CHIP	6.8K	5%	1/16W	R377	1-218-941-81	RES-CHIP	100	5%	1/16W
R105	1-218-990-11	SHORT CHIP	0			R378	1-218-941-81	RES-CHIP	100	5%	1/16W
R106	1-218-989-11	RES-CHIP	1M	5%	1/16W	R379	1-218-941-81	RES-CHIP	100	5%	1/16W
R107	1-218-979-11	RES-CHIP	150K	5%	1/16W	R380	1-218-941-81	RES-CHIP	100	5%	1/16W
R108	1-218-966-11	RES-CHIP	12K	5%	1/16W	R381	1-218-941-81	RES-CHIP	100	5%	1/16W
R109	1-218-965-11	RES-CHIP	10K	5%	1/16W	R382	1-218-990-11	SHORT CHIP	0		

Ref. No.	Part No.	Description				Ref. No.	Part No.	Description			
R383	1-218-990-11	SHORT CHIP	0			R524	1-218-965-11	RES-CHIP	10K	5%	1/16W
R384	1-218-990-11	SHORT CHIP	0			R525	1-218-973-11	RES-CHIP	47K	5%	1/16W
R385	1-218-990-11	SHORT CHIP	0			R526	1-218-985-11	RES-CHIP	470K	5%	1/16W
R401	1-218-961-11	RES-CHIP	4.7K	5%	1/16W	R527	1-218-977-11	RES-CHIP	100K	5%	1/16W
R402	1-218-965-11	RES-CHIP	10K	5%	1/16W	R528	1-218-977-11	RES-CHIP	100K	5%	1/16W
R403	1-218-965-11	RES-CHIP	10K	5%	1/16W	R531	1-218-985-11	RES-CHIP	470K	5%	1/16W
R404	1-218-975-11	RES-CHIP	68K	5%	1/16W	R532	1-218-977-11	RES-CHIP	100K	5%	1/16W
R405	1-218-975-11	RES-CHIP	68K	5%	1/16W	R701	1-218-977-11	RES-CHIP	100K	5%	1/16W
R406	1-217-671-11	RES-CHIP	1	5%	1/10W	R707	1-218-990-11	SHORT CHIP	0		
R407	1-217-671-11	RES-CHIP	1	5%	1/10W	R708	1-218-990-11	SHORT CHIP	0		
R408	1-218-959-11	RES-CHIP	3.3K	5%	1/16W	R709	1-208-683-11	METAL CHIP	1K	0.5%	1/16W
R409	1-218-977-11	RES-CHIP	100K	5%	1/16W	R710	1-208-712-11	METAL CHIP	16K	0.5%	1/16W
R410	1-218-957-11	RES-CHIP	2.2K	5%	1/16W	R711	1-208-713-11	METAL CHIP	18K	0.5%	1/16W
R411	1-218-968-11	RES-CHIP	18K	5%	1/16W	R712	1-218-934-11	RES-CHIP	27	5%	1/16W
R412	1-218-990-11	SHORT CHIP	0			R713	1-218-934-11	RES-CHIP	27	5%	1/16W
R416	1-218-965-11	RES-CHIP	10K	5%	1/16W	R714	1-208-713-11	METAL CHIP	18K	0.5%	1/16W
R417	1-218-961-11	RES-CHIP	4.7K	5%	1/16W	R715	1-218-935-11	RES-CHIP	33	5%	1/16W
R418	1-218-977-11	RES-CHIP	100K	5%	1/16W	R716	1-218-935-11	RES-CHIP	33	5%	1/16W
R419	1-218-969-11	RES-CHIP	22K	5%	1/16W	R717	1-218-935-11	RES-CHIP	33	5%	1/16W
R421	1-217-671-11	RES-CHIP	1	5%	1/10W	R718	1-208-713-11	METAL CHIP	18K	0.5%	1/16W
R422	1-217-671-11	RES-CHIP	1	5%	1/10W	R719	1-208-713-11	METAL CHIP	18K	0.5%	1/16W
R423	1-217-671-11	RES-CHIP	1	5%	1/10W	R720	1-208-713-11	METAL CHIP	18K	0.5%	1/16W
R424	1-218-946-11	RES-CHIP	270	5%	1/16W	R721	1-208-713-11	METAL CHIP	18K	0.5%	1/16W
R425	1-218-966-11	RES-CHIP	12K	5%	1/16W	R722	1-218-934-11	RES-CHIP	27	5%	1/16W
R426	1-218-977-11	RES-CHIP	100K	5%	1/16W	R723	1-218-934-11	RES-CHIP	27	5%	1/16W
R427	1-218-977-11	RES-CHIP	100K	5%	1/16W	R724	1-218-934-11	RES-CHIP	27	5%	1/16W
R428	1-218-977-11	RES-CHIP	100K	5%	1/16W	R725	1-218-934-11	RES-CHIP	27	5%	1/16W
R429	1-218-989-11	RES-CHIP	1M	5%	1/16W	R728	1-218-990-11	SHORT CHIP	0		
R430	1-216-789-11	METAL CHIP	2.2	5%	1/10W	R730	1-218-985-11	RES-CHIP	470K	5%	1/16W
R431	1-216-789-11	METAL CHIP	2.2	5%	1/10W	R731	1-218-937-11	RES-CHIP	47	5%	1/16W
R432	1-216-789-11	METAL CHIP	2.2	5%	1/10W	R733	1-218-962-11	RES-CHIP	5.6K	5%	1/16W
R434	1-218-959-11	RES-CHIP	3.3K	5%	1/16W	R734	1-218-965-11	RES-CHIP	10K	5%	1/16W
R435	1-218-955-11	RES-CHIP	1.5K	5%	1/16W	R735	1-218-990-11	SHORT CHIP	0		
R436	1-218-972-11	RES-CHIP	39K	5%	1/16W	R736	1-218-990-11	SHORT CHIP	0		
R437	1-218-990-11	SHORT CHIP	0			R737	1-218-990-11	SHORT CHIP	0		
R501	1-218-977-11	RES-CHIP	100K	5%	1/16W	R738	1-218-990-11	SHORT CHIP	0		
R502	1-218-977-11	RES-CHIP	100K	5%	1/16W	R739	1-218-990-11	SHORT CHIP	0		
R503	1-218-977-11	RES-CHIP	100K	5%	1/16W	R740	1-218-990-11	SHORT CHIP	0		
R504	1-218-977-11	RES-CHIP	100K	5%	1/16W	R762	1-208-908-11	METAL CHIP	7.5K	0.5%	1/16W
R505	1-218-985-11	RES-CHIP	470K	5%	1/16W	R764	1-218-959-11	RES-CHIP	3.3K	5%	1/16W
R507	1-218-953-11	RES-CHIP	1K	5%	1/16W	R765	1-218-990-11	SHORT CHIP	0		
R508	1-218-985-11	RES-CHIP	470K	5%	1/16W	R773	1-218-990-11	SHORT CHIP	0		
R509	1-218-985-11	RES-CHIP	470K	5%	1/16W	R801	1-218-977-11	RES-CHIP	100K	5%	1/16W
R510	1-218-985-11	RES-CHIP	470K	5%	1/16W	R802	1-218-977-11	RES-CHIP	100K	5%	1/16W
R511	1-218-985-11	RES-CHIP	470K	5%	1/16W	R803	1-218-977-11	RES-CHIP	100K	5%	1/16W
R512	1-218-985-11	RES-CHIP	470K	5%	1/16W	R804	1-218-989-11	RES-CHIP	1M	5%	1/16W
R513	1-218-953-11	RES-CHIP	1K	5%	1/16W	R805	1-218-989-11	RES-CHIP	1M	5%	1/16W
R514	1-218-961-11	RES-CHIP	4.7K	5%	1/16W	R806	1-218-953-11	RES-CHIP	1K	5%	1/16W
R515	1-218-990-11	SHORT CHIP	0			R807	1-218-989-11	RES-CHIP	1M	5%	1/16W
R516	1-218-977-11	RES-CHIP	100K	5%	1/16W	R808	1-218-989-11	RES-CHIP	1M	5%	1/16W
R517	1-218-973-11	RES-CHIP	47K	5%	1/16W	R809	1-218-953-11	RES-CHIP	1K	5%	1/16W
R518	1-218-981-11	RES-CHIP	220K	5%	1/16W	R812	1-218-977-11	RES-CHIP	100K	5%	1/16W
R519	1-218-953-11	RES-CHIP	1K	5%	1/16W	R813	1-218-977-11	RES-CHIP	100K	5%	1/16W
R520	1-218-943-11	RES-CHIP	150	5%	1/16W	R814	1-218-977-11	RES-CHIP	100K	5%	1/16W
R521	1-218-945-11	RES-CHIP	220	5%	1/16W	R815	1-218-953-11	RES-CHIP	1K	5%	1/16W
R522	1-218-943-11	RES-CHIP	150	5%	1/16W	R816	1-218-953-11	RES-CHIP	1K	5%	1/16W
R523	1-218-945-11	RES-CHIP	220	5%	1/16W	R818	1-218-953-11	RES-CHIP	1K	5%	1/16W
						R819	1-218-989-11	RES-CHIP	1M	5%	1/16W

DSR-PD170/PD170P/PD190P

VC-358D

Ref. No.	Part No.	Description				Ref. No.	Part No.	Description			
R820	1-218-973-11	RES-CHIP	47K	5%	1/16W	R1026	1-218-949-11	RES-CHIP	470	5%	1/16W
R822	1-218-953-11	RES-CHIP	1K	5%	1/16W	R1027	1-218-969-11	RES-CHIP	22K	5%	1/16W
R826	1-218-953-11	RES-CHIP	1K	5%	1/16W	R1029	1-218-949-11	RES-CHIP	470	5%	1/16W
R827	1-218-977-11	RES-CHIP	100K	5%	1/16W	R1030	1-218-965-11	RES-CHIP	10K	5%	1/16W
R828	1-218-953-11	RES-CHIP	1K	5%	1/16W	R1032	1-218-965-11	RES-CHIP	10K	5%	1/16W
R829	1-218-953-11	RES-CHIP	1K	5%	1/16W	R1033	1-218-973-11	RES-CHIP	47K	5%	1/16W
R830	1-218-989-11	RES-CHIP	1M	5%	1/16W	R1034	1-218-973-11	RES-CHIP	47K	5%	1/16W
R831	1-218-953-11	RES-CHIP	1K	5%	1/16W	R1035	1-218-961-11	RES-CHIP	4.7K	5%	1/16W
R833	1-218-977-11	RES-CHIP	100K	5%	1/16W	R1037	1-218-961-11	RES-CHIP	4.7K	5%	1/16W
R835	1-218-989-11	RES-CHIP	1M	5%	1/16W	R1041	1-218-953-11	RES-CHIP	1K	5%	1/16W
R836	1-218-985-11	RES-CHIP	470K	5%	1/16W	R1042	1-208-928-11	METAL CHIP	51K	0.5%	1/16W
R837	1-218-985-11	RES-CHIP	470K	5%	1/16W	R1043	1-208-719-11	METAL CHIP	33K	0.5%	1/16W
R838	1-218-977-11	RES-CHIP	100K	5%	1/16W	R1044	1-218-973-11	RES-CHIP	47K	5%	1/16W
R839	1-218-961-11	RES-CHIP	4.7K	5%	1/16W	R1045	1-218-965-11	RES-CHIP	10K	5%	1/16W
R840	1-218-961-11	RES-CHIP	4.7K	5%	1/16W	R1046	1-218-973-11	RES-CHIP	47K	5%	1/16W
R841	1-218-985-11	RES-CHIP	470K	5%	1/16W	R1047	1-218-973-11	RES-CHIP	47K	5%	1/16W
R842	1-218-985-11	RES-CHIP	470K	5%	1/16W	R1048	1-208-927-11	METAL CHIP	47K	0.5%	1/16W
R843	1-218-985-11	RES-CHIP	470K	5%	1/16W	R1049	1-218-973-11	RES-CHIP	47K	5%	1/16W
R850	1-218-977-11	RES-CHIP	100K	5%	1/16W	R1050	1-218-957-11	RES-CHIP	2.2K	5%	1/16W
R851	1-218-977-11	RES-CHIP	100K	5%	1/16W	R1051	1-218-977-11	RES-CHIP	100K	5%	1/16W
R852	1-218-977-11	RES-CHIP	100K	5%	1/16W	R1053	1-218-949-11	RES-CHIP	470	5%	1/16W
R853	1-218-953-11	RES-CHIP	1K	5%	1/16W	R1058	1-208-928-11	METAL CHIP	51K	0.5%	1/16W
R854	1-218-953-11	RES-CHIP	1K	5%	1/16W	R1072	1-218-953-11	RES-CHIP	1K	5%	1/16W
R907	1-218-965-11	RES-CHIP	10K	5%	1/16W	R1073	1-218-953-11	RES-CHIP	1K	5%	1/16W
R908	1-218-965-11	RES-CHIP	10K	5%	1/16W	R1074	1-218-954-11	RES-CHIP	1.2K	5%	1/16W
R909	1-218-973-11	RES-CHIP	47K	5%	1/16W	R1075	1-218-954-11	RES-CHIP	1.2K	5%	1/16W
R911	1-218-951-11	RES-CHIP	680	5%	1/16W	R1076	1-208-719-11	METAL CHIP	33K	0.5%	1/16W
R912	1-218-965-11	RES-CHIP	10K	5%	1/16W	R1077	1-218-973-11	RES-CHIP	47K	5%	1/16W
R916	1-218-949-11	RES-CHIP	470	5%	1/16W	R1078	1-208-927-11	METAL CHIP	47K	0.5%	1/16W
R924	1-218-990-11	SHORT CHIP	0			R1083	1-218-973-11	RES-CHIP	47K	5%	1/16W
R930	1-218-990-11	SHORT CHIP	0			R1084	1-218-973-11	RES-CHIP	47K	5%	1/16W
R936	1-218-990-11	SHORT CHIP	0			R1085	1-218-973-11	RES-CHIP	47K	5%	1/16W
R949	1-218-990-11	SHORT CHIP	0			R1086	1-208-910-11	METAL CHIP	9.1K	0.5%	1/16W
R953	1-218-990-11	SHORT CHIP	0			R1087	1-218-973-11	RES-CHIP	47K	5%	1/16W
R954	1-218-941-81	RES-CHIP	100	5%	1/16W	R1088	1-208-910-11	METAL CHIP	9.1K	0.5%	1/16W
R955	1-218-977-11	RES-CHIP	100K	5%	1/16W	R1092	1-218-990-11	SHORT CHIP	0		
R956	1-218-960-11	RES-CHIP	3.9K	5%	1/16W	R1093	1-218-977-11	RES-CHIP	100K	5%	1/16W
R957	1-218-957-11	RES-CHIP	2.2K	5%	1/16W	R1094	1-218-977-11	RES-CHIP	100K	5%	1/16W
R958	1-218-953-11	RES-CHIP	1K	5%	1/16W	R1103	1-218-973-11	RES-CHIP	47K	5%	1/16W
R1001	1-218-957-11	RES-CHIP	2.2K	5%	1/16W	R1104	1-218-961-11	RES-CHIP	4.7K	5%	1/16W
R1003	1-218-990-11	SHORT CHIP	0			R1106	1-218-977-11	RES-CHIP	100K	5%	1/16W
R1004	1-218-990-11	SHORT CHIP	0			R1107	1-218-953-11	RES-CHIP	1K	5%	1/16W
R1005	1-218-957-11	RES-CHIP	2.2K	5%	1/16W	R1108	1-218-985-11	RES-CHIP	470K	5%	1/16W
R1006	1-218-973-11	RES-CHIP	47K	5%	1/16W	R1109	1-218-990-11	SHORT CHIP	0		
R1007	1-218-937-11	RES-CHIP	47	5%	1/16W	R1110	1-218-953-11	RES-CHIP	1K	5%	1/16W
R1008	1-218-937-11	RES-CHIP	47	5%	1/16W	R1111	1-218-957-11	RES-CHIP	2.2K	5%	1/16W
R1009	1-218-957-11	RES-CHIP	2.2K	5%	1/16W	R1112	1-218-985-11	RES-CHIP	470K	5%	1/16W
R1010	1-218-953-11	RES-CHIP	1K	5%	1/16W	R1113	1-218-953-11	RES-CHIP	1K	5%	1/16W
R1011	1-218-973-11	RES-CHIP	47K	5%	1/16W	R1114	1-218-953-11	RES-CHIP	1K	5%	1/16W
R1012	1-218-937-11	RES-CHIP	47	5%	1/16W	R1115	1-218-977-11	RES-CHIP	100K	5%	1/16W
R1013	1-218-937-11	RES-CHIP	47	5%	1/16W	R1116	1-218-953-11	RES-CHIP	1K	5%	1/16W
R1014	1-218-957-11	RES-CHIP	2.2K	5%	1/16W	R1117	1-218-985-11	RES-CHIP	470K	5%	1/16W
R1015	1-218-960-11	RES-CHIP	3.9K	5%	1/16W	R1118	1-218-985-11	RES-CHIP	470K	5%	1/16W
R1016	1-218-973-11	RES-CHIP	47K	5%	1/16W	R1119	1-218-985-11	RES-CHIP	470K	5%	1/16W
R1020	1-218-971-11	RES-CHIP	33K	5%	1/16W	R1120	1-218-985-11	RES-CHIP	470K	5%	1/16W
R1021	1-218-957-11	RES-CHIP	2.2K	5%	1/16W	R1121	1-218-985-11	RES-CHIP	470K	5%	1/16W
R1022	1-218-965-11	RES-CHIP	10K	5%	1/16W	R1122	1-218-985-11	RES-CHIP	470K	5%	1/16W
R1023	1-218-965-11	RES-CHIP	10K	5%	1/16W	R1123	1-218-985-11	RES-CHIP	470K	5%	1/16W
R1024	1-218-977-11	RES-CHIP	100K	5%	1/16W	R1124	1-218-977-11	RES-CHIP	100K	5%	1/16W
R1025	1-218-953-11	RES-CHIP	1K	5%	1/16W	R1125	1-218-977-11	RES-CHIP	100K	5%	1/16W

Ref. No.	Part No.	Description					Ref. No.	Part No.	Description				
R1126	1-218-985-11	RES-CHIP	470K	5%	1/16W		R1202	1-218-953-11	RES-CHIP	1K	5%	1/16W	
R1128	1-218-961-11	RES-CHIP	4.7K	5%	1/16W		R1203	1-219-570-11	METAL CHIP	10M	5%	1/16W	
R1129	1-218-953-11	RES-CHIP	1K	5%	1/16W		R1205	1-218-953-11	RES-CHIP	1K	5%	1/16W	
R1130	1-218-953-11	RES-CHIP	1K	5%	1/16W		R1206	1-218-955-11	RES-CHIP	1.5K	5%	1/16W	
R1131	1-218-953-11	RES-CHIP	1K	5%	1/16W		R1207	1-218-977-11	RES-CHIP	100K	5%	1/16W	
R1132	1-218-953-11	RES-CHIP	1K	5%	1/16W		R1208	1-218-985-11	RES-CHIP	470K	5%	1/16W	
R1133	1-218-953-11	RES-CHIP	1K	5%	1/16W		R1209	1-218-985-11	RES-CHIP	470K	5%	1/16W	
R1134	1-218-953-11	RES-CHIP	1K	5%	1/16W		R1210	1-218-985-11	RES-CHIP	470K	5%	1/16W	
R1135	1-218-953-11	RES-CHIP	1K	5%	1/16W		R1211	1-218-949-11	RES-CHIP	470	5%	1/16W	
R1136	1-218-953-11	RES-CHIP	1K	5%	1/16W		R1212	1-216-791-11	METAL CHIP	3.3	5%	1/16W	
R1137	1-218-958-11	RES-CHIP	2.7K	5%	1/16W		R1213	1-218-961-11	RES-CHIP	4.7K	5%	1/16W	
R1138	1-218-977-11	RES-CHIP	100K	5%	1/16W		R1214	1-218-985-11	RES-CHIP	470K	5%	1/16W	
R1139	1-218-989-11	RES-CHIP	1M	5%	1/16W		R1215	1-218-959-11	RES-CHIP	3.3K	5%	1/16W	
R1140	1-218-985-11	RES-CHIP	470K	5%	1/16W		R1216	1-218-959-11	RES-CHIP	3.3K	5%	1/16W	
R1141	1-218-985-11	RES-CHIP	470K	5%	1/16W		R1217	1-218-959-11	RES-CHIP	3.3K	5%	1/16W	
R1142	1-218-989-11	RES-CHIP	1M	5%	1/16W		R1218	1-218-979-11	RES-CHIP	150K	5%	1/16W	
R1143	1-218-989-11	RES-CHIP	1M	5%	1/16W		R1220	1-218-985-11	RES-CHIP	470K	5%	1/16W	
R1144	1-218-977-11	RES-CHIP	100K	5%	1/16W		R1222	1-218-953-11	RES-CHIP	1K	5%	1/16W	
R1145	1-218-977-11	RES-CHIP	100K	5%	1/16W		R1223	1-218-953-11	RES-CHIP	1K	5%	1/16W	
R1146	1-218-977-11	RES-CHIP	100K	5%	1/16W		R1224	1-218-953-11	RES-CHIP	1K	5%	1/16W	
R1147	1-218-953-11	RES-CHIP	1K	5%	1/16W		R1225	1-208-935-11	METAL CHIP	100K	0.5%	1/16W	
R1148	1-218-953-11	RES-CHIP	1K	5%	1/16W		R1226	1-208-935-11	METAL CHIP	100K	0.5%	1/16W	
R1149	1-218-953-11	RES-CHIP	1K	5%	1/16W		R1229	1-218-989-11	RES-CHIP	1M	5%	1/16W	
R1150	1-218-953-11	RES-CHIP	1K	5%	1/16W		R1231	1-218-949-11	RES-CHIP	470	5%	1/16W	
R1151	1-218-953-11	RES-CHIP	1K	5%	1/16W		R1301	1-218-961-11	RES-CHIP	4.7K	5%	1/16W	
R1152	1-218-953-11	RES-CHIP	1K	5%	1/16W		R1302	1-218-961-11	RES-CHIP	4.7K	5%	1/16W	
R1153	1-218-977-11	RES-CHIP	100K	5%	1/16W		R1304	1-218-941-81	RES-CHIP	100	5%	1/16W	
R1154	1-218-953-11	RES-CHIP	1K	5%	1/16W		R1305	1-218-981-11	RES-CHIP	220K	5%	1/16W	
R1155	1-218-953-11	RES-CHIP	1K	5%	1/16W		R1306	1-218-965-11	RES-CHIP	10K	5%	1/16W	
R1156	1-218-953-11	RES-CHIP	1K	5%	1/16W		R1308	1-218-965-11	RES-CHIP	10K	5%	1/16W	
R1157	1-218-953-11	RES-CHIP	1K	5%	1/16W		R1312	1-218-935-11	RES-CHIP	33	5%	1/16W	
R1158	1-218-985-11	RES-CHIP	470K	5%	1/16W		R1313	1-218-935-11	RES-CHIP	33	5%	1/16W	
R1159	1-218-985-11	RES-CHIP	470K	5%	1/16W		R1314	1-218-935-11	RES-CHIP	33	5%	1/16W	
R1160	1-218-965-11	RES-CHIP	10K	5%	1/16W		R1315	1-218-935-11	RES-CHIP	33	5%	1/16W	
R1161	1-218-965-11	RES-CHIP	10K	5%	1/16W		R1316	1-218-935-11	RES-CHIP	33	5%	1/16W	
R1162	1-218-965-11	RES-CHIP	10K	5%	1/16W		R1317	1-218-935-11	RES-CHIP	33	5%	1/16W	
R1163	1-218-965-11	RES-CHIP	10K	5%	1/16W		R1318	1-208-715-11	METAL CHIP	22K	0.5%	1/16W	
R1164	1-218-965-11	RES-CHIP	10K	5%	1/16W		R1319	1-218-953-11	RES-CHIP	1K	5%	1/16W	
R1165	1-218-965-11	RES-CHIP	10K	5%	1/16W		R1320	1-218-971-11	RES-CHIP	33K	5%	1/16W	
R1166	1-218-965-11	RES-CHIP	10K	5%	1/16W		R1321	1-218-973-11	RES-CHIP	47K	5%	1/16W	
R1167	1-218-965-11	RES-CHIP	10K	5%	1/16W		R1322	1-218-953-11	RES-CHIP	1K	5%	1/16W	
R1176	1-218-953-11	RES-CHIP	1K	5%	1/16W		R1323	1-218-971-11	RES-CHIP	33K	5%	1/16W	
R1177	1-218-965-11	RES-CHIP	10K	5%	1/16W		R1324	1-218-949-11	RES-CHIP	470	5%	1/16W	
R1178	1-218-953-11	RES-CHIP	1K	5%	1/16W		R1325	1-218-965-11	RES-CHIP	10K	5%	1/16W	
R1179	1-218-973-11	RES-CHIP	47K	5%	1/16W		R1326	1-218-953-11	RES-CHIP	1K	5%	1/16W	
R1180	1-218-989-11	RES-CHIP	1M	5%	1/16W		R1327	1-218-953-11	RES-CHIP	1K	5%	1/16W	
R1181	1-218-953-11	RES-CHIP	1K	5%	1/16W		R1328	1-218-953-11	RES-CHIP	1K	5%	1/16W	
R1188	1-218-985-11	RES-CHIP	470K	5%	1/16W		R1329	1-218-953-11	RES-CHIP	1K	5%	1/16W	
R1189	1-218-985-11	RES-CHIP	470K	5%	1/16W		R1330	1-218-957-11	RES-CHIP	2.2K	5%	1/16W	
R1191	1-218-977-11	RES-CHIP	100K	5%	1/16W		R1401	1-218-977-11	RES-CHIP	100K	5%	1/16W	
R1192	1-218-989-11	RES-CHIP	1M	5%	1/16W		R1402	1-218-985-11	RES-CHIP	470K	5%	1/16W	
R1193	1-218-977-11	RES-CHIP	100K	5%	1/16W		R1403	1-218-985-11	RES-CHIP	470K	5%	1/16W	
R1194	1-218-977-11	RES-CHIP	100K	5%	1/16W		R1404	1-218-973-11	RES-CHIP	47K	5%	1/16W	
R1195	1-218-977-11	RES-CHIP	100K	5%	1/16W		R1405	1-218-958-11	RES-CHIP	2.7K	5%	1/16W	
R1196	1-218-962-11	RES-CHIP	5.6K	5%	1/16W		R1406	1-218-946-11	RES-CHIP	270	5%	1/16W	
R1197	1-218-957-11	RES-CHIP	2.2K	5%	1/16W		R1407	1-218-990-11	SHORT CHIP	0			
R1198	1-218-953-11	RES-CHIP	1K	5%	1/16W		R1408	1-218-985-11	RES-CHIP	470K	5%	1/16W	
R1199	1-218-953-11	RES-CHIP	1K	5%	1/16W		R1409	1-218-944-11	RES-CHIP	180	5%	1/16W	
R1200	1-218-953-11	RES-CHIP	1K	5%	1/16W		R1410	1-218-932-11	RES-CHIP	18	5%	1/16W	
R1201	1-218-953-11	RES-CHIP	1K	5%	1/16W		R1411	1-218-973-11	RES-CHIP	47K	5%	1/16W	

DSR-PD170/PD170P/PD190P

VC-358D

RM-091

XD-003

Ref. No.	Part No.	Description			
R1412	1-218-973-11	RES-CHIP	47K	5%	1/16W
R1413	1-218-990-11	SHORT CHIP	0		
R1414	1-218-977-11	RES-CHIP	100K	5%	1/16W
R1415	1-218-977-11	RES-CHIP	100K	5%	1/16W
R1416	1-218-977-11	RES-CHIP	100K	5%	1/16W
R1417	1-218-977-11	RES-CHIP	100K	5%	1/16W
R1418	1-218-977-11	RES-CHIP	100K	5%	1/16W
R1419	1-218-977-11	RES-CHIP	100K	5%	1/16W
R1420	1-218-977-11	RES-CHIP	100K	5%	1/16W
R1421	1-218-977-11	RES-CHIP	100K	5%	1/16W
R1422	1-218-977-11	RES-CHIP	100K	5%	1/16W
R1423	1-218-977-11	RES-CHIP	100K	5%	1/16W
R1424	1-218-977-11	RES-CHIP	100K	5%	1/16W
R1425	1-218-977-11	RES-CHIP	100K	5%	1/16W
R1426	1-218-977-11	RES-CHIP	100K	5%	1/16W
R1427	1-218-977-11	RES-CHIP	100K	5%	1/16W
R1428	1-218-977-11	RES-CHIP	100K	5%	1/16W
R1429	1-218-977-11	RES-CHIP	100K	5%	1/16W
R1430	1-218-977-11	RES-CHIP	100K	5%	1/16W
R1431	1-218-977-11	RES-CHIP	100K	5%	1/16W
R1432	1-218-977-11	RES-CHIP	100K	5%	1/16W
R1433	1-218-977-11	RES-CHIP	100K	5%	1/16W
R1434	1-218-977-11	RES-CHIP	100K	5%	1/16W
R1435	1-218-977-11	RES-CHIP	100K	5%	1/16W
R1436	1-218-977-11	RES-CHIP	100K	5%	1/16W
R1437	1-218-977-11	RES-CHIP	100K	5%	1/16W
R1438	1-218-977-11	RES-CHIP	100K	5%	1/16W
R1439	1-218-965-11	RES-CHIP	10K	5%	1/16W
R1440	1-218-965-11	RES-CHIP	10K	5%	1/16W
R1441	1-218-977-11	RES-CHIP	100K	5%	1/16W
R1442	1-218-965-11	RES-CHIP	10K	5%	1/16W
R1443	1-218-977-11	RES-CHIP	100K	5%	1/16W
R1444	1-218-973-11	RES-CHIP	47K	5%	1/16W
R1445	1-218-989-11	RES-CHIP	1M	5%	1/16W
R1446	1-218-973-11	RES-CHIP	47K	5%	1/16W
R1447	1-218-953-11	RES-CHIP	1K	5%	1/16W
R1448	1-218-977-11	RES-CHIP	100K	5%	1/16W
R1449	1-218-977-11	RES-CHIP	100K	5%	1/16W
R1450	1-218-977-11	RES-CHIP	100K	5%	1/16W
R1451	1-218-953-11	RES-CHIP	1K	5%	1/16W
R1452	1-218-941-81	RES-CHIP	100	5%	1/16W
R1453	1-218-961-11	RES-CHIP	4.7K	5%	1/16W
R1454	1-218-953-11	RES-CHIP	1K	5%	1/16W
R1455	1-218-938-11	RES-CHIP	56	5%	1/16W
R1457	1-218-941-81	RES-CHIP	100	5%	1/16W
R1801	1-218-985-11	RES-CHIP	470K	5%	1/16W
R1804	1-218-990-11	SHORT CHIP	0		
R1805	1-218-990-11	SHORT CHIP	0		
R1807	1-218-967-11	RES-CHIP	15K	5%	1/16W
R1808	1-218-958-11	RES-CHIP	2.7K	5%	1/16W
R1809	1-218-973-11	RES-CHIP	47K	5%	1/16W
R1810	1-218-975-11	RES-CHIP	68K	5%	1/16W
R1811	1-218-969-11	RES-CHIP	22K	5%	1/16W
R1814	1-218-975-11	RES-CHIP	68K	5%	1/16W
R1815	1-218-989-11	RES-CHIP	1M	5%	1/16W
R1816	1-218-977-11	RES-CHIP	100K	5%	1/16W
R1819	1-218-990-11	SHORT CHIP	0		
R1821	1-218-941-81	RES-CHIP	100	5%	1/16W
R1822	1-218-941-81	RES-CHIP	100	5%	1/16W
R1823	1-218-941-81	RES-CHIP	100	5%	1/16W

Ref. No.	Part No.	Description			
R1830	1-218-990-11	SHORT CHIP	0		
R1831	1-218-990-11	SHORT CHIP	0		
R1832	1-218-990-11	SHORT CHIP	0		
R1833	1-218-990-11	SHORT CHIP	0		
< VIBRATOR >					
X301	1-781-045-21	VIBRATOR, CRYSTAL (24.576MHz)			
X501	1-781-044-21	VIBRATOR, CRYSTAL (20MHz)			
X701	1-767-586-11	VIBRATOR, CRYSTAL (27MHz)			
X801	1-767-980-21	VIBRATOR, CERAMIC (20MHz)			
X1101	1-767-980-21	VIBRATOR, CERAMIC (20MHz)			
X1102	1-767-994-42	VIBRATOR, CRYSTAL (32.768kHz)			
X1301	1-781-763-21	VIBRATOR, CRYSTAL (13.5MHz)			
X1401	1-781-770-21	VIBRATOR, LITHIUM NIOBATE (7.375MHz)			
X1402	1-781-044-21	VIBRATOR, CRYSTAL (20MHz)			
A-7078-955-A RM-091 BOARD, COMPLETE *****					
< CAPACITOR >					
C1109	1-117-919-11	TANTAL. CHIP	10uF	20.00%	6.3V
< DIODE >					
D1105	8-719-951-20	DIODE BR1102W-TR			
D1106	8-719-073-03	DIODE MA8082-(K8).SO			
D1107	8-719-073-01	DIODE MA111-(K8).SO			
D1108	8-719-073-01	DIODE MA111-(K8).SO			
D1109	8-719-073-01	DIODE MA111-(K8).SO			
D1110	8-719-073-01	DIODE MA111-(K8).SO			
< IC >					
IC1102	8-749-013-13	IC RS-70-TU			
< TRANSISTOR >					
Q1104	8-729-037-71	TRANSISTOR UN9210J-(TX).SO			
< RESISTOR >					
R1121	1-218-951-11	RES-CHIP	680	5%	1/16W
R1122	1-218-990-11	SHORT CHIP	0		
R1123	1-218-990-11	SHORT CHIP	0		
R1125	1-218-937-11	RES-CHIP	47	5%	1/16W
R1126	1-218-953-11	RES-CHIP	1K	5%	1/16W
R1127	1-218-953-11	RES-CHIP	1K	5%	1/16W
R1128	1-218-965-11	RES-CHIP	10K	5%	1/16W
R1129	1-218-965-11	RES-CHIP	10K	5%	1/16W
R1130	1-218-977-11	RES-CHIP	100K	5%	1/16W
< SWITCH >					
S1100	1-572-473-11	SWITCH, TACTILE (CUSTOM PRESET)			
A-7078-960-A XD-003 BOARD, COMPLETE *****					
< CAPACITOR >					
C401	1-113-985-11	TANTAL. CHIP	10uF	20%	20V
C402	1-115-467-11	CERAMIC CHIP	0.22uF	10%	10V
C403	1-109-935-11	TANTAL. CHIP	4.7uF	20%	6.3V
C404	1-125-777-11	CERAMIC CHIP	0.1uF	10%	10V
C405	1-125-777-11	CERAMIC CHIP	0.1uF	10%	10V

Ref. No.	Part No.	Description			
C406	1-117-919-11	TANTAL. CHIP	10uF	20%	6.3V
C407	1-125-777-11	CERAMIC CHIP	0.1uF	10%	10V
C408	1-164-874-11	CERAMIC CHIP	100PF	5%	50V
C410	1-104-919-11	TANTAL. CHIP	10uF	20%	25V
C413	1-110-618-11	ELECT	12uF	20%	63V
C414	1-165-319-11	CERAMIC CHIP	0.1uF		50V
C415	1-165-319-11	CERAMIC CHIP	0.1uF		50V
C416	1-110-618-11	ELECT	12uF	20%	63V
C417	1-104-920-11	TANTAL. CHIP	4.7uF	20%	35V
C418	1-104-920-11	TANTAL. CHIP	4.7uF	20%	35V
C419	1-104-920-11	TANTAL. CHIP	4.7uF	20%	35V
C420	1-104-920-11	TANTAL. CHIP	4.7uF	20%	35V
		< CONNECTOR >			
CN401	1-766-343-21	CONNECTOR, FFC/FPC 13P			
		< DIODE >			
D401	8-719-951-20	DIODE BR1102W			
D402	8-719-987-21	DIODE SB02-09CP-TB			
		< IC >			
IC400	8-749-013-13	IC RS-70-TU			
IC401	8-759-521-35	IC TL5001CD			
		< COIL >			
L400	1-412-058-11	INDUCTOR	10uH		
L401	1-416-906-11	INDUCTOR	33uH		
L402	1-414-405-11	INDUCTOR	150uH		
		< TRANSISTOR >			
Q401	8-729-037-71	TRANSISTOR UN9210J-(TX).SO			
Q402	8-729-117-32	TRANSISTOR 2SC4177-L6			
Q403	8-729-117-32	TRANSISTOR 2SC4177-L6			
Q404	8-729-033-65	TRANSISTOR 2SJ204-T1B			
Q405	8-729-117-32	TRANSISTOR 2SC4177-L6			
Q406	8-729-117-32	TRANSISTOR 2SC4177-L6			
Q407	8-729-117-32	TRANSISTOR 2SC4177-L6			
Q408	8-729-041-23	TRANSISTOR NDS356AP			
Q409	8-729-117-32	TRANSISTOR 2SC4177-L6			
Q410	8-729-140-63	TRANSISTOR 2SA1611-M5M6			
Q411	8-729-042-92	TRANSISTOR 2SK1470-TD			
		< RESISTOR >			
R401	1-218-951-11	RES-CHIP	680	5%	1/16W
R402	1-218-970-11	RES-CHIP	27K	5%	1/16W
R403	1-218-970-11	RES-CHIP	27K	5%	1/16W
R404	1-218-957-11	RES-CHIP	2.2K	5%	1/16W
R405	1-218-978-11	RES-CHIP	120K	5%	1/16W
R406	1-218-978-11	RES-CHIP	120K	5%	1/16W
R407	1-218-981-11	RES-CHIP	220K	5%	1/16W
R408	1-218-937-11	RES-CHIP	47	5%	1/16W
R409	1-218-957-11	RES-CHIP	2.2K	5%	1/16W
R410	1-218-957-11	RES-CHIP	2.2K	5%	1/16W
R411	1-218-985-11	RES-CHIP	470K	5%	1/16W
R412	1-218-965-11	RES-CHIP	10K	5%	1/16W
R413	1-218-961-11	RES-CHIP	4.7K	5%	1/16W
R414	1-218-957-11	RES-CHIP	2.2K	5%	1/16W
R415	1-218-977-11	RES-CHIP	100K	5%	1/16W

Ref. No.	Part No.	Description			
R416	1-218-973-11	RES-CHIP	47K	5%	1/16W
R417	1-218-941-81	RES-CHIP	100	5%	1/16W
R418	1-218-990-11	SHORT CHIP	0		
R420	1-208-715-11	METAL CHIP	22K	0.5%	1/16W
R421	1-208-713-11	METAL CHIP	18K	0.5%	1/16W
R422	1-208-701-11	METAL CHIP	5.6K	0.5%	1/16W
R423	1-208-683-11	METAL CHIP	1K	0.5%	1/16W
	A-7078-961-A	XM-005 BOARD, COMPLETE			

		< CAPACITOR >			
C200	1-162-964-11	CERAMIC CHIP	0.001uF	10%	50V
C201	1-162-964-11	CERAMIC CHIP	0.001uF	10%	50V
C202	1-162-964-11	CERAMIC CHIP	0.001uF	10%	50V
C203	1-162-964-11	CERAMIC CHIP	0.001uF	10%	50V
C204	1-162-964-11	CERAMIC CHIP	0.001uF	10%	50V
C205	1-162-964-11	CERAMIC CHIP	0.001uF	10%	50V
C206	1-162-964-11	CERAMIC CHIP	0.001uF	10%	50V
C207	1-162-964-11	CERAMIC CHIP	0.001uF	10%	50V
C208	1-162-964-11	CERAMIC CHIP	0.001uF	10%	50V
C209	1-128-996-11	ELECT CHIP	4.7uF	20%	50V
C210	1-128-996-11	ELECT CHIP	4.7uF	20%	50V
C211	1-128-996-11	ELECT CHIP	4.7uF	20%	50V
C212	1-128-996-11	ELECT CHIP	4.7uF	20%	50V
C213	1-162-964-11	CERAMIC CHIP	0.001uF	10%	50V
C214	1-162-964-11	CERAMIC CHIP	0.001uF	10%	50V
C215	1-125-777-11	CERAMIC CHIP	0.1uF	10%	10V
C216	1-135-337-11	TANTAL. CHIP	1uF	20%	6.3V
C217	1-135-337-11	TANTAL. CHIP	1uF	20%	6.3V
C218	1-125-926-91	TANTAL. CHIP	4.7uF	20%	6.3V
C219	1-164-937-11	CERAMIC CHIP	0.001uF	10%	50V
C220	1-162-964-11	CERAMIC CHIP	0.001uF	10%	50V
C221	1-164-156-11	CERAMIC CHIP	0.1uF		25V
C222	1-117-919-11	TANTAL. CHIP	10uF	20%	6.3V
C223	1-125-777-11	CERAMIC CHIP	0.1uF	10%	10V
C224	1-164-943-11	CERAMIC CHIP	0.01uF	10%	16V
C225	1-164-343-11	CERAMIC CHIP	0.056uF	10%	25V
C226	1-117-919-11	TANTAL. CHIP	10uF	20%	6.3V
C228	1-164-156-11	CERAMIC CHIP	0.1uF		25V
C230	1-117-919-11	TANTAL. CHIP	10uF	20%	6.3V
C231	1-117-919-11	TANTAL. CHIP	10uF	20%	6.3V
C232	1-125-777-11	CERAMIC CHIP	0.1uF	10%	10V
C300	1-162-964-11	CERAMIC CHIP	0.001uF	10%	50V
C301	1-162-964-11	CERAMIC CHIP	0.001uF	10%	50V
C302	1-162-964-11	CERAMIC CHIP	0.001uF	10%	50V
C303	1-162-964-11	CERAMIC CHIP	0.001uF	10%	50V
C304	1-162-964-11	CERAMIC CHIP	0.001uF	10%	50V
C305	1-162-964-11	CERAMIC CHIP	0.001uF	10%	50V
C306	1-162-964-11	CERAMIC CHIP	0.001uF	10%	50V
C307	1-162-964-11	CERAMIC CHIP	0.001uF	10%	50V
C308	1-162-964-11	CERAMIC CHIP	0.001uF	10%	50V
C309	1-128-996-11	ELECT CHIP	4.7uF	20%	50V
C310	1-128-996-11	ELECT CHIP	4.7uF	20%	50V
C311	1-128-996-11	ELECT CHIP	4.7uF	20%	50V
C312	1-128-996-11	ELECT CHIP	4.7uF	20%	50V
C313	1-162-964-11	CERAMIC CHIP	0.001uF	10%	50V

DSR-PD170/PD170P/PD190P

XM-005

Ref. No.	Part No.	Description	Ref. No.	Part No.	Description
C314	1-162-964-11	CERAMIC CHIP 0.001uF 10% 50V			< RESISTOR >
C315	1-125-777-11	CERAMIC CHIP 0.1uF 10% 10V			
C316	1-135-337-11	TANTAL. CHIP 1uF 20% 6.3V	R200	1-216-057-00	RES-CHIP 2.2K 5% 1/10W
C317	1-135-337-11	TANTAL. CHIP 1uF 20% 6.3V	R201	1-216-057-00	RES-CHIP 2.2K 5% 1/10W
C318	1-125-926-91	TANTAL. CHIP 4.7uF 20% 6.3V	R202	1-216-057-00	RES-CHIP 2.2K 5% 1/10W
			R203	1-216-057-00	RES-CHIP 2.2K 5% 1/10W
C319	1-164-937-11	CERAMIC CHIP 0.001uF 10% 50V	R204	1-216-057-00	RES-CHIP 2.2K 5% 1/10W
C320	1-162-964-11	CERAMIC CHIP 0.001uF 10% 50V	R205	1-216-057-00	RES-CHIP 2.2K 5% 1/10W
C321	1-164-156-11	CERAMIC CHIP 0.1uF 25V	R206	1-216-031-00	RES-CHIP 180 5% 1/10W
C322	1-117-919-11	TANTAL. CHIP 10uF 20% 6.3V	R207	1-216-041-00	RES-CHIP 470 5% 1/10W
C323	1-125-777-11	CERAMIC CHIP 0.1uF 10% 10V	R208	1-216-295-91	SHORT CHIP 0
			R209	1-216-035-00	RES-CHIP 270 5% 1/10W
C326	1-117-919-11	TANTAL. CHIP 10uF 20% 6.3V	R210	1-216-035-00	RES-CHIP 270 5% 1/10W
C328	1-164-156-11	CERAMIC CHIP 0.1uF 25V	R211	1-220-222-11	RES-CHIP 4.7K 5% 1/2W
C329	1-164-343-11	CERAMIC CHIP 0.056uF 10% 25V	R212	1-218-977-11	RES-CHIP 100K 5% 1/16W
C330	1-164-943-11	CERAMIC CHIP 0.01uF 10% 16V	R213	1-218-977-11	RES-CHIP 100K 5% 1/16W
C331	1-117-919-11	TANTAL. CHIP 10uF 20% 6.3V	R214	1-208-699-11	METAL CHIP 4.7K 0.5% 1/16W
			R215	1-208-699-11	METAL CHIP 4.7K 0.5% 1/16W
C332	1-125-777-11	CERAMIC CHIP 0.1uF 10% 10V	R216	1-218-978-11	RES-CHIP 120K 5% 1/16W
C334	1-117-919-11	TANTAL. CHIP 10uF 20% 6.3V	R217	1-208-695-11	METAL CHIP 3.3K 0.5% 1/16W
		< CONNECTOR >	R218	1-218-990-11	SHORT CHIP 0
CN200	1-568-006-11	CONNECTOR, XLR TYPE 3P (INPUT1)	R219	1-218-945-11	RES-CHIP 220 5% 1/16W
CN201	1-779-332-11	CONNECTOR, FFC/FPC 16P			
CN300	1-568-006-11	CONNECTOR, XLR TYPE 3P (INPUT2)	R220	1-218-990-11	SHORT CHIP 0
CN301	1-779-332-11	CONNECTOR, FFC/FPC 16P	R221	1-218-887-11	METAL CHIP 47K 0.5% 1/10W
		< DIODE >	R222	1-208-699-11	METAL CHIP 4.7K 0.5% 1/16W
D001	8-719-073-01	DIODE MA111-(K8).SO	R223	1-208-721-11	METAL CHIP 39K 0.5% 1/16W
D002	8-719-073-01	DIODE MA111-(K8).SO	R224	1-208-699-11	METAL CHIP 4.7K 0.5% 1/16W
D003	8-719-073-01	DIODE MA111-(K8).SO			
D004	8-719-073-01	DIODE MA111-(K8).SO	R225	1-208-699-11	METAL CHIP 4.7K 0.5% 1/16W
D200	8-719-073-01	DIODE MA111-(K8).SO	R226	1-208-699-11	METAL CHIP 4.7K 0.5% 1/16W
			R227	1-208-699-11	METAL CHIP 4.7K 0.5% 1/16W
D201	8-719-073-01	DIODE MA111-(K8).SO	R229	1-218-965-11	RES-CHIP 10K 5% 1/16W
D202	8-719-073-01	DIODE MA111-(K8).SO	R230	1-218-973-11	RES-CHIP 47K 5% 1/16W
D203	8-719-073-01	DIODE MA111-(K8).SO			
		< IC >	R231	1-218-973-11	RES-CHIP 47K 5% 1/16W
IC200	8-759-111-56	IC uPC4572G2	R232	1-218-965-11	RES-CHIP 10K 5% 1/16W
IC201	8-759-111-56	IC uPC4572G2	R233	1-218-971-11	RES-CHIP 33K 5% 1/16W
IC202	8-759-259-10	IC M5201AFP-T1	R234	1-218-965-11	RES-CHIP 10K 5% 1/16W
IC203	8-759-075-66	IC TA75S01F	R235	1-216-295-91	SHORT CHIP 0
IC300	8-759-111-56	IC uPC4572G2			
			R236	1-216-295-91	SHORT CHIP 0
IC301	8-759-111-56	IC uPC4572G2	R237	1-218-971-11	RES-CHIP 33K 5% 1/16W
IC302	8-759-259-10	IC M5201AFP-T1	R239	1-218-977-11	RES-CHIP 100K 5% 1/16W
IC303	8-759-075-66	IC TA75S01F	R240	1-218-977-11	RES-CHIP 100K 5% 1/16W
		< COIL >	R241	1-218-973-11	RES-CHIP 47K 5% 1/16W
L200	1-414-398-11	INDUCTOR 10uH			
L201	1-414-398-11	INDUCTOR 10uH	R242	1-218-975-11	RES-CHIP 68K 5% 1/16W
L202	1-414-398-11	INDUCTOR 10uH	R300	1-216-057-00	RES-CHIP 2.2K 5% 1/10W
L203	1-414-854-11	INDUCTOR 1mH	R301	1-216-057-00	RES-CHIP 2.2K 5% 1/10W
L300	1-414-398-11	INDUCTOR 10uH	R302	1-216-057-00	RES-CHIP 2.2K 5% 1/10W
			R303	1-216-057-00	RES-CHIP 2.2K 5% 1/10W
L301	1-414-398-11	INDUCTOR 10uH			
L302	1-414-398-11	INDUCTOR 10uH	R304	1-216-057-00	RES-CHIP 2.2K 5% 1/10W
L303	1-414-854-11	INDUCTOR 1mH	R305	1-216-057-00	RES-CHIP 2.2K 5% 1/10W
		< TRANSISTOR >	R306	1-216-031-00	RES-CHIP 180 5% 1/10W
Q201	8-729-037-74	TRANSISTOR UN9213J-(TX).SO	R307	1-216-041-00	RES-CHIP 470 5% 1/10W
Q303	8-729-037-74	TRANSISTOR UN9213J-(TX).SO	R308	1-216-295-91	SHORT CHIP 0
			R309	1-216-035-00	RES-CHIP 270 5% 1/10W
			R310	1-216-035-00	RES-CHIP 270 5% 1/10W
			R311	1-220-222-11	RES-CHIP 4.7K 5% 1/2W
			R312	1-218-977-11	RES-CHIP 100K 5% 1/16W
			R313	1-218-977-11	RES-CHIP 100K 5% 1/16W

DSR-PD170/PD170P/PI

XM-005 **XS-004** **XZ-003**

Ref. No.	Part No.	Description			
R314	1-208-699-11	METAL CHIP	4.7K	0.5%	1/16W
R315	1-208-699-11	METAL CHIP	4.7K	0.5%	1/16W
R316	1-218-978-11	RES-CHIP	120K	5%	1/16W
R317	1-208-699-11	METAL CHIP	3.3K	0.5%	1/16W
R318	1-218-990-11	SHORT CHIP	0		
R319	1-218-945-11	RES-CHIP	220	5%	1/16W
R320	1-218-990-11	SHORT CHIP	0		
R321	1-218-887-11	METAL CHIP	47K	0.5%	1/10W
R322	1-208-699-11	METAL CHIP	4.7K	0.5%	1/16W
R323	1-208-721-11	METAL CHIP	39K	0.5%	1/16W
R324	1-208-699-11	METAL CHIP	4.7K	0.5%	1/16W
R325	1-208-699-11	METAL CHIP	4.7K	0.5%	1/16W
R326	1-208-699-11	METAL CHIP	4.7K	0.5%	1/16W
R327	1-208-699-11	METAL CHIP	4.7K	0.5%	1/16W
R328	1-218-971-11	RES-CHIP	33K	5%	1/16W
R329	1-218-965-11	RES-CHIP	10K	5%	1/16W
R330	1-218-973-11	RES-CHIP	47K	5%	1/16W
R331	1-218-975-11	RES-CHIP	68K	5%	1/16W
R332	1-218-965-11	RES-CHIP	10K	5%	1/16W
R333	1-216-295-91	SHORT CHIP	0		
R334	1-218-971-11	RES-CHIP	33K	5%	1/16W
R335	1-218-973-11	RES-CHIP	47K	5%	1/16W
R336	1-218-973-11	RES-CHIP	47K	5%	1/16W
R337	1-218-965-11	RES-CHIP	10K	5%	1/16W
R338	1-216-295-91	SHORT CHIP	0		
R339	1-218-977-11	RES-CHIP	100K	5%	1/16W
R340	1-218-977-11	RES-CHIP	100K	5%	1/16W
<hr/>					
A-7078-962-A	XS-004 BOARD, COMPLETE *****				
< CONNECTOR >					
CN100	1-766-343-21	CONNECTOR, FFC/FPC 13P			
CN101	1-779-332-11	CONNECTOR, FFC/FPC 16P			
CN102	1-779-332-11	CONNECTOR, FFC/FPC 16P			
CN103	1-779-334-11	CONNECTOR, FFC/FPC 20P			
< SWITCH >					
S100	1-571-640-11	SWITCH, SLIDE (INPUT1 +48V)			
S102	1-762-824-11	SWITCH, SLIDE (INPUT1 REC CH SELECT)			
S103	1-762-825-11	SWITCH, SLIDE (INPUT1 INPUT LEVEL)			
S104	1-762-825-11	SWITCH, SLIDE (INPUT2 INPUT LEVEL)			
S105	1-571-640-11	SWITCH, SLIDE (INPUT2 +48V)			

Ref. No.	Part No.	Description			
A-7078-963-A	XZ-003 BOARD, COMPLETE *****				
< BATTERY >					
△BT801	1-756-128-11	BATTERY, LITHIUM (SECONDARY)			
△BT802	1-756-128-11	BATTERY, LITHIUM (SECONDARY)			
< CONNECTOR >					
CN801	1-766-337-21	CONNECTOR, FFC/FPC 7P			
< DIODE >					
D801	8-719-064-61	DIODE 01BZA8.2 (TE85L)			
< RESISTOR >					
R801	1-218-965-11	RES-CHIP	10K	5%	1/16W
R803	1-218-965-11	RES-CHIP	10K	5%	1/16W
R804	1-218-965-11	RES-CHIP	10K	5%	1/16W
R805	1-218-941-81	RES-CHIP	100	5%	1/16W
R806	1-218-965-11	RES-CHIP	10K	5%	1/16W
R807	1-218-941-81	RES-CHIP	100	5%	1/16W
R809	1-218-990-11	SHORT CHIP	0		
< SWITCH >					
S801	1-572-342-11	SWITCH, SLIDE (Handle zoom)			
S802	1-786-157-31	TACTILE SWITCH (Handle REC START/STOP)			
S803	1-786-157-31	TACTILE SWITCH (W)			
S804	1-786-157-31	TACTILE SWITCH (T)			

CAUTION :
Danger of explosion if battery is incorrectly replaced.
Replace only with the same or equivalent type.

<p>Note : The components identified by mark △ or dotted line with mark △ are critical for safety. Replace only with part number specified.</p>	<p>Note : Les composants identifiés une marque △ sont critiques pour la sécurité. Ne les remplacer que par pièce portant le numéro spécifié.</p>
---	---

DSR-PD170/PD170P/PD190P

Checking supplied accessories.

Make sure that the following accessories are supplied with your camcorder.



Power cord (Main lead)
(PD170P)

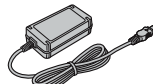
▲ 1-769-608-11

Power cord (Main lead)
(PD190P)

▲ 1-782-476-13

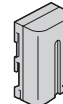
Power cord (Main lead)
(PD170)

▲ 1-790-107-22



AC Adaptor
(AC-L15A/L15B)

▲ 1-477-533-61



NP-F330 rechargeable battery pack
(PD170)

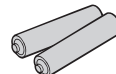
A-7094-140-A

NP-F330 rechargeable battery pack
(PD170P)

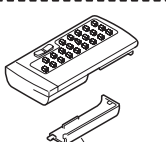
A-7094-141-A

NP-F330 rechargeable battery pack
(PD190P)

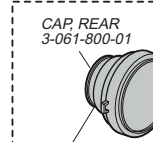
A-7095-596-A



R6 (size AA) batteries
for the Remote
Commander (2)
(not supplied)



Wireless Remote
Commander (RMT-811)
1-475-950-53



CAP REAR
3-061-800-01



POUCH
3-061-801-01

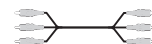


LENS (MAIN), W
3-061-812-01



CAP, FRONT
3-061-799-01

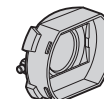
VCL-HG0578 wide conversion lens



AV connecting cable
(1.5 m)
1-823-364-21



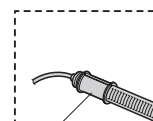
Shoulder strap
3-987-015-01



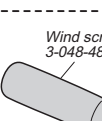
Lens hood (LSF-S58)
(not supplied)



Hood with a lens cap
3-088-528-01



Microphone spacer
*3-179-882-01



Wind screen
3-048-481-01



Hood cap
X-3950-568-1



Holder cable
3-087-943-01

Other accessories

3-062-061-13	MANUAL, INSTRUCTION (ENGLISH/FRENCH/GERMAN/ITALIAN)(PD170/PD170P)
3-062-061-21	MANUAL, INSTRUCTION (CHINESE)(PD190P)
3-087-447-11	MANUAL, INSTRUCTION (ENGLISH)(PD170)
3-087-447-21	MANUAL, INSTRUCTION (FRENCH)(PD170)
3-087-464-11	MANUAL, INSTRUCTION (ENGLISH)(PD170P)

3-087-464-21	MANUAL, INSTRUCTION (FRENCH)(PD170P)
3-087-464-31	MANUAL, INSTRUCTION (GERMAN)(PD170P)
3-087-464-41	MANUAL, INSTRUCTION (ITALIAN)(PD170P)
3-087-464-51	MANUAL, INSTRUCTION (SPANISH)(PD170P)
3-087-464-61	MANUAL, INSTRUCTION (CHINESE)(PD190P)

Note :
The components identified by mark ▲ or dotted line with mark ▲ are critical for safety. Replace only with part number specified.

Note :
Les composants identifiés par une marque ▲ sont critiques pour la sécurité. Ne les remplacer que par une pièce portant le numéro spécifié.

SECTION 6 ADJUSTMENTS

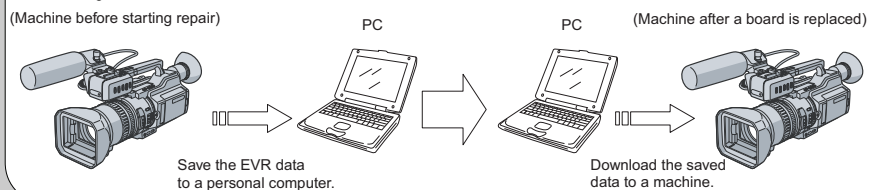
1. Before starting adjustment

EVR Data Re-writing Procedure When Replacing Board

The data that is stored in the repair board, is not necessarily correct.
Perform either procedure 1 or procedure 2 or procedure 3 when replacing board.

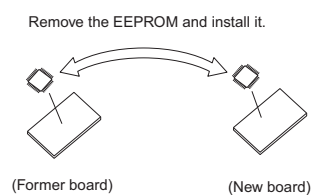
Procedure 1

Save the EVR data of the machine in which a board is going to be replaced. Download the saved data after a board is replaced.



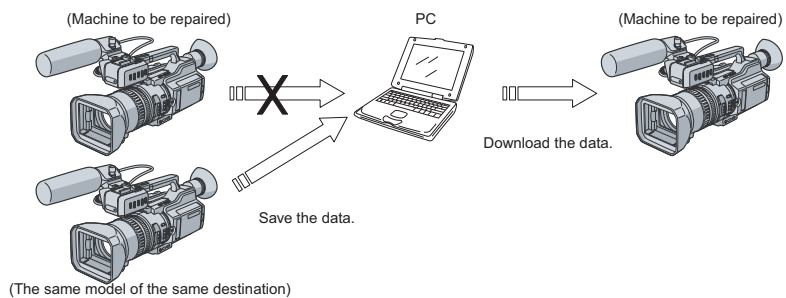
Procedure 2

Remove the EEPROM from the board of the machine that is going to be repaired. Install the removed EEPROM to the replaced board.



Procedure 3

When the data cannot be saved due to defective EEPROM, or when the EEPROM cannot be removed or installed, save the data from the same model of the same destination, and download it.



After the EVR data is saved and downloaded, check the respective items of the EVR data.
(Refer to page 6-3 for the items to be checked.)

DSR-PD170/PD170P/PD190P

1-1. Adjusting items when replacing main parts and boards.

• Adjusting items when replacing main parts

When replacing main parts, adjust the items indicated by ● in the following table.

Adjustment Section	Adjustment	Replaced parts																													
		Block replacement				Parts replacement																									
		Lens device	Prism assy (Including 3 CCD imagers)	VAP unit	Mechanism deck (Note 1)	EVF block LCD902 (LCD panel)	LCD block LCD901 (LCD panel)	LCD block ND901 (Fluorescent tube)	LCD block Inverter unit	Control switch (CF-4980)	Mechanism deck M901 (Drum motor) (Note 1)	Mechanism deck M902 (Capstan motor) (Note 1)	FP-594 board H902 (T reel FG sensor)	SE-147 board SE600, 601 (PITCH/YAW sensor)	PD-217 board IC2101 (RGB driver (LCD))	PD-217 board IC2103 (Timing generator (LCD))	VC-358D board IC1802 (RGB driver (EVF))	VC-358D board IC1803 (Timing generator (EVF))	VC-358D board IC705, X701 (Timing generator)	VC-358D board IC704 (S/H, AGC)	VC-358D board IC706 (A/D converter)	VC-358D board IC802 (Camera micro processor)	VC-358D board IC1301 (LINE IN/OUT amp)	VC-358D board IC301 (DV signal process)	VC-358D board IC101 (EQ, A/D CONV., PLL)	VC-358D board IC102 (REC/PB amp)	VC-358D board IC803 (EYR)				
Initialization of A, B, C, D, E, F, 8 page data	Initialization of C, D, 8 page data																														
	Initialization of A page data																														
	Initialization of B page data																														
	Initialization of E, F page data																														
Camera	27MHz origin oscillation adj.																														
	Zoom key center adj.																														
	HALL adj.	●	●																												
	Offset adj.		●																												
	Flange back adj.	●	●																												
	Pre-white balance data input	●	●																												
	AWB standard data input	●	●																												
	MAX GAIN adj.	●	●																												
	LV standard data input	●	●																												
	White balance ND filter 1 compensation	●	●																												
	White balance ND filter 2 compensation	●	●																												
	Auto white balance adj.	●	●																												
	Color reproduction adj. (ND filter OFF)	●	●																												
	Color reproduction adj. (ND filter 1)	●	●																												
Color reproduction adj. (ND filter 2)	●	●																													
Steady shot adj.		●																													
EVF	VCO adj.																														
	Bright adj.																														
	Contrast adj.																														
LCD	VCO adj.																														
	Bright adj.																														
	Black limit adj.																														
	PSIG GRAY adj.																														
	Contrast adj.																														
	Center level adj.																														
	V COM adj.																														
Mechanism	Tape path adj.																														
	Serial No. input																														
System control	Battery end adj.																														
	CAP FG duty adj.																														
Servo, RF	T reel FG duty adj.																														
	Switching position adj.																														
	AGC center level adj.																														
	APC & AEQ adj.																														
	PLL f ₀ & LPF f ₀ adj.																														
Video	Chroma BPF f ₀ adj.																														
	S VIDEO OUT Y level adj.																														
	S VIDEO OUT Cr, Cb level adj.																														

Table. 6-1-1(1).

• Adjusting items when replacing a board or EEPROM

When replacing a board or EEPROM, adjust the items indicated by ● in the following table.

Adjustment Section	Adjustment	Board replacement							
		CD-512 board (COMPLETE)	FP-594 board (COMPLETE)	VC-358D board (COMPLETE)	SE-147 board (COMPLETE)	PD-217 board (COMPLETE)	VC-358D board IC801 (EEPROM)	VC-358D board IC502 (EEPROM)	VC-358D board IC1406 (EEPROM)
Initialization of A, B, C, D, E, F, 8 page data	Initialization of C, D, 8 page data			●					
	Initialization of A page data			●					
	Initialization of B page data								●
	Initialization of E, F page data			●			●		
Camera	27MHz origin oscillation adj.			●			●		
	Zoom key center adj.			●			●		
	HALL adj.			●			●		●
	Offset adj.	●	●	●			●		
	Flange back adj.	●	●	●			●		●
	Pre-white balance data input	●	●	●			●		●
	AWB standard data input	●	●	●			●		●
	MAX GAIN adj.	●	●	●			●		●
	LV standard data input	●	●	●			●		●
	White balance ND filter 1 compensation	●	●	●			●		●
	White balance ND filter 2 compensation	●	●	●			●		●
	Auto white balance adj.	●	●	●			●		●
	Color reproduction adj. (ND filter OFF)	●	●	●			●		●
	Color reproduction adj. (ND filter 1)	●	●	●			●		●
Color reproduction adj. (ND filter 2)	●	●	●			●		●	
Steady shot adj.			●	●		●			
EVF	VCO adj.			●			●		
	Bright adj.			●			●		
	Contrast adj.			●			●		
LCD	VCO adj.			●			●		
	Bright adj.			●			●		
	Black limit adj.			●			●		
	PSIG GRAY adj.			●			●		
	Contrast adj.			●			●		
	Center level adj.			●			●		
Mechanism	Tape path adj.	●							
	Serial No. input			●			●		
System control	Battery end adj.			●			●		
	CAP FG duty adj.			●			●		●
Servo, RF	T reel FG duty adj.	●					●		●
	Switching position adj.			●			●		
	AGC center level adj.			●			●		●
	APC & AEQ adj.			●			●		●
	PLL f ₀ & LPF f ₀ adj.			●			●		●
Video	Chroma BPF f ₀ adj.			●			●		
	S VIDEO OUT Y level adj.			●			●		
	S VIDEO OUT Cr, Cb level adj.			●			●		

Note1: When replacing the following parts, reinitialize the HRS METER data (page: A, address: 00 to "00". (Refer to "HRS METER (Hours meter) 4. SERVICE MODE")

- Mechanism deck
- Drum assembly
- Capstan motor

And when replacing the following parts, reinitialize the data of page: 2, address: A2 to A4 (Refer to "Record of Use check" of SERVICE MODE")

- Mechanism deck
- Drum assembly

Note2: When replacing the IC1105 by a user's forgotten a password, copy the HRS METER data. (Refer to "HRS METER (Hours meter) 4. SERVICE MODE")

Table. 6-1-1(2).

DSR-PD170/PD170P/PD190P

6-1. CAMERA SECTION ADJUSTMENT

1-1. PREPARATIONS BEFORE ADJUSTMENT (CAMERA SECTION)

1-1-1. List of Service Tools

- Oscilloscope
- Color monitor
- Vectorscope
- Regulated power supply
- Digital voltmeter

Ref. No.	Name	Parts Code	Usage
J-1	Filter for color temperature correction (C14)	J-6080-058-A	Auto white balance adjustment/check White balance adjustment/check
J-2	ND filter 1.0	J-6080-808-A	White balance check
	ND filter 0.3	J-6080-818-A	White balance check (2 sheets used)
J-3	Pattern box PTB-450	J-6082-200-A	
J-4	Color chart for pattern box	J-6020-250-A	
J-5	Adjustment remote commander	J-6082-053-B	
J-6	Siemens star chart	J-6080-875-A	For checking the flange back
J-7	Clear chart for pattern box	J-6080-621-A	
J-8	CPC-13 jig	J-6082-443-A	For adjusting the video section For adjusting the viewfinder
J-9	Extension cable (50P, 0.5mm)	J-6082-496-A	For extension between the CD-512 board (CN100) and the VC-358D board (CN025)
J-10	Mini pattern box	J-6082-353-B	For adjusting the flange back
J-11	Camera table	J-6082-384-A	For adjusting the flange back
J-12	Cleaning fluid	Y-2031-001-0	
J-13	Wiping cloth	7-741-900-53	
J-14	Super fine applicator (made by NIPPON APPLICATOR (P752D))	—	
J-15	Mirror (Small oval type)	J-6080-840-A	
J-16	Screwdriver for tape path	J-6082-026-A	Tape path for adjusting tape guide
J-17	Torque driver	J-9049-330-A	
J-18	TG1 adjustment jig	J-6082-420-A	FWD position adjustment
J-19	Mode selector conversion board (C)	J-6082-417-A	
J-20	Tracking tape (XH2-1A1)(NTSC/PAL)	8-967-999-03	
J-21	Mini DV torque cassette	J-6082-360-A	For FWD torque, REV torque and FWD back tension
J-22	Mode Selector II	J-6082-282-A	For all operating
J-23	Mode Selector II ROM	J-6082-314-D	Corresponds to C mechanism (Note)
J-24	Bending stick	J-6082-419-A	

Note: ROM for version upgrading to allow use of the mode selector II with the C mechanism.

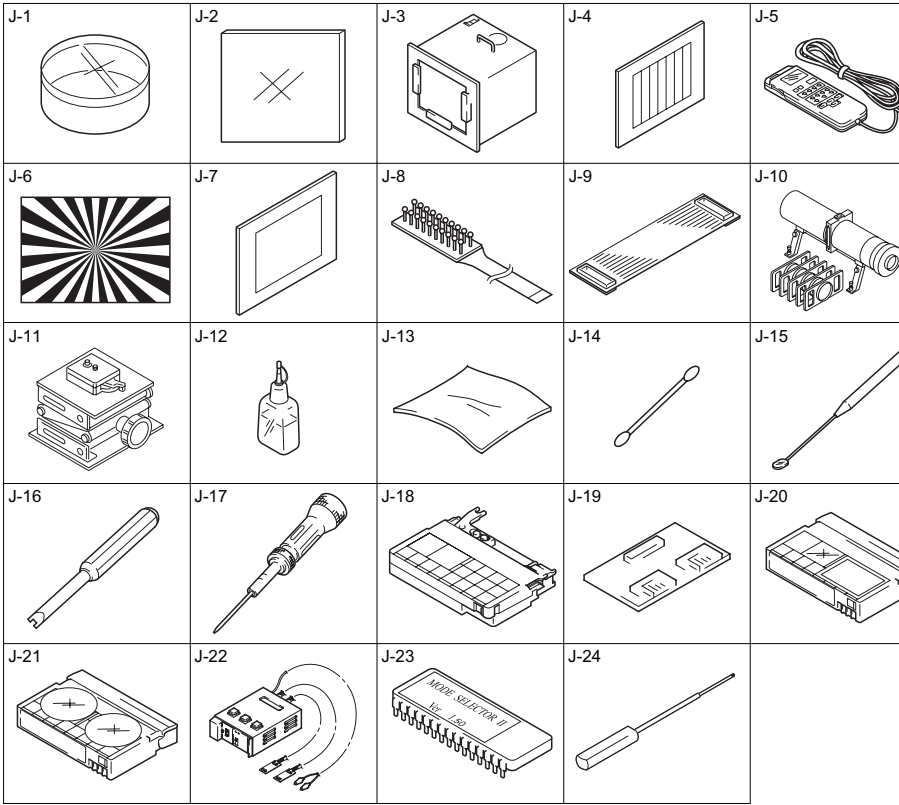


Fig. 6-1-1.