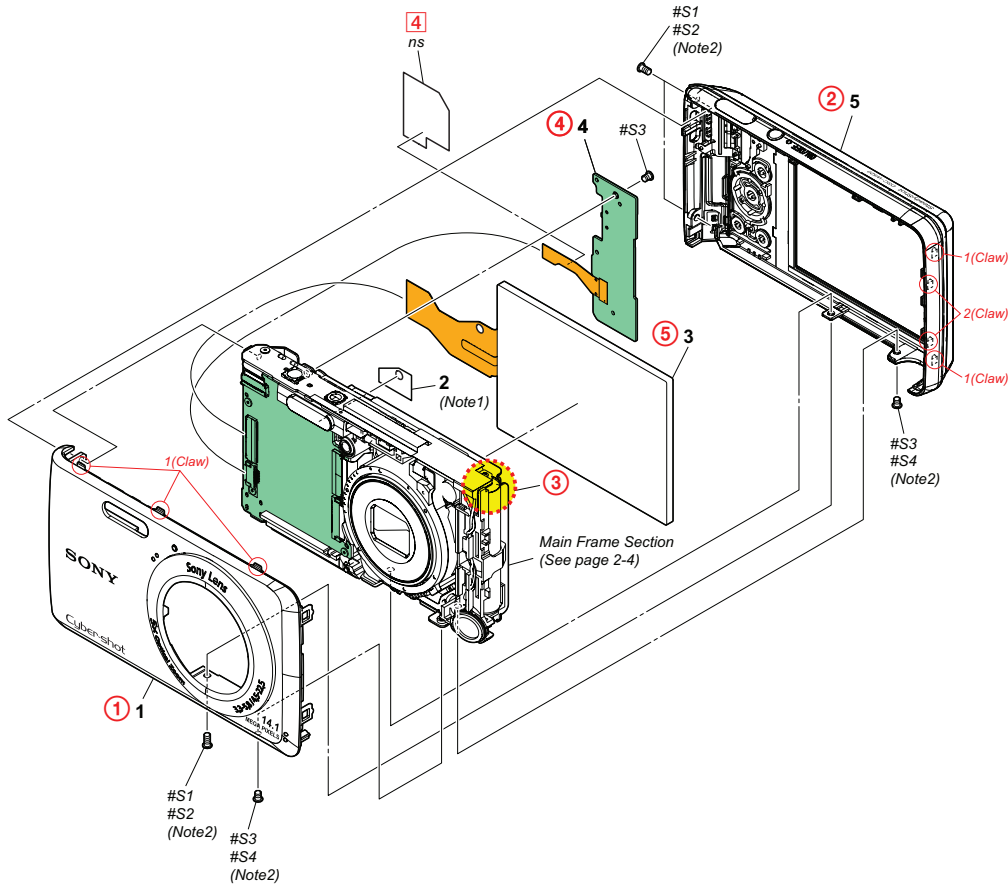


## 2-1-1. OVERALL SECTION



Ref. No.	Part No.	Description
1	X-2581-266-1	COVER ASSY (S), FRONT (SILVER)
1	X-2581-267-1	COVER ASSY (B), FRONT (BLACK)
1	X-2581-268-1	COVER ASSY (R), FRONT (RED)
2	4-281-005-01	RETAINER (Note1)
3	1-811-402-21	LCD MODULE
4	A-1821-723-A	SW BOARD, COMPLETE
5	X-2581-269-1	COVER ASSY (S), REAR (SILVER)

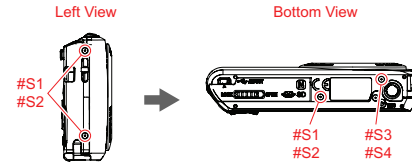
Ref. No.	Part No.	Description
5	X-2581-270-1	COVER ASSY (B), REAR (BLACK)
5	X-2581-271-1	COVER ASSY (R), REAR (RED)
#S1	4-281-030-01	SCREW_M_1.7_3_S (Note2)
#S2	4-281-031-01	SCREW_M_1.7_3_B (Note2)
#S3	4-281-032-01	SCREW_M_1.7_2_S (Note2)
#S4	4-281-603-01	SCREW M1.7_2 (Note2)

DSC-W520

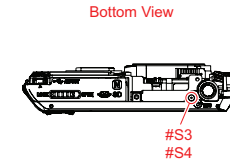
## DISASSEMBLY

1. Remove to numerical order (① to ⑤) in the left figure.

① #S1 / #S2 X 3 → #S3 / #S4 X 1



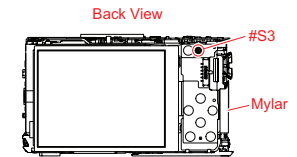
② #S3 / #S4 X 1



③ Temporarily peel off the Sheet (BLACK)


DISCHARGING OF THE CHARGING CAPACITOR

④ #S3 X 1 → Remove the Mylar (④)



## Note

**Note1:** Refer to "Assembly-1: Putting position of the Retainer" when you assemble.

**Note2: THE COMBINATION OF CABINET'S COLOR AND SCREW**  
The screw pointed  is different according to the cabinet's color. For the combination of cabinet's color and screw, please refer to Table 2-1.

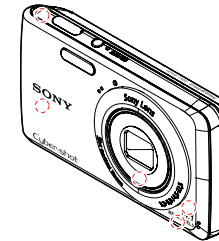
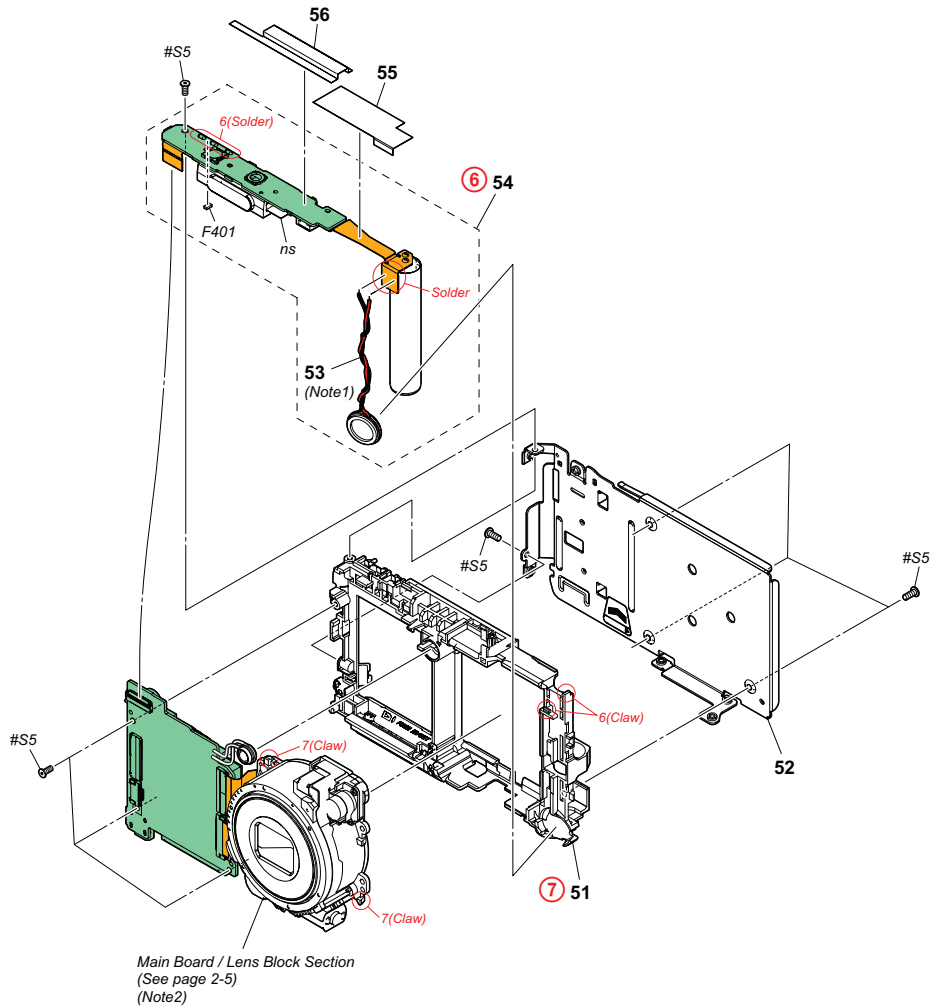


Table 2-1

Screw's Ref. No. (Parts Color.)	Cabinet's Color
#S1, #S3 (Silver)	SILVER
#S2, #S4 (Black)	BLACK, RED

## 2-1-2. MAIN FRAME SECTION

ns: not supplied



Ref. No.	Part No.	Description
51	X-2581-276-1	FRAME ASSY (S), MAIN (SILVER)
51	X-2581-277-1	FRAME ASSY (B), MAIN (BLACK)
51	X-2581-278-1	FRAME ASSY (R), MAIN (RED)
52	4-281-028-01	BRACKET, LCD
53	1-858-625-11	SPEAKER (1.3CM) (Note1)
54	A-1821-754-A	STROBOSCOPE BLOCK ASSY

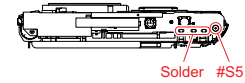
Ref. No.	Part No.	Description
55	4-281-023-01	SHEET (BLACK)
56	4-281-022-01	SHEET (TRANSPARENT)
△ F401	1-576-363-21	FUSE, MICRO (1005 TYPE) (1A/30V)
#S5	3-288-943-01	SCREW_TP_1.4_3_A_0.2_D=2.5

## DISASSEMBLY

1. Remove to numerical order (6 to 7) in the left figure.

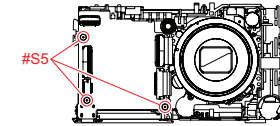
6 #S5 X 1 → Unsolder

Top View



7 #S5 X 3

Front View



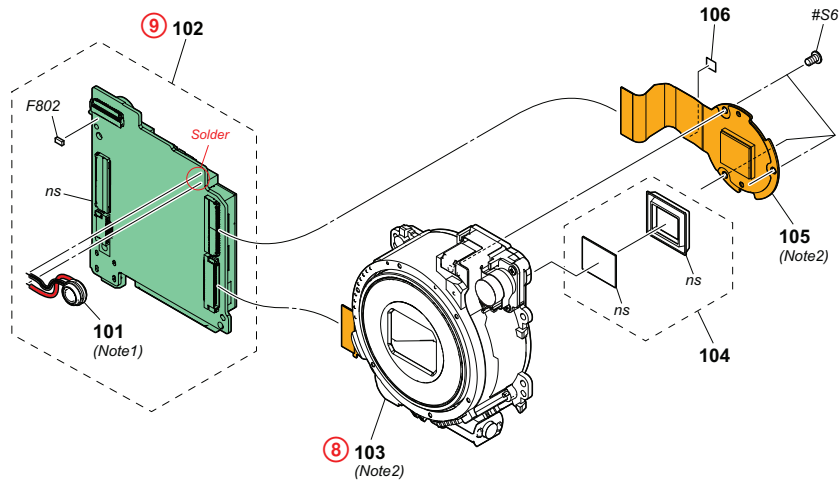
## Note

**Note1:** Refer to "Assembly-2: Routing Method of the Speaker Lead Wire" when you assemble.

**Note2:** Be sure to connect the flexible board of the Lens Block to the Main Board before assembling the Main Board and Lens Block to the Main Frame Assy.

## 2-1-3. MAIN BOARD / LENS BLOCK SECTION

ns: not supplied



Ref. No.	Part No.	Description
101	1-542-878-11	MICROPHONE (Note1)
102	A-1821-757-A	MAIN BOARD, COMPLETE
103	A-1821-755-A	LENS BLOCK ASSY (Note2)
104	4-282-142-01	FILTER SET, LOW PASS
105	A-1821-756-A	CCD BLOCK ASSY (Note2)

Ref. No.	Part No.	Description
106	4-283-485-01	GASKET, CCD
△ F802	1-576-913-31	FUSE, MICRO (1608 TYPE) (1.6A/36V)
#S6	4-277-820-01	SCREW TP 1.4*3 BK

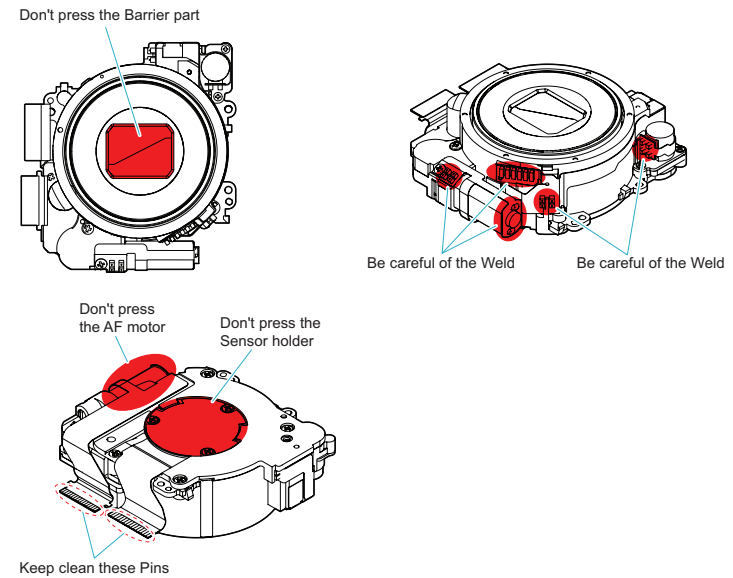
## DISASSEMBLY

1. Remove to numerical order (8) to (9) in the left figure.

## Note

**Note1:** Refer to "Assembly-3: Assembling Method of the Microphone" when you assemble.

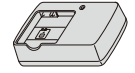
**Note2:** Be careful about the Lens Block Assy and CCD Block Assy.



Checking supplied accessories.

**Note1:** This item is supplied with the unit as an accessory, but is not prepared as a service part.

**Note2:** Dedicated A/V cable (optional accessory)  
Dedicated A/V cable is not supplied with this model.  
If you need dedicated A/V cable, order 1-834-312-4□ or VMC-15CSR1.



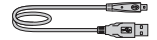
Battery Charger  
(BC-CSN/BC-CSNB)  
△ 1-487-523-31 (CH)  
△ 1-487-523-61 (EXCEPT CH)



Rechargeable Battery Pack  
(NP-BN1)  
(Note1)



Power cord (mains lead)  
(EXCEPT CH)  
△ 1-834-529-31 (AR)  
△ 1-834-531-31 (AUS)  
△ 1-837-421-11 (UK)  
△ 1-837-427-11 (AEP, E)  
△ 1-837-428-11 (KR)



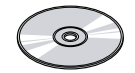
Dedicated USB cable  
1-834-311-51



Conversion (2P) Adaptor  
△ 1-569-008-21  
(E (Latin America))



Wrist strap  
2-050-981-01



CD-ROM  
- Cyber-shot application software  
- "Cyber-shot User Guide"  
4-273-949-01



About Cyber-shot User Guide (HTML)  
• The CD-ROM supplied contains all of language version.  
• The printed matter is not supplied.  
• The following lists part numbers of languages.  
• This CD-ROM is provided in HTML.  
Therefore, it is suitable for browsing on the PC, but is not suitable for printing.

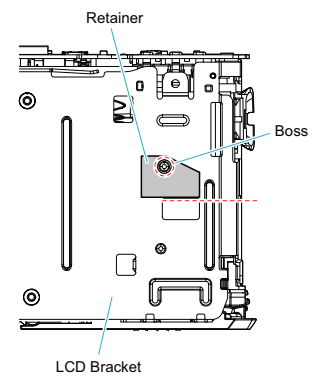
- Cyber-shot User Guide (HTML)
- |                                      |                            |                                       |
|--------------------------------------|----------------------------|---------------------------------------|
| * 4-273-950-11 (ENGLISH)             | * 4-273-951-21 (ARABIC)    | * 4-273-952-31 (DANISH)               |
| * 4-273-950-21 (FRENCH)              | * 4-273-951-31 (PERSIAN)   | * 4-273-952-41 (THAI)                 |
| * 4-273-950-31 (ITALIAN)             | * 4-273-951-41 (KOREAN)    | * 4-273-952-51 (MALAY)                |
| * 4-273-950-41 (SPANISH)             | * 4-273-951-51 (POLISH)    | * 4-273-952-61 (TURKISH)              |
| * 4-273-950-51 (PORTUGUESE)          | * 4-273-951-61 (CZECH)     | * 4-273-952-71 (GREEK)                |
| * 4-273-950-61 (GERMAN)              | * 4-273-951-71 (HUNGARIAN) | * 4-273-952-81 (UKRAINIAN)            |
| * 4-273-950-71 (DUTCH)               | * 4-273-951-81 (SLOVAK)    | * 4-273-952-91 (CROATIAN)             |
| * 4-273-950-81 (TRADITIONAL CHINESE) | * 4-273-951-91 (SWEDISH)   | * 4-273-953-11 (ROMANIAN)             |
| * 4-273-950-91 (SIMPLIFIED CHINESE)  | * 4-273-952-11 (FINNISH)   | * 4-273-953-21 (INDONESIAN)           |
| * 4-273-951-11 (RUSSIAN)             | * 4-273-952-21 (NORWEGIAN) | * 4-273-953-31 (BRAZILIAN PORTUGUESE) |



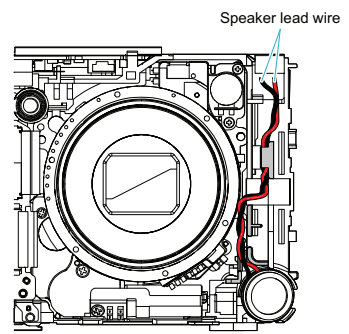
- Instruction Manual  
• (Only for destination Japanese model)  
英語・韓国語・中国語のみ部品供給可能です。  
4-273-954-11 (SIMPLIFIED CHINESE)  
4-273-955-11 (ENGLISH)  
\* 4-273-955-41 (ENGLISH, RUSSIAN, UKRAINIAN)  
\* 4-273-955-51 (ENGLISH, FRENCH, ITALIAN, SPANISH, PORTUGUESE, GERMAN, DUTCH, TURKISH, GREEK, POLISH, CZECH, HUNGARIAN, SLOVAK, SWEDISH, FINNISH, NORWEGIAN, DANISH, CROATIAN, ROMANIAN)  
\* 4-273-955-61 (ENGLISH, TRADITIONAL CHINESE, SIMPLIFIED CHINESE, MALAY, INDONESIAN, THAI, ARABIC, PERSIAN)  
\* 4-273-955-71 (ENGLISH, SPANISH, PORTUGUESE)  
\* 4-273-955-81 (ENGLISH, TRADITIONAL CHINESE, SIMPLIFIED CHINESE, INDONESIAN, ARABIC, PERSIAN)  
4-273-956-21 (KOREAN)  
\* 4-273-956-31 (SPANISH, PORTUGUESE)

3-1. ASSEMBLY

Assembly-1: Putting position of the Retainer

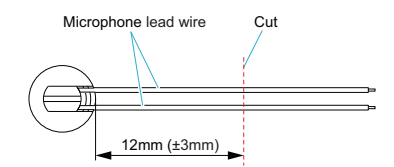


Assembly-2: Routing Method of the Speaker Lead Wire

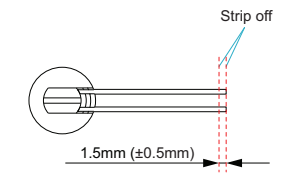


Assembly-3: Assembling Method of the Microphone

3-1. Cut the Microphone lead wire as shown below.



3-2. Strip off the coating of the Microphone lead wire as shown below.



3-3. Perform the preliminary solder dipping on the core of the Microphone lead wire as shown below.

