

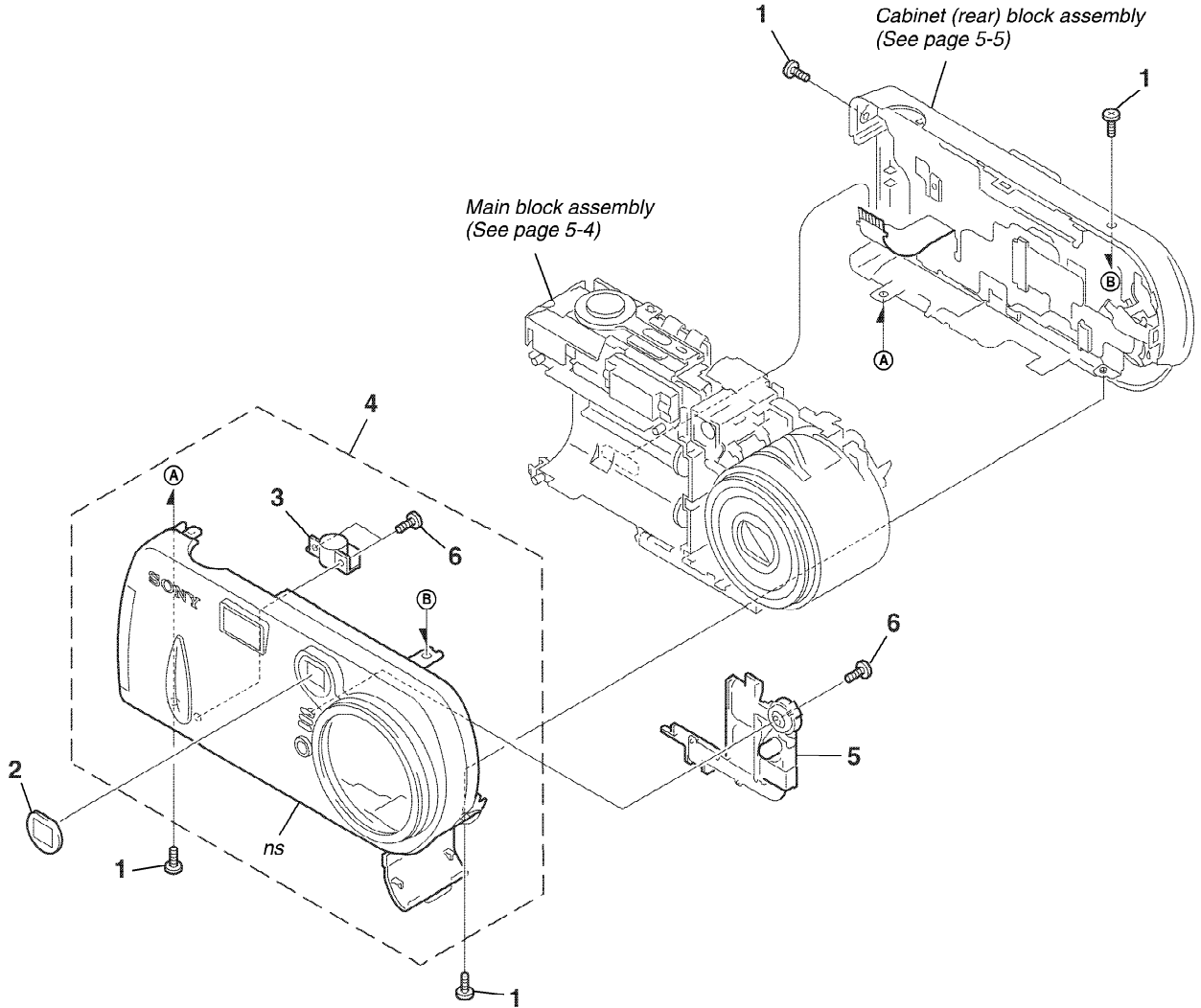


5. REPAIR PARTS LIST

5-1. EXPLODED VIEWS

5-1-1. CABINET (FRONT) SECTION

ns : not supplied



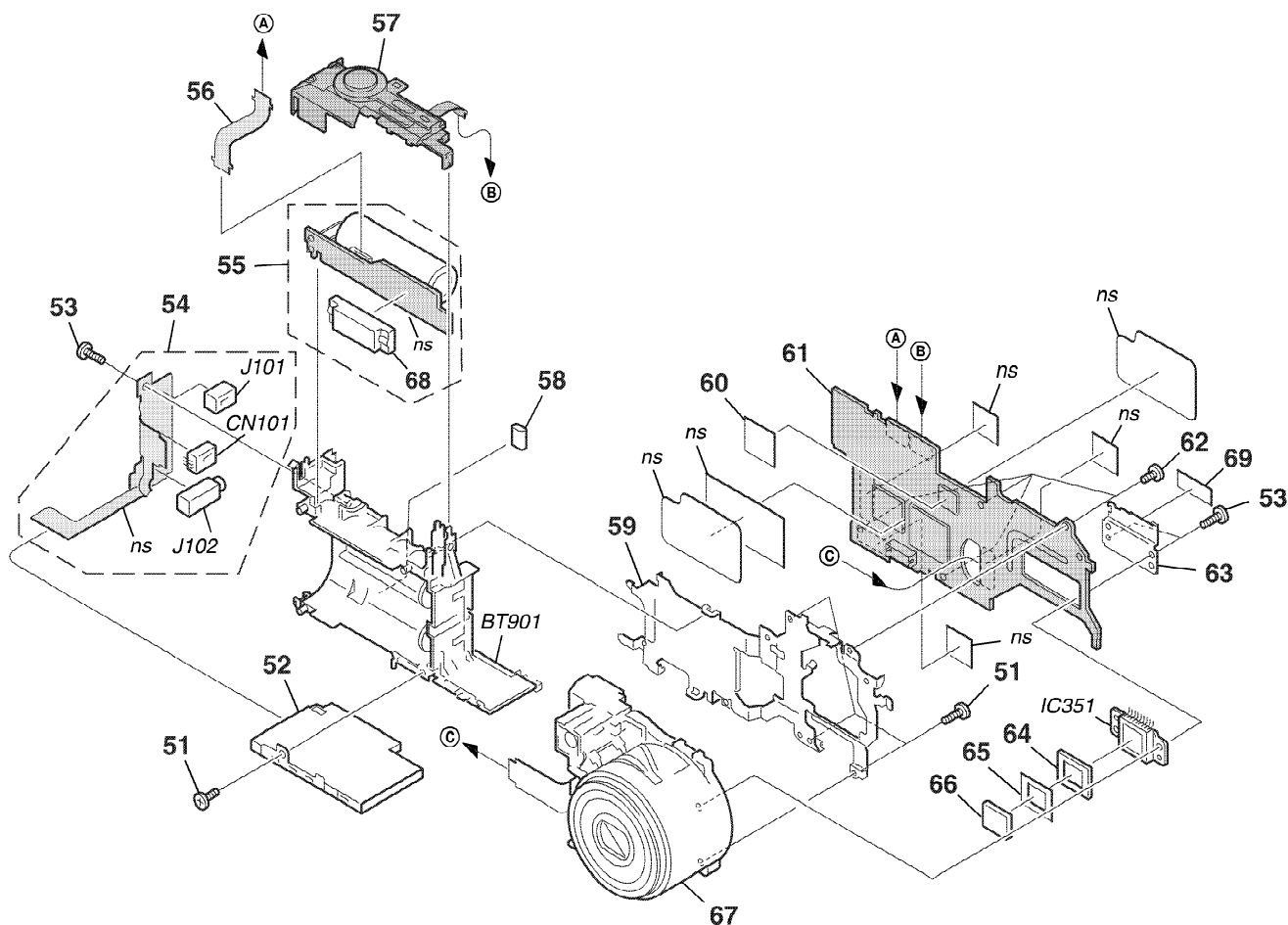
Ref. No.	Part No.	Description	Remarks	Ref. No.	Part No.	Description	Remarks
1	3-968-729-71	SCREW (M2), LOCK ACE, P2		4	X-3953-388-1	CABINET (FRONT) ASSY	
2	3-082-168-01	WINDOW, OVF		5	1-477-810-11	UNIT PARTS (UA-002)	
3	3-080-977-01	TRIPOD		6	3-080-204-21	SCREW, TAPPING, P2	



5. REPAIR PARTS LIST

5-1-2. MAIN BLOCK SECTION

ns : not supplied



Be sure to read "Precautions upon replacing CCD imager" on page 4-8 when changing the CCD imager.

Ref. No.	Part No.	Description	Remarks	Ref. No.	Part No.	Description	Remarks
51	3-078-890-11	SCREW, TAPPING		63	3-082-138-01	PLATE COOLING CCD	
52	1-815-853-21	MEMORY STICK CONNECTOR		64	3-054-555-01	RUBBER (K), SEAL	
53	3-080-204-21	SCREW, TAPPING, P2		65	3-070-143-01	PLATE, LIGHT INTERCEPTION	
54	1-477-859-11	JK BLOCK (JK-252)		66	1-758-915-11	FILTER BLOCK, OPTICAL	
55	A-7078-675-A	ST-82 (SL) BOARD, COMPLETE		67	1-758-770-21	LENS, VIDEO (CE01B)	
56	1-687-751-11	FP-643 FLEXIBLE BOARD		△68	1-477-895-11	FLASH UNIT	
57	1-477-806-21	CONTROL SWITCH BLOCK (RL-059)		69	3-082-135-01	SHEET COOLING CCD	
58	3-083-057-01	CUSHION (ISB), ELECTROSTATIC		BT901	1-756-347-11	HOLDER, BATTERY(WITH TERMINAL)	
59	3-081-034-01	FRAME, LENS		CN101	1-794-962-11	CONNECTOR, SQUARE TYPE(USB 5P)	
60	3-082-136-01	SHEET, SHIELD		IC351	A-7016-513-A	CCD BLOCK ASSY (CCD IMAGER)	
61	A-7078-687-A	SY-93 BOARD, COMPLETE (SERVICE)		J101	1-817-331-11	DC JACK 5P (DC IN)	
62	3-078-889-11	SCREW (M1.7)		J102	1-569-950-31	JACK (SMALL TYPE) (A/V OUT (MONO))	

Note :

The components identified by mark △ or dotted line with mark △ are critical for safety. Replace only with part number specified.

Note :

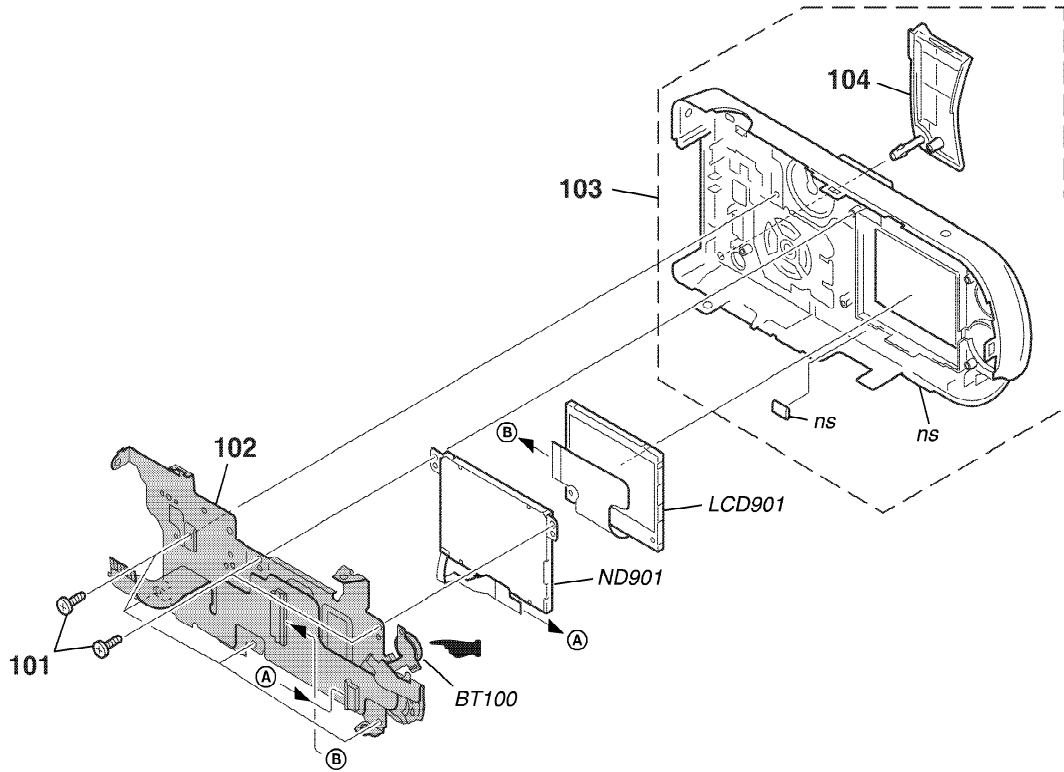
Les composants identifiés par une marque △ sont critiques pour la sécurité. Ne les remplacer que par une pièce portant le numéro spécifié.



5. REPAIR PARTS LIST

5-1-3. CABINET (REAR) BLOCK SECTION

ns : not supplied



: For the installation position of BT100 (Lithium battery), refer to page 2-3

CAUTION :
 Danger of explosion if battery is incorrectly replaced.
 Replace only with the same or equivalent type.

Ref. No.	Part No.	Description	Remarks	Ref. No.	Part No.	Description	Remarks
101	3-078-890-11	SCREW, TAPPING		104	3-080-985-01	COVER, JACK	
102	1-477-809-21	SWITCH BLOCK, CONTROL (SW-391)		LCD901	8-753-052-23	ACX309AKB-2	
103	X-3953-38901	CABINET (REAR) ASSY		△ND901	1-477-762-21	BLOCK LIGHT GUIDE PLATE (1.5)	

Note :
 The components identified by mark △ or dotted line with mark △ are critical for safety.
 Replace only with part number specified.

Note :
 Les composants identifiés par une marque △ sont critiques pour la sécurité.
 Ne les remplacer que par une pièce portant le numéro spécifié.

SY-93

ST-82

5-2. ELECTRICAL PARTS LIST

Ref. No.	Part No.	Description
	A-7078-687-A	SY-93 BOARD, COMPLETE (SERVICE) *****

**Electrical parts list of the SY-93 board are not shown.
Pages from 5-6 to 5-11 are not shown.**



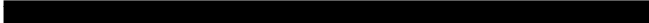
A-7078-675-A	ST-82 (SL) BOARD, COMPLETE *****
--------------	-------------------------------------

△	1-477-895-11	FLASH UNIT			
		< CAPACITOR >			
C503	1-137-710-11	CERAMIC CHIP	10uF	20%	6.3V
C504	1-137-710-11	CERAMIC CHIP	10uF	20%	6.3V
C505	1-127-715-91	CERAMIC CHIP	0.22uF	10%	16V
C506	1-125-837-91	CERAMIC CHIP	1uF	10%	6.3V
C507	1-125-777-11	CERAMIC CHIP	0.1uF	10%	10V
C508	1-100-542-11	ELECT	135uF	99%	315V
△ C509	1-137-723-21	CERAMIC CHIP	0.047uF	10%	250V
C510	1-137-710-11	CERAMIC CHIP	10uF	20%	6.3V
C511	1-137-710-11	CERAMIC CHIP	10uF	20%	6.3V
C512	1-125-777-11	CERAMIC CHIP	0.1uF	10%	10V
		< CONNECTOR >			
CN501	1-816-644-11	FFC/FPC CONNECTOR (LIF) 12P			
		< DIODE >			
D501	8-719-073-01	DIODE MA111-(K8).S0			
△ D502	6-500-237-01	DIODE HAU160C030TP			
D503	8-719-075-15	DIODE MAZT082H08S0			
		< IC >			
IC501	6-703-635-01	IC TND721MH5-S-TL-E			
		< COIL >			
△ L501	1-456-193-11	COIL, TRIGGER			
		< TRANSISTOR >			
Q501	6-550-119-01	TRANSISTOR DTC144EMT2L			
Q502	6-550-528-01	TRANSISTOR UPA650TT-E1-A			
Q503	6-550-183-01	TRANSISTOR CPH3209-SONY-TL-E			
Q504	8-729-056-01	TRANSISTOR MCH3405-TL-E			
Q505	8-729-053-57	TRANSISTOR RN1902FE(TPLR3)			
△ Q506	8-729-053-74	TRANSISTOR CY25AAJ-8-T13			
		< RESISTOR >			
R501	1-218-961-11	RES-CHIP	4.7K	5%	1/16W
R502	1-218-977-11	RES-CHIP	100K	5%	1/16W
R503	1-218-965-11	RES-CHIP	10K	5%	1/16W
R504	1-218-957-11	RES-CHIP	2.2K	5%	1/16W
R505	1-218-977-11	RES-CHIP	100K	5%	1/16W

Ref. No.	Part No.	Description			
R506	1-218-958-11	RES-CHIP	2.7K	5%	1/16W
R507	1-218-965-11	RES-CHIP	10K	5%	1/16W
R508	1-218-940-11	RES-CHIP	82	5%	1/16W
R509	1-218-961-11	RES-CHIP	4.7K	5%	1/16W
R510	1-216-805-11	METAL CHIP	47	5%	1/16W
R511	1-216-857-11	METAL CHIP	1M	5%	1/16W
△ R512	1-216-121-11	RES-CHIP	1M	5%	1/10W

< TRANSFORMER >

△ T501	1-437-737-11	TRANSFORMER, DC-DC CONVERTER
--------	--------------	------------------------------



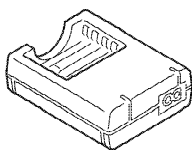
<p>Note : The components identified by mark △ or dotted line with mark △ are critical for safety. Replace only with part number specified.</p>	<p>Note : Les composants identifiés par une marque △ sont critiques pour la sécurité. Ne les remplacer que par une pièce portant le numéro spécifié.</p>
---	---

Checking supplied accessories.

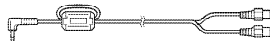
Make sure that the following accessories are supplied with your camcorder.



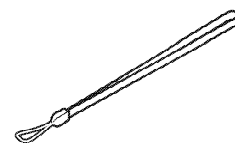
Power cord (1)(AUS model)
 ▲ 1-696-819-21
 Power cord (1)(AEP,E model)
 ▲ 1-769-608-11
 Power cord (1)(CH model)
 ▲ 1-782-476-13
 Power cord (1)(KR model)
 ▲ 1-776-985-11
 Power cord (1)(UK,HK model)
 ▲ 1-783-374-11
 Power cord (1)(US,CND model)
 ▲ 1-790-107-22
 Power cord (1)(JE,J model)
 ▲ 1-790-732-12



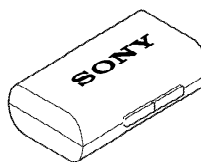
Battery charger (BC-CS2)(1)
 (US,CND,JE,J model)
 ▲ 1-477-814-11
 Battery charger (BC-CS2)(1)
 (AEP,UK,E,HK,AUS,BR model)
 ▲ 1-477-814-21
 Battery charger (BC-CS2)(1)
 (CH, KR model)
 ▲ 1-477-814-32



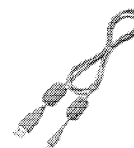
Connection cord
 (AV Cable 1.5m)(1)
 1-824-111-11



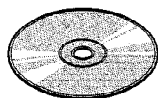
Hand strap (1)
 3-070-841-01



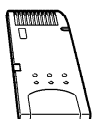
Battery carrying case (1)
 3-074-757-01



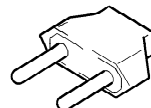
Cord with connector (1)
 (USB 5P)
 1-827-038-11



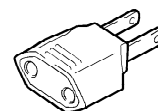
CD-ROM (USB DRIVER) (1)
 (SPVD-010)
 (AEP,UK,E,HK,AUS,
 CH,JE,KR,BR model)
 3-078-942-03
 CD-ROM (USB DRIVER) (1)
 (SPVD-010 (I)) (US,CND,J model)
 3-078-943-03



Memory stick (1)
 (MSA-16A)
 (not supplied)



2P conversion adaptor (1)
 (JE model)
 1-569-007-12



2P conversion adaptor (1)
 (E model)
 1-569-008-12

Other accessories

- 3-082-198-01 MANUAL, INSTRUCTION (JAPANESE)(J)
- 3-082-718-01 MANUAL, INSTRUCTION (JAPANESE)(J)
- 3-082-719-01 MANUAL, INSTRUCTION (SET)(JAPANESE)(J)
- 3-082-719-11 MANUAL, INSTRUCTION (ENGLISH)
 (US,CND,AEP,UK,E,HK,AUS,CH,JE)
- 3-082-719-21 MANUAL, INSTRUCTION (FRENCH/GERMAN)(CND,AEP)
- 3-082-719-31 MANUAL, INSTRUCTION (SPANISH/PORTUGUESE)
 (AEP,E,JE)
- 3-082-719-41 MANUAL, INSTRUCTION (ITALIAN/DUTCH)(AEP)
- 3-082-719-51 MANUAL, INSTRUCTION (CHINESE)(E,HK,CH,JE)
- 3-082-719-61 MANUAL, INSTRUCTION (RUSSIAN/SWEDISH)(AEP)
- 3-082-719-71 MANUAL, INSTRUCTION (ARABIC)(E)
- 3-082-719-81 MANUAL, INSTRUCTION (KOREAN)(KR)

• Abbreviation

- CND : Canadian model
- JE : Tourist model
- HK : Hong Kong model
- KR : Korea model
- AUS : Australian model
- BR : Brazilian model
- CH : Chinese model
- J : Japanese model

Note :

The components identified by mark ▲ or dotted line with mark ▲ are critical for safety. Replace only with part number specified.

Note :

Les composants identifiés par une marque ▲ sont critiques pour la sécurité. Ne les remplacer que par une pièce portant le numéro spécifié.

