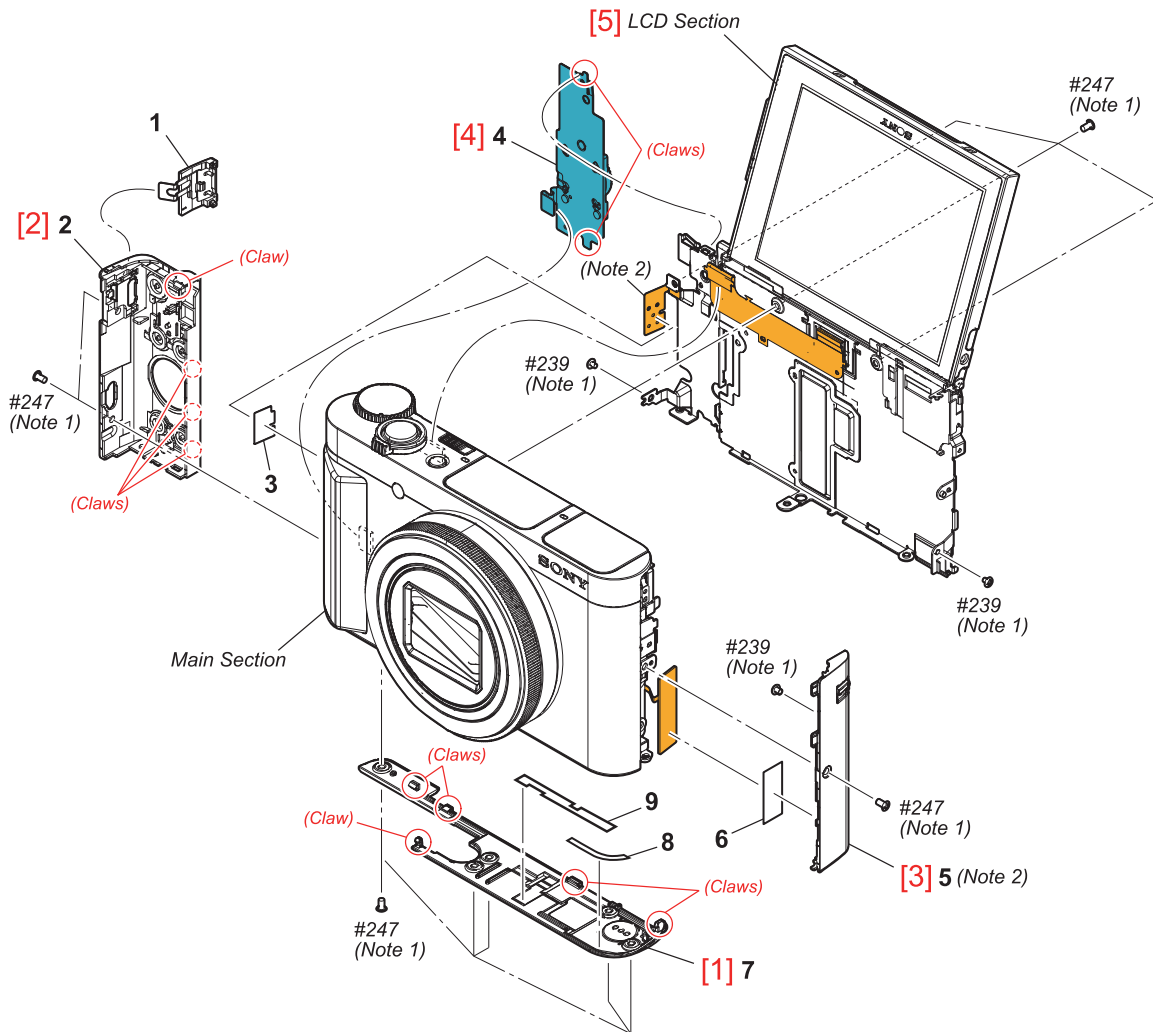


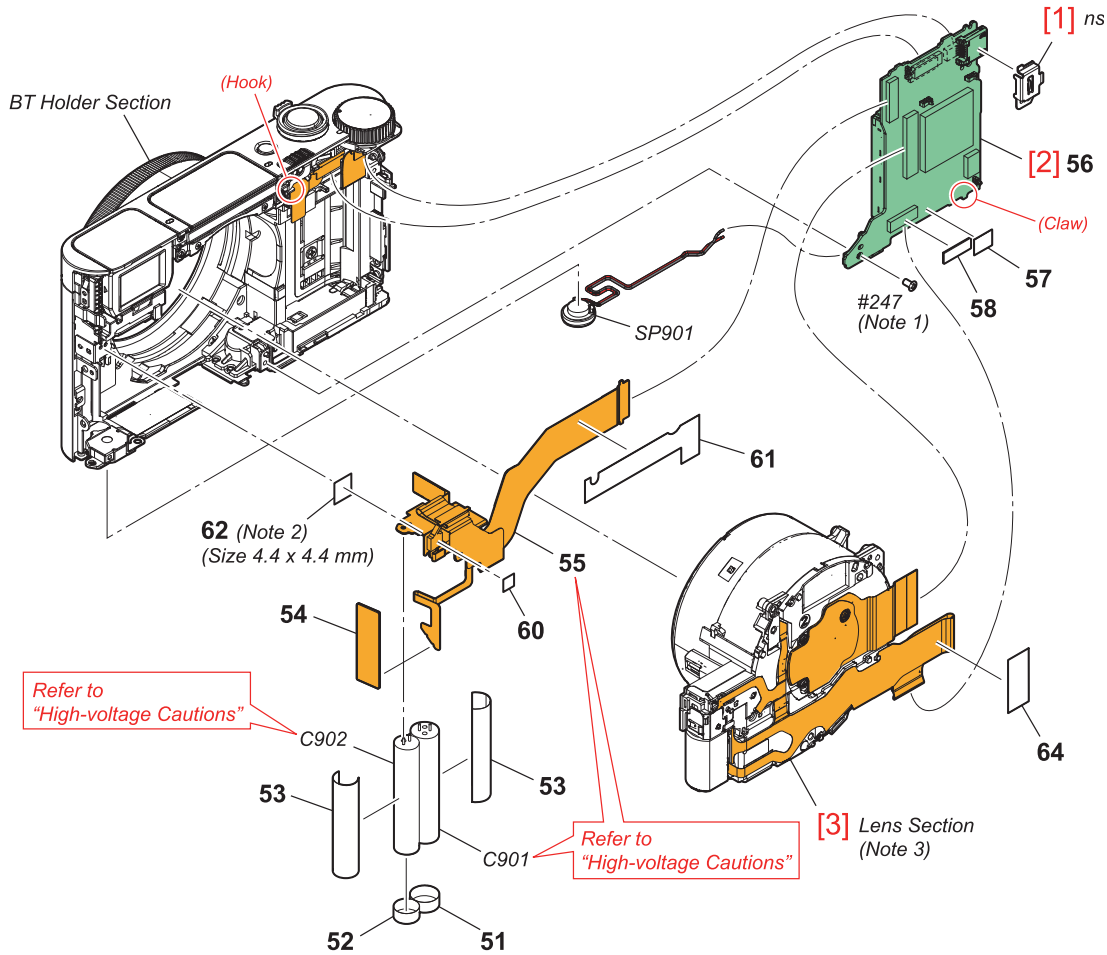
5-2. Exploded View

Overall Section



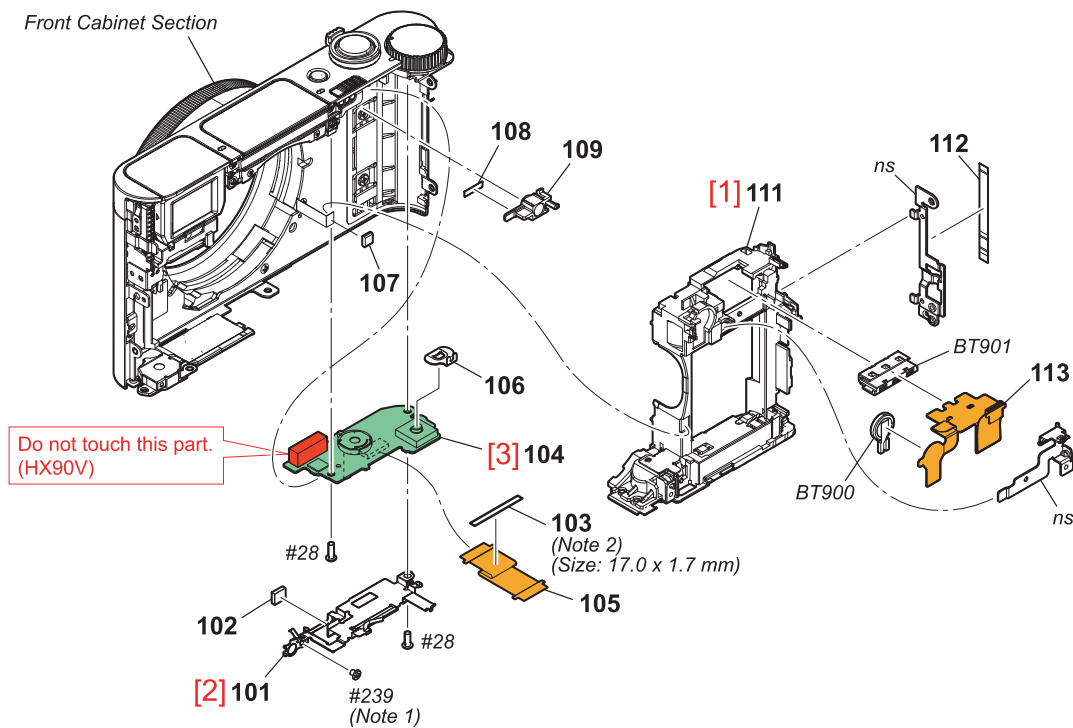
Ref. No. or Q'ty	Part No.	SP Description
1	A-2078-583-A	LID, MULTI (63680) BK (SERVICE)
2	A-2078-579-A	CABINET REAR (63680) BK SERVICE
3	4-534-395-01	SHEET (WIFI), ADHESIVE
4	1-493-023-11	CONTROL SWITCH BLOCK (SW63680)
5	A-2075-232-A	CABINET SIDE BLOCK ASSY (HX90V)
5	A-2075-233-A	CABINET SIDE BLOCK ASSY (HX90)
6	4-489-010-01	SHEET (ANT), ADHESIVE
7	4-570-287-01	BOTTOM (63680), CABINET
8	4-573-657-01	BOTTOM (63680), SHEET CABINET
9	4-576-900-01	BOTTOM (B) (63680), SHEET CABINET
#239	4-287-435-11	SCREW (M1.4 EUROPE) TYPE
#247	4-412-769-11	SCREW (M1.4), NEW TRU-STAR, P2

Main Section



Ref. No. or Q'ty	Part No.	SP Description
51	4-570-300-01	SHEET (LOWER) A (63680)
52	4-570-301-01	SHEET (LOWER) B (63680)
53	4-570-302-01	SHEET (UPPER) (63680)
54	A-2079-995-A	SERVICE, NFC INDIVIDUAL
55	A-2075-313-A	ST-1034 FLEXIBLE BOARD, COMPLETE
56	A-2075-481-A	SY-1056 BOARD, COMPLETE (SERVICE) (HX90V)
56	A-2075-482-A	SY-1056 BOARD, COMPLETE (SERVICE) (HX90)
57	4-570-298-01	INSULATING SHEET (SY) (63680)
58	4-571-217-01	SHEET (63680), HDMI
60	4-572-805-01	CUSHION (63680), ES SWITCH
61	4-570-306-01	SHEET (LE) (63680), LC BLIND
62	4-441-672-01	SHEET, ADHESIVE
64	4-570-224-01	SHEET (LC) (63680), LC BLIND
C901	⚠ 1-118-631-11	CAP, ALUMINIUM ELECT 31uF 330V
C902	⚠ 1-120-098-11	CAP, ALUMINIUM ELECT 21uF 330V
SP901	1-858-904-41	LOUD SPEAKER (0.8CM)
#247	4-412-769-11	SCREW (M1.4), NEW TRU-STAR, P2

BT Holder Section



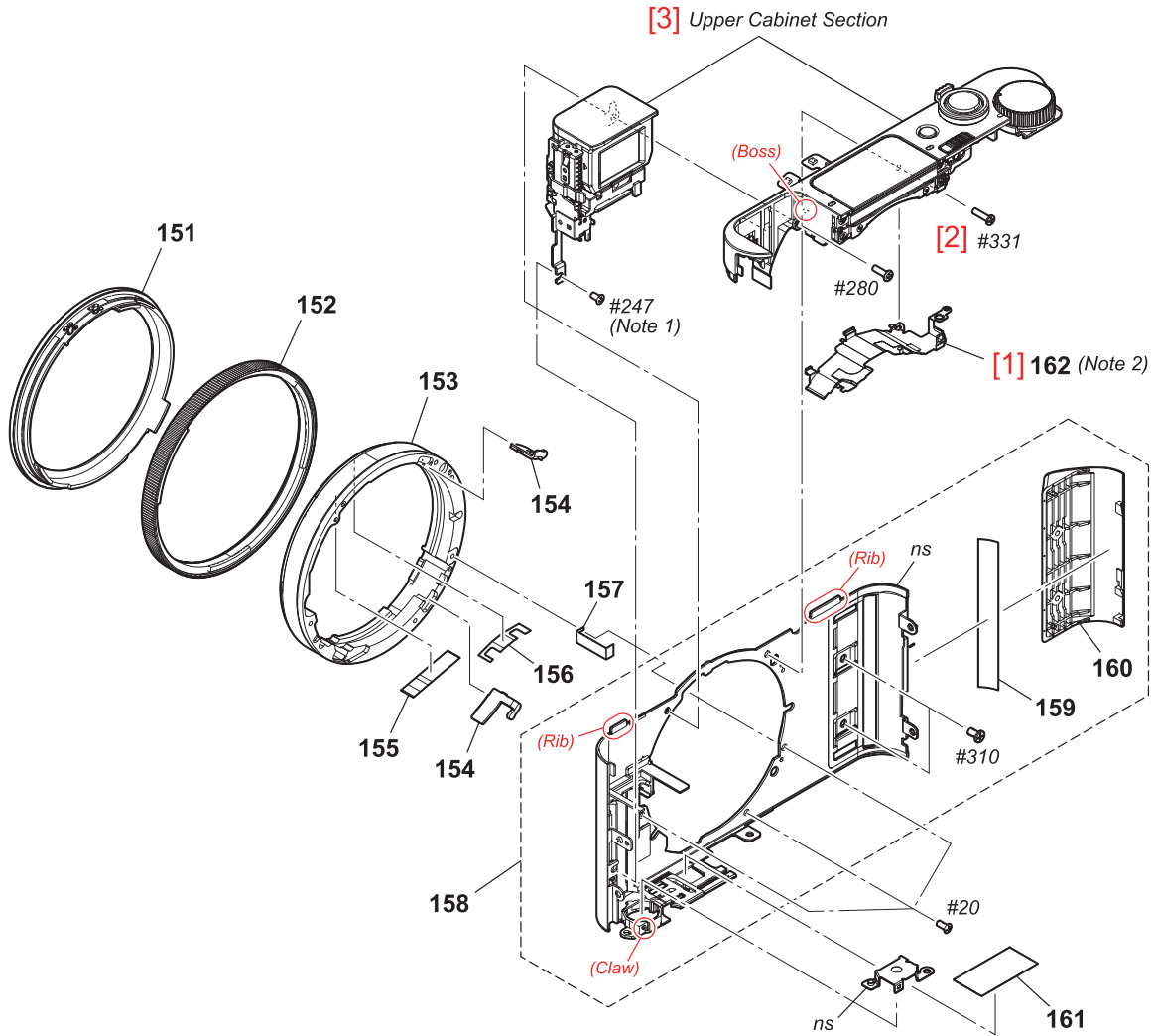
Note 2

POLYESTER TAPE (BLACK) 4MM (9-913-210-04) also can be used as a service part.

POLYESTER TAPE (BLACK) 4MM (9-913-210-04) も サービスパーツとして使用することができます。

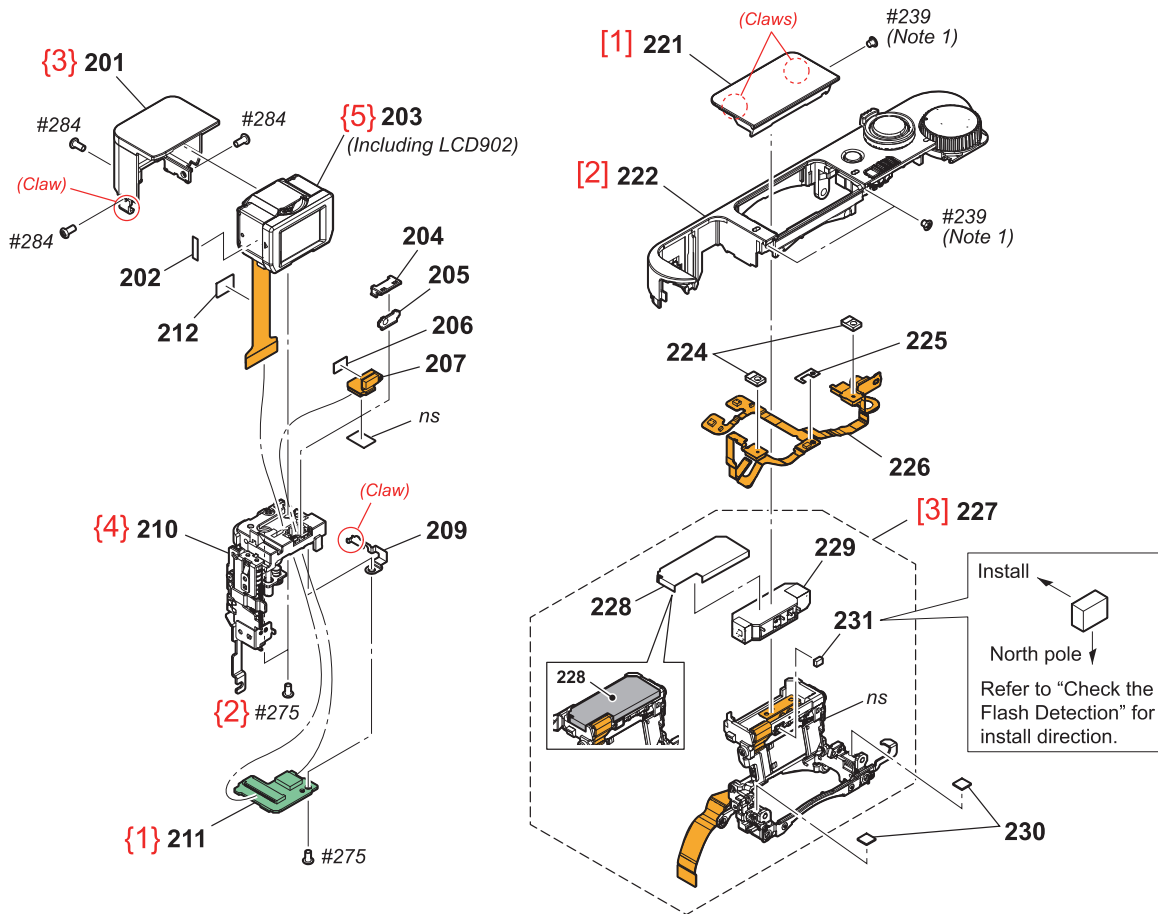
Ref. No. or Q'ty	Part No.	SP Description
101	4-570-294-01	SHEET METAL (63680), GPS GROUND
102	4-570-310-01	CUSHION (63680), AF
103	9-913-210-03	POLYESTER TAPE (BLACK) 10MM (Note 2)
104	A-2079-982-A	RL-1042 BOARD, COMPLETE (SERVICE) (HX90V)
104	A-2075-320-A	RL-1042 BOARD, COMPLETE (HX90)
105	1-894-564-11	FP-2311 FLEXIBLE BOARD
106	4-570-296-01	PLATE (ROTARY BASE) (63680)
107	4-571-220-01	GASKET (63680), RADIATION
108	4-570-307-01	SHEET, AF LIGHT INTERCEPTION
109	4-570-292-01	WINDOW (63680), AF
111	A-2078-538-A	BTH BLOCK ASSY (680) BK SERVICE
112	4-570-309-01	SHEET (63680), STRAP BLIND
113	1-888-407-11	BT-2007 FLEXIBLE BOARD
BT900	⚠ 1-756-710-14	LITHIUM RECHARGEABLE BATTERY
BT901	⚠ 1-780-826-11 *	TERMINAL BOARD, BATTERY
#28	3-348-998-61	SCREW (M1.4X4), TAPPING, PAN
#239	4-287-435-11	SCREW (M1.4 EUROPE) TYPE

Front Cabinet Section



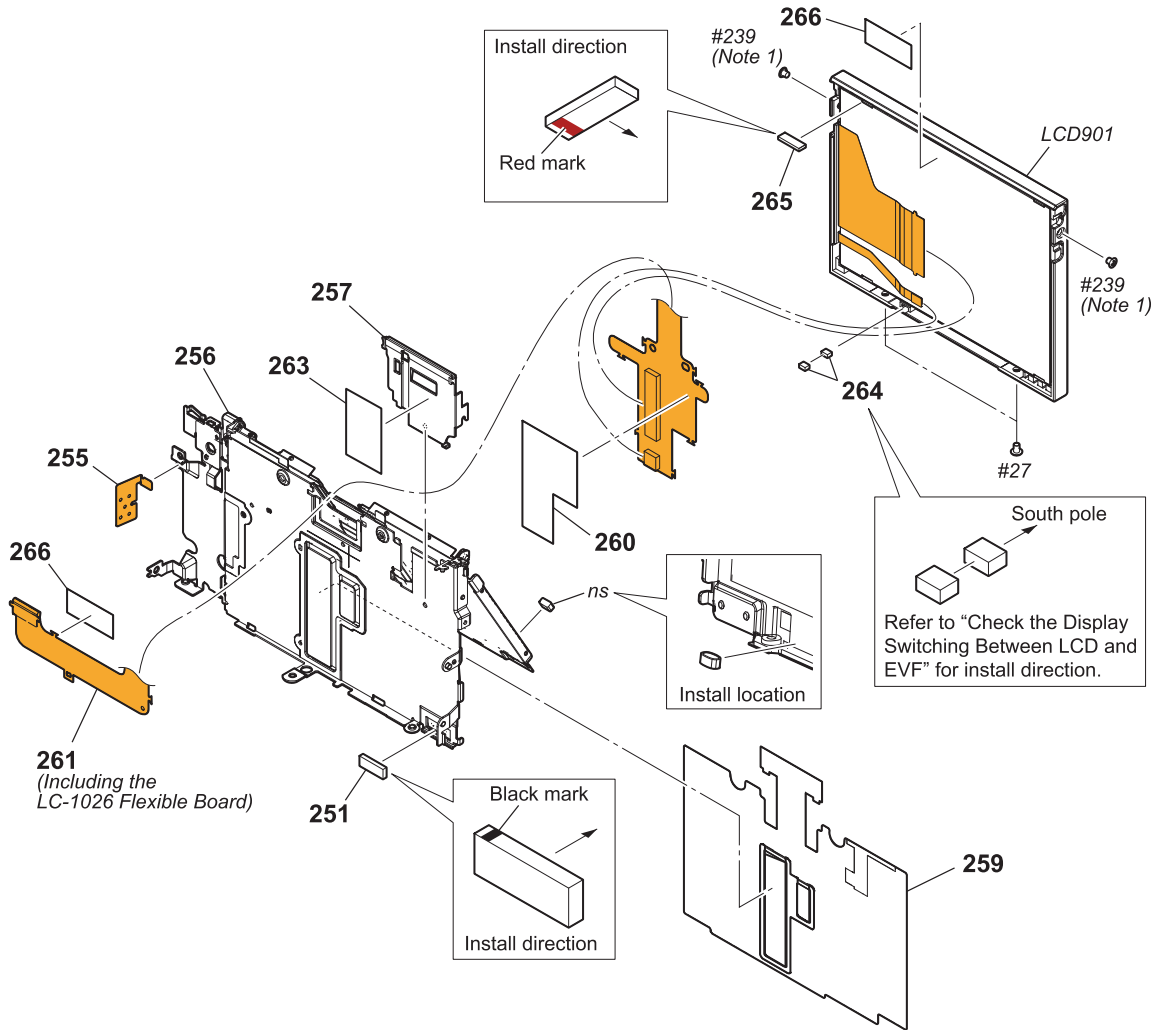
Ref. No. or Q'ty	Part No.	SP Description
151	A-2078-575-A	RETAINER, MANUAL RING SERVICE
152	A-2078-576-A	RING, MANUAL (63680) (SERVICE)
153	A-2078-574-A	LENS RING BLOCK ASSY SERVICE
154	4-570-280-01	STOPPER (63680), RING RETAINER
155	4-570-305-01	RING (63680), FIXED SHEET LENS
156	4-570-308-02	SHEET (63680), PR SENSOR
157	4-571-219-01	SHEET (63680), RADIATION
158	A-2078-586-A	CABINET FRONT (63680) (SERVICE)
159	4-570-286-01	SHEET (GRIP) (63680), ADHESIVE
160	4-570-276-01	GRIP (63680)
161	4-571-218-01	SHEET (63680), HARNESS
162	4-570-288-01	COVER (63680), ST LENS
#20	2-635-591-31	SCREW (M1.4), NEW TRUSTAR, P2
#247	4-412-769-11	SCREW (M1.4), NEW TRU-STAR, P2
#280	4-437-538-11	SPECIAL (M1.4 (D2.75))
#310	4-300-115-31	TAPPING (1.7) (CH)
#331	4-536-370-01	SCREW, 0+P2 1.4 POWERLOK

Upper Cabinet Section



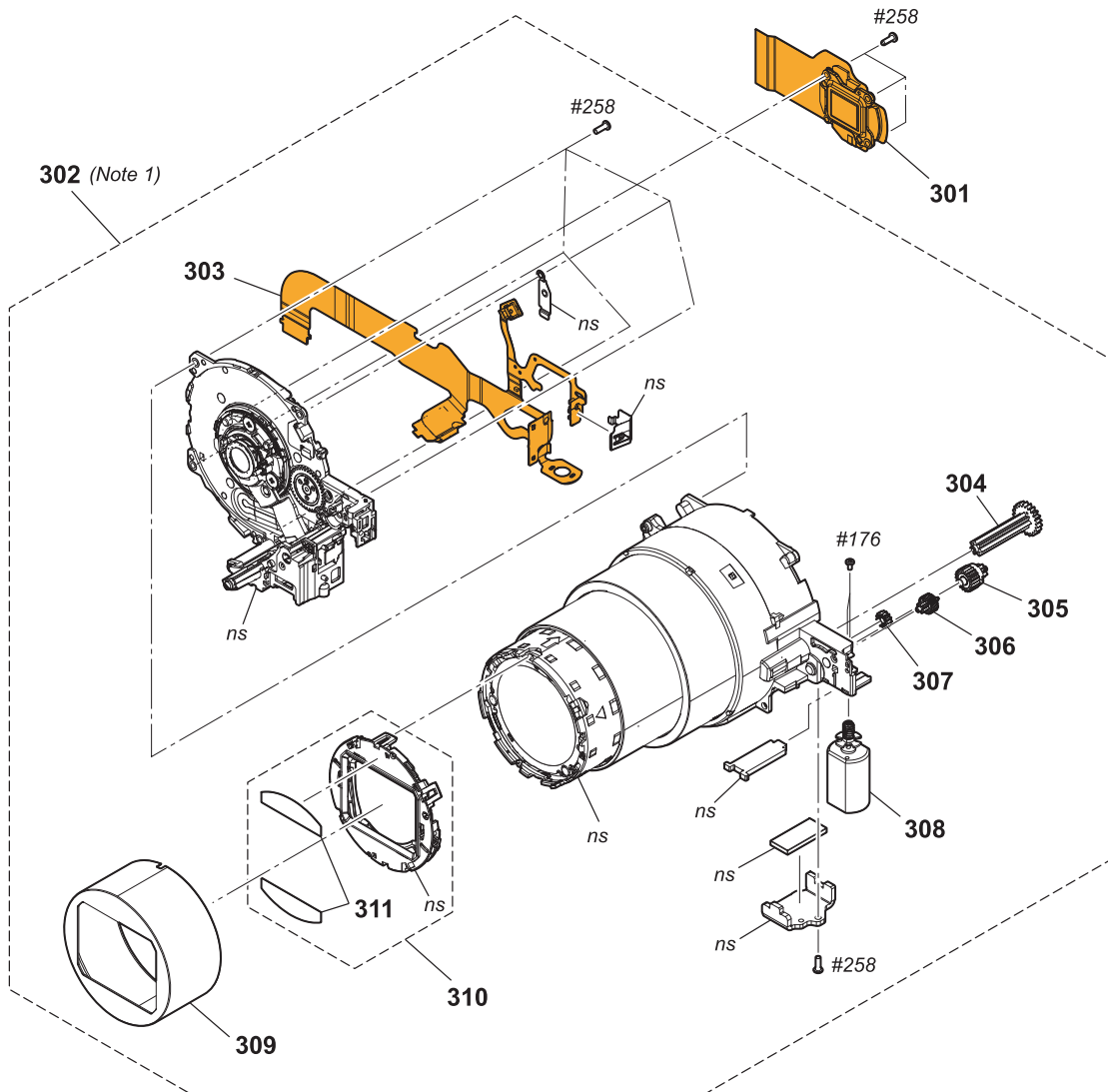
Ref. No. or Q'ty	Part No.	SP Description
201	4-570-255-01	CABINET (63680), VF
202	4-571-198-01	STICKER (63680), PULL
203	A-2078-543-A	EVF UNIT (SERVICE)
204	4-570-264-01	COVER (63680), ES
205	4-570-263-01	LENS (63680), ES
206	4-570-261-01	CUSHION (63680), ES
207	A-2075-314-A	SE-1011 FLEXIBLE BOARD, COMPLETE
209	4-570-257-01	SHEET METAL (63680), EV GROUND
210	X-2591-441-1	SLIDER ASSY (63680), VF
211	A-2075-310-A	EV-1013 BOARD, COMPLETE
212	4-570-901-01	SHEET (63680), VF ADHESIVE
221	4-570-176-01	COVER (63680), ST
222	A-2075-214-A	CABINET UPPER BLOCK ASSY 63680
224	4-570-303-01	RUBBER (63680), MICROPHONE
225	4-570-304-01	SHEET (63680), HALL SENSOR
226	A-2075-312-B	RL-1045 FLEXIBLE BOARD, COMPLETE
227	A-2078-578-A	ST BLOCK ASSY (63680) SERVICE
228	4-573-570-02	SHEET (63680), ST COVER
229	⚠ 1-492-922-11	FLASH UNIT
230	4-534-040-01	CUSHION, MICROPHONE
231	1-471-682-11	MAGNET
#239	4-287-435-11	SCREW (M1.4 EUROPE) TYPE
#275	4-433-882-11	TAPPING (1.4) (ECOLOGY)
#284	4-433-882-21	TAPPING (1.4) (ECOLOGY)

LCD Section



Ref. No. or Q'ty	Part No.	SP Description
251	1-471-549-11 *	MAGNET (ND7.9X2.9X1.2)
255	1-893-251-11	FPC-2010 FLEXIBLE BOARD
256	X-2591-439-1	FRAME ASSY (63680), MAIN
257	4-570-222-01	CABINET (R) (63680), VF
259	4-570-223-01	SHEET (63680), FRAME
260	4-570-217-01	INSULATING SHEET (63680), LC
261	A-2082-763-A	LCD BLOCK ASSY (SERVICE)
263	4-572-807-01	SHEET (63680), VF LOW REF
264	1-471-682-11	MAGNET
265	1-471-678-11	MAGNET
266	4-570-224-01	SHEET (LC) (63680), LC BLIND
LCD901	A-2078-551-A	LCD BLOCK ASSY (680) SERVICE (HX90V)
LCD901	A-2078-552-A	LCD BLOCK ASSY (671) SERVICE (HX90)
#27	2-662-396-11	SCREW (M1.4), NEW, TRUSTAR, P2
#239	4-287-435-11	SCREW (M1.4 EUROPE) TYPE

Lens Section



Ref. No. or Q'ty	Part No.	SP Description
301	A-1940-465-A	CD-1005 FLEXIBLE BOARD, COMPLETE
302	8-848-924-01	LSV-1810A-BK
303	A-2070-463-A	LF-2123 FLEXIBLE BOARD, COMPLETE
304	A-2069-337-A	LUBRICATING BLOCK ASSY, (D)
305	A-2069-335-A	LUBRICATING BLOCK ASSY, GEAR
306	A-2069-333-A	LUBRICATING BLOCK ASSY, WHEEL
307	A-2069-334-A	LUBRICATING BLOCK ASSY, (A)
308	A-2069-322-A	WORM BLOCK ASSY, DC MOTOR
309	4-565-209-01	RING (A), ORNAMENTAL
310	A-2069-338-A	BARRIER BLOCK ASSY (1810A-BK)
311	4-451-090-01	BARRIER TAPE
#176	3-947-504-31	SCREW (M1.2)
#258	4-299-468-11	SCREW, TAPPING UB1.2 (CH)