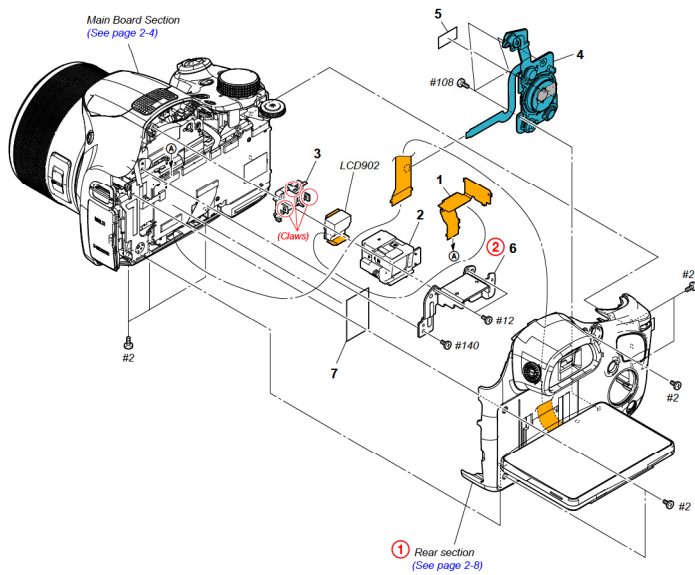


2-1. EXPLODED VIEWS

2-1-1. OVERALL SECTION



Ref. No.	Part No.	Description
1	A-1926-870-A	SE-1004 FLEXIBLE BOARD, COMPLETE
2	X-2581-359-1	VF ASSY (870)
3	4-279-877-01	RETAINER, MODULE
4	1-492-120-11	SWITCH BLOCK, CONTROL (KEY6349)
5	4-275-786-11	SHEET (LCD), PROTECTION
* 6	4-458-112-01	SHEET METAL (490), SHOE
7	4-464-330-01	SHEET (S) (490)

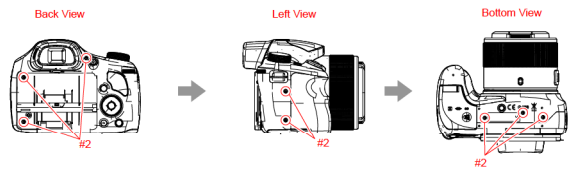
Ref. No.	Part No.	Description
LCD902	1-811-013-11	LCD MODULE (FL0906)
#2	2-635-562-31	SCREW (M1.7)
#12	3-080-204-21	SCREW, TAPPING, P2
#108	2-695-430-01	SCREW (T1.7), HEAD PAN TAPPING
#140	2-635-562-01	SCREW (M1.7)

DSC-HX300_L2

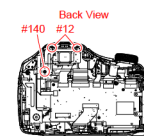
DISASSEMBLY

1. Remove in numerical order (1) to (2) in the left figure.

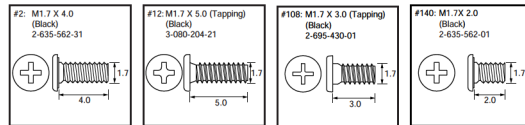
① #2 X 8



② #12 X 2 → #140 X 1

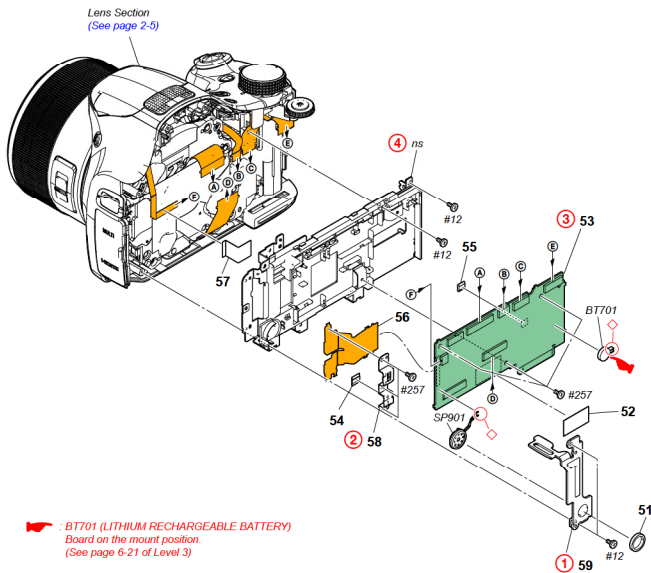


Screw



2-1-2. MAIN BOARD SECTION

ns : not supplied



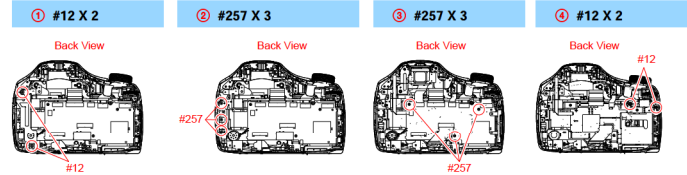
Ref. No.	Part No.	Description
51	4-458-068-01	CUSHION (490), SPEAKER
52	4-461-906-01	SHEET (ESD)
53	A-1926-896-A	SY-1015 BOARD, COMPLETE (SERVICE)
54	4-463-555-01	GASKET (6X5X0.5)
55	4-463-553-01	GASKET (4X4X1)
56	A-1926-868-A	UM-1002 FLEXIBLE BOARD, COMPLETE
57	4-274-987-01	TAPE (AS 1/2) (C)

Ref. No.	Part No.	Description
58	4-458-110-01	PLATE (USB) (490), FIXED
* 59	4-458-109-01	SHEET METAL (L) (490), STRAP
△ BT701	1-756-813-11	LITHIUM RECHARGEABLE BATTERY
SP901	1-858-343-71	LOUDSPEAKER (1.0CM)
#12	3-080-204-21	SCREW, TAPPING, P2
#257	3-208-537-41	0+Z M1.4X2 NEW TORASUTA

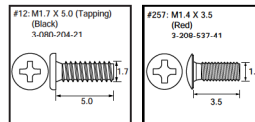
DSC-HX300_L2

DISASSEMBLY

- Remove in numerical order (1) to (4) in the left figure.
- The meaning of the symbol in left figure is as follows. Be careful when you remove it.
◇: Solder



Screw

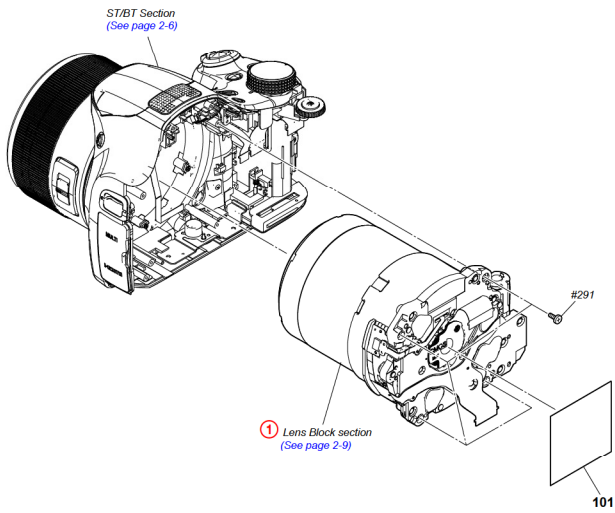


Note

CAUTION
Danger of explosion if battery is incorrectly replaced.
Replace only with the same or equivalent type.
Dispose of used batteries according to the instructions.

注意
電池の交換は、正しく行わないと破裂する恐れがあります。
電池を交換する場合には必ず同じ型名の電池又は同等品と交換してください。
使用済み電池は、取扱指示に従って処分してください。

2-1-3. LENS SECTION

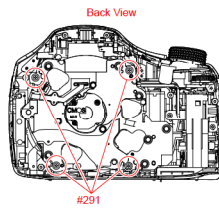


Ref. No.	Part No.	Description
101	4-461-557-01	SHEET (OF)
#291	3-078-890-41	SCREW, TAPPING

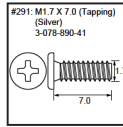
DISASSEMBLY

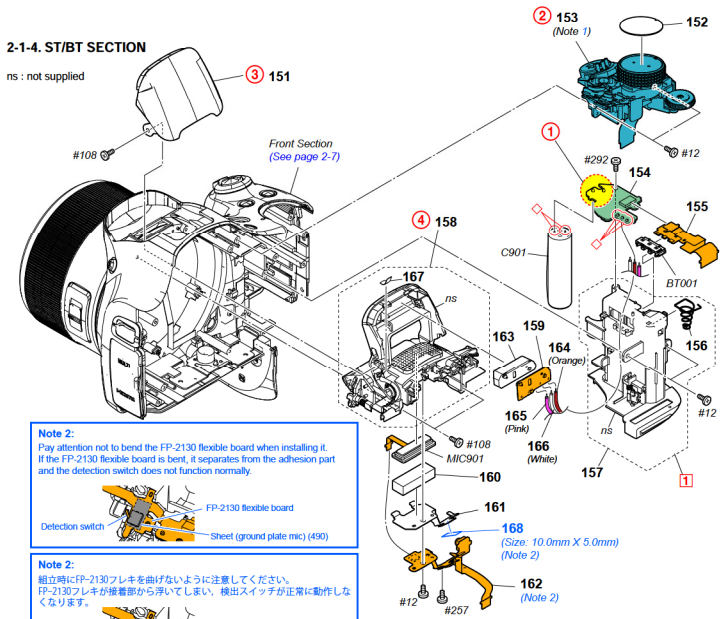
1. Remove in numerical order (1) in the left figure.

1 #291 X 4

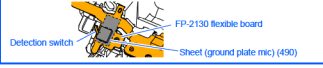


Screw

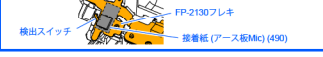




Note 2:
 Pay attention not to bend the FP-2130 flexible board when installing it.
 If the FP-2130 flexible board is bent, it separates from the adhesion part
 and the detection switch does not function normally.



Note 2:
 組立時にFP-2130フレキシブルボードを曲げないように注意してください。
 FP-2130フレキシブルボードが曲げられると、検出スイッチが正常に動作しな
 くなります。



CAUTION
 For the part of 168 : SHEET (GROUND PLATE MIC) (490), if it has
 the adhesion, reuse it again. If not, cut the SHEET, ADHESIVE (4-441-
 672-01) into the desired length and use it.

注意
 168 : SHEET (GROUND PLATE MIC) (490) は、粘着力が残っていれば
 再利用し、粘着力が残っていない場合は、SHEET, ADHESIVE (4-441-
 672-01) を切って使用する。

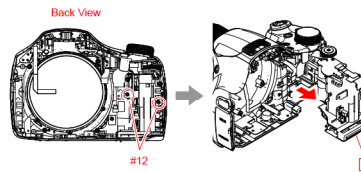
Ref. No.	Part No.	Description
151	4-458-108-01	COVER (490), ST
152	4-458-111-01	PLATE (490), MODE
153	1-492-119-11	SWITCH BLOCK, CONTROL (SW63490) (Note 1)
154	A-1926-865-A	ST-1013 BOARD, COMPLETE
155	1-887-722-11	BT-2005 FLEXIBLE BOARD
156	4-177-693-01	SPRING, BT DISCHARGE
157	X-2586-759-1	BTH ASSY (490)
158	X-2586-765-1	ST ASSY (490)
159	1-888-083-11	HB-1002 FLEXIBLE BOARD
160	4-458-102-01	CUSHION (490), MICROPHONE
161	4-458-101-01	PLATE (MIC) (490), GROUND
162	A-1926-871-A	FP-2130 FLEXIBLE BOARD, COMPLETE (Note 2)

Ref. No.	Part No.	Description
△163	1-490-083-11	FLASH UNIT
164	1-969-004-11	HARNESS (SK-1003) (Orange)
165	1-969-002-11	HARNESS (SK-1001) (Pink)
166	1-969-003-11	HARNESS (SK-1002) (White)
167	4-464-016-01	CUSHION (ST) (490)
168	CAUTION	SHEET (GROUND PLATE MIC) (490) (Note 2)
△BT001	1-780-826-11	TERMINAL BOARD, BATTERY
△C901	1-118-589-11	CAP, ALUMINIUM ELECT 134uF 315V
MIC301	1-542-967-11	MICROPHONE UNIT
#12	3-080-204-21	SCREW, TAPPING, P2
#108	2-695-430-01	SCREW (T1.7), HEAD PAN TAPPING
#257	3-208-537-41	0-Z M1.4X2 NEW TORASUTA
#292	3-316-938-41	SCREW (B1.4X6), TAPPING

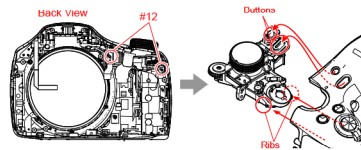
DISASSEMBLY

1. Remove in numerical order (1) to (4) in the left figure.
2. The meaning of the symbol in left figure is as follows. Be careful when you remove it.
 ◇: Solder

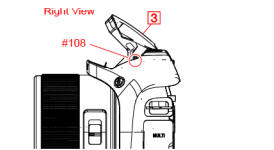
1 #12 X 2 → Pull out the BT Block (1)



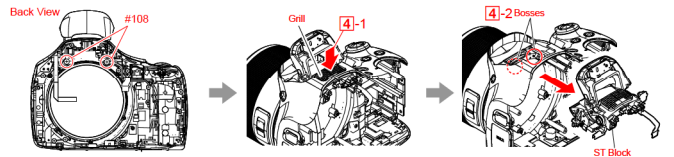
2 #12 X 2 → Remove the Control Switch Block



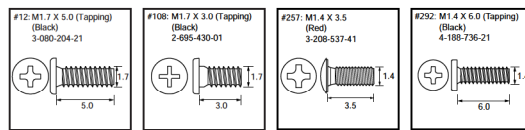
3 Pop up the Strobe (3) → #108 X 1



4 #108 X 2 → Push the Grill (4-1) → Disengage two bosses (4-2) → Remove the ST Block



Screw



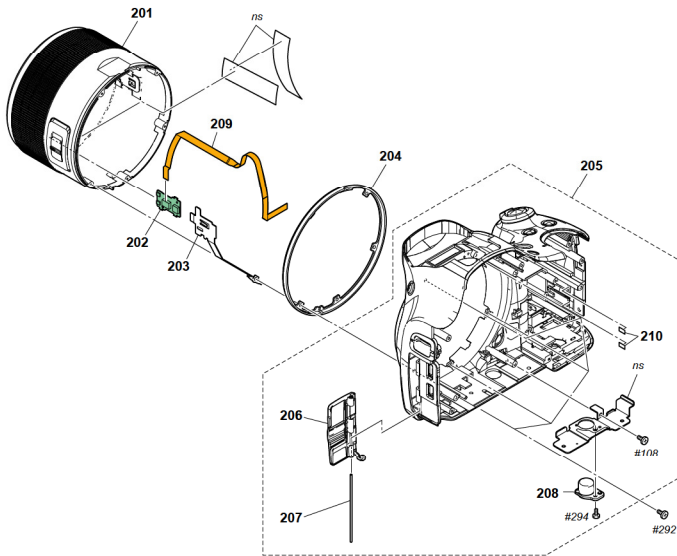
Note

Note 1: Refer to "Assembly-1: Notes on Assembling the Control Switch Block (SW63490)" when assembling.

Note 1: 組立時は "Assembly-1: Notes on Assembling the Control Switch Block (SW63490)" を参照してください。

2-1-5. FRONT SECTION

ns : not supplied

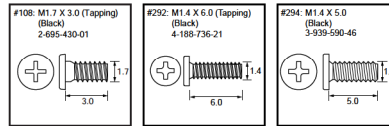


Ref. No.	Part No.	Description
201	X-2586-764-1	RING ASSY (490), MF
202	A-1926-856-A	PR-1003 BOARD, COMPLETE
* 203	4-458-094-01	PLATE (490), MF GROUND
204	4-458-093-01	RING (BASE) (490), LENS
205	X-2586-763-1	CABINET (FRONT) ASSY (490)
* 206	4-458-080-01	COVER (MULTI) (490), JACK
* 207	4-458-081-01	SHAFT (490), JACK COVER

Ref. No.	Part No.	Description
208	3-283-643-01	SCREW, TRIPOD
209	1-846-614-11	CABLE, FLEXIBLE FLAT (FFC-1042)
210	4-426-460-01	SPACER BTH
#108	2-695-430-01	SCREW (T1.7), HEAD PAN TAPPING
#292	3-316-938-41	SCREW (B1.4X6), TAPPING
#294	3-939-590-46	SCREW (B LOCK)

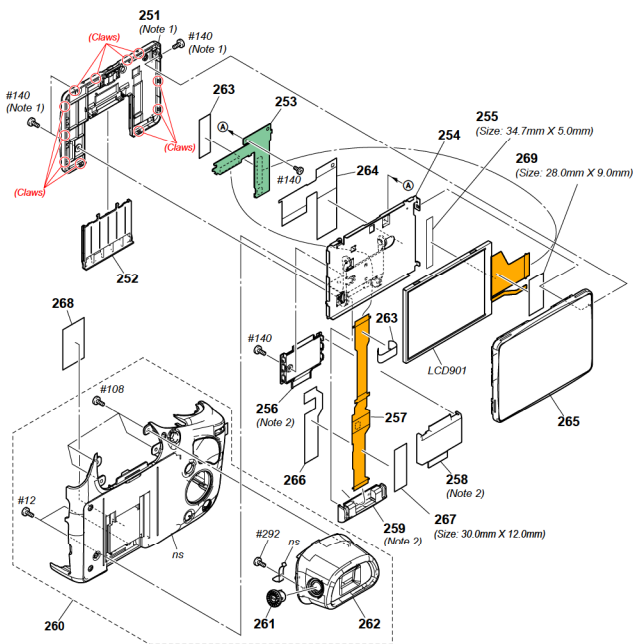
DSC-HX300_L2

Screw



2-1-6. REAR SECTION

ns : not supplied

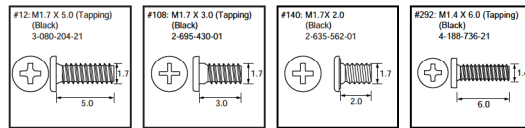


Ref. No.	Part No.	Description
251	X-2586-760-1	CABINET (C) ASSY (490), P
252	4-458-055-01	PLATE (490), BLINDFOLD
253	A-1926-867-A	PD-1019 BOARD, COMPLETE (Note 1)
254	X-2586-761-1	HINGE ASSY (490)
255	CAUTION 1	SHEET (490), LCD
256	4-279-852-01	COVER (C), HINGE (Note 2)
257	A-1926-872-A	FP-2131 FLEXIBLE BOARD, COMPLETE
258	4-279-853-01	COVER (M), HINGE (Note 2)
259	4-458-056-01	COVER (R) (490), HINGE (Note 2)
260	X-2586-762-1	CABINET (REAR) ASSY (490)
* 261	4-458-063-01	KNOB (490), VISIBILITY
* 262	4-458-064-01	EYE CUP (490)
263	4-461-558-01	SHEET (FLEXIBLE BLIND)

Ref. No.	Part No.	Description
264	4-458-059-01	SHEET (490), PD
265	A-1927-448-A	CABINET M, P BLOCK (SERVICE)
266	4-464-523-01	SHEET (RADIATION) (PD FPC 1)
267	CAUTION 2	SHEET (RADIATION) (PD FPC 2)
268	4-464-521-01	SHEET (RADIATION) (REAR)
269	CAUTION 3	SHEET (RADIATION) (LCD)
LCD901	1-811-762-11	PANEL MODULE (PF2-BJD)
#12	3-080-204-21	SCREW, TAPPING, P2
#108	2-695-430-01	SCREW (T1.7), HEAD PAN TAPPING
#140	2-635-562-01	SCREW (M1.7) (Note 1)
#292	3-316-938-41	SCREW (B1.4X6), TAPPING

DSC-HX300_L2

Screw



Note

Note 1: Refer to "Assembly-2: Notes on Assembling the P Cabinet (C) Assy" when assembling.

注意 1: 組立時は "Assembly-2: Notes on Assembling the P Cabinet (C) Assy" を参照してください。

Note 2: Refer to "Assembly-3: The Method of installation of the Hinge Covers" when assembling.

注意 2: 組立時は "Assembly-3: The Method of installation of the Hinge Covers" を参照してください。

CAUTION 1
For the part of 255 : SHEET (490), LCD, cut TAPE, PI FILM (NO.5413) 14X33M (7-600-004-62) into the desired length and use it.

注意 1
255 : SHEET (490), LCD は、TAPE, PI FILM (NO.5413) 14X33M (7-600-004-62) を切って使用すること。

CAUTION 2
For the part of 267 : SHEET (RADIATION) (PD FPC 2), cut SHEET (RADIATION) (PD FPC 1) (4-464-523-01) into the desired length and use it.

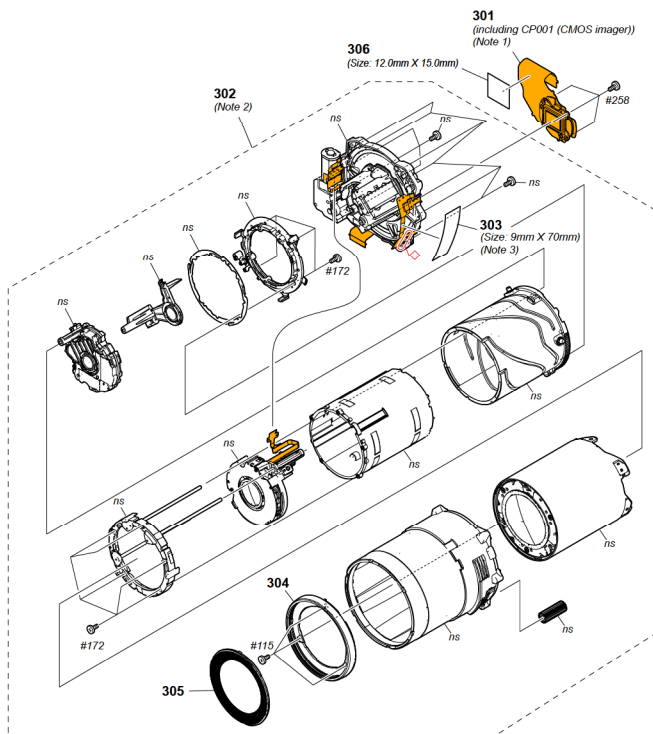
注意 2
267 : SHEET (RADIATION) (PD FPC 2) は、SHEET (RADIATION) (PD FPC 1) (4-464-523-01) を切って使用すること。

CAUTION 3
For the part of 269 : SHEET (RADIATION) (LCD), cut SHEET (RADIATION) (PD FPC 1) (4-464-523-01) into the desired length and use it.

注意 3
269 : SHEET (RADIATION) (LCD) は、SHEET (RADIATION) (PD FPC 1) (4-464-523-01) を切って使用すること。

2-1-7. LENS BLOCK SECTION

ns : not supplied



Ref. No.	Part No.	Description
301	A-1926-869-A	CD-1003 FLEXIBLE BOARD, COMPLETE (including CP001 (CMOS imager)) (Note 1)
302	1-856-440-11	OPTICAL UNIT (BE019) (Note 2)
303	7-600-009-74	TAPE, POLYIMIDE (NO.690) 10MMX20M (Note 3)
304	X-2587-062-1	FRAME ASSY, FILTER SCREW
305	4-460-994-01	PLATE, ORNAMENTAL

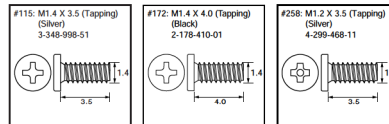
Ref. No.	Part No.	Description
306	CAUTION	SHEET (RADIATION)
#115	3-348-998-51	SCREW (M1.4X3.5), TAPPING, PAN
#172	2-178-410-01	TITE (UB TITE) 1.4
#258	4-299-468-11	SCREW, TAPPING UB1.2 (CH)

DSC-HX300_L2

DISASSEMBLY

The meaning of the symbol in left figure is as follows. Be careful when you remove it.
◇-X: Solder

Screw



Note

Note 1: Be sure to read "Precautions for Replacement of Imager" on page 6-1 of Level 3 when exchanging the imager.

Note 1: イメージャの交換時はLevel 3の6-1ページ、「イメージャ交換時の注意」を必ずお読みください。

Note 2: Refer to the following each item when you exchange parts of Lens Block
 • 1-7. ORNAMENTAL PLATE REPLACING METHOD (page 1-10)
 • 1-8. 2ND ASSY REPLACING METHOD (page 1-10)
 • 1-9. FINAL INSPECTION (page 1-16)

Note 2: レンズブロックの各部品を交換する際は、下記の各項目を参照してください。
 • 1-7. ORNAMENTAL PLATE REPLACING METHOD (page 1-10)
 • 1-8. 2ND ASSY REPLACING METHOD (page 1-10)
 • 1-9. FINAL INSPECTION (page 1-16)

Note 3: Cut the polyimide tape to a specified size.

Note 3: ポリイミドテープは、指定の寸法にカットして使用してください。

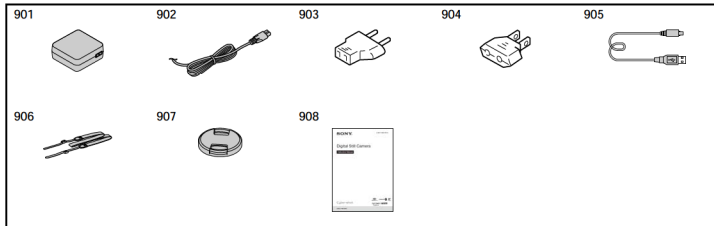
CAUTION

For the part of 306 : SHEET (RADIATION), cut SHEET (RADIATION) (PD FPC 1) (4-464-523-01) into the desired length and use it.

注意

306 : SHEET (RADIATION) は、SHEET (RADIATION) (PD FPC 1) (4-464-523-01) を切って使用すること。

ACCESSORIES



Ref. No.	Part No.	Description
△ 901	1-490-498-12	AC Adaptor AC-UB10UB10BUB10CUB10D (J)
△ 901	1-490-498-21	AC Adaptor AC-UB10UB10BUB10CUB10D (US, CND)
△ 901	1-490-498-31	AC Adaptor AC-UB10UB10BUB10CUB10D (CH)
△ 901	1-490-498-61	AC Adaptor AC-UB10UB10BUB10CUB10D (EXCEPT US, CND, CH, J)
△ 902	1-836-110-11	Power cord (mains lead) (JE)
△ 902	1-837-421-11	Power cord (mains lead) (UK, HK, E (Saudi))
△ 902	1-837-424-11	Power cord (mains lead) (TM)
△ 902	1-837-427-11	Power cord (mains lead) (AEP, RU, E (EXCEPT Saudi))
△ 902	1-837-429-11	Power cord (mains lead) (AUS)
△ 902	1-837-428-12	Power cord (mains lead) (KR)
△ 903	1-569-007-12	Conversion (2P) Adaptor (JE)
△ 904	1-569-008-12	Conversion (2P) Adaptor (E: NTSC)
905	1-846-615-11	Micro USB cable
906	4-167-334-01	Shoulder strap
907	X-2586-766-1	Lens cap
908	4-457-247-01	Instruction Manual (JAPANESE)
908	4-457-247-11	Instruction Manual (SIMPLIFIED CHINESE)
908	4-457-248-11	Instruction Manual (ENGLISH)
* 908	4-457-248-21	Instruction Manual (ENGLISH, SPANISH)
* 908	4-457-248-31	Instruction Manual (ENGLISH, FRENCH)

Ref. No.	Part No.	Description
* 908	4-457-248-41	Instruction Manual (ENGLISH, RUSSIAN, UKRAINIAN)
* 908	4-457-248-51	Instruction Manual (ENGLISH, FRENCH, ITALIAN, SPANISH, PORTUGUESE, GERMAN, DUTCH, GREEK, POLISH, CZECH, HUNGARIAN, SLOVAK, SWEDISH, FINNISH, NORWEGIAN, DANISH, CROATIAN, ROMANIAN)
* 908	4-457-248-61	Instruction Manual (ENGLISH, TRADITIONAL CHINESE, SIMPLIFIED CHINESE, MALAY, INDONESIAN, THAI, TURKISH, ARABIC, PERSIAN)
* 908	4-457-248-71	Instruction Manual (ENGLISH, SPANISH, BRAZILIAN PORTUGUESE)
908	4-457-248-91	Instruction Manual (ENGLISH, SPANISH, BRAZILIAN PORTUGUESE, TRADITIONAL CHINESE, SIMPLIFIED CHINESE, KOREAN)
* 908	4-457-249-11	Instruction Manual (ENGLISH, TRADITIONAL CHINESE, SIMPLIFIED CHINESE)
* 908	4-457-249-21	Instruction Manual (KOREAN)
* 908	4-457-249-31	Instruction Manual (ENGLISH, TRADITIONAL CHINESE)
* 908	4-457-249-41	Instruction Manual (ENGLISH, ARABIC, PERSIAN)

Note: This unit has no bundled CD-ROM. Contents included in the CD-ROM will be supplied to customers as follows.

- * User Guide (HTML)
 - You can access the URL of the support site described in the Instruction Manual.
 - All of the contents in the User Guide are included in the Instruction Manual or built-in guide.
- * Application Software
 - If a customer requests the CD-ROM, consult with each Head Quarters.

Ref. No.	Part No.	Description
△	8-022-359-00	Rechargeable battery pack NP-BX11J (J)
△	8-022-359-31	Rechargeable battery pack NP-BX11UC (US, CND)
△	8-022-359-50	Rechargeable battery pack NP-BX11CF (EXCEPT J, US, CND, CH)
△	8-022-359-71	Rechargeable battery pack NP-BX11CN (CH)