

776 N

**SECTION 6
REPAIR PARTS LIST**

0838951018281

Sony DSCF55E

6-1. EXPLODED VIEWS

NOTE:

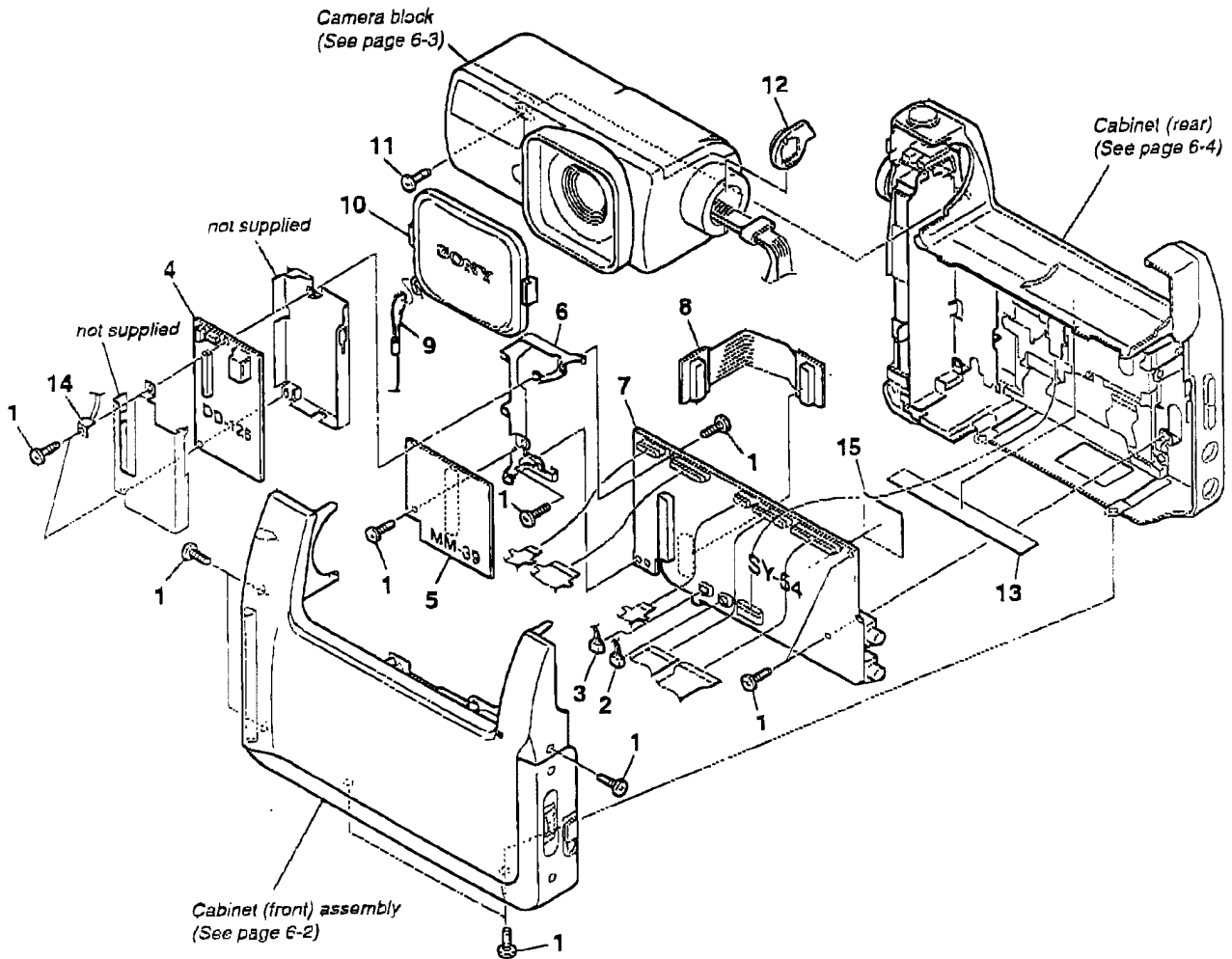
- XX, -X mean standardized parts, so they may have some differences from the original one.
- Items marked "*" are not stocked since they are seldom required for routine service. Some delay should be anticipated when ordering these items.

- The mechanical parts with no reference number in the exploded views are not supplied.
- Abbreviation
 CND : Canadian model
 JE : Tourist model
 AUS : Australian model
 HK : Hong Kong model
 CN : Chinese model

The components identified by mark Δ or dotted line with mark Δ are critical for safety. Replace only with part number specified.

Les composants identifiés par une marque Δ sont critiques pour la sécurité. Ne les remplacer que par une pièce portant le numéro spécifié.

6-1-1. OVERALL SECTION



Ref. No.	Part No.	Description	Remarks	Ref. No.	Part No.	Description	Remarks
1	3-989-735-51	SCREW (M1.7), LOCK ACE, P2		7	A-7074-057-A	SY-54 BOARD, COMPLETE(F55E)	
2	1-959-605-11	HARNESS (SV-110)		8	1-673-451-21	FP-109 FLEXIBLE BOARD	
3	1-959-606-11	HARNESS (SS-72)		9	X-3949-706-1	STRAP ASSY, LENS CAP	
4	A-7074-056-A	DD-126 BOARD, COMPLETE(F55)		10	X-3949-596-1	CAP ASSY, LENS	
4	A-7074-060-A	DD-126 BOARD, COMPLETE(F55E)		11	3-056-092-01	SCREW, HEAD (2 LOCK) TAPPING	
5	A-7074-069-A	MM-39 BOARD, COMPLETE (SERVICE)(F55)		12	3-055-027-01	FLEXIBLE STABILIZER	
5	A-7074-070-A	MM-39 BOARD, COMPLETE (SERVICE)(F55E)		* 13	3-056-033-01	SHEET, FLEXIBLE RETAINER	
* 6	3-055-002-01	FRAME, DD		14	1-959-947-11	HARNESS (DC-67)	
7	A-7074-053-A	SY-54 BOARD, COMPLETE(F55)		* 15	3-056-172-01	KT SHEET	