

ÇİZEN : MURAT
ÖZDEN

TARİH : 01.06.2004

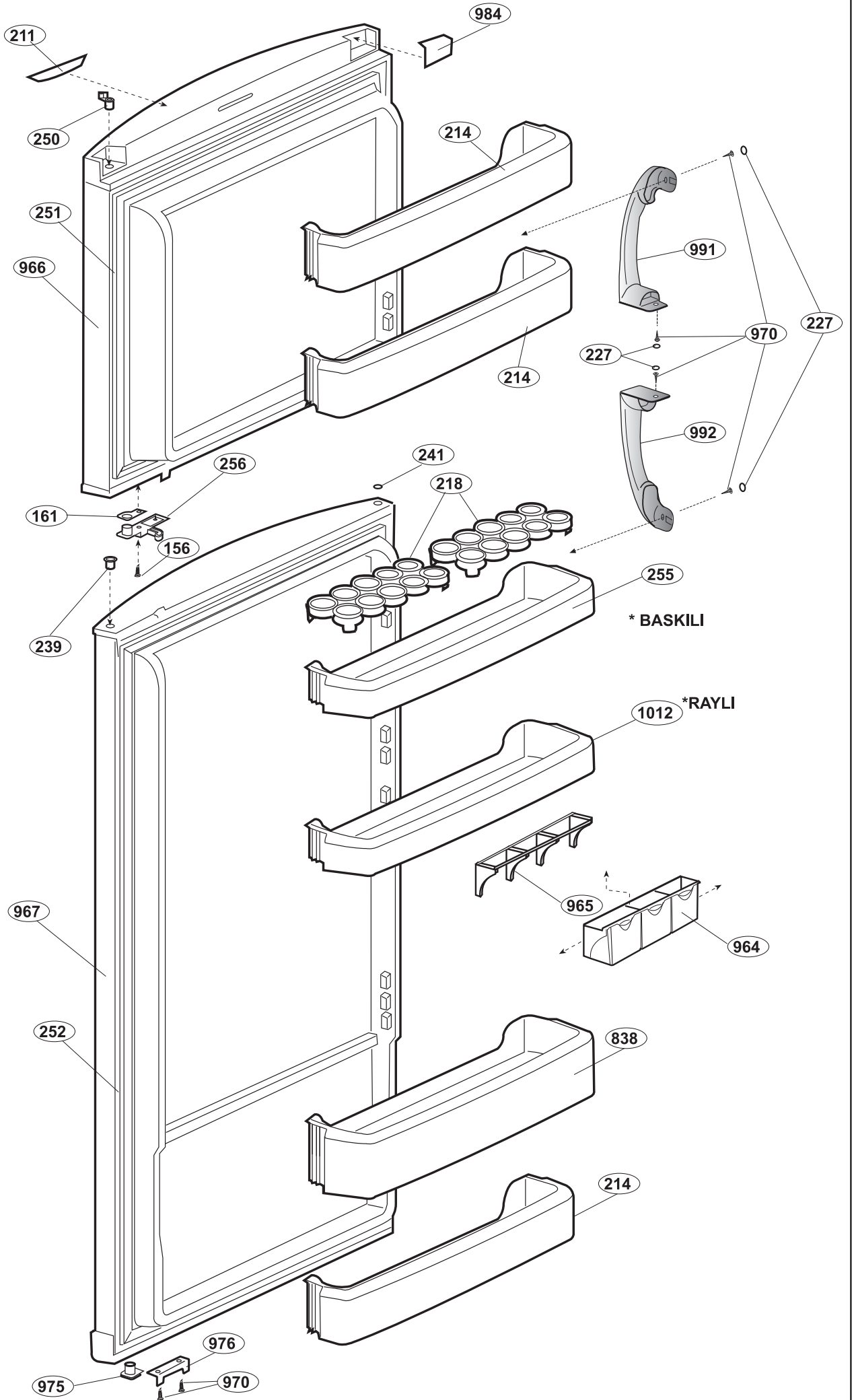
ONAY :S.BAHTIYAR

İLGİLİ MODELLER : B-920 KOMPRESÖR

RESİM NO : 551

REVİZYON :01

REV. TARİHİ :16-07-2004



Pos.	Référence	Désignation
0003	A4319650100	THERMOSTAT KNOB PRINTED
0012	A4220130185	DOOR SWITCH(DEKA-B 30)
0013	A4343420100	LOWER HINGE ASSY
0014	A4152080100	TOP HINGE ASSEMBLY
0017	A9001230200	PLASTIC CLAMP
0019	A4243120400	DRYER (10 gr)
0023	A4247450100	TRUNK CLAMP
0026	A4203930200	ADJUSTABLE GLIDER (SHORT)
0029	A4056670000	SPACER
0030	A5087107011	COMPRESSOR (TE 180 YT).
0031	A4225850200	TERMINAL COVER
0032	A4244690200	BUSHING (EMBRACO COMPRESSOR).
0033	A4296130100	RUBBER GROMMET.
0034	A4298920000	LINE 2001
0035	A4070700000	TERMINAL COVER SPRING
0036	A4837900200	SCREW (SF M6X35 WN1352)
0038	A4133840485	POWER CABLE ASSY
0040	A4049730100	SCREW (3.9*12)
0043	A4059050685	PTC RELAY (8EA 19C3)
0043	A4829730185	PTC RELAY (150M3_JAHWA)
0044	A4085521185	OVERLOAD PROTECTOR (4TM232NFBYY-
0044	A4219840685	OVERLOAD PROTECTOR (T0138/91).
0048	A4121070385	CAPASITOR ASSEMBLY (5mF/FAST FIX
0050	A9002410000	TOPTITE SCREW
0053	A4319660100	CONDENSER ASSY.
0057	A4319610185	EVAPORATOR B-920/KENMORE(KOREL H
0100	A4047900700	PLASTIC WASHER
0101	A4091950100	SELF WASHERED BOLT (M5x16)
0103	A100601920	SCREW (BZ 4.2*16 DIN 7981-H)
0107	A4243780100	SCREW.
0125	A4024820100	CHARGING TUBE
0130	A130500120	SERRATED LOCK WASHER (A4.3 DIN 6
0132	A4815490100	EVAPORATING PAN.
0132	A4803670100	EVAPORATING PAN
0135	A4819020400	MIDDLE HINGE PLUG (WHITE)
0156	A4297630100	PT SCREW-K40x20 WN 1412
0161	A4200470100	UPPER DOOR STOPER(LINE 2001)
0161	A4200470200	UPPER DOOR STOPER(LINE 2001)
0163	A110705340	BOLT (M4*10 DIN 933-8.8-B2A)
0165	A4223430100	"VACUUMING TUBE ("L" SHAPED)"
0200	A4250140100	COMPRESSOR TRAVERSE WHEEL (LINE
0201	A4250760200	COMPRESSOR TRAVERS WHELL PIN (LI
0202	A4114482500	COMPRESSOR TRAVERSE
0202	A4050490200	COMPRESSOR TRAVERSE
0205	A4109811485	CABLE ASSY.
0211	A4807910300	NAME PLATE
0215	A4048590500	PLUG-HANDLE HOLE
0227	A4055881600	PLUG
0237	A4049970200	HANDLE SCREW
0239	A4249400100	HINGE HOLDER-LINE 2001
0241	A4297100100	FF STOPPER-LINE 2001
0250	A4804560100	TOP HINGE HOUSING.
0251	A4324850100	B910/930/955/965 UPPER DOOR GASK
0252	A4324850300	B930/ LOWER DOOR GASKET ASSY
0256	A4250520110	HINGE BARING WITH STOPER-RIGHT(N
0256	A4250530110	STOPER HINGE-LEFT (NF VERTEX)
0275	A4807250100	HINGE HOLES COVER
0300	A4211480200	ICE CUBE TRAY
0310	A4305840700	GLASS SHELF ASSY(PRINT)
0311	A4806760400	CRISPER (B-680/920)
0404	A4035890385	INTERIOR LAMP (15W)
0601	A4152160110	MIDDLE HINGE ASSEMBLY (LINE 2001
0701	A4319630185	TERMOSTAT HOUSING ASSY
0713	A4812480185	REFRIGIRATOR HEATER.VERTEX NF
0720	A4242640185	FAN BLADE(NF-CCW-100MM-TH)
0722	A4250010100	MOTOR HOUSE SUPPORT-LINE 2001.
0732	A4305880185	TIMER COVER ASSY-NF
0741	A4319700185	EVA FRONT/BACK COVER ASSY/
0765	A4248720900	VEGETABLE TRAY COVER (70 CM)
0766	A4248720900	AIR CLAMP Q300 5.2 LINE 2001

Pos.	Référence	Désignation
0774	A4806660100	MULTIFLOW COVER .B-920
0775	A4808990100	MULTIFLOW ISOLATION B-920
0776	A4809590185	HEATER(B-920)
0780	A4806670100	FF ILLUMINATING B-920
0799	A4249010600	FRZ SHELF(70 CM SEF 97)
0838	A4298100400	100 MM DOOR SHELF(70 CM)
0944	A4296010100	3.9*16 INOX SCREW.
0946	A4832450100	NEW DUBEL LINE 2001).
0955	A4811830100	SCREW(M5x16)
0964	A4806330300	KEEPING CUP (DIF.NAT./BLUE)
0965	A4806340100	SLIDING CUP MECHANISM/B-990/995
0966	A4321800800	FOAMED UPPER DOOR ASS-B930/BEKO
0967	A4321670800	FOAMED DOOR ASSEMBLY-B930
0970	A4242270200	SELF WASHERED PT SCREW (4*16)
0970	A9003270700	SCREW
0971	A4298630100	HANDLE HOLE PLUG (LG/WHITE)
0973	A4305890185	EVA FAN ASS.NF LINE 2001.
0975	A4250670100	HINGE HOLDER-LINE 2001
0976	A4250320100	LOWER DOOR STOPER-LINE 2001
0984	A4810440100	UPPER DOOR BROW HINGE COVER-LEFT
0984	A4805110100	UPPER DOOR BROW HINGE COVER-LEFT
0989	A4299880100	FASTENER (M4)
0991	A4326390600	HANDLE (TOP)
0992	A4326390100	HANDLE (BOTTOM)
0995	A9000130300	SUCTION TUBE PROTECTOR
0995	A9000130400	RUBBER HOLDER
1003	A4250750100	WIRE OF COMMODITY RACK
1006	A4249240200	CRISPER MOVEABLE RAIL-70 CM-LINE
1012	A4812450500	55 MM DOOR SHELF(70 CM).
1073	A4810430100	UPPER DOOR BROW HINGE COVER-RIGH