

## S7. Replacement Parts List

- Note: 1.\* Be sure to make your orders of replacement parts according to this list.
2. IMPORTANT SAFETY NOTICE  
Components identified with the mark  $\triangle$  have the special characteristics for safety.  
When replacing any of these components, use only the same type.
3. Unless otherwise specified,  
All resistors are in OHMS, K=1,000 OHMS. All capacitors are in MICRO-FARADS (uf), P=uuF.
4. The marking (RTL) indicates the retention time is limited for this item. After the discontinuation of this assembly in production, it will no longer be available.

**E.S.D. standards for Electrostatically Sensitive Devices, refer to “PREVENTION OF ELECTROSTATIC DISCHARGE (ESD) TO ELECTROSTATICALLY SENSITIVE (ES) DEVICES” section.**

**Definition of Parts supplier:**

1. Parts marked with [SPC] in the remarks column are supplied from AVC-CSC-SPC.  
Others are supplied from PAVCSK.

Ref.No.	Part No.	Part Name & Description	Pcs	Remarks
##	RFKB71181JT	MAIN P.C.B.	1	(RTL) E.S.D.
##	VEP73177C	AV IO P.C.B.	1	(RTL) E.S.D.
##	VEP70352A	FRONT (L) P.C.B.	1	(RTL) E.S.D.
##	VEP70354A	FRONT (R) P.C.B.	1	(RTL) E.S.D.
##	RFKB71181JT	MAIN P.C.B.		(RTL) E.S.D.
C1601	F2A1E3310075	25V 330U	1	
C1611	F1H1H103A219	50V 0.01U	1	
C1612	F1H1A105A028	10V 1U	1	
C1613	F1H1A105A028	10V 1U	1	
C1621	F1H1A105A028	10V 1U	1	
C1622	F1J0J106A014	6.3V 10U	1	
C1623	F1H1C104A071	16V 0.1U	1	
C3801	F1H1H102A013	50V 1000P	1	
C3803	F1H1H102A013	50V 1000P	1	
C6801	F1H1H103A219	50V 0.01U	1	
C6805	F1J0J226A014	6.3V 22U	1	
C6806	F1J0J226A014	6.3V 22U	1	
C6807	F1J0J106A014	6.3V 10U	1	
C6812	F1H1C104A071	16V 0.1U	1	
C7501	F2A1C221B111	16V 220U	1	
C7503	F1H1H392A013	50V 3900P	1	
C7504	F2A1C221B111	16V 220U	1	
C7505	F2A1V560A387	35V 56U	1	
C7506	F2A1H220A455	50V 22U	1	
C7507	F2A1H220A455	50V 22U	1	
C7933	F4D55473A013	5.5V 0.047	1	
C10101	F1H1H221A004	50V 220P	1	
△ C11101	F0CAF683A021	100V 0.068P	1	
△ C11102	F1B2G471A014	400V 470P	1	
△ C11103	F1B2G471A014	400V 470P	1	
C11107	F2B2W4700003	450V 47U	1	
△ C11109	F1B2G222A018	400V 2200P	1	
△ C11111	F0CAF683A021	100V 0.068P	1	
C11301	F1B3D391A011	390U	1	
C11302	F1H1H222A013	50V 2200P	1	
C11303	F2A1V2210081	35V 220U	1	
C11304	F1H1H101A004	50V 100P	1	
C11305	F1H1H472A013	50V 4700P	1	
C12202	F1H1C104A071	16V 0.1U	1	
C12203	F1H1C104A071	16V 0.1U	1	
C13101	F1H1A105A028	10V 1U	1	
C13103	F2A1C3300040	16V 33U	1	
C13201	F2A1C1520021	16V 1500U	1	
C13202	F2A1C1520021	16V 1500U	1	
C13203	F2A1C8210008	16V 820U	1	
C14201	F1K1C1060001	16V 10U	1	
C14202	F1K1C1060001	16V 10U	1	
C14203	F1J1E105A080	25V 1U	1	
C14204	F1H1C104A071	16V 0.1U	1	
C14205	F1H1H561A004	50V 560P	1	
C14206	F1H1C104A071	16V 0.1U	1	
C14218	F2A1C8210008	16V 820U	1	
C14300	F1J1C1060001	16V 10U	1	
C14301	F1J1C1060001	16V 10U	1	
C14302	F1J1C1060001	16V 10U	1	
C14303	F1H1C104A071	16V 0.1U	1	
C14304	F1H1H332A013	50V 3300P	1	
C14305	F1H1C104A071	16V 0.1U	1	
C14307	F1H1C104A071	16V 0.1U	1	
C14315	F2A1C8210008	16V 820U	1	
D7501	B0BA03600021	DIODE	1	E.S.D.
D7502	B0AACK000004	DIODE	1	E.S.D.
D7503	B0AADM000003	DIODE	1	E.S.D.
D7504	B0JAMD000026	DIODE	1	E.S.D.
D7505	B0AADM000003	DIODE	1	E.S.D.
D7506	B0BA02100019	DIODE	1	E.S.D.
D7507	B0BA01900005	DIODE	1	E.S.D.
D10101	B0ACCK000005	DIODE	1	E.S.D.
D10102	B0ACCK000005	DIODE	1	E.S.D.
D11101	B0EDKT000009	DIODE	1	E.S.D.
D11301	B0BC03200002	DIODE	1	E.S.D.

Ref.No.	Part No.	Part Name & Description	Pcs	Remarks
D11302	B0BA01600007	DIODE	1	E.S.D.
D11303	B0ACCE000003	DIODE	1	E.S.D.
D11304	B0HAGM000006	DIODE	1	E.S.D.
D11305	B0BC01000014	DIODE	1	E.S.D.
D11306	B0HADV000001	DIODE	1	E.S.D.
D13201	B0JBSG000057	DIODE	1	E.S.D.
D14201	B0JCMD000014	DIODE	1	E.S.D.
D14202	B0JCMD000014	DIODE	1	E.S.D.
D14301	B0JCMD000014	DIODE	1	E.S.D.
D14302	B0JCMD000014	DIODE	1	E.S.D.
△ F11101	K5G202Y00006	FUSE	1	
IC1601	C0EBK0000206	IC	1	E.S.D.
IC1611	C0CBCBD00008	IC	1	E.S.D.
IC1621	C0DBEY000016	IC	1	E.S.D.
IC6803	RFKFM24TFE2T	IC	1	E.S.D.
IC11301	C0DACZH00017	IC	1	E.S.D.
IC12201	C0DAEY000022	IC	1	E.S.D.
IC14201	C0DBAYY00602	IC	1	E.S.D.
IC14301	C0DBAYY00624	IC	1	E.S.D.
△ IP7501	K5H501Z00005	IC PROTECTOR	1	
JK3801	K2HA107B0002	JACK, VIDEO/AUDIO IN	1	
L1601	G0C100K00043	COIL 10UH	1	
L1602	G0C100K00043	COIL 10UH	1	
L7501	G0C390JA0055	COIL 39UH	1	
△ L11101	G0B273E00006	COIL	1	
△ L11102	G0B273E00006	COIL	1	
L13201	G0A100H00025	COIL 10UH	1	
L14203	G0A100ZA0045	COIL	1	
L14302	G0A100ZA0045	COIL	1	
LB3801	J0JBC0000011	COIL	1	
LB3802	J0JBC0000011	COIL	1	
LB3803	ERJ3GEY0R00V	1/10W 0	1	
LB6801	J0JHC0000032	COIL	1	
LB6802	J0JCC0000185	COIL	1	
LB6803	J0JCC0000020	COIL	1	
LB6804	J0JCC0000185	COIL	1	
LB7501	ERJ3GEY0R00V	1/10W 0	1	
LB7502	ERJ3GEY0R00V	1/10W 0	1	
LB11103	J0JKB0000003	COIL	1	
LB11104	J0JHC0000048	COIL	1	
LB14201	J0JHC0000048	COIL	1	
LB14301	ERJ6GEY0R00V	1/8W 0	1	
P1602	K1KA04AA0301	CONNECTOR(4P)	1	
P1603	K1KA04AA0193	CONNECTOR(4P)	1	
P6701	K1KY23AA0606	CONNECTOR(23P)	1	
P6702	K1KY09AA0606	CONNECTOR(9P)	1	
P6703	K1KY23AA0606	CONNECTOR(23P)	1	
P6801	K1NA12B00005	SD CARD CONNECTOR	1	
P6802	K1FY104B0006	JACK, DV IN	1	
P6804	K1FY104B0037	JACK, USB	1	
P7501	K1KB12B00040	CONNECTOR(12P)	1	
△ P11101	K2AA2B000017	AC INLET	1	
Q7501	B1ADLB000006	TRANSISTOR	1	E.S.D.
Q7502	B1BACG000058	TRANSISTOR	1	E.S.D.
Q7503	B1ABGC000011	TRANSISTOR	1	E.S.D.
Q10101	B1ABDF000033	TRANSISTOR	1	E.S.D.
△ Q10102	B3PBA0000454	TRANSISTOR	1	E.S.D.
△ Q12201	B3PBA0000454	TRANSISTOR	1	E.S.D.
Q13102	B1CHQD000010	TRANSISTOR	1	E.S.D.
Q14202	B1CHR0000024	TRANSISTOR	1	E.S.D.
Q14301	B1DHDD000022	TRANSISTOR	1	E.S.D.
Q14302	B1CFRD000023	TRANSISTOR	1	E.S.D.
QR7501	B1GBCFJ00040	TRANSISTOR	1	E.S.D.
QR7502	B1GDCFN00024	TRANSISTOR	1	E.S.D.
QR10101	B1GBCFN00041	TRANSISTOR	1	E.S.D.
QR10103	B1GBCFN00041	TRANSISTOR	1	E.S.D.
QR13101	B1GBCFN00041	TRANSISTOR	1	E.S.D.



Ref.No.	Part No.	Part Name & Description	Pcs	Remarks
C4008	F2A1E4700048	25V 47U	1	
C4009	F2A1E1010067	25V 100U	1	
C4010	F1H1A105A028	10V 1U	1	
C4012	F1H1A105A028	10V 1U	1	
C4014	F2A1E4700048	25V 47U	1	
C4016	F1H1A105A028	10V 1U	1	
C4017	F1H1A105A028	10V 1U	1	
C4019	F2A1E4700048	25V 47U	1	
C4020	F1K1C106A062	16V 10U	1	
C4021	F1K1C106A062	16V 10U	1	
C4022	F1K1C106A062	16V 10U	1	
C4023	F1K1C106A062	16V 10U	1	
C4024	F1H1H471A792	50V 470P	1	
C4025	F1H1H471A792	50V 470P	1	
C4063	F2A1E470A205	25V 47U	1	
C4064	F2A1E470A205	25V 47U	1	
C4082	F1H1H102A004	50V 1000P	1	
C4083	F1H1H102A004	50V 1000P	1	
C4901	F1H1A105A028	10V 1U	1	
C4902	F1H1A105A028	10V 1U	1	
C4903	F1H1A105A028	10V 1U	1	
D3901	B0AACK000004	DIODE	1	E.S.D.
D4001	B0JCDD000001	DIODE	1	E.S.D.
IC3001	C1AB00003266	IC	1	E.S.D.
IC3004	C0DBGY00319	IC	1	E.S.D.
IC3005	C0CBCDC00052	IC	1	E.S.D.
IC4901	C0CBCDC00052	IC	1	E.S.D.
JK3002	K2HA306B0086	JACK, VIDEO/AUDIO OUT	1	
JK3901	K1FB242B0007	JACK, AV1/2	1	
JK4901	B3ZA20000016	JACK, DIGITAL AUDIO OUT	1	
K4002	ERJ6GEY0R00V	1/8W 0	1	
L3001	G1C100K00031	COIL 10UH	1	
L4901	G1C100K00031	COIL 10UH	1	
LB3001	J0JGC0000063	COIL	1	
LB3002	J0JGC0000063	COIL	1	
LB3901	J0JBC0000134	COIL	1	
LB3902	J0JBC0000134	COIL	1	
LB3903	J0JBC0000134	COIL	1	
LB3904	J0JBC0000134	COIL	1	
LB3905	J0JGC0000063	COIL	1	
LB4001	J0JBC0000134	COIL	1	
LB4002	J0JBC0000134	COIL	1	
LB4003	J0JGC0000063	COIL	1	
LB4901	J0JGC0000020	COIL	1	
P3001	K1MN30A00019	CONNECTOR(23P)	1	
P3002	K1MN11A00009	CONNECTOR(11P)	1	
Q4001	B1ADLB000006	TRANSISTOR	1	E.S.D.
QR4001	B1GBCFJ00040	TRANSISTOR	1	E.S.D.
R3001	ERJ3GEYJ750V	1/10W 75	1	
R3005	ERJ6GEYJ101V	1/8W 100	1	
R3006	ERJ6GEYJ101V	1/8W 100	1	
R3007	ERJ3GEYJ332V	1/10W 3.3K	1	
R3008	ERJ3GEYJ123V	1/10W 12K	1	
R3009	ERJ3GEYJ562V	1/10W 5.6K	1	
R3010	ERJ6GEYJ750V	1/8W 75	1	
R3011	ERJ3GEYJ184V	1/10W 180K	1	
R3901	ERJ3GEYJ103V	1/10W 10K	1	
R3902	ERJ3GEYJ471V	1/10W 470	1	
R3903	ERJ3GEYJ471V	1/10W 470	1	
R3904	ERJ3GEYJ103V	1/10W 10K	1	
R3905	ERJ3GEYJ473V	1/10W 47K	1	
R3906	ERJ3GEY0R00V	1/10W 0	1	
R3907	ERJ3GEYJ473V	1/10W 47K	1	
R3908	ERJ3GEY0R00V	1/10W 0	1	
R3909	ERJ3GEYJ471V	1/10W 470	1	
R3910	ERJ3GEYJ103V	1/10W 10K	1	
R3911	ERJ3GEYJ471V	1/10W 470	1	

Ref.No.	Part No.	Part Name & Description	Pcs	Remarks
R3912	ERJ3GEYJ103V	1/10W 10K	1	
R3913	ERJ3GEYJ102V	1/10W 1K	1	
R3914	ERJ3GEYJ473V	1/10W 47K	1	
R3915	ERJ3GEYJ102V	1/10W 1K	1	
R3916	ERJ3GEYJ473V	1/10W 47K	1	
R3917	ERJ3GEYF750V	1/10W 75	1	
R3918	ERJ3GEYF750V	1/10W 75	1	
R3919	ERJ3GEYF750V	1/10W 75	1	
R3920	ERJ3GEYJ750V	1/10W 75	1	
R3921	ERJ3GEYJ750V	1/10W 75	1	
R3922	ERJ3GEYF750V	1/10W 75	1	
R3923	ERJ3GEYF750V	1/10W 75	1	
R3924	ERJ3GEYF750V	1/10W 75	1	
R3925	ERJ3GEYJ750V	1/10W 75	1	
R3926	ERJ6GEYJ750V	1/8W 75	1	
R3927	ERJ3GEYJ750V	1/10W 75	1	
R3928	ERDS2TJ331T	1/4W 330	1	
R3929	ERJ3GEYJ333V	1/10W 33K	1	
R3930	ERJ3GEYJ123V	1/10W 12K	1	
R3931	ERJ3GEYJ750V	1/10W 75	1	
R4006	ERJ3GEYJ332V	1/10W 3.3K	1	
R4007	ERJ3GEYJ332V	1/10W 3.3K	1	
R4046	ERJ3GEY0R00V	1/10W 0	1	
R4047	ERJ3GEY0R00V	1/10W 0	1	
R4055	ERJ3GEY0R00V	1/10W 0	1	
R4057	ERJ3GEY0R00V	1/10W 0	1	
R4071	ERJ3GEYJ473V	1/10W 47K	1	
R4074	ERJ3GEYJ473V	1/10W 47K	1	
R4076	ERJ3GEYJ821V	1/10W 820	1	
R4077	ERJ3GEYJ821V	1/10W 820	1	
R4080	ERJ3GEYJ821V	1/10W 820	1	
R4081	ERJ3GEYJ821V	1/10W 820	1	
R4090	ERJ3GEYJ121V	1/10W 120	1	
R4093	ERJ3GEYJ121V	1/10W 120	1	
R4901	ERJ3GEYJ470V	1/10W 47	1	
W201	ERJ3GEY0R00V	1/10W 0	1	
W202	ERJ3GEY0R00V	1/10W 0	1	
W203	ERJ3GEY0R00V	1/10W 0	1	
W204	ERJ6GEY0R00V	1/8W 0	1	
W205	ERJ8GEY0R00V	1/4W 0	1	
W206	ERJ3GEY0R00V	1/10W 0	1	
W207	ERJ6GEY0R00V	1/8W 0	1	
W208	ERJ8GEY0R00V	1/4W 0	1	
W209	ERJ8GEY0R00V	1/4W 0	1	
W210	ERJ6GEY0R00V	1/8W 0	1	
W211	ERJ8GEY0R00V	1/4W 0	1	
W212	ERJ8GEY0R00V	1/4W 0	1	
W213	ERJ8GEY0R00V	1/4W 0	1	
W214	ERJ8GEY0R00V	1/4W 0	1	
W215	ERJ3GEY0R00V	1/10W 0	1	
W216	ERJ6GEY0R00V	1/8W 0	1	
W217	ERJ3GEY0R00V	1/10W 0	1	
W218	ERJ8GEY0R00V	1/4W 0	1	
W219	ERJ8GEY0R00V	1/4W 0	1	
W220	ERJ6GEY0R00V	1/8W 0	1	
W221	ERJ8GEY0R00V	1/4W 0	1	
W223	ERJ6GEY0R00V	1/8W 0	1	
W224	ERJ6GEY0R00V	1/8W 0	1	
W225	ERJ3GEY0R00V	1/10W 0	1	
W226	ERJ8GEY0R00V	1/4W 0	1	
W227	ERJ3GEY0R00V	1/10W 0	1	
W228	ERJ8GEY0R00V	1/4W 0	1	
W229	ERJ3GEY0R00V	1/10W 0	1	
W230	ERJ8GEY0R00V	1/4W 0	1	
W231	ERJ8GEY0R00V	1/4W 0	1	
W232	ERJ8GEY0R00V	1/4W 0	1	
W233	ERJ8GEY0R00V	1/4W 0	1	
W234	ERJ8GEY0R00V	1/4W 0	1	
W235	ERJ8GEY0R00V	1/4W 0	1	
W236	ERJ8GEY0R00V	1/4W 0	1	
W237	ERJ8GEY0R00V	1/4W 0	1	
W238	ERJ6GEY0R00V	1/8W 0	1	
W239	ERJ8GEY0R00V	1/4W 0	1	
W240	ERJ8GEY0R00V	1/4W 0	1	
W241	ERJ8GEY0R00V	1/4W 0	1	
W242	ERJ3GEY0R00V	1/10W 0	1	







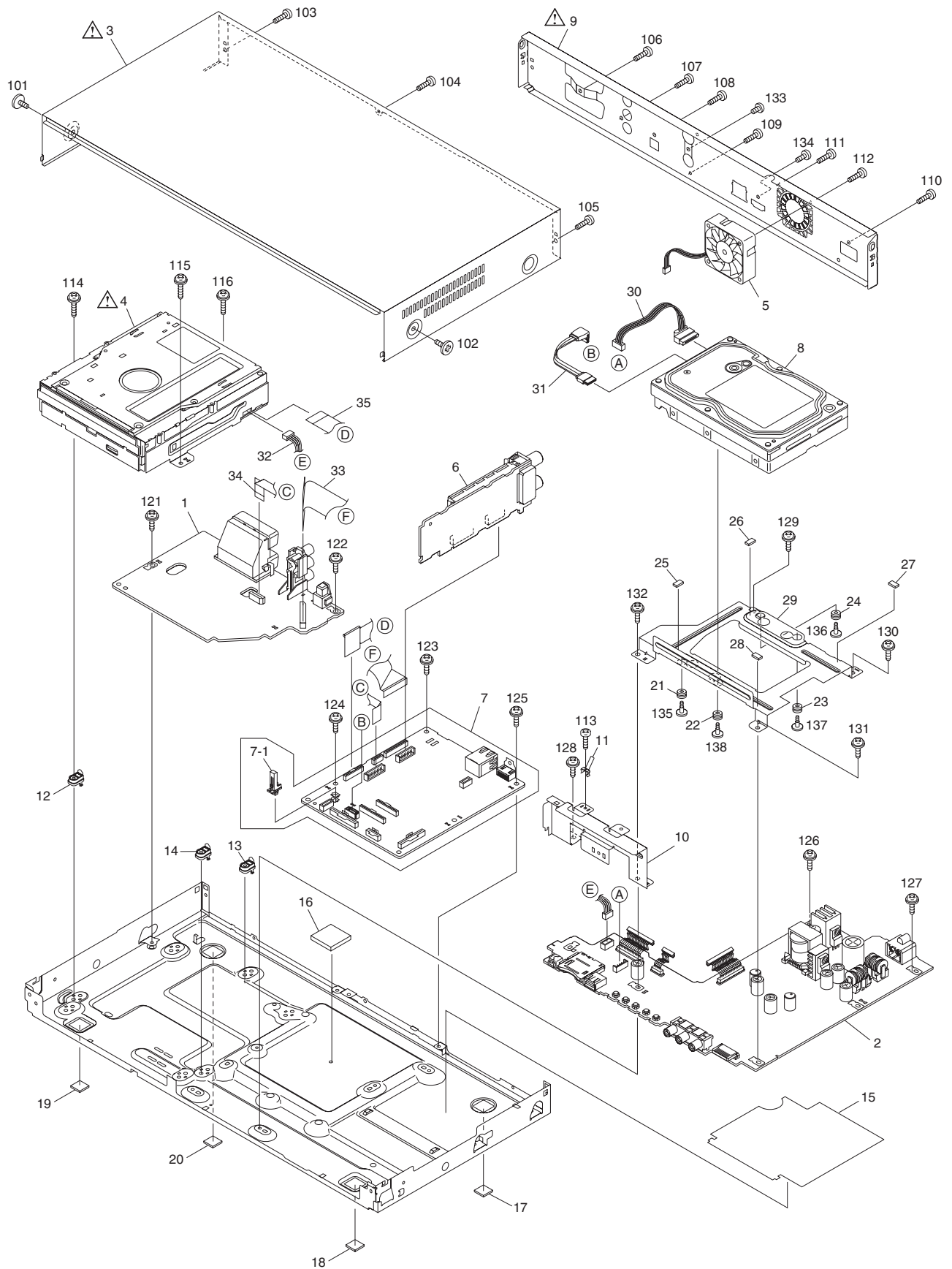




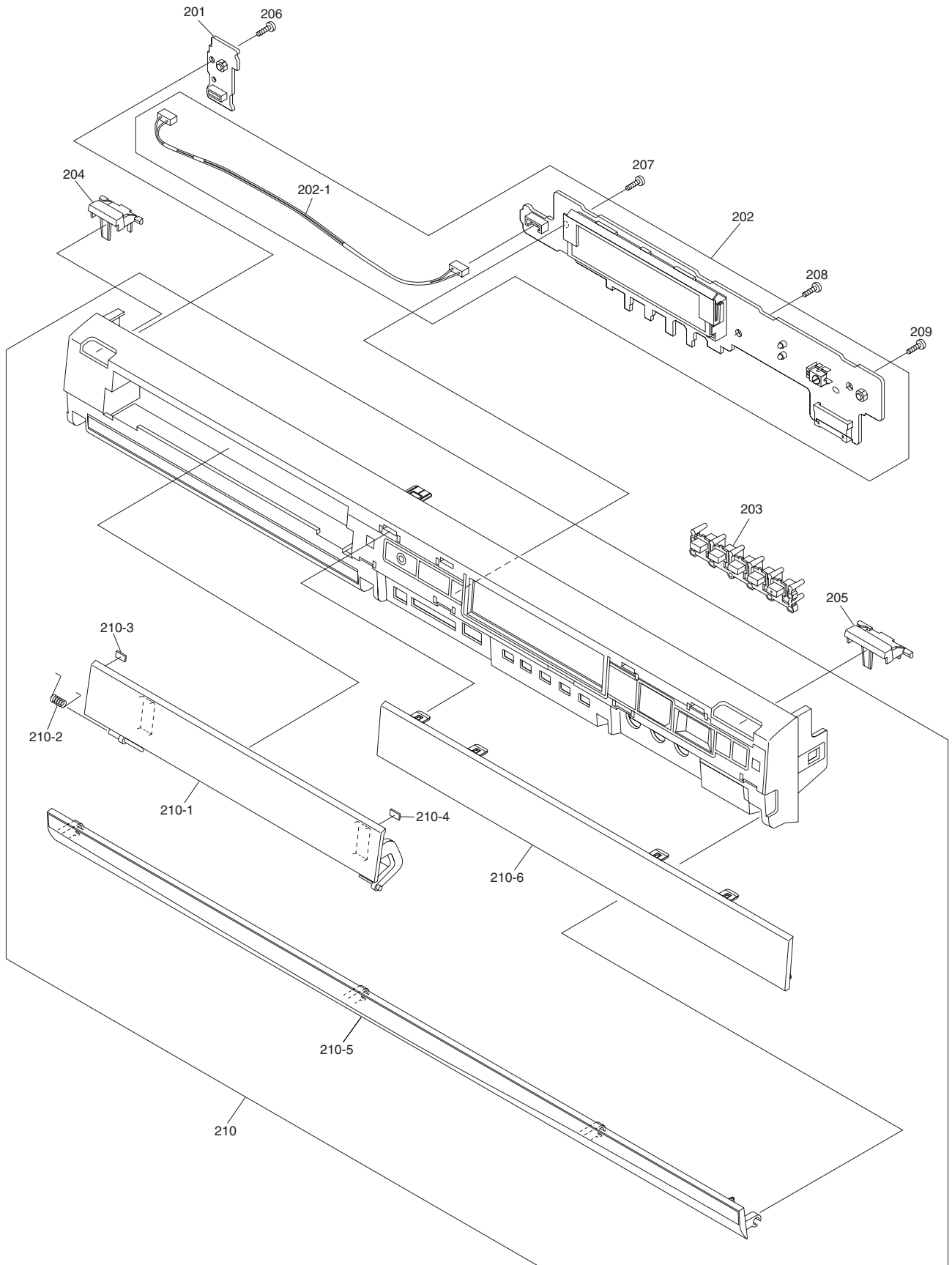


# S8. Exploded View

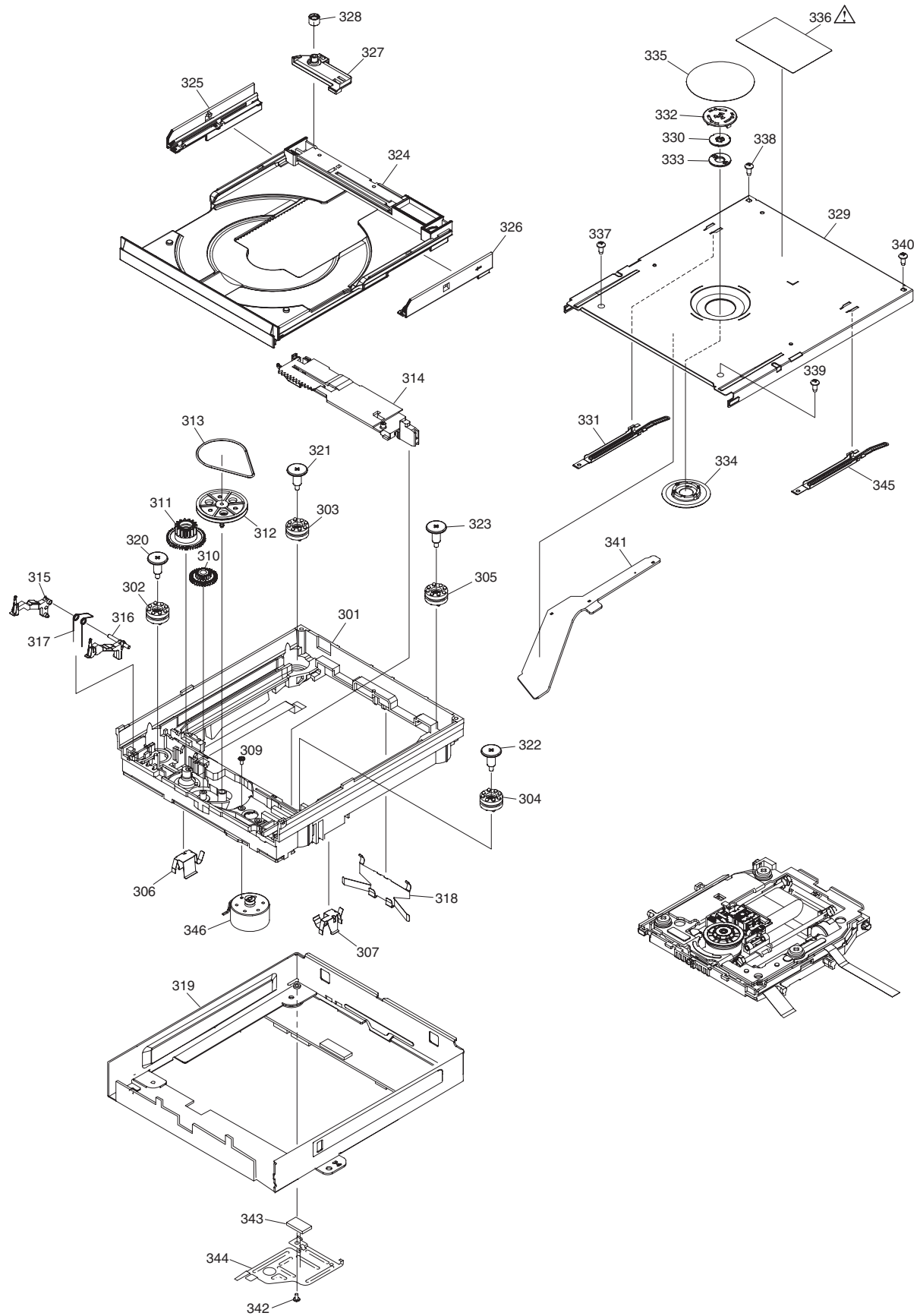
## S8.1. Frame and Casing Section (1)



## S8.2. Frame and Casing Section (2)



### S8.3. Mechanism Section



## S8.4. Packing Parts and Accessories Section

