

14.1.7. Abbreviations

INITIAL/LOGO	ABBREVIATIONS
A	A0~UP ACLK AD0~UP ADATA ALE AMUTE AREQ ARF ASI ASO ASYNC ADDRESS AUDIO CLOCK ADDRESS BUS AUDIO PES PACKET DATA ADDRESS LATCH ENABLE AUDIO MUTE AUDIO PES PACKET REQUEST AUDIO RF SERVO AMP INVERTED INPUT SERVO AMP OUTPUT AUDIO WORD DISTINCTION SYNC
B	BCK BCKIN BDO BLKCK BOTTOM BYP BYTCK BIT CLOCK (PCM) BIT CLOCK INPUT BLACK DROP OUT SUB CODE BLOCK CLOCK CAP. FOR BOTTOM HOLD BYPATH BYTE CLOCK
C	CAV CBDO CD CDSCK CDSRDATA CDRF CDV CHNDATA CKSL CLV COFTR CPA CPCS CPDT CPUADR CPUADT CPUIRQ CPRD CPWR CS CSYNCIN CSYNCOUT CONSTANT ANGULAR VELOCITY CAP. BLACK DROP OUT COMPACT DISC CD SERIAL DATA CLOCK CD SERIAL DATA CD RF (EFM) SIGNAL COMPACT DISC-VIDEO CHANNEL DATA SYSTEM CLOCK SELECT CONSTANT LINEAR VELOCITY CAP. OFF TRACK CPU ADDRESS CPU CHIP SELECT CPU DATA CPU ADDRESS LATCH CPU ADDRESS DATA BUS CPU INTERRUPT REQUEST CPU READ ENABLE CPU WRITE ENABLE CHIP SELECT COMPOSITE SYNC IN COMPOSITE SYNC OUT
D	DACCK DEEMP DEMPPH DIG0~UP DIN DMSRCK DMUTE DO DOUT0~UP DRF DRPOUT DREQ DRESP DSC DSLIF DVD D/A CONVERTER CLOCK DEEMPHASIS BIT ON/OFF DEEMPHASIS SWITCHING FL DIGIT OUTPUT DATA INPUT DM SERIAL DATA READ CLOCK DIGITAL MUTE CONTROL DROP OUT DATA OUTPUT DATA SLICE RF (BIAS) DROP OUT SIGNAL DATA REQUEST DATA RESPONSE DIGITAL SERVO CONTROLLER DATA SLICE LOOP FILTER DIGITAL VIDEO DISC

INITIAL/LOGO	ABBREVIATIONS
E	EC ECR ENCSEL ETMCLK ETSCLK ERROR TORQUE CONTROL ERROR TORQUE CONTROL REFERENCE ENCODER SELECT EXTERNAL M CLOCK (81MHz/40.5MHz) EXTERNAL S CLOCK (54MHz)
F	FBAL FCLK FE FFI FEO FG FSC FSCK FOCUS BALANCE FRAME CLOCK FOCUS ERROR FOCUS ERROR AMP INVERTED INPUT FOCUS ERROR AMP OUTPUT FREQUENCY GENERATOR FREQUENCY SUB CARRIER FS (384 OVER SAMPLING) CLOCK
G	GND COMMON GROUNDING (EARTH)
H	HA0~UP HD0~UP HINT HRXW HOST ADDRESS HOST DATA HOST INTERRUPT HOST READ/WRITE

INITIAL/LOGO	ABBREVIATIONS
I	IECOUT IPFRAG IREF ISEL IEC958 FORMAT DATA OUTPUT INTERPOLATION FLAG I (CURRENT) REFERENCE INTERFACE MODE SELECT
L	LDON LPC LRCK LASER DIODE CONTROL LASER POWER CONTROL L CH/R CH DISTINCTION CLOCK
M	MA0~UP MCK MCKI MCLK MDATA MDQ0~UP MDQM MLD MPEG MEMORY ADDRESS MEMORY CLOCK MEMORY CLOCK INPUT MEMORY SERIAL COMMAND CLOCK MEMORY SERIAL COMMAND DATA MEMORY DATA INPUT/OUTPUT MEMORY DATA I/O MASK MEMORY SERIAL COMMAND LOAD MOVING PICTURE EXPERTS GROUP
O	ODC OFTR OSCI OSCO OSD OPTICAL DISC CONTROLLER OFF TRACKING OSCILLATOR INPUT OSCILLATOR OUTPUT ON SCREEN DISPLAY
P	P1~UP PCD PCK PDVD PEAK PLLCLK PLOCK PWMCTL PWMDA PWMOA, B PORT CD TRACKING PHASE DIFFERENCE PLL CLOCK DVD TRACKING PHASE DIFFERENCE CAP. FOR PEAK HOLD CHANNEL PLL CLOCK PLL LOCK PWM OUTPUT CONTROL PULSE WAVE MOTOR DRIVE A PULSE WAVE MOTOR OUT A, B

INITIAL/LOGO	ABBREVIATIONS
R	RE RFENV RFO RS RSEL RST RSV READ ENABLE RF ENVELOPE RF PHASE DIFFERENCE OUTPUT (CD-ROM) REGISTER SELECT RF POLARITY SELECT RESET RESERVE
S	SBI0, 1 SBO0 SBT0, 1 SCK SCKR SCL SCLK SDA SEG0~UP SELCLK SEN SIN1, 2 SOUT1, 2 SPDI SPDO SPEN SPRCLK SPWCLK SQCK SQCX SRDATA SRMADR SRMDT0~7 SS STAT STCLK STD0~UP STENABLE STSEL STVALID SUBC SBCK SUBQ SYSCLK SERIAL DATA INPUT SERIAL DATA OUTPUT SERIAL CLOCK SERIAL DATA CLOCK AUDIO SERIAL CLOCK RECEIVER SERIAL CLOCK SERIAL CLOCK SERIAL DATA FL SEGMENT OUTPUT SELECT CLOCK SERIAL PORT ENABLE SERIAL DATA IN SERIAL DATA OUT SERIAL PORT DATA INPUT SERIAL PORT DATA OUTPUT SERIAL PORT R/W ENABLE SERIAL PORT READ CLOCK SERIAL PORT WRITE CLOCK SUB CODE Q CLOCK SUB CODE Q DATA READ CLOCK SERIAL DATA SRAM ADDRESS BUS SRAM DATA BUS 0~7 START/STOP STATUS STREAM DATA CLOCK STREAM DATA STREAM DATA INPUT ENABLE STREAM DATA POLARITY SELECT STREAM DATA VALIDITY SUB CODE SERIAL SUB CODE CLOCK SUB CODE Q DATA SYSTEM CLOCK

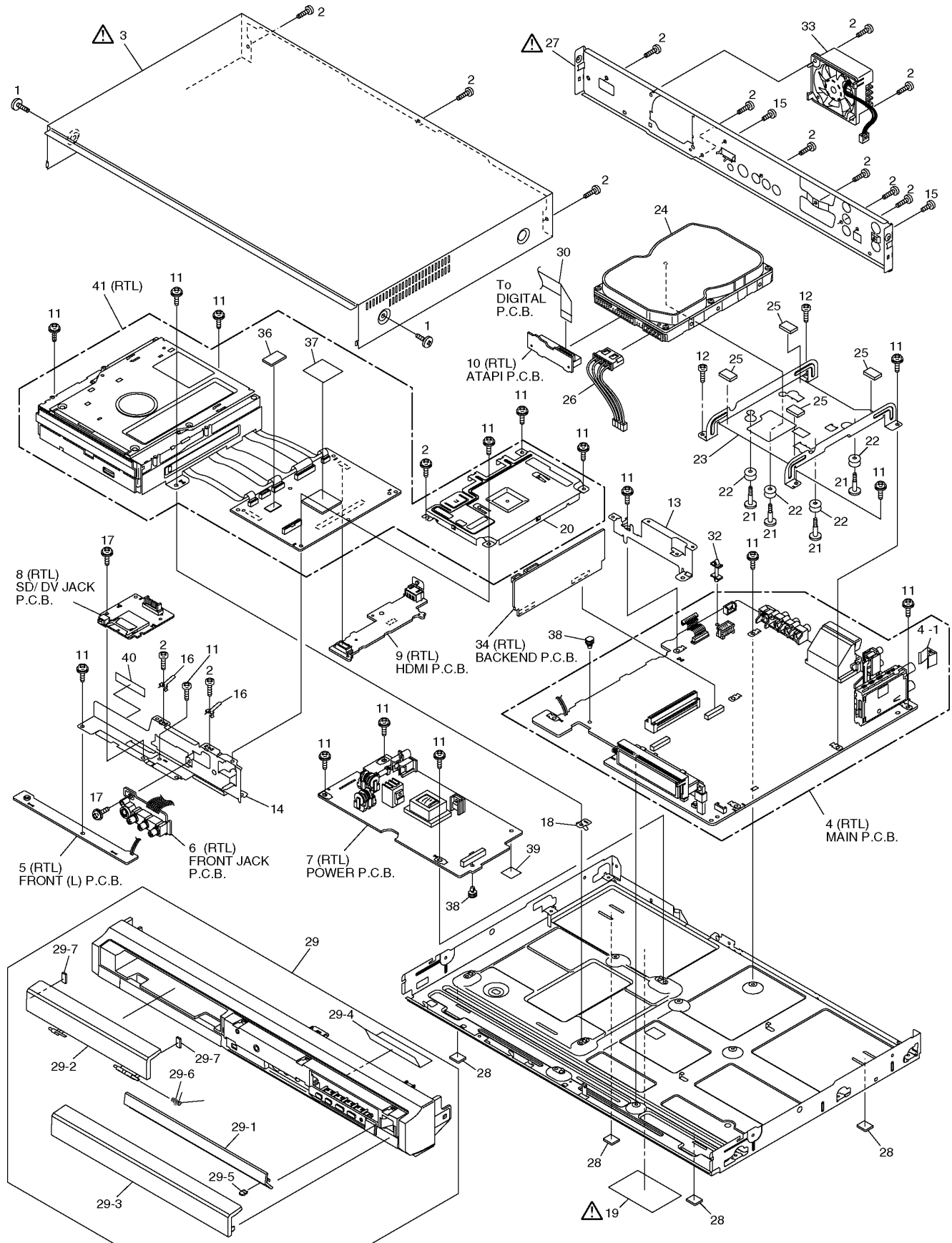
INITIAL/LOGO		ABBREVIATIONS
T	TE	TRACKING ERROR
	TIBAL	BALANCE CONTROL
	TID	BALANCE OUTPUT 1
	TIN	BALANCE INPUT
	TIP	BALANCE INPUT
	TIS	BALANCE OUTPUT 2
	TPSN	OP AMP INPUT
	TPSO	OP AMP OUTPUT
	TPSP	OP AMP INVERTED INPUT
	TRCRS	TRACK CROSS SIGNAL
	TRON	TRACKING ON
	TRSON	TRAVERSE SERVO ON

INITIAL/LOGO		ABBREVIATIONS
V	VBLANK	V BLANKING
	VCC	COLLECTOR POWER SUPPLY VOLTAGE
	VCDCONT	VIDEO CD CONTROL (TRACKING BALANCE)
	VDD	DRAIN POWER SUPPLY VOLTAGE
	VFB	VIDEO FEED BACK
	VREF	VOLTAGE REFERENCE
	VSS	SOURCE POWER SUPPLY VOLTAGE
W	WAIT	BUS CYCLE WAIT
	WDCK	WORD CLOCK
	WEH	WRITE ENABLE HIGH
	WSR	WORD SELECT RECEIVER
X	X	X' TAL
	XALE	X ADDRESS LATCH ENABLE
	XAREQ	X AUDIO DATA REQUEST
	XCDROM	X CD ROM CHIP SELECT
	XCS	X CHIP SELECT
	XCSYNC	X COMPOSITE SYNC
	XDS	X DATA STROBE
	XHSYNCO	X HORIZONTAL SYNC OUTPUT
	XHINT	XH INTERRUPT REQUEST
	XI	X' TAL OSCILLATOR INPUT
	XINT	X INTERRUPT
	XMW	X MEMORY WRITE ENABLE
	XO	X' TAL OSCILLATOR OUTPUT
	XRE	X READ ENABLE
	XSRMCE	X SRAM CHIP ENABLE
	XSRMOE	X SRAM OUTPUT ENABLE
	XSRMWE	X SRAM WRITE ENABLE
	XVCS	X V-DEC CHIP SELECT
	XVDS	X V-DEC CONTROL BUS STROBE
	XVSYNCO	X VERTICAL SYNC OUTPUT

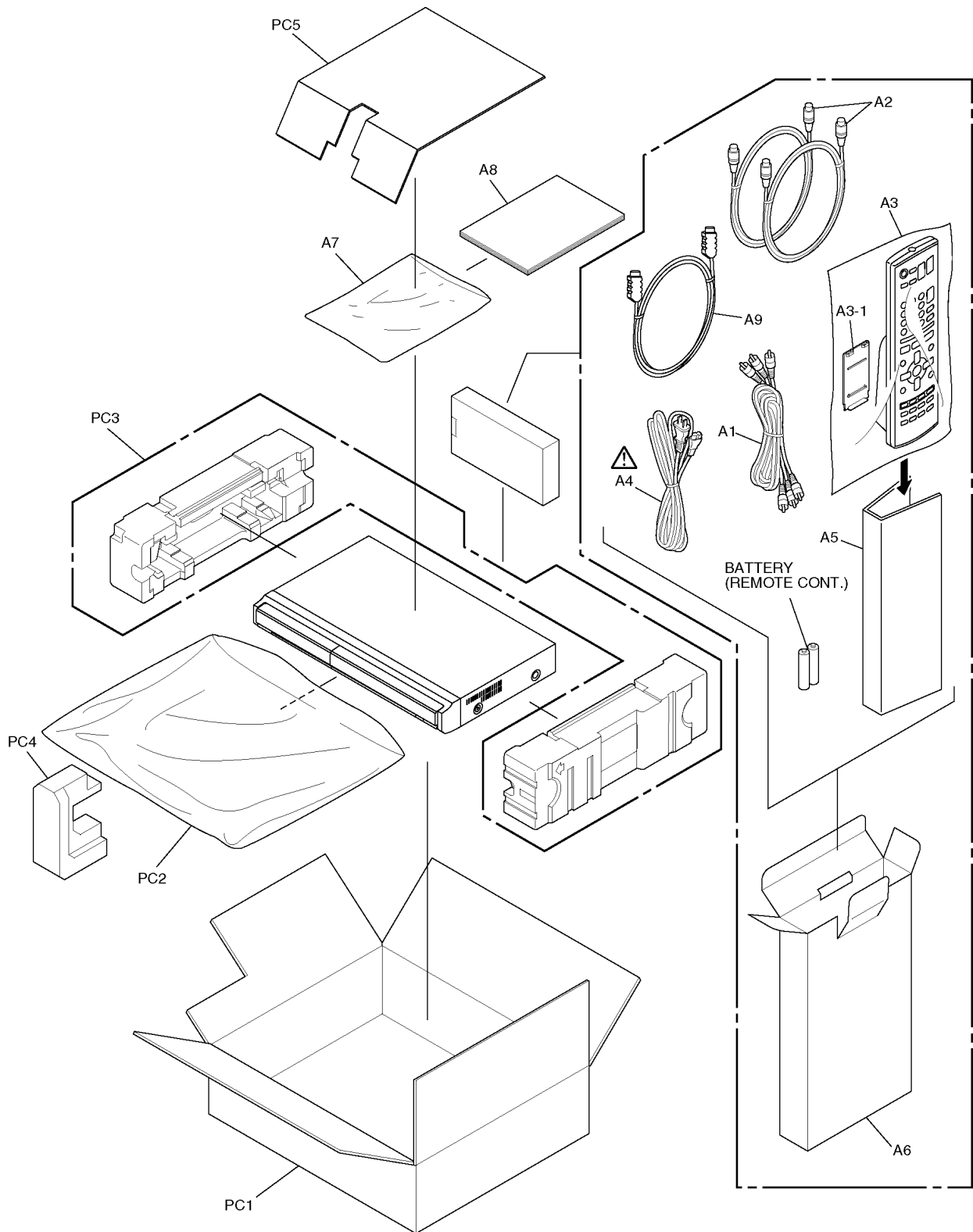
15 Parts and Exploded Views

15.1. Exploded Views

15.1.1. Casing Parts & Mechanism Section



15.1.2. Packing & Accessories Section



15.2. Replacement Parts List

Notes:

*Important safety notice:

Components identified by \triangle mark have special characteristics important for safety.

Furthermore, special parts which have purposes of fire-retardant (resistors), high-quality sound (capacitors), low-noise (resistors), etc. are used.

When replacing any of components, be sure to use only manufactures specified parts shown in the parts list.

*Warning: This product uses a laser diode. Refer to caution statements.

*Capacity values are in microfarads (μ F) unless specified otherwise, P=Pico-farads (pF), F=Farads (F).

*Resistance values are in ohms, unless specified otherwise, 1K=1,000 (OHM), 1M=1,000k (OHM).

*The marking (RTL) indicates the retention time is limited for this item. After the discontinuation of this assembly in production, it will no longer be available.

*“(IA)-(IF)”, marks in Remarks indicate languages of instruction manuals. [(IA): English, (IB): German, (IC): Italian, (ID): French, (IE): Spanish, (IF): English]

*All parts are supplied by PAVCSK.

Ref. No.	Part No.	Part Name & Description	Pcs	Remarks
	RFKB79156HT	MAIN P.C.B.	1	(RTL) EX77EG
	RFKB79156JT	MAIN P.C.B.	1	(RTL) EX77EC, EC1
	RFKB79156K	MAIN P.C.B.	1	(RTL) EX77EB
	RFKB79156TT	MAIN P.C.B.	1	(RTL) EX87EG
	RFKB79156UT	MAIN P.C.B.	1	(RTL) EX87EC, EC1
	RFKB79156X	MAIN P.C.B.	1	(RTL) EX87EB
C1501	ECJ2FB1A225K	10V 2.2U	1	
C1502	F1H1H1030006	50V 0.01U	1	
C1503	F2A1A681A870	10V 680P	1	
C1504	F2A1C101B110	16V 100P	1	
C1505	ECJ1VC1H221J	50V 220P	1	
C1506	ECJ1VB1A105K	10V 1U	1	
C1508	ECJ1VB1A105K	10V 1U	1	
C1509	F1H1H1030006	50V 0.01U	1	
C1510	ECJ1VB1A105K	10V 1U	1	
C1511	ECJ1VB1A105K	10V 1U	1	
C1512	ECJ1VB1A105K	10V 1U	1	
C1516	F2A1H1510006	50V 150P	1	
C1518	F2A0J681A833	6.3V 680P	1	
C1521	F2A1C121A453	16V 120P	1	
C1523	F2A1A470A388	10V 47U	1	
C1524	F2A1A101A389	10V 100U	1	
C1525	F1H1C104A042	16V 0.1U	1	
C1526	ECJ1VB1A105K	10V 1U	1	
C1527	ECJ1VB1A105K	10V 1U	1	
C1528	F1K1C105A026	16V 1U	1	
C1529	F2A1A470A388	10V 47U	1	
C1535	ECJ1VB1A105K	10V 1U	1	
C1536	F1J0J106A014	6.3V 10U	1	
C1541	F2A1E1010067	25V 100U	1	
C1545	F2A1C470B110	16V 47P	1	
C1548	F2A1C121A453	16V 120P	1	
C1549	F2A1C121A453	16V 120P	1	
C1550	F1H1C104A042	16V 0.1U	1	
C1551	F1H1C104A042	16V 0.1U	1	
C1552	F2A1C3310045	16V 330P	1	
C1553	F1H1C104A042	16V 0.1U	1	
C1554	F1H1H2700003	50V 27P	1	
C1555	F1H1H1030006	50V 0.01U	1	

Ref. No.	Part No.	Part Name & Description	Pcs	Remarks
C1557	F2A0J6810007	6.3V 680P	1	
C1558	F2A1A1010072	10V 100U	1	
C1560	F2A0J101A825	6.3V 100U	1	
C3001	F1H1C104A042	16V 0.1U	1	
C3002	F1H1H1030006	50V 0.01U	1	
C3003	F1H1C104A042	16V 0.1U	1	
C3004	F1H1C104A042	16V 0.1U	1	
C3005	F2A0J471A832	6.3V 470P	1	
C3006	F2A0J471A832	6.3V 470P	1	
C3007	F2A1A471A869	10V 470P	1	
C3008	F2A1A101A868	10V 100U	1	
C3009	F2A1A471A869	10V 470P	1	
C3010	F2A1A101A868	10V 100U	1	
C3011	F1H1C104A042	16V 0.1U	1	
C3012	F2A1A471A869	10V 470P	1	
C3013	F2A1A101A868	10V 100U	1	
C3014	F1H1C104A042	16V 0.1U	1	EG, EC, EC1
C3015	F1H1C104A042	16V 0.1U	1	
C3016	F1H1C104A042	16V 0.1U	1	
C3018	F1H1C104A042	16V 0.1U	1	
C3020	F1H1C104A042	16V 0.1U	1	
C3022	F1H1C104A042	16V 0.1U	1	
C3023	F1H1H330A736	50V 33P	1	
C3024	F1H1C104A042	16V 0.1U	1	EB
C3025	F1H1C104A042	16V 0.1U	1	
C3026	F1H0J1050012	6.3V 1U	1	
C3027	F1H1C104A042	16V 0.1U	1	
C3028	F1H0J1050012	6.3V 1U	1	
C3029	F1H1C104A042	16V 0.1U	1	
C3030	F1H0J1050012	6.3V 1U	1	
C3031	F1H1H1030006	50V 0.01U	1	
C3032	F2A0J101A167	6.3V 100P	1	
C3033	F1H1H1030006	50V 0.01U	1	
C3034	F1H1H1030006	50V 0.01U	1	
C3035	F2A0J101A167	6.3V 100P	1	
C3036	F1H1C104A042	16V 0.1U	1	
C3037	F1H1C104A042	16V 0.1U	1	
C3040	F1H1C104A042	16V 0.1U	1	
C3041	F1H1C104A042	16V 0.1U	1	
C3042	F1H1C104A042	16V 0.1U	1	
C3058	ECJ1VC1H471J	50V 470P	1	
C3060	ECJ1VC1H471J	50V 470P	1	
C3064	F1H1C104A042	16V 0.1U	1	
C3065	F1H0J1050012	6.3V 1U	1	
C3910	F2A1V100A534	35V 10U	1	
C3911	F2A1V100A534	35V 10U	1	
C3914	F2A1H100A236	50V 10U	1	
C3915	F2A1H100A236	50V 10U	1	
C3916	F2A1H1R0A236	50V 1U	1	
C3917	F2A1H1R0A236	50V 1U	1	
C3918	F2A1H100A236	50V 10U	1	
C3919	F2A1H100A236	50V 10U	1	
C3928	F2A1V100A534	35V 10U	1	
C3929	F2A1V100A534	35V 10U	1	
C3935	F2A1E2210050	25V 220U	1	
C3951	ECJ1VC1H470J	50V 47P	1	
C3952	ECJ1VC1H470J	50V 47P	1	
C3953	ECJ1VC1H471J	50V 470P	1	
C3954	ECJ1VC1H471J	50V 470P	1	
C3955	F1H1H1010005	50V 100P	1	
C3956	F1H1H1010005	50V 100P	1	
C3957	ECJ1VC1H471J	50V 470P	1	
C3958	ECJ1VC1H471J	50V 470P	1	
C3959	ECJ1VC1H470J	50V 47P	1	
C3960	ECJ1VC1H470J	50V 47P	1	
C3961	F1H1H1010005	50V 100P	1	
C3962	F1H1H1010005	50V 100P	1	
C4008	F2A1E1010067	25V 100U	1	
C4019	F2A1C101A637	16V 100U	1	
C4021	F2A1C101A637	16V 100U	1	
C4023	F2A1H1R0A638	50V 1U	1	EG, EC, EC1
C4024	F2A1E1010067	25V 100U	1	
C4025	F2A1H1R0A638	50V 1U	1	EG, EC, EC1

Ref. No.	Part No.	Part Name & Description	Pcs	Remarks
C4027	F2A1V100A534	35V 10U	1	
C4028	F2A1V100A534	35V 10U	1	
C4033	F2A1C220B173	16V 22P	1	
C4034	F2A1C220B173	16V 22P	1	
C4053	F2A1V100A534	35V 10U	1	
C4054	F2A1V100A534	35V 10U	1	
C4055	F1H1C104A008	16V 0.1U	1	
C4056	F2A1C471A628	16V 470U	1	
C4057	ECJ2VC1H330J	50V 33P	1	
C4059	ECQV1H104JL3	50V 0.1U	1	
C4060	ECJ2VC1H330J	50V 33P	1	
C4061	F1H1C104A008	16V 0.1U	1	
C4062	F2A1A471A550	10V 470U	1	
C4063	F2A1C220B173	16V 22P	1	
C4064	F2A1C220B173	16V 22P	1	
C4065	F1H1C104A008	16V 0.1U	1	
C4067	F2A1E2210050	25V 220U	1	
C4070	F2A1A471A550	10V 470U	1	
C4072	F2A1C221A637	16V 220U	1	
C4082	F1J1H102A666	50V 100P	1	
C4083	F1J1H102A666	50V 100P	1	
C4092	F2A1C471A637	16V 470P	1	
C4902	F1H1C104A008	16V 0.1U	1	
C4903	F2A0J470A599	6.3V 47U	1	
C4904	F1H1C104A042	16V 0.1U	1	
C7301	F1H1C104A042	16V 0.1U	1	EC, EC1
C7301	F1H1H1030006	50V 0.01U	1	EG
C7302	F1J1H102A666	50V 100P	1	EC, EC1
C7303	F2A0J101A825	6.3V 100U	1	EG, EC, EC1
C7304	F1H1C104A042	16V 0.1U	1	EG
C7305	F2A0J101A825	6.3V 100U	1	EC, EC1
C7307	ECJ1VC1H100D	50V 10P	1	EC, EC1
C7308	ECJ1VC1H100D	50V 10P	1	EC, EC1
C7309	ECJ1VB1H152K	50V 1500P	1	EG
C7309	F1H1H1010005	50V 100P	1	EC, EC1
C7310	ECJ1VB1H152K	50V 1500P	1	EG
C7310	F1H1H1010005	50V 100P	1	EC, EC1
C7311	F1H1H1020005	50V 0.001U	1	EC, EC1
C7314	F1H1H330A736	50V 33P	1	EC, EC1
C7315	ECJ1VB1A474K	10V 0.47U	1	EG
C7316	F1H1H472A219	50V 4.7U	1	EG
C7317	F2A0J470A245	6.3V 47U	1	EG, EC, EC1
C7319	F1H1C104A042	16V 0.1U	1	EC, EC1
C7324	F1H1C104A042	16V 0.1U	1	EC, EC1
C7324	F1H1H1030006	50V 0.01U	1	EG
C7325	F1H1H1030006	50V 0.01U	1	EG
C7326	ECJ1VB1A474K	10V 0.47U	1	EG
C7327	ECJ1VB1H123K	50V 0.012U	1	EG
C7328	ECJ1VC1H681J	50V 680P	1	EG
C7330	D0GB822JA057	1/10W 8.2K	1	EC, EC1
C7330	ECJ1VC1H681J	50V 680P	1	EG
C7331	ECJ1VB1H123K	50V 0.012U	1	EG
C7332	F1H1C104A042	16V 0.1U	1	EC, EC1
C7333	ECJ1VB1A474K	10V 0.47U	1	EG
C7333	F1H1C104A042	16V 0.1U	1	EC, EC1
C7334	F2A1H2R2A234	50V 2.2U	1	EC, EC1
C7335	F1H1C104A042	16V 0.1U	1	EC, EC1
C7335	F1H1H1030006	50V 0.01U	1	EG
C7336	F1H1C104A042	16V 0.1U	1	EG
C7337	ECJ1VB1A474K	10V 0.47U	1	EG
C7338	ECJ1VB1A474K	10V 0.47U	1	EG
C7339	F1H1H9R0A735	50V 9P	1	EG
C7340	F1H1C104A042	16V 0.1U	1	EG
C7401	F2A1C471A628	16V 470U	1	
C7404	ECJ1VB1A105K	10V 1U	1	
C7405	F2A1A2210063	10V 220U	1	
C7406	ECJ1VB1A105K	10V 1U	1	
C7408	F1H1H1020005	50V 0.001U	1	
C7409	F1H1H1020005	50V 0.001U	1	
C7410	F1H1H1020005	50V 0.001U	1	
C7412	ECJ1VB1A105K	10V 1U	1	
C7413	ECJ1VB1A105K	10V 1U	1	
C7415	F1K1C105A026	16V 1U	1	

Ref. No.	Part No.	Part Name & Description	Pcs	Remarks
C7417	F1H1C104A042	16V 0.1U	1	
C7439	F1H1C104A042	16V 0.1U	1	
C7449	F1H1H1020005	50V 0.001U	1	
C7501	F1J0J475A008	6.3V 4.7U	1	
C7502	F1H1H1010005	50V 100P	1	
C7503	F1J0J475A008	6.3V 4.7U	1	
C7504	F1H1C104A042	16V 0.1U	1	
C7506	ECJ1VC1H221J	50V 220P	1	
C7507	F1H1C104A042	16V 0.1U	1	
C7508	ECJ1VC1H221J	50V 220P	1	
C7509	F1H1H104A748	50V 0.1U	1	
C7510	F1H1C104A042	16V 0.1U	1	
C7511	F1H1C104A042	16V 0.1U	1	
C7512	F1H1C104A042	16V 0.1U	1	
C7514	F1H1H1030006	50V 0.01U	1	
C7516	ECJ1VC1H180J	50V 18P	1	
C7517	ECJ1VC1H180J	50V 18P	1	
C7518	ECJ1VC1H220J	50V 22P	1	
C7519	ECJ1VC1H180J	50V 18P	1	
C7520	F1H1C104A042	16V 0.1U	1	
C7521	F2A0J470A824	6.3V 47P	1	
C7522	F1H1H1010005	50V 100P	1	
C7523	ECJ1VB1A105K	10V 1U	1	
C7524	F1H1C104A042	16V 0.1U	1	
C7528	F1H0J1050012	6.3V 1U	1	
C7531	ECJ1VC1H100D	50V 10P	1	
C7532	ECJ1VC1H100D	50V 10P	1	
C7533	ECJ1VC1H100D	50V 10P	1	
C7534	F1H1H1030006	50V 0.01U	1	
C7535	ECJ1VC1H100D	50V 10P	1	
C7541	ECJ1VC1H470J	50V 47P	1	
C7542	F1H1C104A042	16V 0.1U	1	
C7543	ECJ1VC1H470J	50V 47P	1	
C7544	F1H1C104A042	16V 0.1U	1	
C7546	F1H0J1050012	6.3V 1U	1	
C7554	F1H1H1030006	50V 0.01U	1	
C7556	F1H1H1020005	50V 0.001U	1	
C7557	F1H1H1020005	50V 0.001U	1	
C7558	F1H1H1020005	50V 0.001U	1	
C7565	F2A1C2210095	16V 220P	1	
C7569	ECQB1H392KF3	50V 3900P	1	
C7570	F2A1V560A387	35V 56U	1	
C7571	F2A1H100A454	50V 10U	1	
C7572	F2A1C121A453	16V 120P	1	
C7573	F2A1H100B034	50V 10U	1	
C7578	F2A0J470A824	6.3V 47P	1	
C7584	F4D55473A013	5.5V 0.047U	1	
C7585	F2A1A101A864	10V 100U	1	
C7587	F1H0J1050012	6.3V 1U	1	
C7592	F2A0J470A824	6.3V 47P	1	
C7801	F2A0J470A824	6.3V 47P	1	
C7802	F1H1H1030006	50V 0.01U	1	
C7803	F2A1H1R0B032	50V 1U	1	
C7804	F1H1H1030006	50V 0.01U	1	
C7806	F2A1C100A234	16V 10P	1	EC, EC1
C7809	F2A0J470A824	6.3V 47P	1	
C7810	F1H1H1030006	50V 0.01U	1	EG, EC, EC1
C7811	F2A0J470A824	6.3V 47P	1	
C7812	F1H1H1030006	50V 0.01U	1	
C7813	F1H1H222A219	50V 2200P	1	EG, EC, EC1
C7814	ECJ1VC1H390J	50V 39P	1	EB
C7815	ECJ1VC1H390J	50V 39P	1	EB
C7815	ECJ1VC1H680J	50V 68P	1	EG, EC, EC1
C7816	F1H1C104A042	16V 0.1U	1	
C7817	F1H1C104A042	16V 0.1U	1	EG
C7819	F2A0J470A824	6.3V 47P	1	EG
C7820	F1H1H222A219	50V 2200P	1	
C7821	F1H1H2710007	50V 270P	1	
C7822	ECJ2VC1H681J	50V 680P	1	EC, EC1
C7823	ECJ1VC1H220J	50V 22P	1	
C7824	ECJ2VC1H220J	50V 22P	1	
C7826	F1H1H222A219	50V 2200P	1	
C7827	ECJ1VC1H221J	50V 220P	1	

Ref. No.	Part No.	Part Name & Description	Pcs	Remarks
C7828	ECJ1VC1H680J	50V 68P	1	EC, EC1
C7829	ECJ1VC1H680J	50V 68P	1	EC, EC1
C7830	ECJ1VC1H680J	50V 68P	1	EG, EC, EC1
D1502	MAZ40390HF	DIODE	1	
D1504	B0JCPD000021	DIODE	1	
D3901	MA2C165001VT	DIODE	1	
D4005	MA3Z142D0LG	DIODE	1	
D4006	MA3Z142D0LG	DIODE	1	
D7501	B0BA03600021	DIODE	1	
D7502	B0JAMG000031	DIODE	1	
D7504	MAZ4220NLF	DIODE	1	
D7505	B0AADM000003	DIODE	1	
D7506	B0AADM000003	DIODE	1	
D7507	B0JAMD000026	DIODE	1	
D7508	MAZ4180NHF	DIODE	1	
D7509	MA2C723001VT	DIODE	1	
D7510	MA2C165001VT	DIODE	1	
D7511	B0ACCK000005	DIODE	1	
D7801	B0BA03000015	DIODE	1	
D7802	MA2C72300F	DIODE	1	EG
D7803	MAZ4051NMF	DIODE	1	EG
DP7501	A2BB00000163	FL DISPLAY	1	
IC1501	C0EBE0000550	IC	1	
IC1506	C0DAEYH00002	IC	1	
IC1508	C0DBAYY00219	IC	1	
IC1510	C0DBEHE00005	IC	1	
IC1520	C0CBCDC00052	IC	1	
IC1521	C0CBCBD00048	IC	1	
IC3001	C1AB00002379	IC	1	
IC4001	C0DBAHD00013	IC	1	
IC4009	C0ABBB000216	IC	1	
IC4012	C0ABBB000230	IC	1	
IC4901	B3ZAZ0000017	IC	1	
IC7301	C0ZBZ0001081	IC	1	EG
IC7301	C1AB00002225	IC	1	EC, EC1
IC7302	C0EBH0000454	IC	1	EC, EC1
IC7401	C0CBCYG00004	IC	1	
IC7402	C0CBCDC00052	IC	1	
IC7403	C0CBCDC00052	IC	1	
IC7404	RFKFM6016KT	IC	1	EXCEPT EB
IC7404	RFKFM6016K	IC	1	EB
IC7501	C2CBJG000738	IC	1	
IC7503	C5HBZHC00001	IC	1	
IC7504	C0HBB0000057	IC	1	
IC7801	C0DBGYY00033	IC	1	EG
IP1501	ERBSE3R00U	IC PROTECTOR	1	△
IP7501	K5H751Z00003	IC PROTECTOR	1	△
IP7502	K5H751Z00003	IC PROTECTOR	1	△
IR7501	B3RAD0000137	REMOTE SENSOR	1	
JK3001	K2HE109B0001	JACK, AV OUT	1	
JK3901	K1FB242B0007	JACK, AV2	1	
JK3903	K2HA304B0007	JACK, COMPONENT VIDEO OUT	1	
K3004	DOYBR0000020	1/10W 0	1	
K3005	DOYBR0000020	1/10W 0	1	
K3006	DOYBR0000020	1/10W 0	1	
K3007	DOYBR0000020	1/10W 0	1	
K4001	DOYBR0000020	1/10W 0	1	
K4002	DOYBR0000020	1/10W 0	1	
K7303	DOYBR0000020	1/10W 0	1	EC, EC1
K7306	DOYBR0000020	1/10W 0	1	EG
K7308	DOYBR0000020	1/10W 0	1	EG
K7503	DOYBR0000020	1/10W 0	1	
K7506	DOYBR0000020	1/10W 0	1	
K7509	DOYBR0000020	1/10W 0	1	
K7513	DOYBR0000020	1/10W 0	1	

Ref. No.	Part No.	Part Name & Description	Pcs	Remarks
K7516	DOYBR0000020	1/10W 0	1	
K7517	DOYBR0000020	1/10W 0	1	
K7802	DOYBR0000020	1/10W 0	1	
K7804	FLH1H330A736	50V 33P	1	
K7806	DOYBR0000020	1/10W 0	1	
K7807	DOYBR0000020	1/10W 0	1	
K7808	DOYBR0000020	1/10W 0	1	
K7809	DOYBR0000020	1/10W 0	1	EG
L1501	G0A100HA0023	COIL 10UH	1	
L1502	G0A150ZA0041	COIL 15UH	1	
L1504	G0A220GA0026	COIL 22UH	1	
L1505	G0A100HA0023	COIL 10UH	1	
L4901	G0C220JA0019	COIL 22UH	1	
L7303	G0C1R0JA0019	COIL 1UH	1	EC, EC1
L7304	G0C3R9JA0019	COIL 3.9UH	1	EC, EC1
L7304	G0C470JA0019	COIL 47UH	1	EG
L7501	G0C390JA0055	COIL 39UH	1	
L7502	G0C220JA0019	COIL 22UH	1	
L7801	G0C100JA0019	COIL 10UH	1	EG
L7802	G1CR56JA0020	COIL	1	
L7803	G1CR56JA0020	COIL	1	
LB1501	DOYBR0000020	1/10W 0	1	
LB1502	J0JKB0000003	COIL	1	
LB1503	J0JKB0000003	COIL	1	
LB1504	J0JKB0000003	COIL	1	
LB1505	DOYBR0000020	1/10W 0	1	
LB1506	J0JKB0000003	COIL	1	
LB1507	J0JHC0000032	COIL	1	
LB1508	J0JHC0000048	FILTER	1	
LB1510	J0JKB0000003	COIL	1	
LB3001	J0JGC0000020	COIL	1	
LB3002	J0JGC0000020	COIL	1	
LB3003	J0JGC0000020	COIL	1	
LB3006	J0JBC0000011	COIL	1	
LB3008	J0JBC0000011	COIL	1	
LB3907	J0JBC0000011	COIL	1	
LB3908	J0JBC0000011	COIL	1	
LB3911	J0JGC0000020	COIL	1	
LB3912	J0JBC0000011	COIL	1	
LB3913	J0JBC0000011	COIL	1	
LB7301	J0JCC0000124	COIL	1	EC, EC1
LB7302	J0JCC0000124	COIL	1	EC, EC1
LB7303	J0JCC0000080	COIL	1	EC, EC1
LB7304	J0JHC0000032	COIL	1	EG, EC, EC1
LB7305	J0JCC0000080	COIL	1	EC, EC1
LB7402	J0JKB0000012	COIL	1	
LB7403	J0JHC0000032	COIL	1	
LB7404	J0JKB0000012	COIL	1	
LB7405	J0JKB0000012	COIL	1	
LB7406	J0JDC0000092	COIL	1	
LB7407	J0JKB0000003	COIL	1	
LB7408	J0JGC0000020	COIL	1	
LB7409	J0JKB0000003	COIL	1	
LB7410	J0JGC0000020	COIL	1	
LB7411	J0JCC0000164	COIL	1	
LB7412	J0JCC0000164	COIL	1	
LB7413	J0JCC0000164	COIL	1	
LB7414	J0JCC0000164	COIL	1	
LB7415	J0JCC0000103	COIL	1	
LB7416	J0JCC0000164	COIL	1	
LB7417	J0JCC0000103	COIL	1	
LB7418	J0JCC0000103	COIL	1	
LB7419	J0JCC0000103	COIL	1	
LB7420	J0JCC0000164	COIL	1	
LB7421	J0JCC0000103	COIL	1	
LB7422	J0JKB0000012	COIL	1	
LB7509	J0JCC0000060	COIL	1	
LB7801	J0JHC0000032	COIL	1	
LB7802	J0JHC0000032	COIL	1	
LB7803	J0JHC0000032	COIL	1	
LB7804	J0JCC0000103	COIL	1	EG, EC, EC1

Ref. No.	Part No.	Part Name & Description	Pcs	Remarks
LB7805	J0JCC0000103	COIL	1	
P1501	K1KA15A00118	CONNECTOR (15P)	1	
P1503	K1KA04AA0180	CONNECTOR (4P)	1	
P7402	K1KA88A00002	CONNECTOR (88P)	1	
P7412	K1KA11AA0031	CONNECTOR (11P)	1	
P7413	K1KA10AA0031	CONNECTOR (10P)	1	
P7501	K1KA10A00258	CONNECTOR (10P)	1	
P7502	K1KA03AA0301	CONNECTOR (3P)	1	
Q1501	B1DHDC000027	TRANSISTOR	1	
Q1502	2SD1819A0L	TRANSISTOR	1	
Q1508	B1DHDD000029	TRANSISTOR	1	
Q1509	B1DHED000008	TRANSISTOR	1	
Q4006	2SD132800L	TRANSISTOR	1	
Q4007	2SD132800L	TRANSISTOR	1	
Q4008	2SD132800L	TRANSISTOR	1	
Q4009	2SD132800L	TRANSISTOR	1	
Q4060	2SD1819A0L	TRANSISTOR	1	
Q7403	2SD1819A0L	TRANSISTOR	1	
Q7501	2SB1218A0L	TRANSISTOR	1	
Q7502	2SD1819A0L	TRANSISTOR	1	
Q7503	2SB1218A0L	TRANSISTOR	1	
Q7504	2SD1819A0L	TRANSISTOR	1	
Q7505	2SD1819A0L	TRANSISTOR	1	
Q7509	2SD0601A0L	TRANSISTOR	1	
Q7510	2SC43910R1VT	TRANSISTOR	1	
Q7511	2SB0709A0L	TRANSISTOR	1	
Q7514	2SD0601A0L	TRANSISTOR	1	
Q7515	2SD1819A0L	TRANSISTOR	1	
Q7516	2SD1819A0L	TRANSISTOR	1	
Q7517	2SD1819A0L	TRANSISTOR	1	
Q7802	2SD1819A0L	TRANSISTOR	1	EG
Q7803	2SD1819A0L	TRANSISTOR	1	EG
QR1501	B1GBCFNN0009	TRANSISTOR	1	
QR1502	B1GBCFNN0009	TRANSISTOR	1	
QR1503	B1GBCFNN0009	TRANSISTOR	1	
QR1504	B1GBCFNN0009	TRANSISTOR	1	
QR4002	B1GDCFJ00008	TRANSISTOR	1	
QR7401	B1GBCFNN0009	TRANSISTOR	1	
QR7402	B1GDCFL0012	TRANSISTOR	1	
QR7503	B1GBCFNN0009	TRANSISTOR	1	
QR7504	B1GBCFNN0009	TRANSISTOR	1	
QR7507	B1GBCFNA0010	TRANSISTOR	1	
QR7508	B1GBCFJN0009	TRANSISTOR	1	
R1502	D0GB103JA057	1/10W 10K	1	
R1503	D0GB331JA057	1/10W 330	1	
R1505	D0GB823JA057	1/10W 82K	1	
R1506	D0GB222JA057	1/10W 2.2K	1	
R1507	D0GB822JA057	1/10W 8.2K	1	
R1509	ERJ3RBD393V	1/16W 39K	1	
R1510	ERJ3RBD113V	1/16W 11K	1	
R1511	ERJ3RBD152V	1/16W 1.5K	1	
R1518	D0GB223JA057	1/10W 22K	1	
R1519	D0GB223JA057	1/10W 22K	1	
R1522	D0GB472JA057	1/10W 4.7K	1	
R1523	D1BDR027A101	0.027U	1	
R1524	ERJ3RBD821V	1/16W 820	1	
R1525	ERJ3RBD103V	1/16W 10K	1	
R1526	ERJ3RBD332V	1/16W 3.3K	1	
R1528	D0GB333JA057	1/10W 33K	1	
R1535	ERJ3RBD103V	1/16W 10K	1	
R1536	ERJ3RBD273V	1/16W 27K	1	
R1537	ERJ3RBD392V	1/16W 3.9K	1	
R3002	D0GB102JA057	1/10W 1K	1	
R3005	D0GB102JA057	1/10W 1K	1	
R3007	D0GB330JA057	1/10W 33	1	
R3037	D0GB104JA057	1/10W 100K	1	
R3055	D0GB750JA057	1/10W 75	1	
R3057	D0GB750JA057	1/10W 75	1	
R3059	D0GB750JA057	1/10W 75	1	

Ref. No.	Part No.	Part Name & Description	Pcs	Remarks
R3901	D1BB75R0A010	2W 75	1	
R3902	D1BB75R0A010	2W 75	1	
R3903	D1BB75R0A010	2W 75	1	
R3905	D0GB153JA057	1/10W 15K	1	
R3906	D0GB223JA057	1/10W 22K	1	
R3912	D0GB103JA057	1/10W 10K	1	
R3913	D0GB103JA057	1/10W 10K	1	
R3914	D0GB471JA057	1/10W 470	1	
R3918	D0GB471JA057	1/10W 470	1	
R3919	D1BB75R0A010	2W 75	1	
R3920	D1BB75R0A010	2W 75	1	
R3921	D1BB75R0A010	2W 75	1	
R3922	D0GB471JA057	1/10W 470	1	
R3923	D0GB471JA057	1/10W 470	1	
R3924	ERDS2TJ471T	1/4W 470	1	
R3925	D1BB75R0A010	2W 75	1	
R3926	D1BB75R0A010	2W 75	1	
R3927	D1BB75R0A010	2W 75	1	
R3928	D0GB750JA057	1/10W 75	1	
R3929	D0GB750JA057	1/10W 75	1	
R3930	D0GB750JA057	1/10W 75	1	
R3932	D0GB750JA057	1/10W 75	1	
R3934	D0GB750JA057	1/10W 75	1	
R3935	D0GB750JA057	1/10W 75	1	
R3975	D0GB101JA057	1/10W 100	1	
R3976	D0GB101JA057	1/10W 100	1	
R3983	D0GB103JA057	1/10W 10K	1	
R3984	D0GB103JA057	1/10W 10K	1	
R3987	D0GB473JA057	1/10W 47K	1	
R3988	D0GB102JA057	1/10W 1K	1	
R3989	D0GB102JA057	1/10W 1K	1	
R3990	D0GB473JA057	1/10W 47K	1	
R3991	D0GB473JA057	1/10W 47K	1	
R3992	D0GB102JA057	1/10W 1K	1	
R3993	D0GB102JA057	1/10W 1K	1	
R3994	D0GB473JA057	1/10W 47K	1	
R4003	D0GB331JA057	1/10W 330	1	
R4005	D0GB331JA057	1/10W 330	1	
R4006	D0GB823JA057	1/10W 82K	1	
R4010	D0GB473JA057	1/10W 47K	1	
R4011	D0GB473JA057	1/10W 47K	1	
R4013	D0GB823JA057	1/10W 82K	1	
R4046	D0HB912ZA002	1/10W 9.1K	1	
R4047	D0HB912ZA002	1/10W 9.1K	1	
R4055	D0HB153ZA002	1/10W 15K	1	
R4057	D0HB153ZA002	1/10W 15K	1	
R4066	D0HB103ZA002	1/10W 10K	1	
R4067	D0HB103ZA002	1/10W 10K	1	
R4071	D0GB473JA057	1/10W 47K	1	
R4074	D0GB473JA057	1/10W 47K	1	
R4076	D0GB821JA057	1/10W 820	1	
R4077	D0GB101JA057	1/10W 100	1	
R4078	D0GB272JA057	1/10W 2.7K	1	
R4079	D0GB272JA057	1/10W 2.7K	1	
R4080	D0GB101JA057	1/10W 100	1	
R4081	D0GB821JA057	1/10W 820	1	
R4088	D0GB272JA057	1/10W 2.7K	1	
R4089	D0GB272JA057	1/10W 2.7K	1	
R4090	D0GB121JA057	1/10W 120	1	
R4093	D0GB121JA057	1/10W 120	1	
R4094	D0GB223JA057	1/10W 22K	1	
R4102	D0GB103JA057	1/10W 10K	1	
R4104	D0GB223JA057	1/10W 22K	1	
R4105	D0GB473JA057	1/10W 47K	1	
R7303	D0GB473JA057	1/10W 47K	1	EC, EC1
R7304	D0GB101JA057	1/10W 100	1	EC, EC1
R7305	ERJ3GEYF101V	1/10W 100	1	EG
R7306	D1BB39010002	2W 390	1	EG
R7307	D0GB472JA057	1/10W 4.7K	1	EG
R7307	D0YBR0000020	1/10W 0	1	EC, EC1
R7308	D0GB752JA057	1/10W 7.5K	1	EG
R7311	ERJ3GEYF221V	1/10W 220	1	EC, EC1
R7312	ERJ3GEYF221V	1/10W 220	1	EC, EC1

Ref. No.	Part No.	Part Name & Description	Pcs	Remarks
R7312	ERJ3GEYF682V	1/10W 6.8K	1	EG
R7313	ERJ3GEYF221V	1/10W 220	1	EC, EC1
R7313	ERJ3GEYF682V	1/10W 6.8K	1	EG
R7318	D1BB33010002	2W 330	1	EG
R7320	D1BB33010002	2W 330	1	EG
R7321	DOGB562JA057	1/10W 5.6K	1	EG
R7322	DOYBR0000020	1/10W 0	1	EC, EC1
R7323	DOGB562JA057	1/10W 5.6K	1	EG
R7324	DOGB221JA057	1/10W 220	1	EG, EC, EC1
R7325	DOGB221JA057	1/10W 220	1	EG, EC, EC1
R7326	DOGB122JA057	1/10W 1.2K	1	EG
R7326	DOYBR0000020	1/10W 0	1	EC, EC1
R7401	DOGB104JA057	1/10W 100K	1	
R7402	DOGB103JA057	1/10W 10K	1	
R7410	DOGB821JA057	1/10W 820	1	
R7411	DOGB472JA057	1/10W 4.7K	1	
R7412	DOGB472JA057	1/10W 4.7K	1	
R7414	DOGB472JA057	1/10W 4.7K	1	
R7444	ERJ3RED300V	1/16W 30	1	
R7445	ERJ3RBD682V	1/16W 6.8K	1	
R7446	ERJ3RBD202V	1/16W 2K	1	
R7501	DOGB102JA057	1/10W 1K	1	
R7502	DOGB392JA057	1/10W 3.9K	1	
R7503	DOGB104JA057	1/10W 100K	1	
R7504	DOGB102JA057	1/10W 1K	1	
R7505	D1BB1502A010	2W 1.5K	1	
R7506	DOGB104JA057	1/10W 100K	1	
R7507	D1BB15010002	2W 150	1	
R7508	ERJ3GEYF562V	1/10W 5.6K	1	
R7509	DOGB331JA057	1/10W 330	1	
R7510	DOGB331JA057	1/10W 330	1	
R7513	DOGB101JA057	1/10W 100	1	
R7514	DOGB101JA057	1/10W 100	1	
R7515	DOGB101JA057	1/10W 100	1	
R7516	DOGB220JA057	1/10W 22	1	
R7517	DOGB101JA057	1/10W 100	1	
R7519	DOGB472JA057	1/10W 4.7K	1	
R7520	DOGB103JA057	1/10W 10K	1	
R7522	DOGB101JA057	1/10W 100	1	
R7524	DOGB101JA057	1/10W 100	1	
R7525	DOGB474JA057	1/10W 470K	1	
R7526	DOGB101JA057	1/10W 100	1	
R7527	DOGB101JA057	1/10W 100	1	
R7528	DOGB101JA057	1/10W 100	1	
R7529	DOGB101JA057	1/10W 100	1	
R7530	ERJ3RBD104V	1/16W 100K	1	
R7531	DOGB104JA057	1/10W 100K	1	
R7532	DOGB563JA057	1/10W 56K	1	
R7533	DOYBR0000020	1/10W 0	1	
R7534	DOGB103JA057	1/10W 10K	1	
R7535	DOGB101JA057	1/10W 100	1	
R7536	DOGB101JA057	1/10W 100	1	
R7537	DOGB101JA057	1/10W 100	1	
R7538	DOGB102JA057	1/10W 1K	1	
R7539	DOGB472JA057	1/10W 4.7K	1	
R7540	DOGB101JA057	1/10W 100	1	
R7542	DOGB101JA057	1/10W 100	1	
R7543	DOGB103JA057	1/10W 10K	1	
R7544	DOGB473JA057	1/10W 47K	1	
R7548	DOGB472JA057	1/10W 4.7K	1	
R7549	DOGB472JA057	1/10W 4.7K	1	
R7550	DOGB223JA057	1/10W 22K	1	
R7552	DOGB104JA057	1/10W 100K	1	
R7553	DOYBR0000020	1/10W 0	1	
R7557	DOGB101JA057	1/10W 100	1	
R7558	DOGB202JA057	1/10W 2K	1	
R7559	DOGB202JA057	1/10W 2K	1	
R7560	DOGB101JA057	1/10W 100	1	
R7561	DOGB473JA057	1/10W 47K	1	
R7562	DOGB101JA057	1/10W 100	1	
R7563	DOGB472JA057	1/10W 4.7K	1	
R7565	DOGB101JA057	1/10W 100	1	
R7567	DOGB101JA057	1/10W 100	1	

Ref. No.	Part No.	Part Name & Description	Pcs	Remarks
R7568	DOGB473JA057	1/10W 47K	1	
R7570	DOGB103JA057	1/10W 10K	1	
R7571	DOGB153JA057	1/10W 15K	1	
R7572	DOGB101JA057	1/10W 100	1	
R7573	DOGB273JA057	1/10W 27K	1	
R7574	DOGB223JA057	1/10W 22K	1	
R7575	DOGB101JA057	1/10W 100	1	
R7576	DOGB102JA057	1/10W 1K	1	
R7577	DOGB103JA057	1/10W 10K	1	
R7578	DOGB224JA057	1/10W 220K	1	
R7580	DOGB225JA057	1/10W 2200K	1	
R7581	DOGB472JA057	1/10W 4.7K	1	
R7582	DOGB104JA057	1/10W 100K	1	
R7583	DOGB101JA057	1/10W 100	1	
R7587	DOGB103JA057	1/10W 10K	1	
R7588	DOGB104JA057	1/10W 100K	1	
R7589	DOGB221JA057	1/10W 220	1	
R7597	DOGB822JA057	1/10W 8.2K	1	
R7598	DOGB822JA057	1/10W 8.2K	1	
R7599	DOGB822JA057	1/10W 8.2K	1	
R7600	DOGB103JA057	1/10W 10K	1	
R7601	DOGB102JA057	1/10W 1K	1	
R7606	ERJ3GEYF393V	1/10W 39K	1	
R7607	DOGB331JA057	1/10W 330	1	
R7608	ERJ3GEYF433V	1/10W 43K	1	
R7612	DOGB562JA057	1/10W 5.6K	1	
R7614	DOGB470JA057	1/10W 47	1	
R7615	DOGB473JA057	1/10W 47K	1	
R7617	ERDS2TJ271T	1/4W 270	1	
R7621	DOGB104JA057	1/10W 100K	1	
R7623	DOGB181JA057	1/10W 180	1	
R7639	DOGB272JA057	1/10W 2.7K	1	
R7640	DOGB272JA057	1/10W 2.7K	1	
R7642	DOGB562JA057	1/10W 5.6K	1	
R7644	DOGB562JA057	1/10W 5.6K	1	
R7648	ERDS2TJ470T	1/4W 47	1	
R7660	DOGB103JA057	1/10W 10K	1	
R7668	DOGB101JA057	1/10W 100	1	
R7669	DOGB472JA057	1/10W 4.7K	1	
R7801	DOGB562JA057	1/10W 5.6K	1	EC, EC1
R7802	ERDS2TJ102T	1/4W 1K	1	
R7804	DOGB471JA057	1/10W 470	1	
R7805	DOGB471JA057	1/10W 470	1	
R7811	DOGB472JA057	1/10W 4.7K	1	
R7812	ERJ3GEYJ155V	1/10W 30	1	EG
R7813	DOGB473JA057	1/10W 47K	1	EG
R7814	DOGB473JA057	1/10W 47K	1	EG
R7815	DOGB334JA057	1/10W 330K	1	EG
R7816	DOGB563JA057	1/10W 56K	1	EG
S7501	EVQ11A04M	SWITCH,	1	
S7503	EVQ11A04M	SWITCH,	1	
S7504	EVQ11A04M	SWITCH,	1	
S7506	EVQ11A04M	SWITCH,	1	
S7507	EVQ11A04M	SWITCH,	1	
S7508	EVQ11A04M	SWITCH,	1	
T7501	G4D1A0000117	TRANSFORMER	1	
TU7801	ENGF7703KF	TV TUNER	1	EB
TU7801	ENGF7704KF	TV TUNER	1	EG
TU7801	ENGF7705KF	TUNER	1	EC, EC1
W501	DOYBR0000020	1/10W 0	1	
W701	DOYBR0000020	1/10W 0	1	
W702	DOYBR0000020	1/10W 0	1	
W703	DOYBR0000020	1/10W 0	1	
W704	DOYBR0000020	1/10W 0	1	
W705	DOYBR0000020	1/10W 0	1	
W707	DOYBR0000020	1/10W 0	1	
W708	DOYBR0000020	1/10W 0	1	
W709	DOYBR0000020	1/10W 0	1	
W710	DOYBR0000020	1/10W 0	1	

Ref. No.	Part No.	Part Name & Description	Pcs	Remarks
W711	D0YBR0000020	1/10W 0	1	
W712	D0YBR0000020	1/10W 0	1	
W713	D0YBR0000020	1/10W 0	1	
W714	D0YBR0000020	1/10W 0	1	
W715	D0YBR0000020	1/10W 0	1	
W716	D0YBR0000020	1/10W 0	1	
W717	D0YBR0000020	1/10W 0	1	
W718	D0YBR0000020	1/10W 0	1	
W719	D0YBR0000020	1/10W 0	1	
W720	D0YBR0000020	1/10W 0	1	
W721	D0YBR0000020	1/10W 0	1	
W722	D0YBR0000020	1/10W 0	1	
W723	D0YBR0000020	1/10W 0	1	
W724	D0YBR0000020	1/10W 0	1	
W725	D0YBR0000020	1/10W 0	1	
W726	ERJ6GEY0R00Z	1/8W 0	1	
W730	ERJ6GEY0R00Z	1/8W 0	1	
W731	ERJ6GEY0R00Z	1/8W 0	1	
W734	ERJ6GEY0R00Z	1/8W 0	1	
W735	D0YBR0000020	1/10W 0	1	
W736	ERJ6GEY0R00Z	1/8W 0	1	
W737	ERJ6GEY0R00Z	1/8W 0	1	
W738	ERJ6GEY0R00Z	1/8W 0	1	
W739	ERJ6GEY0R00Z	1/8W 0	1	
W741	ERJ6GEY0R00Z	1/8W 0	1	
W742	ERJ6GEY0R00Z	1/8W 0	1	
W743	ERJ6GEY0R00Z	1/8W 0	1	
W744	D0YBR0000020	1/10W 0	1	
W745	ERJ6GEY0R00Z	1/8W 0	1	
W746	D0YBR0000020	1/10W 0	1	
W747	D0YBR0000020	1/10W 0	1	
W748	ERJ6GEY0R00Z	1/8W 0	1	
W749	ERJ6GEY0R00Z	1/8W 0	1	
X7501	H0D100500018	CRYSTAL OSCILLATOR	1	
X7502	H0A327200108	CRYSTAL OSCILLATOR	1	
ZB7501	RMN0872	FL HOLDER (A)	1	
ZB7502	RMN0873A	FL HOLDER B	1	
ZJ7401	K9ZZ00001279	EARTH PLATE	1	
ZJ7402	K9ZZ00001279	EARTH PLATE	1	
ZJ7403	K9ZZ00001279	EARTH PLATE	1	
ZJ7404	K9ZZ00001279	EARTH PLATE	1	
ZJ7405	K9ZZ00001279	EARTH PLATE	1	
ZJ7423	K9ZZ00001279	EARTH PLATE	1	
ZJ7501	K9ZZ00001279	EARTH PLATE	1	
■	VEP70187A	FRONT (L) P.C.B.	1	(RTL)
S7002	EVQ11A04M	SWITCH,	1	
■	VEP73146A	FRONT JACK P.C.B.	1	(RTL)
C3801	F1H1H1020005	50V 0.001U	1	
C3803	F1H1H1020005	50V 0.001U	1	
C3804	F1H1C104A042	16V 0.1U	1	
FC7001	REZD0019	WIRE	1	
JK3801	K2HA307A0009	JACK	1	
JK3802	K1CB104A0017	JACK	1	
JW3801	VWJ08H6074VV	FLAT CABLE (8P)	1	
LB3801	J0JBC0000011	COIL	1	
LB3802	J0JBC0000011	COIL	1	
LB3803	D0YBR0000020	1/10W 0	1	
LB3804	D0YBR0000020	1/10W 0	1	
LB3805	D0YBR0000020	1/10W 0	1	
R3801	D0GB750JA057	1/10W 75	1	
R3802	D0GB750JA057	1/10W 75	1	

Ref. No.	Part No.	Part Name & Description	Pcs	Remarks
R3803	D0GB750JA057	1/10W 75	1	
R3804	D0GB102JA057	1/10W 1K	1	
X7301	H0D245500016	CRYSTAL OSCILLATOR	1	EC, EC1
X7301	H0H400400006	CRYSTAL OSCILLATOR	1	EG
ZJ3801	K9ZZ00001279	EARTH PLATE	1	
ZJ3802	RMC0723	EARTH PLATE	1	
■	VEP71118A	POWER P.C.B.	1	(RTL)
C1120	ECQU2A683MLC	100V 0.068U	1	△
C1121	ECQU2A223MLC	100V 0.022U	1	△
C1122	ECKWNA102MEV	250V 1000P	1	△
C1123	ECKWNA102MEV	250V 1000P	1	△
C1125	ECKWNA102MEV	250V 1000P	1	△
C1143	F2B2W4700003	450V 47U	1	
C1150	F2A1V6800002	35V 68P	1	
C1151	F1B3D102A011	2V 1000P	1	
C1152	ECJ2VCIH331J	50V 330P	1	
C1153	ECJGV1H222K	50V 2200P	1	
C1154	ECJGV1H102K	50V 1000P	1	
C1200	F1J1E104A081	25V 0.1U	1	
C1201	ECJ2VB1E473K	25V 0.047U	1	
C1270	F2A1C1820005	16V 1800P	1	
C1271	F2A1C1820005	16V 1800P	1	
C1272	F2A1C8210008	16V 820P	1	
C1401	F2A0J1220028	6.3V 1200P	1	
C1402	F2A0J3310059	6.3V 330U	1	
C1601	F2A1E4710061	25V 470U	1	
C1602	F1J1E104A081	25V 0.1U	1	
C1603	F1J1E104A081	25V 0.1U	1	
C1604	ECJ2YB1C474K	16V 0.47U	1	
C1605	ECJ2VCIH181J	50V 180P	1	
C1606	ECJGV1H103K	50V 0.01U	1	
C1607	F2A1A6810022	10V 680P	1	
C1608	F1J1E104A081	25V 0.1U	1	
C1800	F2A1E4700048	25V 47U	1	
D1140	B0EDKT000009	DIODE	1	
D1141	B0HADV000001	DIODE	1	
D1151	B0HAGM000006	DIODE	1	
D1152	MA24100NMF	DIODE	1	
D1155	MAZ73000BC	DIODE	1	
D1156	MA2C165001VT	DIODE	1	
D1157	B0HADV000001	DIODE	1	
D1270	B0JBSG000048	DIODE	1	
D1400	B0JANE000037	DIODE	1	
D1601	B0JCPD000021	DIODE	1	
D1602	B0JCPD000021	DIODE	1	
D1701	MA22D3900L	DIODE	1	
D1702	MA22D3900L	DIODE	1	
D1703	MA22D3900L	DIODE	1	
D1800	MA2J11100L	DIODE	1	
F1101	K5D202BK0005	FUSE	1	△
IC1150	C0DACZH00017	IC	1	
IC1200	C0DAEMZ00001	IC	1	
IC1601	C0DBAZZ00132	IC	1	
K1128	ERJ6GEY0R00Z	1/8W 0	1	
L1120	G0B233D00001	COIL	1	△
L1121	G0B233D00001	COIL	1	△
L1270	G0A100K00003	COIL	1	
L1400	G0A100HA0023	COIL 10UH	1	
L1600	G0A100HA0023	COIL 10UH	1	
L1601	G0A100K00003	COIL	1	
LB1122	J0JKB0000003	COIL	1	
LB1123	J0JKB0000003	COIL	1	
LB1125	J0JHC0000048	FILTER	1	

Ref. No.	Part No.	Part Name & Description	Pcs	Remarks
LB1126	ERJ6GEY0R00Z	1/8W 0	1	
LB1600	J0JHC0000048	FILTER	1	
P1101	K2AA2H000007	AC INLET	1	△
P1102	K1KB15AA0032	CONNECTOR (15P)	1	
Q1200	B3PBA0000454	TRANSISTOR	1	△
Q1600	B1DHED000008	TRANSISTOR	1	
QR1800	B1GDCFNN0002	TRANSISTOR	1	
QR1801	B1GBCFNN0004	TRANSISTOR	1	
R1122	ERG1SJ101E	1W 100	1	
R1150	ERJ6GEYJ180V	1/8W 18	1	
R1151	ERJ6GEYJ682V	1/8W 6.8K	1	
R1152	ERJ6GEYJ103V	1/8W 10K	1	
R1153	ERJ6GEYJ180V	1/8W 18	1	
R1154	ERJ6GEYJ822V	1/8W 8.2K	1	
R1155	ERJ6GEYJ471V	1/8W 470	1	
R1156	ERJ6GEYJ223V	1/8W 22K	1	
R1157	ERJ6GEYJ471V	1/8W 470	1	
R1158	ERX2SJR22E	2W 22	1	
R1200	ERJ6GEYJ122V	1/8W 1.2K	1	
R1201	ERJ6GEYJ822V	1/8W 8.2K	1	
R1205	ERJ6GEYJ224V	1/8W 220K	1	
R1206	ERJ6GEYJ242V	1/8W 2.4K	1	
R1207	ERJ6GEYJ103V	1/8W 10K	1	
R1208	ERJ6GEYJ222V	1/8W 2.2K	1	
R1209	ERJ6GEYJ102V	1/8W 1K	1	
R1210	ERJ6GEYJ102V	1/8W 1K	1	
R1410	ERJ8GEY0R00V	1/4W 0	1	
R1601	D1BFR0240001	1/2W 0.024U	1	
R1602	ERJ6GEYJ513V	1/8W 51K	1	
R1603	ERJ6RBD561V	1/10W 560	1	
R1604	ERJ6RBD912V	1/10W 9.1K	1	
R1605	ERJ6RBD272V	1/10W 2.7K	1	
R1800	ERJ6GEYJ471V	1/8W 470	1	
R1801	ERJ6GEYJ104V	1/8W 100K	1	
R1802	ERJ6GEYJ472V	1/8W 4.7K	1	
R1803	ERJ6GEYJ103V	1/8W 10K	1	
T1150	ETS28BF236AD	POWER TRANSFORMER	1	△
VA1110	ERZV10D471C2	VARIATOR	1	△
ZA1103	EYF52BCY	FUSE HOLDER	1	
ZA1104	EYF52BCY	FUSE HOLDER	1	
ZA1105	K9ZZ00001279	EARTH PLATE	1	
ZA1106	K9ZZ00001279	EARTH PLATE	1	
ZA1107	K9ZZ00001279	EARTH PLATE	1	
ZA1150	VSC5603-A	HEAT SINK	1	
ZA1151	XYN3+J8FJ	SCREW	1	
ZA1270	VSC5606-A	HEAT SINK	1	
ZA1271	XYN3+J8FJ	SCREW	1	
■	VEP73150A	DV JACK/SD P.C.B.	1	(RTL)
C66801	F1H1H1030006	50V 0.01U	1	
C66802	F1H1A225A051	10V 22U	1	
LB66801	J0JHC0000032	COIL	1	
LB66802	J0JHC0000045	COIL	1	
P66801	K1NA09E00083	CONNECTOR (9P)	1	
P66803	K1FY104B0006	CONNECTOR (4P)	1	
P66804	K1KA16AA0699	CONNECTOR (16P)	1	
R66801	DOGB123JA057	1/10W 12K	1	
R66807	DOGB223JA057	1/10W 22K	1	
R66808	DOGB223JA057	1/10W 22K	1	
R66812	DOGB220JA057	1/10W 22	1	
R66814	DOGB220JA057	1/10W 22	1	
R66815	DOGB101JA057	1/10W 100	1	

Ref. No.	Part No.	Part Name & Description	Pcs	Remarks
RX66801	EXB38V123JV	RESISTOR-RESISTOR	1	
RX66802	EXB38V220JV	RESISTOR-RESISTOR	1	
■	VEP73148A	HDMI P.C.B.	1	(RTL)
C56001	ECJ0EC1H221J	50V 220P	1	
C56103	ECJ0EB1A104K	10V 0.1U	1	
C56104	ECJ0EB1A104K	10V 0.1U	1	
C56105	ECJ0EB1A104K	10V 0.1U	1	
C56106	ECJ0EB1A104K	10V 0.1U	1	
C56107	ECJ0EB1A104K	10V 0.1U	1	
C56108	ECJ0EB1A104K	10V 0.1U	1	
C56109	ECJ0EB1A104K	10V 0.1U	1	
C56110	ECJ0EB1A104K	10V 0.1U	1	
C56111	ECJ0EB1A104K	10V 0.1U	1	
C56112	ECJ0EB1A104K	10V 0.1U	1	
C56113	ECJ0EB1A104K	10V 0.1U	1	
C56114	ECJ0EB1A104K	10V 0.1U	1	
C56115	ECJ0EB1A104K	10V 0.1U	1	
C56116	ECJ0EB1A104K	10V 0.1U	1	
C56117	ECJ0EB1A104K	10V 0.1U	1	
C56118	ECJ0EB1A104K	10V 0.1U	1	
C56119	ECJ0EB1A104K	10V 0.1U	1	
C56120	ECJ0EB1A104K	10V 0.1U	1	
C56121	ECJ0EB1A104K	10V 0.1U	1	
C56122	ECJ0EB1A104K	10V 0.1U	1	
C56123	ECJ0EB1A104K	10V 0.1U	1	
C56124	ECJ0EB1A104K	10V 0.1U	1	
C56125	ECJ0EB1A104K	10V 0.1U	1	
C56126	ECJ0EB1A104K	10V 0.1U	1	
C56127	ECJ0EB1A104K	10V 0.1U	1	
C56128	FIK0J106A003	6.3V 10U	1	
C56129	ECJ0EC1H221J	50V 220P	1	
C56130	ECJ1VB1A105K	10V 1U	1	
C56131	ECJ1VB1A105K	10V 1U	1	
C56133	ECJ1VB1A105K	10V 1U	1	
C56134	ECJ1VB1A105K	10V 1U	1	
C56135	ECJ0EB1A104K	10V 0.1U	1	
C56140	ECJ0EB1A104K	10V 0.1U	1	
D56101	MA2J72800L	DIODE	1	
FL56104	F1H0J1050025	FILTER	1	
FL56105	F1H0J1050025	FILTER	1	
FL56106	F1H0J1050025	FILTER	1	
FL56107	F1H0J1050025	FILTER	1	
FL56110	F1H0J1050025	FILTER	1	
IC56103	MN864702A	IC	1	
IC56104	C0CBBC00174	IC	1	
IC56105	C0CBDC00052	IC	1	
IC56106	C0DBEY00016	IC	1	
IC56107	C0JBAB000604	IC	1	
L56101	J0MAB0000170	COIL	1	
L56102	J0MAB0000170	COIL	1	
L56103	J0MAB0000170	COIL	1	
L56104	J0MAB0000170	COIL	1	
LB56104	J0JCC0000119	COIL	1	
LB56105	J0JCC0000119	COIL	1	
LB56106	J0JCC0000119	COIL	1	
LB56107	J0JCC0000119	COIL	1	
LB56108	J0JHC0000032	COIL	1	
LB56109	J0JHC0000032	COIL	1	
LB56110	J0JHC0000032	COIL	1	
LB56111	J0JHC0000032	COIL	1	
LB56112	J0JHC0000032	COIL	1	
LB56113	J0JHC0000032	COIL	1	
LB56115	J0JHC0000032	COIL	1	
LB56116	J0JHC0000032	COIL	1	

Ref. No.	Part No.	Part Name & Description	Pcs	Remarks
P56101	K1KB10A00124	CONNECTOR (10P)	1	
P56102	K1FA119E0004	JACK, HDMI	1	
P56103	K1KC30A00003	CONNECTOR (30P)	1	
Q56001	2SD1819A0L	TRANSISTOR	1	
Q56002	2SD1819A0L	TRANSISTOR	1	
Q56101	2SD1819A0L	TRANSISTOR	1	
Q56102	B1CFHA000002	TRANSISTOR	1	
Q56103	B1CFHA000002	TRANSISTOR	1	
Q56104	2SD1819A0L	TRANSISTOR	1	
Q56105	2SD1819A0L	TRANSISTOR	1	
R56001	ERJ2GEJ472X	1/16W 4.7K	1	
R56002	ERJ2GEJ473X	1/16W 47K	1	
R56003	ERJ2GEJ225X	1/16W 2200K	1	
R56004	ERJ2GEJ104X	1/16W 100K	1	
R56101	ERJ2GEJ220X	1/16W 22	1	
R56102	ERJ2GEOR00X	1/16W 0	1	
R56103	ERJ2GEOR00X	1/16W 0	1	
R56104	ERJ2GEOR00X	1/16W 0	1	
R56105	ERJ2GEOR00X	1/16W 0	1	
R56106	ERJ2GEOR00X	1/16W 0	1	
R56107	ERJ2GEOR00X	1/16W 0	1	
R56108	ERJ2GEOR00X	1/16W 0	1	
R56110	ERJ2GEOR00X	1/16W 0	1	
R56111	ERJ2GEOR00X	1/16W 0	1	
R56112	ERJ2GEOR00X	1/16W 0	1	
R56114	ERJ2GEOR00X	1/16W 0	1	
R56119	ERJ2GEJ330X	1/16W 33	1	
R56123	ERJ2GEJ511X	1/16W 510	1	
R56124	ERJ2GEJ103X	1/16W 10K	1	
R56125	ERJ2GEJ202X	1/16W 2K	1	
R56126	ERJ2GEJ202X	1/16W 2K	1	
R56127	ERJ2GEJ103X	1/16W 10K	1	
R56128	ERJ2GEJ202X	1/16W 2K	1	
R56129	ERJ2GEJ202X	1/16W 2K	1	
R56130	ERJ2GEJ273X	1/16W 27K	1	
R56131	ERJ2GEJ221X	1/16W 220	1	
R56132	ERJ2GEJ224X	1/16W 220K	1	
R56133	ERJ2GEJ104X	1/16W 100K	1	
R56135	ERJ2GEJ470X	1/16W 47	1	
R56137	ERJ2GEOR00X	1/16W 0	1	
R56138	ERJ2GEOR00X	1/16W 0	1	
R56140	ERJ2GEJ8R2X	1/16W 8.2	1	
R56142	ERJ2GEJ330X	1/16W 33	1	
R56143	ERJ2GEJ330X	1/16W 33	1	
R56144	ERJ2GEJ8R2X	1/16W 8.2	1	
R56145	ERJ2GEJ8R2X	1/16W 8.2	1	
R56146	ERJ2GEJ8R2X	1/16W 8.2	1	
R56147	ERJ2GEJ8R2X	1/16W 8.2	1	
R56148	ERJ2GEJ8R2X	1/16W 8.2	1	
R56149	ERJ2GEJ8R2X	1/16W 8.2	1	
R56150	ERJ2GEJ8R2X	1/16W 8.2	1	
R56158	ERJ2GEJ152X	1/16W 1.5K	1	
R56159	ERJ2GEJ332X	1/16W 3.3K	1	
R56160	ERJ2GEJ223X	1/16W 22K	1	
R56161	ERJ2GEJ470X	1/16W 47	1	
R56162	ERJ2GEJ103X	1/16W 10K	1	
R56163	ERJ2GEJ103X	1/16W 10K	1	
R56166	ERJ2GEOR00X	1/16W 0	1	
R56167	ERJ2GEJ102X	1/16W 1K	1	
RX56101	D1H8R0040009	RESISTOR-RESISTOR	1	
RX56102	D1H8R0040009	RESISTOR-RESISTOR	1	
VA56101	EZAEG2A50AX	FILTER	1	
VA56102	EZAEG2A50AX	FILTER	1	
VA56103	EZJZ0V80008B	FILTER	1	
VA56104	EZAEG2A50AX	FILTER	1	
VA56105	EZJZ0V80008B	FILTER	1	
VA56106	EZAEG2A50AX	FILTER	1	
VA56107	EZJZ0V80008B	FILTER	1	
VA56108	EZAEG2A50AX	FILTER	1	

Ref. No.	Part No.	Part Name & Description	Pcs	Remarks
VA56109	EZJZ0V80008B	FILTER	1	
VA56110	EZAEG2A50AX	FILTER	1	
VA56111	EZJZ0V80008B	FILTER	1	
VA56112	EZAEG2A50AX	FILTER	1	
VA56113	EZAEG2A50AX	FILTER	1	
■	VEP70194A	ATAPI P.C.B.	1	(RTL)
P9801	K1KB40A00124	CONNECTOR (40P)	1	
P9802	K1MN40BA0173	CONNECTOR (40P)	1	
■		CASING/ACCESSORY/PACKING		
1	RHD30113	SCREW	2	(S)
1	RHD30113-1K	SCREW	2	(K)
2	RHD30119-L	SCREW	14	
3	RKM0552A-S	TOP CASE	1	(S) △
3	RKM0552A-K	TOP CASE	1	(K) △
4	RFKB79156HT	MAIN P.C.B.	1	(RTL) EX77EG
4	RFKB79156JT	MAIN P.C.B.	1	(RTL) EX77EC, EC1
4	RFKB79156K	MAIN P.C.B.	1	(RTL) EX77EB
4	RFKB79156TT	MAIN P.C.B.	1	(RTL) EX87EG
4	RFKB79156UT	MAIN P.C.B.	1	(RTL) EX87EC, EC1
4	RFKB79156X	MAIN P.C.B.	1	(RTL) EX87EB
4-1	RMC0625	TUNER END	1	
5	VEP70187A	FRONT (L) P.C.B.	1	(RTL)
6	VEP73146A	FRONT JACK P.C.B.	1	(RTL)
7	VEP71118A	POWER P.C.B.	1	(RTL)
8	VEP73150A	DV JACK/SD P.C.B.	1	(RTL)
9	VEP73148A	HDMI P.C.B.	1	(RTL)
10	VEP70194A	ATAPI P.C.B.	1	(RTL)
11	RHD30111-3	SCREW	16	
12	RHD30102-1	SCREW	2	
13	RMA2051	REAR ANGLE B	1	
14	RMA2047	FRONT ANGLE	1	
15	XSN3+4FJ	SCREW	2	
16	VMC1534	EARTH SPRING	2	
17	RHD30151	SCREW	2	
18	RMA2052	DRIVE SPACER	1	
19	RQLS0394	CAUTION LABEL	1	△
20	RSC0805	DIGITAL SHIELD	1	
21	RHD30152	HDD SCREW	4	
22	RMG0677-K	DAMPER	4	
23	RMN0874	HDD BRACKET	1	
24	RFKV0092HDK	HDD 160GB	1	EX77
24	RFKV0093HDK	HDD 250GB	1	EX87
25	RMX0382	HDD CUSHION	4	
26	VEE0Z41	WIRE WITH CONNECTOR	1	
27	RGR0365J-P1	REAR PANEL	1	EX77EG △
27	RGR0365J-X1	REAR PANEL	1	EX77EC, EC1 △
27	RGR0365J-Q1	REAR PANEL	1	EX77EB △
27	RGR0365J-S1	REAR PANEL	1	EX87EG △
27	RGR0365J-W1	REAR PANEL	1	EX87EC, EC1 △
27	RGR0365J-T1	REAR PANEL	1	EX87EB △
28	RKA0144-K	FOOT RUBBER	4	
29	RYP1373-K	FRONT PANEL ASS'Y	1	EX77EGK, ECK, EC1K
29	RYP1373-S	FRONT PANEL ASS'Y	1	EX77EGS, ECS, EC1S
29	RYP1373C-K	FRONT PANEL ASS'Y	1	EX77EBK
29	RYP1373C-S	FRONT PANEL ASS'Y	1	EX77EBS
29	RYP1373E-K	FRONT PANEL ASS'Y	1	EX87EG, EC, EC1
29	RYP1373H-K	FRONT PANEL ASS'Y	1	EX87EB
29-1	RKF0787R-S	DOOR	1	EX77EGS, ECS, EC1S
29-1	RKF0787R-K	DOOR	1	EX77EGK, ECK, EC1K
29-1	RKF0787S-S	DOOR	1	EX77EBS
29-1	RKF0787S-K	DOOR	1	EX77EBK
29-1	RKF0787K-K	DOOR	1	EX87EG, EC, EC1
29-1	RKF0787L-K	DOOR	1	EX87EB

Ref. No.	Part No.	Part Name & Description	Pcs	Remarks
29-2	RKF0786C-K	TRAY DOOR	1	
29-3	RYF0814C-K	FL WINDOW ASS'Y	1	EG, EC, EC1
29-3	RYF0814D-K	FL WINDOW ASS'Y	1	EB
29-4	RMZ0911	FL BARRIER SHEET	1	
29-5	RGV0364-K	DOOR KNOB	1	EX87
29-6	RMB0871-1	BLINDER SPRING	1	
29-7	RGQ0485-K1	TRAY DOOR CUSHION	2	
30	VWJ1941	DIGITAL-HDD FFC	1	
32	RMX0286	PCB SPACER	1	
33	L6FAJDAE0002	FAN MOTOR	1	
34	RFKB77112B	BACKEND P.C.B.	1	(RTL) EG
34	RFKB77112C	BACKEND P.C.B.	1	(RTL) EC, EC1
34	RFKB77112A	BACKEND P.C.B.	1	(RTL) EB
36	RMQ1612	HEAT TRANSFER SHEET	1	
37	RMQ1614	HEAT TRANSFER SHEET	1	
38	VMX1336	MINI CARD SPACER	2	
39	RMX0361	PCB SUPPORT	1	
40	RMX0393	FRONT SPACER	1	
41	RFKNEX77EG	RAM/DIGITAL P.C.B. MODULE	1	(RTL) EX77EG
41	RFKNEX77EC	RAM/DIGITAL P.C.B. MODULE	1	(RTL) EX77EC, EC1
41	RFKNEX77EB	RAM/DIGITAL P.C.B. MODULE	1	(RTL) EX77EB
41	RFKNEX87EG	RAM/DIGITAL P.C.B. MODULE	1	(RTL) EX87EG
41	RFKNEX87EC	RAM/DIGITAL P.C.B. MODULE	1	(RTL) EX87EC, EC1
41	RFKNEX87EB	RAM/DIGITAL P.C.B. MODULE	1	(RTL) EX87EB
A1	K2KA6BA00003	AV CORD	1	
A2	K1TWACC00001	RF COAXIAL CABLE	2	
A2	K1TWACA00001	RF COAXIAL CABLE	1	EB
A3	N2QAYB000128	REMOTE CONTROLLER	1	EG
A3	N2QAYB000129	REMOTE CONTROLLER	1	EC, EC1
A3	N2QAYB000127	REMOTE CONTROLLER	1	EB
A3-1	100300035100	BATTERY COVER	1	
A4	RJA0043-1C	AC CORD	1	EG, EC, EC1 △
A4	K2CT3CA00004	AC CORD	1	EB △
A5	RPQD0003	PAD(C)	1	
A6	RPQFD0008	ACCESSORY BOX	1	
A7	RPPFD0005-1	POLYETHYLENE BAG	1	
A8	RQT8860-L	OPERATING INSTRUCTIONS	1	(IA) EG, EC, EC1
A8	RQT8861-D	OPERATING INSTRUCTIONS	1	(IB) EG
A8	RQT8862-V	OPERATING INSTRUCTIONS	1	(IC) EC
A8	RQT8863-E	OPERATING INSTRUCTIONS	1	(ID) EC1
A8	RQT8864-M	OPERATING INSTRUCTIONS	1	(IE) EC
A8	RQT8866-B	OPERATING INSTRUCTIONS	1	(IF) EB
A9	RP-CDH10BLH	HDMI CABLE	1	EC, EB
PC1	RPG8183	PACKING CASE	1	EX77EGS
PC1	RPG8298	PACKING CASE	1	EX77EGK
PC1	RPG8184	PACKING CASE	1	EX77ECS
PC1	RPG8300	PACKING CASE	1	EX77ECK
PC1	RPG8325	PACKING CASE	1	EX77EC1S
PC1	RPG8326	PACKING CASE	1	EX77EC1K
PC1	RPG8185	PACKING CASE	1	EX77EBS
PC1	RPG8299	PACKING CASE	1	EX77EBK
PC1	RPG8302	PACKING CASE	1	EX87EGK
PC1	RPG8303	PACKING CASE	1	EX87ECK
PC1	RPG8327	PACKING CASE	1	EX87EC1K
PC1	RPG8304	PACKING CASE	1	EX87EBK
PC2	RPPFD0004-1	MIRAMAT BAG	1	
PC3	RPN1969-1	CUSHION	1	
PC4	RPN1985-1	FRONT PAD	1	
PC5	RPQ2286-1	TOP PAD	1	EC