

S7. Replacement Parts List

- Note: 1.* Be sure to make your orders of replacement parts according to this list.
2. IMPORTANT SAFETY NOTICE
Components identified with the mark \triangle have the special characteristics for safety.
When replacing any of these components, use only the same type.
3. Unless otherwise specified,
All resistors are in OHMS, K=1,000 OHMS. All capacitors are in MICRO-FARADS (uf), P=uuF.
4. The marking (RTL) indicates the retention time is limited for this item. After the discontinuation of this assembly in production, it will no longer be available.

E.S.D. standards for Electrostatically Sensitive Devices, refer to “PREVENTION OF ELECTROSTATIC DISCHARGE (ESD) TO ELECTROSTATICALLY SENSITIVE (ES) DEVICES” section.

Ref.No.	Part No.	Part Name & Description	Pcs	Remarks	Ref.No.	Part No.	Part Name & Description	Pcs	Remarks
##	RFKB79237BT	POWER IF P.C.B.	1	(750EFK) (RTL) E.S.D.	D11302	MAZ4180NMF	DIODE	1	E.S.D.
##	RFKB79237AT	POWER IF P.C.B.	1	(850EFK) (RTL) E.S.D.	D11303	MAZ21110GL	DIODE	1	E.S.D.
##	VEP73170B	AV IO P.C.B.	1	(750EFK) (RTL) E.S.D.	D11304	B0HAGM000006	DIODE	1	E.S.D.
##	VEP73170A	AV IO P.C.B.	1	(850EFK) (RTL) E.S.D.	D11305	MAZ8082GML	DIODE	1	E.S.D.
##	VEP70316A	FRONT (L) P.C.B.	1	(RTL) E.S.D.	D11306	B0HADV000001	DIODE	1	E.S.D.
##	VEP70317B	FRONT (R) P.C.B.	1	(750EFK) (RTL) E.S.D.	D13201	B0JBSG000047	DIODE	1	E.S.D.
##	VEP70317A	FRONT (R) P.C.B.	1	(850EFK) (RTL) E.S.D.	D14201	B0JCMD000014	DIODE	1	E.S.D.
					D14202	B0JCMD000014	DIODE	1	E.S.D.
					D14301	B0JCMD000014	DIODE	1	E.S.D.
					D14302	B0JCMD000014	DIODE	1	E.S.D.
##	RFKB79237AT	POWER IF P.C.B.		(850EFK) (RTL) E.S.D.	△ F11101	K5G202Y00006	FUSE	1	
##	RFKB79237BT	POWER IF P.C.B.		(750EFK) (RTL) E.S.D.					
C1601	F2A1E3310075	25V 330U	1		IC1601	C0EBK0000206	IC	1	E.S.D.
C3801	F1H1H102A013	50V 1000P	1		IC6801	C0DBEY00016	IC	1	E.S.D.
C3803	F1H1H102A013	50V 1000P	1		IC6803	RFKFM37EFE2T	IC	1	E.S.D.
C6801	F1H1H103A219	50V 0.01U	1		IC7901	C0CBCDD00004	IC	1	E.S.D.
C6804	F1H1A105A028	10V 1U	1		IC11301	C0DACZH00017	IC	1	E.S.D.
C6805	F1J0J106A014	6.3V 10U	1		IC12201	C0DAEY000022	IC	1	E.S.D.
C6806	F1J0J106A014	6.3V 10U	1		IC14201	C0DBAY00602	IC	1	E.S.D.
C6807	F1J0J106A014	6.3V 10U	1		IC14301	C0DBAY00475	IC	1	E.S.D.
C6808	F1J0J106A014	6.3V 10U	1						
C6809	F1H1C104A071	16V 0.1U	1		JK3801	K2HA107B0002	JACK, VIDEO/AUDIO IN	1	(750EFK)
C6812	F1H1C104A071	16V 0.1U	1		JK3801	K2HA307B0006	JACK, VIDEO/AUDIO IN	1	(850EFK)
C7901	F1H1H103A219	50V 0.01U	1						
C7902	F1H1A105A028	10V 1U	1		L1601	G0C100K00043	COIL 10UH	1	
C7903	F1H1A105A028	10V 1U	1		△ L11101	G0B273E00006	COIL	1	
C7933	F4D55473A013	5.5V 0.047	1		△ L11102	G0B273E00006	COIL	1	
C10101	F1H1H221A004	50V 220P	1		L13201	G0A3R3J00003	COIL 3.3UH	1	
△ C11101	F0CAF683A021	100V 0.068P	1		L14203	G0A100ZA0045	COIL	1	
△ C11102	ECKMNA471MBV	470P	1		L14302	G0A100ZA0045	COIL	1	
△ C11103	ECKMNA471MBV	470P	1						
C11107	F2B2W6800005	400V 68U	1		LB3801	J0JBC0000011	COIL	1	
△ C11109	ECKMNA222MEV	0.022U	1		LB3802	J0JBC0000011	COIL	1	
△ C11111	F0CAF683A021	100V 0.068P	1		LB3803	ERJ3GEY0R00V	1/10W 0	1	
C11301	F1B3D681A011	2000V 680P	1		LB6801	J0JHC0000032	COIL	1	
C11302	F1H1H222A013	50V 2200P	1		LB6802	J0JCC0000185	COIL	1	
C11303	F2A1E2210067	25V 220	1		LB6803	J0JGC0000020	COIL	1	
C11304	F1H1H101A004	50V 100P	1		LB6804	J0JCC0000185	COIL	1	
C11305	F1H1H472A013	50V 4700P	1		LB7902	ERJ3GEY0R00V	1/10W 0	1	
C12202	F1H1C104A071	16V 0.1U	1		LB7904	ERJ3GEY0R00V	1/10W 0	1	
C12203	F1H1C104A071	16V 0.1U	1		LB11103	J0JKB0000003	COIL	1	
C13101	F1H1A105A028	10V 1U	1		LB11104	J0JHC0000048	COIL	1	
C13103	F2A1C3300040	16V 33U	1		LB14201	J0JHC0000048	COIL	1	
C13201	F2A1C2220081	16V 2200P	1		LB14301	J0JHC0000048	COIL	1	
C13202	F2A1C2220081	16V 2200P	1						
C13203	F2A1C1020095	16V 1000U	1		P1601	K1KA04AA0301	CONNECTOR(4P)	1	
C14201	F1K1C106A062	16V 10U	1		P1602	K1KA04AA0301	CONNECTOR(4P)	1	
C14202	F1K1C106A062	16V 10U	1		P6701	K1KY23AA0606	CONNECTOR(23P)	1	
C14203	F1J1E105A080	25V 1U	1		P6702	K1KY09AA0606	CONNECTOR(9P)	1	
C14204	F1H1C104A071	16V 0.1U	1		P6703	K1KY23AA0606	CONNECTOR(23P)	1	
C14205	F1H1H561A004	50V 560P	1		P6801	K1NA12B00004	SD CARD CONNECTOR(12P)	1	
C14206	F1H1C104A071	16V 0.1U	1		P6802	K1FY104B0006	DV IN CONNECTOR(4P)	1	
C14213	F2A1C1210022	16V 120P	1		P6804	K1FY104B0011	USB CONNECTOR(4P)	1	
C14214	F2A1C1210022	16V 120P	1		P7901	K1KB12B00040	CONNECTOR(12P)	1	
C14215	F2A1C1210022	16V 120P	1		△ P11101	K2AA2B000017	AC INLET	1	
C14216	F2A1C1210022	16V 120P	1						
C14217	F2A1C1210022	16V 120P	1		Q10101	B1ABDF000033	TRANSISTOR	1	E.S.D.
C14301	F1K1C106A062	16V 10U	1		△ Q10102	B3PBA0000454	TRANSISTOR	1	E.S.D.
C14302	F1K1C106A062	16V 10U	1		△ Q12201	B3PBA0000454	TRANSISTOR	1	E.S.D.
C14303	F1H1C104A071	16V 0.1U	1		Q13102	B1CHQD000010	TRANSISTOR	1	E.S.D.
C14304	F1H1H271A004	50V 270P	1		Q14202	B1DHED000008	TRANSISTOR	1	E.S.D.
C14305	F1H1C104A071	16V 0.1U	1		Q14302	B1DHED000008	TRANSISTOR	1	E.S.D.
C14306	F1H1C104A071	16V 0.1U	1						
C14307	F1H1C104A071	16V 0.1U	1		QR10101	B1GBCFNN0043	TRANSISTOR	1	E.S.D.
C14308	F2A1C1210022	16V 120P	1		QR10103	B1GBCFNN0041	TRANSISTOR	1	E.S.D.
C14309	F2A1C1210022	16V 120P	1		QR13101	B1GBCFNN0041	TRANSISTOR	1	E.S.D.
C14310	F2A1C1210022	16V 120P	1						
C14312	F2A1C1210022	16V 120P	1		R1603	ERJ3GEYJ222V	1/10W 2.2K	1	
C14313	F2A1C1210022	16V 120P	1		R1604	ERJ3GEYJ242V	1/10W 2.4K	1	
C14314	F2A1C1210022	16V 120P	1		R3801	ERJ3GEYJ473V	1/10W 47K	1	
					R3802	ERJ3GEYJ473V	1/10W 47K	1	
					R3803	ERJ3GEYJ750V	1/10W 75	1	
D10101	MA2J1110GL	DIODE	1	E.S.D.	R6802	ERJ3GEYJ390V	1/10W 39	1	
D10102	MA2J1110GL	DIODE	1	E.S.D.	R6803	ERJ3GEYJ820V	1/10W 82	1	
D11101	B0EDKT000009	DIODE	1	E.S.D.	R6806	ERJ3RBD273V	1/16W 27K	1	
D11301	MAZ73000BC	DIODE	1	E.S.D.	R6808	DOGFI1R0JA049	1/10W 1	1	

DMR-BW750EFK, DMR-BW850EFK vol.1

Ref.No.	Part No.	Part Name & Description	Pcs	Remarks	Ref.No.	Part No.	Part Name & Description	Pcs	Remarks
R6809	D0GF1R0JA049	1/10W 1	1		W509	ERJ6GEY0R00V	1/8W 0	1	
R6817	ERJ3GEYJ820V	1/10W 82	1		W510	ERJ6GEY0R00V	1/8W 0	1	
R6818	ERJ3GEYJ820V	1/10W 82	1		W511	ERJ6GEY0R00V	1/8W 0	1	
R6819	ERJ3GEYJ820V	1/10W 82	1		W512	ERJ3GEY0R00V	1/10W 0	1	
R6820	ERJ3GEYJ820V	1/10W 82	1		W513	ERJ6GEY0R00V	1/8W 0	1	
R6821	ERJ3RBD392V	1/16W 3.9K	1		W514	ERJ3GEY0R00V	1/10W 0	1	
R6822	ERJ3RBD103V	1/16W 10K	1		W515	ERJ6GEY0R00V	1/8W 0	1	
R6824	ERJ3GEY0R00V	1/10W 0	1						
R6825	ERJ3GEY0R00V	1/10W 0	1		ZA11301	VSC6148	HEAT SINK	1	
R7201	ERJ3GEYJ392V	1/10W 3.9K	1		ZA11302	XYN3+J8FJ	SCREW	1	
R7202	ERJ3GEYJ222V	1/10W 2.2K	1		ZA13201	VSC6148	HEAT SINK	1	
R7216	ERJ3GEYJ222V	1/10W 2.2K	1		ZA13202	XYN3+J8FJ	SCREW	1	
R7217	ERJ3GEYJ392V	1/10W 3.9K	1		ZA15301	K9ZZ00001279	EARTH PLATE	1	
R7906	ERJ3GEYJ181V	1/10W 180	1		ZA15302	K9ZZ00001279	EARTH PLATE	1	
R10101	ERJ3GEYJ104V	1/10W 100K	1						
R10102	ERJ3GEYJ104V	1/10W 100K	1		ZJ3801	K9ZZ00001279	EARTH PLATE	1	
R10104	ERJ3GEYJ472V	1/10W 4.7K	1		ZJ3802	K9ZZ00001279	EARTH PLATE	1	
R10107	ERJ3RED474V	1/16W 470K	1		ZJ6801	K9ZZ00001279	EARTH PLATE	1	
R10110	ERJ3GEYJ224V	1/10W 220K	1		ZJ6802	K9ZZ00001279	EARTH PLATE	1	
R11101	D0BF685JA030	6.8M	1						
R11102	ERG1SJ22E	1W 2.2K	1						
R11301	ERX2SJR22E	2W 0.22	1						
R11302	ERJ3GEYJ153V	1/10W 15K	1		##	VEP73170B	AV IO P.C.B.		(750EFK) (RTL) E.S.D.
R11303	ERDS2TJ560T	1/4W 56	1		##	VEP73170A	AV IO P.C.B.		(850EFK) (RTL) E.S.D.
R11304	ERJ3GEYG153V	1/10W 15K	1						
R11305	ERJ3GEYG153V	1/10W 15K	1		C3001	F1H1C104A071	16V 0.1U	1	
R11306	ERJ6GEYJ150V	1/8W 15	1		C3002	F1H1H103A219	50V 0.01U	1	
R11307	ERJ6GEYJ150V	1/8W 15	1		C3003	F1H1C104A071	16V 0.1U	1	
R11308	ERJ3GEYJ103V	1/10W 10K	1		C3004	F1H1C104A071	16V 0.1U	1	
R11309	ERJ3GEYG472V	1/10W 4.7K	1		C3005	F1H1H103A219	50V 0.01U	1	
R11310	ERJ3GEYG102V	1/10W 1K	1		C3012	F2A0J102A833	6.3V 1000U	1	
R12201	ERJ3GEYJ102V	1/10W 1K	1		C3015	F1H1C104A071	16V 0.1U	1	
R12202	ERJ3GEYJ272V	1/10W 2.7K	1		C3016	F1H1C104A071	16V 0.1U	1	
R12203	ERJ3GEYJ102V	1/10W 1K	1		C3017	F1H1C104A071	16V 0.1U	1	
R12204	ERJ3GEYJ222V	1/10W 2.2K	1		C3018	F1H1C104A071	16V 0.1U	1	
R12206	ERJ3GEYG331V	1/10W 330	1		C3019	F1H1C104A071	16V 0.1U	1	
R12208	ERJ3GEYG183V	1/10W 18K	1		C3020	F1H1C104A071	16V 0.1U	1	
R12209	ERJ3GEYG472V	1/10W 4.7K	1		C3021	F1H1C104A071	16V 0.1U	1	
R13101	ERJ3GEYJ223V	1/10W 22K	1		C3022	F1H1C104A071	16V 0.1U	1	
R13102	ERJ3GEYJ223V	1/10W 22K	1		C3023	F1H1H330A004	50V 33P	1	
R14202	ERJ3GEYG163V	1/10W 16K	1		C3024	F1H1C104A071	16V 0.1U	1	
R14206	D1BFR0270001	1/2W 0.027	1		C3025	F1H1C104A071	16V 0.1U	1	
R14209	ERJ3GEYG152V	1/10W 1.5K	1		C3026	F1H1A105A028	10V 1U	1	
R14210	ERJ3GEYG363V	1/10W 36K	1		C3027	F1H1C104A071	16V 0.1U	1	
R14211	ERJ3GEYG123V	1/10W 12K	1		C3028	F1H1A105A028	10V 1U	1	
R14213	ERJ3GEY0R00V	1/10W 0	1		C3029	F1H1C104A071	16V 0.1U	1	
R14301	ERJ3GEYG272V	1/10W 2.7K	1		C3030	F1H1A105A028	10V 1U	1	
R14302	ERJ3GEYG333V	1/10W 33K	1		C3031	F1H1H103A219	50V 0.01U	1	
R14303	ERJ3GEYG823V	1/10W 82K	1		C3032	F1J0J106A020	6.3V 10U	1	
R14304	ERJ3GEYG273V	1/10W 27K	1		C3033	F1H1H103A219	50V 0.01U	1	
R14305	ERJ3GEYG474V	1/10W 470K	1		C3034	F1H1H103A219	50V 0.01U	1	
R14306	D1BFR0240001	1/2W 0.024	1		C3035	F1J0J106A020	6.3V 10U	1	
R14307	ERJ3GEYG273V	1/10W 27K	1		C3038	F1H1C104A071	16V 0.1U	1	
R14308	ERJ3GEYG474V	1/10W 470K	1		C3039	F1H1C104A071	16V 0.1U	1	
R14309	ERJ3GEYG562V	1/10W 5.6K	1		C3043	F1H1H682A013	50V 6800P	1	
R14310	ERJ3GEYG224V	1/10W 220K	1		C3045	F2A0J102A833	6.3V 1000U	1	
R14311	ERJ3GEYG273V	1/10W 27K	1		C3046	F2A0J331A832	6.3V 330P	1	
R14312	ERJ3GEYG562V	1/10W 5.6K	1		C3047	F2A0J331A832	6.3V 330P	1	
					C3058	F1H1H471A792	50V 470P	1	
S7202	EVQ11A04M	SWITCH, PLAY	1		C3060	F1H1H471A792	50V 470P	1	
S7203	EVQ11A04M	SWITCH, CH UP	1		C3065	F1H1A105A028	10V 1U	1	
S7204	EVQ11A04M	SWITCH, REC	1		C3066	F1H1A105A028	10V 1U	1	
S7205	EVQ11A04M	SWITCH, CH DOWN	1		C3067	F1H1A105A028	10V 1U	1	
S7206	EVQ11A04M	SWITCH, STOP	1		C3068	F1H1A105A028	10V 1U	1	
					C3069	F1H1A105A028	10V 1U	1	
⚠ T11301	G4DYA0000162	TRANSFORMERS	1		C3910	F1K1C106A062	16V 10U	1	
⚠ VA11101	ERZV10D471C2	VARISTOR	1		C3911	F1K1C106A062	16V 10U	1	
					C3916	F1H1A105A028	10V 1U	1	
W501	ERJ6GEY0R00V	1/8W 0	1		C3917	F1H1A105A028	10V 1U	1	
W502	ERJ3GEY0R00V	1/10W 0	1		C3918	F1K1C106A062	16V 10U	1	
W503	ERJ3GEY0R00V	1/10W 0	1		C3919	F1K1C106A062	16V 10U	1	
W504	ERJ3GEY0R00V	1/10W 0	1		C3928	F1H1A105A028	10V 1U	1	
W505	ERJ3GEY0R00V	1/10W 0	1		C3929	F1H1A105A028	10V 1U	1	
W506	ERJ3GEY0R00V	1/10W 0	1		C3951	F1H1H470A004	50V 47P	1	
W507	ERJ3GEY0R00V	1/10W 0	1		C3952	F1H1H470A004	50V 47P	1	
W508	ERJ6GEY0R00V	1/8W 0	1		C3953	F1H1H471A792	50V 470P	1	
					C3954	F1H1H471A792	50V 470P	1	

DMR-BW750EFK, DMR-BW850EFK vol.1

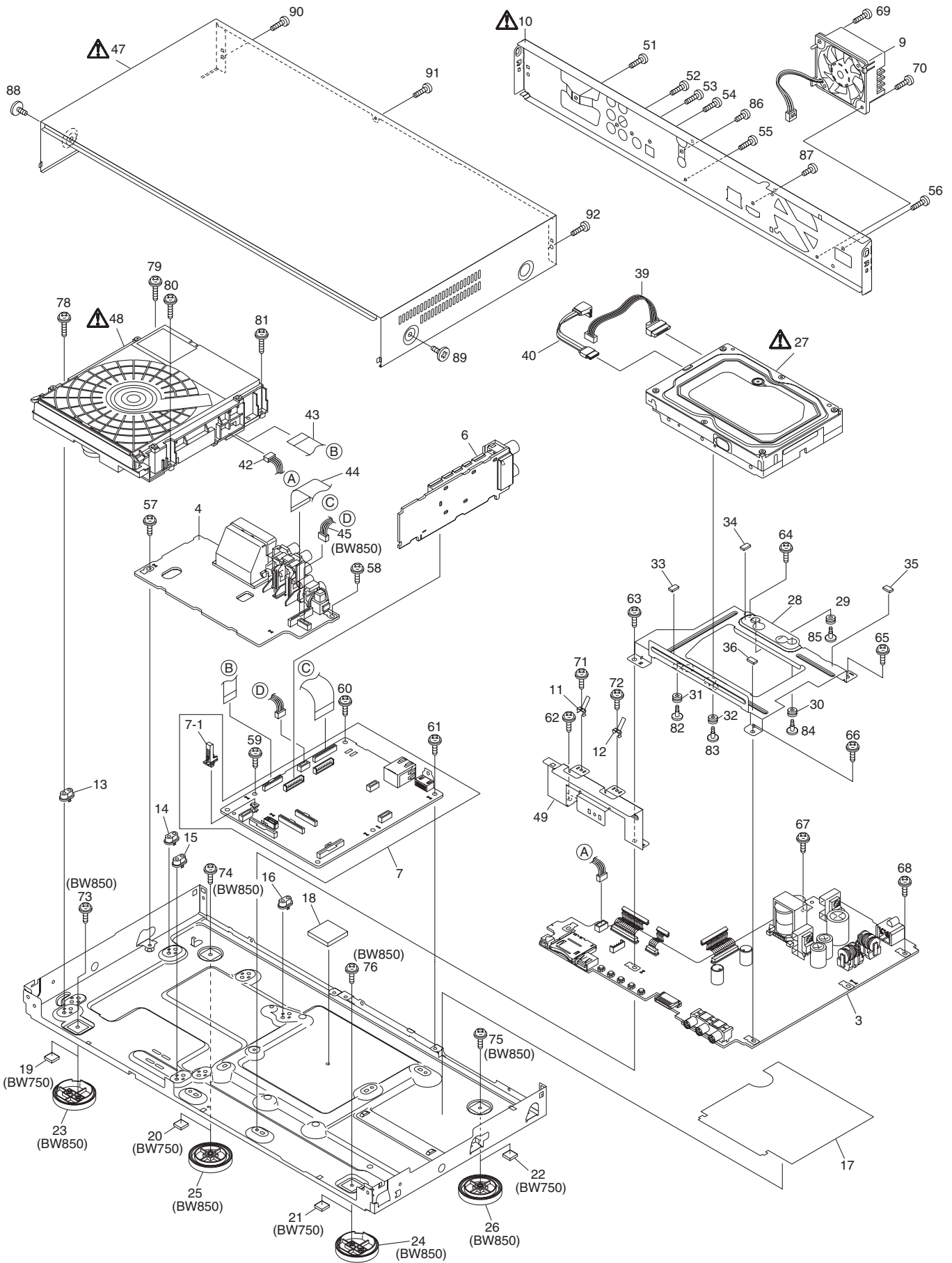
Ref.No.	Part No.	Part Name & Description	Pcs	Remarks	Ref.No.	Part No.	Part Name & Description	Pcs	Remarks
R4081	ERJ3GEYJ821V	1/10W 820	1						
R4088	ERJ3GEYJ202V	1/10W 2K	1	(850EFK)					
R4089	ERJ3GEYJ202V	1/10W 2K	1	(850EFK)					
R4090	ERJ3GEYJ121V	1/10W 120	1						
R4093	ERJ3GEYJ121V	1/10W 120	1						
R4094	ERJ3GEYJ223V	1/10W 22K	1						
R4802	ERJ3GEYJ102V	1/10W 1K	1						
R4803	ERJ3GEYJ102V	1/10W 1K	1						
R4804	ERJ3GEYJ102V	1/10W 1K	1						
R4805	ERJ3GEYJ221V	1/10W 220	1						
R4806	ERJ3GEYJ750V	1/10W 75	1						
R4807	ERJ3GEYJ103V	1/10W 10K	1						
R4901	ERJ3GEYJ470V	1/10W 47	1						
ZJ3001	K9ZZ00001279	EARTH PLATE	1						
ZJ3002	K9ZZ00001279	EARTH PLATE	1						
##	VEP70316A	FRONT (L) P.C.B.		(RTL) E.S.D.					
P7001	K1KA03AA0301	CONNECTOR(3P)	1						
S7002	EVQ11A04M	SWITCH, POWER	1						
##	VEP70317A	FRONT (R) P.C.B.		(850EFK) (RTL) E.S.D.					
##	VEP70317B	FRONT (R) P.C.B.		(750EFK) (RTL) E.S.D.					
C7202	F1H1A105A028	10V 1U	1						
C7204	F1H1C104A071	16V 0.1U	1						
C7206	F1H1C104A071	16V 0.1U	1						
D7202	B3AEA0000099	LED	1	E.S.D.					
D7207	B3AAA0001018	LED	1	E.S.D.					
D7208	B3AAA0001018	LED	1	E.S.D.					
DP7201	L5DCAGB00006	DISPLAY	1						
IC7201	C0HBA0000259	IC	1	E.S.D.					
IR7201	B3RAD0000150	REMOTE SENSOR	1						
LB7201	J0JCC0000103	COIL	1						
LB7202	J0JCC0000103	COIL	1						
LB7204	J0JYC0000070	COIL	1						
P7201	K1KA12B00136	CONNECTOR(12P)	1						
P7202	K1KA03AA0301	CONNECTOR(3P)	1						
P7203	K1KA03AA0301	CONNECTOR(3P)	1						
Q7204	B1ABDF000033	TRANSISTOR	1	E.S.D.					
QR7201	UNR52AMJ0L	TRANSISTOR	1	E.S.D.					
QR7202	UNR52AMJ0L	TRANSISTOR	1	E.S.D.					
R7206	ERJ6GEYJ201V	1/8W 200	1						
R7207	ERJ6GEYJ181V	1/8W 180	1						
R7211	ERJ3GEYJ330V	1/10W 33	1						
R7213	ERJ6GEYJ201V	1/8W 200	1						
R7237	ERJ3GEYJ101V	1/10W 100	1						
R7238	ERJ3GEYJ101V	1/10W 100	1						
R7239	ERJ3GEYJ101V	1/10W 100	1						
R7240	ERJ3GEYJ332V	1/10W 3.3K	1						
R7241	ERJ6GEYJ121V	1/8W 120	1						
R7242	ERJ3GEYJ473V	1/10W 47K	1						
S7201	EVQ11A04M	SWITCH, OPEN/CLOSE	1						
W651	ERJ6GEY0R00V	1/8W 0	1						
W652	ERJ6GEY0R00V	1/8W 0	1						
W653	ERJ6GEY0R00V	1/8W 0	1						
ZB7201	RMN0923-J	FL HOLDER	1						

DMR-BW750EFK, DMR-BW850EFK vol.1

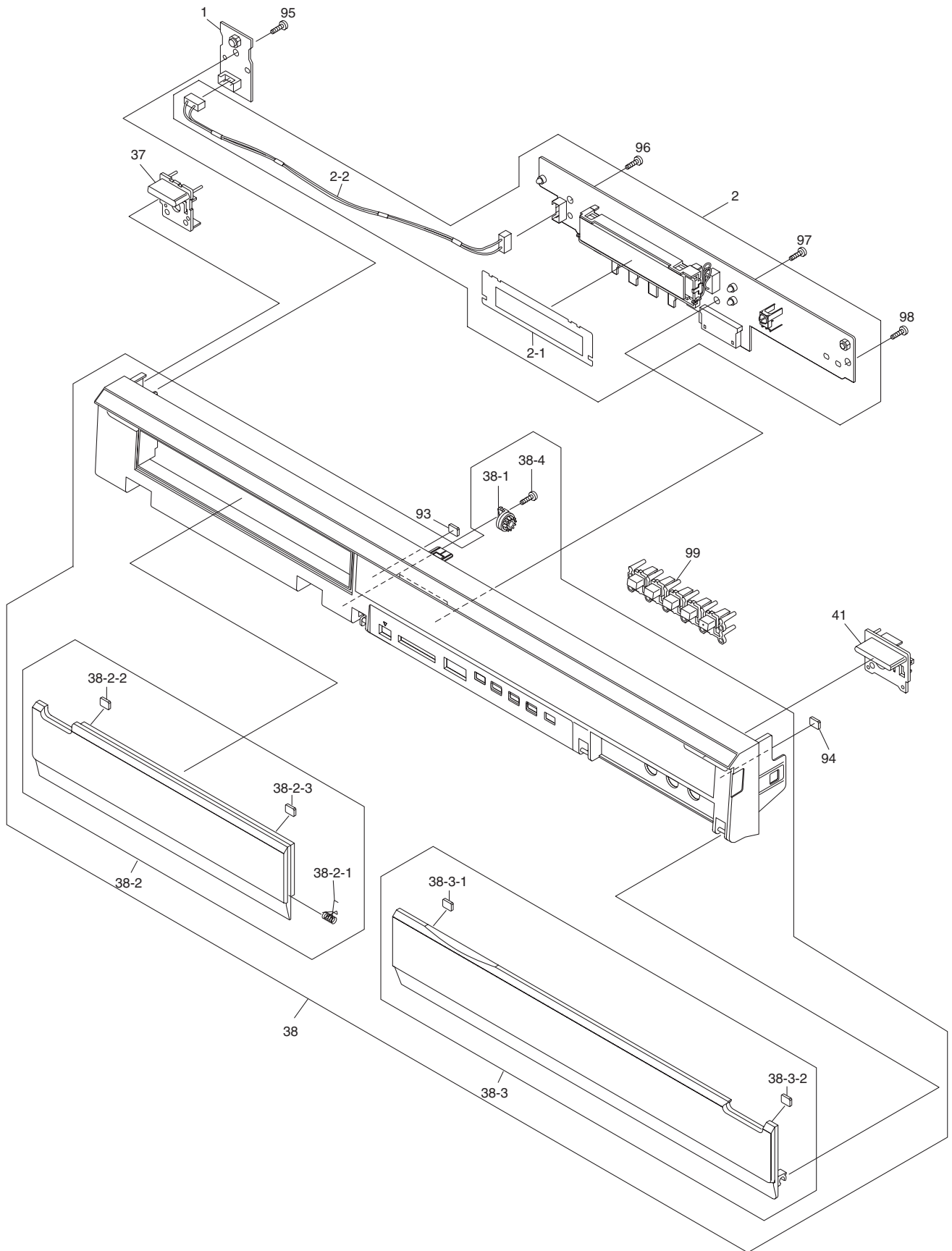
Ref.No.	Part No.	Part Name & Description	Pcs	Remarks	Ref.No.	Part No.	Part Name & Description	Pcs	Remarks
3	RFKB79237BT	POWER IF P.C.B.	1	(750EFK) (RTL) E.S.D.	81	RHDC0003-1	SCREW	1	
3	RFKB79237AT	POWER IF P.C.B.	1	(850EFK) (RTL) E.S.D.	82	RHD34001	SCREW	1	
4	VEP73170B	AV IO P.C.B.	1	(750EFK) (RTL) E.S.D.	83	RHD34001	SCREW	1	
4	VEP73170A	AV IO P.C.B.	1	(850EFK) (RTL) E.S.D.	84	RHD34001	SCREW	1	
6	REBD0002	SI TUNER PACK	1		85	RHD34001	SCREW	1	
7	RFKB79238A	DIGITAL P.C.B.	1	(750EFK) E.S.D.	86	XSN3+4FJ	SCREW	1	
7	RFKB79238B	DIGITAL P.C.B.	1	(850EFK) E.S.D.	87	XSN3+4FJ	SCREW	1	
7-1	RMN0203	PCB HOLDER	1		88	RHD30113-1K	SCREW	1	
9	L6FAJDAE0007	DC FAN MOTOR	1		89	RHD30113-1K	SCREW	1	
△ 10	RGR0396A-D1	REAR PANEL	1	(750EFK)	90	RHD30119-L	SCREW	1	
△ 10	RGR0396A-A1	REAR PANEL	1	(850EFK)	91	RHD30119-L	SCREW	1	
11	RMC0728	EARTH SPRING	1		92	RHD30119-L	SCREW	1	
12	RMC0728	EARTH SPRING	1						
13	RMX0436-J	DRIVE SPACER	1						
14	RMX0436-J	DRIVE SPACER	1						
15	RMX0436-J	DRIVE SPACER	1						
16	RMX0436-J	DRIVE SPACER	1						
17	RMZ1033	BARRIER	1						
18	RSC0905	RADIATOR SHEET	1						
19	RKA0144-K	FOOT RUBBER	1	(750EFK)					
20	RKA0144-K	FOOT RUBBER	1	(750EFK)					
21	RKA0144-K	FOOT RUBBER	1	(750EFK)					
22	RKA0144-K	FOOT RUBBER	1	(750EFK)					
23	RYQ0682-K	LEG (A)	1	(850EFK)					
24	RYQ0682-K	LEG (A)	1	(850EFK)					
25	RYQ0683A-K	LEG (B)	1	(850EFK)					
26	RYQ0683A-K	LEG (B)	1	(850EFK)					
27	RFKV0208HDKT	HDD(250GB)	1	(750EFK)					
27	RFKV0209HDKT	HDD(500GB)	1	(850EFK)					
28	RMN0914A	HDD BRACKET	1						
29	RMG0739-K	FLOATING RUBBER	1						
30	RMG0739-K	FLOATING RUBBER	1						
31	RMG0739-K	FLOATING RUBBER	1						
32	RMG0739-K	FLOATING RUBBER	1						
33	RMG0742-K1	HDD SHEET	1						
34	RMG0742-K1	HDD SHEET	1						
35	RMG0742-K1	HDD SHEET	1						
36	RMG0742-K1	HDD SHEET	1						
39	VEE1E60	SATA POWER CABLE	1						
40	VEE1E28	DIGITAL-HDD CABLE	1						
42	VEE1G40	BD POWER CABLE	1						
43	VWJ1967-1	FFC(40P)	1						
44	VWJ2107	AV-DIGITAL FFC	1						
45	VEE1G43	AV-DIGITAL CABLE	1	(850EFK)					
△ 47	RKM0616-K	TOP CASE	1						
△ 48	VXY2077	BD DRIVE UNIT	1						
49	RMA2215	FRONT ANGLE	1						
51	RHD30119-L	SCREW	1						
52	RHD30119-L	SCREW	1						
53	RHD30119-L	SCREW	1						
54	RHD30119-L	SCREW	1						
55	RHD30119-L	SCREW	1						
56	RHD30119-L	SCREW	1						
57	RHD30111-31	SCREW	1						
58	RHD30111-31	SCREW	1						
59	RHD30111-31	SCREW	1						
60	RHD30111-31	SCREW	1						
61	RHD30111-31	SCREW	1						
62	RHD30111-31	SCREW	1						
63	RHD30111-31	SCREW	1						
64	RHD30111-31	SCREW	1						
65	RHD30111-31	SCREW	1						
66	RHD30111-31	SCREW	1						
67	RHD30111-31	SCREW	1						
68	RHD30111-31	SCREW	1						
69	RHD30119-L	SCREW	1						
70	RHD30119-L	SCREW	1						
71	RHD30119-L	SCREW	1						
72	RHD30119-L	SCREW	1						
73	RHD30111-31	SCREW	1	(850EFK)					
74	RHD30111-31	SCREW	1	(850EFK)					
75	RHD30111-31	SCREW	1	(850EFK)					
76	RHD30111-31	SCREW	1	(850EFK)					
78	RHDC0003-1	SCREW	1						
79	RHDC0003-1	SCREW	1						
80	RHDC0003-1	SCREW	1						

S8. Exploded View

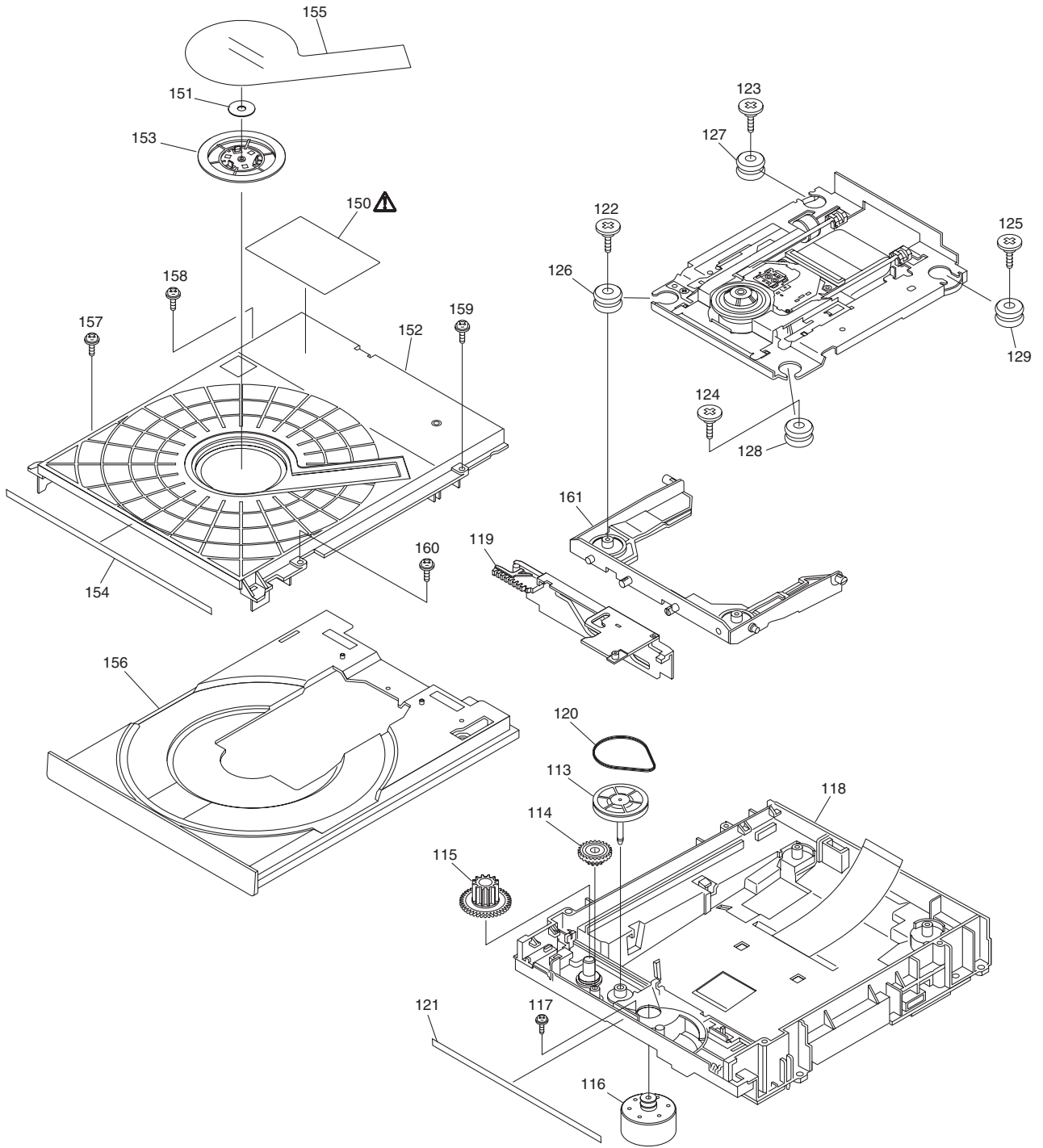
S8.1. Frame and Casing Section (1)



S8.2. Frame and Casing Section (2)



S8.3. Mechanism Section



S8.4. Packing Parts and Accessories Section

