

INITIAL/LOGO	ABBREVIATIONS
	TPSO OP AMP OUTPUT TPSP OP AMP INVERTED INPUT TRCRS TRACK CROSS SIGNAL TRON TRACKING ON TRSON TRAVERSE SERVO ON
V	VBLANK V BLANKING VCC COLLECTOR POWER SUPPLY VOLTAGE VDCONT VIDEO CD CONTROL (TRACKING BALANCE) VDD DRAIN POWER SUPPLY VOLTAGE VFB VIDEO FEED BACK VREF VOLTAGE REFERENCE VSS SOURCE POWER SUPPLY VOLTAGE
W	WAIT BUS CYCLE WAIT WDCK WORD CLOCK WEH WRITE ENABLE HIGH WSR WORD SELECT RECEIVER
X	X X' TAL XALE X ADDRESS LATCH ENABLE XAREQ X AUDIO DATA REQUEST XCDROM X CD ROM CHIP SELECT XCS X CHIP SELECT XCSYNC X COMPOSITE SYNC XDS X DATA STROBE XHSYNCO X HORIZONTAL SYNC OUTPUT XHINT XH INTERRUPT REQUEST XI X' TAL OSCILLATOR INPUT XINT X INTERRUPT XMW X MEMORY WRITE ENABLE XO X' TAL OSCILLATOR OUTPUT XRE X READ ENABLE XSRMCE X SRAM CHIP ENABLE XSRMOE X SRAM OUTPUT ENABLE XSRMWE X SRAM WRITE ENABLE XVCS X V-DEC CHIP SELECT XVDS X V-DEC CONTROL BUS STROBE XVSYNCO X VERTICAL SYNC OUTPUT

S7. Replacement Parts List

- Note:
- 1.* Be sure to make your orders of replacement parts according to this list.
 2. IMPORTANT SAFETY NOTICE
Components identified with the mark \triangle have the special characteristics for safety.
When replacing any of these components, use only the same type.
 3. Unless otherwise specified,
All resistors are in OHMS, K=1,000 OHMS. All capacitors are in MICRO-FARADS (uf), P=uuF.
 4. The marking (RTL) indicates the retention time is limited for this item. After the discontinuation of this assembly in production, it will no longer be available.

E.S.D. standards for Electrostatically Sensitive Devices, refer to “PREVENTION OF ELECTROSTATIC DISCHARGE (ESD) TO ELECTROSTATICALLY SENSITIVE (ES) DEVICES” section.

Ref.No.	Part No.	Part Name & Description	Pcs	Remarks
##	VEP71182C	POWER P.C.B.	1	(RTL) E.S.D.
##	VEP74122A	AUDIO/VIDEO OUTPUT P.C.B.	1	(RTL) E.S.D.
##	VEP70339C	FL P.C.B.	1	(RTL) E.S.D.
##	VEP70340A	POWER SW P.C.B.	1	(RTL) E.S.D.
##	VEP70341C	SW P.C.B.	1	(RTL) E.S.D.
##	VEP71182C	POWER P.C.B.		(RTL) E.S.D.
△ C1001	F0CAF683A021	100V 0.068P	1	
△ C1005	F1B2G4710001	400V 470P	1	
△ C1006	F1B2G4710001	400V 470P	1	
△ C1009	F0CAF683A021	100V 0.068P	1	
C1014	F2B2G8200010	400V 82U	1	
△ C1018	F1BAF1020020	1000P	1	
△ C1019	F1B2G6810001	400V 680U	1	
C1021	F1B3D471A011	CERAMIC CAPACITOR	1	
C1023	F1H1H222A013	50V 2200P	1	
C1024	F1H1H470A004	50V 47P	1	
C1025	F2A1V6800002	35V 68U	1	
C1026	F1H1H222A013	50V 2200P	1	
C1031	F1B3D222A011	2000V 2200P	1	
C1114	F1H1C104A071	16V 0.1U	1	
C1118	F2A1C1520021	16V 1500U	1	
C1121	F2A1C1520021	16V 1500U	1	
C1124	F1H1C104A071	16V 0.1U	1	
C1125	F2A1C102B607	16V 1000U	1	
C1131	F1K1C106A062	16V 10U	1	
C1132	F1H1C104A071	16V 0.1U	1	
C1133	F1H1H153A013	50V 0.015U	1	
C1134	F1H1H120A004	CHIP CAPACITOR	1	
C1135	F1H1H221A004	50V 220P	1	
C1136	F1H1C104A071	16V 0.1U	1	
C1137	F1H1C104A071	16V 0.1U	1	
C1140	F2A1C8210008	16V 820U	1	
C1141	F1H1C104A071	16V 0.1U	1	
C1172	F2A1V470A831	35V 47U	1	
C1173	F2A1H100B040	50V 10U	1	
C1174	F2A1C221B111	16V 220U	1	
C1175	F1H1H392A013	50V 390U	1	
C1176	F2A1C221B111	16V 220U	1	
D1006	B0EDKT000009	DIODE	1	E.S.D.
D1012	B0HADV000001	DIODE	1	E.S.D.
D1021	B0HADV000001	DIODE	1	E.S.D.
D1023	B0BC03200002	DIODE	1	E.S.D.
D1025	B0BA01600007	DIODE	1	E.S.D.
D1026	B0ACCK000005	DIODE	1	E.S.D.
D1027	B0HAGM000006	DIODE	1	E.S.D.
D1029	B0BA9R900005	DIODE	1	E.S.D.
D1031	B0ACCK000005	DIODE	1	E.S.D.
D1032	B0ACCK000005	DIODE	1	E.S.D.
D1110	B0JBSM000003	DIODE	1	E.S.D.
D1131	B0JCMD000014	DIODE	1	E.S.D.
D1132	B0JCMD000014	DIODE	1	E.S.D.
D1171	B0BA02100019	DIODE	1	E.S.D.
D1172	B0BA03600021	DIODE	1	E.S.D.
D1173	B0AADM000003	DIODE	1	E.S.D.
D1175	B0BA01800019	DIODE	1	E.S.D.
D1176	B0JAMD000026	DIODE	1	E.S.D.
△ F1001	K5G202Y00006	FUSE	1	
IC1021	C0DACZH00017	IC	1	E.S.D.
IC1102	C0DBZMC00006	IC	1	E.S.D.
IC1130	C0DBAYY00624	IC	1	E.S.D.
△ L1001	G0B123E00005	COIL	1	
△ L1002	G0B123E00005	COIL	1	
L1103	G0A100H00025	COIL 10UH	1	
L1105	G0A100ZA0045	COIL	1	
LB1021	J0JKB0000003	COIL	1	
LB1131	J0JHC0000048	COIL	1	

Ref.No.	Part No.	Part Name & Description	Pcs	Remarks
△ P1001	K2AA2B000017	AC INLET	1	
P1102	K1KY23AA0606	CONNECTOR(23P)	1	
P1103	K1KA12AA0288	CONNECTOR(12P)	1	
P1104	K1KB10B00045	CONNECTOR(10P)	1	
△ Q1022	B3PBA0000454	TRANSISTOR	1	E.S.D.
△ Q1023	B3PBA0000454	TRANSISTOR	1	E.S.D.
Q1131	B1CHRDF000024	TRANSISTOR	1	E.S.D.
Q1170	B1ADGF000010	TRANSISTOR	1	E.S.D.
Q1171	B1BACG000058	TRANSISTOR	1	E.S.D.
Q10101	B1ABDF000033	TRANSISTOR	1	E.S.D.
QR1101	B1GBCFL0042	TRANSISTOR	1	E.S.D.
QR1131	B1GBCFNN0041	TRANSISTOR	1	E.S.D.
QR1170	B1GBCFJ00040	TRANSISTOR	1	E.S.D.
R1006	D0BF685JA030	6.8M	1	
R1011	ERG2SJ104P	2W 100K	1	
R1012	ERG2SJ104P	2W 100K	1	
R1013	ERG1SJ331E	1W 330	1	
R1022	ERX2SZJR18E	10W 0.18	1	
R1023	ERJ3GEYJ103V	1/10W 10K	1	
R1024	ERJ3GEYG223V	1/16W 22K	1	
R1026	ERDS2TJ221T	1/4W 220	1	
R1028	ERJ6GEYJ100V	1/8W 10	1	
R1029	ERJ6GEYJ100V	1/8W 10	1	
R1030	ERJ3GEYJ103V	1/10W 10K	1	
R1032	ERJ3GEYG472V	1/10W 4.7K	1	
R1033	ERJ3GEYG472V	1/10W 4.7K	1	
R1041	ERJ3GEYJ223V	1/10W 22K	1	
R1042	ERJ3GEYJ104V	1/10W 100K	1	
R1104	ERJ3GEYJ472V	1/10W 4.7K	1	
R1111	ERJ3GEYJ102V	1/10W 1K	1	
R1112	ERJ3GEYJ222V	1/10W 2.2K	1	
R1113	ERJ3GEYJ103V	1/10W 10K	1	
R1115	ERJ3RBD472V	1/16W 4.7K	1	
R1116	ERJ3GEYJ222V	1/10W 2.2K	1	
R1118	ERJ3RBD331V	1/16W 330	1	
R1119	ERJ3RBD183V	1/16W 18K	1	
R1122	ERJ3GEY0R00V	1/10W 0	1	
R1131	ERJ3GEYG333V	1/10W 33K	1	
R1132	ERJ3GEYG272V	1/10W 2.7K	1	
R1133	ERJ3GEYG103V	1/10W 10K	1	
R1134	ERJ3GEYG224V	1/10W 220K	1	
R1135	ERJ3GEYG273V	1/10W 27K	1	
R1136	ERJ3RBD273V	1/16W 27K	1	
R1137	ERJ3RED474V	1/16W 470K	1	
R1138	ERJ3RBD273V	1/16W 27K	1	
R1139	ERJ3RED474V	1/16W 470K	1	
R1141	ERJ3GEYJ224V	1/10W 220K	1	
R1142	ERJ3GEYG823V	1/10W 82K	1	
R1143	ERJ3RED474V	1/16W 470K	1	
R1144	ERJ3GEYG562V	1/10W 5.6K	1	
R1145	D1BFR0270001	1/2W 0.027	1	
R1171	ERJ3GEYJ472V	1/10W 4.7K	1	
R1172	ERJ3GEYJ472V	1/10W 4.7K	1	
R1173	ERJ3GEYJ562V	1/10W 5.6K	1	
R1174	ERDS2TJ470T	1/4W 47	1	
R1176	ERJ3GEYJ471V	1/10W 470	1	
△ T1001	G4D2A0000321	SWITCH, TRANSFORMER	1	
T1101	G4D1A0000129	TRANSFORMER	1	
△ VA1001	ERZV10D471C2	VARISTOR	1	
W201	ERJ6GEY0R00V	1/8W 0	1	
W202	ERJ6GEY0R00V	1/8W 0	1	
ZA1001	K9Z200001279	EARTH PLATE	1	
ZA1021	VSC6159	HEAT SINK	1	
ZA1022	XYN3+J8FJ	SCREW	1	
ZA1111	XYN3+J8FJ	SCREW	1	
ZA1112	VSC6221	HEAT SINK	1	

DMP-BDT300EG,EE vol.1

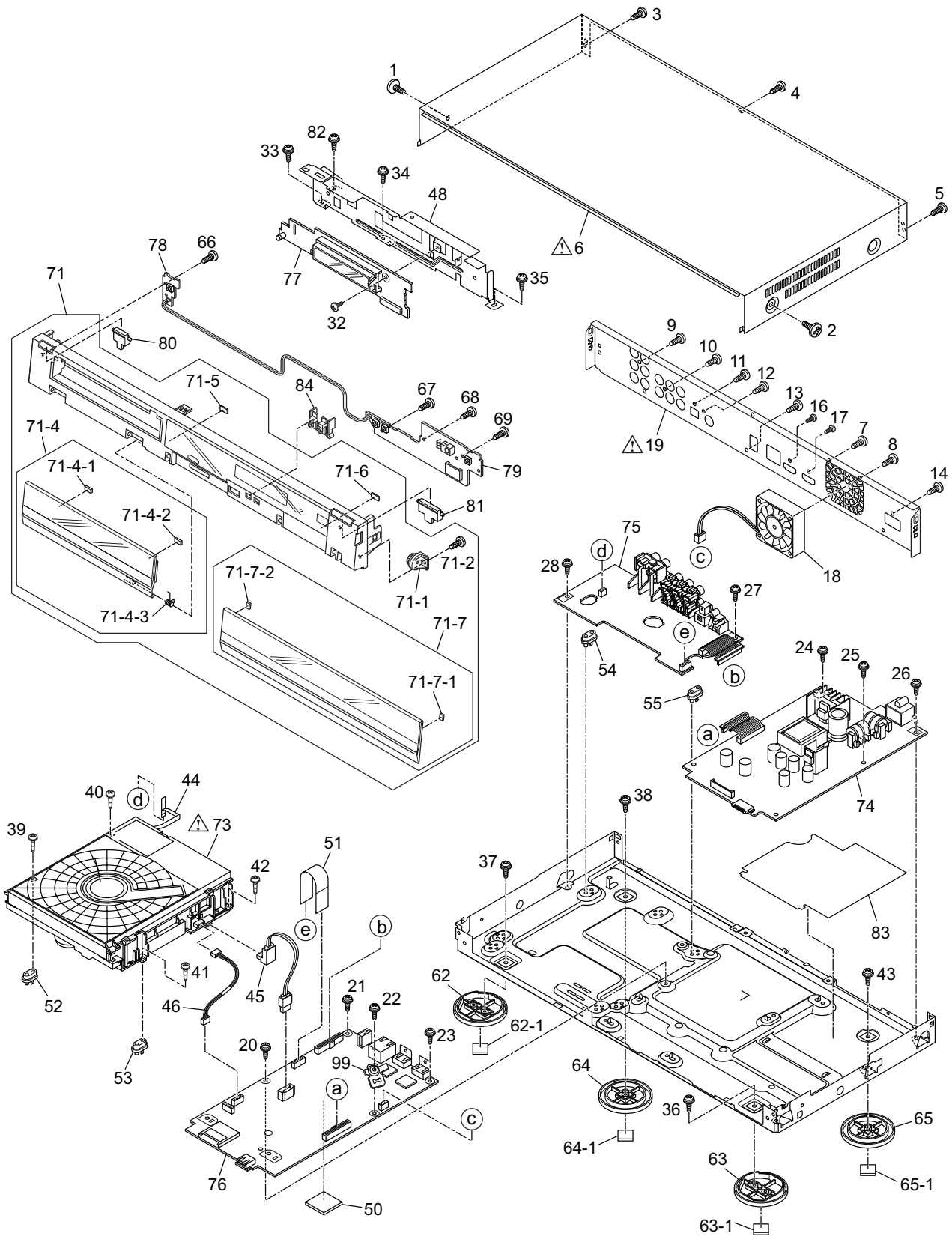
Ref.No.	Part No.	Part Name & Description	Pcs	Remarks	Ref.No.	Part No.	Part Name & Description	Pcs	Remarks
##	VEP74122A	AUDIO/VIDEO OUTPUT P.C.B.		(RTL) E.S.D.	Q4007	B1ABDF000033	TRANSISTOR	1	E.S.D.
C3804	F1H1C104A071	16V 0.1U	1		Q4008	B1ADCF000172	TRANSISTOR	1	E.S.D.
C3805	F2A0J470A831	6.3V 47U	1		Q4009	B1ABDF000033	TRANSISTOR	1	E.S.D.
C3806	F1H1C104A071	16V 0.1U	1		Q4010	B1ABDF000033	TRANSISTOR	1	E.S.D.
C3807	F1H1C104A071	16V 0.1U	1		Q4011	B1ABDF000033	TRANSISTOR	1	E.S.D.
C3808	F2A1A220A868	ALU ELEC CAPACITOR	1		QR4001	B1GDCFJ00037	TRANSISTOR	1	E.S.D.
C3809	F1H1A105A028	10V 1U	1		QR4002	B1GBCFJ00040	TRANSISTOR	1	E.S.D.
C3810	F1H1A105A028	10V 1U	1		R3803	ERJ3GEY0R00V	1/10W 0	1	
C3901	F2A0J221A831	ALU ELEC CAPACITOR	1		R3804	ERJ3GEYJ332V	1/10W 3.3K	1	
C3902	F1J1A225A003	10V 2.2U	1		R3901	ERJ3GEYF750V	1/10W 75	1	
C3903	F2A0J221A831	ALU ELEC CAPACITOR	1		R3902	ERJ3GEYF750V	1/10W 75	1	
C3904	F1J1A225A003	10V 2.2U	1		R3903	ERJ3GEYF750V	1/10W 75	1	
C3905	F2A0J331A832	6.3V 330P	1		R3904	ERJ3GEYF750V	1/10W 75	1	
C3906	F2A0J331A832	6.3V 330P	1		R4001	D0HD331ZA002	1/16W 330	1	
C3907	F1H1H103A748	CHIP CAPACITOR	1		R4002	ERJ3GEYJ473V	1/10W 47K	1	
C4002	F2A1C101B299	16V 100U	1		R4003	ERJ3GEYJ473V	1/10W 47K	1	
C4003	F0A2E1030004	250V 0.01U	1		R4004	ERJ3GEYJ473V	1/10W 47K	1	
C4004	F2A1E221A643	25V 220U	1		R4005	ERJ3GEYJ473V	1/10W 47K	1	
C4005	F0A2E1030004	250V 0.01U	1		R4006	ERJ3GEYJ473V	1/10W 47K	1	
C4006	F0A2E1030004	250V 0.01U	1		R4007	ERJ3GEYJ473V	1/10W 47K	1	
C4007	F0A2E1030004	250V 0.01U	1		R4008	D0HD821ZA002	1/10W 820	1	
C4008	F2A1C101B299	16V 100U	1		R4009	ERJ3GEYJ821V	1/10W 820	1	
C4009	F2A1E221A643	25V 220U	1		R4010	ERJ3GEYJ821V	1/10W 820	1	
C4010	F2A1C470B174	16V 47U	1		R4011	D0HD821ZA002	1/10W 820	1	
C4011	F2A1E470A205	25V 47U	1		R4012	D0HB821ZA002	1/16W 820	1	
C4012	F2A1E470A205	25V 47U	1		R4013	ERJ3GEYJ821V	1/10W 820	1	
C4013	F2A1E470A205	25V 47U	1		R4014	ERJ3GEYJ821V	1/10W 820	1	
C4014	F2A1C470B174	16V 47U	1		R4015	D0HB821ZA002	1/16W 820	1	
C4015	F2A1C470B174	16V 47U	1		R4016	D0HD821ZA002	1/10W 820	1	
C4016	F1H1H102A004	50V 1000P	1		R4017	ERJ3GEYJ821V	1/10W 820	1	
C4017	F1H1H102A004	50V 1000P	1		R4018	ERJ3GEYJ821V	1/10W 820	1	
C4018	F1H1H102A004	50V 1000P	1		R4019	D0HB821ZA002	1/16W 820	1	
C4019	F1H1H102A004	50V 1000P	1		R4020	ERJ6GEYJ221V	1/8W 220	1	
C4020	F1H1H102A004	50V 1000P	1		R4021	ERJ6GEYJ221V	1/8W 220	1	
C4021	F1H1H102A004	50V 1000P	1		R4022	ERJ3GEYJ221V	1/10W 220	1	
C4022	F2A1E470A205	25V 47U	1		R4023	ERJ3GEYJ221V	1/10W 220	1	
C4023	F1H1C104A071	16V 0.1U	1		R4024	ERJ3GEYJ221V	1/10W 220	1	
C4024	F1H1C104A071	16V 0.1U	1		R4025	ERJ3GEYJ221V	1/10W 220	1	
C4025	F1H1C104A071	16V 0.1U	1		R4026	ERJ3GEYJ102V	1/10W 1K	1	
C4026	F2A0J470A599	6.3V 47U	1		R4027	ERJ3GEYJ102V	1/10W 1K	1	
C4027	F1H1C104A071	16V 0.1U	1		R4028	ERJ3GEYJ102V	1/10W 1K	1	
C4028	F1H1C104A071	16V 0.1U	1		R4029	ERJ3GEYJ102V	1/10W 1K	1	
C4030	F1H1C104A071	16V 0.1U	1		R4030	ERJ6GEYJ391V	1/8W 390	1	
C4032	F2A1E221A643	25V 220U	1		R4031	ERJ3GEYJ750V	1/10W 75	1	
C4033	F1H1H102A004	50V 1000P	1		R4032	ERJ3GEYJ103V	1/10W 10K	1	
C4034	F1H1H102A004	50V 1000P	1		R4033	ERJ3GEYJ470V	1/10W 47	1	
C4035	F2A1C470B174	16V 47U	1		R4034	D0HD821ZA002	1/10W 820	1	
C4036	F2A1C470B174	16V 47U	1		R4035	ERJ6GEYJ221V	1/8W 220	1	
D4001	B0ADCH000007	DIODE	1	E.S.D.	R4036	ERJ3GEYJ821V	1/10W 820	1	
D4002	B0ADCH000007	DIODE	1	E.S.D.	R4037	D0HD821ZA002	1/10W 820	1	
D4003	B0ADCH000007	DIODE	1	E.S.D.	R4038	ERJ3GEYJ821V	1/10W 820	1	
D4004	B0ADCH000007	DIODE	1	E.S.D.	R4039	ERJ3GEYJ473V	1/10W 47K	1	
IC3801	C1AB00003225	IC	1	E.S.D.	R4040	ERJ3GEYJ473V	1/10W 47K	1	
IC4001	B3ZAZ0000017	IC	1	E.S.D.	R4041	ERJ6GEYJ221V	1/8W 220	1	
JK3901	K2HA208B0004	JACK, VIDEO/AUDIO OUT	1		R4042	ERJ3GEYJ103V	1/10W 10K	1	
JK4001	K2HA609B0017	CONNECTOR	1		W450	ERJ3GEY0R00V	1/10W 0	1	
JK4002	K2HA102B0097	JACK, COAXIAL	1		ZA4002	K9ZZ00001279	EARTH PLATE	1	
L3801	G1C100K00019	COIL	1		ZA4003	K9ZZ00001279	EARTH PLATE	1	
LB4001	J0JBC0000033	COIL	1		##	VEP70339C	FL P.C.B.		(RTL) E.S.D.
P3801	K1MN11AA0003	CONNECTOR(11P)	1		C7004	F1H1C104A071	16V 0.1U	1	
P3802	K1MN04AA0003	CONNECTOR(4P)	1		C7005	F1H1H104A783	50V 0.1U	1	
P4001	K1KY23AA0606	CONNECTOR(23P)	1		C7006	F1H1C104A071	16V 0.1U	1	
Q4001	B1BACD000011	TRANSISTOR	1	E.S.D.	D7003	B3AE0000100	LED	1	E.S.D.
Q4002	B1ABDF000033	TRANSISTOR	1	E.S.D.	DP7001	A2BD00000195	FL	1	
Q4003	B1ABDF000033	TRANSISTOR	1	E.S.D.	IC7001	C0HBB0000061	IC	1	E.S.D.
Q4004	B1ABDF000033	TRANSISTOR	1	E.S.D.					
Q4005	B1ABDF000033	TRANSISTOR	1	E.S.D.					
Q4006	B1ABDF000033	TRANSISTOR	1	E.S.D.					

DMP-BDT300EG,EE vol.1

Ref.No.	Part No.	Part Name & Description	Pcs	Remarks	Ref.No.	Part No.	Part Name & Description	Pcs	Remarks
1	RHD30113-1K	SCREW	1		75	VEP74122A	AUDIO/VIDEO OUTPUT P.C.B.	1	(RTL) E.S.D.
2	RHD30113-1K	SCREW	1		76	RFKB76219BT	DIGITAL P.C.B.	1	EG (RTL) E.S.D.
3	RHD30119-L	SCREW	1		76	RFKB76219DT	DIGITAL P.C.B.	1	EE (RTL) E.S.D.
4	RHD30119-L	SCREW	1		77	VEP70339C	FL P.C.B.	1	(RTL) E.S.D.
5	RHD30119-L	SCREW	1		78	VEP70340A	POWER SW P.C.B.	1	(RTL) E.S.D.
△ 6	RKM0616A-K	TOP CASE	1		79	VEP70341C	SW P.C.B.	1	(RTL) E.S.D.
7	RHD30119-L	SCREW	1		80	RGU2693-K	POWER BUTTON	1	
8	RHD30119-L	SCREW	1		81	RGU2694-K	OPEN BUTTON	1	
9	RHD30119-L	SCREW	1		82	RHD30105-1	SCREW	1	
10	RHD30119-L	SCREW	1		83	RMZ1111	BARRIER	1	
11	RHD30119-L	SCREW	1		84	RGU2660-KJ	PLAY BUTTON	1	
12	RHD30119-L	SCREW	1		99	RMA2052	DRIVE SPACER	1	
13	RHD30119-L	SCREW	1						
14	RHD30119-L	SCREW	1						
16	XSN3+4FJ	SCREW	1						
17	XSN3+4FJ	SCREW	1						
18	L6FAJBYG0001	DC FAN MOTORS	1						
△ 19	RGR0403A-B2	REAR PANEL	1	EG					
△ 19	RGR0403A-A2	REAR PANEL	1	EE					
20	RHD30111-31	SCREW	1						
21	RHD30111-31	SCREW	1						
22	RHD30111-31	SCREW	1						
23	RHD30111-31	SCREW	1						
24	RHD30111-31	SCREW	1						
25	RHD30111-31	SCREW	1						
26	RHD30111-31	SCREW	1						
27	RHD30111-31	SCREW	1						
28	RHD30111-31	SCREW	1						
32	RHD30111-31	SCREW	1						
33	RHD30111-31	SCREW	1						
34	RHD30111-31	SCREW	1						
35	RHD30111-31	SCREW	1						
36	RHD30111-31	SCREW	1						
37	RHD30111-31	SCREW	1						
38	RHD30111-31	SCREW	1						
39	RHD30162	SCREW	1						
40	RHD30162	SCREW	1						
41	RHD30162	SCREW	1						
42	RHD30162	SCREW	1						
43	RHD30111-31	SCREW	1						
44	VWJ2168-1	AV-DRIVE FFC	1						
45	VEE1H76	SATA SIGNAL CABLE U	1						
46	VEE1J01	BD DRIVE POWER CABLE	1						
48	RMA2257	CHASSIS ANGLE	1						
50	RSC0929	RADIATOR SHEET	1						
51	VWJ2145	AV-DIGITAL FFC	1						
52	RMX0436-J	DRIVE SPACER	1						
53	RMX0436-J	DRIVE SPACER	1						
54	RMX0436-J	DRIVE SPACER	1						
55	RMX0436-J	DRIVE SPACER	1						
62	RYQ0682A-K	LEG (A) UNIT	1						
62-1	RMG0771-K	RUBBER	1						
63	RYQ0682A-K	LEG (A) UNIT	1						
63-1	RMG0771-K	RUBBER	1						
64	RYQ0683A-K	LEG (B) UNIT	1						
64-1	RMG0771-K	RUBBER	1						
65	RYQ0683A-K	LEG (B) UNIT	1						
65-1	RMG0771-K	RUBBER	1						
66	RHD26045	SCREW	1						
67	RHD26045	SCREW	1						
68	RHD26045	SCREW	1						
69	RHD26045	SCREW	1						
71	RYP1582-K	FRONT PANEL UNIT	1						
71-1	RDG0639	DAMPER	1						
71-2	RHD26045	SCREW	1						
71-4	RYF0889A-K	TRAY DOOR UNIT	1						
71-4-1	RMG0802-K2	DOOR CUSHION	1						
71-4-2	RMG0802-K2	DOOR CUSHION	1						
71-4-3	RMB0916	BLINDER SPRING	1						
71-5	RMH0209	MAGNET	1						
71-6	RMH0209	MAGNET	1						
71-7	RYF0890E-K	DOOR PANEL UNIT	1						
71-7-1	RMG0802-K2	DOOR CUSHION	1						
71-7-2	RMG0802-K2	DOOR CUSHION	1						
△ 73	VXY2095	DRIVE UNIT	1	(RTL)					
74	VEP71182C	POWER P.C.B.	1	(RTL) E.S.D.					

S8. Exploded View

S8.1. Frame and Casing Section



S8.2. Mechanism Section

