

## S7. Replacement Parts List

Note:  1.\* Be sure to make your orders of replacement parts according to this list.

2. IMPORTANT SAFETY NOTICE

- Components identified with the mark  $\triangle$  have the special characteristics for safety.
- When replacing any of these components, use only the same type.

3. Unless otherwise specified,

- All resistors are in OHMS, K=1,000 OHMS. All capacitors are in MICRO-FARADS (uf), P=uuF.

4. The marking (RTL) indicates the retention time is limited for this item. After the discontinuation of this assembly in production, it will no longer be available.

**E.S.D. standards for Electrostatically Sensitive Devices, refer to “PREVENTION OF ELECTROSTATIC DISCHARGE (ESD) TO ELECTROSTATICALLY SENSITIVE (ES) DEVICES” section.**

DMP-BD60EB-K

Ref.No.	Part No.	Part Name & Description	Pcs	Remarks
##	VEP74117B	AUDIO OUT P.C.B.	1	(RTL)BD80
C4002	ECJ1VB1C104K	16V 0.1U	1	BD80
C4003	F2A0J470A599	6.3V 47U	1	BD80
C4005	F2A1E101B216	25V 100U	1	BD80
C4006	ECJ1VB1C104K	16V 0.1U	1	BD80
C4007	ECJ1VB1C104K	16V 0.1U	1	BD80
C4008	ECJ1VB1C104K	16V 0.1U	1	BD80
C4009	ECJ1VC1H102J	50V 1000P	1	BD80
C4010	ECJ1VB1C104K	16V 0.1U	1	BD80
C4011	ECJ1VC1H102J	50V 1000P	1	BD80
C4012	F2A1E101B216	25V 100U	1	BD80
C4015	F2A0J470A947	6.3V 47U	1	BD80
C4016	ECJ1VC1H102J	50V 1000P	1	BD80
C4017	ECJ1VC1H102J	50V 1000P	1	BD80
C4018	F2A0J470A947	6.3V 47U	1	BD80
C4019	F0A2E103A012	250V 0.01U	1	BD80
C4020	F2A1C101B299	16V 100U	1	BD80
C4025	F2A0J470A947	6.3V 47U	1	BD80
C4026	ECJ1VC1H102J	50V 1000P	1	BD80
C4027	F2A1E221A643	25V 220U	1	BD80
C4028	F0A2E103A012	250V 0.01U	1	BD80
C4029	ECJ1VC1H102J	50V 1000P	1	BD80
C4031	F0A2E103A012	250V 0.01U	1	BD80
C4032	F2A1E221A643	25V 220U	1	BD80
C4033	F2A0J470A947	6.3V 47U	1	BD80
C4034	F0A2E103A012	250V 0.01U	1	BD80
C4035	F2A1E221A643	25V 220U	1	BD80
C4036	F2A1E221A643	25V 220U	1	BD80
C4037	F2A1E221A643	25V 220U	1	BD80
C4039	F2A1E470A205	25V 47U	1	BD80
JK4001	K2HA609B0012	JACK	1	BD80
JK4002	K2HA102B0095	JACK	1	BD80
P4001	K1KA23A00003	CONNECTOR(23P)	1	BD80
Q4001	2SD1819K0L	TRANSISTOR	1	BD80
Q4002	2SD1819K0L	TRANSISTOR	1	BD80
Q4003	2SD1819K0L	TRANSISTOR	1	BD80
Q4004	2SD1819K0L	TRANSISTOR	1	BD80
Q4005	B1BACD000011	TRANSISTOR	1	BD80
Q4006	2SD1819K0L	TRANSISTOR	1	BD80
Q4007	2SD1819K0L	TRANSISTOR	1	BD80
Q4008	B1BCCD000013	TRANSISTOR	1	BD80
Q4009	2SD0601A0L	TRANSISTOR	1	BD80
Q4010	2SB1218K0L	TRANSISTOR	1	BD80
QR4001	XN0431100L	TRANSISTOR	1	BD80
QR4002	XN0431100L	TRANSISTOR	1	BD80
R4001	ERJ6GEYJ221V	1/8W 220	1	BD80
R4002	D0HD821ZA002	1/10W 820	1	BD80
R4003	ERJ3GEYJ473V	1/10W 47K	1	BD80
R4004	ERJ3GEYJ821V	1/10W 820	1	BD80
R4005	ERJ3GEYJ473V	1/10W 47K	1	BD80
R4006	ERJ3GEYJ821V	1/10W 820	1	BD80
R4007	ERJ6GEYJ221V	1/8W 220	1	BD80
R4008	D0HD821ZA002	1/10W 820	1	BD80
R4009	ERJ3GEYJ221V	1/10W 220	1	BD80
R4010	D0HB821ZA002	1/16W 820	1	BD80
R4011	ERJ3GEYJ473V	1/10W 47K	1	BD80
R4012	ERJ3GEYJ821V	1/10W 820	1	BD80
R4013	ERJ3GEYJ473V	1/10W 47K	1	BD80
R4014	ERJ3GEYJ821V	1/10W 820	1	BD80
R4015	ERJ3GEYJ221V	1/10W 220	1	BD80
R4016	D0HB821ZA002	1/16W 820	1	BD80
R4017	ERJ3GEYJ221V	1/10W 220	1	BD80
R4018	D0HB821ZA002	1/16W 820	1	BD80
R4019	ERJ3GEYJ821V	1/10W 820	1	BD80
R4020	ERJ3GEYJ473V	1/10W 47K	1	BD80
R4021	ERJ3GEYJ473V	1/10W 47K	1	BD80
R4022	ERJ3GEYJ821V	1/10W 820	1	BD80
R4023	D0HD331ZA002	1/16W 330	1	BD80
R4024	ERJ3GEYJ221V	1/10W 220	1	BD80
R4025	D0HB821ZA002	1/16W 820	1	BD80

Ref.No.	Part No.	Part Name & Description	Pcs	Remarks
R4026	D0HD331ZA002	1/16W 330	1	BD80
R4041	ERJ3GEYJ102V	1/10W 1K	1	BD80
R4042	ERJ3GEYJ102V	1/10W 1K	1	BD80
R4043	ERJ3GEYJ102V	1/10W 1K	1	BD80
R4044	ERJ6GEYJ391V	1/8W 390	1	BD80
R4045	ERJ3GEYJ750V	1/10W 75	1	BD80
R4046	ERJ3GEYJ103V	1/10W 10K	1	BD80
R4047	ERJ3GEYJ102V	1/10W 1K	1	BD80
##	VEP71155A	POWER P.C.B.	1	(RTL)BD60
##	VEP71155B	POWER P.C.B.	1	(RTL)BD80
△ C1001	ECQU2A683MLC	0.068U	1	
△ C1005	F1B2G4710001	100V 470U	1	
△ C1006	F1B2G4710001	100V 470U	1	
△ C1007	ECQU2A223MLC	0.022U	1	
C1014	F2B2W4700003	450V 47U	1	
△ C1018	F1B2G6810001	100V 680U	1	
△ C1019	ECKWNA102MEV	1000P	1	
C1021	F1A3D221A010	2KV 220P	1	
C1023	ECJ1VB1H102K	50V 1000P	1	
C1024	ECJ1VC1H101J	50V 100P	1	
C1025	F2A1V6800002	35V 68U	1	
C1026	ECJ1VB1H102K	50V 1000P	1	
C1027	ECJ1VB1H102K	50V 1000P	1	
C1028	F2A1E100A210	25V 10P	1	
C1029	ERJ3GEY0R00V	1/10W 0	1	
C1113	F1H1C105A095	16V 1U	1	
C1114	ECJ1VB1C104K	16V 0.1U	1	
C1117	F1H1C105A095	16V 1U	1	
C1118	F2A1C1520021	16V 1500U	1	
C1120	ECJ1VB1H103K	50V 0.01U	1	
C1121	F2A1C1520021	16V 1500U	1	
C1122	F2A1A5600003	10V 56U	1	
C1123	F2A1H1010044	50V 100U	1	
C1124	ECJ1VB1C104K	16V 0.1U	1	
C1125	F2A1C102A236	16V 1000U	1	BD60
C1125	F2A1C102B607	16V 1000U	1	BD80
C1126	F1H1E104A030	25V 0.1U	1	
C1127	F2A1H220A234	50V 22U	1	
C1128	F1H1A105A028	10V 1U	1	
C1132	F2A1E1010099	25V 100P	1	
C1133	F2A1C4710079	16V 470U	1	
C1135	ECJ1VB1C104K	16V 0.1U	1	
C1136	ECJ1VB1C104K	16V 0.1U	1	
C1138	ECJ1VB1C104K	16V 0.1U	1	
C1140	ECJ1VC1H181J	50V 180P	1	
C1141	F2A1A470A388	10V 47U	1	
C1143	F2A1A101A389	10V 100U	1	
C1146	ECJ1VB1H103K	50V 0.01U	1	
C1150	F2A1A6810022	10V 680U	1	
C1151	ECJ1VB1C104K	16V 0.1U	1	
C1152	F2A1E221A643	25V 220U	1	BD80
C1153	ECJ1VB1C104K	16V 0.1U	1	BD80
C1154	F2A1E221A643	25V 220U	1	BD80
C7001	ECJ1VB1H103K	50V 0.01U	1	
C7002	F1H1A105A028	10V 1U	1	
C7003	F1H1A105A028	10V 1U	1	
C7004	ECJ1VB1C104K	16V 0.1U	1	
C7005	ECJ1VF1H104Z	50V 0.1U	1	
C7006	ECJ1VB1C104K	16V 0.1U	1	
D1006	B0EDKT000009	DIODE	1	
D1021	MAZ73000BC	DIODE	1	
D1022	MAZJ1110GL	DIODE	1	
D1023	MAZ73000BC	DIODE	1	
D1025	MAZ41600MF	DIODE	1	
D1026	B0JAML000011	DIODE	1	
D1027	B0HAGM000006	DIODE	1	
D1029	MAZ41200MF	DIODE	1	
D1031	B0BB17000004	DIODE	1	
D1107	B0AADM000003	DIODE	1	
D1108	B0JAME000025	DIODE	1	
D1110	B0JBSL000002	DIODE	1	
D1113	MAZ42200LF	DIODE	1	
D1122	B0JCPD000021	DIODE	1	

DMP-BD60EB-K

Ref.No.	Part No.	Part Name & Description	Pcs	Remarks	Ref.No.	Part No.	Part Name & Description	Pcs	Remarks
D1123	B0JCPD000021	DIODE	1		R1035	ERJ3RBD102V	1/16W 1K	1	
D1125	B0JAML000004	DIODE	1	BD80	R1104	ERJ3GEYJ472V	1/10W 4.7K	1	
D1126	MAZ41200HF	DIODE	1	BD80	R1111	ERJ3GEYJ102V	1/10W 1K	1	
D1127	MAZ73000BC	DIODE	1		R1112	ERJ3GEYJ222V	1/10W 2.2K	1	
D1128	MAZ41000MF	DIODE	1		R1113	ERJ3GEYJ103V	1/10W 10K	1	
D7001	MAZ41800MF	DIODE	1		R1115	ERJ3RBD472V	1/16W 4.7K	1	
DP7001	A2BD00000188	DISPLAY TUBE	1		R1116	ERJ3GEYJ222V	1/10W 2.2K	1	
△ F1001	K5D202BK0005	FUSE	1		R1117	ERDS2TJ101T	1/4W 100	1	
IC1021	C0DACZH00038	IC	1		R1118	ERJ3RBD301V	1/16W 300	1	
IC1101	C0DAEY00022	IC	1		R1119	ERJ3RBD183V	1/16W 18K	1	
IC1102	C0CBCAD00092	IC	1		R1120	ERJ3GEYJ472V	1/10W 4.7K	1	
IC1103	C0DBAZZ00132	IC	1		R1121	ERJ3GEYJ223V	1/10W 22K	1	
IC1104	C0DAEYH00002	IC	1		R1122	ERJ3GEYR00V	1/10W 0	1	
IC7001	C0HBB0000057	IC	1		R1123	ERJ3GEYJ223V	1/10W 22K	1	
IC7002	C0CBCBD00008	IC	1		R1129	ERJ3GEYJ513V	1/10W 51K	1	
△ IP1101	K5H122Z00003	IC PROTECTOR	1		R1130	D1BDR027A101	2W 0.027U	1	
△ IP1102	K5H102Z00006	IC PROTECTOR	1		R1136	ERJ3RBD152V	1/16W 1.5K	1	
△ IP1105	K5H172Z00003	IC PROTECTOR	1	BD80	R1137	ERJ3RBD393V	1/16W 39K	1	
K7004	ERJ3GEYR00V	1/10W 0	1		R1138	ERJ3RBD113V	1/16W 11K	1	
△ L1001	G0B233D00005	COIL	1		R1141	ERJ3RBD222V	1/16W 2.2K	1	
△ L1002	G0B233D00005	COIL	1		R1142	ERJ3RBD822V	1/16W 8.2K	1	
L1103	G0A100H00025	COIL 10UH	1		R1143	ERJ3RBD272V	1/16W 2.7K	1	
L1104	G0C100K00043	COIL 10UH	1		R1146	ERJ6GEYR00V	1/8W 0	1	
L1105	G0A150ZA0041	COIL 15UH	1		R1150	ERJ3GEYR00V	1/10W 0	1	BD80
L1107	G0C330KA0065	COIL 33UH	1	BD80	R1151	ERJ3GEYJ221V	1/10W 220	1	BD80
LB1021	J0JKB0000003	COIL	1		R1152	ERJ6GEYR00V	1/8W 0	1	BD80
LB1103	J0JHC0000048	FILTER	1		R1161	ERDS2TJ821T	1/4W 820	1	
LB1104	J0JHC0000048	FILTER	1		R1162	ERDS2TJ821T	1/4W 820	1	
LB1107	J0JHC0000048	FILTER	1		R1163	ERDS2TJ821T	1/4W 820	1	
LB1111	J0JHC0000048	FILTER	1		R1164	ERDS2TJ821T	1/4W 820	1	
LB1112	J0JHC0000048	FILTER	1		R1165	ERDS2TJ821T	1/4W 820	1	
LB7001	ERJ6GEYR00V	1/8W 0	1		R1166	ERJ3GEYJ821V	1/10W 820	1	
LB7002	ERJ6GEYR00V	1/8W 0	1		R1167	ERJ3GEYR00V	1/10W 0	1	
LB7003	ERJ6GEYR00V	1/8W 0	1		R7002	ERJ3GEYR00V	1/10W 0	1	
△ P1001	K2AA2H000007	AC INLET	1		R7003	ERJ3GEYR00V	1/10W 0	1	
P1102	K1KA13AA0185	CONNECTOR(13P)	1	BD60	R7004	ERJ3GEYR00V	1/10W 0	1	
P1102	K1KA14AA0185	CONNECTOR(14P)	1	BD80	R7005	ERJ3GEYR00V	1/10W 0	1	
P7001	K1KB06B00033	CONNECTOR(6P)	1		R7006	ERJ3GEYJ272V	1/10W 2.7K	1	
P7003	K1KA03AA0301	CONNECTOR(3P)	1		R7007	ERJ3GEYJ562V	1/10W 5.6K	1	
P7004	K1KA04AA0301	CONNECTOR(4P)	1		R7009	ERJ3GEYJ104V	1/10W 100K	1	
△ Q1022	B3PBA0000454	TRANSISTOR	1		R7010	ERJ3GEYJ103V	1/10W 10K	1	
△ Q1023	B3PBA0000454	TRANSISTOR	1		R7011	ERJ3RBD471V	1/16W 470	1	
Q1101	2SA1309ARA	TRANSISTOR	1		△ T1001	G4D2A0000308	TRANSFORMER	1	
Q1102	B1DHED000008	TRANSISTOR	1		△ VA1001	ERZV05Z471CS	VARIATOR	1	
Q1104	B1DHED000008	TRANSISTOR	1		W501	ERJ3GEYR00V	1/10W 0	1	
Q1106	2SB1320ARA	TRANSISTOR	1	BD80	ZA1001	K3GE1ZA00010	FUSE HOLDER	1	
Q1107	2SC3311ASA	TRANSISTOR	1		ZA1002	K3GE1ZA00010	FUSE HOLDER	1	
Q7001	2SB0710A0L	TRANSISTOR	1		ZA1003	K9ZZ00001279	EARTH PLATE	1	
Q7003	B1ABGC000011	TRANSISTOR	1		ZA1004	K9ZZ00001279	EARTH PLATE	1	
QR1101	UNR52A2J0L	TRANSISTOR	1		ZA1005	K9ZZ00001279	EARTH PLATE	1	
QR1102	UNR52A3J0L	TRANSISTOR	1		ZA1021	VSC5603-A	HEAT SINK	1	
QR1105	UNR52A2J0L	TRANSISTOR	1		ZA1022	XYN3+J8FJ	SCREW	1	
QR7001	UNR52A3J0L	TRANSISTOR	1		ZA1110	VSC5604-A	HEAT SINK	1	
QR7003	UNR51A3J0L	TRANSISTOR	1		ZA1111	XYN3+J8FJ	SCREW	1	
QR7004	UNR52A3J0L	TRANSISTOR	1		ZB7001	RMN0913-J	FL HOLDER	1	
R1023	ERJ3GEYJ153V	1/10W 15K	1		##	VEP76191C	FRONT P.C.B.	1	(RTL)BD60
R1024	ERJ3RBD123V	1/16W 12K	1		##	VEP76191D	FRONT P.C.B.	1	(RTL)BD80
R1025	ERJ3RBD102V	1/16W 1K	1		C7202	F1H1A1050029	10V 1U	1	
R1026	ERDS2TJ221T	1/4W 220	1		D7201	B3AEA0000099	LED	1	BD80
R1028	ERJ3GEYJ100V	1/10W 10	1		IR7201	B3RAD0000150	REMOTE SENSOR	1	
R1029	ERJ3GEYJ100V	1/10W 10	1		P7201	K1KA10B00196	CONNECTOR(10P)	1	
R1030	ERJ3GEYJ152V	1/10W 1.5K	1		P7202	K1KA06B00150	CONNECTOR(6P)	1	
R1031	ERJ3GEYJ224V	1/10W 220K	1		PJ7203	REZ1927	WIRE	1	
R1032	ERJ3RBD163V	1/16W 16K	1		PJ7204	REZ1926	WIRE	1	
R1033	ERJ3RBD163V	1/16W 16K	1						
R1034	ERJ3RBD153V	1/16W 15K	1						

DMP-BD60EB-K

Ref.No.	Part No.	Part Name & Description	Pcs	Remarks
R7201	ERJ3RBD222V	1/16W 2.2K	1	
R7202	ERJ3RBD392V	1/16W 3.9K	1	
R7203	ERJ3RBD222V	1/16W 2.2K	1	
R7204	ERJ3RBD392V	1/16W 3.9K	1	
R7205	ERJ3GEYJ330V	1/10W 33	1	
R7206	ERJ3GEYR000V	1/10W 0	1	
R7207	ERJ6GEYJ301V	1/8W 300	1	BD80
S7202	EVQ11A04M	SWITCH,PLAY	1	
S7204	EVQ11A04M	SWITCH,PAUSE	1	
S7206	EVQ11A04M	SWITCH,STOP	1	
W7501	ERJ3GEYR000V	1/10W 0	1	
W7502	ERJ3GEYR000V	1/10W 0	1	
W7503	ERJ6GEYR000V	1/8W 0	1	
W7504	ERJ6GEYR000V	1/8W 0	1	
W7505	ERJ3GEYR000V	1/10W 0	1	
W7506	ERJ6GEYR000V	1/8W 0	1	
##	VEP70292A	POWER SW P.C.B.	1	(RTL)
S7551	EVQ11A04M	SWITCH,POWER	1	
##	VEP70293A	OPEN SW P.C.B.	1	(RTL)
S7581	EVQ11A04M	SWITCH,OPEN/CLOSE	1	
##		CASING/ACCESSORY/PACKING		
1	VEP71155A	POWER P.C.B.	1	(RTL)BD60
1	VEP71155B	POWER P.C.B.	1	(RTL)BD80
2	VEP74117B	AUDIO OUT P.C.B.	1	(RTL)BD80
4	VWJ2058-1	FFC(18P)	1	
5	L6FAGC9E0002	FAN MOTOR	1	
△ 6	RGR0389A-P1	REAR PANEL	1	60EBK 60EFK 60EGK 60EGS
△ 6	RGR0389A-Q1	REAR PANEL	1	60EEK
△ 6	RGR0389B-F1	REAR PANEL	1	BD80
7	RMA2159-J	FRONT ANGLE	1	
8	RMN0091	PCB SUPPORT	1	
9	RMX0437	INSULATION SHEET	1	
10	RMZ0975-J	BARRIER	1	
11	RSC0851	HEAT TRANSFER SHEET	1	
12	RQLC1025	CAUTION LABEL	1	BD80
13	RSC0854	HEAT TRANSFER SHEET	1	
14	RYQ0684-H	LEG	1	BD80
15	RYQ0684-H	LEG	1	BD80
16	RYQ0684-H	LEG	1	BD80
17	RYQ0684-H	LEG	1	BD80
18	RKA0206A-KJ	FOOT RUBBER	1	BD60
19	RKA0206A-KJ	FOOT RUBBER	1	BD60
20	RKA0206A-KJ	FOOT RUBBER	1	BD60
21	RKA0206A-KJ	FOOT RUBBER	1	BD60
22	VJF0882	CLAMPER	1	
23	RYP1461C-K	FRONT PANEL ASS'Y1	1	60EBK 60EEK 60EFK 60EGK
23	RYP1461C-S	FRONT PANEL ASS'Y1	1	60EGS
23	RYP1462B-K	FRONT PANEL ASS'Y1	1	BD80
23-1	RGQ0512A-WJ	SD PANEL LIGHT	1	BD80
23-2	RGU2605A-KJ	OPERATION BUTTON	1	(K)
23-2	RGU2605S-J	OPERATION BUTTON	1	(S)
23-3	RGU2627A-KJ	POWER BUTTON	1	(K)
23-3	RGU2627A-SJ	POWER BUTTON	1	(S)
23-4	RGU2628-KJ	OPEN/CLOSE BUTTON	1	(K)
23-4	RGU2628-SJ	OPEN/CLOSE BUTTON	1	(S)
23-5	RKW0892-QJ	FRONT WINDOW	1	BD60
23-5	RKW0894-QJ	FRONT WINDOW	1	BD80
23-6	RYF0846C-KJ	DOOR ASSY	1	60EBK 60EEK 60EFK 60EGK
23-6	RYF0846-SJ	DOOR ASSY	1	60EGS
23-6	RYF0846A-KJ	DOOR ASSY	1	BD80
23-7	RYF0853-KJ	TRAY DOOR ASSY	1	BD60
23-7	RYF0854-KJ	TRAY DOOR ASSY	1	BD80
23-7-1	RMB0877	TRAY DOOR SPRING	1	
23-7-2	RMG0735-K	CUSHION	1	
23-7-3	RMG0735-K	CUSHION	1	
23-8	RYK1558-QJ	FL WINDOW ASSY	1	BD60

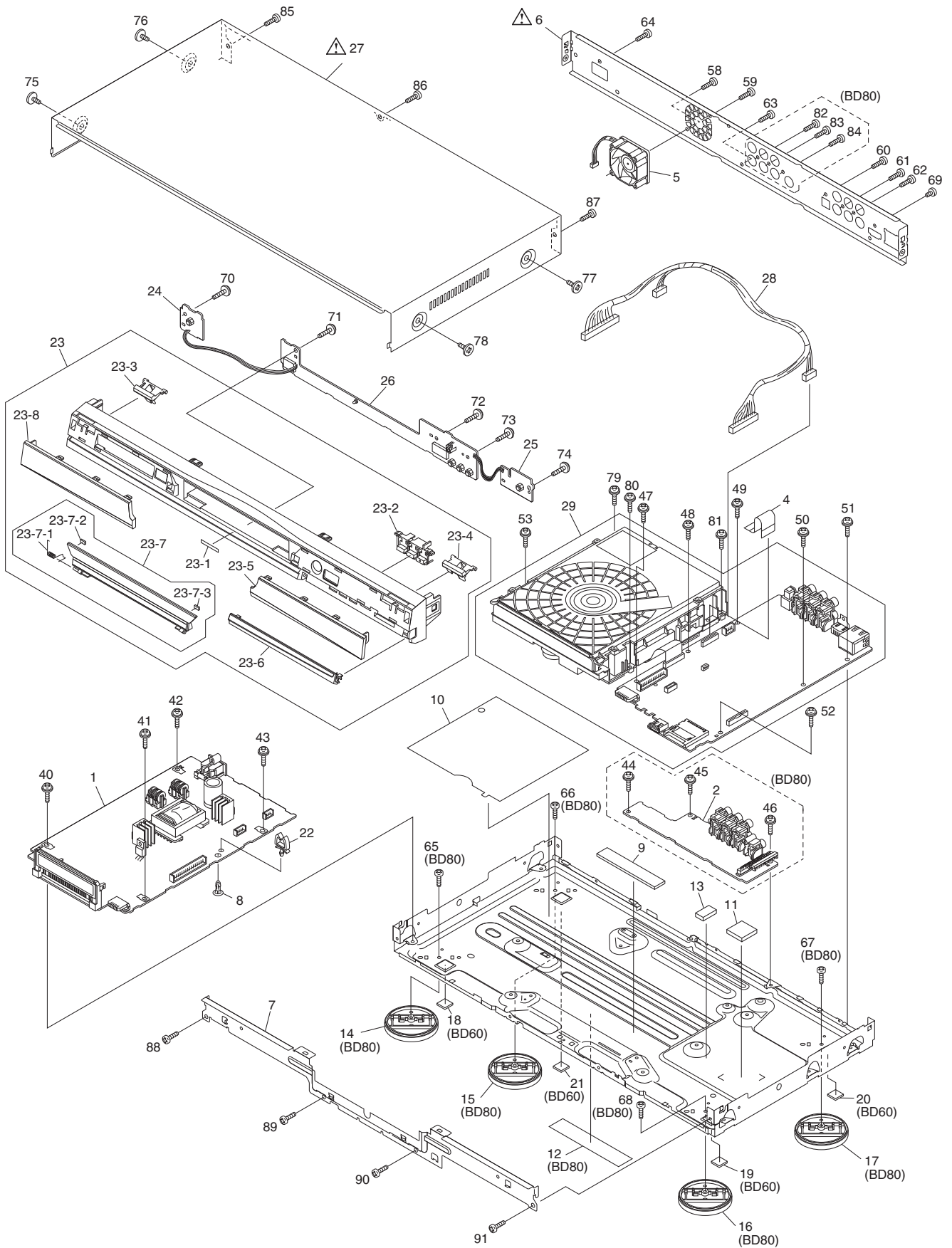
Ref.No.	Part No.	Part Name & Description	Pcs	Remarks
23-8	RYK1558-QJ	FL WINDOW ASSY	1	BD80
24	VEP70292A	POWER SW P.C.B.	1	(RTL)
25	VEP70293A	OPEN SW P.C.B.	1	(RTL)
26	VEP76191C	FRONT P.C.B.	1	(RTL)BD60
26	VEP76191D	FRONT P.C.B.	1	(RTL)BD80
△ 27	RKM0605-KJ	TOP CASE	1	(K)
△ 27	RKM0605-SJ	TOP CASE	1	(S)
28	VEK0N34	WIRE WITH CONNECTOR	1	BD60
28	VEK0N38	WIRE WITH CONNECTOR	1	BD80
29	RFKNBD60EB	BDP/DIGITAL P.C.B. MODULE	1	60EB
29	RFKNBD60EE	BDP/DIGITAL P.C.B. MODULE	1	60EE
29	RFKNBD60EF	BDP/DIGITAL P.C.B. MODULE	1	60EF
29	RFKNBD60EG	BDP/DIGITAL P.C.B. MODULE	1	60EG
29	RFKNBD80EB	BDP/DIGITAL P.C.B. MODULE	1	80EB
29	RFKNBD80EG	BDP/DIGITAL P.C.B. MODULE	1	80EG
40	RHD30101-1	SCREW	1	
41	RHD30101-1	SCREW	1	
42	RHD30101-1	SCREW	1	
43	RHD30101-1	SCREW	1	
44	RHD30101-1	SCREW	1	BD80
45	RHD30101-1	SCREW	1	BD80
46	RHD30101-1	SCREW	1	BD80
47	RHD30101-1	SCREW	1	
48	RHD30101-1	SCREW	1	
49	RHD30101-1	SCREW	1	
50	RHD30101-1	SCREW	1	
51	RHD30101-1	SCREW	1	
52	RHD30101-1	SCREW	1	
53	RHD30101-1	SCREW	1	
58	RHD30119-L	SCREW	1	
59	RHD30119-L	SCREW	1	
60	RHD30119-L	SCREW	1	
61	RHD30119-L	SCREW	1	
62	RHD30119-L	SCREW	1	
63	RHD30119-L	SCREW	1	
64	RHD30119-L	SCREW	1	
65	RHD30105-1	SCREW	1	BD80
66	RHD30105-1	SCREW	1	BD80
67	RHD30105-1	SCREW	1	BD80
68	RHD30105-1	SCREW	1	BD80
69	XSN3+4FJ	SCREW	1	
70	RHD26045	SCREW	1	
71	RHD26045	SCREW	1	
72	RHD26045	SCREW	1	
73	RHD26045	SCREW	1	
74	RHD26045	SCREW	1	
75	RHD30113-1K	SCREW	1	(K)
75	RHD30113	SCREW	1	(S)
76	RHD30113-1K	SCREW	1	(K)
76	RHD30113	SCREW	1	(S)
77	RHD30113-1K	SCREW	1	(K)
77	RHD30113	SCREW	1	(S)
78	RHD30113-1K	SCREW	1	(K)
78	RHD30113	SCREW	1	(S)
79	RHD30101-1	SCREW	1	
80	RHD30101-1	SCREW	1	
81	RHD30101-1	SCREW	1	
82	RHD30119-L	SCREW	1	BD80
83	RHD30119-L	SCREW	1	BD80
84	RHD30119-L	SCREW	1	BD80
85	VHD0690-1	SCREW	1	(K)
85	RHD30119-L	SCREW	1	(S)
86	VHD0690-1	SCREW	1	(K)
86	RHD30119-L	SCREW	1	(S)
87	VHD0690-1	SCREW	1	(K)
87	RHD30119-L	SCREW	1	(S)
88	RHD30102-1	SCREW	1	
89	RHD30102-1	SCREW	1	
90	RHD30102-1	SCREW	1	
91	RHD30102-1	SCREW	1	
##	M2		1	(RTL)
△ 101	VQL1V70-J	LASER CAUTION LABEL	1	
102	VMA0V86	YOKE	1	
103	VMD5751	UPPER BASE	1	

DMP-BD60EB-K

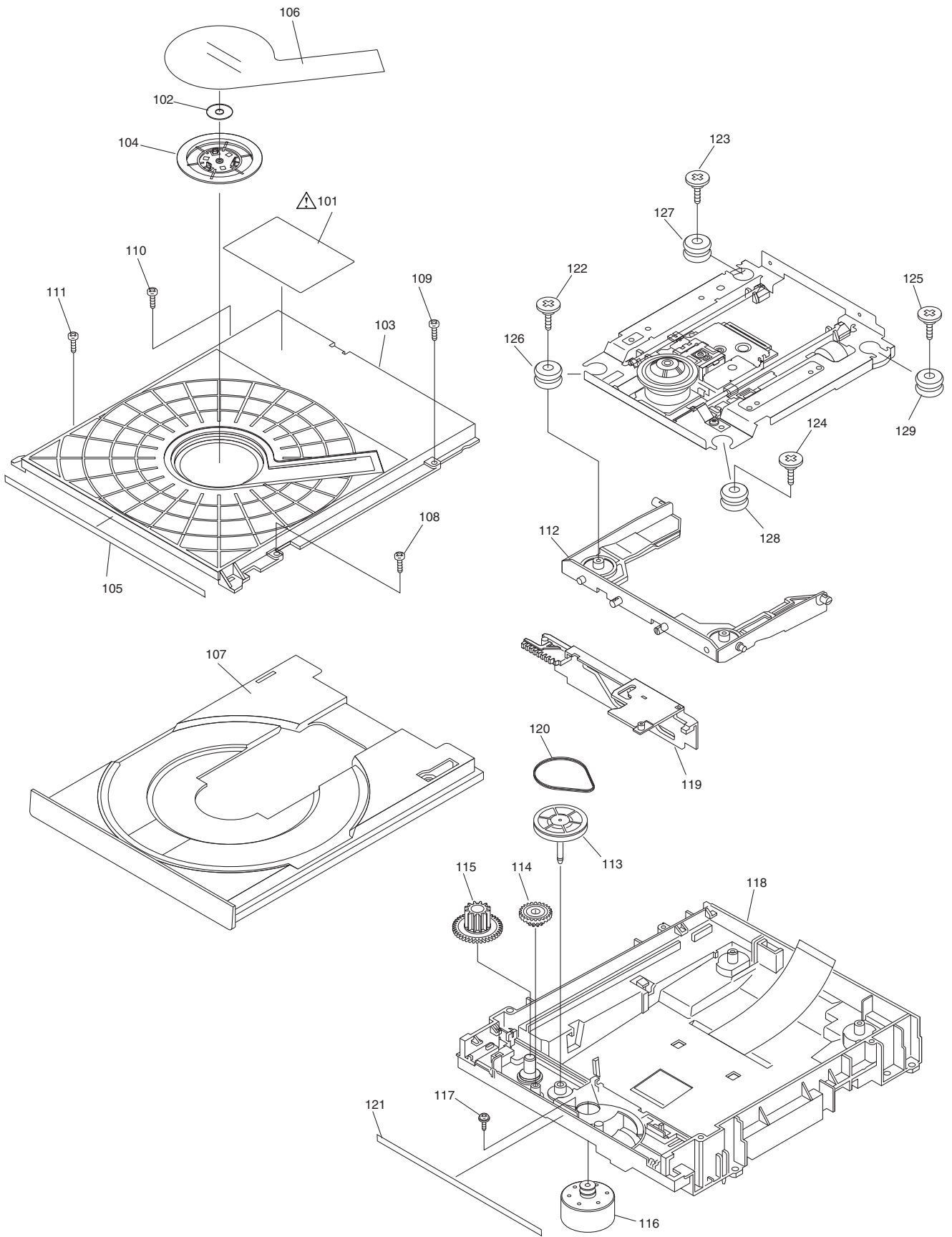
Ref.No.	Part No.	Part Name & Description	Pcs	Remarks	Ref.No.	Part No.	Part Name & Description	Pcs	Remarks
104	VMD5752	CLAMPER	1						
105	VMT1876-J	DUST COVER A	1						
106	VMZ3737-J	CLAMP COVER	1						
107	VXA8619	TRAY ASS'Y	1						
108	XTV26+10GFJ	SCREW	1						
109	XTV26+10GFJ	SCREW	1						
110	XTV26+10GFJ	SCREW	1						
111	XTV26+10GFJ	SCREW	1						
112	VMD5753	MID BASE	1						
113	VDG1713	PULLEY GEAR	1						
114	VDG1714	MID GEAR	1						
115	VDG1715	DRIVE GEAR	1						
116	VEM0867	LOADING MOTOR U	1						
117	VHD1653-1	SCREW	1						
118	VMD5748-1	MECHA CHASSIS	1						
119	VMD5749	SLIDE CAM	1						
120	VMG1809	BELT	1						
121	VMT1877-J	DUST COVER B	1						
122	VHD1518-1	SCREW	1						
123	VHD1518-1	SCREW	1						
124	VHD1518-1	SCREW	1						
125	VHD1518-1	SCREW	1						
126	VMG1883	DAMPER	1						
127	VMG1883	DAMPER	1						
128	VMG1883	DAMPER	1						
129	VMG1883	DAMPER	1						
##	M3		1	(RTL)					
△ A1	K2CT3CA00004	AC CORD	1	(EB)					
△ A1	RJA0043-1C	AC CORD	1	(EXCEPT EB)					
A3	K2KA2BA00003	AV CORD	1						
A4	N2QAYB000380	REMOTE CONTROLLER UNIT	1						
A4-1	100300037800	BATTERY COVER	1						
A5	RPQF0335	ACCESSORY BOX	1	(EXCEPT EG)					
A5	RPQFD0008	ACCESSORY BOX	1	(EG)					
A6	RPF00008	POLYETHYLENE BAG	1	(EXCEPT EG)					
A6	RPF00009	POLYETHYLENE BAG	1	(EG)					
△ A7	RQT9401-B	OPERATING INSTRUCTIONS	1	60EB 60EG 80EB 80EG (IB)					
△ A7	RQT9405-R	OPERATING INSTRUCTIONS	1	60EE (IA)					
△ A7	RQT9402-E	OPERATING INSTRUCTIONS	1	60EF 60EG 80EG (IC)					
△ A7	RQT9403-D	OPERATING INSTRUCTIONS	1	60EG 80EG (ID)					
△ A7	RQT9404-H	OPERATING INSTRUCTIONS	1	60EG 80EG (IE)					
A8	RPQD0003	PAD (C)	1						
PC1	RPG8747	PACKING CASE	1	60EBK					
PC1	RPG8749	PACKING CASE	1	60EEK					
PC1	RPG8748	PACKING CASE	1	60EFK					
PC1	RPG8745	PACKING CASE	1	60EGK					
PC1	RPG8746	PACKING CASE	1	60EGS					
PC1	RPG8751	PACKING CASE	1	80EBK					
PC1	RPG8750	PACKING CASE	1	80EGK					
PC2	RPF00004-1	MIRAMAT BAG	1						
PC3	RPN2101-J	CUSHION	1	(EXCEPT EG)					
PC3	RPN2084-J	CUSHION	1	(EG)					
PC5	RPQ2438	PAD	1	(EG)					

# S8. Exploded View

## S8.1. Frame and Casing Section



## S8.2. Mechanism Section



### S8.3. Packing Parts and Accessories Section

