

S6. Replacement Parts List

- Note:
1. * Be sure to make your orders of replacement parts according to this list.
 2. IMPORTANT SAFETY NOTICE
Components identified with the mark \triangle have the special characteristics for safety.
When replacing any of these components, use only the same type.
 3. Unless otherwise specified,
All resistors are in OHMS, K=1,000 OHMS. All capacitors are in MICRO-FARADS (uf), P=uuF.
 4. The marking (RTL) indicates the retention time is limited for this item. After the discontinuation of this assembly in production, it will no longer be available.
 5. Supply of CD-ROM, in accordance with license protection, is allowable as replacement parts only for customers who accidentally damaged or lost their own.
 6. This IC is mounted on either of drawing No. IC6003 or IC6004.

E.S.D. standards for Electrostatically Sensitive Devices, refer to PREVENTION OF ELECTROSTATIC DISCHARGE (ESD) TO ELECTROSTATICALLY SENSITIVE (ES) DEVICES section.

Definition of Parts supplier:

1. Parts marked with [ENERGY] in the remarks column are supplied from Panasonic Corporation Energy Company.
2. Parts marked with [PAVCSG] in the remarks column are supplied from PAVCSG.
Others are supplied from AVC-CSC-SPC.

DMC-ZX1EG-S
VEP59068A / VEK0P75 / VEK0P76

Ref.No.	Part No.	Part Name & Description	Pcs	Remarks
		----- P.C.B. LIST -----		
	VEP56090A	MAIN P.C.B.	1	EXCEPT(P)(PC)(PR)(PU) (RTL) E.S.D.
	VEP56090B	MAIN P.C.B.	1	(P)(PC)(PU)(PR) (RTL) E.S.D.
	VEP59068A	REAR OPERATION FPC UNIT	1	(RTL) E.S.D.
	VEK0P75	FLASH TOP P.C.B.	1	(RTL) E.S.D.[PAVCSG]
	VEK0P76	CCD UNIT	1	E.S.D.
		--- INDIVIDUAL PARTS ---		
△	C8503	F2A2F8500004	1	[PAVCSG]03
△	ET8503	VMB4149	1	[PAVCSG]03
		--- ELEC. COMPONENTS ---		
##	VEP59068A	REAR OPERATION FPC UNIT	1	(RTL) E.S.D.
C9501	F1H0J475A010	C.CAPACITOR CH 6.3V 4.7U	1	
C9502	F1G1E102A086	C.CAPACITOR CH 25V 1000P	1	
D9501	LNJ337W83RA	DIODE	1	E.S.D.
FP9501	K1MN04BA0162	CONNECTOR 4P	1	
IC9501	L2ES00000021	IC	1	E.S.D.
R9501	ERJ2GEJ102X	M.RESISTOR CH 1/16W 1K	1	
S9501	K0D112B00145	SWITCH	1	
S9502	K0F111A00583	SWITCH	1	
S9503	K0F111A00541	SWITCH	1	
S9504	K0F111A00541	SWITCH	1	
S9505	K0F111A00541	SWITCH	1	
S9506	K0F111A00583	SWITCH	1	
S9507	K0F111A00541	SWITCH	1	
S9508	K0F111A00541	SWITCH	1	
S9509	K0F111A00541	SWITCH	1	
##	VEK0P75	FLASH TOP P.C.B.	1	(RTL) E.S.D.[PAVCSG]
C7301	F1H0J475A010	C.CAPACITOR CH 6.3V 4.7U	1	[PAVCSG]
C7302	F1G1E102A086	C.CAPACITOR CH 25V 1000P	1	[PAVCSG]
C8001	F1G0J1050007	C.CAPACITOR CH 6.3V 1U	1	[PAVCSG]
C8006	F1K2E4730005	CAPACITOR	1	[PAVCSG]
C8007	F1G1H150A565	CAPACITOR	1	[PAVCSG]
C8009	F1J0J106A016	CAPACITOR	1	[PAVCSG]
C8011	F1G1C1030008	C.CAPACITOR CH 16V 0.01U	1	[PAVCSG]
D8001	B3ADB0000131	LED	1	[PAVCSG]E.S.D.
D8002	MA2YF8000L	DIODE	1	[PAVCSG]E.S.D.
ET8001	K4AC01D00001	EARTH SPRING	1	[PAVCSG]
ET8002	K4AC01D00001	EARTH SPRING	1	[PAVCSG]
ET8004	N9ZZ00000333	EARTH SPRING	1	[PAVCSG]
△	F8001	ERBSE1R25J	1	[PAVCSG]
△	F8021	ERBSE1R50U	1	[PAVCSG]
IC7301	L2ES00000022	IC	1	[PAVCSG]E.S.D.
IC8100	C0ZBZ0001710	IC	1	[PAVCSG]E.S.D.
L8001	G5F1A0000026	COIL	1	[PAVCSG]
LB8001	J0JCC0000415	FILTER	1	[PAVCSG]
M8001	L0CBAA000012	MICROPHONE	1	[PAVCSG]
P8002	K4ZZ04000054	CONNECTOR 4P	1	[PAVCSG]
PS8001	K1KB34AA0123	CONNECTOR 34P	1	[PAVCSG]
Q8001	B1JBLP000023	TRANSISTOR	1	[PAVCSG]E.S.D.
R8001	ERJ2GEJ512X	RESISTOR	1	[PAVCSG]

Ref.No.	Part No.	Part Name & Description	Pcs	Remarks
R8002	ERJ3GEYJ104V	RESISTOR	1	[PAVCSG]
R8003	ERJ3GEYJ470V	RESISTOR	1	[PAVCSG]
R8006	ERJ8GEYJ105V	RESISTOR	1	[PAVCSG]
R8007	ERJ2GEJ123X	RESISTOR	1	[PAVCSG]
R8008	ERJ2GEJ562X	RESISTOR	1	[PAVCSG]
R8009	ERJ2GEJ362X	RESISTOR	1	[PAVCSG]
R8010	ERJ2GEJ242X	RESISTOR	1	[PAVCSG]
R8011	ERJ2GEJ152X	RESISTOR	1	[PAVCSG]
R8013	ERJ2RHD2871X	RESISTOR	1	[PAVCSG]
R8021	ERJ2GEJ473X	M.RESISTOR CH 1/10W 47K	1	[PAVCSG]
R8032	D1BD8203A119	RESISTOR	1	[PAVCSG]
R8036	ERJ2GEJ103X	M.RESISTOR CH 1/10W 10K	1	[PAVCSG]
R8037	ERJ3GEYJ100V	RESISTOR	1	[PAVCSG]
R8038	ERJ3GEYJ100V	RESISTOR	1	[PAVCSG]
R8101	ERJ6GEY0R00V	RESISTOR	1	[PAVCSG]
S8001	K0F212A00003	SWITCH	1	[PAVCSG]
S8002	K0D112B00145	SWITCH	1	[PAVCSG]
S8003	K0L1CB000003	SWITCH	1	[PAVCSG]
S8005	K0G166A00004	SWITCH	1	[PAVCSG]
T8001	G5D1A0000080	TRANSFORMER	1	[PAVCSG]
ZB8001	K3ZZ00200042	BATTERY SOCKET	1	[PAVCSG]
##	VEK0P76	CCD UNIT	1	E.S.D.
C3101	F1H1C105A097	C.CAPACITOR CH 16V 1U	1	
Q3101	UP05C8B00L	TRANSISTOR	1	E.S.D.
R3101	ERJ2GEJ470	M.RESISTOR CH 1/16W 47	1	
R3102	ERJ2GEJ222	M.RESISTOR CH 1/10W 2.2K	1	
R3107	ERJ2GEJ132	M.RESISTOR CH 1/10W 1.3K	1	
R3108	ERJ2GEJ560X	M.RESISTOR CH 1/10W 56	1	
TH3101	D4CC11030013	THERMISTOR	1	

DMC-ZX1EG-S

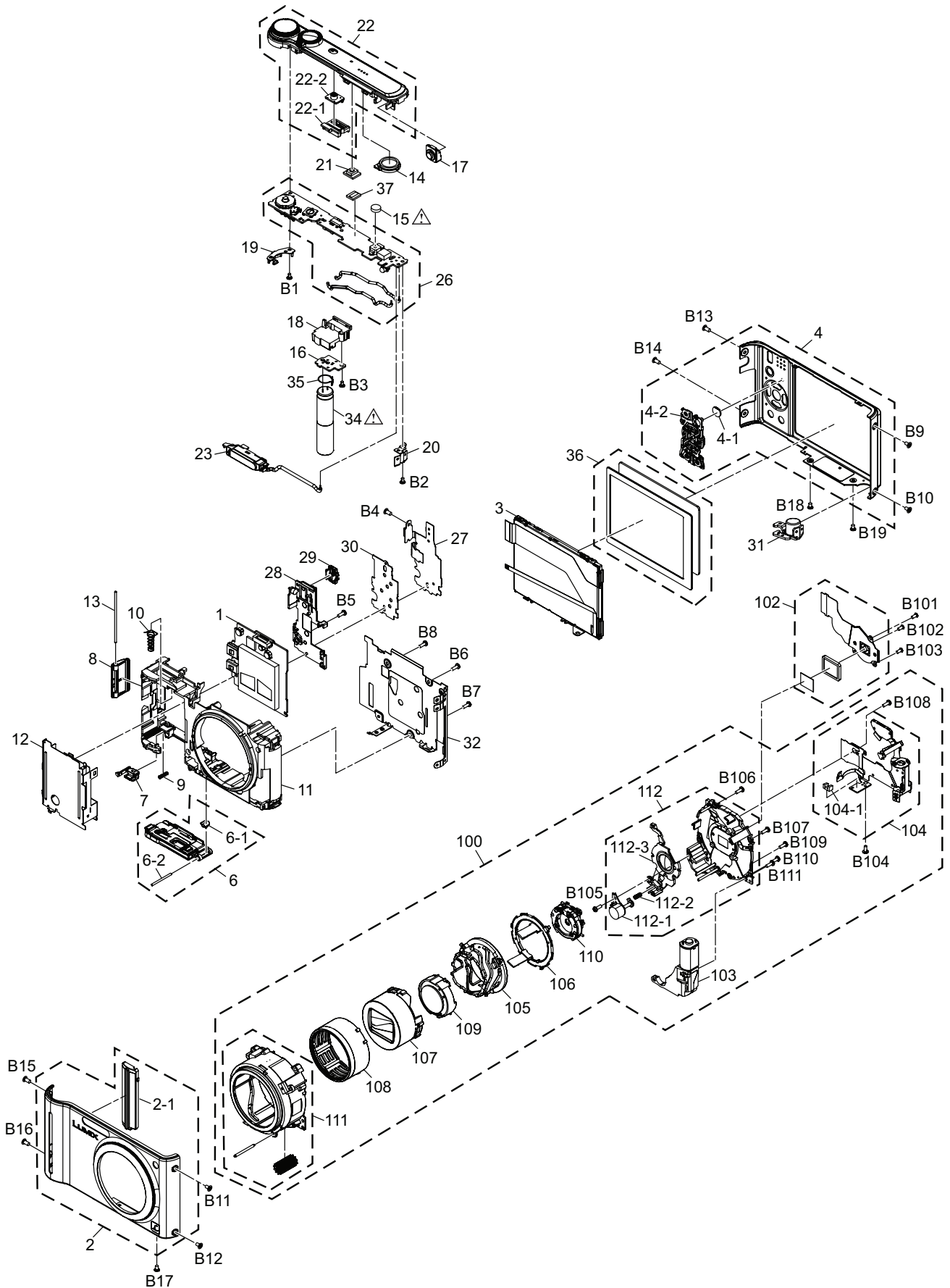
Ref.No.	Part No.	Part Name & Description	Pcs	Remarks	Ref.No.	Part No.	Part Name & Description	Pcs	Remarks
1	VEP56090B	MAIN P.C.B.	1	(P)(PC)(PU)(PR) (RTL) E.S.D.	B3	XQN14+BJ85FN	SCREW	1	[PAVCSG]
1	VEP56090A	MAIN P.C.B.	1	EXCEPT(P)(PC)(PR)(PU) (RTL) E.S.D.	B4	VHD1886	SCREW	1	
2	VYK3K67	FRONT CASE UNIT	1	(-S) [PAVCSG]	B5	VHD2036-1	SCREW	1	
2	VYK3K91	FRONT CASE UNIT	1	(-K) [PAVCSG]	B6	VHD2084	SCREW	1	
2	VYK3Q08	FRONT CASE UNIT	1	PC-R [PAVCSG]	B7	VHD2084	SCREW	1	
2	VYK3K98	FRONT CASE UNIT	1	P-R,PU-R,EG-R,EP-R,EF-R, EB-R,SG-R,GC-R,GH-R,GT-R, GN-R [PAVCSG]	B8	VHD2084	SCREW	1	
2	VYK3L05	FRONT CASE UNIT	1	(-A) [PAVCSG]	B9	VHD2102	SCREW	1	(-S)(-W)
2	VYK3L13	FRONT CASE UNIT	1	(-W) [PAVCSG]	B9	VHD2103	SCREW	1	(-K)(-R)(-A)
2-1	VGK3554	FRONT GRIP	1	[PAVCSG]	B10	VHD2102	SCREW	1	(-S)(-W)
3	VYK3K70	LCD UNIT	1		B10	VHD2103	SCREW	1	(-K)(-R)(-A)
4	VYK3K72	REAR CASE UNIT	1	(-S) [PAVCSG]	B11	VHD2102	SCREW	1	(-S)(-W)
4	VYK3K93	REAR CASE UNIT	1	(-K) [PAVCSG]	B11	VHD2103	SCREW	1	(-K)(-R)(-A)
4	VYK3L00	REAR CASE UNIT	1	(-R) [PAVCSG]	B12	VHD2102	SCREW	1	(-S)(-W)
4	VYK3L07	REAR CASE UNIT	1	(-A) [PAVCSG]	B12	VHD2103	SCREW	1	(-K)(-R)(-A)
4	VYK3L15	REAR CASE UNIT	1	(-W) [PAVCSG]	B13	VHD2102	SCREW	1	(-S)(-W)
4-1	VGL1317	REAR PANEL LIGHT	1	[PAVCSG]	B13	VHD2103	SCREW	1	(-K)(-R)(-A)
4-2	VGU0E79	CURSOR BUTTON	1	[PAVCSG]	B14	VHD2102	SCREW	1	(-S)(-W)
6	VYK3K74	BATTERY DOOR UNIT	1	(-S) [PAVCSG]	B14	VHD2103	SCREW	1	(-K)(-R)(-A)
6	VYK3K95	BATTERY DOOR UNIT	1	(-K) [PAVCSG]	B15	VHD2102	SCREW	1	(-S)(-W)
6	VYK3L02	BATTERY DOOR UNIT	1	(-R) [PAVCSG]	B15	VHD2103	SCREW	1	(-K)(-R)(-A)
6	VYK3L12	BATTERY DOOR UNIT	1	(-A) [PAVCSG]	B16	VHD2102	SCREW	1	(-S)(-W)
6	VYK3L17	BATTERY DOOR UNIT	1	(-W) [PAVCSG]	B16	VHD2103	SCREW	1	(-K)(-R)(-A)
6-1	VMB4143	BATTERY DOOR SPRING	1	[PAVCSG]	B17	VHD2102	SCREW	1	(-S)(-W)
6-2	VMS7863	BATTERY DOOR SHAFT	1	[PAVCSG]	B17	VHD2103	SCREW	1	(-K)(-R)(-A)
7	VGQ0G11	BATTERY LOCK KNOB	1	[PAVCSG]	B18	VHD2102	SCREW	1	(-S)(-W)
8	VKF4570	JACK DOOR	1	EG-S,EP-S,EB-S,EE-S,SG-S, GC-S,GH-S,GK-S,GN-S [PAVCSG]	B18	VHD2103	SCREW	1	(-K)(-R)(-A)
8	VKF4571	JACK DOOR	1	EG-K,EP-K,EF-K,EE-K,EB-K,SG-K, GC-K,GH-K,GT-K,GK-K,GN-K,GD-K [PAVCSG]	B19	VHD2102	SCREW	1	(-S)(-W)
8	VKF4573	JACK DOOR	1	EG-R,EP-R,EF-R,EB-R,SG-R, GC-R,GH-R,GT-R,GN-R [PAVCSG]					
8	VKF4572	JACK DOOR	1	EG-A,EP-A,EF-A,EB-A,GN-A [PAVCSG]					
8	VKF4574	JACK DOOR	1	EG-W,EP-W,EF-W,EB-W,SG-W, GH-W,GK-W [PAVCSG]					
8	VKF4613	JACK DOOR	1	P-S,PC-S,PU-S [PAVCSG]					
8	VKF4614	JACK DOOR	1	P-K,PC-K,PU-K,PR-K [PAVCSG]					
8	VKF4616	JACK DOOR	1	P-R,PC-R,PU-R [PAVCSG]					
8	VKF4615	JACK DOOR	1	P-A,PC-A [PAVCSG]					
8	VKF4617	JACK DOOR	1	PC-W [PAVCSG]					
9	VMB4152	BATTERY LOCK SPRING	1	[PAVCSG]					
10	VMB4305	BATTERY OUT SPRING	1	[PAVCSG]					
11	VMP9423	FRAME	1	EXCEPT(P)(PC)(PU)(PR) [PAVCSG]					
11	VMP9515	FRAME	1	(P)(PC)(PR)(PU) [PAVCSG]					
12	VMP9424	BATTERY CASE UNIT	1	[PAVCSG]					
13	VMS7892-A	JACK DOOR SHAFT	1	[PAVCSG]					
14	L0AA01A00032	SPEAKER	1	[PAVCSG]					
△ 15	ML-421S/ZTN	BUTTON BATTERY	1	(B8001)[ENERGY]					
16	VEP58096A	E.CAPACITOR P.C.B.	1	[PAVCSG]					
17	VGL1290	AF PANEL LIGHT	1	[PAVCSG]					
18	VGQ0G09-1	E.CAPACITOR P.C.B. HOLDER	1	[PAVCSG]					
19	VMP9426	TOP PLATE(L)	1	[PAVCSG]					
20	VMP9427	TOP PLATE(R)	1	[PAVCSG]					
21	VMT1968	MIC DAMPER	1	[PAVCSG]					
22	VYK3K86	TOP CASE UNIT	1	ZX1 [PAVCSG]					
22	VYK3K88	TOP CASE UNIT	1	ZR1 [PAVCSG]					
22-1	VGQ0G07-1	POWER KNOB BASE	1	[PAVCSG]					
22-2	VGU0F42	POWER KNOB	1	[PAVCSG]					
23	EFN-AMAM2AZD	FLASH UNIT	1	[PAVCSG]					
26	VEK0P75	FLASH TOP P.C.B.	1	(RTL) E.S.D.[PAVCSG]					
27	VEP59068A	REAR OPERATION FPC UNIT	1	(RTL) E.S.D.					
28	VGQ0G80	P.C.B. BASE	1						
29	VGU0E82	REC/PLAYBACK SELECTOR KNOB	1						
30	VMP9497	SW PLATE	1						
31	VGQ0G06	TORIPOD	1						
32	VMP9425	FRAME PLATE	1						
△ 34	F2A2F8500004	E.CAPACITOR	1	(C8503)[PAVCSG]					
35	VMB4149	EARTH SPRING	1	[PAVCSG]					
36	VYK3K71	LCD PANEL UNIT	1						
37	VMT2006	MIC CUSHION	1	[PAVCSG]					
B1	VHD2182	SCREW	2	[PAVCSG]					
B2	VHD2182	SCREW	2	[PAVCSG]					

DMC-ZX1EG-S

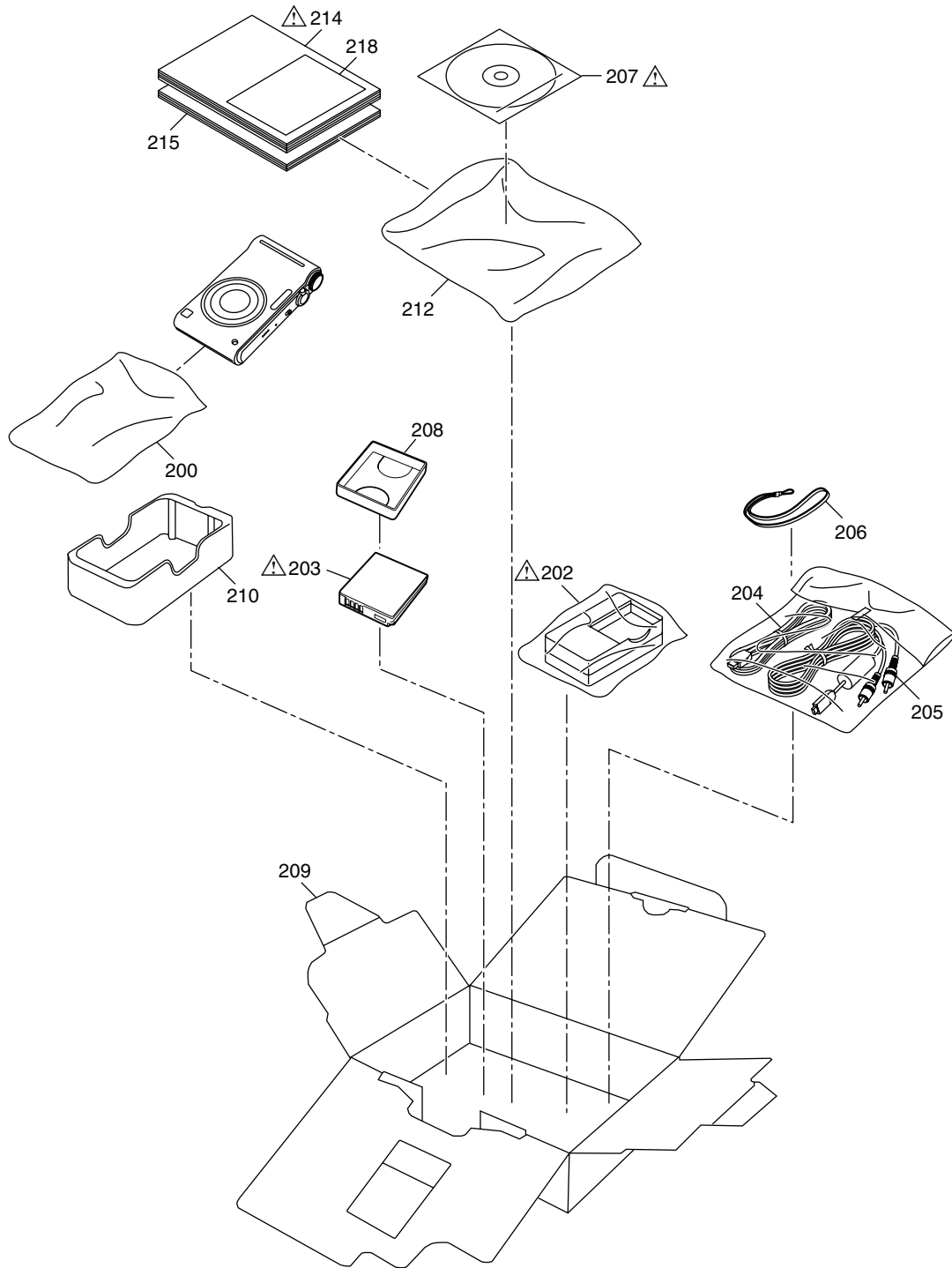
Ref.No.	Part No.	Part Name & Description	Pcs	Remarks	Ref.No.	Part No.	Part Name & Description	Pcs	Remarks
300	VPF1301	CAMERA BAG	1	EXCEPT(P)(PC) [PAVCSG]	315	VQT2E49	O/I SOFTWARE (ENGLISH)	1	(EB)(GN)
△ 302	DE-A66AA	BATTERY CHARGER	1	(EG)(EP)(EF)(EB)(GN)	315	VQT2E50	O/I SOFTWARE (RUSSIAN/UKRAINIAN)	1	(EE)
△ 302	DE-A66BB	BATTERY CHARGER	1	(EE)(GC)(GH)(GK)(GD)	315	VQT2E51	O/I SOFTWARE (ENGLISH/CHINESE(TRADITIONAL)/ ARABIC/PERSIAN)	1	(SG)(GC)(GH)
△ 302	DE-A66EA	BATTERY CHARGER	1	(SG)	315	VQT2G82	O/I SOFTWARE (SPANISH/PORTUGUESE)	1	(PU)(PR)
△ 302	DE-A65BA	BATTERY CHARGER	1	(PU)	315	VQT2E52	O/I SOFTWARE (CHINESE(TRADITIONAL))	1	(GT)
△ 302	DE-A66DA	BATTERY CHARGER	1	(PR)	315	VQT2E53	O/I SOFTWARE (CHINESE(SIMPLIFIED))	1	(GK)
△ 302	DE-A66CA	BATTERY CHARGER	1	(GT)	315	VQT2E54	O/I SOFTWARE (KOREAN)	1	(GD)
△ 303	-----	BATTERY	1	EXCEPT(P)(PC)	318	VQL1G34-6	OPERATING LABEL	1	(GT)
304	K1HA08AD0003	USB CABLE W/PLUG	1	EXCEPT(P)(PC)	△ 319	K2CT39A00002	AC CORD W/PLUG	1	(EB)(GC)(GH)
305	K1HA08CD0020	AV CABLE W/PLUG	1	EXCEPT(P)(PC)(PR)(PU)	△ 320	K2CQ29A00002	AC CORD W/PLUG	1	(EG)(EP)(EF)(EE)(GC)
306	VFC4297	HAND STRAP	1	EXCEPT(P)(PC)	△ 320	K2CR29A00001	AC CORD W/PLUG	1	(GD)
△ 307	VFF0523-S	CD-ROM (SOFTWARE/INSTRUCTION BOOK)	1	(PU)(PR) See"Notes"	△ 321	K2CJ29A00002	AC CORD W/PLUG	1	(GN)
307	VFF0502-S	CD-ROM(SOFTWARE)	1	ZX1(GC)(GH)(GN)(GD) See"Notes"	△ 322	K2CA29A00023	AC CORD W/PLUG	1	(SG)
307	VFF0503-S	CD-ROM(SOFTWARE)	1	(GT)(GK) See"Notes"	△ 322	K2CA29A00021	AC CORD W/PLUG	1	(GT)
308	VGQ0E45	BATTERY PROTECTION CASE	1	EXCEPT(P)(PC)	△ 322	K2CA2Y000070	AC CORD W/PLUG	1	(GK)
309	VPK3980	PACKING CASE	1	EG-S,EP-S,EB-S,EE-S,SG-S	△ 324	K2CJ29A00003	AC CORD W/PLUG	1	(PR)
309	VPK3985	PACKING CASE	1	EG-K,EP-K,EF-K,EB-K,EE-K,SG-K					
309	VPK3990	PACKING CASE	1	EG-R,EP-R,EF-R, See"Notes"					
309	VPK3993	PACKING CASE	1	EG-A,EP-A,EF-A,EB-A					
309	VPK3997	PACKING CASE	1	EG-W,EP-W,EF-W,EB-W,SG-W					
309	VPK3981	PACKING CASE	1	PU-S,GC-S,GH-S,GN-S					
309	VPK3986	PACKING CASE	1	PU-K,PR-K,GK-K,GH-K,GT-K, GN-K,GD-K					
309	VPK3991	PACKING CASE	1	PU-R,GC-R,GH-R,GT-R,GN-R					
309	VPK3998	PACKING CASE	1	GH-W					
309	VPK3982	PACKING CASE	1	GK-S					
309	VPK3987	PACKING CASE	1	GK-K					
309	VPK3999	PACKING CASE	1	GK-W					
309	VPK3994	PACKING CASE	1	GN-A					
310	VPN6928	CUSHION	1	EXCEPT(P)(PC)					
312	VPF1294	BAG, POLYETHYLENE	1	EXCEPT(P)(PC)					
△ 313	VFF0524-J	CD-ROM(INSTRUCTION BOOK)	1	(EG)(EP)(EF)(EB)					
△ 313	VFF0533-J	CD-ROM(INSTRUCTION BOOK)	1	(EE)(SG)					
△ 313	VFF0525-J	CD-ROM(INSTRUCTION BOOK)	1	(GC)(GH)(GN)					
△ 314	VQT2F35	SIMPLIFIED O/I (GERMAN/FRENCH)	1	(EG)					
△ 314	VQT2F36	SIMPLIFIED O/I (ITALIAN/DUTCH)	1	(EG)					
△ 314	VQT2F37	SIMPLIFIED O/I (SPANISH/PORTUGUESE)	1	(EG)					
△ 314	VQT2F38	SIMPLIFIED O/I (SWEDISH/DANISH)	1	(EP)					
△ 314	VQT2F39	SIMPLIFIED O/I (POLISH/CZECH)	1	(EP)					
△ 314	VQT2F40	SIMPLIFIED O/I (HUNGARIAN/FINNISH)	1	(EP)					
△ 314	VQT2F41	SIMPLIFIED O/I (FRENCH)	1	(EF)					
△ 314	VQT2F42	SIMPLIFIED O/I (ENGLISH)	1	(EB)					
△ 314	VQT2G36	SIMPLIFIED O/I (RUSSIAN/UKRAINIAN)	1	(EE)					
△ 314	VQT2F45	SIMPLIFIED O/I (ENGLISH/CHINESE(TRADITIONAL))	1	(SG)(GC)(GH)					
△ 314	VQT2F34	SIMPLIFIED O/I (SPANISH/PORTUGUESE)	1	(PU)					
△ 314	VQT2G35	SIMPLIFIED O/I (SPANISH)	1	(PR)					
△ 314	VQT2F46	SIMPLIFIED O/I (ARABIC/PERSIAN)	1	(GC)					
△ 314	VQT2F47	INSTRUCTION BOOK (CHINESE(TRADITIONAL))	1	(GT)					
△ 314	VQT2F48	INSTRUCTION BOOK (CHINESE(SIMPLIFIED))	1	(GK)					
△ 314	VQT2F49	SIMPLIFIED O/I (ENGLISH)	1	(GN)					
△ 314	VQT2F50	INSTRUCTION BOOK (KOREAN)	1	(GD)					
315	VQT2E46	O/I SOFTWARE (GERMAN/FRENCH/ITALIAN/ DUTCH/SPANISH/PORTUGUESE)	1	(EG)					
315	VQT2E47	O/I SOFTWARE (FINNISH/SWEDISH/DANISH/ POLISH/CZECH/HUNGARIAN)	1	(EP)					
315	VQT2E48	O/I SOFTWARE (FRENCH)	1	(EF)					

S7. Exploded View

S7.1. Frame and Casing Section



S7.2. Packing Parts and Accessories Section (1)



S7.3. Packing Parts and Accessories Section (2)

