

Ref.No.	Part No.	Part Name & Description	Pcs	Remarks
##	VEP56047A	MAIN P.C.B.	1	[RTL](TZ3) E.S.D.
##	VEP56047B	MAIN P.C.B.	1	[RTL](TZ2) E.S.D.
##	VEP51013A	SUB P.C.B.	1	[RTL](TZ3) E.S.D.
##	VEP51013B	SUB P.C.B.	1	[RTL](TZ2) E.S.D.
##	VEP58039A	FLASH P.C.B.	1	[RTL] E.S.D.
##	VEP59041A	TOP OPERATION P.C.B.	1	[RTL] E.S.D.
##	VEP59042A	AF ASSIST LED P.C.B.	1	[RTL] E.S.D.
##	VEK0L03	CCD UNIT	1	(TZ2) E.S.D.
##	VEK0L04	CCD UNIT	1	(TZ3) E.S.D.
##	VEP58039A	FLASH P.C.B.	1	[RTL] E.S.D.
C8001	ECJ1VB0J105K	C.CAPACITOR CH 6.3V 1U	1	
C8003	F2A2F8800001	E.CAPACITOR 300V 88U	1	
C8004	F1K2J102A010	C.CAPACITOR 630V 1000P	1	
C8006	F1K2J333A031	C.CAPACITOR 630V 0.033U	1	
C8007	F1G1A1040006	C.CAPACITOR CH 10V 0.1U	1	
C8009	ECJ3YB0J106K	C.CAPACITOR CH 6.3V 10U	1	
D8002	B0HDCS000001	DIODE	1	E.S.D.
△ F8001	ERBSE1R25U	FUSE 32V 1.25A	1	
△ F8002	ERBSE1R50U	FUSE 32V 1.5A	1	
FP8001	K1MN19BA0209	CONNECTOR 19P	1	
IC8001	C0ZBZ0000914	IC	1	E.S.D.
Q8001	B1JBLP000012	TRANSISTOR	1	E.S.D.
Q8009	B1DFCG000020	TRANSISTOR	1	E.S.D.
R8002	ERJ3GEYJ104	M.RESISTOR CH 1/10W 100K	1	
R8003	ERJ3GEYJ330	M.RESISTOR CH 1/10W 33	1	
R8004	D0YAR0000007	M.RESISTOR CH 1/16W 0	1	
R8006	ERJ8GEYJ105V	M.RESISTOR CH 1/8W 1M	1	
R8013	ERJ2RHD153X	M.RESISTOR CH 1/16W 15K	1	
R8021	ERJ2GEJ153	M.RESISTOR CH 1/16W 15K	1	
R8032	ERJ6RED105	M.RESISTOR CH 1/16W 1M	1	
R8033	ERJ6RED105	M.RESISTOR CH 1/16W 1M	1	
T8001	G5D1A0000061	TRANSFORMER	1	
T8002	G5F1A0000024	TRANSFORMER	1	
##	VEP59041A	TOP OPERATION P.C.B.	1	[RTL] E.S.D.
ET9901	K4BC01D00001	EARTH TERMINAL	1	
ET9902	K4BC01D00001	EARTH TERMINAL	1	
FP9901	K1MN19BA0209	CONNECTOR 19P	1	
△ LB9911	J0JCC0000317	FILTER	1	
△ LB9912	J0JCC0000317	FILTER	1	
M9901	L0CZAA000007	MICROPHONE UNITS	1	
P9901	K1KA10BA0190	CONNECTOR 10P	1	
R9901	ERJ2GEJ242	M.RESISTOR CH 1/16W 2.4K	1	
R9902	ERJ2GEJ432	M.RESISTOR CH 1/16W 4.3K	1	
R9903	ERJ2GEJ822	M.RESISTOR CH 1/16W 8.2K	1	
R9904	ERJ2GEJ243	M.RESISTOR CH 1/16W 24K	1	
R9905	ERJ2GEJ242	M.RESISTOR CH 1/16W 2.4K	1	

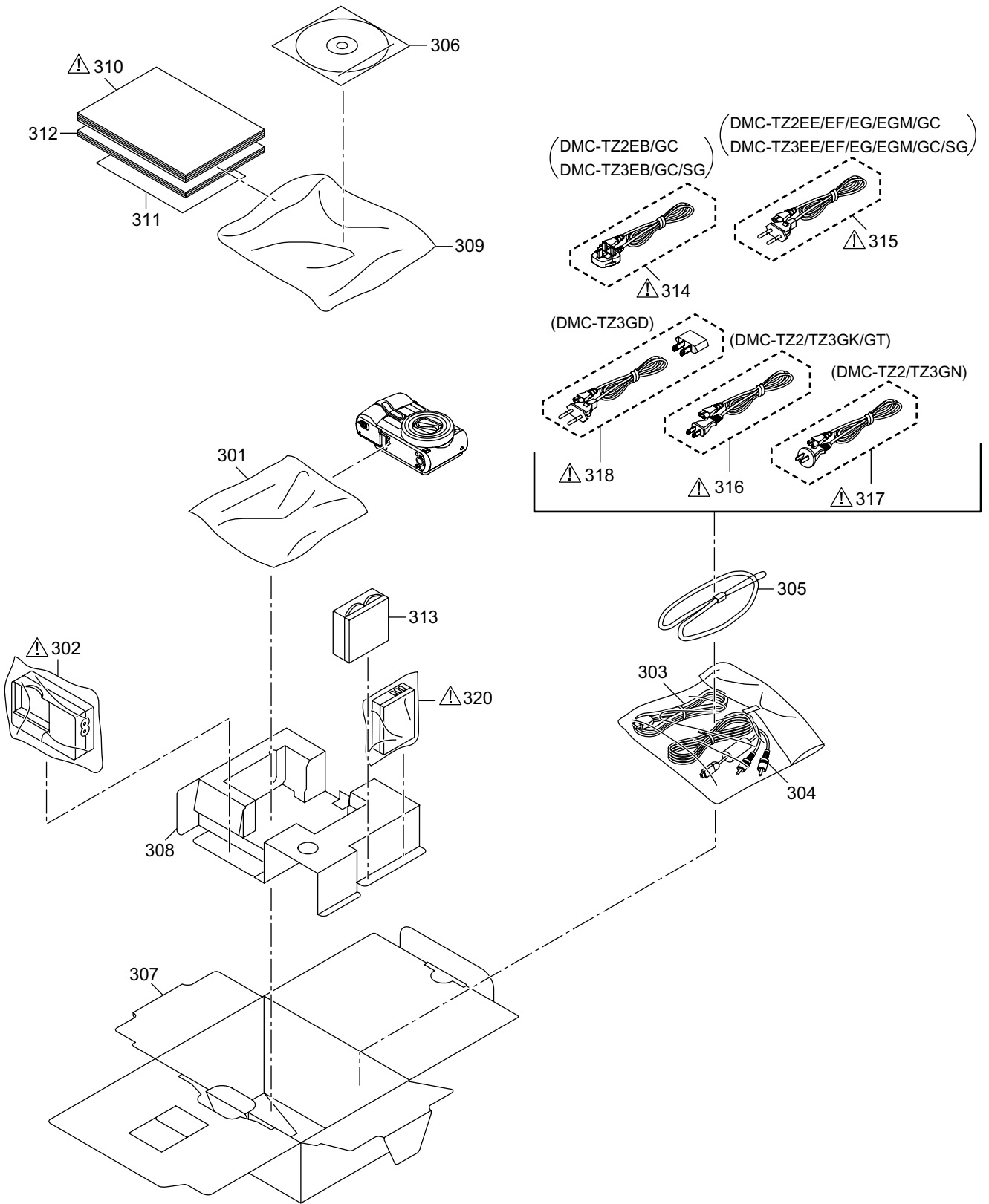
Ref.No.	Part No.	Part Name & Description	Pcs	Remarks
R9906	ERJ2GEJ432	M.RESISTOR CH 1/16W 4.3K	1	
R9907	ERJ2GEJ822	M.RESISTOR CH 1/16W 8.2K	1	
R9908	ERJ2GEJ243	M.RESISTOR CH 1/16W 24K	1	
R9909	ERJ6GEYJ512	M.RESISTOR CH 1/10W 5.1K	1	
S9901	K0F212A00003	SWITCH	1	
S9902	K0D112B00145	SWITCH	1	
S9903	EVQPQ6B55	SWITCH	1	
S9904	K0G199A00012	SWITCH	1	
S9905	K0L1CB000003	SWITCH	1	
ZB9901	K3Z200500014	CONNECTOR	1	
B9901	ML614S/ZT	BATTERY	1	[MBI]
##	VEP59042A	AF ASSIST LED P.C.B.	1	[RTL] E.S.D.
D9701	B3ADB0000100	DIODE	1	E.S.D.
P9701	K1KB10AA0129	CONNECTOR 10P	1	
##	VEK0L03	CCD UNIT	1	(TZ2) E.S.D.
C3101	ECJ1VB1C105K	C.CAPACITOR CH 16V 1U	1	
C3102	F1J1A106A023	C.CAPACITOR CH 10V 10U	1	
Q3101	UP05C8B00L	TRANSISTOR	1	E.S.D.
R3101	ERJ2GEJ470	M.RESISTOR CH 1/16W 47	1	
R3102	ERJ2RKD330	M.RESISTOR CH 1/16W 33	1	
R3103	ERJ2GEJ222	M.RESISTOR CH 1/16W 2.2K	1	
R3104	ERJ2GEJ152	M.RESISTOR CH 1/16W 1.5K	1	
TH3101	ERTJ0EG103HA	THERMISTOR	1	
##	VEK0L04	CCD UNIT	1	(TZ3) E.S.D.
C3101	ECJ1VB1C105K	C.CAPACITOR CH 16V 1U	1	
C3102	F1J1A106A023	C.CAPACITOR CH 10V 10U	1	
Q3101	UP05C8B00L	TRANSISTOR	1	
R3101	ERJ2GEJ470	M.RESISTOR CH 1/16W 47	1	
R3102	ERJ2RKD330	M.RESISTOR CH 1/16W 33	1	
R3103	ERJ2GEJ222	M.RESISTOR CH 1/16W 2.2K	1	
R3104	ERJ2GEJ152	M.RESISTOR CH 1/16W 1.5K	1	
TH3101	ERTJ0EG103HA	THERMISTOR	1	

Ref.No.	Part No.	Part Name & Description	Pcs	Remarks	Ref.No.	Part No.	Part Name & Description	Pcs	Remarks
1	VEP51013B	SUB P.C.B.	1	(TZ2) [RTL] E.S.D.	208	VXP2744	1ST LENS FRAME UNIT	1	
1	VEP51013A	SUB P.C.B.	1	(TZ3) [RTL] E.S.D.	209	VXP2745	BOTH SIDE CAM FRAME UNIT	1	
2	VEP56047B	MAIN P.C.B.	1	(TZ2) [RTL] E.S.D.	210	VXP2746	2ND LENS FRAME UNIT	1	
2	VEP56047A	MAIN P.C.B.	1	(TZ3) [RTL] E.S.D.	211	VXP2748	3RD LENS FRAME UNIT	1	
3	L0AA01A00027	SPEAKER	1		212	VXP2754	DRIVE FRAME UNIT	1	
4	ML614S/ZT	BATTERY	1	[MBI](B9901)	213	VXQ1502	FIX FRAME UNIT	1	
5	VGQ9404	TOP PCB SHEET	1		214	VXQ1504	MASTER FLANGE UNIT	1	
6	VGU0B03	POWER KNOB	1		215	L6HA86ND0001	FOCUS MOTOR UNIT	1	
7	VGU0B04	OIS BUTTON	1		216	VXW0868	LENS UNIT	1	
8	VEP59041A	TOP OPERATION P.C.B.	1	[RTL] E.S.D.	B1	VHD1876	SCREW	1	
9	VEP59042A	AF ASSIST LED P.C.B.	1	[RTL] E.S.D.	B2	VHD1876	SCREW	1	
10	VYF3145	TOP COVER UNIT	1		B3	VHD1853	SCREW	1	(-K)(-A)
11	VYK2C42	TOP ORNAMENT UNIT	1	(TZ2)	B3	VHD1693	SCREW	1	(-S)
11	VYK2C41	TOP ORNAMENT UNIT	1	(TZ3)	B4	VHD1853	SCREW	1	(-K)(-A)
12	VYQ4009	MIC DAMPER	1		B4	VHD1693	SCREW	1	(-S)
13	VEK0K94	FLASH UNIT	1		B5	VHD1853	SCREW	1	(-K)(-A)
14	VGQ9354	CONDENSER COVER	1		B5	VHD1693	SCREW	1	(-S)
15	VMB4024	BATTERY SPRING	1		B6	VHD1854	SCREW	1	(-K)(-A)
16	VWJ1955	FPC	1		B6	VHD1841	SCREW	1	(-S)
17	VEP58039A	FLASH P.C.B.	1	[RTL] E.S.D.	B7	VHD1854	SCREW	1	(-K)(-A)
19	VKF4188	JACK DOOR	1	(-K)TZ2	B7	VHD1841	SCREW	1	(-S)
19	VKF4189	JACK DOOR	1	(-K)TZ3	B8	VHD1854	SCREW	1	(-K)(-A)
19	VKF4187	JACK DOOR	1	(-S)	B8	VHD1841	SCREW	1	(-S)
19	VKF4190	JACK DOOR	1	(-A)	B9	VHD1854	SCREW	1	(-K)(-A)
23	VYQ4019	BATTERY FRAME UNIT	1	(-K)TZ2	B9	VHD1841	SCREW	1	(-S)
23	VYQ4017	BATTERY FRAME UNIT	1	(-K)TZ3	B10	VHD1854	SCREW	1	(-K)(-A)
23	VYQ4014	BATTERY FRAME UNIT	1	(-S)	B10	VHD1841	SCREW	1	(-S)
23	VYQ4018	BATTERY FRAME UNIT	1	(-A)	B11	VHD1877	SCREW	1	(-K)(-A)
24	VMS7822	BATTERY DOOR SHAFT	1		B11	VHD1876	SCREW	1	(-S)
25	VMS7823	JACK DOOR SHAFT	1		B12	VHD1877	SCREW	1	(-K)(-A)
26	VYF3143	BATTERY DOOR UNIT	1	(-K)TZ2	B12	VHD1876	SCREW	1	(-S)
26	VYF3140	BATTERY DOOR UNIT	1	(-K)TZ3	B13	VHD1909	SCREW	1	
26	VYF3142	BATTERY DOOR UNIT	1	(-S)	B14	VHD1909	SCREW	1	
26	VYF3141	BATTERY DOOR UNIT	1	(-A)	B15	VHD1921	SCREW	1	
27	VGK3312	FRONT GRIP	1		B16	VHD1921	SCREW	1	
28	VGK3321	GRIP FIX	1	(TZ2)	B17	VHD1924	SCREW	1	
28	VGK3313	GRIP FIX	1	(TZ3)	B19	VHD1924	SCREW	1	
29	VGK3315	STRAP HOLDER	1		B20	VHD1926	SCREW	1	
30	VGQ9317	TRIPOD	1		B21	VHD1924	SCREW	1	
30	VMP8808	LENS PLATE	1		B22	VHD1924	SCREW	1	
31	VGQ9356	PCB SPACER	1		B23	VHD1678	SCREW	1	
33	VEK0L23	HEAT RADIATION SHEET	1	(TZ3)	B24	XQN16+BJ3FN	SCREW	1	
35	VMC2036	PCB PLATE	1		B25	VHD1909	SCREW	1	
36	VMP8808	LENS PLATE	1		B201	VHD1871	SCREW	1	
37	VWJ1956	FPC	1		B202	VHD1871	SCREW	1	
38	VGL1230	REAR PANEL LIGHT	1		B203	VHD1871	SCREW	1	
39	VGQ9162	CURSOL TAPE	1		B204	XQN14+CJ4FJ	SCREW	1	
40	VGQ9162	CURSOL TAPE	1		B205	XQN14+CJ4FJ	SCREW	1	
41	VUKM7124	REAR CASE UNIT	1	(-K)TZ2	B206	XQN14+CJ4FJ	SCREW	1	
41	VUKM7101	REAR CASE UNIT	1	(-S)TZ2	B207	XQN14+CJ4FJ	SCREW	1	
41	VUKM7103	REAR CASE UNIT	1	(-K)TZ3	B208	XQN14+CJ4FJ	SCREW	1	
41	VUKM7100	REAR CASE UNIT	1	(-S)TZ3	B209	XQN14+CJ4FJ	SCREW	1	
41	VUKM7102	REAR CASE UNIT	1	(-A)	B210	XQN14+CJ4FJ	SCREW	1	
42	VGU0B02	CURSOR BUTTON	1		B211	VHD1871	SCREW	1	
43	VYK2C54	LCD UNIT	1	(TZ2)					
43	VYK2C31	LCD UNIT	1	(TZ3)					
44	VYK2C53	FRONT CASE UNIT	1	(-K)TZ2					
44	VYK2C52	FRONT CASE UNIT	1	(-S)TZ2					
44	VYK2C50	FRONT CASE UNIT	1	(-K)TZ3					
44	VYK2C49	FRONT CASE UNIT	1	(-S)TZ3					
44	VYK2C51	FRONT CASE UNIT	1	(-A)					
45	VGQ9316	LENS ORNAMENT	1						
46	F2A2F8800001	E.CAPACITOR 300V 88UF	1	(C8003)					
47	VEK0L24	LENS BARRIER SHEET	1	(TZ2)					
48	VGQ9498	CAPACITOR SHEET	1						
49	VGQ9503	SWITCH SHEET	1						
50	VGQ9505	IC SHEET	1						
201	VDL1944	OPTICAL FILTER	1						
202	VEK0L03	CCD UNIT	1	(TZ2) E.S.D.					
202	VEK0L04	CCD UNIT	1	(TZ3) E.S.D.					
203	VMX3600	CCD CUSHION RUBBER	1						
204	L6DABCGD0001	ZOOM MOTOR UNIT	1						
205	B3NAA0000132	PHOTO COUPLER	1						
207	VDW1412	2ND/3RD DIRECT FRAME	1						

Ref.No.	Part No.	Part Name & Description	Pcs	Remarks
301	VPF1137	CAMERA BAG	1	(EXCEPT P/PC)
△ 302	DE-A46AA	BATTERY CHARGER	1	EB,EF,EG,EGM,GN
△ 302	DE-A46BA	BATTERY CHARGER	1	EE,GC,GK,GD,SG
△ 302	DE-A46CA	BATTERY CHARGER	1	GT
△ 302	DE-A45BA	BATTERY CHARGER	1	PL
303	K1HA08CD0013	USB CABLE	1	(EXCEPT P/PC)
304	K1HA08CD0014	AV CABLE	1	(EXCEPT P/PC)
305	VFC4090	HAND STRAP	1	(EXCEPT P/PC)
306	VFF0358-S	CD-ROM	1	(EXCEPT P/PC)
307	VPK3326	PACKING CASE	1	(-K)2EB,2EE,2EF,2EG,2EGM, 2GC,2GN
307	VPK3260	PACKING CASE	1	(-S)2EB,2EE,2EF,2EG,2EGM, 2GC,2GN,2GT,2PL
307	VPK3327	PACKING CASE	1	2GKK
307	VPK3261	PACKING CASE	1	2GKS
307	VPK3320	PACKING CASE	1	(-K)3EB,3EE,3EF,3EG,3EGM, 3GC,3GD,3GN,3GT,3PL,3SG
307	VPK3257	PACKING CASE	1	(-S)3EB,3EE,3EF,3EG,3EGM, 3GC,3GN,3GT,3PL,3SG
307	VPK3324	PACKING CASE	1	(-A)3EB,3EE,3EF,3EG,3EGM, 3GC,3SG
307	VPK3321	PACKING CASE	1	3GKK
307	VPK3258	PACKING CASE	1	3GKS
308	VPN6549	CUSHION	1	(EXCEPT P/PC)
309	VPF1100	BAG, POLYETHYLENE	1	EB,EE,EF,GD,GK,GN,GT
309	VPF1132	BAG, POLYETHYLENE	1	EG,EGM,GC,PL,SG
△ 310	VQT1B74	INSTRUCTION BOOK	1	EB (ENGLISH)
△ 310	VQT1B75	INSTRUCTION BOOK	1	EE (RUSSIAN)
△ 310	VQT1B76	INSTRUCTION BOOK	1	EE (UKRAINIAN)
△ 310	VQT1B67	INSTRUCTION BOOK	1	EF,EG (FRENCH)
△ 310	VQT1B66	INSTRUCTION BOOK	1	EG (GERMAN)
△ 310	VQT1B68	INSTRUCTION BOOK	1	EG (ITALIAN)
△ 310	VQT1B69	INSTRUCTION BOOK	1	EG (DUTCH)
△ 310	VQT1B70	INSTRUCTION BOOK	1	EGM (SPANISH)
△ 310	VQT1B71	INSTRUCTION BOOK	1	EGM (PORTUGUESE)
△ 310	VQT1B72	INSTRUCTION BOOK	1	EGM (SWEDISH)
△ 310	VQT1B73	INSTRUCTION BOOK	1	EGM (DANISH)
△ 310	VQT1B77	INSTRUCTION BOOK	1	GC,SG (ENGLISH)
△ 310	VQT1B78	INSTRUCTION BOOK	1	GC,SG (CHINESE(TRADITIONAL))
△ 310	VQT1B79	INSTRUCTION BOOK	1	GC,SG (ARABIC)
△ 310	VQT1B80	INSTRUCTION BOOK	1	GC,SG (PERSIAN)
△ 310	VQT1B82	INSTRUCTION BOOK	1	GK (CHINESE(SIMPLIFIED))
△ 310	VQT1B83	INSTRUCTION BOOK	1	GN (ENGLISH)
△ 310	VQT1B81	INSTRUCTION BOOK	1	GT (CHINESE(TRADITIONAL))
△ 310	VQT1B63	INSTRUCTION BOOK	1	PL (ENGLISH)
△ 310	VQT1B64	INSTRUCTION BOOK	1	PL (SPANISH)
△ 310	VQT1B65	INSTRUCTION BOOK	1	PL (PORTUGUESE)
△ 310	VQT1B84	INSTRUCTION BOOK	1	GD (KOREAN)
311	VQT1D49	O/I PC CONNECTION	1	EB,GN (ENGLISH)
311	VQT1D50	O/I PC CONNECTION	1	EE (RUSSIAN/UKRAINIAN)

Ref.No.	Part No.	Part Name & Description	Pcs	Remarks
311	VQT1D48	O/I PC CONNECTION	1	EF (FRENCH)
311	VQT1D46	O/I PC CONNECTION	1	EG (GERMAN/FRENCH/ITALIAN/ DUTCH)
311	VQT1D47	O/I PC CONNECTION	1	EGM (SPANISH/PORTUGUESE/ SWEDISH/DANISH)
311	VQT1D51	O/I PC CONNECTION	1	GC,SG (ENGLISH/ARABIC/PERSIAN/ CHINESE(TRADITIONAL))
311	VQT1D53	O/I PC CONNECTION	1	GK (CHINESE(SIMPLIFIED))
311	VQT1D52	O/I PC CONNECTION	1	GT (CHINESE(TRADITIONAL))
311	VQT1D45	O/I PC CONNECTION	1	PL (ENGLISH/SPANISH/ PORTUGUESE)
311	VQT1D54	O/I PC CONNECTION	1	GD (KOREAN)
312	VQT1D77	O/I SOFTWARE	1	EB,GN (ENGLISH)
312	VQT1D78	O/I SOFTWARE	1	EE (RUSSIAN/UKRAINIAN)
312	VQT1D76	O/I SOFTWARE	1	EF (FRENCH)
312	VQT1D74	O/I SOFTWARE	1	EG (GERMAN/FRENCH/ITALIAN/ DUTCH)
312	VQT1D75	O/I SOFTWARE	1	EGM (SPANISH/PORTUGUESE/ SWEDISH/DANISH)
312	VQT1D79	O/I SOFTWARE	1	GC,SG (ENGLISH/ARABIC/PERSIAN/ CHINESE(TRADITIONAL))
312	VQT1D81	O/I SOFTWARE	1	GK (CHINESE(SIMPLIFIED))
312	VQT1D80	O/I SOFTWARE	1	GT (CHINESE(TRADITIONAL))
312	VQT1D73	O/I SOFTWARE	1	PL (ENGLISH/SPANISH/ PORTUGUESE)
312	VQT1D82	O/I SOFTWARE	1	GD (KOREAN)
313	VYQ3680	BATTERY CARRYING CASE U	1	(EXCEPT P/PC)
△ 314	K2CT3CA00004	AC CABLE W/PLUG	1	EB,GC,SG
△ 315	K2CQ2CA00006	AC CABLE W/PLUG	1	EE,EF,EG,EGM,GC,SG
△ 316	K2CA2CA00020	AC CABLE W/PLUG	1	GK
△ 316	K2CA2CA00027	AC CABLE W/PLUG	1	GT
△ 317	K2CJ2DA00008	AC CABLE W/PLUG	1	GN
△ 318	RJA0078-1X	AC CABLE W/PLUG	1	GD
△ 320	-----	BATTERY	1	(EXCEPT P/PC)

S6.2. Packing Parts and Accessories Section (1)



S6.3. Packing Parts and Accessories Section (2)

