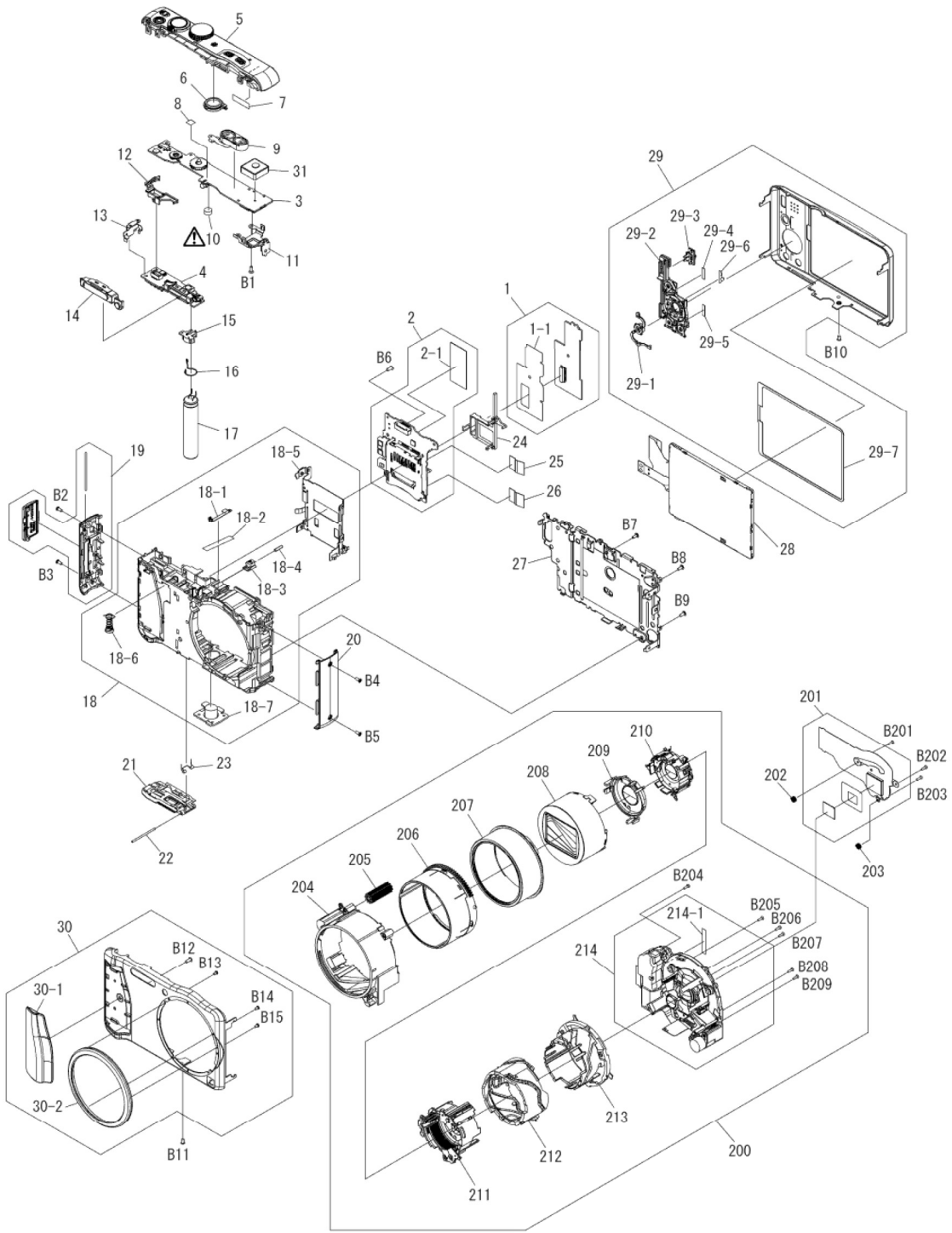
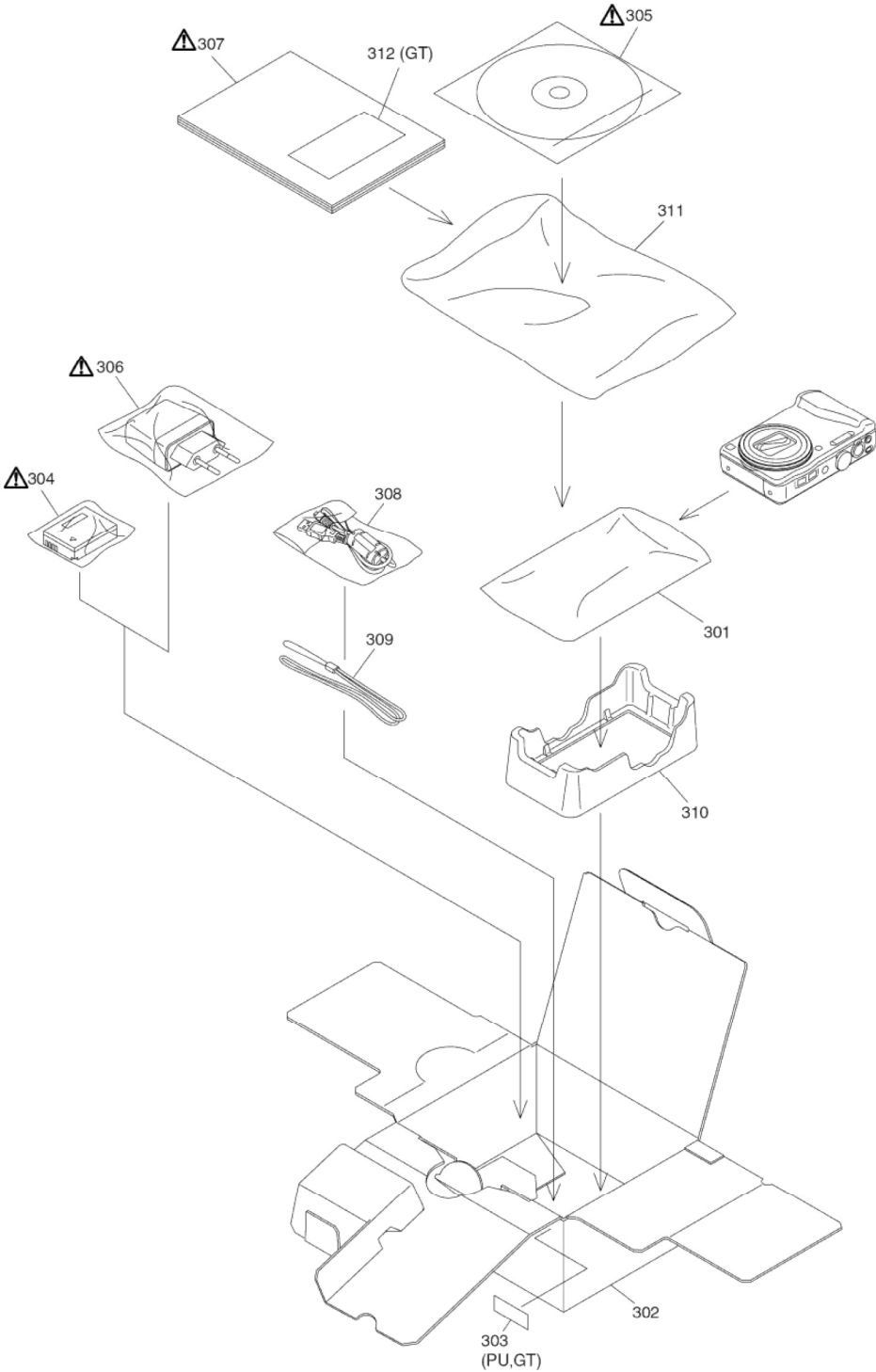


Model No. : DMC-TZ27/TZ30/TZ31/ZS19/ZS20 Frame and Casing Section



Model No. : DMC-TZ27/TZ30/TZ31/ZS19/ZS20 Packing Parts and Accessories Section (1)

(except for P/PC)



Model No. : DMC-TZ27/TZ30/TZ31/ZS19/ZS20 Packing Parts and Accessories Section (2)

(Only P,PC)

