

S6. Replacement Parts List

- Note: 1.* Be sure to make your orders of replacement parts according to this list.
2. IMPORTANT SAFETY NOTICE
Components identified with the mark \triangle have the special characteristics for safety.
When replacing any of these components, use only the same type.
3. Unless otherwise specified,
All resistors are in OHMS, K=1,000 OHMS. All capacitors are in MICRO-FARADS (uf), P=uuF.
4. The marking (RTL) indicates the retention time is limited for this item. After the discontinuation of this assembly in production, it will no longer be available.
5. Supply of CD-ROM, in accordance with license protection, is allowable as replacement parts only for customers who accidentally damaged or lost their own.

E.S.D. standards for Electrostatically Sensitive Devices, refer to PREVENTION OF ELECTROSTATIC DISCHARGE (ESD) TO ELECTROSTATICALLY SENSITIVE (ES) DEVICES section.

Definition of Parts supplier:

1. Parts marked with [MBI] in the remarks column are supplied from **Matsushita Battery Industrial Co., Ltd.**

DMC-LX3P/PC/PL/E/EB/EE/EF/EG/GC/GD/GK/GN/GT/GJ/SG

| Ref.No. | Part No. | Part Name & Description | Pcs | Remarks | Ref.No. | Part No. | Part Name & Description | Pcs | Remarks |
|----------|--------------|--------------------------|-----|--------------|---------|--------------|--------------------------|-----|---------|
| | | ----- P.C.B. LIST ----- | | | FP8001 | K1MN12BA0209 | CONNECTOR 12P | 1 | |
| ■ | VEP58061A | FLASH P.C.B. | 1 | (RTL) E.S.D. | IC8001 | C0ZBZ0000914 | IC | 1 | E.S.D. |
| ■ | VEP59055A | TOP P.C.B. | 1 | (RTL) E.S.D. | IC8002 | B4ABC0000029 | IC | 1 | E.S.D. |
| | | | | | | | | | |
| | | --- INDIVIDUAL PARTS --- | | | P8001 | K1KA02B00292 | CONNECTOR 2P | 1 | |
| | | | | | P8002 | K1KA02BA0022 | CONNECTOR 2P | 1 | |
| • C8003 | F2A2F9500005 | E.CAPACITOR | 1 | | • Q8001 | B1JBLP000016 | TRANSISTOR | 1 | E.S.D. |
| ET8001 | VMB4216 | CONDENSER EARTH SPRING | 1 | | Q8009 | B1DFCG000020 | TRANSISTOR | 1 | E.S.D. |
| | | | | | | | | | |
| | | --- ELEC. COMPONENTS --- | | | R8002 | ERJ3GEYJ104 | M.RESISTOR CH 1/10W 100K | 1 | |
| ■ | VEP58061A | FLASH P.C.B. | 1 | (RTL) E.S.D. | R8003 | ERJ3GEYJ470 | M.RESISTOR CH 1/10W 47 | 1 | |
| C9901 | ECJ0EB1C103K | C.CAPACITOR CH 16V 0.01U | 1 | | R8006 | ERJ8GEYJ105V | M.RESISTOR CH 1/8W 1M | 1 | |
| C9902 | ECJ0EB1E332K | C.CAPACITOR CH 25V 3300P | 1 | | R8013 | ERJ2RHD153X | M.RESISTOR CH 1/16W 15K | 1 | |
| C9904 | F1G1A104A012 | C.CAPACITOR CH 10V 0.1U | 1 | | R8021 | ERJ2GEJ153 | M.RESISTOR CH 1/16W 15K | 1 | |
| | | | | | R8032 | ERJ6RED105 | M.RESISTOR CH 1/16W 1M | 1 | |
| | | | | | R8033 | ERJ6RED105 | M.RESISTOR CH 1/16W 1M | 1 | |
| D9901 | MAZ80820ML | DIODE | 1 | E.S.D. | T8001 | G5D1A0000066 | TRANSFORMER | 1 | |
| D9902 | B3ADB0000120 | DIODE | 1 | E.S.D. | | | | | |
| D9903 | B2ABDR000010 | DIODE | 1 | E.S.D. | | | | | |
| | | | | | | | | | |
| ET9901 | K4AC01D00001 | EARTH SPRING | 1 | | | | | | |
| ET9902 | K4AC01D00001 | EARTH SPRING | 1 | | | | | | |
| • F9901 | ERBSE1R50U | FUSE 32V 1.5A | 1 | | | | | | |
| FP9921 | K1MN08BA0208 | CONNECTOR 8P | 1 | | | | | | |
| | | | | | | | | | |
| • LB9911 | J0JCC0000317 | FILTER | 1 | | | | | | |
| • LB9912 | J0JCC0000317 | FILTER | 1 | | | | | | |
| | | | | | | | | | |
| M9901 | L0CBAA000012 | MICROPHONE UNITS | 1 | | | | | | |
| PS9901 | K1KB30AA0116 | CONNECTOR 30P | 1 | | | | | | |
| | | | | | | | | | |
| Q9901 | B1CFHC000005 | TRANSISTOR | 1 | E.S.D. | | | | | |
| QR9903 | B1GKCFJN0008 | TRANSISTOR-RESISTOR | 1 | E.S.D. | | | | | |
| | | | | | | | | | |
| R9901 | ERJ2GEJ432X | M.RESISTOR CH 1/16W 4.3K | 1 | | | | | | |
| R9902 | ERJ2GEJ822 | M.RESISTOR CH 1/16W 8.2K | 1 | | | | | | |
| R9903 | ERJ2GEJ242 | M.RESISTOR CH 1/16W 2.4K | 1 | | | | | | |
| R9904 | ERJ2GEJ243 | M.RESISTOR CH 1/16W 24K | 1 | | | | | | |
| R9905 | ERJ2GEJ242 | M.RESISTOR CH 1/16W 2.4K | 1 | | | | | | |
| R9906 | ERJ2GEJ432X | M.RESISTOR CH 1/16W 4.3K | 1 | | | | | | |
| R9907 | ERJ2GEJ822 | M.RESISTOR CH 1/16W 8.2K | 1 | | | | | | |
| R9911 | ERJ2GEJ473 | M.RESISTOR CH 1/16W 47K | 1 | | | | | | |
| R9914 | ERJ8GEYJ106 | M.RESISTOR CH 1/8W 10M | 1 | | | | | | |
| R9915 | ERJ8GEYJ106 | M.RESISTOR CH 1/8W 10M | 1 | | | | | | |
| R9916 | ERJ2GEJ102X | M.RESISTOR CH 1/16W 1K | 1 | | | | | | |
| R9917 | ERJ2GEJ471 | M.RESISTOR CH 1/16W 470 | 1 | | | | | | |
| R9918 | ERJ2GEJ153 | M.RESISTOR CH 1/16W 15K | 1 | | | | | | |
| R9919 | ERJ2GEJ472 | M.RESISTOR CH 1/16W 4.7K | 1 | | | | | | |
| R9920 | D0GB6R8JA057 | RESISTOR | 1 | | | | | | |
| R9921 | D0GB6R8JA057 | RESISTOR | 1 | | | | | | |
| | | | | | | | | | |
| S9901 | K0G199A00010 | SWITCH | 1 | | | | | | |
| S9902 | K0F212A00003 | SWITCH | 1 | | | | | | |
| S9903 | K0D112B00145 | SWITCH | 1 | | | | | | |
| S9904 | K0L1CB000003 | SWITCH | 1 | | | | | | |
| S9905 | K0F111A00541 | SWITCH | 1 | | | | | | |
| | | | | | | | | | |
| ■ | VEP59055A | TOP P.C.B. | 1 | (RTL) E.S.D. | | | | | |
| | | | | | | | | | |
| C8001 | F1H0J1060002 | C.CAPACITOR CH 6.3V 10U | 1 | | | | | | |
| C8004 | F1K2J102A028 | C.CAPACITOR 630V 1000P | 1 | | | | | | |
| C8006 | F1K2E4730005 | C.CAPACITOR 250V 0.047U | 1 | | | | | | |
| C8007 | F1G1A104A012 | C.CAPACITOR CH 10V 0.1U | 1 | | | | | | |
| C8009 | ECJ3YB0J106K | C.CAPACITOR CH 6.3V 10U | 1 | | | | | | |
| C8010 | F1G1A104A012 | C.CAPACITOR CH 10V 0.1U | 1 | | | | | | |
| | | | | | | | | | |
| D8002 | B0EDAT000002 | DIODE | 1 | E.S.D. | | | | | |
| • F8001 | ERBSE1R25U | FUSE 32V 1.25A | 1 | | | | | | |

DMC-LX3P/PC/PL/E/EB/EE/EF/EG/GC/GD/GK/GN/GT/GJ/SG

| Ref.No. | Part No. | Part Name & Description | Pcs | Remarks |
|---------|--------------|-------------------------|-----|--------------|
| 1 | ML421S/ZT | BUTTON BATTERY | 1 | (B9101)(MBI) |
| 2 | VEP56067A | MAIN P.C.B. | 1 | (RTL) E.S.D. |
| 3 | VGQ8573 | JOY STICK COVER | 1 | |
| 4 | VGU0A02 | JOY STICK KNOB | 1 | (S) |
| 4 | VGU0D59 | JOY STICK KNOB | 1 | (K) |
| 5 | L0AA01A00032 | SPEAKER | 1 | |
| 6 | VGQ9445 | BATTERY LOCK KNOB | 1 | |
| 7 | VGQ9938 | BATTERY HOLDER | 1 | |
| 8 | VMB3962 | BATTERY LOCK SPRING | 1 | |
| 9 | VMB4208 | BATTERY OUT SPRING | 1 | |
| 10 | VMP9128 | BATTERY CASE | 1 | |
| 11 | VYF3213 | BATTERY DOOR UNIT | 1 | (S) |
| 11 | VYF3212 | BATTERY DOOR UNIT | 1 | (K) |
| 11-1 | VMB4150 | BATTERY DOOR SPRING | 1 | |
| 11-2 | VMS7919 | BATTERY DOOR SHAFT | 1 | |
| 12 | VGQ9950 | JACK BASE | 1 | |
| 13 | VKF4361 | JACK DOOR | 1 | (S) |
| 13 | VKF4362 | JACK DOOR | 1 | (K) |
| 14 | VMC1969 | JACK DOOR SPRING | 1 | |
| 15 | VMS7924 | JACK DOOR SHAFT | 1 | |
| 16 | K4ZZ03000331 | CONNECTOR 3P | 1 | |
| 17 | VEP58062B | HOT SHOE FPC UNIT | 1 | (S) |
| 17 | VEP58062A | HOT SHOE FPC UNIT | 1 | (K) |
| 18 | VEP59055A | TOP P.C.B. | 1 | (RTL) E.S.D. |
| 19 | VGQ8198 | MODE TAPE | 1 | |
| 20 | VGQ8198 | MODE TAPE | 1 | |
| 21 | VGQ8519 | COUPLING PLATE | 1 | |
| 22 | VGQ9946 | HOT SHOE COVER | 1 | (S) |
| 22 | VGQ9952 | HOT SHOE COVER | 1 | (K) |
| 23 | VMP9135 | TOP PLATE | 1 | |
| 24 | VYK2W80 | FLASH UNIT | 1 | (S) |
| 24 | VYK2W79 | FLASH UNIT | 1 | (K) |
| 25 | VGQ9961 | FLASH TAPE A | 1 | |
| 30 | F2A2F9500005 | E.CAPACITOR | 1 | (C8003) |
| 31 | VEP58061A | FLASH P.C.B. | 1 | (RTL) E.S.D. |
| 32 | VGQ9953 | FLASH PCB COVER | 1 | |
| 33 | VMB4216 | CONDENSER EARTH SPRING | 1 | (ET8001) |
| 34 | VWJ2055 | MAIN-FLASH JOINT FPC | 1 | |
| 35 | VYK2T24 | TOP CASE (1) UNIT | 1 | (S) |
| 35 | VYK2T23 | TOP CASE (1) UNIT | 1 | (K) |
| 36 | VYQ4113 | MIC DAMPER | 1 | |
| 37 | VKH0434 | STRAP HOLDER | 1 | |
| 38 | VKH0435 | STRAP HOLDER | 1 | |
| 39 | VMC2020 | HOT SHOE SPRING | 1 | (S) |
| 39 | VMC2008 | HOT SHOE SPRING | 1 | (K) |
| 40 | VMP9151 | TRIPOD | 1 | |
| 42 | VGQ0A50 | CAPTON TAPE | 1 | |
| 43 | VGQ9941 | REAR PLATE SHEET | 1 | |
| 45 | VMP9125 | REAR PLATE | 1 | |
| 46 | VYK2W84 | REAR CASE UNIT | 1 | (S) |
| 46 | VYK2W83 | REAR CASE UNIT | 1 | (K) |
| 46-1 | VGL1276 | REAR PANEL LIGHT | 1 | |
| 46-2 | VGU0C81 | CURSOR BUTTON | 1 | (S) |
| 46-2 | VGU0D26 | CURSOR BUTTON | 1 | (K) |
| 47 | VYK2T86 | LCD UNIT | 1 | |
| 48 | VGK3439 | FRONT GRIP | 1 | (S) |
| 48 | VGK3443 | FRONT GRIP | 1 | (K) |
| 49 | VGK3440 | FRONT GRIP ORNAMENT | 1 | (S) |
| 49 | VGK3444 | FRONT GRIP ORNAMENT | 1 | (K) |
| 50 | VGL1280 | AF PANEL LIGHT | 1 | |
| 51 | VMP9130 | FRONT PLATE | 1 | |
| 52 | VYK2R51 | LENS ORNAMENT UNIT | 1 | (S) |
| 52 | VYK2R52 | LENS ORNAMENT UNIT | 1 | (K) |
| 52-1 | VEKOM79 | AF/MF-ASPECT FPC UNIT | 1 | |
| 52-2 | VGK3436 | LENS RING FRONT | 1 | (S) |
| 52-2 | VGK3437 | LENS RING FRONT | 1 | (K) |
| 53 | VYK2T20 | FRONT CASE UNIT | 1 | (S) |
| 53 | VYK2T19 | FRONT CASE UNIT | 1 | (K) |
| 54 | VGQ9937 | SLIDE SW BASE | 1 | |
| 55 | VGU0C82 | SLIDE KNOB | 1 | (S) |
| 55 | VGU0C94 | SLIDE KNOB | 1 | (K) |
| 56 | VGQ0B57 | SLIDE KNOB SHEET | 1 | (S) |
| 56 | VGQ0B56 | SLIDE KNOB SHEET | 1 | (K) |
| 57 | VGQ0B61 | DPR SHEET | 1 | |

| Ref.No. | Part No. | Part Name & Description | Pcs | Remarks |
|---------|--------------|-------------------------|-----|---------|
| B1 | VHD1759 | SCREW | 1 | |
| B2 | VHD2030 | SCREW | 1 | |
| B3 | XQN14+BJ6FN | SCREW | 1 | |
| B4 | VHD1759 | SCREW | 1 | |
| B5 | VHD1803 | SCREW | 1 | |
| B6 | VHD1759 | SCREW | 1 | |
| B7 | VHD1759 | SCREW | 1 | |
| B8 | VHD1803 | SCREW | 1 | |
| B9 | VHD1803 | SCREW | 1 | |
| B10 | XQN14+BJ75FN | SCREW | 1 | |
| B11 | XQN14+BJ75FN | SCREW | 1 | |
| B12 | XQN14+BJ75FN | SCREW | 1 | |
| B13 | VHD1678 | SCREW | 1 | |
| B14 | VHD1678 | SCREW | 1 | |
| B15 | VHD2018 | SCREW | 1 | (S) |
| B15 | VHD2041 | SCREW | 1 | (K) |
| B16 | VHD2018 | SCREW | 1 | (S) |
| B16 | VHD2041 | SCREW | 1 | (K) |
| B17 | VHD2019 | SCREW | 1 | (S) |
| B17 | VHD2022 | SCREW | 1 | (K) |
| B18 | VHD2019 | SCREW | 1 | (S) |
| B18 | VHD2022 | SCREW | 1 | (K) |
| B19 | VHD2019 | SCREW | 1 | (S) |
| B19 | VHD2022 | SCREW | 1 | (K) |
| B20 | VHD2019 | SCREW | 1 | (S) |
| B20 | VHD2022 | SCREW | 1 | (K) |
| B21 | VHD2019 | SCREW | 1 | (S) |
| B21 | VHD2022 | SCREW | 1 | (K) |
| B22 | VHD2019 | SCREW | 1 | (S) |
| B22 | VHD2022 | SCREW | 1 | (K) |
| B23 | VHD2019 | SCREW | 1 | (S) |
| B23 | VHD2022 | SCREW | 1 | (K) |
| B24 | XQN14+BJ75FN | SCREW | 1 | |
| B25 | XQN14+BJ75FN | SCREW | 1 | |
| B26 | XQN14+BJ75FN | SCREW | 1 | |
| B27 | VHD1839 | SCREW | 1 | |
| B28 | VHD1839 | SCREW | 1 | |
| B29 | VHD1839 | SCREW | 1 | |
| B30 | VHD1839 | SCREW | 1 | |
| B31 | VHD1759 | SCREW | 1 | |

DMC-LX3P/PC/PL/E/EB/EE/EF/EG/GC/GD/GK/GN/GT/GJ/SG

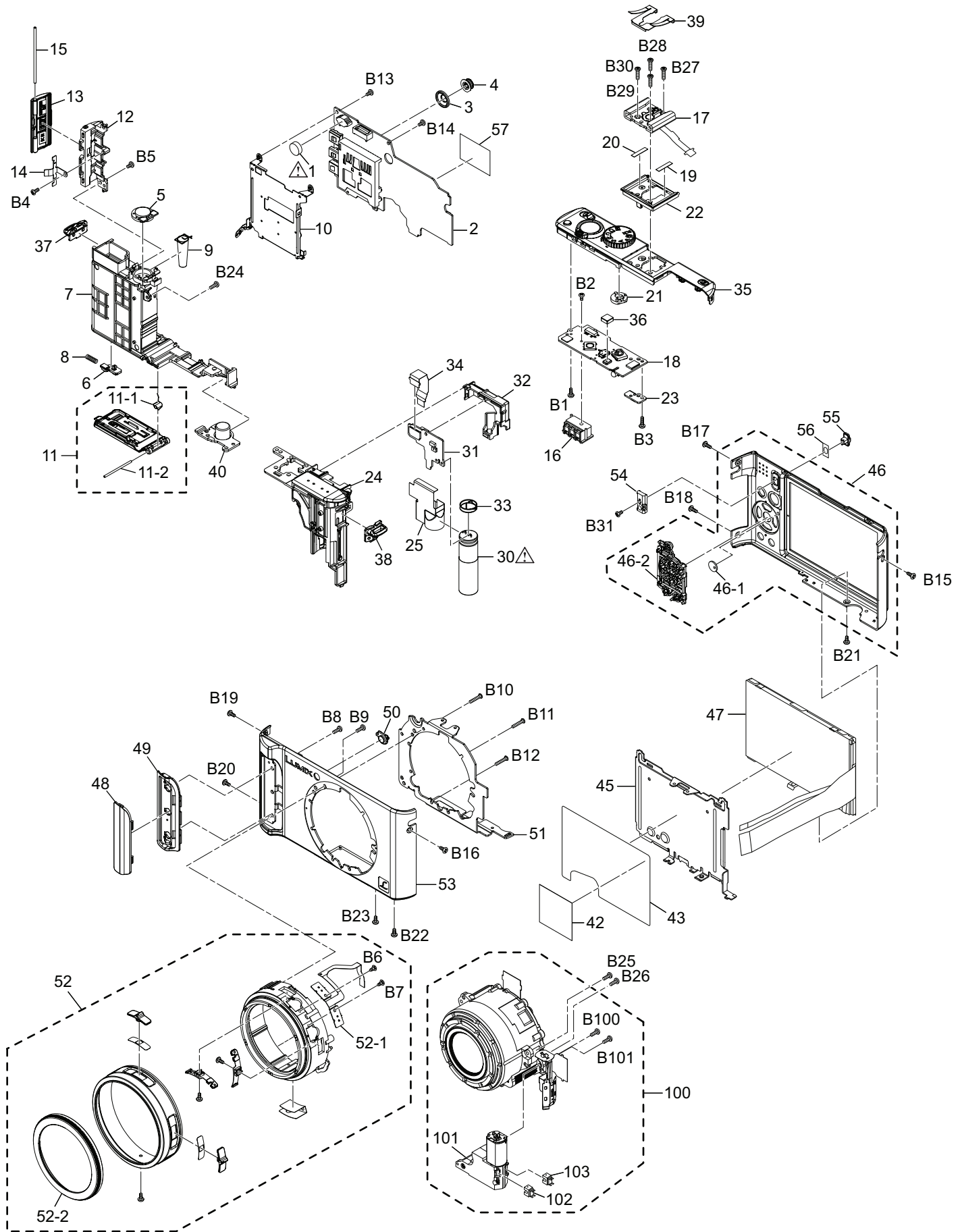
| Ref.No. | Part No. | Part Name & Description | Pcs | Remarks | Ref.No. | Part No. | Part Name & Description | Pcs | Remarks |
|---------|--------------|-------------------------|-----|---------|---------|--------------|-------------------------------------------|-----|------------------|
| 100 | VXW0963 | LENS UNIT(W/CCD) | 1 | (K) | 200 | VPF1137 | CAMERA BAG | 1 | P PC |
| 100 | VXW0972 | LENS UNIT(W/CCD) | 1 | (S) | • 202 | DE-A41BB | BATTERY CHARGER | 1 | P PC |
| 101 | L6DAACGC0001 | ZOOM MOTOR UNIT | 1 | | • 203 | ----- | BATTERY | 1 | |
| 102 | B3NBA0000011 | PHOTO SENSOR | 1 | | 204 | K1HA08CD0019 | USB CABLE W/PLUG | 1 | |
| 103 | B3NBA0000011 | PHOTO SENSOR | 1 | | 205 | K1HA08CD0020 | AV CABLE W/PLUG | 1 | |
| | | | | | 206 | VFC4324 | STRAP | 1 | |
| B100 | XQN14+CJ4FN | SCREW | 1 | | 207 | VFF0423-S | CD-ROM(OVERSEAS) | 1 | P PC See "Notes" |
| B101 | XQN14+CJ4FN | SCREW | 1 | | 208 | VPK3627 | PACKING CASE | 1 | PS |
| | | | | | 208 | VPK3631 | PACKING CASE | 1 | PK PCK |
| | | | | | 209 | VPN6720 | CUSHION | 1 | P PC |
| | | | | | 211 | VPF1294 | BAG, POLYETHYLENE | 1 | P PC |
| | | | | | • 213 | VQT1T27 | INSTRUCTION BOOK (ENGLISH) | 1 | P PC |
| | | | | | • 213 | VQT1T28 | SIMPLIFIED O/I (SPANISH) | 1 | P |
| | | | | | • 213 | VQT1T29 | INSTRUCTION BOOK (CANADIAN FRENCH) | 1 | PC |
| | | | | | 214 | VQT1S75 | O/I SOFTWARE (ENGLISH/CANSDIAN FRENCH) | 1 | P PC |
| | | | | | 215 | VYQ3509 | BATTERY CARRYING CASE U | 1 | P PC |
| | | | | | 216 | VFC4366 | LENS CAP STRING | 1 | |
| | | | | | 217 | VYF3200 | LENS CAP UNIT | 1 | (S) |
| | | | | | 217 | VYF3198 | LENS CAP UNIT | 1 | (K) |

DMC-LX3P/PC/PL/E/EB/EE/EF/EG/GC/GD/GK/GN/GT/GJ/SG

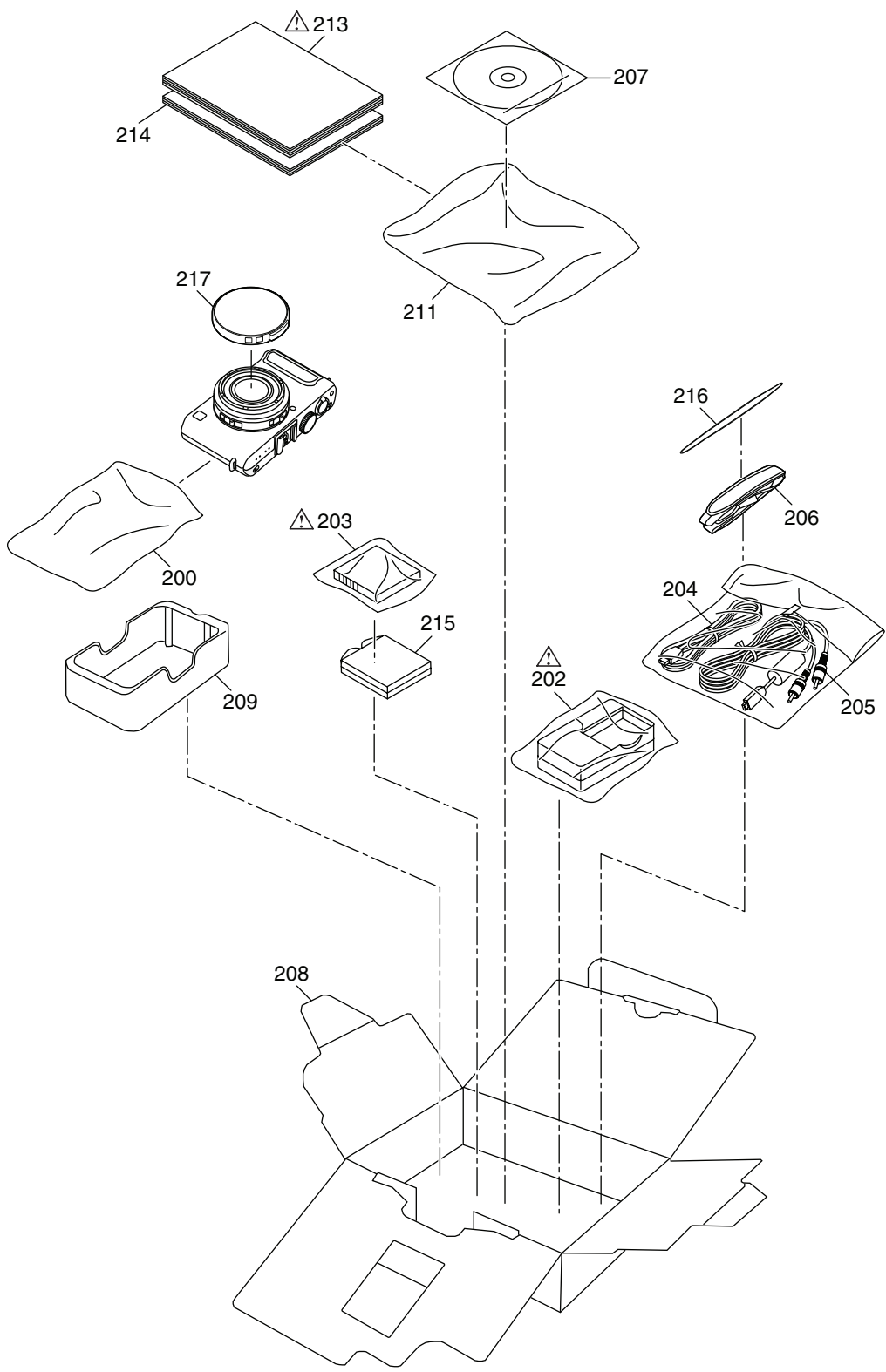
| Ref.No. | Part No. | Part Name & Description | Pcs | Remarks | Ref.No. | Part No. | Part Name & Description | Pcs | Remarks |
|---------|--------------|----------------------------------------------------------------------|-----|---------------------------------------------------|---------|--------------|-------------------------------------------------------------------|-----|--------------------------------------------|
| 300 | VPF1137 | CAMERA BAG | 1 | EXCEPT P PC | 314 | VQT1S82 | O/I SOFTWARE (ENGLISH/CHINESE(TRADITIONAL) /ARABIC/PERSIAN) | 1 | GC GJ SG |
| • 302 | DE-A41BB | BATTERY CHARGER | 1 | PL | 314 | VQT1S84 | O/I SOFTWARE (CHINESE(TRADITIONAL)) | 1 | GT |
| • 302 | DE-A42AA | BATTERY CHARGER | 1 | E EB EF EG GN | 314 | VQT1S85 | O/I SOFTWARE (CHINESE(SIMPLIFIED)) | 1 | GK |
| • 302 | DE-A42AB | BATTERY CHARGER | 1 | SG | 314 | VQT1S86 | O/I SOFTWARE (KOREAN) | 1 | GD |
| • 302 | DE-A42BA | BATTERY CHARGER | 1 | EE GC GD GK GJ | 315 | VYQ3509 | BATTERY CARRYING CASE U | 1 | P PC PL E EB EE EF EG GC GD GN GT GJ SG |
| • 302 | DE-A42CA | BATTERY CHARGER | 1 | GT | 315 | VYQ4385 | BATTERY CARRYING CASE U | 1 | GK |
| • 303 | ---- | BATTERY | 1 | EXCEPT P PC | 316 | VFC4366 | LENS CAP STRING | 1 | EXCEPT P PC |
| 304 | K1HA08CD0019 | USB CABLE W/PLUG | 1 | EXCEPT P PC | 317 | VYF3198 | LENS CAP UNIT | 1 | (K) |
| 305 | K1HA08CD0020 | AV CABLE W/PLUG | 1 | EXCEPT P PC | 317 | VYF3200 | LENS CAP UNIT | 1 | (S) |
| 306 | VFC4324 | STRAP | 1 | EXCEPT P PC | 318 | VQL1G34 | OPERATING LABEL | 1 | GT |
| 307 | VFF0423-S | CD-ROM(OVERSEAS) | 1 | PL E EB EE EF EG GC GD GN GT GJ SG | • 319 | K2CT3CA00004 | AC CORD W/PLUG | 1 | EB GC |
| | | | | See "Notes" | • 320 | K2CP2YY00001 | AC CORD W/PLUG | 1 | GJ |
| 307 | VFF0424-S | CD-ROM(OVERSEAS) | 1 | GK See "Notes" | • 320 | K2CQ2CA00006 | AC CORD W/PLUG | 1 | E EE EF EG GC |
| 308 | VPK3628 | PACKING CASE | 1 | ES EBS EES EFS EGS GCS SGS | • 321 | K2CR2CA00003 | AC CORD W/PLUG | 1 | GD |
| 308 | VPK3629 | PACKING CASE | 1 | GKS | • 322 | K2CA2CA00020 | AC CORD W/PLUG | 1 | GK |
| 308 | VPK3632 | PACKING CASE | 1 | PLK EK EBK EEK EFK EGK GCK GDK GNK GTK GJK SGK | • 322 | K2CA2CA00027 | AC CORD W/PLUG | 1 | GT |
| 308 | VPK3633 | PACKING CASE | 1 | GKK | • 322 | K2CA2CA00019 | AC CORD W/PLUG | 1 | SG |
| 309 | VPN6720 | CUSHION | 1 | EXCEPT P PC | • 323 | K2CJ2DA00008 | AC CORD W/PLUG | 1 | GN |
| 310 | VPN6664 | PAD | 1 | PL E EE EF EG GD GK GN GT GJ SG | | | | | |
| 310 | VPN6666 | PAD | 1 | EB GC | | | | | |
| 311 | VPF1294 | BAG, POLYETHYLENE | 1 | EXCEPT P PC | | | | | |
| • 312 | VFF0436 | CD-ROM(INSTRUCTION BOOK) | 1 | PL E EG GC GJ SG | | | | | |
| • 313 | VQT1T30 | SIMPLIFIED O/I (ENGLISH/SPANISH) | 1 | PL | | | | | |
| • 313 | VQT1T31 | SIMPLIFIED O/I (PORTUGUESE) | 1 | PL | | | | | |
| • 313 | VQT1T32 | SIMPLIFIED O/I (GERMAN/FRENCH) | 1 | EG | | | | | |
| • 313 | VQT1T33 | SIMPLIFIED O/I (ITALIAN/DUTCH) | 1 | EG | | | | | |
| • 313 | VQT1T34 | SIMPLIFIED O/I (SPANISH/PORTUGUESE) | 1 | EG | | | | | |
| • 313 | VQT1T35 | SIMPLIFIED O/I (SWEDISH/DANISH) | 1 | E | | | | | |
| • 313 | VQT1T36 | SIMPLIFIED O/I (POLISH/CZECH) | 1 | E | | | | | |
| • 313 | VQT1T37 | SIMPLIFIED O/I (HUNGARIAN/FI) | 1 | E | | | | | |
| • 313 | VQT1T38 | INSTRUCTION BOOK (FRENCH) | 1 | EF | | | | | |
| • 313 | VQT1T39 | INSTRUCTION BOOK (ENGLISH) | 1 | EB | | | | | |
| • 313 | VQT1T40 | INSTRUCTION BOOK (RUSSIAN) | 1 | EE | | | | | |
| • 313 | VQT1T41 | INSTRUCTION BOOK (UKRAINIAN) | 1 | EE | | | | | |
| • 313 | VQT1T42 | SIMPLIFIED O/I (ENGLISH/CHINESE(TRADITIONAL)) | 1 | GC GJ SG | | | | | |
| • 313 | VQT1T43 | SIMPLIFIED O/I (ARABIC/PERSIAN) | 1 | GC | | | | | |
| • 313 | VQT1T44 | INSTRUCTION BOOK (CHINESE(TRADITIONAL)) | 1 | GT | | | | | |
| • 313 | VQT1T45 | INSTRUCTION BOOK (CHINESE(SIMPLIFIED)) | 1 | GK | | | | | |
| • 313 | VQT1T46 | INSTRUCTION BOOK (ENGLISH) | 1 | GN | | | | | |
| • 313 | VQT1T47 | INSTRUCTION BOOK (KOREAN) | 1 | GD | | | | | |
| 314 | VQT1S76 | O/I SOFTWARE (ENGLISH/SPANISH/PORTUGUESE) | 1 | PL | | | | | |
| 314 | VQT1S77 | O/I SOFTWARE (GERMAN/FRENCH/ITALIAN /DUTCH/SPANISH/PORTUGUESE) | 1 | EG | | | | | |
| 314 | VQT1S78 | O/I SOFTWARE (FI/SWEDISH/DANISH/POLISH /CZECH/HUNGARIAN) | 1 | E | | | | | |
| 314 | VQT1S79 | O/I SOFTWARE (FRENCH) | 1 | EF | | | | | |
| 314 | VQT1S80 | O/I SOFTWARE (ENGLISH) | 1 | EB GN | | | | | |
| 314 | VQT1S81 | O/I SOFTWARE (RUSSIAN/UKRAINIAN) | 1 | EE | | | | | |

S7. Exploded View

S7.1. Frame and Casing Section



S7.2. Packing Parts and Accessories Section (1)



S7.3. Packing Parts and Accessories Section (2)

