

S5. Replacement Parts List

- Note:
- 1.* Be sure to make your orders of replacement parts according to this list.
 2. IMPORTANT SAFETY NOTICE
Components identified with the mark \triangle have the special characteristics for safety.
When replacing any of these components, use only the same type.
 3. Unless otherwise specified,
All resistors are in OHMS, K=1,000 OHMS. All capacitors are in MICRO-FARADS (uf), P=uuF.
 4. The marking (RTL) indicates the retention time is limited for this item. After the discontinuation of this assembly in production, it will no longer be available.

E.S.D. standards for Electrostatically Sensitive Devices, refer to “PREVENTION OF ELECTROSTATIC DISCHARGE (ESD) TO ELECTROSTATICALLY SENSITIVE (ES) DEVICES” section.

Definition of Parts supplier:

1. Parts marked with [MBI] in the remarks column are supplied from
“Matsushita Battery Industrial Co., Ltd.”
2. Parts marked with [PAVC-CSG] in the remarks column are supplied from
PAVC COMPANY CS Group (PAVC-CSG).
Others are supplied from “Panasonic Shikoku Electronics Co., Ltd.” (PSEC-SAIJO).

DMC-FZ8EB-S/K,EF-S/K,EGM-S/K,EG-S/K,PL-K,EE-S/K,GC-S/K,GD-K,GN-S/K,GK-S/K,GT-K,SG-S/K,P-S/K,PC-S/K

Ref.No.	Part No.	Part Name & Description	Pcs	Remarks
2	VDW1402	LENS RING FRONT	1 (-S)	
2	VDW1403	LENS RING FRONT	1 (-K)	
3	VGU0A71	FLASH LOCK LEVER KNOB	1 (-S)	
3	VGU9907	FLASH LOCK LEVER KNOB	1 (-K)	
4	VYK1Z50	FRONT CASE UNIT	1 (-S)	
4	VYK1Z51	FRONT CASE UNIT	1 (-K)	
4-1	VGQ9264	GRIP PIECE FRONT	1 (-S) [PAVC-CSG]	
4-1	VGQ8737	GRIP PIECE FRONT	1 (-K) [PAVC-CSG]	
4-2	VMS7523	STRAP HOLDER	1 [PAVC-CSG]	
8	VYK1Z57	FLASH UNIT	1 (-S)	
8	VYK1Z58	FLASH UNIT	1 (-K)	
8-1	VKM7055	FLASH CASE TOP	1 (-S)	
8-1	VKM6873	FLASH CASE TOP	1 (-K)	
8-2	VYQ3749	FLASH SW UNIT	1	
10	VYQ3898	EVF UNIT	1 (-S)	
10	VYQ3899	EVF UNIT	1 (-K)	
20	VYQ3616	JACK DOOR UNIT	1 (-K)	
20	VYQ3903	JACK DOOR UNIT	1 (-S)	
53	VXP2452	2ND LENS FRAME UNIT	1 [PAVC-CSG]	
54	VDW1147	MIDDLE FRAME	1 [PAVC-CSG]	
55	L6HA88NC0005	FOCUS MOTOR UNIT	1 [PAVC-CSG]	
56	VXP2739	3RD LENS FRAME UNIT	1 [PAVC-CSG]	
57	VXP2459	4TH LENS FRAME UNIT	1 [PAVC-CSG]	
58	VDW1167	CAM FRAME	1 [PAVC-CSG]	
59	VDW1431	MASTER FLANGE	1 [PAVC-CSG]	
60	L6DAAAHB0001	ZOOM MOTOR UNIT	1 [PAVC-CSG]	
61	VEK0K90	LENS FLEX. UNIT	1 [PAVC-CSG]	
61-1	B3NAA0000074	PHOTO SENSOR	1 [PAVC-CSG]	
61-2	B3NAA0000074	PHOTO SENSOR	1 [PAVC-CSG]	
61-3	B3NAA0000074	PHOTO SENSOR	1 [PAVC-CSG]	
61-4	B3NAA0000074	PHOTO SENSOR	1 [PAVC-CSG]	
62	VDL1946	OPTICAL FILTER	1 [PAVC-CSG]	
63	VMX3571	CCD CUSHION RUBBER	1 [PAVC-CSG]	
64	VEK0K82	CCD UNIT	1 [PAVC-CSG] E.S.D.	
65	VXP2683	1ST LENS FRAME UNIT	1 (-S) [PAVC-CSG]	
65	VXP2682	1ST LENS FRAME UNIT	1 (-K) [PAVC-CSG]	
71	VMS7580	FOCUS GUIDE POLE	1 [PAVC-CSG]	
72	VMS7580	FOCUS GUIDE POLE	1 [PAVC-CSG]	
73	VXW0884	LENS UNIT(W/O CCD)	1 (-S) [PAVC-CSG]	
73	VXW0885	LENS UNIT(W/O CCD)	1 (-K) [PAVC-CSG]	
B1	VHD1680	SCREW	1 (-S)	
B1	VHD1684	SCREW	1 (-K)	
B5	XQN16+BJ4FN	SCREW	1	
B6	XQN16+BJ4FN	SCREW	1	
B7	VHD1869	SCREW	1	
B8	VHD1869	SCREW	1	
B9	VHD1869	SCREW	1	
B10	VHD1839	SCREW	1	
B14	XQN16+BJ6FN	SCREW	1	
B15	XQN16+BJ8FN	SCREW	1	
B16	XQN16+BJ8FN	SCREW	1	
B21	XQN16+BJ5FN	SCREW	1 (-S)	
B21	VHD1870	SCREW	1 (-K)	
B24	VHD1680	SCREW	1 (-S)	
B24	VHD1684	SCREW	1 (-K)	
B25	VHD1765	SCREW	1	
B26	VHD1765	SCREW	1	
B27	VHD1765	SCREW	1	
B50	XQN14+CJ3FN	SCREW	1 [PAVC-CSG]	
B51	XQN14+CJ3FN	SCREW	1 [PAVC-CSG]	
B52	XQN14+CJ3FN	SCREW	1 [PAVC-CSG]	
B53	XQN16+CJ5FJ	SCREW	1 [PAVC-CSG]	
B54	XQN16+CJ5FJ	SCREW	1 [PAVC-CSG]	
B55	XQN16+CJ5FJ	SCREW	1 [PAVC-CSG]	
B56	XQN16+CJ5FJ	SCREW	1 [PAVC-CSG]	
B57	XQN16+CJ5FJ	SCREW	1 [PAVC-CSG]	
B58	XQN16+CJ5FJ	SCREW	1 [PAVC-CSG]	
B59	XQN16+CJ5FJ	SCREW	1 [PAVC-CSG]	
B60	XQN16+CJ5FJ	SCREW	1 [PAVC-CSG]	
B61	XQN16+CJ5FJ	SCREW	1 [PAVC-CSG]	
B62	XQN16+CJ5FJ	SCREW	1 [PAVC-CSG]	
B63	XQN16+CJ5FJ	SCREW	1 [PAVC-CSG]	

Ref.No.	Part No.	Part Name & Description	Pcs	Remarks
1	K0RB01000010	TOP OPERATION UNIT	1 (-S)	
1	K0RB01000011	TOP OPERATION UNIT	1 (-K)	
11	K1ZZ00001294	BATTERY CACHER	1	
12	VEE1C18	AF LED & MIC WIRE	1	
13	VEP56045A	MAIN P.C.B.	1 E.S.D.(RTL)	
14	VGQ8573	JOY COVER	1	
15	VGQ9383	CONDENSER HOLDER	1	
16	VGQ8747	AF LED PCB HOLDER	1	
17	VGU9911-1	JOY STICK KNOB	1	
18	VYK1Z54	BATTERY FRAME UNIT	1 (-S)	
18	VYK1Z89	BATTERY FRAME UNIT	1 (-K)	
18-1	VMB4039	BATTERY SPRING	1 [PAVC-CSG]	
21	VEP59038A	AF LED/MIC P.C.B.	1 E.S.D.(RTL)	
22	VYQ3750	MIC DAMPER UNIT	1	
24	L0AA01A00022	SPEAKER	1	
25	VMP8830	LCD HOLDER	1	
26	VMP8761	SP FIX PLATE	1	
32	VYQ3906	LCD UNIT	1	
35	VUK1Z52	REAR CASE UNIT	1 (-S) [PAVC-CSG]	
35	VUK1Z53	REAR CASE UNIT	1 (-K) [PAVC-CSG]	
35-1	VGU0A72	POWER KNOB	1 (-S) [PAVC-CSG]	
35-1	VGU9910-1	POWER KNOB	1 (-K) [PAVC-CSG]	
35-2	VGU0A74	EVF BUTTON	1 (-S) [PAVC-CSG]	
35-2	VGU9915-1	EVF BUTTON	1 (-K) [PAVC-CSG]	
35-3	VMS7523	STRAP HOLDER	1 [PAVC-CSG]	
35-4	VGU0A73	MENU BUTTON	1 (-S) [PAVC-CSG]	
35-4	VGU9913-1	MENU BUTTON	1 (-K) [PAVC-CSG]	
35-5	VGQ8748	POWER LED PIECE	1 [PAVC-CSG]	
37	VGQ8438	SHEET	1	
B2	VHD1680	SCREW	1 (-S)	
B2	VHD1684	SCREW	1 (-K)	
B3	VHD1680	SCREW	1 (-S)	
B3	VHD1684	SCREW	1 (-K)	
B11	VHD1680	SCREW	1	
B13	XQN16+BJ4FN	SCREW	1	
B17	XQN16+BJ4FN	SCREW	1 [PAVC-CSG]	
B18	XQN16+BJ4FN	SCREW	1	
B19	XQN16+BJ4FN	SCREW	1	
B20	XQN16+BJ4FN	SCREW	1	
B22	XQN16+BJ5FN	SCREW	1 (-S)	
B22	VHD1870	SCREW	1 (-K)	
B23	XQN16+BJ5FN	SCREW	1 (-S)	
B23	VHD1870	SCREW	1 (-K)	

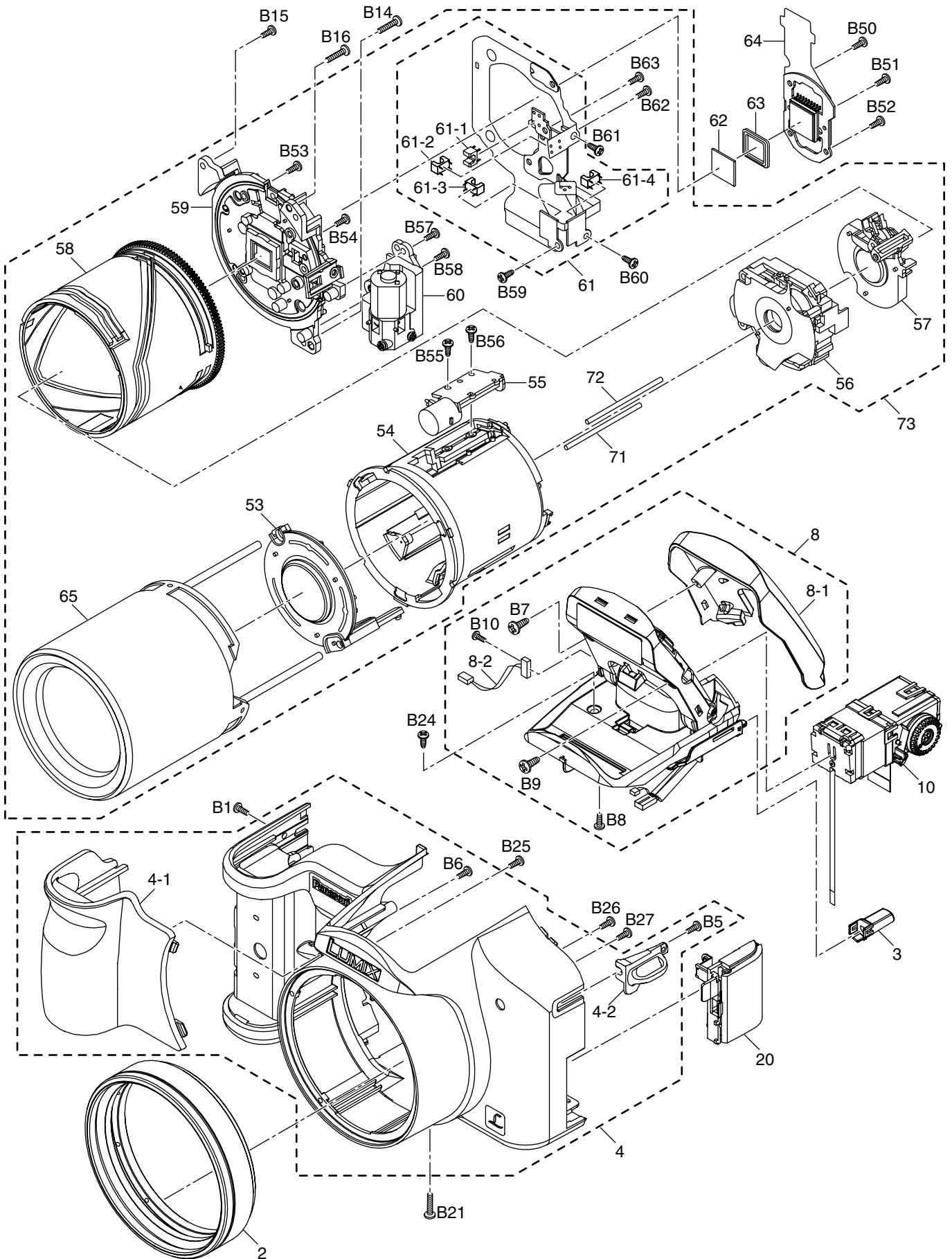
DMC-FZ8EB-S/K,EF-S/K,EGM-S/K,EG-S/K,PL-K,EE-S/K,GC-S/K,GD-K,GN-S/K,GK-S/K,GT-K,SG-S/K,P-S/K,PC-S/K

Ref.No.	Part No.	Part Name & Description	Pcs	Remarks
△ 100	-----	BATTERY	1	
△ 101	DE-A44AA	BATTERY CHARGER	1	EB,EF,EGM,EG,GN
△ 101	DE-A43BA	BATTERY CHARGER	1	PL,P,PC
△ 101	DE-A44CA	BATTERY CHARGER	1	GT
△ 101	DE-A44BA	BATTERY CHARGER	1	EE,GC,GD,GK,SG
102	K1HA08CD0013	USB CABLE	1	[PAVC-CSG]
103	K1HA08CD0014	AV CABLE	1	[PAVC-CSG]
105	VFC4160	STRAP	1	
106	VFF0364-S	CD-ROM	1	(EXCEPT P/PC) See "Notes" [PAVC-CSG]
106	VFF0363-S	CD-ROM	1	P,PC See "Notes" [PAVC-CSG]
108	VPF1100	BAG, POLYETHYLENE	1	EB,EF,EE,GD,GN,GK ,GT,P,PC [PAVC-CSG]
108	VPF1132	BAG, POLYETHYLENE	1	EGM,EG,PL,GC,SG [PAVC-CSG]
△ 110	VQT1B38	OPERATING INSTRUCTIONS	1	EB (ENGLISH) [PAVC-CSG]
△ 110	VQT1B31	OPERATING INSTRUCTIONS	1	EF,EG (FRENCH) [PAVC-CSG]
△ 110	VQT1B34	OPERATING INSTRUCTIONS	1	EGM (SPANISH) [PAVC-CSG]
△ 110	VQT1B35	OPERATING INSTRUCTIONS	1	EGM (PORTUGUESE) [PAVC-CSG]
△ 110	VQT1B36	OPERATING INSTRUCTIONS	1	EGM (SWEDISH) [PAVC-CSG]
△ 110	VQT1B37	OPERATING INSTRUCTIONS	1	EGM (DANISH) [PAVC-CSG]
△ 110	VQT1B30	OPERATING INSTRUCTIONS	1	EG (GERMAN) [PAVC-CSG]
△ 110	VQT1B32	OPERATING INSTRUCTIONS	1	EG (ITALIAN) [PAVC-CSG]
△ 110	VQT1B33	OPERATING INSTRUCTIONS	1	EG (DUTCH) [PAVC-CSG]
△ 110	VQT1B27	OPERATING INSTRUCTIONS	1	PL (ENGLISH) [PAVC-CSG]
△ 110	VQT1B28	OPERATING INSTRUCTIONS	1	PL (SPANISH) [PAVC-CSG]
△ 110	VQT1B29	OPERATING INSTRUCTIONS	1	PL (PORTUGUESE) [PAVC-CSG]
△ 110	VQT1B39	OPERATING INSTRUCTIONS	1	EE (RUSSIAN) [PAVC-CSG]
△ 110	VQT1B40	OPERATING INSTRUCTIONS	1	EE (UKRAINIAN) [PAVC-CSG]
△ 110	VQT1B41	OPERATING INSTRUCTIONS	1	GC,SG (ENGLISH) [PAVC-CSG]
△ 110	VQT1B42	OPERATING INSTRUCTIONS	1	GC,SG (CHINESE (TRADITIONAL)) [PAVC-CSG]
△ 110	VQT1B43	OPERATING INSTRUCTIONS	1	GC,SG (ARABIC) [PAVC-CSG]
△ 110	VQT1B44	OPERATING INSTRUCTIONS	1	GC,SG (PERSIAN) [PAVC-CSG]
△ 110	VQT1B48	OPERATING INSTRUCTIONS	1	GD (KOREAN) [PAVC-CSG]
△ 110	VQT1B47	OPERATING INSTRUCTIONS	1	GN (ENGLISH) [PAVC-CSG]
△ 110	VQT1B46	OPERATING INSTRUCTIONS	1	GK (CHINESE (SIMPLIFIED)) [PAVC-CSG]
△ 110	VQT1B45	OPERATING INSTRUCTIONS	1	GT (CHINESE (TRADITIONAL)) [PAVC-CSG]
△ 110	VQT1B25	OPERATING INSTRUCTIONS	1	P,PC (ENGLISH (SPANISH)) [PAVC-CSG]
△ 110	VQT1E34	OPERATING INSTRUCTIONS	1	P (SPANISH) [PAVC-CSG]
△ 110	VQT1B26	OPERATING INSTRUCTIONS	1	PC (CANADIAN FRENCH) [PAVC-CSG]
111	VQT1D49	O/I PC CONNECTION	1	EB,GN (ENGLISH) [PAVC-CSG]
111	VQT1D48	O/I PC CONNECTION	1	EF (FRENCH) [PAVC-CSG]
111	VQT1D47	O/I PC CONNECTION	1	EGM (SPANISH/PORTUGUESE/ SWEDISH/DANISH) [PAVC-CSG]

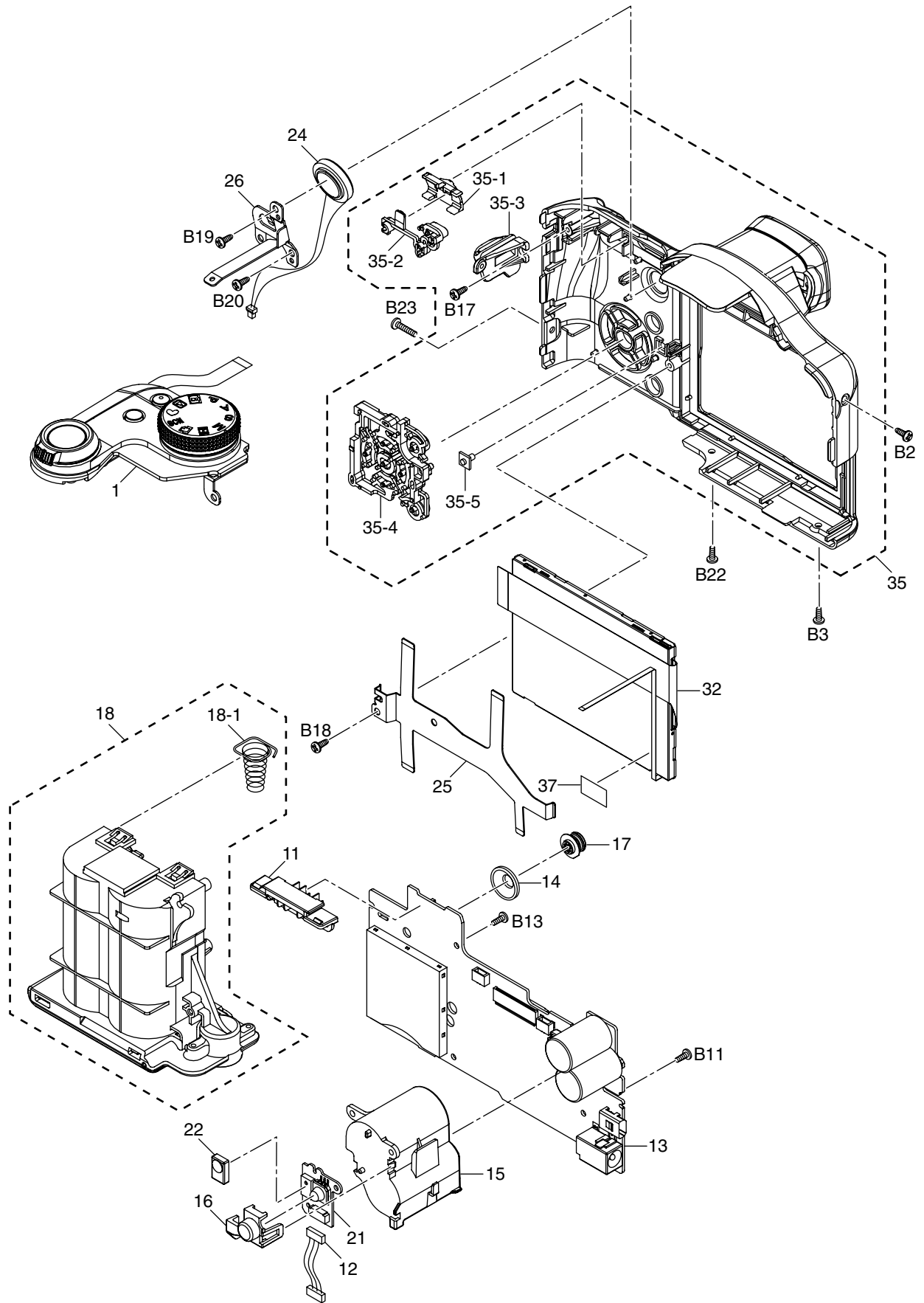
Ref.No.	Part No.	Part Name & Description	Pcs	Remarks
111	VQT1D46	O/I PC CONNECTION	1	EG (GERMAN/FRENCH/ITALIAN/ DUTCH) [PAVC-CSG]
111	VQT1D45	O/I PC CONNECTION	1	PL (ENGLISH/SPANISH/ PORTUGUESE) [PAVC-CSG]
111	VQT1D50	O/I PC CONNECTION	1	EE (RUSSIAN/UKRAINIAN) [PAVC-CSG]
111	VQT1D51	O/I PC CONNECTION	1	GC,SG (ENGLISH/ARABIC/PERSIAN/ CHINESE (TRADITIONAL)) [PAVC-CSG]
111	VQT1D54	O/I PC CONNECTION	1	GD (KOREAN) [PAVC-CSG]
111	VQT1D53	O/I PC CONNECTION	1	GK (CHINESE (SIMPLIFIED)) [PAVC-CSG]
111	VQT1D52	O/I PC CONNECTION	1	GT (CHINESE (TRADITIONAL)) [PAVC-CSG]
111	VQT1D44	O/I PC CONNECTION	1	P,PC (ENGLISH) [PAVC-CSG]
111	VQT1D67	O/I PC CONNECTION	1	GC,SG (ENGLISH/ARABIC/PERSIAN/ CHINESE (TRADITIONAL)) [PAVC-CSG]
111	VQT1D70	O/I PC CONNECTION	1	GD (KOREAN) [PAVC-CSG]
111	VQT1D69	O/I PC CONNECTION	1	GK (CHINESE (SIMPLIFIED)) [PAVC-CSG]
111	VQT1D68	O/I PC CONNECTION	1	GT (CHINESE (TRADITIONAL)) [PAVC-CSG]
112	VQT1D61	O/I SOFTWARE	1	EB,GN (ENGLISH) [PAVC-CSG]
112	VQT1D60	O/I SOFTWARE	1	EF (FRENCH) [PAVC-CSG]
112	VQT1D59	O/I SOFTWARE	1	EGM (SPANISH/PORTUGUESE/ SWEDISH/DANISH) [PAVC-CSG]
112	VQT1D58	O/I SOFTWARE	1	EG (GERMAN/FRENCH/ITALIAN/ DUTCH) [PAVC-CSG]
112	VQT1D57	O/I SOFTWARE	1	PL (ENGLISH/SPANISH/ PORTUGUESE) [PAVC-CSG]
112	VQT1D62	O/I SOFTWARE	1	EE (RUSSIAN/UKRAINIAN) [PAVC-CSG]
112	VQT1D56	O/I SOFTWARE	1	P,PC (ENGLISH/CANADIAN FRENCH) [PAVC-CSG]
113	VYK1T69	LENS CAP UNIT	1	
116	VYQ3997	LENS HOOD UNIT	1	(-S) [PAVC-CSG]
116	VYQ3981	LENS HOOD UNIT	1	(-K) [PAVC-CSG]
117	VYQ3998	LENS ADAPTOR UNIT	1	(-S) [PAVC-CSG]
117	VYQ3797	LENS ADAPTOR UNIT	1	(-K) [PAVC-CSG]
118	VPF1166	CAMERA BAG	1	
120	VPK3231	PACKING CASE	1	(-S) EB,EF,EGM,EG ,EE,GC,GN,SG
120	VPK3235	PACKING CASE	1	(-K) EB,EF,EGM,EG ,PL,EE,GC,GD,GN,GT,SG
120	VPK3232	PACKING CASE	1	GK-S
120	VPK3236	PACKING CASE	1	GK-K
120	VPK3230	PACKING CASE	1	P-S,PC-S
120	VPK3234	PACKING CASE	1	P-K,PC-K
123	VPN6542	CUSHION	1	
△ 124	K2CQ2CA00006	AC CORD W/PLUG	1	EF,EGM,EG,EE,GC,SG
△ 124	K2CR2DA00004	AC CORD W/PLUG	1	EF,EGM,EG,EE,GC
△ 125	K2CT3CA00004	AC CORD W/PLUG	1	EB,GC,SG
△ 126	K2CA2CA00020	AC CORD W/PLUG	1	GK
△ 126	K2CA2CA00027	AC CORD W/PLUG	1	GT
△ 128	K2CJ2DA00008	AC CORD W/PLUG	1	GN
△ 129	RJA0078-1X	AC CORD W/PLUG	1	GD

S6. Exploded View

S6.1. Frame and Casing Section (1)



S6.2. Frame and Casing Section (2)



S6.3. Packing Parts and Accessories Section

