

S6. Replacement Parts List

- Note: 1.* Be sure to make your orders of replacement parts according to this list.
2. IMPORTANT SAFETY NOTICE
Components identified with the mark \triangle have the special characteristics for safety.
When replacing any of these components, use only the same type.
3. Unless otherwise specified,
All resistors are in OHMS, K=1,000 OHMS. All capacitors are in MICRO-FARADS (uf), P=uuF.
4. The marking (RTL) indicates the retention time is limited for this item. After the discontinuation of this assembly in production, it will no longer be available.
5. Supply of CD-ROM, in accordance with license protection, is allowable as replacement parts only for customers who accidentally damaged or lost their own.

E.S.D. standards for Electrostatically Sensitive Devices, refer to PREVENTION OF ELECTROSTATIC DISCHARGE (ESD) TO ELECTROSTATICALLY SENSITIVE (ES) DEVICES section.

<DEFINITION OF PARTS SUPPLIER>

1. Parts marked with [Energy] in the remarks column are supplied from Panasonic Corporation Energy Company.
2. Parts marked with [SPC] in the remarks column are supplied from AVC-CSC-SPC. Others are supplied from "Panasonic Shikoku Electronics Co., Ltd." (PSEC-SAIJO).

Ref.No.	Part No.	Part Name & Description	Pcs	Remarks
##	VEP56091A	MAIN P.C.B.	1	(RTL) E.S.D. EE,SG,P,PC, PU,GC,GT,GK,GN,GD
##	VEP56091B	MAIN P.C.B.	1	(RTL) E.S.D. EG,EP,EF,EB
##	VEP59069A	GYRO P.C.B.	1	(RTL) E.S.D.
##	VEP59070A	AF LED P.C.B.	1	(RTL) E.S.D.
##	VEP54015A	MIC P.C.B.	1	(RTL) E.S.D.
##	VEK0P47	CCD UNIT	1	[SPC]
##	VEP59069A	GYRO P.C.B.		(RTL) E.S.D.
C7201	F1H1A104A028	C.CAPACITOR CH 10V 0.1U	1	
C7202	F1H1A104A028	C.CAPACITOR CH 10V 0.1U	1	
C7205	F1J1A106A043	C.CAPACITOR CH 10V 10U	1	
C7206	F1J1A106A043	C.CAPACITOR CH 10V 10U	1	
IC7201	L2ES00000021	IC	1	
IC7202	L2ES00000022	IC	1	
##	VEP59070A	AF LED P.C.B.		(RTL) E.S.D.
D9301	B3ADB0000135	DIODE	1	
##	VEP54015A	MIC P.C.B.		(RTL) E.S.D.
C5201	F1G1A1040006	C.CAPACITOR CH 10V 0.1U	1	
C5202	F1G1C153A081	C.CAPACITOR CH 16V 0.015U	1	
C5203	F1G1C153A081	C.CAPACITOR CH 16V 0.015U	1	
C5204	F1G1A1040006	C.CAPACITOR CH 10V 0.1U	1	
C5205	F1G1A333A032	C.CAPACITOR CH 10V 0.033U	1	
C5206	F1G1H181A541	C.CAPACITOR CH 50V 180P	1	
C5207	F1G1H181A541	C.CAPACITOR CH 50V 180P	1	
C5208	F1G1A333A032	C.CAPACITOR CH 10V 0.033U	1	
C5209	F1G0J224A004	C.CAPACITOR CH 6.3V 0.22U	1	
C5210	F1G0J224A004	C.CAPACITOR CH 6.3V 0.22U	1	
C5211	F1G1E472A086	C.CAPACITOR CH 25V 4700P	1	
C5212	F1G1E472A086	C.CAPACITOR CH 25V 4700P	1	
C5213	F1H0J475A010	C.CAPACITOR CH 6.3V 4.7U	1	
C5214	F1H0J475A010	C.CAPACITOR CH 6.3V 4.7U	1	
C5215	F1H0J475A010	C.CAPACITOR CH 6.3V 4.7U	1	
C5216	F1G1C1030008	C.CAPACITOR CH 16V 0.01U	1	
FP5201	K1MN04BA0208	CONNECTOR 4P	1	
FP5202	K1MN05BA0055	CONNECTOR 5P	1	
IC5201	C0ABCA000141	IC	1	
LB5203	J0JCC0000415	FILTER	1	
Q5201	2SD2216J08	TRANSISTOR	1	
Q5202	2SD2216J08	TRANSISTOR	1	
Q5203	2SD2216J08	TRANSISTOR	1	
QR5204	XP4314	TRANSISTOR-RESISTOR	1	
R5201	D0GA222JA021	RESISTOR	1	
R5202	D0GA222JA021	RESISTOR	1	
R5203	D0GA223JA021	RESISTOR	1	
R5204	D0GA223JA021	RESISTOR	1	
R5205	D0GA154JA021	RESISTOR	1	
R5206	D0GA154JA021	RESISTOR	1	
R5207	D0GA223JA021	RESISTOR	1	
R5208	D0GA223JA021	RESISTOR	1	
R5209	D0GA273JA021	RESISTOR	1	
R5210	D0GA273JA021	RESISTOR	1	
R5211	D0GA154JA021	RESISTOR	1	
R5212	D0GA154JA021	RESISTOR	1	
R5213	ERJ2GEJ103	M.RESISTOR CH 1/16W 10K	1	
R5214	ERJ2GEJ103	M.RESISTOR CH 1/16W 10K	1	
R5215	ERJ2GEJ103	M.RESISTOR CH 1/16W 10K	1	
R5216	ERJ2GEJ103	M.RESISTOR CH 1/16W 10K	1	

Ref.No.	Part No.	Part Name & Description	Pcs	Remarks
R5217	D0GA104JA021	RESISTOR	1	
R5218	D0GA472JA021	RESISTOR	1	
R5219	D0GA104JA021	RESISTOR	1	
R5220	D0GA472JA021	RESISTOR	1	
R5221	D0GA333JA021	RESISTOR	1	
R5222	D0GA333JA021	RESISTOR	1	
R5223	D0GA472JA021	RESISTOR	1	
##	VEK0P47	CCD UNIT		[SPC]
C3101	F1H1C105A097	C.CAPACITOR CH 16V 1U	1	[SPC]
Q3101	UP05C8B00L	TRANSISTOR	1	[SPC]
R3101	ERJ2GEJ470	M.RESISTOR CH 1/16W 47	1	[SPC]
R3102	ERJ2GEJ182	M.RESISTOR CH 1/16W 1.8K	1	[SPC]
R3107	ERJ2GEJ132	M.RESISTOR CH 1/16W 1.3K	1	[SPC]
R3108	ERJ2GEJ270	M.RESISTOR CH 1/16W 27	1	[SPC]
TH3101	D4CC11030026	NTC THERMISTORS	1	[SPC]

Ref.No.	Part No.	Part Name & Description	Pcs	Remarks
1	L0AA01A00041	SPEAKER	1	
3	VMP9538	SP FIX PLATE	1	
4	VMP9421	LCD HOLDER	1	
5	VYK3P91	REAR CASE (1) U	1	
5-1	VMS7523	STRAP HOLDER	1 [SPC]	
5-2	VXU1691	ANI AF/AE BUTTON U	1 [SPC]	
5-3	VGU0E71	MENU BUTTON	1 [SPC]	
5-4	VGU0F13	SLIDE KNOB	1 [SPC]	
5-5	VGQ0F62	GRIP PIECE REAR	1 [SPC]	
5-6	VMP9422	EARTH PLATE REAR	1	
6	VYQ5034	LCD MODULE U	1	
7	K0RB02100007	TOP OPERATION UNIT	1	
8	L5EDDXE00005	EVF UNIT	1	
9	VDW1845	LENS RING FRONT	1	
10	VGU0E64	FLASH LOCK LEVER KNOB	1	
12	VYK3H10	FRONT CASE (1) U	1 (DMC-FZ38)	
12	VYK3H50	FRONT CASE (1) U	1 (DMC-FZ35)	
12-1	VGQ9469	GRIP PIECE FRONT	1 [SPC]	
12-2	VMS7523	STRAP HOLDER	1 [SPC]	
14	VEP56091A	MAIN P.C.B.	1 (RTL) E.S.D. EE,SG,P,PC,	
			PU,GC,GT,GK,GN,GD	
14	VEP56091B	MAIN P.C.B.	1 (RTL) E.S.D. EG,EP,EF,EB	
15	VEP59069A	GYRO P.C.B.	1 (RTL) E.S.D.	
16	VEP59070A	AF LED P.C.B.	1 (RTL) E.S.D.	
17	VGQ8573	JOY STICK COVER	1	
18	VGQ9541	CONDENSER COVER (A)	1	
19	VGQ9542	CONDENSER COVER (B)	1	
20	VGQ9543	AF LED HOLDER	1	
21	VGU0E65	JOY STICK KNOB	1	
22	VYK3H16	BATTERY FRAME U	1	
22-1	VMB4039	BATTERY SPRING	1 [SPC]	
23	VYK3H51	HD TERMINAL DOOR U	1	
24	VYQ4946	JACK DOOR U	1	
25	VWJ2120	MAIN-MIC-JOINT FPC	1	
26	VEK0P40	FLASH U	1	
27	VEP54015A	MIC P.C.B.	1 (RTL) E.S.D.	
28	VKM8017	FLASH CASE BOTTOM	1	
29	VMB4274	FLASH SPRING	1	
30	VMP9419	FLASH EARTH PLATE	1	
31	VMS7911	FLASH SHAFT	1	
32	VMT1962	MIC DAMPER	1	
33	VYK3H12	FLASH CASE TOP U	1	
34	VYQ3749	FLASH SW UNIT	1	
35	WM-58A602	MIC FPC U	1	
36	VYK3J55	FLASH BASE (U)	1	
37	K1ZZ00001463	BATTERY CATCHER	1 (P9002)	
38	VGQ0J27	DPR SHEET	1	
39	VMT2011	MIC CUSHION	1	
53	VXP2968	2ND. LENS FRAME UNIT	1 [SPC]	
54	VDW1926	MIDDLE FRAME	1 [SPC]	
55	L6HA68ZD0001	FOCUS MOTOR UNIT	1 [SPC]	
56	VXP2944	3RD. LENS FRAME UNIT	1 [SPC]	
57	VXP3057	4TH. LENS FRAME UNIT	1 [SPC]	
58	VDW1927	CAM FRAME	1 [SPC]	
59	VDW1607	MASTER FLANGE	1 [SPC]	
60	L6DA8BGD0001	ZOOM MOTOR UNIT	1 [SPC]	
61	VEK0M96	LENS FLEX. UNIT	1 [SPC]	
61-1	B3NAA0000074	PHOTO SENSOR	1 [SPC]	
61-2	B3NAA0000132	PHOTO SENSOR	1 [SPC]	
61-3	B3NAA0000132	PHOTO SENSOR	1 [SPC]	
61-4	B3NAA0000132	PHOTO SENSOR	1 [SPC]	
62	VDL2318	OPTICAL FILTER	1 [SPC]	
63	VMX3650	CCD CUSHION RUBBER	1 [SPC]	
64	VEK0P47	CCD UNIT	1 [SPC]	
65	VXP3299	1ST. LENS FRAME UNIT	1 [SPC]	
66	VMC2028	WASHER	1 [SPC]	
71	VMS7833	FOCUS GUIDE POLE	1 [SPC]	
72	VXW1087	LENS UNIT (W/O CCD)	1 [SPC]	

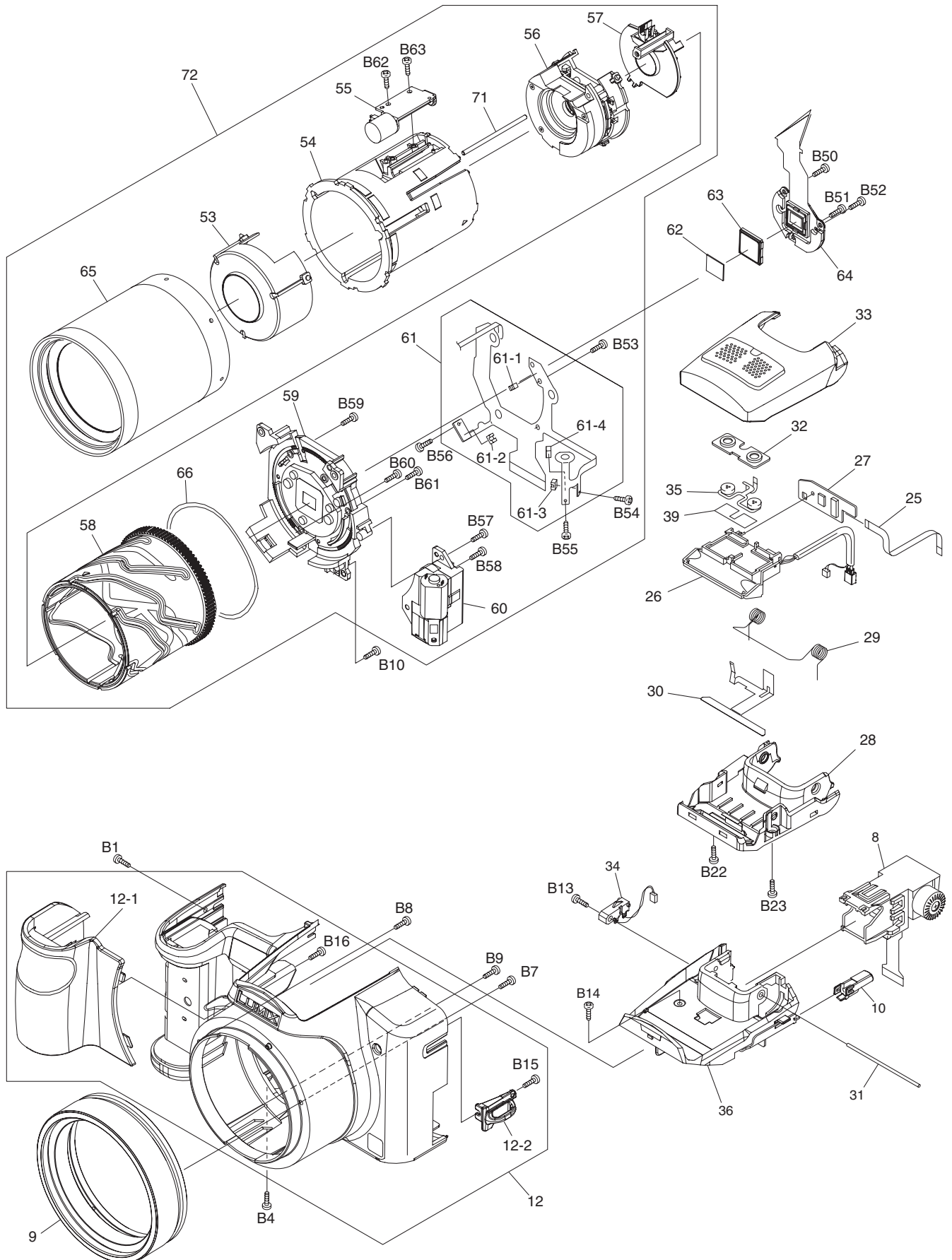
Ref.No.	Part No.	Part Name & Description	Pcs	Remarks
B1	VHD1684	SCREW	1	
B2	VHD1684	SCREW	1	
B3	VHD1684	SCREW	1	
B4	VHD1870	SCREW	1	
B5	VHD1870	SCREW	1	
B6	VHD1870	SCREW	1	
B7	VHD1680	SCREW	1	
B8	VHD1680	SCREW	1	
B9	VHD1680	SCREW	1	
B10	XQN16+BJ8FN	SCREW	1	
B11	XQN16+BJ8FN	SCREW	1	
B12	XQN16+BJ8FN	SCREW	1	
B13	VHD1839	SCREW	1	
B14	VHD1684	SCREW	1	
B15	VHD1870	SCREW	1 [SPC]	
B16	XQN16+BJ4FN	SCREW	1 [SPC]	
B17	VHD1680	SCREW	1	
B19	XQN16+BJ4FN	SCREW	1	
B20	XQN16+BJ4FN	SCREW	1	
B21	XQN16+BJ4FN	SCREW	1	
B22	VHD1870	SCREW	1	
B23	VHD1870	SCREW	1	
B25	VHD1870	SCREW	1 [SPC]	
B27	XQN16+BJ4FN	SCREW	1 [SPC]	
B28	XQN16+BJ4FN	SCREW	1 [SPC]	
B29	XQN16+BJ4FN	SCREW	1 [SPC]	
B50	XQN14+CJ3FN	SCREW	1 [SPC]	
B51	XQN14+CJ3FN	SCREW	1 [SPC]	
B52	XQN14+CJ3FN	SCREW	1 [SPC]	
B53	XQN14+CJ3FN	SCREW	1 [SPC]	
B54	XQN14+CJ3FN	SCREW	1 [SPC]	
B55	XQN14+CJ3FN	SCREW	1 [SPC]	
B56	XQN14+CJ3FN	SCREW	1 [SPC]	
B57	XQN16+CJ5FN	SCREW	1 [SPC]	
B58	XQN16+CJ5FN	SCREW	1 [SPC]	
B59	XQN16+CJ5FN	SCREW	1 [SPC]	
B60	XQN16+CJ5FN	SCREW	1 [SPC]	
B61	XQN16+CJ5FN	SCREW	1 [SPC]	
B62	XQN16+CJ5FN	SCREW	1 [SPC]	
B63	XQN16+CJ5FN	SCREW	1 [SPC]	

Ref.No.	Part No.	Part Name & Description	Pcs	Remarks
△ 100	----	BATTERY PACK	1	EG,EP,EF,EB,EE,SG,PU, GC,GT,GN,GD
△ 100	----	BATTERY PACK	1	P,PC
△ 100	----	BATTERY PACK	1	GK
△ 101	DE-A44AD	BATTERY CHARGER	1	EG,EP,EF,EB,GN
△ 101	DE-A44BF	BATTERY CHARGER	1	EE,SG,GC,GK,GD
△ 101	DE-A43BB	BATTERY CHARGER	1	P,PC,PU
△ 101	DE-A44CC	BATTERY CHARGER	1	GT
102	K1HA14AD0001	USB CABLE	1	[SPC]
103	K1HA14CD0001	AV CABLE	1	[SPC]
104	VPF1166	PROTECTION BAG	1	
105	VFC4453	SHOULDER BELT	1	
106	VFF0499-S	CD-ROM (EXCEPT CHINA)	1	EG,EP,EF,EB,EE,SG,P, PC,PU,GC,GT,GN,GD "See note" [SPC]
106	VFF0500-S	CD-ROM (CHINA)	1	GK "See note" [SPC]
△ 107	VFF0521	CD-ROM(O/I)	1	EG,EP,EF,EB
△ 107	VFF0535	CD-ROM(O/I)	1	EE,SG
△ 107	VFF0520	CD-ROM(O/I)	1	P,PC,PU
△ 107	VFF0522	CD-ROM(O/I)	1	GC,GN
108	VPF1294	POLY BAG	1	[SPC]
113	VYK2U93	LENS CAP U	1	
116	VYQ4122	STAR HOOD U	1	[SPC]
117	VYQ4124	HOOD HOLDER U	1	[SPC]
120	VPK3974	PACKING CASE	1	(DMC-FZ38)
120	VPK3973	PACKING CASE	1	P,PC
120	VPK3975	PACKING CASE	1	PU,GC,GT,GN,GD
120	VPK3976	PACKING CASE	1	GK
123	VPN6927	CUSHION	1	
△ 124	K2CQ29A00002	AC CABLE	1	EG,EP,EF,EE,GC
△ 125	K2CT39A00002	AC CABLE	1	EB,GC
△ 126	K2CA29A00023	AC CABLE	1	SG
△ 127	K2CA29A00021	AC CABLE	1	GT
△ 128	K2CA29Y00070	AC CABLE	1	GK
△ 129	K2CJ29A00002	AC CABLE	1	GN
△ 130	K2CR29A00001	AC CABLE	1	GD
△ 132	VQT2F01	O/I SUPPLIED SOFTWARE (GERMAN/FRENCH/ITALIAN/ DUTCH/SPANISH/ PORTUGUESE)	1	EG [SPC]
△ 132	VQT2F02	O/I SUPPLIED SOFTWARE (FINNISH/SWEDISH/DANISH/ POLISH/CZECH/ HUNGARIAN)	1	EP [SPC]
△ 132	VQT2F03	O/I SUPPLIED SOFTWARE (FRENCH)	1	EF [SPC]
△ 132	VQT2F04	O/I SUPPLIED SOFTWARE (ENGLISH)	1	EB,GN [SPC]
△ 132	VQT2F05	O/I SUPPLIED SOFTWARE (RUSSIAN/UKRAINIAN)	1	EE [SPC]
△ 132	VQT2F06	O/I SUPPLIED SOFTWARE (ENGLISH/ CHINESE(TRADITIONAL)/ ARABIC/PERSIAN)	1	SG,GC [SPC]
△ 132	VQT2E99	O/I SUPPLIED SOFTWARE (ENGLISH/CANADIAN FRENCH)	1	P,PC [SPC]
△ 132	VQT2F00	O/I SUPPLIED SOFTWARE (SPANISH/PORTUGUESE)	1	PU [SPC]
△ 132	VQT2F07	O/I SUPPLIED SOFTWARE (CHINESE(TRADITIONAL))	1	GT [SPC]
△ 132	VQT2F08	O/I SUPPLIED SOFTWARE (CHINESE(SIMPLIFIED))	1	GK [SPC]
△ 132	VQT2F09	O/I SUPPLIED SOFTWARE (KOREAN)	1	GD [SPC]
△ 133	VQT2E81	OPERATING INSTRUCTIONS (GERMAN/FRENCH)	1	EG [SPC]
△ 133	VQT2E82	OPERATING INSTRUCTIONS (ITALIAN/DUTCH)	1	EG [SPC]
△ 133	VQT2E83	OPERATING INSTRUCTIONS (SPANISH/PORTUGUESE)	1	EG [SPC]
△ 133	VQT2E84	OPERATING INSTRUCTIONS (SWEDISH/DANISH)	1	EP [SPC]

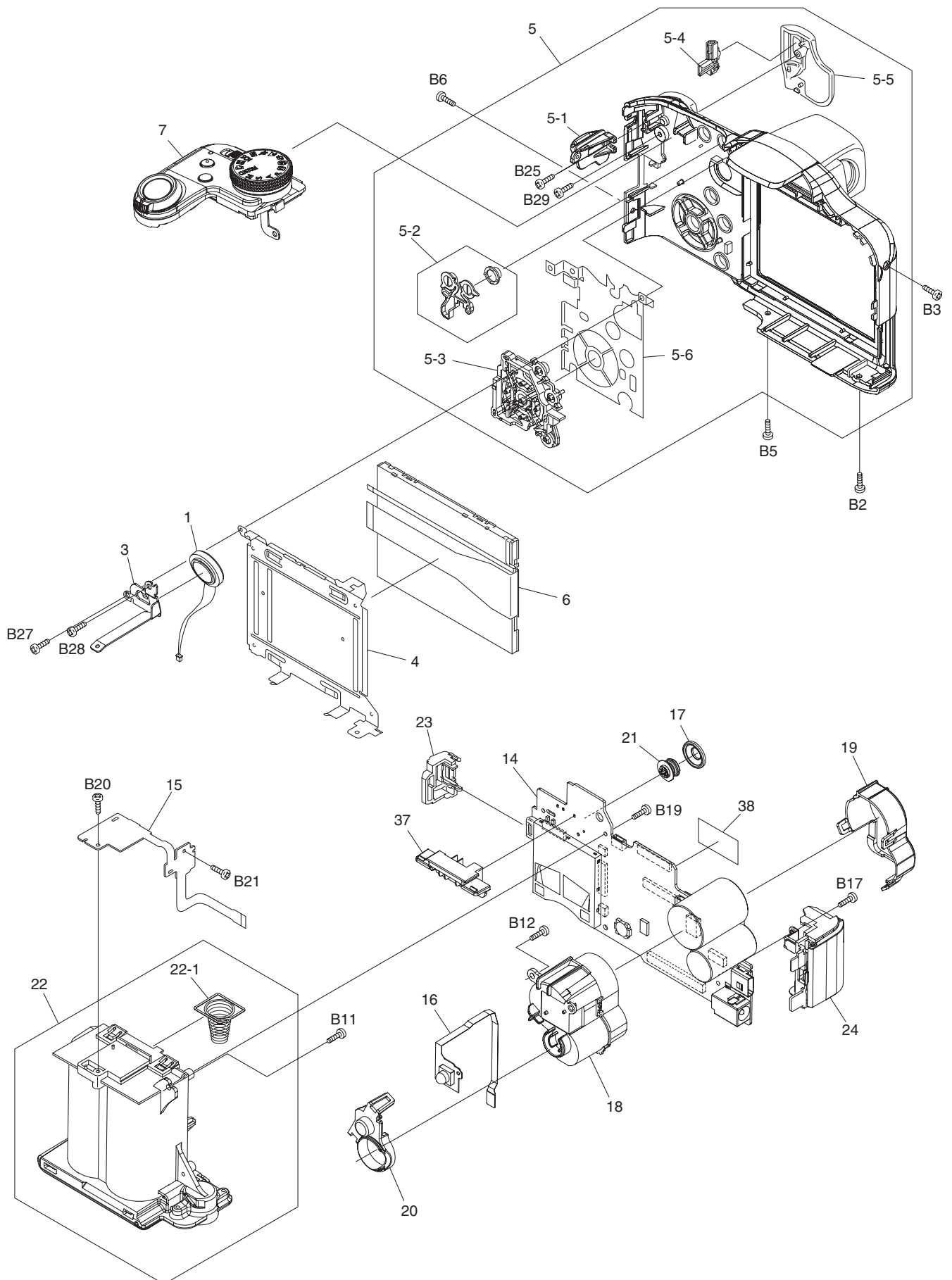
Ref.No.	Part No.	Part Name & Description	Pcs	Remarks
△ 133	VQT2E85	OPERATING INSTRUCTIONS (POLISH/CZECH)	1	EP [SPC]
△ 133	VQT2E86	OPERATING INSTRUCTIONS (HUNGARIAN/FINNISH)	1	EP [SPC]
△ 133	VQT2E87	OPERATING INSTRUCTIONS (FRENCH)	1	EF [SPC]
△ 133	VQT2E88	OPERATING INSTRUCTIONS (ENGLISH)	1	EB [SPC]
△ 133	VQT2G42	OPERATING INSTRUCTIONS (RUSSIAN/UKRAINIAN)	1	EE [SPC]
△ 133	VQT2E91	OPERATING INSTRUCTIONS (ENGLISH/ CHINESE(TRADITIONAL))	1	SG,GC [SPC]
△ 133	VQT2G40	OPERATING INSTRUCTIONS (ENGLISH/SPANISH)	1	P [SPC]
△ 133	VQT2G41	OPERATING INSTRUCTIONS (ENGLISH/CANADIAN FRENCH)	1	PC [SPC]
△ 133	VQT2E80	OPERATING INSTRUCTIONS (SPANISH/PORTUGUESE)	1	PU [SPC]
△ 133	VQT2E92	OPERATING INSTRUCTIONS (ARABIC/PERSIAN)	1	GC [SPC]
△ 133	VQT2E93	OPERATING INSTRUCTIONS (CHINESE(TRADITIONAL))	1	GT [SPC]
△ 133	VQT2E94	OPERATING INSTRUCTIONS (CHINESE(SIMPLIFIED))	1	GK [SPC]
△ 133	VQT2E95	OPERATING INSTRUCTIONS (ENGLISH)	1	GN [SPC]
△ 133	VQT2E96	OPERATING INSTRUCTIONS (KOREAN)	1	GD [SPC]
134	VQL1L48-6	OPERATING LABEL (C.FRENCH)	1	PC [SPC]
134	VQL1G34-6	OPERATING LABEL (CHINESE)	1	GT [SPC]
137	VQL1S66	LABEL	1	GK
138	VQL1T54	GK LABEL	1	GK

S7. Exploded View

S7.1. Frame and Casing Section (1)



S7.2. Frame and Casing Section (2)



S7.3. Packing Parts and Accessories Section

