

S6. Replacement Parts List

- Note:
1. * Be sure to make your orders of replacement parts according to this list.
 2. **IMPORTANT SAFETY NOTICE**
Components identified with the mark \triangle have the special characteristics for safety.
When replacing any of these components, use only the same type.
 3. Unless otherwise specified,
All resistors are in OHMS, K=1,000 OHMS. All capacitors are in MICRO-FARADS (uf), P=uuF.
 4. The marking (RTL) indicates the retention time is limited for this item. After the discontinuation of this assembly in production, it will no longer be available.
 5. Supply of CD-ROM, in accordance with license protection, is allowable as replacement parts only for customers who accidentally damaged or lost their own.

E.S.D. standards for Electrostatically Sensitive Devices, refer to PREVENTION OF ELECTROSTATIC DISCHARGE (ESD) TO ELECTROSTATICALLY SENSITIVE (ES) DEVICES section.

Definition of Parts supplier:

1. Parts marked with [ENERGY] in the remarks column are supplied from Panasonic Corporation Energy Company.
2. Parts marked with [PAVCSG] in the remarks column are supplied from PAVCSG. Others are supplied from AVC-CSC-SPC.

DMC-FZ100EGK

Ref.No.	Part No.	Part Name & Description	Pcs	Remarks
##	VEP56108B	MAIN P.C.B.	1	EG,EP,EF,EB (RTL) E.S.D.
##	VEP56108A	MAIN P.C.B.	1	EE,P,PC,PU,GC,SG,GT,GK, GN,GD (RTL) E.S.D.
##	VEP58119A	FLASH P.C.B.	1	(RTL) E.S.D.
##	VEP59081A	AF LED P.C.B.	1	(RTL) E.S.D.
##	VEP59082A	AF MF FLEX UNIT	1	(RTL)[PAVCSG]
##	VEP58118A	HINGE P.C.B.	1	(RTL)[PAVCSG]
##	VEP58119A	FLASH P.C.B.		(RTL) E.S.D.
C8001	F1K2J223A029	C.CAPACITOR 630V 0.022U	1	
△ C8002	F9Z000000038	E.CAPACITOR	1	
C8003	F1K2J102A028	C.CAPACITOR 630V 1000P	1	
C8006	F1J1A106A043	C.CAPACITOR CH 10V 10U	1	
C8007	F1K2J223A029	C.CAPACITOR 630V 0.022U	1	
C8015	F1H0J1050012	C.CAPACITOR CH 6.3V 1U	1	
D8001	B0ECGP000005	DIODE	1	E.S.D.
D8002	B0HCMP000006	DIODE	1	E.S.D.
D8003	DA2JF8100L	DIODE	1	E.S.D.
△ F8001	ERBSE1R50U	FUSE 32V 1.5A	1	
P8003	K1KA02B00292	CONNECTOR 2P	1	
P8004	K1KA02BA0022	CONNECTOR 2P	1	
PP8001	K1KA20BA0052	CONNECTOR 20P	1	
Q8003	B1JBLP000017	TRANSISTOR	1	E.S.D.
Q8004	B1DFCG000018	TRANSISTOR	1	E.S.D.
QR8001	B1GKCFJN0008	TRANSISTOR-RESISTOR	1	E.S.D.
QR8002	B1GBCFGJ0021	TRANSISTOR-RESISTOR	1	E.S.D.
QR8003	B1GBCFJJ0064	TRANSISTOR-RESISTOR	1	E.S.D.
R8001	ERJ6GEYJ514V	M.RESISTOR CH 1/10W 514K	1	
R8002	ERJ3GEYJ104	M.RESISTOR CH 1/10W 100K	1	
R8003	ERJ3GEYJ220	M.RESISTOR CH 1/10W 22	1	
R8004	ERJ3GEYJ101	M.RESISTOR CH 1/10W 100	1	
R8005	ERJ6RED105	M.RESISTOR CH 1/10W 1M	1	
R8006	ERJ6RED105	M.RESISTOR CH 1/10W 1M	1	
R8007	ERJ2RHD153X	M.RESISTOR CH 1/16W 15K	1	
R8008	ERJ2GEJ102X	M.RESISTOR CH 1/16W 1K	1	
R8009	ERJ2GEJ153	M.RESISTOR CH 1/16W 15K	1	
R8010	ERJ2GEJ680	M.RESISTOR CH 1/10W 68	1	
R8013	ERJ8GEYJ104V	M.RESISTOR CH 1/8W 100K	1	
R8014	ERJ6GEYJ514V	M.RESISTOR CH 1/10W 514K	1	
R8015	ERJ2GEJ152	M.RESISTOR CH 1/16W 1.5K	1	
T8001	G5D1A0000059	SWITCHING TRANSFORMER	1	
##	VEP59081A	AF LED P.C.B.		(RTL) E.S.D.
C9301	F1G1H470A565	C.CAPACITOR CH 50V 47P	1	
D9301	B3ADB0000135	DIODE	1	E.S.D.
FP9301	K1MY06BA0370	CONNECTOR 6P	1	
FP9302	K1MY12BA0370	CONNECTOR 12P	1	
JK9301	K2HD104D0002	JACK	1	
LB9301	J0JCC0000415	FILTER	1	
LB9302	J0JCC0000415	FILTER	1	
LB9303	J0JCC0000415	FILTER	1	
LB9304	J0JCC0000415	FILTER	1	
VA9301	D4ED18R00008	VARISTOR	1	

Ref.No.	Part No.	Part Name & Description	Pcs	Remarks
##	VEP59082A	AF MF FLEX U		(RTL)[PAVCSG]
S9401	K0L1CB000003	SWITCH	1	[PAVCSG]
S9402	K0F111A00591	SWITCH	1	[PAVCSG]
##	VEP58118A	HINGE P.C.B.		(RTL)[PAVCSG]
SW4301	K0L1BA000147	SWITCH	1	[PAVCSG]

DMC-FZ100EGK

Ref.No.	Part No.	Part Name & Description	Pcs	Remarks	Ref.No.	Part No.	Part Name & Description	Pcs	Remarks
1	VDW2044	LENS RING FRONT	1	[PAVCSG]	100	VXW1144	LENS UNIT (W/O MOS)	1	
2	VEP59082A	AF MF FLEX UNIT	1	(RTL)[PAVCSG]	101	VXP3444	1ST LENS FRAME UNIT	1	
3	VGQ0A13	AF LIGHT CASE	1	[PAVCSG]	102	VXP3336	2ND LENS FRAME UNIT	1	
4	VGQ0M33	AF/MF OP SUPPORT	1	[PAVCSG]	103	VXQ1969	MIDDLE FRAME UNIT	1	
5	VXQ1695	AF/MF OP SLIDE KNOB	1	[PAVCSG]	104	L6HA68ND0001	FOCUS MOTOR UNIT	1	
6	VGU0G16	AF/MF OP BUTTON	1	[PAVCSG]	105	VXP3337	3RD LENS FRAME UNIT	1	
7	VYK4B86	FRONT CASE UNIT	1	[PAVCSG]	106	VXP3343	4TH LENS FRAME UNIT	1	
7-1	VGQ0M31	GRIP PIECE FRONT	1	[PAVCSG]	107	VDW1953	CAM FRAME UNIT	1	
8	VYK4H89	AF/MF OP CASE UNIT	1	[PAVCSG]	108	VMC2134	WAVE WASHER	1	
9	VYK4H90	AF/MF OP SPRING UNIT	1	[PAVCSG]	109	VXQ1993	MASTER FLANGE UNIT	1	
10	LOAA01A00053	SPEAKER	1	[PAVCSG]	110	VML4007	CAM STOPPER	1	
11	VGQ0N41	HINGE PLATE SHEET	1	[PAVCSG]	111	VMA0X37	MASTER FLANGE PLATE	1	
12	VGQ0P47	WIRE FIX TAPE	1	[PAVCSG]	112	L6DAADHD0001	ZOOM MOTOR UNIT	1	
13	VGQ0P47	WIRE FIX TAPE	1	[PAVCSG]	113	VEK0Q46	LENS FLEX UNIT	1	
14	VKM8424	HINGE ARM COVER TOP	1	[PAVCSG]	113-1	B3NBA0000015	PHOTO COUPLER	1	
15	VKM8425	HINGE ARM COVER BOTTOM	1	[PAVCSG]	113-2	B3NBA0000011	PHOTO SENSOR	1	
16	VMP9638	HINGE EARTH PLATE	1	[PAVCSG]	113-3	K1MN18BA0209	CONNECTOR 18P	1	
17	VMP9665	SPEAKER FIX PLATE	1	[PAVCSG]	114	VMB4205	FLAP SPRING	1	
18	VMP9668	HINGE PLATE	1	[PAVCSG]	115	VMB4205	FLAP SPRING	1	
19	VYK4D76	LCD HINGE UNIT	1	[PAVCSG]	116	VEK0R01	MOS SENSOR FLEX U	1	
20	VEE1F12	HINGE SW HARNESS	1	[PAVCSG]					
21	VEP58118A	HINGE P.C.B.	1	(RTL)[PAVCSG]	B4	XQN16+BJ4FN	SCREW	1	[PAVCSG]
22	VYK4H88	REAR CASE UNIT	1	[PAVCSG]	B5	VHD1870-A	SCREW	1	[PAVCSG]
22-1	VGQ0M35	LCD LOCK PIECE	1	[PAVCSG]	B6	VHD1870-A	SCREW	1	[PAVCSG]
22-2	VGU0G07	PLAY BUTTON	1	[PAVCSG]	B7	VHD1870-A	SCREW	1	[PAVCSG]
22-3	VGU0G08	CURSOR BUTTON	1	[PAVCSG]	B8	VHD2198	SCREW	1	[PAVCSG]
22-4	VMB4373	LCD LOCK SPRING	1	[PAVCSG]	B9	VHD2247	SCREW	1	[PAVCSG]
22-5	VMS7523	STRAP HOLDER (L)	1	[PAVCSG]	B10	VHD2247	SCREW	1	[PAVCSG]
23	EFN-AMBM7ZD	FLASH	1	[PAVCSG]	B11	VHD1870-A	SCREW	1	[PAVCSG]
24	VEP54016A	ECM FLEX UNIT	1	[PAVCSG]	B12	VHD1870-A	SCREW	1	[PAVCSG]
25	VKM8616	FLASH CASE BOTTOM	1	[PAVCSG]	B13	VHD1870-A	SCREW	1	[PAVCSG]
26	VMB4377	FLASH POP UP SPRING	1	[PAVCSG]	B14	VHD2150-A	SCREW	1	[PAVCSG]
27	VMP9666	FLASH EARTH PLATE	1	[PAVCSG]	B15	VHD2150-A	SCREW	1	[PAVCSG]
28	VMS7911	FLASH SHAFT	1	[PAVCSG]	B16	VHD2150-A	SCREW	1	[PAVCSG]
29	VMT1962	MIC DAMPER	1	[PAVCSG]	B18	VHD2251-A	SCREW	1	[PAVCSG]
30	VMT2011	MIC CUSHION	1	[PAVCSG]	B19	VHD2179	SCREW	1	
31	VYK4B78	FLASH CASE TOP	1	[PAVCSG]	B20	VHD2179	SCREW	1	
32	VYK4B79	FLASH CASE UNIT	1	[PAVCSG]	B21	VHD2179	SCREW	1	
33	VYK4E04	HOT SHOE UNIT	1	[PAVCSG]	B22	VHD2179	SCREW	1	
34	VYQ3749	FLASH SW UNIT	1	[PAVCSG]	B23	VHD2179	SCREW	1	
50	VMC2111	SHOE SPRING	1		B24	VHD1870-A	SCREW	1	[PAVCSG]
51	VSC6223	LENS HEAT SINK	1		B25	VHD1870-A	SCREW	1	[PAVCSG]
52	VMP9671	SIDE FRAME (R)	1		B26	VHD1870-A	SCREW	1	[PAVCSG]
53	VMS7523	STRAP HOLDER (R)	1		B27	VHD2252-A	SCREW	1	[PAVCSG]
54	VGQ0M29	REMOTE HOLDER	1		B28	VHD2252-A	SCREW	1	[PAVCSG]
55	VKF4715	REMOTE COVER	1		B29	VHD2252-A	SCREW	1	[PAVCSG]
56	VKF4714	JACK COVER	1		B50	VHD2179	SCREW	1	
57	VWJ2181	MIC JACK FLEX	1		B51	VHD2179	SCREW	1	
58	VEP59081A	AF LED P.C.B.	1	(RTL) E.S.D.	B52	VHD2179	SCREW	1	
60	VMC2128	BATTERY EARTH PLATE (TOP)	1		B53	VHD2179	SCREW	1	
61	VGQ0M36	CONDENSOR COVER	1		B57	VHD2251	SCREW	1	
62	VYK4B82	BATTERY CASE UNIT	1		B59	XTV2+8JFN	SCREW	1	
62-1	VGQ0M26	COUPLER COVER	1		B60	XTV2+8JFN	SCREW	1	
62-2	VGU0G10	BATTERY DOOR LOCK KNOB	1		B61	XTV2+8JFN	SCREW	1	
62-3	VGU0G12	BATTERY LOCK KNOB	1		B62	XTV2+8JFN	SCREW	1	
62-4	VKF4713	BATTERY DOOR	1		B63	XQN16+BJ5FN	SCREW	1	
62-5	VMB4199	BATTERY LOCK SPRING	1		B64	XQN16+BJ5FN	SCREW	1	
62-6	VMB4385	BATTERY SPRING	1		B65	XQN16+BJ4FN	SCREW	1	
62-7	VMB4406	BATTERY DOOR SPRING	1		B66	VHD2062	SCREW	1	
62-8	VMP9670	BATTERY DOOR PLATE	1		B67	VHD2062	SCREW	1	
62-9	VMS7525	BATTERY DOOR HINGE SHAFT	1		B68	XQN16+BJ4FN	SCREW	1	
62-10	VQL2G54	BATTERY DOOR LABEL	1		B69	XQN16+BJ4FN	SCREW	1	
63	VEP58119A	FLASH P.C.B.	1	(RTL) E.S.D.	B70	XQN16+BJ4FN	SCREW	1	
64	VGQ0M27	JACK HOLDER	1		B101	XQN16+CJ5FN	SCREW	1	
65	L5EDDXE00008	EVF UNIT	1		B102	XQN16+CJ5FN	SCREW	1	
66	VKM8617	LCD CASE TOP	1		B103	XQN14+C3FN	SCREW	1	
67	VKM8618	LCD CASE BOTTOM	1		B104	XQN14+B35FN	SCREW	1	
68	VYK4E07	LCD BACK LIGHT UNIT	1		B105	XQN16+C5FN	SCREW	1	
69	K0RB02500001	TOP OPERATION UNIT	1		B106	XQN16+C5FN	SCREW	1	
70	VEP56108B	MAIN P.C.B.	1	EG,EP,EF,EB (RTL) E.S.D.	B107	XQN16+CJ5FN	SCREW	1	
70	VEP56108A	MAIN P.C.B.	1	EE,P,PC,PU,GC,SG,GT,GK, GN,GD (RTL) E.S.D.	B108	XQN16+CJ5FN	SCREW	1	
70-1	ML-614S/ZTK	BATTERY	1	[ENERGY](B9101)	B109	XQN16+CJ5FN	SCREW	1	
70-2	VGQ0Q80	THERMAL SHEET	1		B110	VHD2258	SCREW	1	
70-3	VGQ0Q81	MAIN COPPER FOIL SHEET	1		B111	VHD2258	SCREW	1	
71	VGQ0P49	INSULATION SHEET	1		B112	VHD2242	SCREW	1	
72	VGQ0P49	INSULATION SHEET	1		B113	VHD2242	SCREW	1	
					B114	VHD2242	SCREW	1	

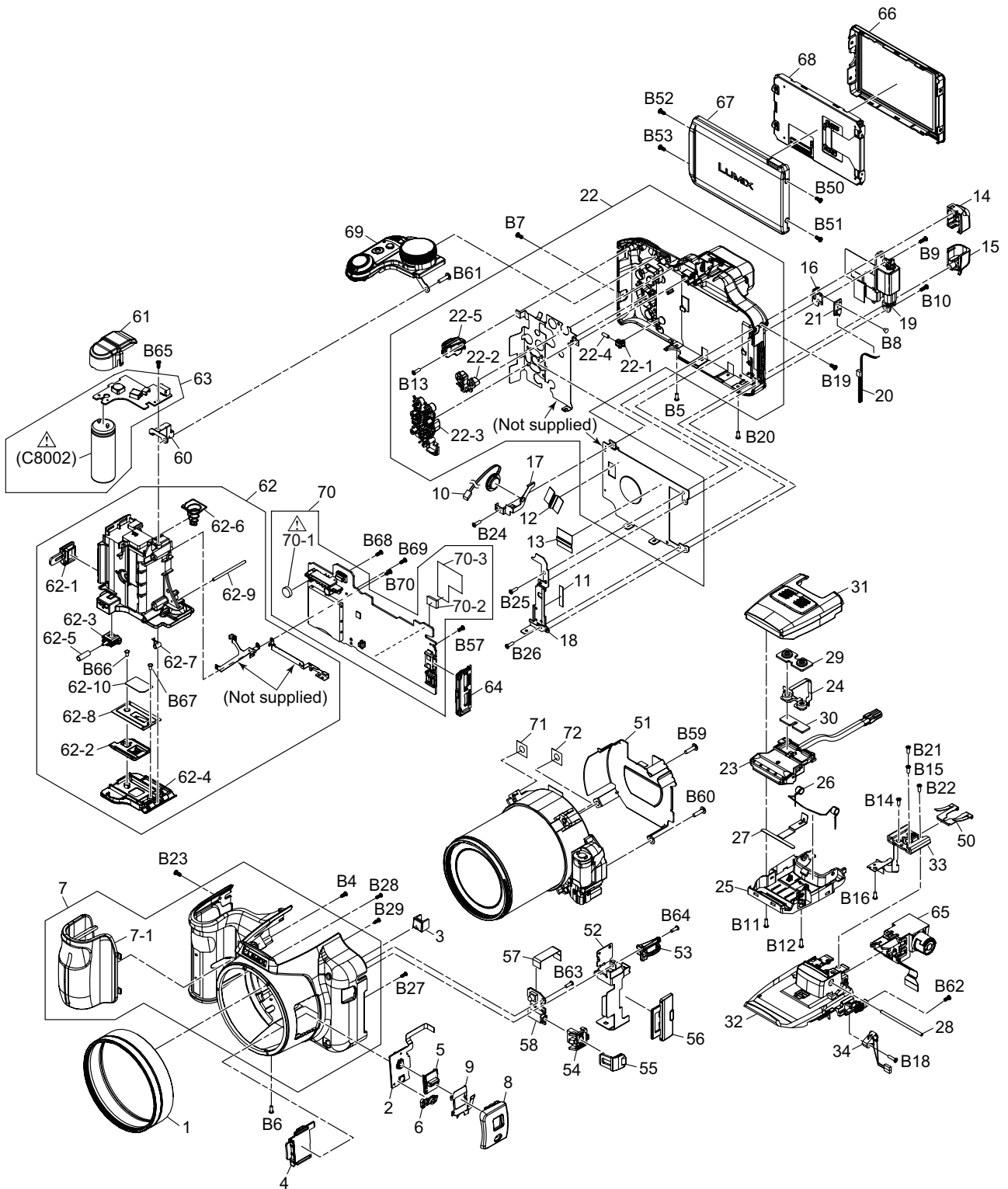
DMC-FZ100EGK

Ref.No.	Part No.	Part Name & Description	Pcs	Remarks
△ 200	----	BATTERY	1	P,PC,PU
△ 201	DE-A83BA	BATTERY CHARGER	1	P,PC,PU
202	K1HA14AD0003	USB CABLE W/PLUG	1	P,PC,PU
203	K1HA14CD0004	AV CABLE W/PLUG	1	P,PC,PU
204	VFF0636-S	CD-ROM	1	P,PC,PU See "Notes"
205	VYQ5607	LENS CAP UNIT	1	P,PC,PU
206	VYQ5606	LENS HOOD UNIT	1	P,PC,PU
207	VPF1166	CAMERA BAG	1	P,PC,PU
208	VPK4504	PACKING CASE	1	P,PC
208	VYQ5874	PACKING CASE	1	PU
209	VPN7068	PAD	1	P,PC,PU
△ 210	VFF0639	CD-ROM (INSTRUCTION BOOK)	1	P,PC,PU
△ 211	VQT2U38	INSTRUCTION BOOK (ENGLISH/SPANISH)	1	P
△ 211	VQT2U39	SIMPLIFIED O/I (ENGLISH/CANADIAN FRENCH)	1	PC
△ 211	VQT2U40	SIMPLIFIED O/I (SPANISH/PORTUGUESE)	1	PU
212	VQC7741	O/I SOFTWARE (ENGLISH/CANADIAN FRENCH)	1	P,PC
212	VQC7742	O/I SOFTWARE (SPANISH/PORTUGUESE)	1	PU
213	VPF1230	BAG, POLYETHYLENE	1	P,PC,PU
214	VFC4453	SHOULDER STRAP	1	P,PC,PU
△ 300	----	BATTERY	1	EG,EP,EF,EB,EE,GC,SG,GT, GN,GD,GK
△ 301	DE-A84AA	BATTERY CHARGER	1	EG,EP,EF,EB,EE,GN
△ 301	DE-A84BA	BATTERY CHARGER	1	GC,GK,GD
△ 301	DE-A84DA	BATTERY CHARGER	1	SG
△ 301	DE-A84CA	BATTERY CHARGER	1	GT
302	K1HA14AD0003	USB CABLE W/PLUG	1	EXCEPT P,PC,PU
303	K1HA14CD0004	AV CABLE W/PLUG	1	EXCEPT P,PC,PU
304	VFF0637-S	CD-ROM	1	GK See "Notes"
304	VFF0636-S	CD-ROM	1	EG,EP,EF,EB,EE,GC,SG,GT, GN,GD See "Notes"
305	VYQ5607	LENS CAP UNIT	1	EXCEPT P,PC,PU
306	VYQ5606	LENS HOOD UNIT	1	EXCEPT P,PC,PU
307	VPF1166	CAMERA BAG	1	EXCEPT P,PC,PU
308	VPK4505	PACKING CASE	1	EG,EP,EF,EB,EE,GC,SG,GN
308	VYQ5875	PACKING CASE	1	GK
308	VYQ5874	PACKING CASE	1	GT,GD
309	VPN7068	PAD	1	EXCEPT P,PC,PU
△ 310	VFF0640	CD-ROM (INSTRUCTION BOOK)	1	EG,EP,EF,EB
△ 310	VFF0641	CD-ROM (INSTRUCTION BOOK)	1	EE,SG
△ 310	VFF0642	CD-ROM (INSTRUCTION BOOK)	1	GC,GN
△ 310	VFF0643	CD-ROM (INSTRUCTION BOOK)	1	GT,GD
△ 310	VFF0644	CD-ROM (INSTRUCTION BOOK)	1	GK
△ 311	VQT2U41	SIMPLIFIED O/I (GERMAN/FRENCH)	1	EG
△ 311	VQT2U42	SIMPLIFIED O/I (ITALIAN/DUTCH)	1	EG
△ 311	VQT2U43	SIMPLIFIED O/I (SPANISH/PORTUGUESE)	1	EG
△ 311	VQT2U44	SIMPLIFIED O/I (TURKISH)	1	EG
△ 311	VQT2U45	SIMPLIFIED O/I (SWEDISH/DANISH)	1	EP
△ 311	VQT2U46	SIMPLIFIED O/I (POLISH/CZECH)	1	EP
△ 311	VQT2U47	SIMPLIFIED O/I (HUNGARIAN/FINNISH)	1	EP
△ 311	VQT2U48	SIMPLIFIED O/I (FRENCH)	1	EF
△ 311	VQT2U49	INSTRUCTION BOOK (ENGLISH)	1	EB

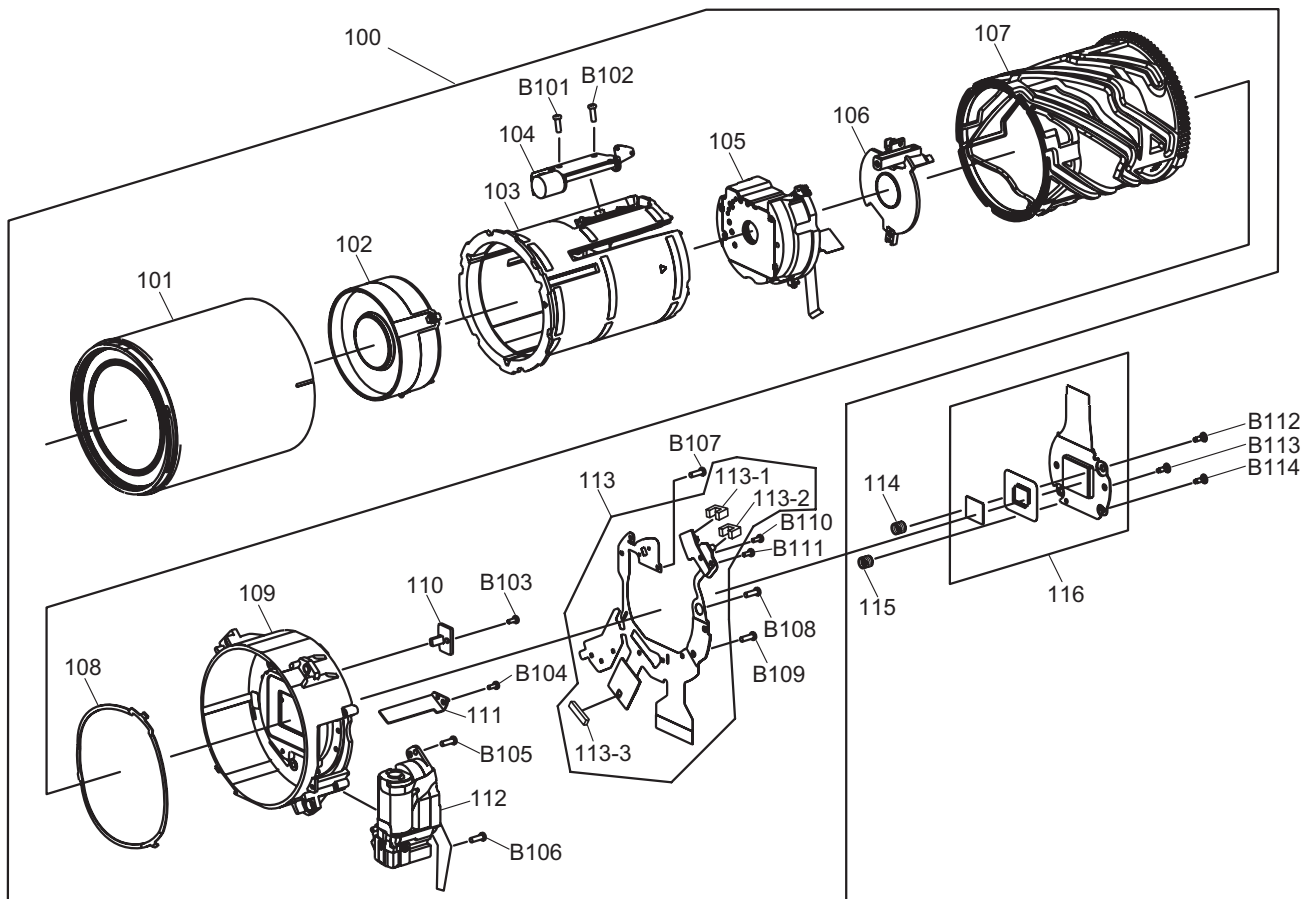
Ref.No.	Part No.	Part Name & Description	Pcs	Remarks
△ 311	VQT2U50	SIMPLIFIED O/I (RUSSIAN/UKRAINIAN)	1	EE
△ 311	VQT2U51	SIMPLIFIED O/I (ENGLISH/ CHINESE(TRADITIONAL))	1	GC,SG
△ 311	VQT2U52	SIMPLIFIED O/I (ARABIC/PERSIAN)	1	GC
△ 311	VQT2U53	SIMPLIFIED O/I (CHINESE(TRADITIONAL))	1	GT
△ 311	VQT2U54	SIMPLIFIED O/I (CHINESE(SIMPLIFIED))	1	GK
△ 311	VQT2U55	SIMPLIFIED O/I (ENGLISH)	1	GN
△ 311	VQT2U56	INSTRUCTION BOOK (KOREAN)	1	GD
312	VQC7743	O/I SOFTWARE (GERMAN/FRENCH/ITALIAN/ DUTCH/SPANISH/PORTUGUESE/ TURKISH)	1	EG
312	VQC7744	O/I SOFTWARE (FINNISH/SWEDISH/DANISH/ POLISH/CZECH/HUNGARIAN)	1	EP
312	VQC7745	O/I SOFTWARE (FRENCH)	1	EF
312	VQC7746	O/I SOFTWARE (ENGLISH)	1	EB,GN
312	VQC7747	O/I SOFTWARE (RUSSIAN/UKRAINIAN)	1	EE
312	VQC7748	O/I SOFTWARE (ENGLISH/ CHINESE(TRADITIONAL)/ ARABIC/PERSIAN)	1	GC,SG
312	VQC7749	O/I SOFTWARE (CHINESE(TRADITIONAL))	1	GT
312	VQC7750	O/I SOFTWARE (CHINESE(SIMPLIFIED))	1	GK
312	VQC7751	O/I SOFTWARE (KOREAN)	1	GD
313	VPF1230	BAG, POLYETHYLENE	1	EXCEPT P,PC,PU
314	VFC4453	SHOULDER STRAP	1	EXCEPT P,PC,PU
316	VQL1S66	LABEL	1	EB,GK
317	VQL2C68-1	TAI WAN OPERATING LABEL	1	GT
△ 339	K2CT39A00002	AC CORD W/PLUG	1	EB,GC
△ 340	K2CQ29A00002	AC CORD W/PLUG	1	EG,EP,EF,EE,GC
△ 340	K2CR29A00001	AC CORD W/PLUG	1	GD
△ 341	K2CJ29A00002	AC CORD W/PLUG	1	GN
△ 342	K2CA29A00023	AC CORD W/PLUG	1	SG
△ 342	K2CA29A00021	AC CORD W/PLUG	1	GT
△ 342	K2CA2YY00070	AC CORD W/PLUG	1	GK

S7. Exploded View

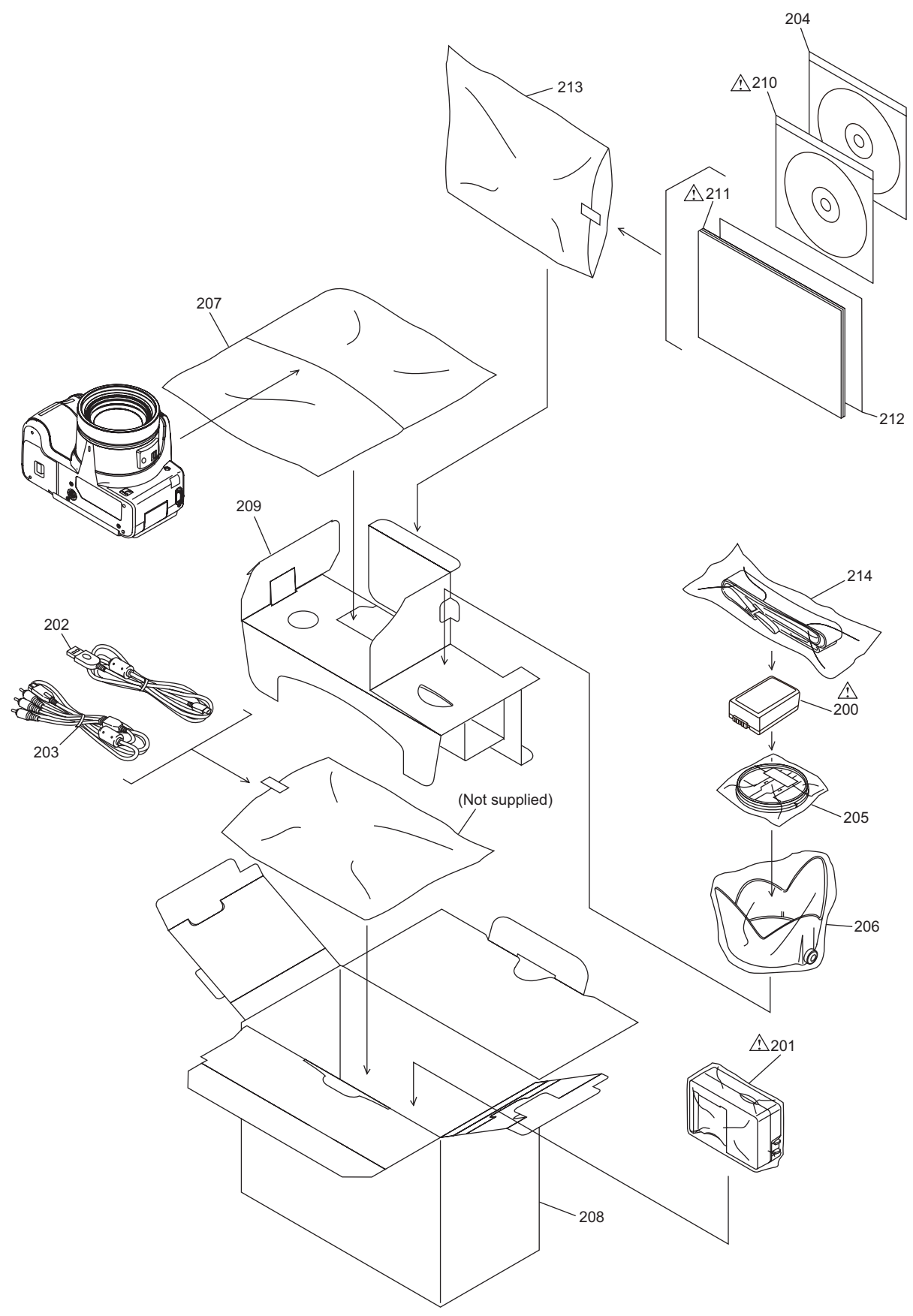
S7.1. Frame and Casing Section



S7.2. Camera Lens Section



S7.3. Packing Parts and Accessories Section (1)



S7.4. Packing Parts and Accessories Section (2)

