

## S6. Replacement Parts List

- Note: 1.\* Be sure to make your orders of replacement parts according to this list.
2. IMPORTANT SAFETY NOTICE  
Components identified with the mark  $\triangle$  have the special characteristics for safety.  
When replacing any of these components, use only the same type.
3. Unless otherwise specified,  
All resistors are in OHMS, K=1,000 OHMS. All capacitors are in MICRO-FARADS (uf), P=uuF.
4. The marking (RTL) indicates the retention time is limited for this item. After the discontinuation of this assembly in production, it will no longer be available.
5. Supply of CD-ROM, in accordance with license protection, is allowable as replacement parts only for customers who accidentally damaged or lost their own.

**E.S.D. standards for Electrostatically Sensitive Devices, refer to PREVENTION OF ELECTROSTATIC DISCHARGE (ESD) TO ELECTROSTATICALLY SENSITIVE (ES) DEVICES section.**

**Definition of Parts supplier:**

1. Parts marked with [MBI] in the remarks column are supplied from **Matsushita Battery Industrial Co., Ltd.**



DMC-FX37P/PC/PL/E/EB/EE/EF/EG/SG,FX38GC/GD/GK/GN/GT/GJ

| Ref.No. | Part No.     | Part Name & Description | Pcs | Remarks                |
|---------|--------------|-------------------------|-----|------------------------|
| 1       | VEP56065A    | MAIN P.C.B.             | 1   | (RTL) E.S.D.           |
| △ 2     | ML421S/ZT    | BUTTON BATTERY          | 1   | (B9101) [MBI]          |
| 3       | VEP51022A    | SUB P.C.B.              | 1   | (RTL) E.S.D.           |
| 4       | VGQ9934      | PCB SPACER              | 1   |                        |
| 5       | VGU0C80      | SLIDE KNOB              | 1   |                        |
| 6       | VGQ0B41      | BATTERY CASE SHEET      | 1   | (-K,-A,-T)             |
| 7       | VGQ9720      | BATTERY LOCK KNOB       | 1   |                        |
| 8       | VKF4333      | JACK DOOR               | 1   | (-S,-P,-W)             |
| 8       | VKF4350      | JACK DOOR               | 1   | (-K,-A,-T)             |
| 9       | VMB3962      | BATTERY LOCK SPRING     | 1   |                        |
| 10      | VMB4094      | BATTERY OUT SPRING      | 1   |                        |
| 11      | VMB4150      | BATTERY DOOR SPRING     | 1   |                        |
| 12      | VMP8990      | FRAME                   | 1   |                        |
| 13      | VMS7867      | BATTERY DOOR SHAFT      | 1   |                        |
| 14      | VMS7892      | JACK DOOR SHAFT         | 1   |                        |
| 15      | VYF3177      | BATTERY DOOR UNIT       | 1   | (-S,-P,-W)             |
| 15      | VYF3206      | BATTERY DOOR UNIT       | 1   | (-K,-A,-T)             |
| 16      | VYK2K26      | BATTERY CASE UNIT       | 1   |                        |
| 17      | VGL1268      | AF PANEL LIGHT          | 1   |                        |
| 18      | VYK2S20      | TOP ORNAMENT UNIT       | 1   | FX37 SERIES (-S,-P,-W) |
| 18      | VYK2S21      | TOP ORNAMENT UNIT       | 1   | FX37 SERIES (-K,-A,-T) |
| 18      | VYK2S22      | TOP ORNAMENT UNIT       | 1   | FX38 SERIES (-S,-P,-W) |
| 18      | VYK2S23      | TOP ORNAMENT UNIT       | 1   | FX38 SERIES (-K,-T)    |
| 19      | EFN-FSY56ZC  | FLASH UNIT              | 1   |                        |
| △ 20    | F2A2F9500002 | E.CAPACITOR             | 1   | (C8003)                |
| 21      | VEP58059A    | FLASH TOP P.C.B.        | 1   | (RTL) E.S.D.           |
| 22      | VMB4182      | EARTH SPRING            | 1   | (ET8003)               |
| 23      | VYQ4113      | MIC DAMPER              | 1   |                        |
| 24      | VYQ4268      | MODE DIAL UNIT          | 1   | (-S,-P,-W)             |
| 24      | VYQ4410      | MODE DIAL UNIT          | 1   | (-K,-A,-T)             |
| 25      | VMP8995      | SIDE ORNAMENT R         | 1   | (-S,-P,-W)             |
| 25      | VMP9113      | SIDE ORNAMENT R         | 1   | (-K,-A,-T)             |
| 26      | VMP8996      | SIDE ORNAMENT LD        | 1   | (-S,-P,-W)             |
| 26      | VMP9112      | SIDE ORNAMENT LD        | 1   | (-K,-A,-T)             |
| 27      | VMP8997      | TRIPOD                  | 1   |                        |
| 28      | VMP9124      | FRAME PLATE             | 1   |                        |
| 29      | VYK2S05      | REAR CASE UNIT          | 1   | (-S)                   |
| 29      | VYK2S08      | REAR CASE UNIT          | 1   | (-K)                   |
| 29      | VYK2S06      | REAR CASE UNIT          | 1   | (-P)                   |
| 29      | VYK2S09      | REAR CASE UNIT          | 1   | (-A)                   |
| 29      | VYK2S07      | REAR CASE UNIT          | 1   | (-W)                   |
| 29      | VYK2S10      | REAR CASE UNIT          | 1   | (-T)                   |
| 29-1    | VGL1230      | REAR PANEL LIGHT        | 1   |                        |
| 29-2    | VGU0C11      | CURSOR BUTTON           | 1   |                        |
| 30      | VYK2S11      | LCD UNIT                | 1   |                        |
| 31      | VYK2W53      | FRONT CASE UNIT         | 1   | (-S)                   |
| 31      | VYK2R96      | FRONT CASE UNIT         | 1   | (-K)                   |
| 31      | VYK2L15      | FRONT CASE UNIT         | 1   | (-P)                   |
| 31      | VYK2R97      | FRONT CASE UNIT         | 1   | (-A)                   |
| 31      | VYK2L16      | FRONT CASE UNIT         | 1   | (-W)                   |
| 31      | VYK2R98      | FRONT CASE UNIT         | 1   | (-T)                   |
| 32      | VMX3687      | CONDENSER CUSHION       | 1   |                        |
| B1      | VHD1694      | SCREW                   | 1   |                        |
| B2      | VHD1876      | SCREW                   | 1   |                        |
| B3      | VHD1876      | SCREW                   | 1   |                        |
| B4      | VHD2018      | SCREW                   | 1   | (-S,-P,-W)             |
| B4      | VHD2041      | SCREW                   | 1   | (-K,-A,-T)             |
| B5      | VHD2036      | SCREW                   | 1   | (-S,-P,-W)             |
| B5      | VHD2022      | SCREW                   | 1   | (-K,-A,-T)             |
| B6      | VHD2036      | SCREW                   | 1   | (-S,-P,-W)             |
| B6      | VHD2022      | SCREW                   | 1   | (-K,-A,-T)             |
| B7      | VHD2036      | SCREW                   | 1   | (-S,-P,-W)             |
| B7      | VHD2022      | SCREW                   | 1   | (-K,-A,-T)             |
| B8      | VHD2036      | SCREW                   | 1   | (-S,-P,-W)             |
| B8      | VHD2022      | SCREW                   | 1   | (-K,-A,-T)             |
| B9      | XQN16+BJ7FJK | SCREW                   | 1   |                        |
| B10     | XQN16+BJ7FJK | SCREW                   | 1   |                        |
| B11     | XQN16+BJ7FJK | SCREW                   | 1   |                        |
| B12     | VHD1876      | SCREW                   | 1   |                        |
| B13     | VHD1876      | SCREW                   | 1   |                        |

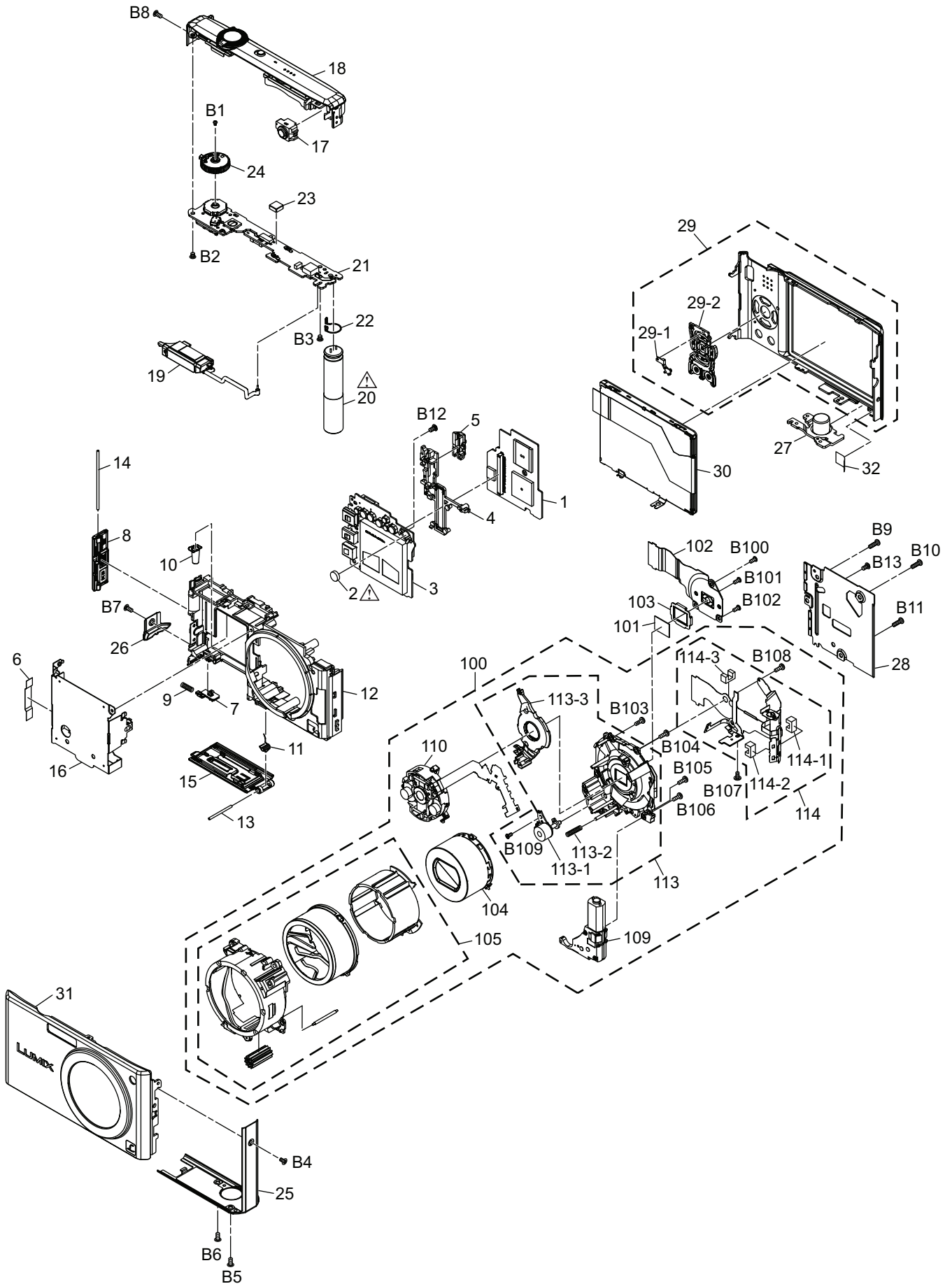
| Ref.No. | Part No.     | Part Name & Description     | Pcs | Remarks          |
|---------|--------------|-----------------------------|-----|------------------|
| 100     | VXW0982      | LENS UNIT(W/O CCD)          | 1   |                  |
| 101     | VDL2046      | OPTICAL FILTER              | 1   |                  |
| 102     | VEK0L79      | CCD UNIT                    | 1   | E.S.D.           |
| 103     | VMX3650      | CCD CUSHION                 | 1   |                  |
| 104     | VXP3021      | 1ST LENS FRAME UNIT         | 1   |                  |
| 105     | VXP3088      | FIX/DRIVE/DIRECT FRAME UNIT | 1   |                  |
| 109     | L6DA8BEC0003 | ZOOM MOTOR                  | 1   |                  |
| 110     | VXP2970      | 2ND LENS FRAME UNIT         | 1   |                  |
| 113     | VXQ1599      | MASTER FLANGE UNIT          | 1   |                  |
| 113-1   | L6HA64NC0014 | FOCUS MOTOR UNIT            | 1   |                  |
| 113-2   | VMB4158      | FOCUS SPRING                | 1   |                  |
| 113-3   | VXP2969      | 3RD LENS FRAME UNIT         | 1   |                  |
| 114     | VEK0L76      | LENS FPC UNIT               | 1   |                  |
| 114-1   | B3NBA0000011 | PHOTO SENSOR                | 1   |                  |
| 114-2   | B3NBA0000011 | PHOTO SENSOR                | 1   |                  |
| 114-3   | B3NBA0000011 | PHOTO SENSOR                | 1   |                  |
| B100    | VHD1871      | SCREW                       | 1   |                  |
| B101    | VHD1871      | SCREW                       | 1   |                  |
| B102    | VHD1871      | SCREW                       | 1   |                  |
| B103    | XQN14+CJ4FN  | SCREW                       | 1   |                  |
| B104    | XQN14+CJ4FN  | SCREW                       | 1   |                  |
| B105    | XQN14+CJ4FN  | SCREW                       | 1   |                  |
| B106    | XQN14+CJ4FN  | SCREW                       | 1   |                  |
| B107    | VHD2011      | SCREW                       | 1   |                  |
| B108    | XQN14+CJ4FN  | SCREW                       | 1   |                  |
| B109    | XQN14+CJ4FN  | SCREW                       | 1   |                  |
| 200     | VPF1317      | CAMERA BAG                  | 1   | P,PC             |
| △ 202   | DE-A39BA     | BATTERY CHARGER             | 1   | P,PC             |
| △ 203   | -----        | BATTERY                     | 1   | P,PC             |
| 204     | K1HA08CD0019 | USB CABLE W/PLUG            | 1   | P,PC             |
| 205     | K1HA08CD0020 | AV CABLE W/PLUG             | 1   | P,PC             |
| 206     | VFC4297      | HAND STRAP                  | 1   | P,PC             |
| 207     | VFF0428-S    | CD-ROM(OVERSEAS)            | 1   | P,PC See "Notes" |
| 208     | VPK3575      | PACKING CASE                | 1   | PS               |
| 208     | VPK3580      | PACKING CASE                | 1   | PK,PCK           |
| 208     | VPK3584      | PACKING CASE                | 1   | PA,PCA           |
| 208     | VPK3615      | PACKING CASE                | 1   | PW               |
| 209     | VPN6657      | CUSHION                     | 1   | P,PC             |
| 211     | VPF1294      | BAG, POLYETHYLENE           | 1   | P,PC             |
| △ 213   | VQT1R88      | INSTRUCTION BOOK            | 1   | P                |
|         |              | (SPANISH)                   |     |                  |
| △ 213   | VQT1R87      | INSTRUCTION BOOK            | 1   | P,PC             |
|         |              | (ENGLISH)                   |     |                  |
| △ 213   | VQT1R89      | INSTRUCTION BOOK            | 1   | PC               |
|         |              | (CANADIAN FRENCH)           |     |                  |
| 214     | VQT1U68      | O/I SOFTWARE                | 1   | P,PC             |
|         |              | (ENGLISH/CANADIAN FRENCH)   |     |                  |
| 215     | VYQ3914      | BATTERY CARRYING CASE U     | 1   | P,PC             |

| Ref.No. | Part No.     | Part Name & Description                          | Pcs | Remarks                                |
|---------|--------------|--|-----|--|
| 300     | VPF1317      | CAMERA BAG                                       | 1   | (EXCEPT P,PC)                          |
| △ 302   | DE-A40AA     | BATTERY CHARGER                                  | 1   | E,EB,EF,EG,GN                          |
| △ 302   | DE-A40BA     | BATTERY CHARGER                                  | 1   | EE,GC,GD,GK,GJ                         |
| △ 302   | DE-A39BA     | BATTERY CHARGER                                  | 1   | PL                                     |
| △ 302   | DE-A40AB     | BATTERY CHARGER                                  | 1   | SG                                     |
| △ 302   | DE-A40CA     | BATTERY CHARGER                                  | 1   | GT                                     |
| △ 303   | -----        | BATTERY  | 1   | (EXCEPT P,PC)                          |
| 304     | K1HA08CD0019 | USB CABLE W/PLUG                                 | 1   | (EXCEPT P,PC)                          |
| 305     | K1HA08CD0020 | AV CABLE W/PLUG                                  | 1   | (EXCEPT P,PC)                          |
| 306     | VFC4297      | HAND STRAP                                       | 1   | (EXCEPT P,PC)                          |
| 307     | VFF0428-S    | CD-ROM (OVERSEAS)                                | 1   | PL,E,EB,EE,EF,EG,SG,GC,GD,<br>GN,GT,GJ |
|         |              |  |     | See "Notes"                            |
| 307     | VFF0429-S    | CD-ROM (OVERSEAS)                                | 1   | GK See "Notes"                         |
| 308     | VPK3576      | PACKING CASE                                     | 1   | PLS,ES,EBS,EES,<br>EGS,SGS             |
| 308     | VPK3581      | PACKING CASE                                     | 1   | PLK,EK,EBK,EEK,<br>EFK,EGK,SGK         |
| 308     | VPK3591      | PACKING CASE                                     | 1   | PLP,EEP,SGP                            |
| 308     | VPK3587      | PACKING CASE                                     | 1   | EW,EEW,EFW,EGW,SGW                     |
| 308     | VPK3595      | PACKING CASE                                     | 1   | EBT,EFT,EGT,SGT                        |
| 308     | VPK3585      | PACKING CASE                                     | 1   | EEA,EGA                                |
| 308     | VPK3577      | PACKING CASE                                     | 1   | GCS,GNS,GTS,GJS                        |
| 308     | VPK3582      | PACKING CASE                                     | 1   | GCK,GDK,GNK,GTK,GJK                    |
| 308     | VPK3592      | PACKING CASE                                     | 1   | GCP,GDP,GNP,GTP,GJP                    |
| 308     | VPK3616      | PACKING CASE                                     | 1   | GCT,GTT,GJT                            |
| 308     | VPK3578      | PACKING CASE                                     | 1   | GKS                                    |
| 308     | VPK3583      | PACKING CASE                                     | 1   | GKK                                    |
| 308     | VPK3589      | PACKING CASE                                     | 1   | GKW                                    |
| 308     | VPK3593      | PACKING CASE                                     | 1   | GKT                                    |
| 309     | VPN6657      | CUSHION  | 1   | (EXCEPT P,PC)                          |
| 310     | VPN6666      | PAD  | 1   | EB,GC                                  |
| 310     | VPN6664      | PAD  | 1   | PL,E,EE,EF,EG,SG,GD,GK,GN,<br>GT,GJ    |
| 311     | VPF1294      | BAG, POLYETHYLENE                                | 1   | (EXCEPT P,PC)                          |
| △ 312   | VFF0430      | CD-ROM (INSTRUCTION BOOK)                        | 1   | PL,E,EG,SG,GC                          |
| △ 313   | VQT1R90      | SIMPLIFIED O/I<br>(ENGLISH/SPANISH)              | 1   | PL                                     |
| △ 313   | VQT1R91      | SIMPLIFIED O/I<br>(PORTUGUESE)                   | 1   | PL                                     |
| △ 313   | VQT1R95      | SIMPLIFIED O/I<br>(SWEDISH/DANISH)               | 1   | E                                      |
| △ 313   | VQT1R96      | SIMPLIFIED O/I<br>(POLISH/CZECH)                 | 1   | E                                      |
| △ 313   | VQT1R97      | SIMPLIFIED O/I<br>(HUNGARIAN/FI)                 | 1   | E                                      |
| △ 313   | VQT1R99      | INSTRUCTION BOOK<br>(ENGLISH)                    | 1   | EB                                     |
| △ 313   | VQT1S00      | INSTRUCTION BOOK<br>(RUSSIAN)                    | 1   | EE                                     |
| △ 313   | VQT1S01      | INSTRUCTION BOOK<br>(UKRAINIAN)                  | 1   | EE                                     |
| △ 313   | VQT1R98      | INSTRUCTION BOOK<br>(FRENCH)                     | 1   | EF                                     |
| △ 313   | VQT1R92      | SIMPLIFIED O/I<br>(GERMAN/FRENCH)                | 1   | EG                                     |
| △ 313   | VQT1R93      | SIMPLIFIED O/I<br>(ITALIAN/DUTCH)                | 1   | EG                                     |
| △ 313   | VQT1R94      | SIMPLIFIED O/I<br>(SPANISH/PORTUGUESE)           | 1   | EG                                     |
| △ 313   | VQT1S02      | SIMPLIFIED O/I<br>(ENGLISH/CHINESE(TRADITIONAL)) | 1   | SG,GC                                  |
| △ 313   | VQT1S03      | SIMPLIFIED O/I<br>(ARABIC/PERSIAN)               | 1   | GC                                     |
| △ 313   | VQT1S08      | INSTRUCTION BOOK<br>(KOREAN)                     | 1   | GD                                     |
| △ 313   | VQT1S06      | INSTRUCTION BOOK<br>(CHINESE(SIMPLIFIED))        | 1   | GK                                     |
| △ 313   | VQT1S07      | INSTRUCTION BOOK<br>(ENGLISH)                    | 1   | GN                                     |
| △ 313   | VQT1S05      | INSTRUCTION BOOK<br>(CHINESE(TRADITIONAL))       | 1   | GT                                     |
| △ 313   | VQT1S04      | INSTRUCTION BOOK<br>(THAI)                       | 1   | GJ                                     |
| 314     | VQT1U69      | O/I SOFTWARE<br>(ENGLISH/SPANISH/PORTUGUESE)     | 1   | PL                                     |

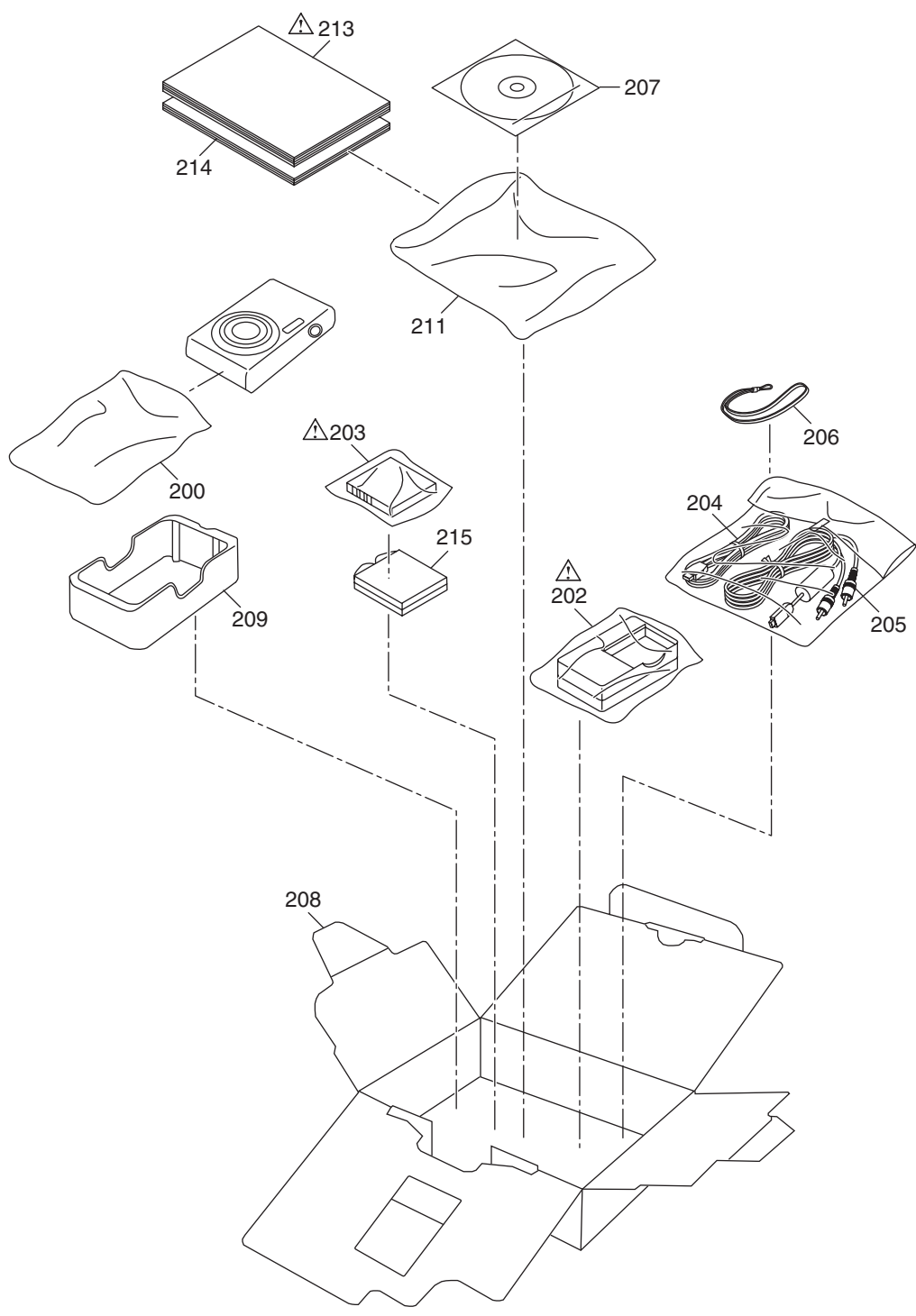
| Ref.No. | Part No.     | Part Name & Description  | Pcs | Remarks       |
|---------|--------------|--|-----|---------------|
| 314     | VQT1U71      | O/I SOFTWARE<br>(FI/SWEDISH/DANISH/POLISH/<br>CZECH/HUNGARIAN)       | 1   | E             |
| 314     | VQT1U73      | O/I SOFTWARE<br>(ENGLISH)  | 1   | EB,GN         |
| 314     | VQT1U74      | O/I SOFTWARE<br>(RUSSIAN/UKRAINIAN)                                  | 1   | EE            |
| 314     | VQT1U72      | O/I SOFTWARE<br>(FRENCH)   | 1   | EF            |
| 314     | VQT1U70      | O/I SOFTWARE<br>(GERMAN/FRENCH/ITALIAN/DUTCH/<br>SPANISH/PORTUGUESE) | 1   | EG            |
| 314     | VQT1U75      | O/I SOFTWARE<br>(ENGLISH/CHINESE(TRADITIONAL)/<br>ARABIC/PERSIAN)    | 1   | SG,GC         |
| 314     | VQT1U79      | O/I SOFTWARE<br>(KOREAN)   | 1   | GD            |
| 314     | VQT1U78      | O/I SOFTWARE<br>(CHINESE(SIMPLIFIED))                                | 1   | GK            |
| 314     | VQT1U77      | O/I SOFTWARE<br>(CHINESE(TRADITIONAL))                               | 1   | GT            |
| 314     | VQT1U76      | O/I SOFTWARE<br>(THAI)   | 1   | GJ            |
| 315     | VYQ3914      | BATTERY CARRYING CASE U  | 1   | (EXCEPT P,PC) |
| 316     | VQL1G34      | OPERATING LABEL  | 1   | GT            |
| △ 319   | K2CT3CA00004 | AC CORD W/PLUG   | 1   | EB,GC         |
| △ 320   | K2CQ2CA00006 | AC CORD W/PLUG   | 1   | E,EE,EF,EG,GC |
| △ 320   | K2CP2YY00001 | AC CORD W/PLUG   | 1   | GJ            |
| △ 321   | K2CR2CA00003 | AC CORD W/PLUG   | 1   | GD            |
| △ 322   | K2CA2CA00020 | AC CORD W/PLUG   | 1   | GK            |
| △ 322   | K2CA2CA00019 | AC CORD W/PLUG   | 1   | SG            |
| △ 322   | K2CA2CA00027 | AC CORD W/PLUG   | 1   | GT            |
| △ 323   | K2CJ2DA00008 | AC CORD W/PLUG   | 1   | GN            |

# S7. Exploded View

## S7.1. Frame and Casing Section



## S7.2. Packing Parts and Accessories Section (1)



### S7.3. Packing Parts and Accessories Section (2)

