

S6. Replacement Parts List

- Note: 1.* Be sure to make your orders of replacement parts according to this list.
2. IMPORTANT SAFETY NOTICE
Components identified with the mark \triangle have the special characteristics for safety.
When replacing any of these components, use only the same type.
3. Unless otherwise specified,
All resistors are in OHMS, K=1,000 OHMS. All capacitors are in MICRO-FARADS (uf), P=uuF.
4. The marking (RTL) indicates the retention time is limited for this item. After the discontinuation of this assembly in production, it will no longer be available.
5. Supply of CD-ROM, in accordance with license protection, is allowable as replacement parts only for customers who accidentally damaged or lost their own.

E.S.D. standards for Electrostatically Sensitive Devices, refer to PREVENTION OF ELECTROSTATIC DISCHARGE (ESD) TO ELECTROSTATICALLY SENSITIVE (ES) DEVICES section.

Definition of Parts supplier:

1. **Parts marked with [MBI] in the remarks column are supplied from Matsushita Battery Industrial Co., Ltd.**
2. **Parts marked with [PAVC-CSG] in the remarks column are supplied from PAVC COMPANY CS Group (PAVC-CSG).
Others are supplied from PAVCSG (ASPC).**

DMC-FS3P/PC/PL/PR/EB/EE/EF/EG/E/GC/GD/GK/GN/GT/GJ

Ref.No.	Part No.	Part Name & Description	Pcs	Remarks	Ref.No.	Part No.	Part Name & Description	Pcs	Remarks
					L8001	G5F1A0000026	CHIP INDUCTOR	1	
					LB8001	JOJCC0000415	FILTER	1	
					M8001	LOCBAA000012	MICROPHONE	1	
					P8002	K4Z03000334	BATTERY CATCHER	1	
					PS8001	K1KB30AA0123	CONNECTOR 30P	1	
					Q8001	B1JBLP000015	TRANSISTOR	1	E.S.D.
					Q8009	B1DFCG000020	TRANSISTOR	1	E.S.D.
					R8002	ERJ3GEYJ104V	M.RESISTOR CH 1/10W 100K	1	
					R8003	ERJ3GEYJ560V	M.RESISTOR CH 1/10W 56	1	
					R8004	ERJ2GE0R00X	M.RESISTOR CH 1/16W 0	1	
					R8006	ERJ8GEYJ105V	M.RESISTOR CH 1/8W 1M	1	
					R8012	ERJ2GE0R00X	M.RESISTOR CH 1/16W 0	1	
					R8013	ERJ2RHD153X	M.RESISTOR CH 1/16W 15K	1	
					R8021	ERJ2GEJ153X	M.RESISTOR CH 1/16W 15K	1	
					R8032	ERJ6RED105V	M.RESISTOR CH 1/16W 1M	1	
					R8033	ERJ6RED105V	M.RESISTOR CH 1/16W 1M	1	
					R8036	ERJ2GEJ103X	M.RESISTOR CH 1/16W 10K	1	
					R8037	ERJ3GEYJ3R3V	M.RESISTOR CH 1/10W 3.3	1	
					R8038	ERJ3GEYJ3R3V	M.RESISTOR CH 1/10W 3.3	1	
					S8001	K0F212A00003	SWITCH	1	
					S8002	K0D112B00145	SWITCH	1	
					S8003	K0L1CB000003	SWITCH	1	
					S8004	K0F111A00539	SWITCH	1	
					S8005	K0D112B00145	SWITCH	1	
					T8001	G5D1A0000066	TRANSFORMER	1	
					VA8001	D4ED18R00008	VARISTOR	1	
					##	VEK0L87	CCD UNIT		[PAVC-CSG] E.S.D.
					C3101	ECJ1VB1C105K	C.CAPACITOR CH 16V 1U	1	[PAVC-CSG]
					C3103	F1H1A225A051	C.CAPACITOR CH 10V 2.2U	1	[PAVC-CSG]
					Q3101	UP05C8B00L	TRANSISTOR	1	[PAVC-CSG] E.S.D.
					R3101	ERJ2GEJ470	M.RESISTOR CH 1/16W 47	1	[PAVC-CSG]
					R3102	ERJ2GEJ182	M.RESISTOR CH 1/16W 1.8K	1	[PAVC-CSG]
					R3107	ERJ2GEJ132	M.RESISTOR CH 1/16W 1.3K	1	[PAVC-CSG]
					R3108	ERJ2GEJ220	M.RESISTOR CH 1/16W 22	1	[PAVC-CSG]
					TH3101	D4CC11030026	NTC THERMISTORS	1	[PAVC-CSG]
					##	VEP58052A	FLASH TOP P.C.B.		(RTL) E.S.D.
					C8001	F1G1A1040006	C.CAPACITOR CH 10V 0.1U	1	
					C8004	F1K2J102A010	C.CAPACITOR 630V 1000P	1	
					C8006	F1K2E4730005	C.CAPACITOR 250V 0.047U	1	
					C8007	F1G1A1040006	C.CAPACITOR CH 10V 0.1U	1	
					C8009	F1J0J106A020	C.CAPACITOR CH 6.3V 10U	1	
					C8014	F1G1A1040006	C.CAPACITOR CH 10V 0.1U	1	
					C8015	D4ED18R00008	VARISTOR	1	
					C8016	D4ED18R00008	VARISTOR	1	
					C8017	F1G0J1050007	C.CAPACITOR CH 6.3V 1U	1	
					D8001	B3ADB0000120	AF LED	1	E.S.D.
					D8002	B0EDAT000002	DIODE	1	E.S.D.
					ET8001	K4AC01D00001	EARTH SPRING	1	
					ET8002	K4AC01D00001	EARTH SPRING	1	
					ET8004	N9ZZ00003333	EARTH SPRING	1	
					F8001	ERBSE1R25U	FUSE 32V 1.25A	1	
					F8021	ERBSE1R50U	FUSE 32V 1.5A	1	
					IC8001	C0ZBZ0000937	IC	1	E.S.D.

DMC-FS3P/PC/PL/PR/EB/EE/EF/EG/E/GC/GD/GK/GN/GT/GJ

Ref.No.	Part No.	Part Name & Description	Pcs	Remarks
1	VGQ9878	CCD SHEET	1	
2	VEK0L83	SD FPC UNIT	1	
3	VEP56057B	MAIN P.C.B.	1	(RTL) E.S.D.
4	ML421SIZTE	BUTTON BATTERY	1	[MBI](B9101)
5	VGQ9695	PCB SPACER	1	
6	VGQ9709	LENS SPACER	1	
7	VKF4254	JACK DOOR	1	(-S)
7	VKF4326	JACK DOOR	1	(-G)
7	VKF4272	JACK DOOR	1	(-P)
7	VKF4274	JACK DOOR	1	(-A)
7	VKF4266	JACK DOOR	1	(-K)
8	VMP8978	FRAME PLATE	1	
9	VMP8984	TRIPOD	1	
10	VMS7864	JACK DOOR SHAFT	1	
11	VYK2J15	FRONT CASE UNIT	1	(-S)
11	VYK2P53	FRONT CASE UNIT	1	(-G)
11	VYK2J24	FRONT CASE UNIT	1	(-P)
11	VYK2J27	FRONT CASE UNIT	1	(-A)
11	VYK2J21	FRONT CASE UNIT	1	(-K)
12	VYK2J18	BATTERY DOOR UNIT	1	(-S)
12	VYK2P55	BATTERY DOOR UNIT	1	(-G)
12	VYK2J26	BATTERY DOOR UNIT	1	(-P)
12	VYK2J29	BATTERY DOOR UNIT	1	(-A)
12	VYK2J23	BATTERY DOOR UNIT	1	(-K)
12-1	VMB4143	BATTERY DOOR SPRING	1	
12-2	VMS7863	BATTERY DOOR SHAFT	1	
13	VGQ9717	BATTERY LOCK KNOB	1	
14	VMB4151	BATTERY OUT SPRING	1	
15	VMB4152	BATTERY LOCK SPRING	1	
16	VMP8976	FRAME	1	(-S)(-P)(-A)
16	VMP9102	FRAME	1	(-G)(-K)
17	VYK2J97	BATTERY CASE UNIT	1	
18	VYK2Q73	TOP ORNAMENT UNIT	1	
19	L0AA01A00032	SPEAKER	1	
20	VGL1263	AF PANEL LIGHT	1	
21	VGQ9697	POWER KNOB BASE	1	
22	VGQ9836	FLASH SHEET	1	
23	VGU0C05	MODE KNOB	1	
24	VGU0C06	E.ZOOM BUTTON	1	
25	VGU0C07	POWER KNOB	1	
26	VMP8979	TOP PLATE L	1	
27	VMP8980	TOP PLATE R	1	
28	VMT1905	MIC DAMPER	1	
29	EFN-FSW51ZC	FLASH UNIT	1	
30	F2A2F9500002	E.CAPACITOR	1	(C8003)
31	VEP58052A	FLASH TOP P.C.B.	1	(RTL) E.S.D.
32	VMB4149	EARTH SPRING	1	(ET8003)
33	VYK2J85	REAR CASE UNIT	1	(-S)
33	VYK2P54	REAR CASE UNIT	1	(-G)
33	VYK2J25	REAR CASE UNIT	1	(-P)
33	VYK2J28	REAR CASE UNIT	1	(-A)
33	VYK2J22	REAR CASE UNIT	1	(-K)
33-1	VGL1265	REAR PANEL LIGHT	1	(EXCEPT P,PC,PL)
33-2	VGU0C08	CURSOR BUTTON	1	(EXCEPT P,PC,PL)
34	VYK2J17	LCD UNIT	1	
100	VXW0923	LENS UNIT (W/O CCD)	1	[PAVC-CSG]
101	VDL1950	OPTICAL FILTER	1	[PAVC-CSG]
102	VEK0L87	CCD UNIT	1	[PAVC-CSG]
103	VMX3658	CCD CUSHION	1	[PAVC-CSG]
104	VXP2903	1ST LENS FRAME UNIT	1	[PAVC-CSG]
105	VXP2898	DRIVE/DIRECT FRAME UNIT	1	[PAVC-CSG]
107	VXP2899	FIX FRAME UNIT	1	[PAVC-CSG]
109	L6DA8BEC0003	ZOOM MOTOR	1	[PAVC-CSG]
110	VXP2896	2ND LENS FRAME UNIT	1	[PAVC-CSG]
113	VXP2902	MASTER FLANGE UNIT	1	[PAVC-CSG]
113-1	L6HA66NC0013	FOCUS MOTOR UNIT	1	[PAVC-CSG]
113-2	VMB4173	FOCUS SPRING	1	[PAVC-CSG]
113-3	VXP2900	3RD LENS FRAME UNIT	1	[PAVC-CSG]
114	VEK0L88	LENS FPC UNIT	1	[PAVC-CSG]
114-1	B3NAA0000132	PHOTO SENSOR	1	[PAVC-CSG]
114-2	B3NBA0000011	PHOTO SENSOR S	1	[PAVC-CSG]
114-3	B3NBA0000011	PHOTO SENSOR S	1	[PAVC-CSG]

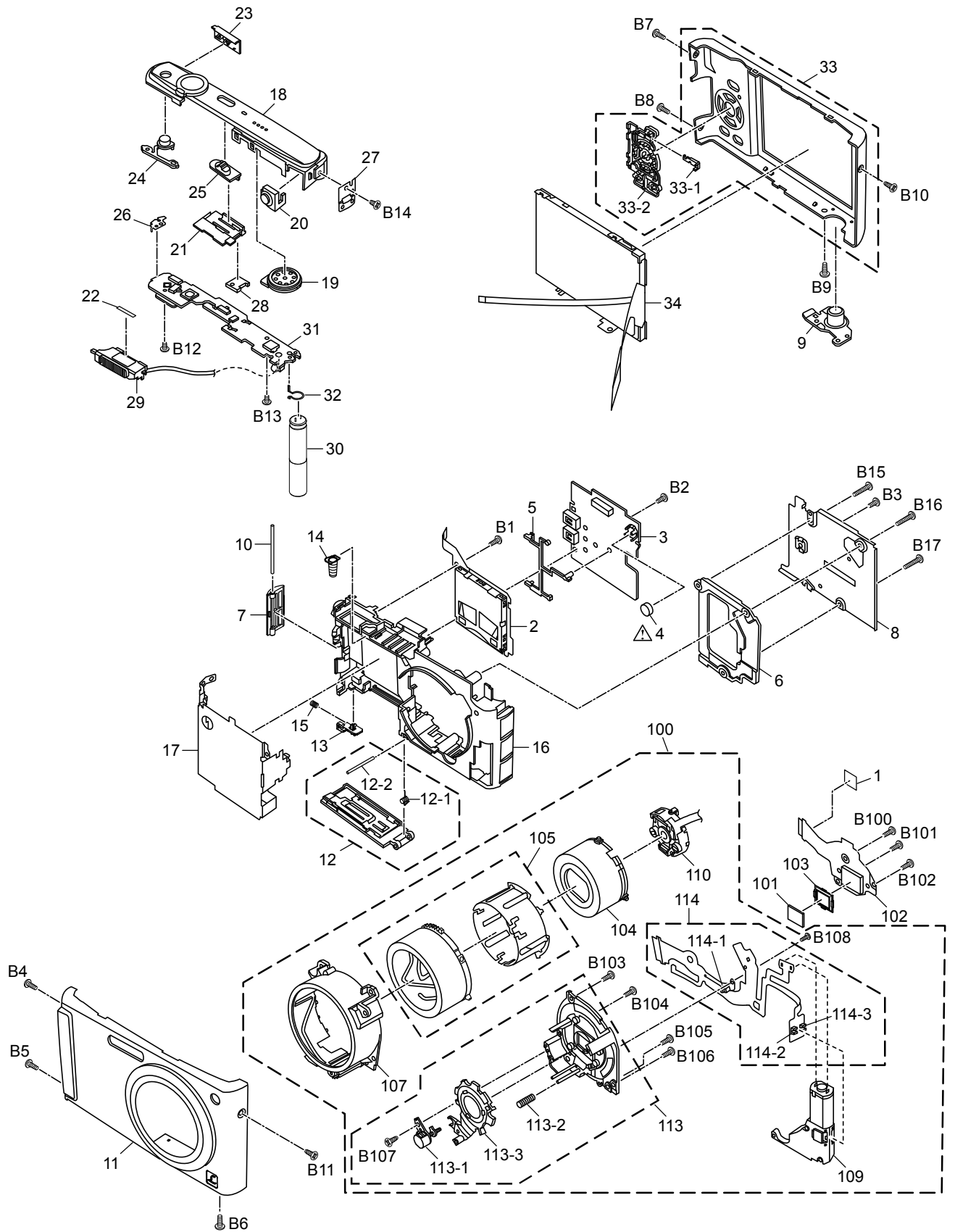
Ref.No.	Part No.	Part Name & Description	Pcs	Remarks
B1	VHD1998	SCREW	1	
B2	VHD2004	SCREW	1	
B3	VHD2004	SCREW	1	
B4	VHD2002	SCREW	1	(-S)(-G)(-P)(-A)
B4	VHD2005	SCREW	1	(-K)
B5	VHD2002	SCREW	1	(-S)(-G)(-P)(-A)
B5	VHD2005	SCREW	1	(-K)
B6	VHD2002	SCREW	1	(-S)(-G)(-P)(-A)
B6	VHD2005	SCREW	1	(-K)
B7	VHD2002	SCREW	1	(-S)(-G)(-P)(-A)
B7	VHD2005	SCREW	1	(-K)
B8	VHD2002	SCREW	1	(-S)(-G)(-P)(-A)
B8	VHD2005	SCREW	1	(-K)
B9	VHD2002	SCREW	1	(-S)(-G)(-P)(-A)
B9	VHD2005	SCREW	1	(-K)
B10	VHD2003	SCREW	1	(-S)(-G)(-P)(-A)
B10	VHD2006	SCREW	1	(-K)
B11	VHD2003	SCREW	1	(-S)(-G)(-P)(-A)
B11	VHD2006	SCREW	1	(-K)
B12	VHD1998	SCREW	1	
B13	VHD1998	SCREW	1	
B14	VHD2003	SCREW	1	
B15	XQN16+BJ7FN	SCREW	1	
B16	XQN16+BJ7FN	SCREW	1	
B17	XQN16+BJ7FN	SCREW	1	
B100	VHD1871	SCREW	1	[PAVC-CSG]
B101	VHD1871	SCREW	1	[PAVC-CSG]
B102	VHD1871	SCREW	1	[PAVC-CSG]
B103	XQN14+CJ4FN	SCREW	1	[PAVC-CSG]
B104	XQN14+CJ4FN	SCREW	1	[PAVC-CSG]
B105	XQN14+CJ4FN	SCREW	1	[PAVC-CSG]
B106	XQN14+CJ4FN	SCREW	1	[PAVC-CSG]
B107	XQN14+CJ4FN	SCREW	1	[PAVC-CSG]
B108	VHD2020	SCREW	1	[PAVC-CSG]

DMC-FS3P/PC/PL/PR/EB/EE/EF/EG/E/GC/GD/GK/GN/GT/GJ

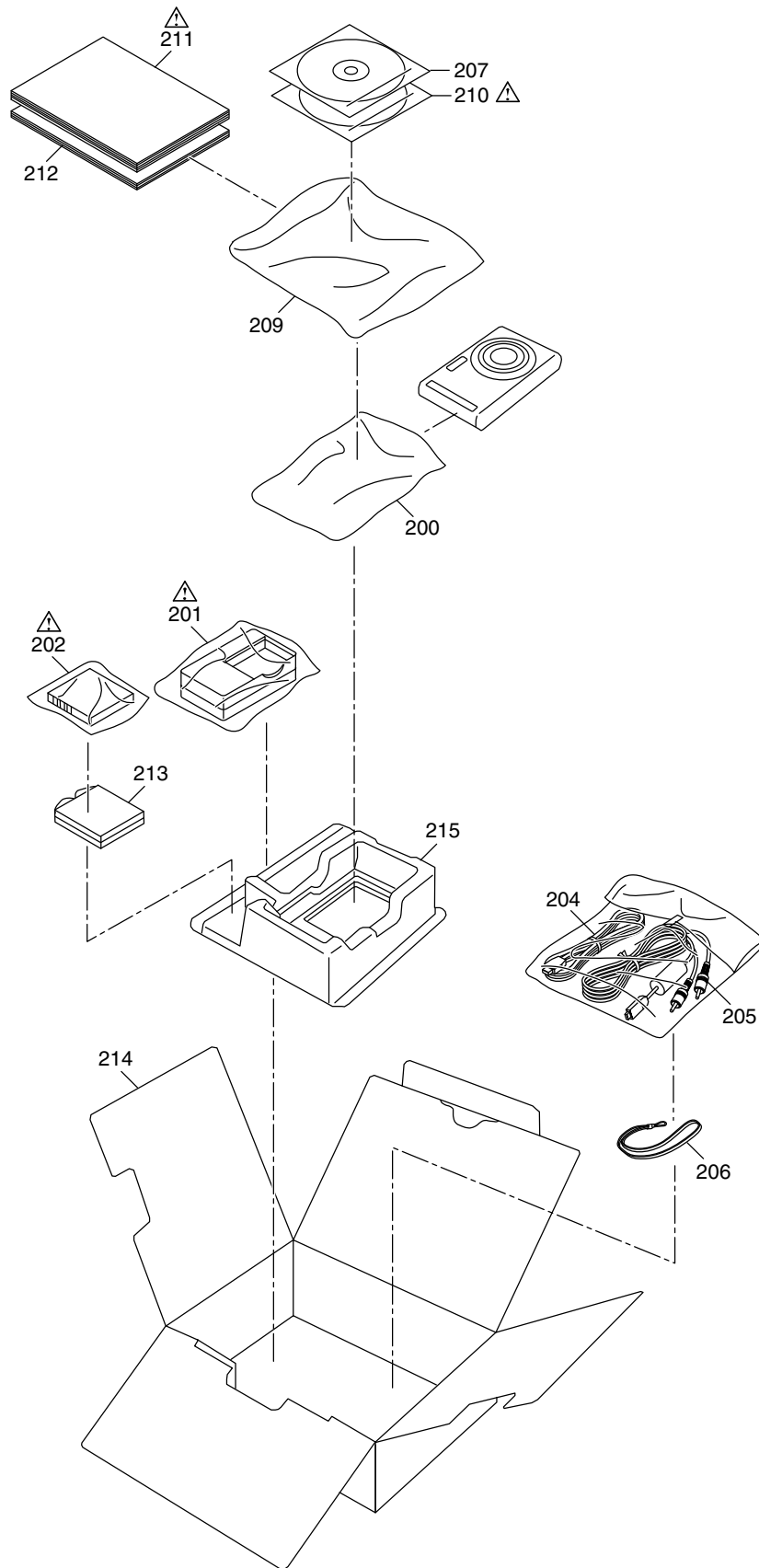
Ref.No.	Part No.	Part Name & Description	Pcs	Remarks	Ref.No.	Part No.	Part Name & Description	Pcs	Remarks
300	VPF1302	CAMERA BAG	1	(EXCEPT P,PC,PL)	314	VPK3486	PACKING CASE	1	PR-K,EB-K,EE-K,EF-K,EG-K, E-K,GC-K,GD-K,GN-K,GJ-K
△ 301	DE-A40PA/SX	BATTERY CHARGER	1	PR	314	VPK3491	PACKING CASE	1	PR-P,EB-P,EE-P,EF-P,EG-P, E-P,GC-P,GN-P,GT-P,GJ-P
△ 301	DE-A40AA/SX	BATTERY CHARGER	1	EB,EF,EG,E,GN	314	VPK3494	PACKING CASE	1	PR-A,EB-A,EE-A,EF-A,EG-A, E-A
△ 301	DE-A40BA/SX	BATTERY CHARGER	1	EE,GC,GD,GK,GJ	314	VPK3418	PACKING CASE	1	GK-S
△ 301	DE-A40CA/SX	BATTERY CHARGER	1	GT	314	VPK3488	PACKING CASE	1	GK-K
△ 302	-----	BATTERY	1	(EXCEPT P,PC,PL)	315	VPN6663	CUSHION	1	(EXCEPT P,PC,PL)
304	K1HA08CD0007	USB CABLE W/PLUG	1	(EXCEPT P,PC,PL)	316	VQL1G34	OPERATION LABEL	1	GT
305	K1HA08CD0008	AV CABLE W/PLUG	1	(EXCEPT P,PC,PL)	△ 319	K2CT3CA00004	AC CORD W/PLUG	1	EB,GC
306	VFC4297-A	HAND STRAP	1	(EXCEPT P,PC,PL)	△ 320	K2CQ2CA00006	AC CORD W/PLUG	1	EE,EF,EG,E,GC
307	VFF0401-S	CD-ROM	1	(EXCEPT P,PC,PL) See "Notes" [PAVC-CSG]	△ 320	K2CP2Y00001	AC CORD W/PLUG	1	GJ
309	VPF1100	BAG, POLYETHYLENE	1	(EXCEPT P,PC,PL)	△ 321	RJA0078-1X	AC CORD W/PLUG	1	GD
△ 310	VFF0406-C	CD-ROM (INSTRUCTION BOOK)	1	PR,EG,E,GC	△ 322	K2CA2CA00020	AC CORD W/PLUG	1	GK
△ 311	VQT1N04	SIMPLIFIED O/I (SPANISH/PORTUGUESE)	1	PR,EG	△ 322	K2CA2CA00027	AC CORD W/PLUG	1	GT
△ 311	VQT1N09	INSTRUCTION BOOK (ENGLISH)	1	EB	△ 323	K2CJ2DA00008	AC CORD W/PLUG	1	GN
△ 311	VQT1N18	INSTRUCTION BOOK (RUSSIAN)	1	EE	△ 323	RJA0071-K	AC CORD W/PLUG	1	PR
△ 311	VQT1N19	INSTRUCTION BOOK (UKRAINIAN)	1	EE					
△ 311	VQT1N08	INSTRUCTION BOOK (FRENCH)	1	EF					
△ 311	VQT1N02	SIMPLIFIED O/I (GERMAN/FRENCH)	1	EG					
△ 311	VQT1N03	SIMPLIFIED O/I (ITALIAN/DUTCH)	1	EG					
△ 311	VQT1N05	SIMPLIFIED O/I (SWEDISH/DANISH)	1	E					
△ 311	VQT1N06	SIMPLIFIED O/I (POLISH/CZECH)	1	E					
△ 311	VQT1N07	SIMPLIFIED O/I (HUNGARIAN/FINNISH)	1	E					
△ 311	VQT1N12	SIMPLIFIED O/I (ENGLISH/ CHINESE(TRADITIONAL))	1	GC					
△ 311	VQT1N13	SIMPLIFIED O/I (ARABIC/PERSIAN)	1	GC					
△ 311	VQT1N17	INSTRUCTION BOOK (KOREAN)	1	GD					
△ 311	VQT1N20	INSTRUCTION BOOK (CHINESE(SIMPLIFIED))	1	GK					
△ 311	VQT1N16	INSTRUCTION BOOK (ENGLISH)	1	GN					
△ 311	VQT1Q99	INSTRUCTION BOOK (CHINESE(TRADITIONAL))	1	GT					
△ 311	VQT1Q75	INSTRUCTION BOOK (THAI)	1	GJ					
312	VQT1M49	O/I SOFTWARE (GERMAN/FRENCH/ITALIAN/ DUTCH/SPANISH/ PORTUGUESE)	1	PR,EG					
312	VQT1M52	O/I SOFTWARE (ENGLISH)	1	EB,GN					
312	VQT1M53	O/I SOFTWARE (RUSSIAN/UKRAINIAN)	1	EE					
312	VQT1M51	O/I SOFTWARE (FRENCH)	1	EF					
312	VQT1M50	O/I SOFTWARE (SWEDISH/DANISH/POLISH/ CZECH/HUNGARIAN/FINNISH)	1	E					
312	VQT1M54	O/I SOFTWARE (ENGLISH/ARABIC/PERSIAN/ CHINESE(TRADITIONAL))	1	GC					
312	VQT1M57	O/I SOFTWARE (KOREAN)	1	GD					
312	VQT1R29	O/I SOFTWARE (CHINESE(SIMPLIFIED))	1	GK					
312	VQT1R28	O/I SOFTWARE (CHINESE(TRADITIONAL))	1	GT					
312	VQT1Q76	O/I SOFTWARE (THAI)	1	GJ					
313	VYQ3914	BATTERY CARRYING CASE U	1	(EXCEPT P,PC,PL)					
314	VPK3417	PACKING CASE	1	EB-S,EE-S,EF-S,EG-S,E-S, GC-S,GD-S,GN-S,GT-S, GJ-S					

S7. Exploded View

S7.1. Frame and Casing Section



S7.2. Packing Parts and Accessories Section (1)



S7.3. Packing Parts and Accessories Section (2)

