

S6. Replacement Parts List

- Note:
1. * Be sure to make your orders of replacement parts according to this list.
 2. **IMPORTANT SAFETY NOTICE**
Components identified with the mark \triangle have the special characteristics for safety.
When replacing any of these components, use only the same type.
 3. Unless otherwise specified,
All resistors are in OHMS, K=1,000 OHMS. All capacitors are in MICRO-FARADS (uf), P=uuF.
 4. The marking (RTL) indicates the retention time is limited for this item. After the discontinuation of this assembly in production, it will no longer be available.
 5. Supply of CD-ROM, in accordance with license protection, is allowable as replacement parts only for customers who accidentally damaged or lost their own.

E.S.D. standards for Electrostatically Sensitive Devices, refer to PREVENTION OF ELECTROSTATIC DISCHARGE (ESD) TO ELECTROSTATICALLY SENSITIVE (ES) DEVICES section.

Definition of Parts supplier:

1. Parts marked with [ENERGY] in the remarks column are supplied from Panasonic Corporation Energy Company.
2. Parts marked with [SPC] in the remarks column are supplied from AVC-CSC-SPC. Others are supplied from PAVCSG.

DMC-FS35EG-S

Ref.No.	Part No.	Part Name & Description	Pcs	Remarks	Ref.No.	Part No.	Part Name & Description	Pcs	Remarks
1	VEP56126C	MAIN P.C.B.	1	(RTL) E.S.D.	100	VXW1229	LENS UNIT (W/O CCD)	1	[SPC]
2	VEP58149A	FLASH TOP P.C.B.	1	(RTL) E.S.D.	102	VEK0R36	CCD UNIT	1	[SPC] E.S.D.
3	VEP59094A	SUB P.C.B.	1	(RTL) E.S.D.	103	L6DA8DFC0002	ZOOM MOTOR	1	[SPC]
4	ML-421S/DN	BATTERY	1	(B9101) [ENERGY]	104	VEK0P74	LENS FPC UNIT	1	[SPC]
5	VGQ0S76	DPR SHEET	1		104-1	B3NBA0000011	PHOTO SENSOR	1	[SPC]
6	VGQ0V76	DPR SHEET	1		104-2	B3NBA0000011	PHOTO SENSOR	1	[SPC]
7	VMP9869	FRAME PLATE	1		104-3	B3NBA0000011	PHOTO SENSOR	1	[SPC]
8	VYK4N13	FRONT CASE UNIT	1	35EG-S,EP-S,EB-S,EE-S, 25PU-S,GC-S,GH-S,GF-S, GA-S,GK-S,GN-S	105	VDW1958	BOTH SIDES CAM FRAME	1	[SPC]
8	VYK4N31	FRONT CASE UNIT	1	35EG-K,EP-K,EF-K,EB-K, EE-K, 25PC-K,PU-K,PR-K, GC-K,GH-K,GF-K,GA-K, GT-K,GK-K,GN-K	106	VDW1962	2ND 3RD DIRECT FRAME	1	[SPC]
8	VYK4N32	FRONT CASE UNIT	1	35EG-R,EP-R,EF-R,EB-R, 25PC-R,PU-R,GC-R,GH-R, GF-R,GA-R,GK-R,GN-R	107	VXP3556	1ST LENS FRAME UNIT	1	[SPC]
8	VYK4N33	FRONT CASE UNIT	1	35EG-A,EP-A,EB-A,EE-A, PC-A,PU-A,GK-A,GN-A	108	VXP3579	1ST DIRECT FRAME UNIT	1	[SPC]
8	VYK4N34	FRONT CASE UNIT	1	35EG-V,EP-V,EB-V, 25PC-V, PU-V,PR-V,GT-V	109	VXP3349	2ND LENS FRAME UNIT	1	[SPC]
8	VYK4N50	FRONT CASE UNIT	1	25P-S	110	VXP3350	3RD LENS FRAME UNIT	1	[SPC]
8	VYK4N51	FRONT CASE UNIT	1	25P-K, 24P-K	111	VXQ2071	FIX FRAME UNIT	1	[SPC]
8	VYK4N52	FRONT CASE UNIT	1	25P-R	112	VXQ2072	MASTER FLANGE UNIT	1	[SPC]
8	VYK4N53	FRONT CASE UNIT	1	25P-A	112-1	L6HA64NC0020	FOCUS MOTOR UNIT	1	[SPC]
8	VYK4N54	FRONT CASE UNIT	1	25P-V	112-2	VMB4333	FOCUS SPRING	1	[SPC]
8-1	VGK3718	LENS RING	1		112-3	VXP3358	4TH LENS FRAME UNIT	1	[SPC]
9	VYK4N35	REAR CASE UNIT	1	(-S)	113	VXP3560	DRIVE/PENETRAION FRAME UNIT	1	[SPC]
9	VYK4N36	REAR CASE UNIT	1	(-K)	114	VZT0938	TAPE A	1	[SPC]
9	VYK4N37	REAR CASE UNIT	1	(-R)	115	VZT0938	TAPE A	1	[SPC]
9	VYK4N38	REAR CASE UNIT	1	(-A)	116	VZT0939	TAPE B	1	[SPC]
9	VYK4N39	REAR CASE UNIT	1	(-V)	B1	VHD2081	SCREW	1	(-S)
9-1	VGU0H57	CURSOR BUTTON	1		B1	VHD2082	SCREW	1	(-K/R/AV)
9-2	VGU0H58	SET BUTTON	1		B2	VHD2081	SCREW	1	(-S)
10	VYK4N40	BATTERY DOOR UNIT	1	(-S)	B2	VHD2082	SCREW	1	(-K/R/AV)
10	VYK4N41	BATTERY DOOR UNIT	1	(-K)	B3	VHD2081	SCREW	1	(-S)
10	VYK4N42	BATTERY DOOR UNIT	1	(-R)	B3	VHD2082	SCREW	1	(-K/R/AV)
10	VYK4N43	BATTERY DOOR UNIT	1	(-A)	B4	VHD2194	SCREW	1	(-S)
10	VYK4N44	BATTERY DOOR UNIT	1	(-V)	B4	VHD2195	SCREW	1	(-K/R/AV)
11	B3ADA0000230	AF LED	1	(D8001) E.S.D.	B5	VHD2194	SCREW	1	(-S)
12	F2A2F8800003	E.CAPACITOR	1	(C8003)	B5	VHD2195	SCREW	1	(-K/R/AV)
13	L0AA01A00098	SPEAKER	1		B6	VHD2194	SCREW	1	(-S)
14	L0CBAY000093	MICROPHONE UNIT	1	(M8001)	B6	VHD2195	SCREW	1	(-K/R/AV)
15	VEK0R28	FLASH UNIT	1		B7	VHD2194	SCREW	1	(-S)
16	VGL1290	AF PANEL LIGHT	1		B7	VHD2195	SCREW	1	(-K/R/AV)
17	VMB4278	C-EARTH SPRING	1	(ET8003)	B8	VHD2194	SCREW	1	(-S)
18	VMP9873	TOP PLATE	1	(ET8005)	B8	VHD2195	SCREW	1	(-K/R/AV)
19	VMT2136	MIC DUMPER	1		B9	VHD2194	SCREW	1	(-S)
20	VMT2137	IRIS DUMPER	1		B9	VHD2195	SCREW	1	(-K/R/AV)
21	VYK4P46	TOP CASE UNIT	1	35EG,EP,EF,EB,EE	B10	VHD2210	SCREW	1	
21	VYK4P45	TOP CASE UNIT	1	25P,PC,PU,PR,GC,GH,GF, GA,GT,GK,GN	B10	VHD2210	SCREW	1	
21	VYK5A18	TOP CASE UNIT	1	24P	B11	VHD1909	SCREW	1	
21-1	VGQ0J75	POWER KNOB BASE	1		B12	VHD1909	SCREW	1	
21-2	VGU0H46	POWER KNOB	1		B13	VHD1909	SCREW	1	
21-3	VGU0H66	EZ BUTTON	1		B14	VHD1998	SCREW	1	
22	VGQ0M78	BATTERY LOCK KNOB	1		B15	VHD1998	SCREW	1	
23	VKF4789	JACK DOOR	1	(-S)	B16	VHD2004	SCREW	1	
23	VKF4836	JACK DOOR	1	(-K)	B17	XQN16+BJ7FN	SCREW	1	
23	VKF4837	JACK DOOR	1	(-R)	B18	XQN16+BJ7FN	SCREW	1	
23	VKF4838	JACK DOOR	1	(-A)	B19	XQN16+BJ7FN	SCREW	1	
23	VKF4839	JACK DOOR	1	(-V)	B101	VHD1871	SCREW	1	[SPC]
24	VMB4152	BATTERY LOCK SPRING	1		B102	VHD1871	SCREW	1	[SPC]
25	VMB4337	BATTERY OUT SPRING	1		B103	VHD2011	SCREW	1	[SPC]
26	VMP9240	TRIPOD	1		B104	VHD2296	SCREW	1	[SPC]
27	VMP9868	FRAME	1		B105	VHD2296	SCREW	1	[SPC]
28	VMP9872	BATTERY CASE	1		B106	VHD2296	SCREW	1	[SPC]
29	VMS7863	BATTERY DOOR SHAFT	1		B107	VHD2296	SCREW	1	[SPC]
30	VMS7863	JACK DOOR SHAFT	1		B108	VHD2296	SCREW	1	[SPC]
31	VYK5C83	LCD UNIT	1		B109	VHD2296	SCREW	1	[SPC]
31-1	VYP9322	LCD PANEL UNIT	1		B110	VHD2296	SCREW	1	[SPC]
32	VGQ0R77	PCB SPACER	1		B111	VHD2296	SCREW	1	[SPC]
33	VGU0F46	MODE KNOB	1						

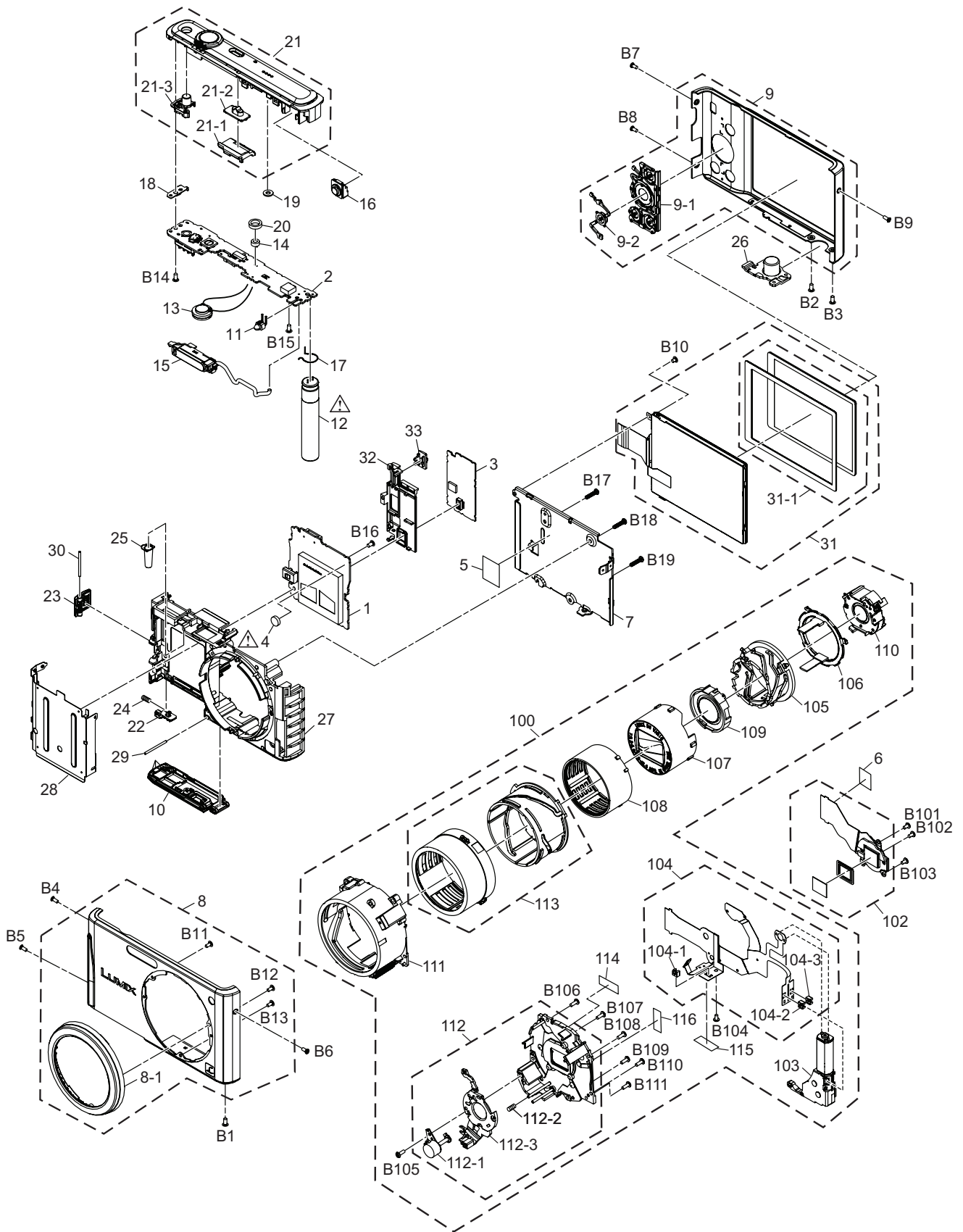
DMC-FS35EG-S

Ref.No.	Part No.	Part Name & Description	Pcs	Remarks
300	VPF1372-A	CAMERA BAG	1	EXCEPT P,PC,PU
△ 301	DE-A92AA/SX	BATTERY CHARGER	1	35EG,EP,EF,EB,EE, 25GN
△ 301	DE-A92DA/SX	BATTERY CHARGER	1	25PR
△ 301	DE-A92BA/SX	BATTERY CHARGER	1	25GH,GF,GA,GK
△ 301	DE-A92CA/SX	BATTERY CHARGER	1	25GT
△ 301	DE-A92BA	BATTERY CHARGER	1	25GC [SPC]
△ 302	-----	BATTERY	1	EXCEPT P,PC,PU
304	K1HY08YY0019	USB CABLE W/PLUG	1	EXCEPT P,PC,PU
305	K1HY08YY0020	AV CABLE W/PLUG	1	EXCEPT P,PC,PU
306	VFC4297-B	HAND STRAP	1	EXCEPT P,PC,PU
308	VPF1378	BAG, POLYETHYLENE	1	EXCEPT P,PC,PU
△ 311	VFF0727-S	CD-ROM (SOFT/INSTRUCTION BOOK)	1	35EG,EP,EF,EB [SPC] See "Notes"
△ 311	VFF0728-S	CD-ROM (SOFT/INSTRUCTION BOOK)	1	35EE [SPC] See "Notes"
△ 311	VFF0729-S	CD-ROM (SOFT/INSTRUCTION BOOK)	1	25GH,GF,GA,GT,GN [SPC] See "Notes"
△ 311	VFF0730-S	CD-ROM (SOFT/INSTRUCTION BOOK)	1	25GK [SPC] See "Notes"
△ 311	VFF0726-S	CD-ROM (SOFT/INSTRUCTION BOOK)	1	25PR [SPC] See "Notes"
△ 311	VFF0794-S	CD-ROM (SOFT/INSTRUCTION BOOK)	1	25GC [SPC] See "Notes"
312	VQC8057	O/I SOFTWARE (GERMAN/FRENCH/ITALIAN/ DUTCH/SPANISH/ PORTUGUESE/TURKISH)	1	35EG
312	VQC8058	O/I SOFTWARE (FINNISH/SWEDISH/DANISH/ POLISH/CZECH/HUNGARIAN)	1	35EP
312	VQC8059	O/I SOFTWARE (FRENCH)	1	35EF
312	VQC8060	O/I SOFTWARE (ENGLISH)	1	35EB, 25GN
312	VQC8061	O/I SOFTWARE (RUSSIAN/UKRAINIAN)	1	35EE
312	VQC8062	O/I SOFTWARE (ENGLISH/ CHINESE(TRADITIONAL)/ ARABIC/PERSIAN)	1	25GC,GH,GF,GA
312	VQC8063	O/I SOFTWARE (CHINESE(TRADITIONAL))	1	25GT
312	VQC8064	O/I SOFTWARE (CHINESE(SIMPLIFIED))	1	25GK
312	VQC8056	O/I SOFTWARE (SPANISH/PORTUGUESE)	1	25PR
△ 313	VQT3D33	BASIC O/I (GERMAN/FRENCH)	1	35EG
△ 313	VQT3D34	BASIC O/I (ITALIAN/DUTCH)	1	35EG
△ 313	VQT3D35	BASIC O/I (SPANISH/PORTUGUESE)	1	35EG
△ 313	VQT3D36	BASIC O/I (TURKISH)	1	35EG
△ 313	VQT3D37	BASIC O/I (SWEDISH/DANISH)	1	35EP
△ 313	VQT3D38	BASIC O/I (POLISH/CZECH)	1	35EP
△ 313	VQT3D39	BASIC O/I (HUNGARIAN/FINNISH)	1	35EP
△ 313	VQT3D40	BASIC O/I (FRENCH)	1	35EF
△ 313	VQT3D41	BASIC O/I (ENGLISH)	1	35EB
△ 313	VQT3D42	BASIC O/I (RUSSIAN/UKRAINIAN)	1	35EE
△ 313	VQT3D32	BASIC O/I (SPANISH)	1	25PR
△ 313	VQT3D43	BASIC O/I (ENGLISH/ CHINESE(TRADITIONAL))	1	25GC,GH,GF,GA
△ 313	VQT3D44	BASIC O/I (ARABIC/PERSIAN)	1	25GC,GF
△ 313	VQT3M09	BASIC O/I (VIETNAMESE)	1	25GA

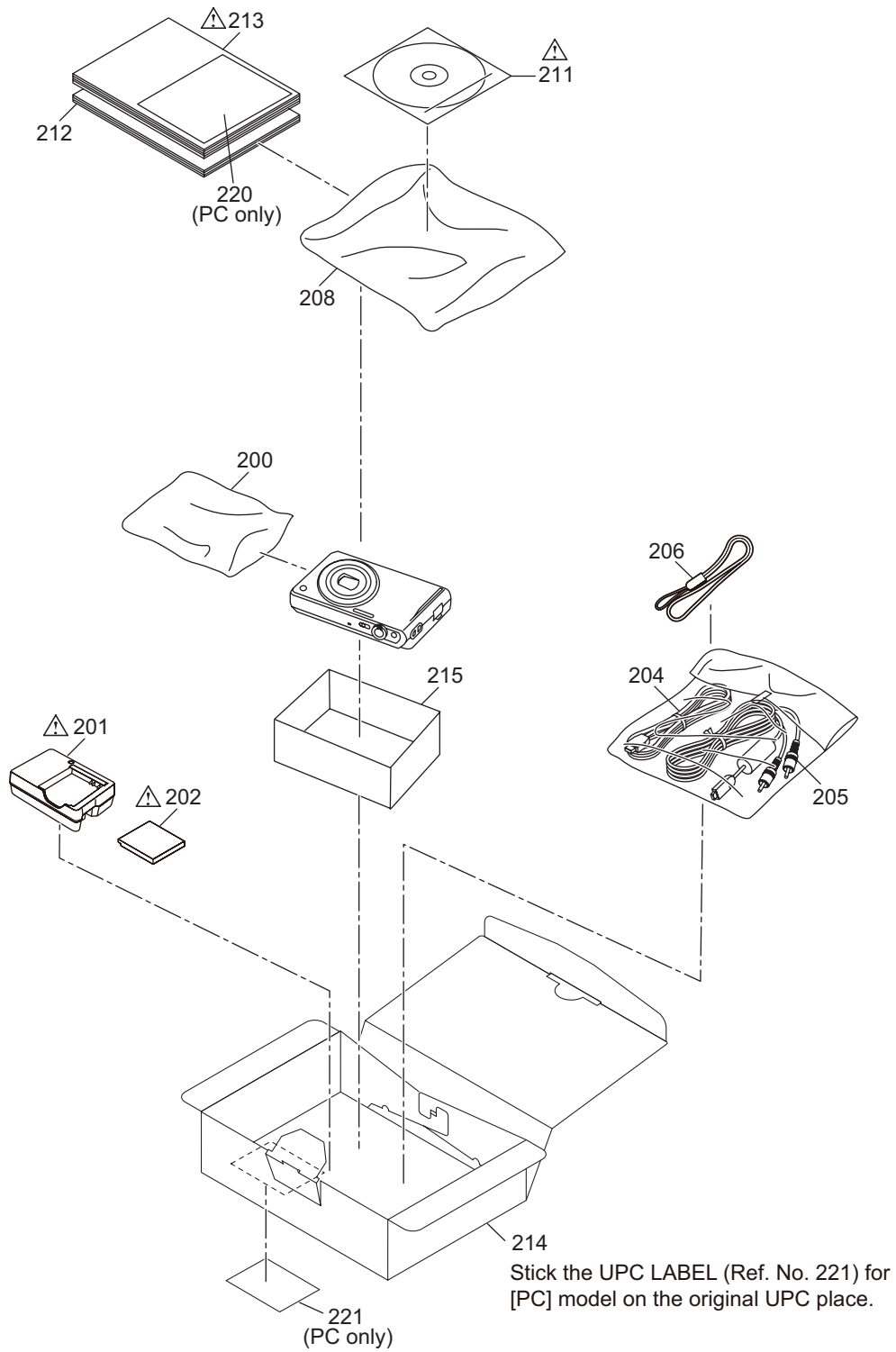
Ref.No.	Part No.	Part Name & Description	Pcs	Remarks
△ 313	VQT3D45	BASIC O/I (CHINESE(TRADITIONAL))	1	25GT
△ 313	VQT3D46	BASIC O/I (CHINESE(SIMPLIFIED))	1	25GK
△ 313	VQT3D47	BASIC O/I (ENGLISH)	1	25GN
314	VPK4674	PACKING CASE	1	35EG-S,EP-S,EB-S,EE-S
314	VPK4679	PACKING CASE	1	35EG-K,EP-K,EF-K,EB-K, EE-K
314	VPK4684	PACKING CASE	1	35EG-R,EP-R,EF-R,EB-R
314	VPK4689	PACKING CASE	1	35EG-A,EP-A,EB-A,EE-A
314	VPK4694	PACKING CASE	1	35EG-V,EP-V,EB-V
314	VPK4680	PACKING CASE	1	25PR-K,GH-K,GA-K,GT-K, GN-K
314	VPK4695	PACKING CASE	1	25PR-V,GT-V
314	VPK4675	PACKING CASE	1	25GH-S,GA-S,GN-S
314	VPK4685	PACKING CASE	1	25GH-R,GA-R,GN-R
314	VPK4676	PACKING CASE	1	25GF-S
314	VPK4681	PACKING CASE	1	25GF-K
314	VPK4686	PACKING CASE	1	25GF-R
314	VPK4697	PACKING CASE	1	25GK-S
314	VPK4698	PACKING CASE	1	25GK-K
314	VPK4699	PACKING CASE	1	25GK-R
314	VPK4700	PACKING CASE	1	25GK-A
314	VPK4690	PACKING CASE	1	25GN-A
314	VPK4918	PACKING CASE	1	25GC-K [SPC]
314	VPK4917	PACKING CASE	1	25GC-S [SPC]
314	VPK4919	PACKING CASE	1	25GC-R [SPC]
315	VPN7164	CUSHION	1	35EG,EP,EF,EB,EE, 25PR, GC,GH,GF,GA,GT,GK,GN
△ 319	K2CT3YY00034	AC CORD W/PLUG	1	35EB, 25GH
△ 319	K2CT39A00002	AC CORD W/PLUG	1	25GC [SPC]
△ 320	K2CQ2YY00082	AC CORD W/PLUG	1	35EG,EP,EF,EE, 25GF,GA
△ 321	K2CJ2YY00052	AC CORD W/PLUG	1	25GN
△ 322	K2CA2YY00129	AC CORD W/PLUG	1	25GT
△ 322	K2CA2YY00130	AC CORD W/PLUG	1	25GK
△ 323	K2CJ2YY00053	AC CORD W/PLUG	1	25PR
325	VQL2C68-1A	TAIWAN OPE LABEL	1	25GT

S7. Exploded View

S7.1. Frame and Casing Section



S7.2. Packing Parts and Accessories Section (1)



S7.3. Packing Parts and Accessories Section (2)

