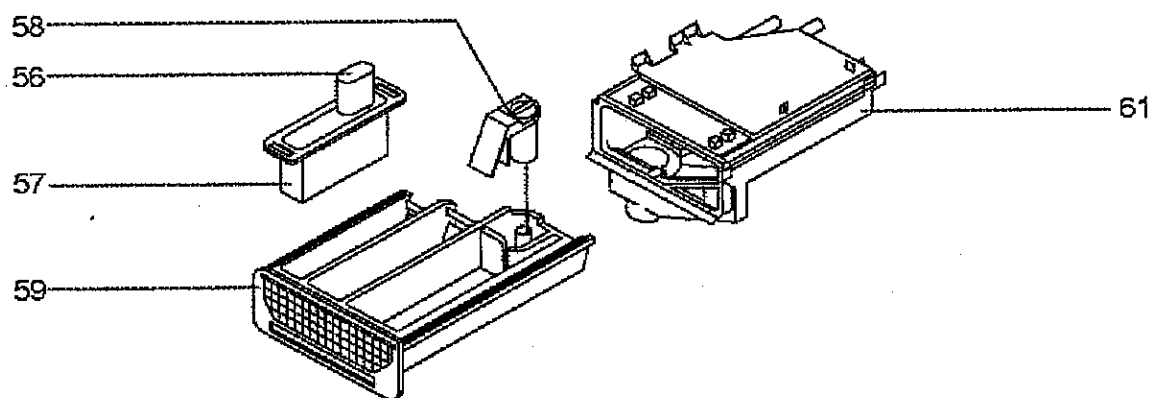
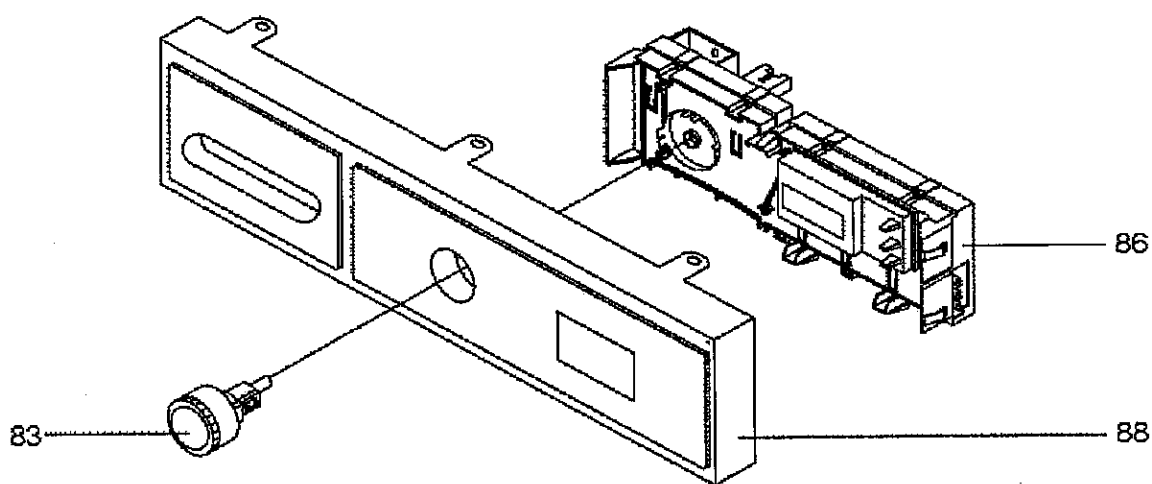


DLZ614JE1
905580035

De Dietrich 



FAGOR  BRANDT

5DL0040

Brandt Customer Services

12/2006

1/8

DLZ614JE1
905580035

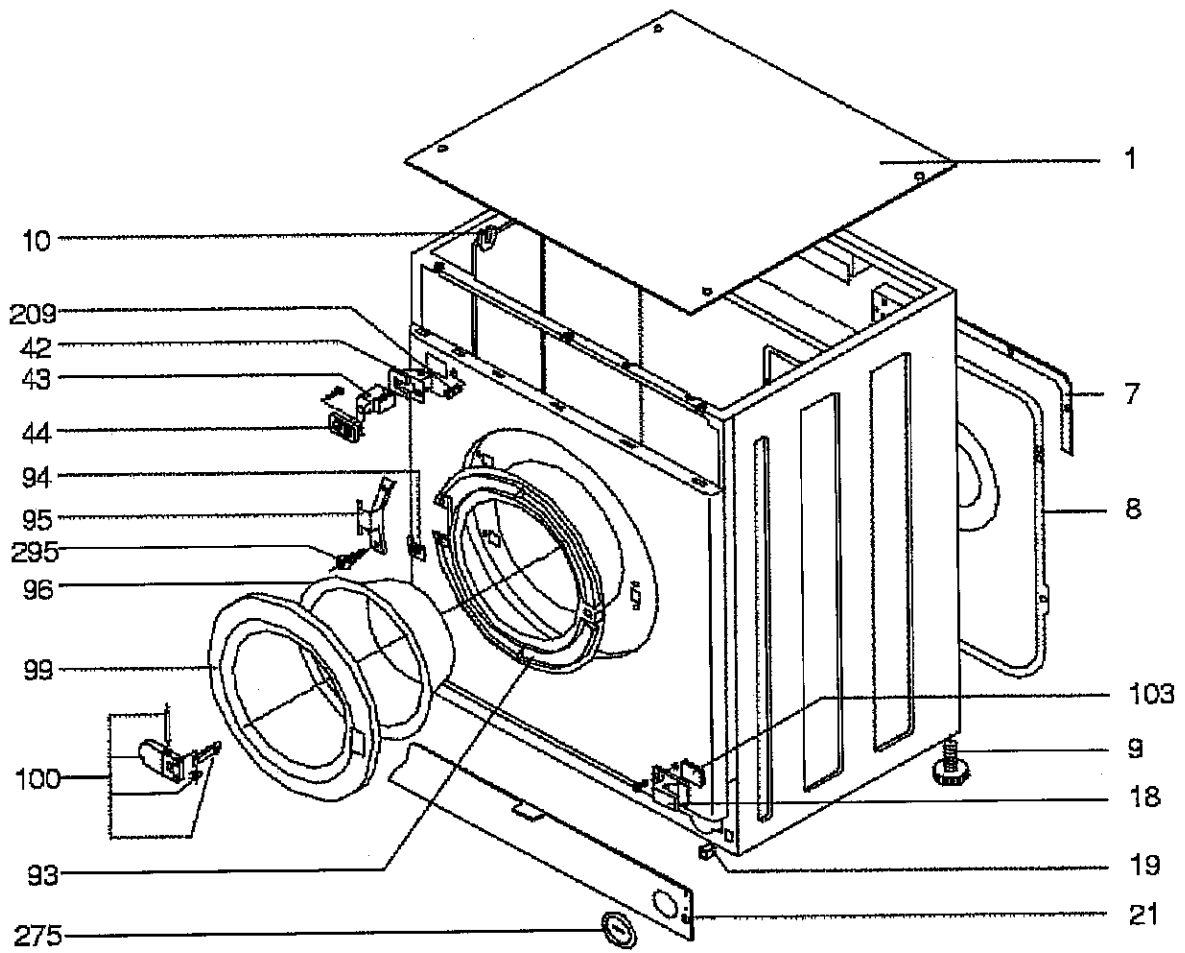
De Dietrich 



| REP. | REF. SAV | DESIGNATION | REP. | REF. SAV | DESIGNATION |
|------|----------|----------------------------|------|----------|---------------------|
| 0 | 52X0229 | CONNECTEUR 13 V | 56 | 55X9917 | SYPHON |
| 0 | 52X0230 | CONNECTEUR 7 V | 57 | 55X9918 | KIT LESSIVE LIQUIDE |
| 0 | 52X1313 | FILERIE DE CARTE 8,10,12 V | 58 | 55X9916 | SYPHON |
| 0 | 52X2071 | CONNECTEUR 10V | 59 | 52X0094 | TIROIR A LESSIVE |
| 0 | 52X2074 | CONNECTEUR | 61 | 52X0095 | BOITE A PRODUITS |
| 0 | 52X2073 | CONNECTEUR 2 V | 83 | 52X3873 | BOUTON DE COMMANDE |
| 0 | 52X2181 | GABARIT DE MONTAGE | 86 | 52X3872 | CARTE ELECTRONIQUE |
| 0 | 52X2182 | KIT ENCASTREMENT | 88 | 52X4474 | BANDEAU |

DLZ614JE1
905580035

De Dietrich 



FAGOR  BRANDT

5DL0040

Brandt Customer Services

12/2006

3/8

DLZ614JE1
905580035

De Dietrich 



| REP. | REF. SAV | DESIGNATION | REP. | REF. SAV | DESIGNATION |
|------|----------|---------------------------|------|----------|----------------------|
| 0 | 55X9888 | ENJOLIVEUR ARRIERE | 93 | 52X2170 | CONTRE PORTE |
| 1 | 55V9998 | TOLE PROTECTRICE >1000TRS | 94 | 52X1711 | RENFORT CHARNIERE |
| 7 | 52X2151 | HABILLAGE BLANC | 95 | 52X2171 | CHARNIERE DE HUBLLOT |
| 8 | 55X9889 | TOLE ARRIERE | 96 | 55X9900 | HUBLLOT |
| 9 | 52X0077 | PIED REGLABLE | 99 | 52X2172 | CADRE DE HUBLLOT |
| 10 | 55X9895 | EMBOUT | 100 | 96X1004 | MANETTE |
| 18 | 52X2153 | CHARNIERE DE PORTE | 103 | 52X2177 | CACHE CHARNIERE |
| 19 | 52X2522 | TAQUET | 103 | 95X6593 | BOUCHON |
| 21 | 96X1020 | PLINTHE | 209 | 52X2179 | AIMANT |
| 42 | 52X2167 | SUPPORT VERROU | 275 | 52X0861 | BOUCHON |
| 43 | 52X2168 | FERMETURE | 295 | 52X1293 | VIS 4,2X13 |
| 44 | 52X2169 | FERMETURE DE PORTE | | | |

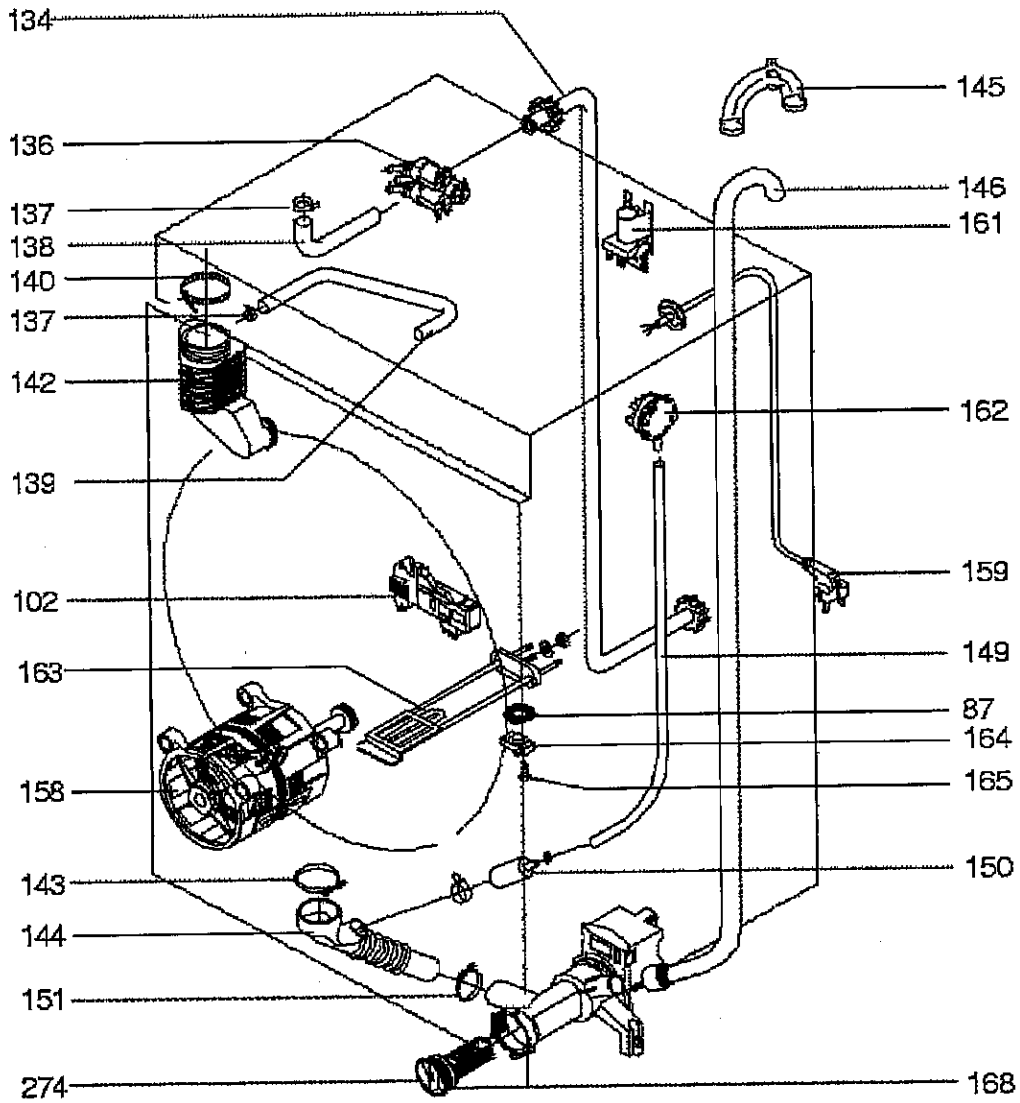
FAGOR  BRANDT

5DL0040

Brandt Customer Services

12/2006

4/8



DLZ614JE1
905580035

De Dietrich 



| REP. | REF. SAV | DESIGNATION | REP. | REF. SAV | DESIGNATION |
|------|----------|----------------------|------|----------|--------------------------------|
| 87 | 55X9930 | JOINT DE THERMOSTAT | 146 | 41X0115 | TUYAU DE VIDANGE |
| 102 | 52X0984 | SECURITE DE PORTE | 149 | 55X9910 | TUYAU PRESSOSTAT |
| 134 | 55X9904 | TUYAU D'ALIMENTATION | 150 | 55X9911 | CHAMBRE COMPRESSION |
| 136 | 52X3570 | ELECTROVANNE 3VOIES | 151 | 55X9981 | ENS.BLOCAGE TUYAU |
| 137 | 52X0882 | COLLIER FIXATION | 158 | 52X3600 | MOTEUR |
| 138 | 55X9905 | TUYAU DE LAVAGE | 159 | 52X2523 | CORDON SECTEUR |
| 139 | 52X0103 | TUYAU ANTI CONDENS. | 161 | 52X3571 | FILTRE ANTIPARASITES |
| 140 | 52X0011 | COLLIER FIXATION | 162 | 95X8637 | PRESSOSTAT |
| 142 | 55X9906 | DURIT BOITE CUVE | 163 | 55X9928 | THERMOPLONGEUR 1850W |
| 143 | 55X9907 | COLLIER FIXATION | 164 | 55X9996 | SONDE DE TEMPERATURE 96°/-24°C |
| 144 | 52X1120 | DURIT CUVE/POMPE | 164 | 52X1684 | SONDE DE TEMPERATURE 96°C/50°C |
| 145 | 32X2912 | COUDE | 165 | 57X1832 | VIS |
| | | | 168 | 52X3572 | POMPE DE VIDANGE |
| | | | 274 | 52X3871 | FILTRE |

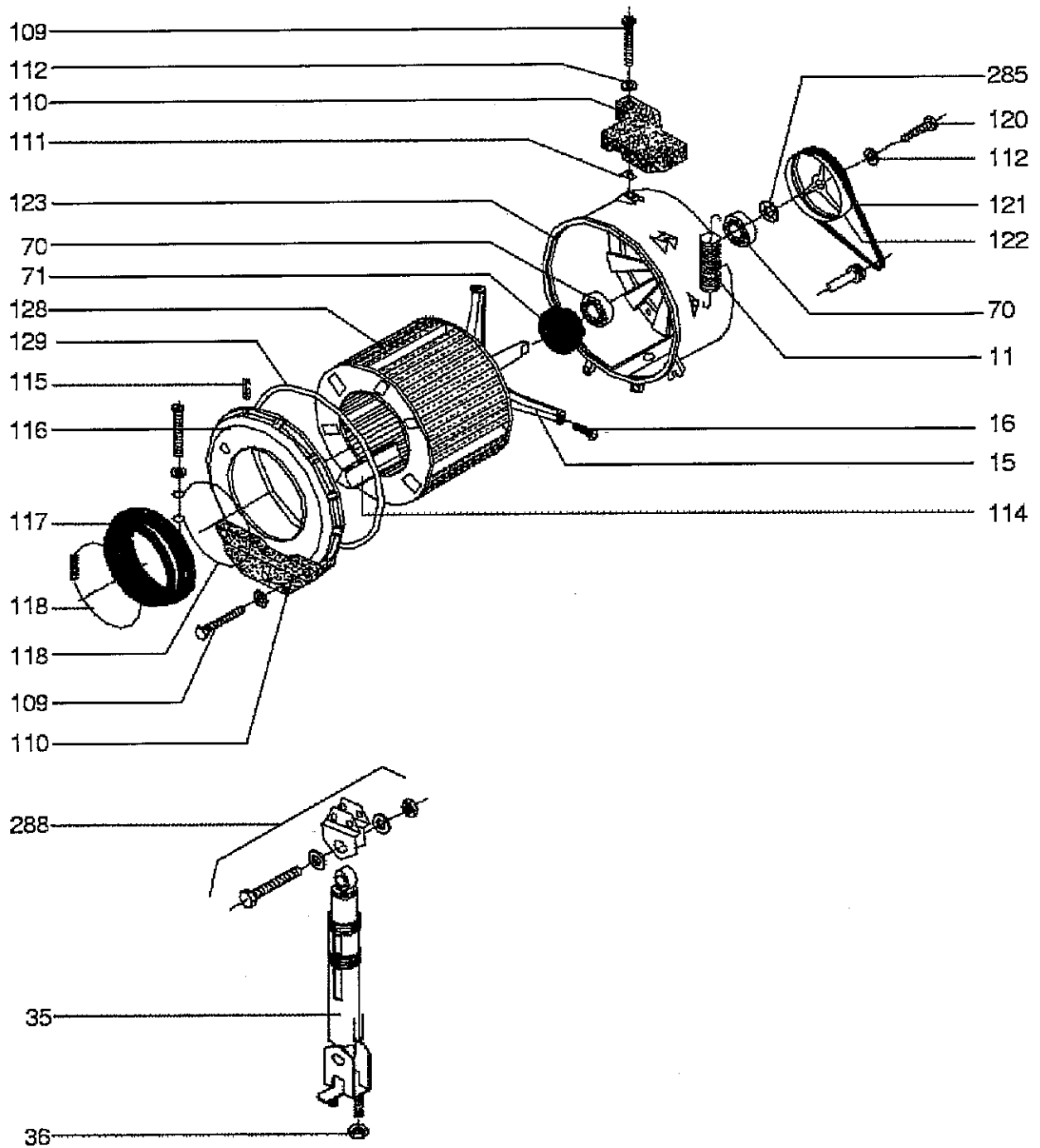
FAGOR  BRANDT

5DL0040

Brandt Customer Services

12/2006

6/8



DLZ614JE1
905580035

De Dietrich 



| REP. | REF. SAV | DESIGNATION | REP. | REF. SAV | DESIGNATION |
|------|----------|------------------------------|------|----------|--------------------------------|
| 11 | 55X9941 | RESSORT SUSPENSION | 112 | 57X1833 | RONDELLE |
| 15 | 52X3886 | CROISILLON | 114 | 52X1298 | OMEGA |
| 16 | 55X9969 | VIS FIX.CROISILLON TORX 8X39 | 115 | 55X9953 | CLIPS = X1 |
| 35 | 52X0093 | AMORTISSEUR 120 | 116 | 52X1311 | COUVERCLE DE CUVE |
| 36 | 52X1296 | ECROU | 117 | 52X1659 | JOINT HUBLLOT |
| 70 | 57X1821 | ROULEMENT 6206-45L | 118 | 55X9946 | COLLIER FIXATION |
| 71 | 52X0041 | BAGUE D'TANCHEITE | 118 | 52X3048 | COLLIER FIXATION JOINT HUBLLOT |
| 109 | 52X0210 | VIS FIX.LEST | 120 | 55X9954 | ECROU |
| 109 | 55X9970 | VIS LEST SUPERIEUR | 121 | 52X0032 | COURROIE 1184J5 |
| 110 | 55X9936 | LEST FRONTAL | 122 | 52X0037 | POULIE TAMBOUR |
| 110 | 52X1297 | LEST SUPERIEUR 45L 16Kg | 123 | 52X0044 | CUVE PLASTIQUE 45L |
| 111 | 55X9939 | PLAQUE DE FIXATION | 128 | 52X1299 | TAMBOUR |
| | | | 129 | 55X9987 | JOINT FLANC DE CUVE |
| | | | 285 | 52X0864 | RONDELLE 45L |
| | | | 288 | 52X1300 | ETRIER |