

SECTION 6 REPAIR PARTS LIST

6-1. EXPLODED VIEWS

NOTE:

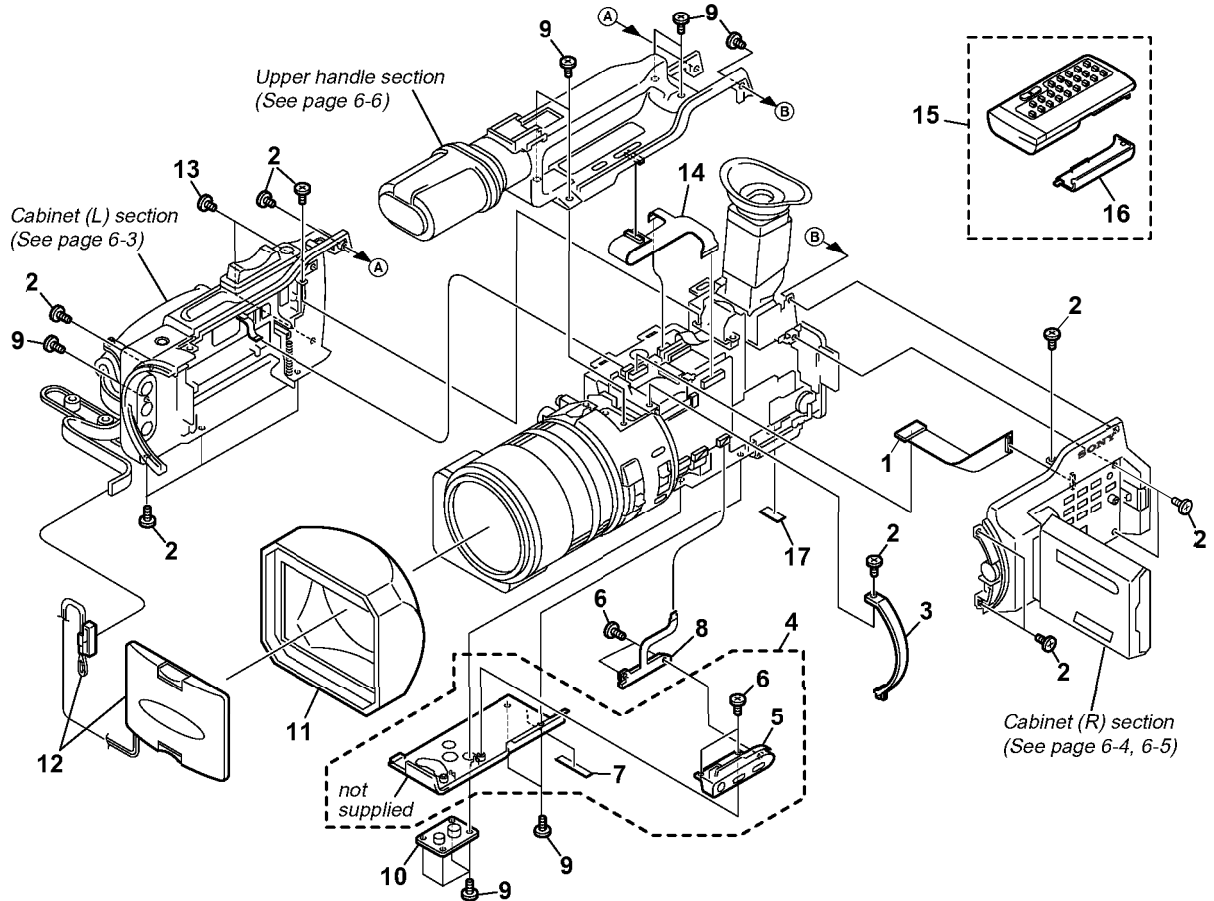
- -XX, -X mean standardized parts, so they may have some differences from the original one.
- Items marked “*” are not stocked since they are seldom required for routine service. Some delay should be anticipated when ordering these items.
- The mechanical parts with no reference number in the exploded views are not supplied.

- Abbreviation
- AUS: Australian model
- JE: Tourist model
- CND: Canadian model
- CN: Chinese model
- HK: Hong Kong model

The components identified by mark Δ or dotted line with mark Δ are critical for safety. Replace only with part number specified.

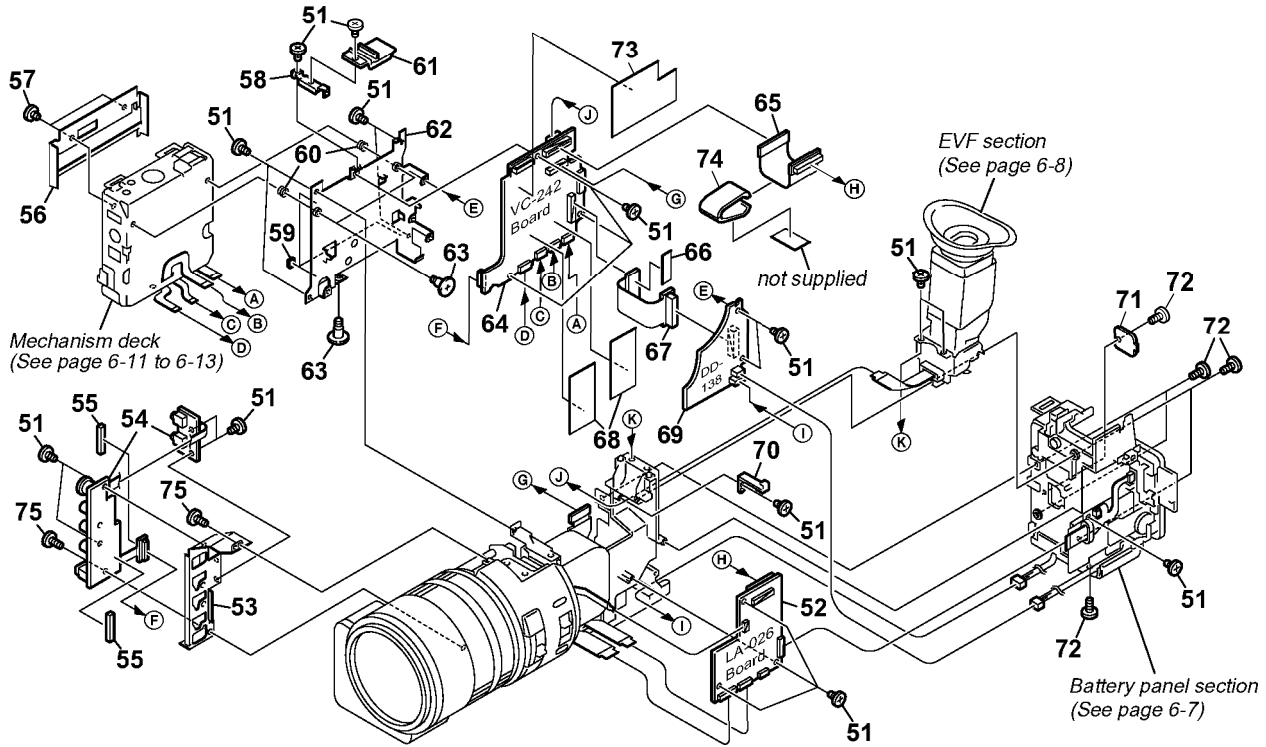
Les composants identifiés par une marque Δ sont critiques pour la sécurité. Ne les remplacer que par une pièce portant le numéro spécifié.

6-1-1. OVERALL SECTION-1



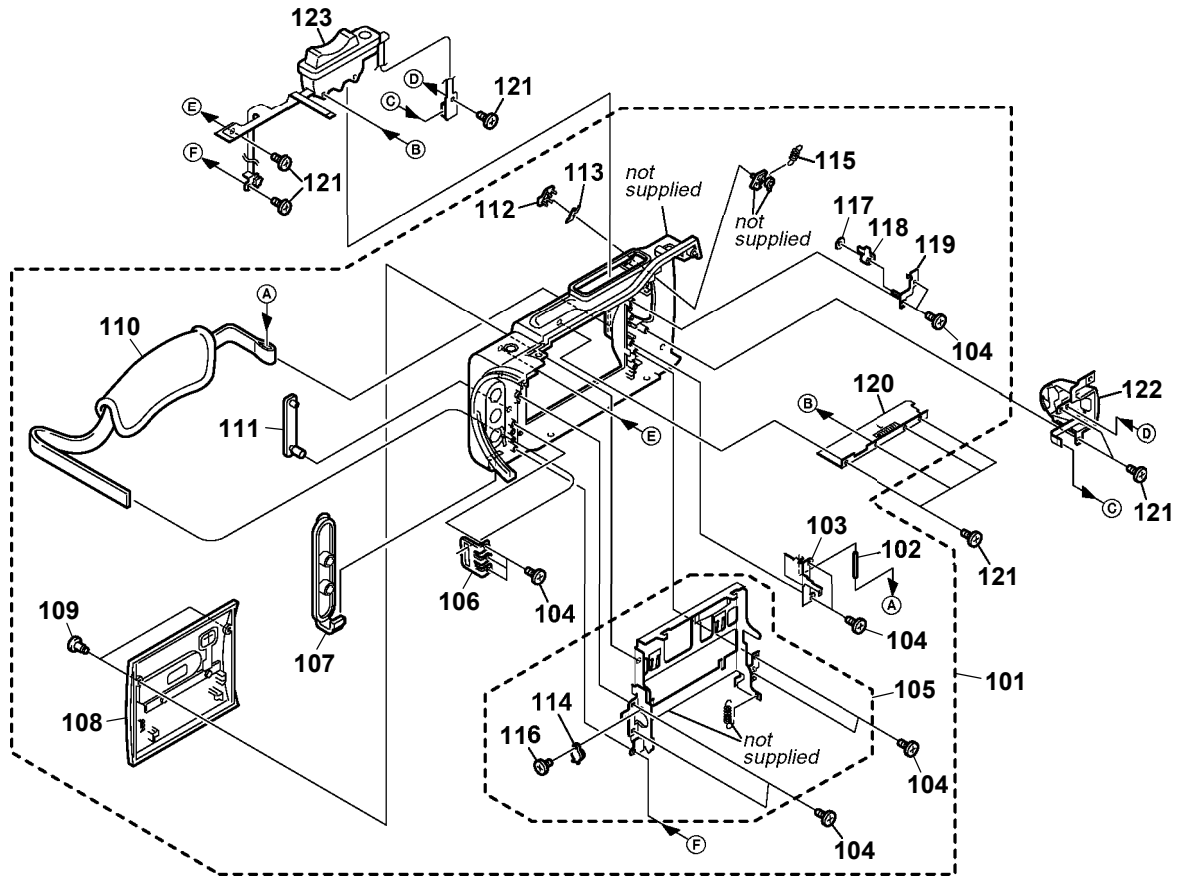
Ref. No.	Part No.	Description	Remarks	Ref. No.	Part No.	Description	Remarks
1	1-678-055-21	FP-187 FLEXIBLE BOARD		10	3-963-940-02	TABLE, TRIPOD	
2	3-053-121-21	BOLT(M2), SPRING		11	X-3950-590-1	HOOD ASSY, LENS	
3	3-060-683-01	PLATE, CF ORNAMENTAL		12	X-3950-568-1	CAP ASSY, HOOD	
4	X-3950-595-1	BOTTOM (D) ASSY, CABINET		13	3-053-121-31	BOLT(M2), SPRING	
5	X-3950-728-1	COVER ASSY, FBS (SERVICE)		14	1-678-067-21	FP-200 FLEXIBLE BOARD	
6	3-948-339-61	TAPPING		15	1-475-950-21	REMOTE COMMANDER (RMT-811)	
7	3-062-455-01	FOOT(B), RUBBER		16	3-053-056-01	LID, BATTERY CASE (FOR RMT-811)	
8	1-678-057-21	FP-189 FLEXIBLE BOARD		* 17	3-704-367-01	LABEL (VX2000:US,CND)	
9	3-053-121-41	BOLT(M2), SPRING					

6-1-2. OVERALL SECTION-2



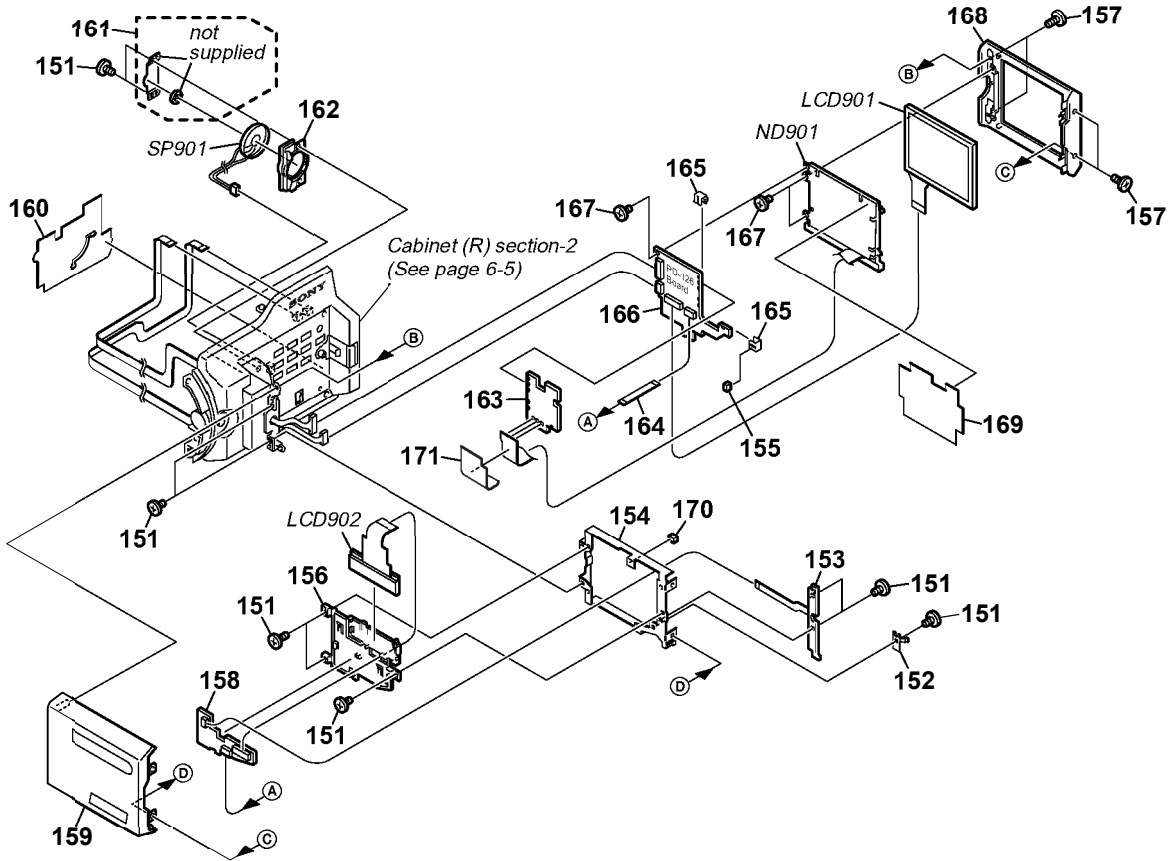
Ref. No.	Part No.	Description	Remarks	Ref. No.	Part No.	Description	Remarks
51	3-053-121-11	BOLT(M2), SPRING		64	A-7096-157-A	VC-242 BOARD, COMPLETE (SERVICE)	
52	A-7074-401-A	LA-026 BOARD, COMPLETE		65	1-678-054-21	FP-186 FLEXIBLE BOARD	
53	3-060-682-01	FRAME, JK		66	3-061-053-01	SHEET, FP191	
54	A-7074-402-A	JK-190 BOARD, COMPLETE		67	1-678-059-21	FP-191 FLEXIBLE BOARD	
* 55	3-053-354-01	CUSHION, CD FLEXIBLE		68	3-061-516-01	SHEET, RF FLEXIBLE	
56	3-060-673-01	LID, LD OUTER		69	A-7074-405-A	DD-138 BOARD, COMPLETE	
57	3-056-233-11	SCREW (M2), LOCK ACE, P2		70	3-060-787-01	CLAMP, FLEXIBLE	
58	3-060-684-01	JOINT, LA		71	3-060-677-01	COVER, CPC	
59	3-975-921-01	SHEET, VIBRATION PROOF		72	3-053-121-41	BOLT(M2), SPRING	
60	3-061-679-01	SPRING, MD GROUND		* 73	3-062-779-01	SHEET (VC)	
61	3-060-789-01	RETAINER, FLEXIBLE		74	1-469-830-11	FILTER, EMI (VX2000)	
62	X-3950-571-1	FRAME ASSY, MD		75	3-053-121-21	BOLT(M2), SPRING	
63	3-988-464-01	SCREW (M2), STEP					

6-1-3. CABINET (L) SECTION



Ref. No.	Part No.	Description	Remarks	Ref. No.	Part No.	Description	Remarks
101	X-3950-678-1	CABINET (L) ASSY (VX2000)		112	3-060-551-01	KNOB, EJECT	
101	X-3950-688-1	CABINET (L) ASSY (VX2000E)		113	3-060-549-01	SHEET, EJECT	
102	3-703-357-08	PIN(DIA. 1.6 SERISE)		114	4-634-290-11	DAMPER	
103	3-060-550-01	BRACKET (REAR), GRIP		115	3-060-554-01	SPRING, TENSION	
104	3-948-339-01	SCREW, TAPPING		116	3-968-729-81	SCREW (M2), LOCK ACE, P2	
105	X-3950-561-1	CS ASSY		117	3-669-465-01	WASHER (1.5), STOPPER	
106	3-051-871-01	BRACKET (FRONT), BELT		118	3-060-553-01	LEVER, EJECT	
107	3-060-540-01	COVER (AV), JACK		119	X-3950-585-1	SHEET METAL ASSY, EJECT	
108	X-3950-679-1	LID ASSY, CASSETTE		120	X-3950-562-1	SLIDER ASSY	
109	3-060-790-01	SCREW (M2 STEP)		121	3-948-339-61	TAPPING	
110	3-060-548-01	BELT, GRIP		122	1-476-075-21	SWITCH BLOCK, CONTROL (PS-4980)	
111	3-060-541-01	COVER (L), JACK		123	1-476-025-21	SWITCH BLOCK, CONTROL (CF-4980)	

6-1-4. CABINET (R) SECTION-1

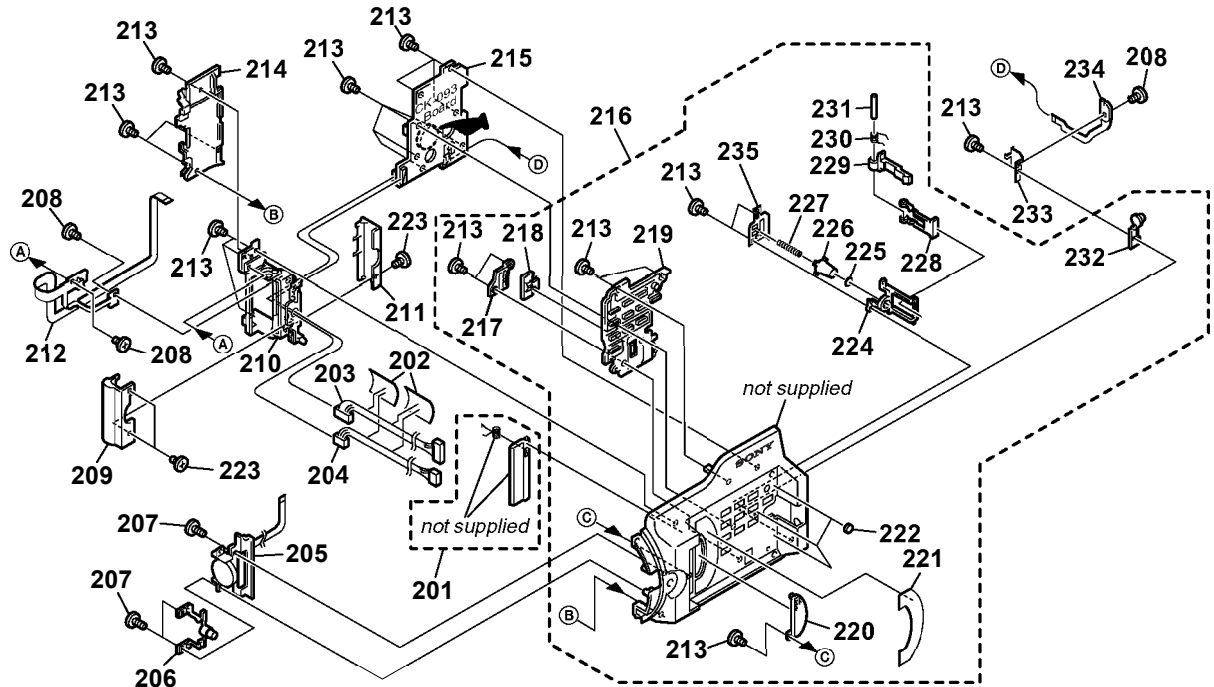


Ref. No.	Part No.	Description	Remarks	Ref. No.	Part No.	Description	Remarks
151	3-053-121-11	BOLT (M2), SPRING		△ 163	1-418-876-11	TRANSFORMER UNIT, INVERTER	
* 152	3-060-698-01	RETAINER, BL		164	1-678-062-11	FP-195 FLEXIBLE BOARD	
153	1-678-063-21	FP-196 FLEXIBLE BOARD		* 165	3-051-232-01	CLIP, PCB	
* 154	3-060-688-01	FRAME, LCD		166	A-7096-158-A	PD-126 BOARD, COMPLETE (SERVICE)	
155	3-061-509-01	PAD(RIGHT), PD		167	3-989-735-11	SCREW (M1.7), LOCK ACE, P2	
* 156	3-060-687-01	HOLDER, PANEL		168	X-3950-597-1	CABINET (M) ASSY, P	
157	3-053-121-41	BOLT (M2), SPRING		169	3-060-704-01	SHEET (N), BL SHIELD	
158	A-7074-414-A	HL-011 BOARD, COMPLETE		170	3-061-510-01	PAD(UPPER), PD	
159	X-3950-683-1	CABINET (C) ASSY, P (VX2000/VX2000E:E,HK,AUS,CN,JE)		* 171	3-062-196-01	SHEET, BL INSULATING	
159	X-3950-689-1	CABINET (C) ASSY, P (VX2000E:AEP,UK)		LCD901	8-753-050-52	ACX300CK-J	
160	3-060-796-01	SHEET, R FLEXIBLE PROTECTION		LCD902	A-7096-156-A	PANEL BLOCK ASSY, INDICATION	
* 161	X-3950-577-1	PLATE ASSY, SP RETAINER		△ ND901	1-517-931-11	TUBE, FLUORESCENT,COLD CATHODE	
* 162	3-060-686-01	HOLDER, SPEAKER		SP901	1-529-590-11	SPEAKER (2.0CM)	

Note :
The components identified by mark △ or dotted line with mark △ are critical for safety. Replace only with part number specified.

Note :
Les composants identifiés par une marque △ sont critiques pour la sécurité. Ne les remplacer que par une pièce portant le numéro spécifié.

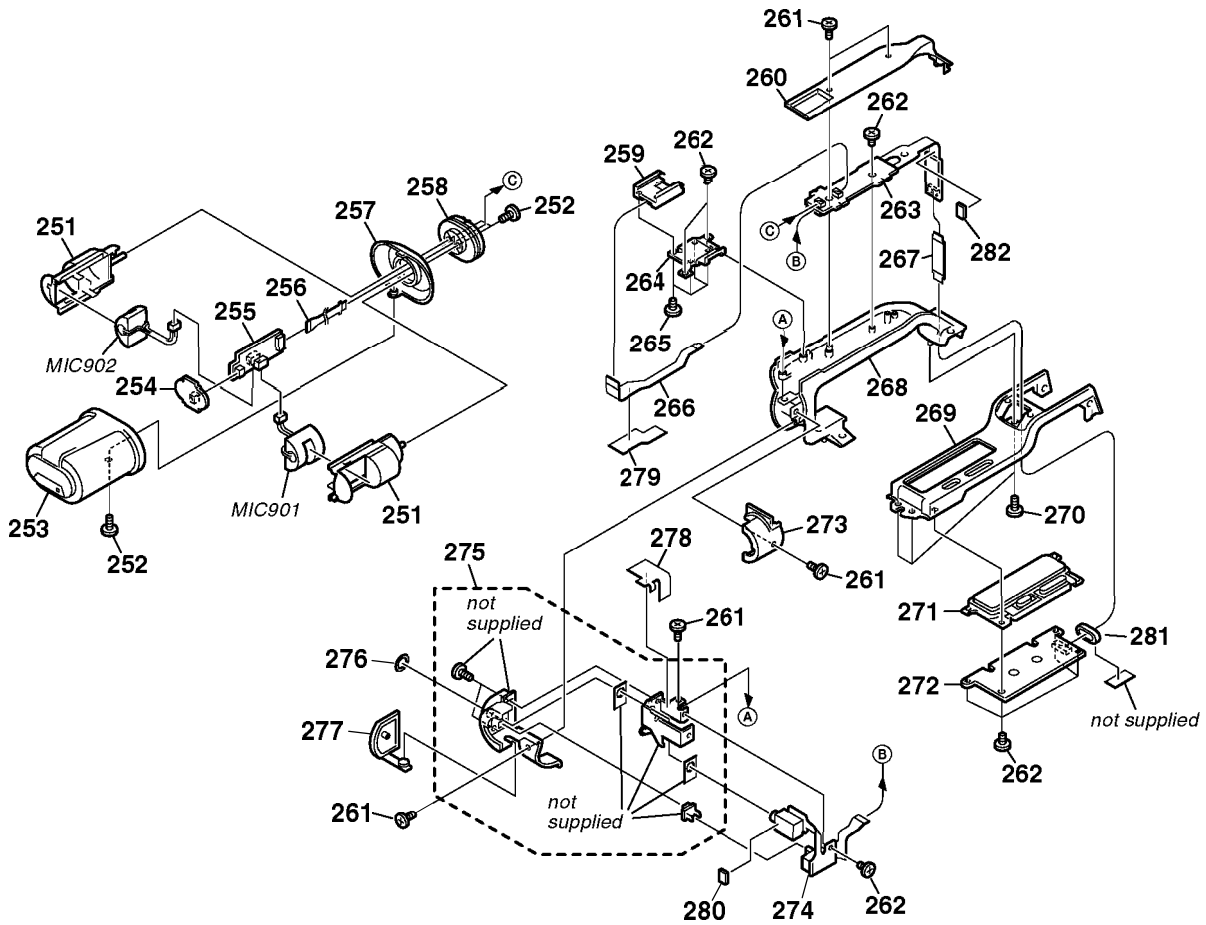
6-1-5. CABINET (R) SECTION-2



 : BT250 (Lithium battery) CK board on the mount position. (See page 4-59)

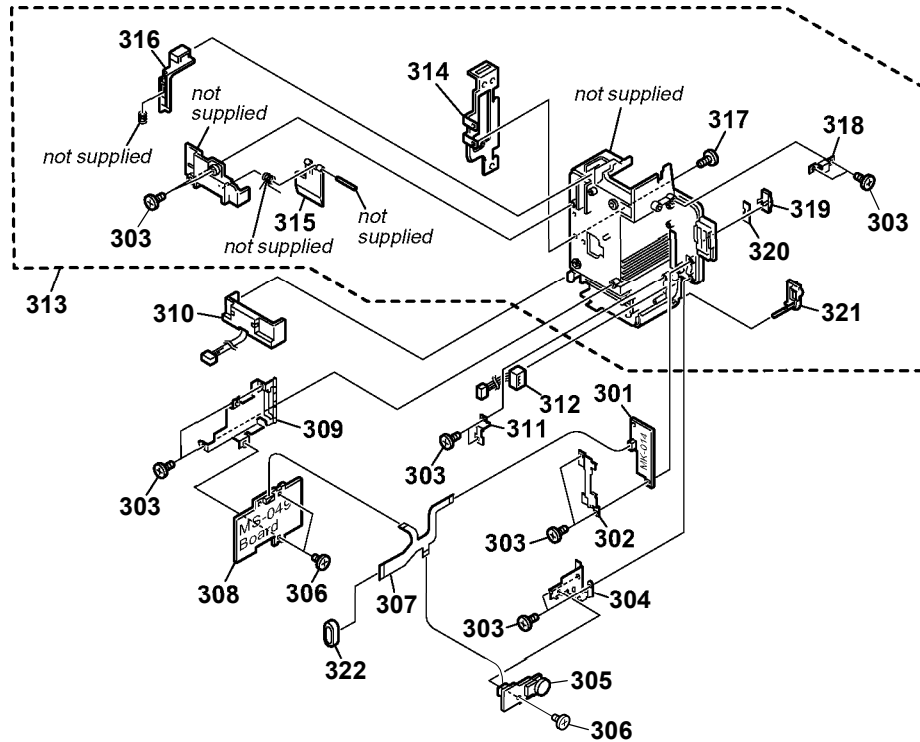
Ref. No.	Part No.	Description	Remarks	Ref. No.	Part No.	Description	Remarks
201	X-3950-599-1	DOOR (D) ASSY, BLIND		219	3-060-636-01	BUTTON, R	
202	3-060-795-01	TAPE, HARNESS FIXED		220	3-060-637-01	GRILLE, SPEAKER	
203	1-960-558-11	HARNESS (CP-094) 14P		221	3-060-639-01	SHEET, PROTECTION	
204	1-960-557-11	HARNESS (CP-093) 8P		222	3-052-521-01	CUSHION (2), PANEL	
205	1-476-183-11	SWITCH BLOCK, CONTROL (ED-4980)		223	3-989-735-01	SCREW (M1.7), LOCK ACE, P2	
206	3-060-689-01	BUTTON, BRIGHT		224	3-060-630-01	BASE, PANEL LOCK	
207	3-053-121-21	BOLT (M2), SPRING		225	3-060-641-01	PAD, PANEL (POP) UP	
208	3-989-735-11	SCREW (M1.7), LOCK ACE, P2		226	3-060-632-01	UP, PANEL (POP)	
209	3-060-693-01	COVER (FRONT), HINGE		227	3-060-633-01	SPRING, COMPRESSION	
210	X-3950-576-1	HINGE ASSY		228	3-060-638-01	KNOB, PANEL LOCK	
211	3-060-694-11	COVER (REAR), HINGE		229	3-060-643-01	CLAW, PANEL LOCK	
212	1-678-064-21	FP-197 FLEXIBLE BOARD		230	3-060-634-01	SPRING, PANEL LOCK	
213	3-053-121-11	BOLT (M2), SPRING		231	3-060-635-01	SHAFT, PANEL LOCK	
* 214	3-060-690-01	LID, HINGE		232	3-060-642-01	BUTTON, MENU	
215	A-7074-403-A	CK-093 BOARD, COMPLETE		* 233	3-060-691-01	BRACKET, MENU BUTTON	
216	X-3950-682-1	CABINET (R) ASSY		234	1-678-061-21	FP-194 FLEXIBLE BOARD	
* 217	3-060-640-01	COVER, ZEBRA KNOB		* 235	3-060-631-01	BRACKET, PANEL LOCK	
218	3-060-644-01	KNOB, ZEBRA					

6-1-6. UPPER HANDLE SECTION



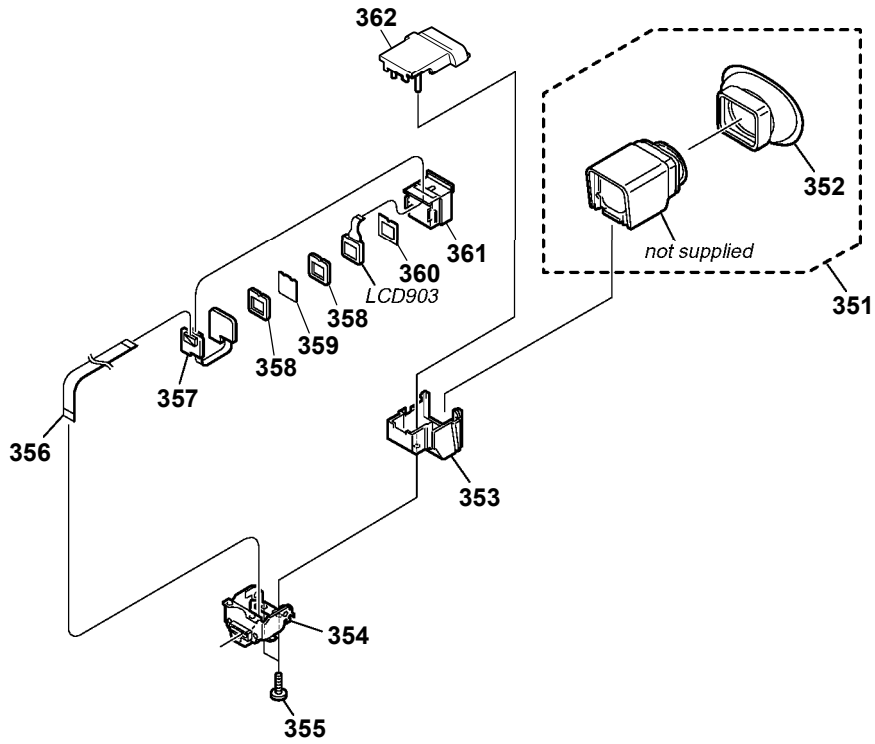
Ref. No.	Part No.	Description	Remarks	Ref. No.	Part No.	Description	Remarks
251	3-963-968-01	CASE, MICROPHONE		268	X-3950-685-1	HANDLE ASSY	
252	3-948-339-01	SCREW, TAPPING		269	3-060-786-11	CABINET (UPPER)	
253	X-3950-579-1	MASK ASSY, MICROPHONE		270	3-053-121-21	BOLT (M2), SPRING	
254	A-7074-413-A	FT-090 BOARD, COMPLETE		271	X-3950-600-1	FRAME (D) ASSY, FK	
255	A-7074-411-A	MI-038 BOARD, COMPLETE		272	A-7074-412-A	FK-076 BOARD, COMPLETE	
256	1-678-066-11	FP-199 FLEXIBLE BOARD		273	3-060-708-01	CABINET (L), MICROPHONE	
257	3-060-706-02	COVER, MICROPHONE		274	1-678-065-21	FP-198 FLEXIBLE BOARD	
258	X-3945-076-1	NECK ASSY, RUBBER		275	X-3950-684-1	CABINET (R) ASSY, MICROPHONE	
259	1-785-594-11	CONNECTOR (HOT SHOE), OUTER		276	3-061-234-01	NUT(M6X0.5)	
260	X-3950-582-1	COVER ASSY, HANDLE		277	3-060-707-01	COVER, MJ	
261	3-053-121-41	BOLT (M2), SPRING		* 278	3-061-544-01	SHEET, MICROPHONE	
262	3-053-121-11	BOLT (M2), SPRING		* 279	3-061-626-01	SHEET, MA SHIELD	
263	A-7074-410-A	MA-386 BOARD, COMPLETE		* 280	3-061-511-01	SPACER, MICROPHONE	
264	3-060-709-01	SHEET METAL (F), STRAP		281	1-469-829-11	CORE, FERRITE (VX2000)	
265	3-989-735-11	SCREW (M1.7), LOCK ACE, P2		* 282	3-062-543-01	CUSHION, MA FLEXIBLE	
266	1-678-068-11	FP-201 FLEXIBLE BOARD		MIC901	1-542-263-11	MICROPHONE UNIT	
267	1-678-049-11	FP-202 FLEXIBLE BOARD		MIC902	1-542-263-11	MICROPHONE UNIT	

6-1-7. BATTERY PANEL SECTION



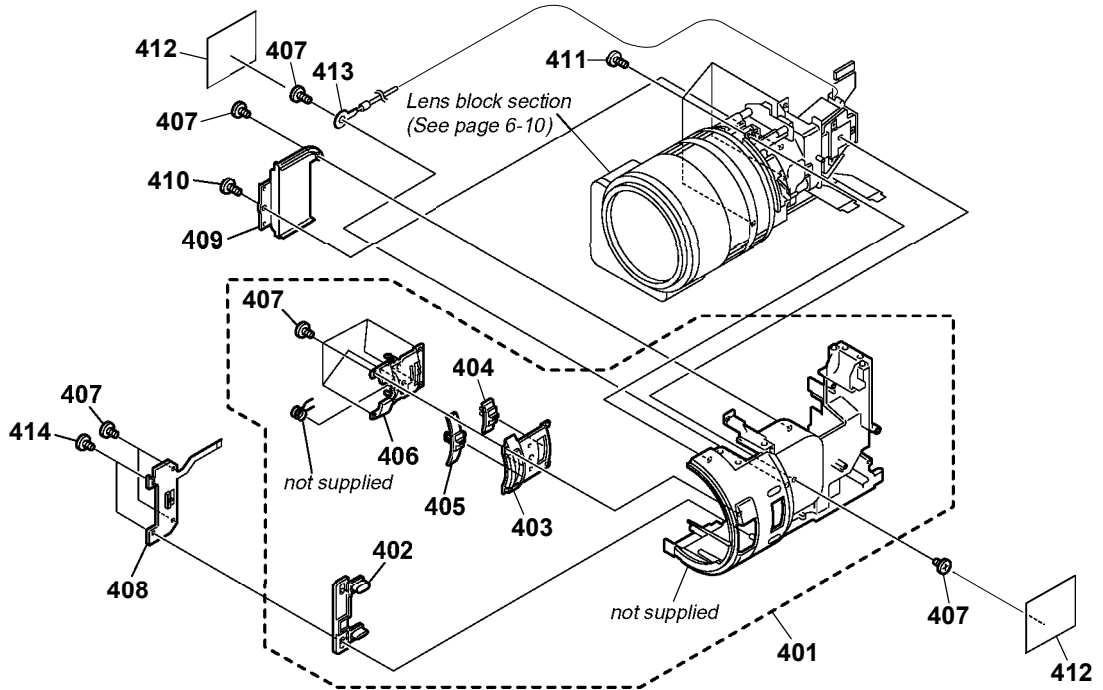
Ref. No.	Part No.	Description	Remarks	Ref. No.	Part No.	Description	Remarks
	301	A-7074-408-A	MK-014 BOARD, COMPLETE		312	1-794-637-11	CONNECTOR, DC-IN
*	302	3-060-678-01	RETAINER, MK		313	X-3950-680-1	PANEL ASSY, BATTERY
	303	3-948-339-61	TAPPING		314	3-060-592-01	BRACKET (R), S BELT
*	304	3-060-679-01	HOLDER, KP		315	3-060-595-01	CLAW, BT LOCK
	305	A-7074-406-A	KP-010 BOARD, COMPLETE		316	3-060-594-01	LEVER, BT RELEASE
	306	3-053-121-11	BOLT (M2), SPRING		317	3-053-121-41	BOLT (M2), SPRING
	307	1-678-058-11	FP-190 FLEXIBLE BOARD		* 318	3-060-774-01	JOINT, BT-R
	308	A-7074-407-A	MS-049 BOARD, COMPLETE		319	3-060-598-01	BUTTON, AL
	309	X-3950-589-1	HOLDER ASSY, MS		320	3-060-776-01	SHEET, AL
	310	1-694-411-11	TERMINAL BOARD, BATTERY		321	3-060-773-01	COVER, DC JACK
*	311	3-060-680-01	RETAINER, DC JACK		322	1-469-829-11	CORE, FERRITE (VX2000)

6-1-8. EVF SECTION



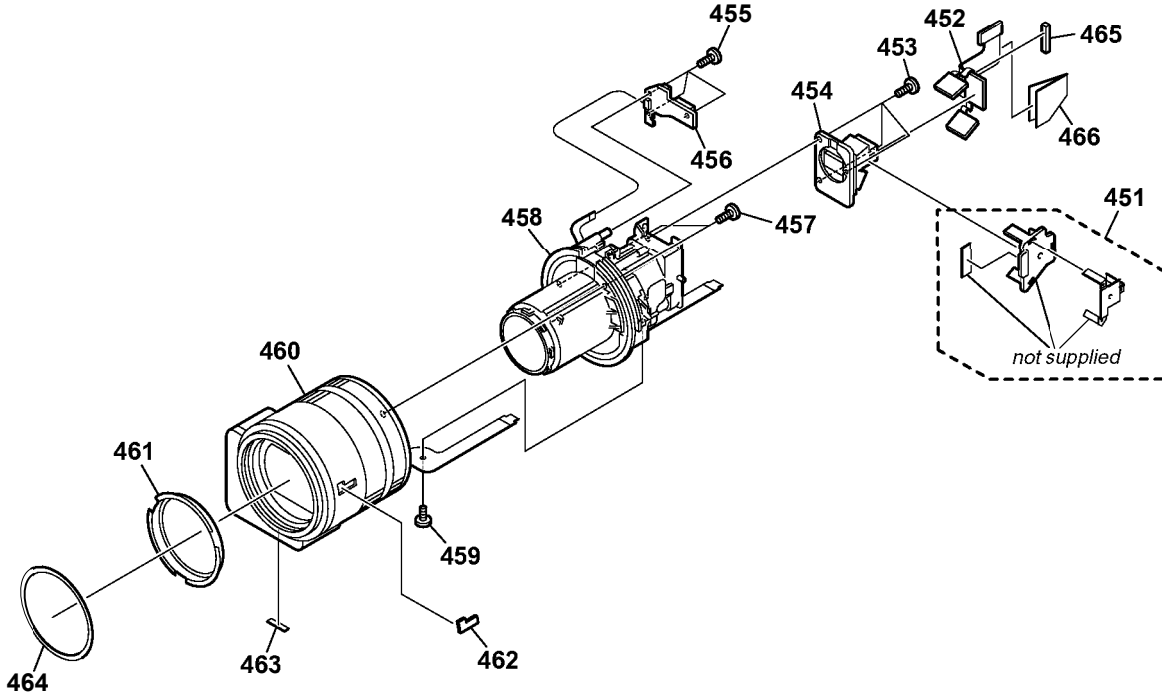
Ref. No.	Part No.	Description	Remarks	Ref. No.	Part No.	Description	Remarks
351	X-3950-563-1	CABINET ASSY, EVF REAR		358	3-060-702-01	CUSHION (498), LCD	
352	3-060-573-01	CUP, EYE		359	3-060-701-01	ILLUMINATOR (498)	
353	X-3950-564-1	CABINET (LOWER) ASSY, EVF FRONT		360	3-060-788-01	SHEET, LIGHT INTERCEPTION	
354	X-3950-565-1	HINGE ASSY, VF		361	X-3950-584-1	HOLDER ASSY, LCD	
355	3-713-791-21	SCREW (M1.7X8), TAPPING, P2		362	3-060-674-01	CABINET (UPPER), EVF FRONT	
356	1-678-060-11	FP-193 FLEXIBLE BOARD		LCD903	8-753-026-77	LCX033AK-J	
357	A-7074-409-A	LB-065 BOARD, COMPLETE					

6-1-9. CENTER FRAME SECTION



Ref. No.	Part No.	Description	Remarks	Ref. No.	Part No.	Description	Remarks
401	X-3950-681-1	FRAME ASSY, CENTER		408	1-678-056-21	FP-188 FLEXIBLE BOARD	
402	3-060-620-01	BUTTON, IP		409	3-060-685-01	COVER, CCD	
403	3-060-621-01	ESCUTCHEON		410	3-948-339-61	TAPPING	
404	3-060-622-01	KNOB, MF		411	3-053-121-21	BOLT (M2), SPRING	
405	3-060-619-01	KNOB, ND		412	3-060-795-01	TAPE, HARNESS FIXED	
406	3-060-623-01	COVER, BUTTON		413	1-960-654-11	HARNESS, CJ-064	
407	3-053-121-11	BOLT (M2), SPRING		414	3-968-729-91	SCREW(M2), LOCK ACE, P2	

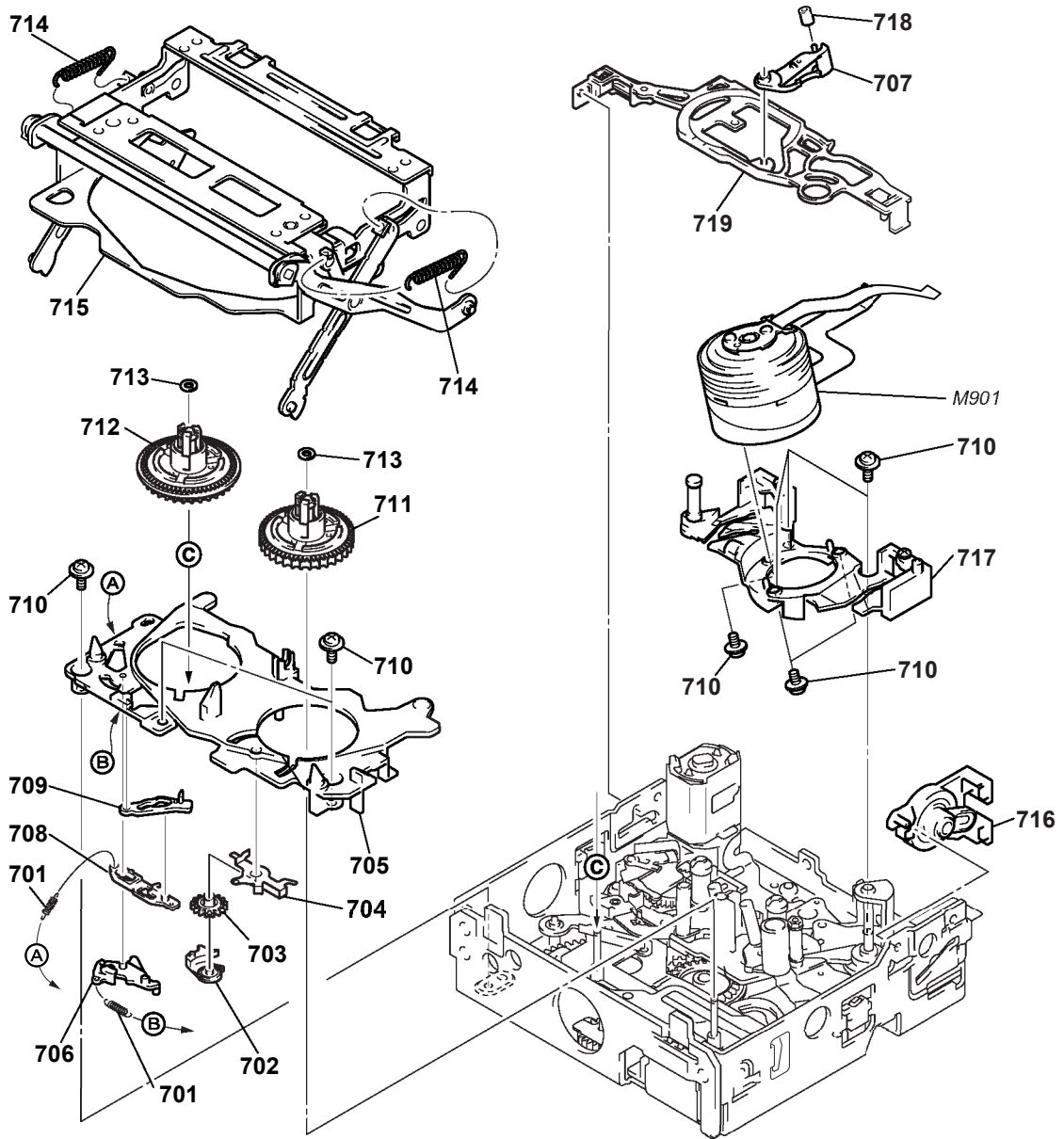
6-1-10. LENS BLOCK SECTION



Be sure to read "Precautions upon replacing CCD imager" on page 4-9 when changing the CCD imager.

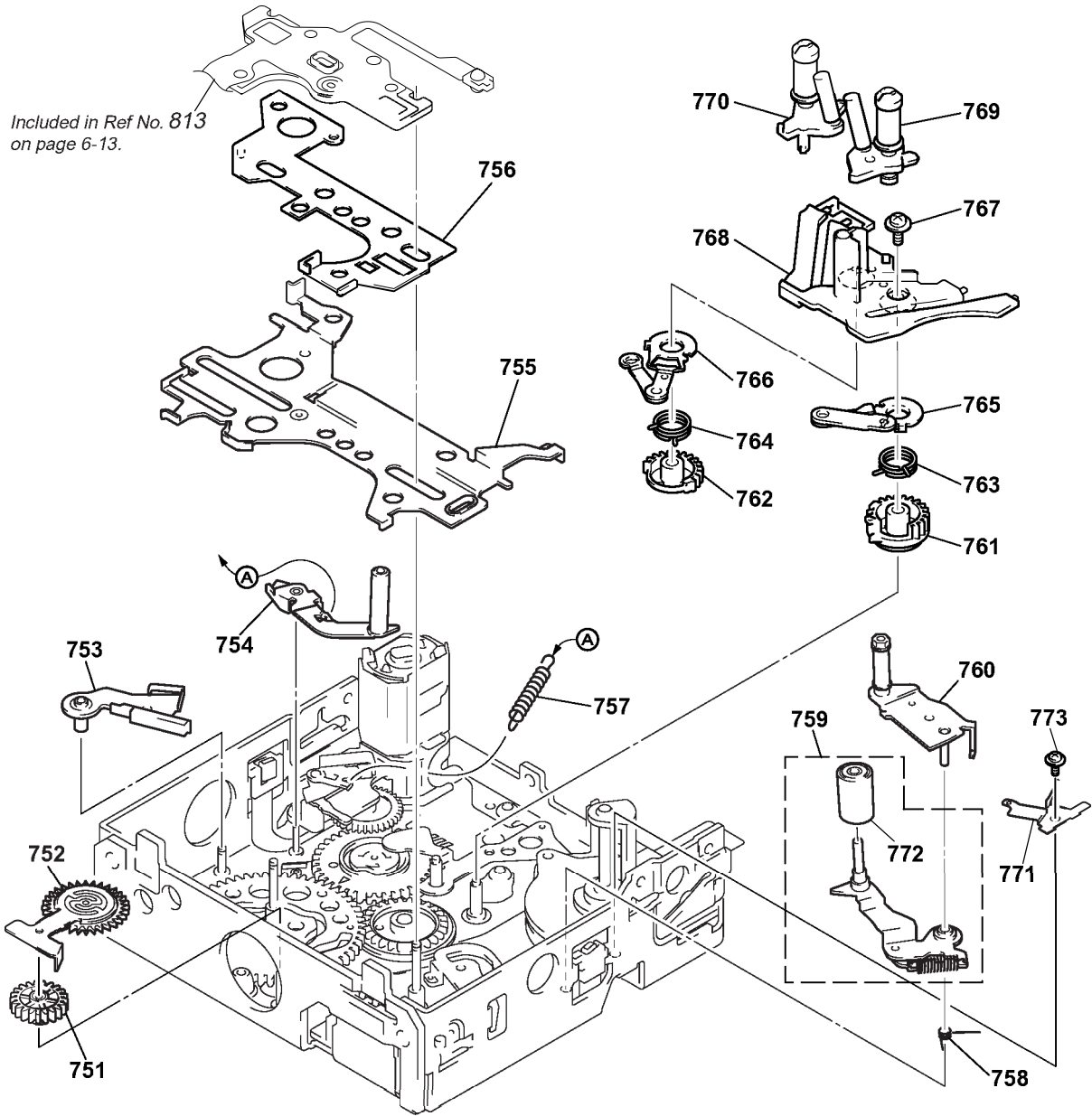
Ref. No.	Part No.	Description	Remarks	Ref. No.	Part No.	Description	Remarks
451	X-3950-586-1	COVER ASSY, PRISM		458	3-709-596-01	LENS ASSY, ZOOM	
452	A-7074-398-A	CD-254 BOARD, COMPLETE		459	3-713-791-91	SCREW (M1.7)	
453	3-713-791-61	SCREW (M1.7X7), TAPPING, P2		460	3-709-595-01	VAP ASSY (B114A)	
454	A-7031-100-A	PRISM ASSY (SERVICE) (INCLUDING 3CCD)		461	3-709-594-01	RING ASSY, ORNAMENTAL	
			(VX2000)	462	3-963-933-01	EMBLEM, CCD	
454	A-7031-101-A	PRISM ASSY (SERVICE) (INCLUDING 3CCD)		463	3-062-454-01	FOOT (A), RUBBER	
			(VX2000E)	464	3-060-681-01	RING, NAME	
455	3-948-339-61	TAPPING		* 465	3-053-354-01	CUSHION, CD FLEXIBLE	
456	A-7074-399-A	SE-108 BOARD, COMPLETE		* 466	3-062-778-01	SHEET (CD)	
457	3-948-339-31	SCREW, TAPPING P2					

6-1-11. CASSETTE COMPARTMENT, DRUM AND REEL TABLE ASSEMBLY



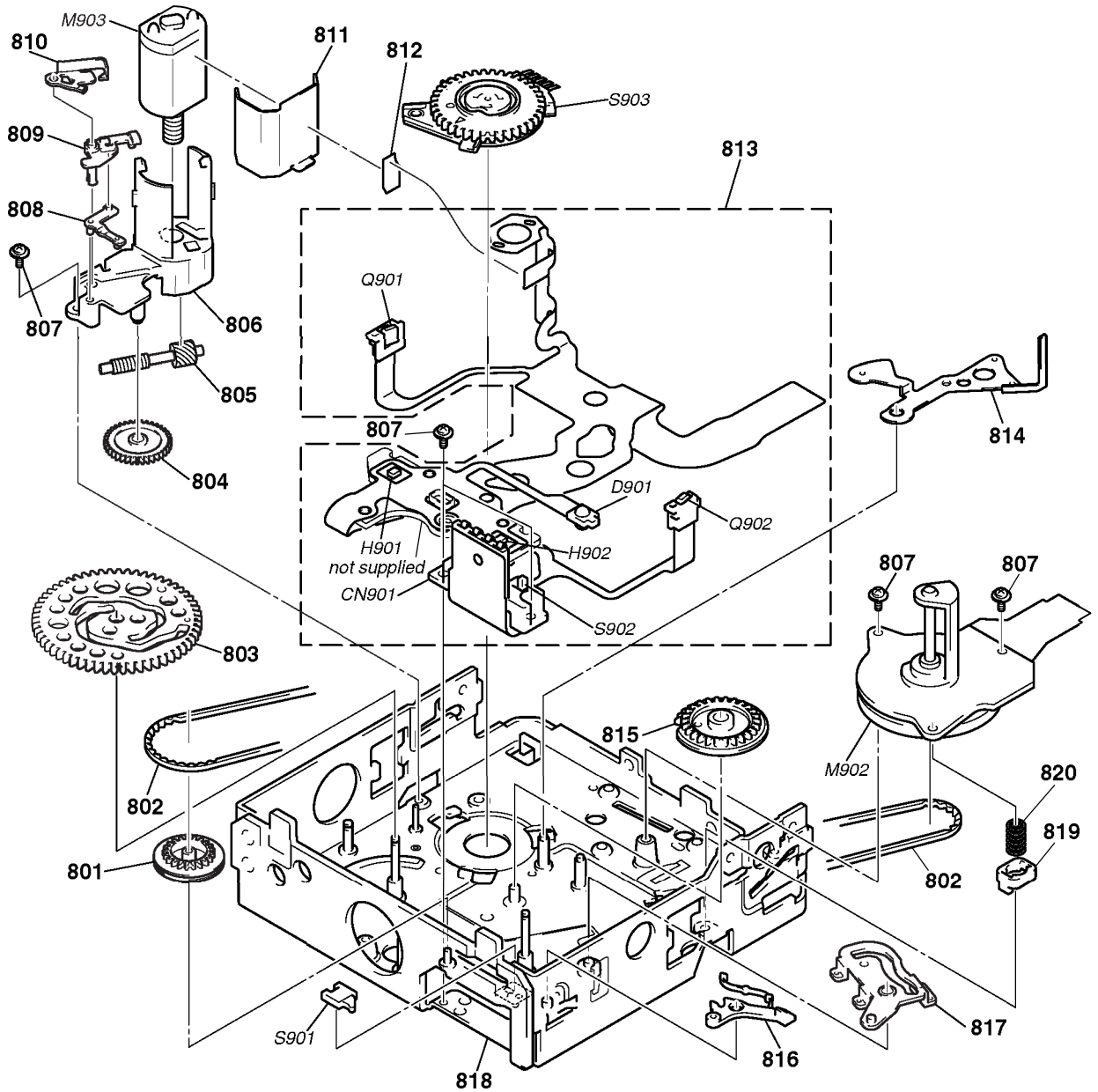
Ref. No.	Part No.	Description	Remarks	Ref. No.	Part No.	Description	Remarks
701	3-988-312-01	SPRING, EXTENSION		711	X-3948-445-1	TABLE (T) ASSY, REEL	
702	3-988-220-01	BRAKE (T)		712	X-3948-444-1	TABLE (S) ASSY, REEL	
703	3-988-221-01	GEAR (T), BRAKE		713	3-989-465-01	WASHER, STOPPER	
704	3-988-222-01	SPRING (T), BRAKE		714	3-988-298-01	SPRING EXTENSION	
705	3-988-215-02	BASE, CASSETTE		715	X-3948-441-9	CASSETTE COMPARTMENT ASSY	
706	3-988-217-01	ARM(S), RESET		716	X-3948-443-2	DAMPER ASSY	
707	3-988-281-02	ARM, HC		717	A-7093-612-A	DRUM BASE BLOCK ASSY	
708	3-988-219-01	RACK (S), BRAKE		718	3-988-282-01	ROLLER, HC	
709	3-988-218-01	BRAKE (S)		719	3-988-283-01	STOPPER, TAPE FALL	
710	3-947-503-01	SCREW (M1.4)		M901	A-4900-079-A	DRUM ASSY (DEH-11B/J-RP)	

6-1-12. TAPE GUIDE, PINCH SLIDER ASSEMBLY AND BRAKE SLIDER ASSEMBLY



Ref. No.	Part No.	Description	Remarks	Ref. No.	Part No.	Description	Remarks
751	3-988-263-01	GEAR, RELAY		763	3-988-258-01	SPRING (GLT), TORSION	
752	X-3948-442-2	GEAR ASSY, GOOSENECK		764	3-988-253-01	SPRING (GLS), TORSION	
753	X-3948-435-2	PLATE ASSY, TG1 ADJUSTMENT		765	X-3948-440-1	ARM(T) ASSY, GL	
754	X-3948-434-1	ARM ASSY, TG1		766	X-3948-439-2	ARM(S) ASSY, GL	
755	X-3948-428-2	SLIDER ASSY, PINCH		767	3-947-503-01	SCREW (M1.4)	
756	X-3948-766-1	SLIDER ASSY, BRAKE		768	3-988-242-01	RAIL, GUIDE	
757	3-988-270-01	SPRING (TG1), TENSION COIL		769	X-3948-438-3	COASTER (T) ASSY	
758	3-988-233-01	SPRING (TG7LD), TORSION		770	X-3948-934-4	COASTER (S2) ASSY	
759	X-3948-433-2	ARM ASSY, PINCH		771	3-988-690-02	SPRING, TG7 RETAINER	
760	A-7093-501-A	ARM BLOCK ASSY, TG7		772	X-3748-630-2	ROLLER ASSY (DIA.5.6), PINCH	
761	3-988-257-01	GEAR (T), GL		773	3-053-083-01	SCREW	
762	3-988-252-02	GEAR (S), GL					

6-1-13. EACH GEARS AND LOADING/CAPSTAN MOTOR ASSEMBLY



Ref. No.	Part No.	Description	Remarks	Ref. No.	Part No.	Description	Remarks
801	3-988-274-01	PULLEY, CONVERSION		817	3-988-224-01	ARM, PINCH PRESS	
802	3-988-276-02	BELT, TIMING		818	X-3948-431-2	CHASSIS ASSY	
803	3-988-216-01	GEAR, CAM		819	3-050-170-01	HOLDER	
804	3-988-211-01	GEAR, DECELERATION		820	3-051-787-01	SPRING (CAP), COMPRESSION COIL	
805	3-988-210-01	SHAFT, WORM		CN901	1-784-723-11	PIN, CONNECTOR 4P	
806	3-988-207-01	HOLDER, MOTOR		D901	8-719-067-13	DIODE GL453K	
807	3-947-503-01	SCREW (M1.4)		H901	8-719-061-28	DIODE HW-105C-FT-V (S REEL)	
808	3-988-303-01	ARM, SPRING HOOK DRIVING		H902	8-719-061-28	DIODE HW-105C-FT-V (T REEL)	
809	3-988-271-01	BASE, SPRING HOOK FULCRUM		M902	8-835-606-01	MOTOR, DC SCD15A/C-NP (CAPSTAN)	
810	3-988-302-01	HOOK, TG1 SPRING		M903	X-3948-346-1	MOTOR ASSY, LOADING	
811	3-988-208-01	SHIELD, MOTOR		Q901	8-729-907-25	PHOTO TRANSISTOR PT4850F (TAPE END)	
812	1-657-785-11	FP-248 FLEXIBLE BOARD (DEW SENSOR)		Q902	8-729-907-25	PHOTO TRANSISTOR PT4850F (TAPE TOP)	
813	A-7073-418-A	FP-594 FLEXIBLE BOARD, COMPLETE		S901	1-771-039-51	SWITCH, PUSH (CASSETTE IN)	
814	3-988-280-03	ARM, HC DRIVING		S902	1-572-719-32	SWITCH, PUSH (1 KEY) (REC PROOF)	
815	3-988-239-01	GEAR, GL DRIVING		S903	1-771-325-11	ENCODER, ROTARY (SWITCH) (MODE)	
816	3-988-223-01	ARM, EJECT					

6-2. ELECTRICAL PARTS LIST

NOTE:

- Due to standardization, replacements in the parts list may be different from the parts specified in the diagrams or the components used on the set.
- -XX, -X mean standardized parts, so they may have some difference from the original one.
- Items marked "*" are not stocked since they are seldom required for routine service. Some delay should be anticipated when ordering these items.
- CAPACITORS:
uF: μF
- COILS
uH: μH

- RESISTORS
All resistors are in ohms.
METAL: metal-film resistor
METAL OXIDE: Metal Oxide-film resistor
F: nonflammable
- SEMICONDUCTORS
In each case, u: μ, for example:
uA...: μA..., uPA..., μPA...,
uPB..., μPB..., uPC..., μPC...,
uPD..., μPD...
- Abbreviation
AUS: Australian model
JE: Tourist model
CND: Canadian model

When indicating parts by reference number, please include the board name.

The components identified by mark Δ or dotted line with mark Δ are critical for safety. Replace only with part number specified.

Les composants identifiés par une marque Δ sont critiques pour la sécurité. Ne les remplacer que par une pièce portant le numéro spécifié.

- CN: Chinese model
- HK: Hong Kong model
- KR: Korea model

Ref. No.	Part No.	Description	Remarks
	A-7074-398-A	CD-254 BOARD, COMPLETE *****	(Ref.No.:1000Series) (IC100,101,102 are not included in this completed board)
		< CAPACITOR >	
C100	1-107-826-91	CERAMIC CHIP 0.1uF	10% 16V
C101	1-107-826-91	CERAMIC CHIP 0.1uF	10% 16V
C102	1-119-751-11	TANTAL. CHIP 22uF	20% 16V
C103	1-119-751-11	TANTAL. CHIP 22uF	20% 16V
C104	1-127-760-91	CERAMIC CHIP 4.7uF	10% 6.3V
C105	1-127-760-91	CERAMIC CHIP 4.7uF	10% 6.3V
C108	1-117-919-11	TANTAL. CHIP 10uF	20% 6.3V
C109	1-107-686-11	TANTAL. CHIP 4.7uF	20% 16V
C110	1-127-760-91	CERAMIC CHIP 4.7uF	10% 6.3V
C111	1-125-777-11	CERAMIC CHIP 0.1uF	10% 10V
C112	1-107-686-11	TANTAL. CHIP 4.7uF	20% 16V
C113	1-117-919-11	TANTAL. CHIP 10uF	20% 6.3V
C114	1-107-686-11	TANTAL. CHIP 4.7uF	20% 16V
C115	1-117-919-11	TANTAL. CHIP 10uF	20% 6.3V
C117	1-125-777-11	CERAMIC CHIP 0.1uF	10% 10V
C118	1-125-777-11	CERAMIC CHIP 0.1uF	10% 10V
C119	1-119-751-11	TANTAL. CHIP 22uF	20% 16V
C120	1-107-826-91	CERAMIC CHIP 0.1uF	10% 16V
C130	1-107-826-91	CERAMIC CHIP 0.1uF	10% 16V
C131	1-162-966-11	CERAMIC CHIP 0.0022uF	10% 50V
C132	1-107-826-91	CERAMIC CHIP 0.1uF	10% 16V
C133	1-162-966-11	CERAMIC CHIP 0.0022uF	10% 50V
C134	1-162-966-11	CERAMIC CHIP 0.0022uF	10% 50V
C135	1-107-826-91	CERAMIC CHIP 0.1uF	10% 16V
		< CONNECTOR >	
CN100	1-778-078-21	CONNECTOR, BOARD TO BOARD 50P	
		< IC >	
IC103	8-759-561-46	IC AD8014ART-REEL7	
IC104	8-759-561-46	IC AD8014ART-REEL7	
IC105	8-759-561-46	IC AD8014ART-REEL7	

Ref. No.	Part No.	Description	Remarks
		< COIL >	
L100	1-412-963-11	INDUCTOR	100uH
L101	1-412-963-11	INDUCTOR	100uH
L104	1-412-963-11	INDUCTOR	100uH
L105	1-412-963-11	INDUCTOR	100uH
L106	1-412-963-11	INDUCTOR	100uH
L107	1-412-963-11	INDUCTOR	100uH
		< RESISTOR >	
R100	1-218-962-11	RES-CHIP	5.6K 5% 1/16W
R101	1-218-961-11	RES-CHIP	4.7K 5% 1/16W
R102	1-218-962-11	RES-CHIP	5.6K 5% 1/16W
R103	1-218-961-11	RES-CHIP	4.7K 5% 1/16W
R104	1-218-961-11	RES-CHIP	4.7K 5% 1/16W
R105	1-218-962-11	RES-CHIP	5.6K 5% 1/16W
R106	1-218-953-11	RES-CHIP	1K 5% 1/16W
R107	1-218-940-11	RES-CHIP	82 5% 1/16W
R108	1-218-953-11	RES-CHIP	1K 5% 1/16W
R109	1-218-940-11	RES-CHIP	82 5% 1/16W
R110	1-218-953-11	RES-CHIP	1K 5% 1/16W
R111	1-218-940-11	RES-CHIP	82 5% 1/16W
R112	1-220-210-11	RES-CHIP	200K 5% 1/16W
R113	1-220-210-11	RES-CHIP	200K 5% 1/16W
R114	1-220-210-11	RES-CHIP	200K 5% 1/16W

	A-7074-403-A	CK-093 BOARD, COMPLETE *****	(Ref.No.:1000Series)
	3-051-919-01	SHEET,LI PROTECTION	
		< BATTERY >	
BT250	1-528-724-21	BATTERY, V/L RICHARGEABL	
		< CONNECTOR >	
CN250	1-784-995-21	CONNECTOR, BOARD TO BOARD 50P	
CN251	1-794-378-21	PIN, CONNECTOR 14P	
CN252	1-794-377-21	PIN, CONNECTOR 8P	
CN253	1-794-057-21	PIN, CONNECTOR (PC BOARD) 2P	
CN254	1-766-335-21	CONNECTOR, FFC/FPC 5P	
CN255	1-779-327-11	CONNECTOR, FFC/FPC 6P	
CN256	1-779-327-11	CONNECTOR, FFC/FPC 6P	

Be sure to read "Precautions upon replacing CCD imager" on page 4-9 when changing the CCD imager.

Ref. No.	Part No.	Description	Remarks	Ref. No.	Part No.	Description	Remarks
		< DIODE >					
D250	8-719-064-61	DIODE 01BZA8.2(TE85L)		C311	1-164-935-11	CERAMIC CHIP 470PF 10%	16V
D251	8-719-064-61	DIODE 01BZA8.2(TE85L)		C312	1-119-923-81	CERAMIC CHIP 0.047uF 10%	10V
D252	8-719-073-03	DIODE MA8082-(K8).S0		C313	1-104-913-11	TANTAL. CHIP 10uF 20%	16V
D253	8-719-064-61	DIODE 01BZA8.2(TE85L)		C314	1-119-751-11	TANTAL. CHIP 22uF 20%	16V
D254	8-719-064-61	DIODE 01BZA8.2(TE85L)		C315	1-164-937-11	CERAMIC CHIP 0.001uF 10%	16V
D255	8-719-064-61	DIODE 01BZA8.2(TE85L)		C316	1-119-751-11	TANTAL. CHIP 22uF 20%	16V
		< RESISTOR >		C317	1-164-939-11	CERAMIC CHIP 0.0022uF 10%	16V
R255	1-218-954-11	RES-CHIP 1.2K 5%	1/16W	C318	1-164-935-11	CERAMIC CHIP 470PF 10%	16V
R256	1-218-954-11	RES-CHIP 1.2K 5%	1/16W	C319	1-164-937-11	CERAMIC CHIP 0.001uF 10%	16V
R257	1-218-954-11	RES-CHIP 1.2K 5%	1/16W	C320	1-164-933-11	CERAMIC CHIP 220PF 10%	16V
R258	1-218-955-11	RES-CHIP 1.5K 5%	1/16W	C321	1-164-874-11	CERAMIC CHIP 100PF 5%	16V
R259	1-218-955-11	RES-CHIP 1.5K 5%	1/16W	C322	1-109-982-11	CERAMIC CHIP 1uF 10%	10V
R260	1-218-955-11	RES-CHIP 1.5K 5%	1/16W	C323	1-127-760-91	CERAMIC CHIP 4.7uF 10%	6.3V
R261	1-218-959-11	RES-CHIP 3.3K 5%	1/16W	C324	1-127-760-91	CERAMIC CHIP 4.7uF 10%	6.3V
R262	1-218-959-11	RES-CHIP 3.3K 5%	1/16W	C325	1-164-940-11	CERAMIC CHIP 0.0033uF 10%	16V
R263	1-218-959-11	RES-CHIP 3.3K 5%	1/16W	C326	1-109-982-11	CERAMIC CHIP 1uF 10%	10V
R264	1-218-963-11	RES-CHIP 6.8K 5%	1/16W	C327	1-164-939-11	CERAMIC CHIP 0.0022uF 10%	16V
R265	1-218-963-11	RES-CHIP 6.8K 5%	1/16W	C328	1-164-940-11	CERAMIC CHIP 0.0033uF 10%	16V
R266	1-218-963-11	RES-CHIP 6.8K 5%	1/16W	C329	1-164-940-11	CERAMIC CHIP 0.0033uF 10%	16V
R267	1-218-969-11	RES-CHIP 22K 5%	1/16W	C330	1-164-940-11	CERAMIC CHIP 0.0033uF 10%	16V
R268	1-218-969-11	RES-CHIP 22K 5%	1/16W	C331	1-164-940-11	CERAMIC CHIP 0.0033uF 10%	16V
R269	1-218-969-11	RES-CHIP 22K 5%	1/16W	C332	1-164-940-11	CERAMIC CHIP 0.0033uF 10%	16V
		< SWITCH >		C333	1-115-566-11	CERAMIC CHIP 4.7uF 10%	10V
S250	1-771-138-61	SWITCH, KEY BOARD(TITLE)		C334	1-115-566-11	CERAMIC CHIP 4.7uF 10%	10V
S251	1-771-138-61	SWITCH, KEY BOARD(DISPLAY)		C335	1-115-566-11	CERAMIC CHIP 4.7uF 10%	10V
S252	1-771-138-61	SWITCH, KEY BOARD(MEMORY INDEX)		C336	1-115-566-11	CERAMIC CHIP 4.7uF 10%	10V
S253	1-771-138-61	SWITCH, KEY BOARD(TC/U-BIT)		C337	1-115-566-11	CERAMIC CHIP 4.7uF 10%	10V
S254	1-771-138-61	SWITCH, KEY BOARD(MEMORY +)		C338	1-125-777-11	CERAMIC CHIP 0.1uF 10%	10V
S255	1-771-138-61	SWITCH, KEY BOARD(DIGITAL EFFECT)		C339	1-104-851-11	TANTAL. CHIP 10uF 20%	10V
S256	1-771-138-61	SWITCH, KEY BOARD(RESET)		C340	1-127-760-91	CERAMIC CHIP 4.7uF 10%	6.3V
S257	1-771-138-61	SWITCH, KEY BOARD(MEMORY -)		C341	1-127-760-91	CERAMIC CHIP 4.7uF 10%	6.3V
S258	1-771-138-61	SWITCH, KEY BOARD(MENU)		C342	1-127-760-91	CERAMIC CHIP 4.7uF 10%	6.3V
S259	1-771-138-61	SWITCH, KEY BOARD(MEMORY DELETE)		C343	1-127-760-91	CERAMIC CHIP 4.7uF 10%	6.3V
S260	1-771-138-61	SWITCH, KEY BOARD(MEMORY MIX)		C344	1-127-760-91	CERAMIC CHIP 4.7uF 10%	6.3V
S261	1-771-138-61	SWITCH, KEY BOARD(DATA CODE)		C345	1-127-760-91	CERAMIC CHIP 4.7uF 10%	6.3V
S262	1-771-138-61	SWITCH, KEY BOARD(MEMORY PLAY)		C346	1-127-820-91	CERAMIC 4.7uF	16V
S263	1-762-648-21	SWITCH, SLIDE(ZEBRA/OFF/70/100)		C349	1-127-820-91	CERAMIC 4.7uF	16V
A-7074-405-A	DD-138 BOARD, COMPLETE	*****	(Ref.No.:1000Series)	C350	1-113-985-11	TANTAL. CHIP 10uF 20%	20V
		< CAPACITOR >		C351	1-117-919-11	TANTAL. CHIP 10uF 20%	6.3V
C300	1-107-819-11	CERAMIC CHIP 0.022uF 10%	16V	C352	1-117-919-11	TANTAL. CHIP 10uF 20%	6.3V
C301	1-125-777-11	CERAMIC CHIP 0.1uF 10%	10V	C353	1-104-851-11	TANTAL. CHIP 10uF 20%	10V
C302	1-119-923-81	CERAMIC CHIP 0.047uF 10%	10V	C354	1-104-852-11	TANTAL. CHIP 22uF 20%	6.3V
C303	1-119-923-81	CERAMIC CHIP 0.047uF 10%	10V	C355	1-104-851-11	TANTAL. CHIP 10uF 20%	10V
C304	1-164-939-11	CERAMIC CHIP 0.0022uF 10%	16V	C356	1-117-919-11	TANTAL. CHIP 10uF 20%	6.3V
C305	1-164-943-11	CERAMIC CHIP 0.01uF 10%	16V	C357	1-117-919-11	TANTAL. CHIP 10uF 20%	6.3V
C307	1-125-777-11	CERAMIC CHIP 0.1uF 10%	10V	C358	1-117-919-11	TANTAL. CHIP 10uF 20%	6.3V
C308	1-119-751-11	TANTAL. CHIP 22uF 20%	16V	C359	1-135-259-11	TANTAL. CHIP 10uF 20%	6.3V
C309	1-164-874-11	CERAMIC CHIP 100PF 5%	16V	C360	1-104-851-11	TANTAL. CHIP 10uF 20%	10V
C310	1-119-751-11	TANTAL. CHIP 22uF 20%	16V	C361	1-110-569-11	TANTAL. CHIP 47uF 20%	6.3V
				C362	1-109-982-11	CERAMIC CHIP 1uF 10%	10V
				C363	1-104-851-11	TANTAL. CHIP 10uF 20%	10V
				C365	1-135-214-21	TANTAL. CHIP 4.7uF 20%	20V
				C366	1-113-985-11	TANTAL. CHIP 10uF 20%	20V
				C367	1-125-777-11	CERAMIC CHIP 0.1uF 10%	10V
				C368	1-135-259-11	TANTAL. CHIP 10uF 20%	6.3V
				C369	1-164-505-11	CERAMIC CHIP 2.2uF	16V
				C370	1-164-505-11	CERAMIC CHIP 2.2uF	16V
				C371	1-113-985-11	TANTAL. CHIP 10uF 20%	20V
				C372	1-113-985-11	TANTAL. CHIP 10uF 20%	20V
				C373	1-104-851-11	TANTAL. CHIP 10uF 20%	10V

DD-138

Ref. No.	Part No.	Description	Remarks	Ref. No.	Part No.	Description	Remarks
C375	1-113-985-11	TANTAL. CHIP 10uF 20%	20V			< TRANSISTOR >	
C376	1-135-212-21	TANTAL. CHIP 2.2uF 20%	35V				
C450	1-115-566-11	CERAMIC CHIP 4.7uF 10%	10V				
		< CONNECTOR >					
CN300	1-573-290-21	PIN, CONNECTOR (1.5MM) (SMD)4P		Q300	8-729-047-68	TRANSISTOR SSM3K03FE(TPL3)	
CN301	1-691-550-11	PIN, CONNECTOR (1.5MM)(SMD) 3P		Q301	8-729-046-77	TRANSISTOR SI4963DY-T1	
CN450	1-778-084-11	CONNECTOR, BOARD TO BOARD 60P		Q302	8-729-804-41	TRANSISTOR 2SB1122-ST-TD	
		< DIODE >		Q303	8-729-037-74	TRANSISTOR UN9213J-(K8).SO	
D300	8-719-158-49	DIODE MA8120-TX		Q304	8-729-047-68	TRANSISTOR SSM3K03FE(TPL3)	
D301	8-719-073-03	DIODE MA8082-(K8).SO		Q305	8-729-050-24	TRANSISTOR MCH6202-TL	
D302	8-719-073-03	DIODE MA8082-(K8).SO		Q306	8-729-037-53	TRANSISTOR 2SB1462J-QR(K8).SO	
D303	8-719-073-03	DIODE MA8082-(K8).SO		Q307	8-729-037-74	TRANSISTOR UN9213J-(K8).SO	
D304	8-719-056-48	DIODE 1SS388(TPL3)		Q308	8-729-043-60	TRANSISTOR CPH6102-TL	
				Q309	8-729-046-98	TRANSISTOR CPH6702-TL	
D305	8-719-058-24	DIODE RB501V-40TE-17		Q310	8-729-046-98	TRANSISTOR CPH6702-TL	
D306	8-719-058-24	DIODE RB501V-40TE-17		Q311	8-729-046-98	TRANSISTOR CPH6702-TL	
D307	8-719-058-24	DIODE RB501V-40TE-17		Q312	8-729-046-98	TRANSISTOR CPH6702-TL	
D308	8-719-056-48	DIODE 1SS388(TPL3)		Q313	8-729-046-98	TRANSISTOR CPH6702-TL	
D311	8-719-056-48	DIODE 1SS388(TPL3)		Q314	8-729-046-98	TRANSISTOR CPH6702-TL	
				Q315	8-729-037-52	TRANSISTOR 2SD2216J-QR(K8).SO	
D312	8-719-056-48	DIODE 1SS388(TPL3)		Q316	8-729-017-61	TRANSISTOR 2SB1581-T1	
D313	8-719-056-48	DIODE 1SS388(TPL3)		Q317	8-729-037-53	TRANSISTOR 2SB1462J-QR(K8).SO	
D314	8-719-056-23	DIODE MA2S111-(K8).SO		Q318	8-729-044-58	TRANSISTOR SI2304DS-T1	
D315	8-719-075-12	DIODE MA3XD21001SO		Q319	8-729-044-58	TRANSISTOR SI2304DS-T1	
D316	8-719-056-23	DIODE MA2S111-(K8).SO		Q320	8-729-044-58	TRANSISTOR SI2304DS-T1	
		< FUSE >		Q321	8-729-044-58	TRANSISTOR SI2304DS-T1	
△F300	1-576-286-21	FUSE, MICRO(1.4A)		Q322	8-729-044-58	TRANSISTOR SI2304DS-T1	
△F301	1-576-286-21	FUSE, MICRO(1.4A)		Q323	8-729-044-58	TRANSISTOR SI2304DS-T1	
△F302	1-576-286-21	FUSE, MICRO(1.4A)		Q324	8-729-037-52	TRANSISTOR 2SD2216J-QR(K8).SO	
△F303	1-576-286-21	FUSE, MICRO(1.4A)		Q325	8-729-037-74	TRANSISTOR UN9213J-(K8).SO	
△F304	1-576-286-21	FUSE, MICRO(1.4A)		Q327	8-729-037-52	TRANSISTOR 2SD2216J-QR(K8).SO	
				Q329	8-729-037-74	TRANSISTOR UN9213J-(K8).SO	
△F305	1-576-286-21	FUSE, MICRO(1.4A)		Q331	8-729-037-53	TRANSISTOR 2SB1462J-QR(K8).SO	
		< IC >		Q332	8-729-037-53	TRANSISTOR 2SB1462J-QR(K8).SO	
IC300	8-759-491-09	IC MB4488PFV-G-BND-ER		Q333	8-729-037-53	TRANSISTOR 2SB1462J-QR(K8).SO	
IC301	8-759-075-66	IC TA75S01F(TE85R)		Q334	8-729-049-25	TRANSISTOR 2SC5376F-B(TPL3)	
		< COIL >		Q335	8-729-037-52	TRANSISTOR 2SD2216J-QR(K8).SO	
L300	1-416-669-11	INDUCTOR 22uH		Q337	8-729-037-52	TRANSISTOR 2SD2216J-QR(K8).SO	
L301	1-416-670-11	INDUCTOR 33uH		Q338	8-729-037-53	TRANSISTOR 2SB1462J-QR(K8).SO	
L302	1-416-669-11	INDUCTOR 22uH		Q339	8-729-042-56	TRANSISTOR MGSF3455VT1	
L303	1-416-669-11	INDUCTOR 22uH		Q340	8-729-037-52	TRANSISTOR 2SD2216J-QR(K8).SO	
L304	1-416-669-11	INDUCTOR 22uH		Q341	8-729-049-91	TRANSISTOR 2SA2018H-T2L	
				Q344	8-729-037-52	TRANSISTOR 2SD2216J-QR(K8).SO	
L305	1-416-669-11	INDUCTOR 22uH		Q345	8-729-034-59	TRANSISTOR 2SA1745-6.7-TL	
L306	1-412-056-11	INDUCTOR 4.7uH		Q348	8-729-037-52	TRANSISTOR 2SD2216J-QR(K8).SO	
L307	1-414-770-91	INDUCTOR CHIP 4.7uH		Q349	8-729-037-53	TRANSISTOR 2SB1462J-QR(K8).SO	
L308	1-412-056-11	INDUCTOR 4.7uH		Q351	8-729-037-52	TRANSISTOR 2SD2216J-QR(K8).SO	
L309	1-414-400-11	INDUCTOR 22uH				< RESISTOR >	
				R300	1-218-953-11	RES-CHIP 1K 5% 1/16W	
L310	1-414-770-91	INDUCTOR CHIP 4.7uH		R301	1-216-296-91	SHORT 0	
L311	1-414-770-91	INDUCTOR CHIP 4.7uH		R302	1-216-296-91	SHORT 0	
L312	1-412-056-11	INDUCTOR 4.7uH		R303	1-218-985-11	RES-CHIP 470K 5% 1/16W	
L313	1-414-770-91	INDUCTOR CHIP 4.7uH		R304	1-218-989-11	RES-CHIP 1M 5% 1/16W	
L314	1-414-770-91	INDUCTOR CHIP 4.7uH		R305	1-218-969-11	RES-CHIP 22K 5% 1/16W	
L315	1-414-394-11	INDUCTOR 2.2uH		R306	1-216-150-91	RES-CHIP 10 5% 1/8W	
L316	1-414-770-91	INDUCTOR CHIP 4.7uH		R307	1-218-969-11	RES-CHIP 22K 5% 1/16W	
L317	1-469-058-11	INDUCTOR CHIP 22uH		R308	1-218-969-11	RES-CHIP 22K 5% 1/16W	
L318	1-469-058-11	INDUCTOR CHIP 22uH		R309	1-218-969-11	RES-CHIP 22K 5% 1/16W	
L319	1-414-770-91	INDUCTOR CHIP 4.7uH					
L451	1-414-770-91	INDUCTOR CHIP 4.7uH					

<p>Note : The components identified by mark △ or dotted line with mark △ are critical for safety. Replace only with part number specified.</p>	<p>Note : Les composants identifiés par une marque △ sont critiques pour la sécurité. Ne les remplacer que par une pièce portant le numéro spécifié.</p>
--	--

FK-076

FP-594

FT-090

HL-011

JK-190

Ref. No.	Part No.	Description	Remarks
R512	1-218-963-11	RES-CHIP 6.8K 5%	1/16W
R513	1-218-963-11	RES-CHIP 6.8K 5%	1/16W
R514	1-218-950-11	RES-CHIP 560 5%	1/16W
R515	1-218-969-11	RES-CHIP 22K 5%	1/16W
R516	1-218-950-11	RES-CHIP 560 5%	1/16W
		< SWITCH >	
S500	1-771-138-61	SWITCH, KEY BOARD(STOP)	
S501	1-771-138-61	SWITCH, KEY BOARD(PAUSE)	
S502	1-771-138-61	SWITCH, KEY BOARD(REW)	
S503	1-771-138-61	SWITCH, KEY BOARD(FF)	
S504	1-771-138-61	SWITCH, KEY BOARD(PLAY)	
S505	1-771-138-61	SWITCH, KEY BOARD(SLOW)	
S506	1-771-138-61	SWITCH, KEY BOARD(REC)	
S507	1-771-138-61	SWITCH, KEY BOARD(REC)	
S508	1-771-138-61	SWITCH, KEY BOARD(AUDIO DUB)	
S509	1-771-138-61	SWITCH, KEY BOARD(EDIT SEARCH +)	
S510	1-771-138-61	SWITCH, KEY BOARD(END SEARCH)	
S511	1-771-138-61	SWITCH, KEY BOARD(EDIT SEARCH -)	
	A-7073-418-A	FP-594 FLEXIBLE BOARD ***** (Ref.No.:9000Series)	
		< CONNECTOR >	
CN901	1-784-723-11	PIN, CONNECTOR 4P	
		< DIODE >	
D901	8-719-067-13	DIODE GL453K	
		< HOLE ELEMENT >	
H901	8-719-061-28	DIODE HW-105-FT-V (S REEL)	
H902	8-719-061-28	DIODE HW-105-FT-V (T REEL)	
		< TRANSISTOR >	
Q901	8-729-907-25	PHOTO TRANSISTOR PT4850F (TAPE END)	
Q902	8-729-907-25	PHOTO TRANSISTOR PT4850F (TAPE TOP)	
		< SWITCH >	
S901	8-711-039-51	SWITCH, PUSH (C IN SW)	
S902	8-572-719-32	SWITCH, PUSH (1KEY)(REC PROOF)	
S903	8-771-325-11	ENCODER, ROTARY (SWITCH)(MODE)	
	A-7074-413-A	FT-090 BOARD, COMPLETE ***** (Ref.No.:1000Series)	
		< CAPACITOR >	
C750	1-117-919-11	TANTAL. CHIP 10uF 20% 6.3V	
		< CONNECTOR >	
* CN750	1-573-984-11	CONNECTOR, BOARD TO BOARD 10P	
		< DIODE >	
D750	8-719-951-20	DIODE BR1102W-TR	
D751	8-719-052-25	DIODE CL-2001R-X-TU-BC	

Ref. No.	Part No.	Description	Remarks
		< FUSE >	
△ F750	1-533-874-11	FUSE, MICRO(0.2A)	
		< IC >	
IC750	8-749-013-13	IC RS-70-TU	
		< TRANSISTOR >	
Q750	8-729-037-71	TRANSISTOR UN9210J-(TX).SO	
		< RESISTOR >	
R750	1-218-951-11	RES-CHIP 680 5%	1/16W
R751	1-218-937-11	RES-CHIP 47 5%	1/16W
	A-7074-414-A	HL-011 BOARD, COMPLETE ***** (Ref.No.:2000Series)	
		< CAPACITOR >	
C1701	1-162-970-11	CERAMIC CHIP 0.01uF 10% 25V	
		< CONNECTOR >	
CN1701	1-766-337-21	CONNECTOR, FFC/FPC 7P	
CN1702	1-778-711-11	CONNECTOR, FFC/FPC (ZIF) 5P	
CN1703	1-573-930-11	CONNECTOR, FFC/FPC (ZIF) 21P	
		< DIODE >	
D1701	8-719-073-03	DIODE MA8082-(K8).SO	
		< IC >	
IC1701	8-759-573-02	IC BU9735K-E2	
		< RESISTOR >	
R1701	1-218-954-11	RES-CHIP 1.2K 5%	1/16W
R1702	1-218-955-11	RES-CHIP 1.5K 5%	1/16W
R1703	1-218-959-11	RES-CHIP 3.3K 5%	1/16W
R1704	1-216-855-11	METAL CHIP 680K 5%	1/16W
	A-7074-402-A	JK-190 BOARD, COMPLETE ***** (Ref.No.:2000Series)	
		< CAPACITOR >	
C301	1-164-937-11	CERAMIC CHIP 0.001uF 10% 16V	
C302	1-164-937-11	CERAMIC CHIP 0.001uF 10% 16V	
C303	1-164-937-11	CERAMIC CHIP 0.001uF 10% 16V	
C304	1-164-937-11	CERAMIC CHIP 0.001uF 10% 16V	
		< CONNECTOR >	
CN300	1-785-828-11	CONNECTOR, SQUARE TYPE 4P	
CN301	1-785-433-21	CONNECTOR, BOARD TO BOARD 40P	

<p>Note : The components identified by mark △ or dotted line with mark △ are critical for safety. Replace only with part number specified.</p>	<p>Note : Les composants identifiés par une marque △ sont critiques pour la sécurité. Ne les remplacer que par une pièce portant le numéro spécifié.</p>
---	---

Ref. No.	Part No.	Description	Remarks	Ref. No.	Part No.	Description	Remarks
		< DIODE >		A-7074-406-A	KP-010 BOARD, COMPLETE *****		(Ref.No.:1000Series)
D300	8-719-062-16	DIODE 01ZA8.2(TPL3)					
D301	8-719-073-03	DIODE MA8082-(K8).S0					
D302	8-719-062-16	DIODE 01ZA8.2(TPL3)					
D303	8-719-062-16	DIODE 01ZA8.2(TPL3)					
D304	8-719-062-16	DIODE 01ZA8.2(TPL3)					
		< DIODE >					
D305	8-719-073-03	DIODE MA8082-(K8).S0					
D306	8-719-062-16	DIODE 01ZA8.2(TPL3)					
D307	8-719-073-03	DIODE MA8082-(K8).S0					
D308	8-719-073-03	DIODE MA8082-(K8).S0					
D309	8-719-072-91	DIODE MAZJ200DOLS0					
		< DIODE >					
D310	8-719-062-16	DIODE 01ZA8.2(TPL3)					
D311	8-719-422-70	DIODE MA8075-TX					
D312	8-719-062-16	DIODE 01ZA8.2(TPL3)					
D313	8-719-062-16	DIODE 01ZA8.2(TPL3)					
D314	8-719-073-03	DIODE MA8082-(K8).S0					
		< FERRITE BEAD >		A-7074-401-A	LA-026 BOARD, COMPLETE *****		(Ref.No.:20000Series)
FB300	1-500-444-11	FERRITE 0UH					
FB301	1-500-444-11	FERRITE 0UH					
		< JACK >					
J300	1-694-713-11	TERMINAL BOARD(VIDEO/L/R)					
J301	1-566-850-31	CONNECTOR, (S) TERMINAL 4P(S-VIDEO)					
J302	1-563-282-21	JACK, SMALL TYPE (♁)					
J303	1-793-995-11	JACK, SUPER SMALL TYPE(♁LANC)					
		< COIL >					
L301	1-412-963-11	INDUCTOR 100uH					
L302	1-412-963-11	INDUCTOR 100uH					
		< RESISTOR >					
R300	1-216-864-11	METAL CHIP 0 5% 1/16W					
R301	1-216-864-11	METAL CHIP 0 5% 1/16W					
R302	1-216-864-11	METAL CHIP 0 5% 1/16W					
R303	1-216-864-11	METAL CHIP 0 5% 1/16W					
R304	1-216-864-11	METAL CHIP 0 5% 1/16W					
R305	1-216-864-11	METAL CHIP 0 5% 1/16W					
R306	1-216-864-11	METAL CHIP 0 5% 1/16W					
R307	1-216-864-11	METAL CHIP 0 5% 1/16W					
R308	1-216-864-11	METAL CHIP 0 5% 1/16W					
R309	1-216-864-11	METAL CHIP 0 5% 1/16W					
R311	1-216-864-11	METAL CHIP 0 5% 1/16W					
R312	1-216-864-11	METAL CHIP 0 5% 1/16W					
R313	1-216-864-11	METAL CHIP 0 5% 1/16W					
R314	1-216-864-11	METAL CHIP 0 5% 1/16W					
R315	1-216-864-11	METAL CHIP 0 5% 1/16W					
R316	1-216-864-11	METAL CHIP 0 5% 1/16W					
R317	1-218-990-11	SHORT 0					
R318	1-216-864-11	METAL CHIP 0 5% 1/16W					
R319	1-218-990-11	SHORT 0					
R320	1-216-864-11	METAL CHIP 0 5% 1/16W					
R321	1-216-864-11	METAL CHIP 0 5% 1/16W					
		< DIODE >					
		< CONNECTOR >					
CN550	1-766-336-21	CONNECTOR, FFC/FPC 6P					
		< DIODE >					
D550	8-719-064-61	DIODE 01BZA8.2(TE85L)					
		< SWITCH >					
S550	1-771-025-41	SWITCH, ROTARY (ENCODER)					(SEL/PUSH EXEC)
		< CAPACITOR >					
C070	1-125-777-11	CERAMIC CHIP 0.1uF 10% 10V					
C071	1-107-826-91	CERAMIC CHIP 0.1uF 10% 16V					
C072	1-107-826-91	CERAMIC CHIP 0.1uF 10% 16V					
C073	1-164-942-11	CERAMIC CHIP 0.0068uF 10% 16V					
C074	1-164-942-11	CERAMIC CHIP 0.0068uF 10% 16V					
C075	1-107-823-11	CERAMIC CHIP 0.47uF 10% 16V					
C076	1-125-837-91	CERAMIC CHIP 1uF 10% 6.3V					
C077	1-107-823-11	CERAMIC CHIP 0.47uF 10% 16V					
C078	1-125-777-11	CERAMIC CHIP 0.1uF 10% 10V					
C079	1-125-926-91	TANTAL. CHIP 4.7uF 20% 6.3V					
C080	1-117-919-11	TANTAL. CHIP 10uF 20% 6.3V					
C085	1-115-467-11	CERAMIC CHIP 0.22uF 10% 10V					
C086	1-115-467-11	CERAMIC CHIP 0.22uF 10% 10V					
C087	1-119-923-81	CERAMIC CHIP 0.047uF 10% 10V					
C088	1-119-923-81	CERAMIC CHIP 0.047uF 10% 10V					
C089	1-164-940-11	CERAMIC CHIP 0.0033uF 10% 16V					
C090	1-107-819-11	CERAMIC CHIP 0.022uF 10% 16V					
C091	1-107-819-11	CERAMIC CHIP 0.022uF 10% 16V					
C092	1-164-940-11	CERAMIC CHIP 0.0033uF 10% 16V					
C093	1-117-919-11	TANTAL. CHIP 10uF 20% 6.3V					
C094	1-117-919-11	TANTAL. CHIP 10uF 20% 6.3V					
C095	1-127-895-91	TANTAL. CHIP 22uF 20% 4V					
C096	1-125-777-11	CERAMIC CHIP 0.1uF 10% 10V					
C097	1-125-926-91	TANTAL. CHIP 4.7uF 20% 6.3V					
C098	1-125-838-91	CERAMIC CHIP 2.2uF 10% 6.3V					
C099	1-125-838-91	CERAMIC CHIP 2.2uF 10% 6.3V					
C100	1-127-760-91	CERAMIC CHIP 4.7uF 10% 6.3V					
C140	1-164-943-11	CERAMIC CHIP 0.01uF 10% 16V					
C141	1-164-943-11	CERAMIC CHIP 0.01uF 10% 16V					
C142	1-164-941-11	CERAMIC CHIP 0.0047uF 10% 16V					
C143	1-115-156-11	CERAMIC CHIP 1uF 10% 10V					
C145	1-125-777-11	CERAMIC CHIP 0.1uF 10% 10V					
C146	1-125-777-11	CERAMIC CHIP 0.1uF 10% 10V					
C147	1-164-935-11	CERAMIC CHIP 470PF 10% 16V					
C148	1-164-489-11	CERAMIC CHIP 0.22uF 10% 16V					

LA-026

Ref. No.	Part No.	Description	Remarks	Ref. No.	Part No.	Description	Remarks
C149	1-164-937-11	CERAMIC CHIP	0.001uF 10%	16V	IC075	8-759-478-92	IC TC7SET04FU(TE85R)
C150	1-107-823-11	CERAMIC CHIP	0.47uF 10%	16V	IC076	8-759-478-92	IC TC7SET04FU(TE85R)
C151	1-164-943-11	CERAMIC CHIP	0.01uF 10%	16V	IC140	8-759-637-96	IC uPD16877MA-6A5-E2
C152	1-125-777-11	CERAMIC CHIP	0.1uF 10%	10V	IC141	8-759-444-87	IC NJM324V(TE2)
C153	1-164-939-11	CERAMIC CHIP	0.0022uF 10%	16V	IC142	8-759-075-66	IC TA75S01F(TE85R)
C154	1-104-851-11	TANTAL. CHIP	10uF 20%	10V	IC143	8-759-327-33	IC BU9241FS-E2
C155	1-125-777-11	CERAMIC CHIP	0.1uF 10%	10V	IC144	8-759-327-33	IC BU9241FS-E2
C156	1-125-777-11	CERAMIC CHIP	0.1uF 10%	10V	IC200	8-759-489-19	IC uPC6756GR-8JG-E2
C157	1-127-895-91	TANTAL. CHIP	22uF 20%	4V			< COIL >
C158	1-127-895-91	TANTAL. CHIP	22uF 20%	4V			
C159	1-125-777-11	CERAMIC CHIP	0.1uF 10%	10V	L070	1-412-951-11	INDUCTOR 10uH
C160	1-164-866-11	CERAMIC CHIP	47PF 5%	16V	L071	1-412-963-11	INDUCTOR 100uH
C161	1-164-866-11	CERAMIC CHIP	47PF 5%	16V	L072	1-414-754-11	INDUCTOR 10uH
C162	1-115-467-11	CERAMIC CHIP	0.22uF 10%	10V	L073	1-414-771-91	INDUCTOR CHIP 10uH
C163	1-115-467-11	CERAMIC CHIP	0.22uF 10%	10V	L140	1-414-754-11	INDUCTOR 10uH
C164	1-164-935-11	CERAMIC CHIP	470PF 10%	16V	L141	1-414-754-11	INDUCTOR 10uH
C165	1-164-935-11	CERAMIC CHIP	470PF 10%	16V	L142	1-414-754-11	INDUCTOR 10uH
C166	1-127-895-91	TANTAL. CHIP	22uF 20%	4V	L143	1-414-754-11	INDUCTOR 10uH
C167	1-164-935-11	CERAMIC CHIP	470PF 10%	16V	L200	1-414-754-11	INDUCTOR 10uH
C168	1-164-935-11	CERAMIC CHIP	470PF 10%	16V			< TRANSISTOR >
C170	1-125-777-11	CERAMIC CHIP	0.1uF 10%	10V	Q050	8-729-037-72	TRANSISTOR UN9211J-(K8).SO
C200	1-127-895-91	TANTAL. CHIP	22uF 20%	4V	Q070	8-729-037-53	TRANSISTOR 2SB1462J-QR(K8).SO
C201	1-127-895-91	TANTAL. CHIP	22uF 20%	4V	Q071	8-729-037-53	TRANSISTOR 2SB1462J-QR(K8).SO
C202	1-164-677-11	CERAMIC CHIP	0.033uF 10%	16V	Q072	8-729-037-74	TRANSISTOR UN9213J-(K8).SO
C203	1-164-677-11	CERAMIC CHIP	0.033uF 10%	16V	Q073	8-729-037-53	TRANSISTOR 2SB1462J-QR(K8).SO
C204	1-107-819-11	CERAMIC CHIP	0.022uF 10%	16V	Q074	8-729-037-74	TRANSISTOR UN9213J-(K8).SO
C205	1-107-819-11	CERAMIC CHIP	0.022uF 10%	16V	Q075	8-729-037-53	TRANSISTOR 2SB1462J-QR(K8).SO
C206	1-107-819-11	CERAMIC CHIP	0.022uF 10%	16V	Q076	8-729-013-31	TRANSISTOR 2SA1588-OY-TE85L
C207	1-107-819-11	CERAMIC CHIP	0.022uF 10%	16V	Q077	8-729-037-53	TRANSISTOR 2SB1462J-QR(K8).SO
C208	1-110-569-11	TANTAL. CHIP	47uF 20%	4V	Q078	8-729-037-74	TRANSISTOR UN9213J-(K8).SO
C209	1-110-569-11	TANTAL. CHIP	47uF 20%	4V	Q140	8-729-037-53	TRANSISTOR 2SB1462J-QR(K8).SO
C210	1-110-569-11	TANTAL. CHIP	47uF 20%	4V	Q141	8-729-037-74	TRANSISTOR UN9213J-(K8).SO
C211	1-110-569-11	TANTAL. CHIP	47uF 20%	4V	Q142	8-729-037-52	TRANSISTOR 2SD2216J-QR(K8).SO
C214	1-127-895-91	TANTAL. CHIP	22uF 20%	4V	Q143	8-729-037-52	TRANSISTOR 2SD2216J-QR(K8).SO
C215	1-125-777-11	CERAMIC CHIP	0.1uF 10%	10V	Q200	8-729-013-31	TRANSISTOR 2SA1588-OY-TE85L
		< CONNECTOR >			Q201	8-729-037-74	TRANSISTOR UN9213J-(K8).SO
CN050	1-784-423-21	CONNECTOR, FFC/FPC (ZIF) 39P					< RESISTOR >
CN051	1-778-086-21	CONNECTOR, BOARD TO BOARD 80P			R051	1-218-954-11	RES-CHIP 1.2K 5% 1/16W
CN052	1-784-421-11	CONNECTOR, FFC/FPC (ZIF) 27P			R052	1-218-955-11	RES-CHIP 1.5K 5% 1/16W
CN053	1-766-843-21	CONNECTOR, FFC/FPC 27P			R053	1-218-959-11	RES-CHIP 3.3K 5% 1/16W
CN054	1-766-336-21	CONNECTOR, FFC/FPC 6P			R054	1-218-963-11	RES-CHIP 6.8K 5% 1/16W
CN055	1-766-336-21	CONNECTOR, FFC/FPC 6P			R055	1-218-969-11	RES-CHIP 22K 5% 1/16W
CN056	1-766-350-21	CONNECTOR, FFC/FPC 20P			R058	1-216-295-91	SHORT 0
		< DIODE >			R063	1-216-295-91	SHORT 0
D070	8-719-064-61	DIODE 01BZA8.2(TE85L)			R065	1-216-864-11	METAL CHIP 0 5% 1/16W
D140	8-719-056-23	DIODE MA2S111-(K8).SO			R066	1-218-990-11	SHORT 0
		< FERRITE BEAD >			R067	1-216-864-11	METAL CHIP 0 5% 1/16W
FB140	1-414-445-11	FERRITE 0UH			R070	1-208-885-11	METAL CHIP 820 0.5% 1/16W
		< IC >			R071	1-208-703-11	METAL CHIP 6.8K 0.5% 1/16W
IC070	8-759-359-49	IC NJM3414AV(TE2)			R072	1-208-885-11	METAL CHIP 820 0.5% 1/16W
IC071	8-759-359-49	IC NJM3414AV(TE2)			R073	1-208-703-11	METAL CHIP 6.8K 0.5% 1/16W
IC072	8-759-823-51	IC LB1830M-TLM			R074	1-208-707-11	METAL CHIP 10K 0.5% 1/16W
IC073	8-759-444-87	IC NJM324V(TE2)			R075	1-208-707-11	METAL CHIP 10K 0.5% 1/16W
IC074	8-759-058-45	IC NJM3403AV(TE2)			R076	1-208-707-11	METAL CHIP 10K 0.5% 1/16W
					R077	1-208-935-11	METAL CHIP 100K 0.5% 1/16W
					R078	1-208-707-11	METAL CHIP 10K 0.5% 1/16W
					R079	1-208-707-11	METAL CHIP 10K 0.5% 1/16W

LB-065**MA-386**

Ref. No.	Part No.	Description	Remarks	Ref. No.	Part No.	Description	Remarks
		< FLUORESCENT INDICATOR >					
ND200	1-517-933-31	FLUORESCENT TUBE (0.44)		C1181	1-109-982-11	CERAMIC CHIP 1uF 10%	10V
		< TRANSISTOR >		C1182	1-117-919-11	TANTAL. CHIP 10uF 20%	6.3V
Q200	8-729-039-24	TRANSISTOR FX216-TL1		C1183	1-165-128-11	CERAMIC CHIP 0.22uF	16V
		< RESISTOR >		C1184	1-125-837-91	CERAMIC CHIP 1uF 10%	6.3V
R200	1-218-948-11	RES-CHIP 390 5%	1/16W	C1185	1-125-777-11	CERAMIC CHIP 0.1uF 10%	10V
R203	1-216-808-11	METAL CHIP 82 5%	1/16W	C1186	1-125-777-11	CERAMIC CHIP 0.1uF 10%	10V
R204	1-218-965-11	RES-CHIP 10K 5%	1/16W	C1187	1-110-563-11	CERAMIC CHIP 0.068uF 10%	16V
R205	1-218-977-11	RES-CHIP 100K 5%	1/16W	C1188	1-110-563-11	CERAMIC CHIP 0.068uF 10%	16V
R206	1-218-977-11	RES-CHIP 100K 5%	1/16W			< CONNECTOR >	
R207	1-218-977-11	RES-CHIP 100K 5%	1/16W	CN1100	1-784-419-11	CONNECTOR, FFC/FPC (ZIF) 15P	
R208	1-218-977-11	RES-CHIP 100K 5%	1/16W	CN1101	1-766-350-21	CONNECTOR, FFC/FPC 20P	
		< TRANSFORMER >		CN1102	1-784-419-11	CONNECTOR, FFC/FPC (ZIF) 15P	
△T200	1-435-225-21	TRANSFORMER, INVERTER		CN1103	1-784-421-11	CONNECTOR, FFC/FPC (ZIF) 27P	
						< DIODE >	
A-7074-410-A	MA-386 BOARD, COMPLETE	***** (Ref.No.:2000Series)		D1104	8-719-064-61	DIODE 01BZA8.2(TE85L)	
		< CAPACITOR >		D1105	8-719-951-20	DIODE BR1102W-TR	
C1106	1-117-919-11	TANTAL. CHIP 10uF 20%	6.3V	D1106	8-719-073-03	DIODE MA8082-(K8).SO	
C1107	1-117-919-11	TANTAL. CHIP 10uF 20%	6.3V	D1107	8-719-073-01	DIODE MA111-(K8).SO	
C1109	1-117-919-11	TANTAL. CHIP 10uF 20%	6.3V	D1108	8-719-073-01	DIODE MA111-(K8).SO	
C1150	1-107-819-11	CERAMIC CHIP 0.022uF 10%	16V	D1109	8-719-073-01	DIODE MA111-(K8).SO	
C1151	1-119-923-81	CERAMIC CHIP 0.047uF 10%	10V	D1110	8-719-073-01	DIODE MA111-(K8).SO	
C1152	1-107-819-11	CERAMIC CHIP 0.022uF 10%	16V	D1111	8-719-064-61	DIODE 01BZA8.2(TE85L)	
C1153	1-164-943-11	CERAMIC CHIP 0.01uF 10%	16V	D1112	8-719-064-61	DIODE 01BZA8.2(TE85L)	
C1154	1-119-923-81	CERAMIC CHIP 0.047uF 10%	10V	D1116	8-719-064-61	DIODE 01BZA8.2(TE85L)	
C1155	1-117-919-11	TANTAL. CHIP 10uF 20%	6.3V			< IC >	
C1156	1-164-937-11	CERAMIC CHIP 0.001uF 10%	16V	IC1102	8-749-013-13	IC RS-70-TU	
C1157	1-117-919-11	TANTAL. CHIP 10uF 20%	6.3V	IC1150	8-759-638-50	IC AN2901FHQ-EB	
C1158	1-164-935-11	CERAMIC CHIP 470PF 10%	16V			< COIL >	
C1159	1-164-935-11	CERAMIC CHIP 470PF 10%	16V	L1150	1-414-754-11	INDUCTOR 10uH	
C1160	1-164-937-11	CERAMIC CHIP 0.001uF 10%	16V			< TRANSISTOR >	
C1162	1-164-937-11	CERAMIC CHIP 0.001uF 10%	16V	Q1104	8-729-037-71	TRANSISTOR UN9210J-(TX).SO	
C1163	1-164-937-11	CERAMIC CHIP 0.001uF 10%	16V			< RESISTOR >	
C1165	1-125-777-11	CERAMIC CHIP 0.1uF 10%	10V	R1101	1-218-973-11	RES-CHIP 47K 5%	1/16W
C1166	1-125-777-11	CERAMIC CHIP 0.1uF 10%	10V	R1102	1-218-977-11	RES-CHIP 100K 5%	1/16W
C1167	1-125-777-11	CERAMIC CHIP 0.1uF 10%	10V	R1104	1-218-939-11	RES-CHIP 68 5%	1/16W
C1168	1-125-777-11	CERAMIC CHIP 0.1uF 10%	10V	R1105	1-218-977-11	RES-CHIP 100K 5%	1/16W
C1169	1-125-777-11	CERAMIC CHIP 0.1uF 10%	10V	R1121	1-218-951-11	RES-CHIP 680 5%	1/16W
C1170	1-125-777-11	CERAMIC CHIP 0.1uF 10%	10V	R1122	1-218-990-11	SHORT 0	
C1171	1-110-563-11	CERAMIC CHIP 0.068uF 10%	16V	R1123	1-218-990-11	SHORT 0	
C1172	1-110-563-11	CERAMIC CHIP 0.068uF 10%	16V	R1125	1-218-937-11	RES-CHIP 47 5%	1/16W
C1173	1-162-970-11	CERAMIC CHIP 0.01uF 10%	25V	R1126	1-218-953-11	RES-CHIP 1K 5%	1/16W
C1175	1-107-819-11	CERAMIC CHIP 0.022uF 10%	16V	R1127	1-218-953-11	RES-CHIP 1K 5%	1/16W
C1177	1-162-970-11	CERAMIC CHIP 0.01uF 10%	25V	R1128	1-218-965-11	RES-CHIP 10K 5%	1/16W
C1178	1-107-819-11	CERAMIC CHIP 0.022uF 10%	16V	R1129	1-218-965-11	RES-CHIP 10K 5%	1/16W
C1179	1-107-819-11	CERAMIC CHIP 0.022uF 10%	16V	R1130	1-218-977-11	RES-CHIP 100K 5%	1/16W
C1180	1-107-819-11	CERAMIC CHIP 0.022uF 10%	16V	R1131	1-218-939-11	RES-CHIP 68 5%	1/16W
				R1152	1-218-968-11	RES-CHIP 18K 5%	1/16W

Note :

The components identified by mark △ or dotted line with mark △ are critical for safety. Replace only with part number specified.

Note :

Les composants identifiés par une marque △ sont critiques pour la sécurité. Ne les remplacer que par une pièce portant le numéro spécifié.

MA-386**MI-038****MK-014****MS-049**

Ref. No.	Part No.	Description			Remarks
R1153	1-218-971-11	RES-CHIP	33K	5%	1/16W
R1154	1-218-965-11	RES-CHIP	10K	5%	1/16W
R1155	1-218-965-11	RES-CHIP	10K	5%	1/16W
R1157	1-218-963-11	RES-CHIP	6.8K	5%	1/16W
R1158	1-218-963-11	RES-CHIP	6.8K	5%	1/16W
R1159	1-218-963-11	RES-CHIP	6.8K	5%	1/16W
R1160	1-218-953-11	RES-CHIP	1K	5%	1/16W
R1161	1-218-953-11	RES-CHIP	1K	5%	1/16W
R1162	1-208-912-11	METAL CHIP	11K	0.5%	1/16W
R1163	1-218-963-11	RES-CHIP	6.8K	5%	1/16W
R1164	1-208-912-11	METAL CHIP	11K	0.5%	1/16W
R1168	1-218-964-11	RES-CHIP	8.2K	5%	1/16W
R1169	1-208-701-11	METAL CHIP	5.6K	0.5%	1/16W
R1170	1-218-963-11	RES-CHIP	6.8K	5%	1/16W
R1171	1-218-964-11	RES-CHIP	8.2K	5%	1/16W
R1172	1-218-961-11	RES-CHIP	4.7K	5%	1/16W
R1173	1-218-961-11	RES-CHIP	4.7K	5%	1/16W
R1174	1-218-971-11	RES-CHIP	33K	5%	1/16W
R1175	1-218-971-11	RES-CHIP	33K	5%	1/16W
R1176	1-218-971-11	RES-CHIP	33K	5%	1/16W
R1177	1-218-953-11	RES-CHIP	1K	5%	1/16W
R1178	1-218-968-11	RES-CHIP	18K	5%	1/16W
R1179	1-218-971-11	RES-CHIP	33K	5%	1/16W
R1180	1-218-963-11	RES-CHIP	6.8K	5%	1/16W
R1181	1-218-965-11	RES-CHIP	10K	5%	1/16W
R1182	1-218-965-11	RES-CHIP	10K	5%	1/16W
		< SWITCH >			
S1100	1-572-473-11	SWITCH, TACTIL			
A-7074-411-A	MI-038 BOARD, COMPLETE	*****			(Ref.No.:1000Series)
		< CAPACITOR >			
C700	1-164-874-11	CERAMIC CHIP	100PF	5%	16V
C701	1-164-874-11	CERAMIC CHIP	100PF	5%	16V
C702	1-164-489-11	CERAMIC CHIP	0.22uF	10%	16V
C703	1-164-489-11	CERAMIC CHIP	0.22uF	10%	16V
C704	1-164-874-11	CERAMIC CHIP	100PF	5%	16V
C705	1-164-874-11	CERAMIC CHIP	100PF	5%	16V
C706	1-110-569-11	TANTAL. CHIP	47uF	20%	6.3V
C709	1-115-467-11	CERAMIC CHIP	0.22uF	10%	10V
C710	1-113-682-11	TANTAL. CHIP	33uF	20%	10V
C711	1-113-682-11	TANTAL. CHIP	33uF	20%	10V
		< CONNECTOR >			
* CN700	1-580-057-11	PIN, CONNECTOR (SMD) 4P			
* CN701	1-580-057-11	PIN, CONNECTOR (SMD) 4P			
CN702	1-573-990-21	CONNECTOR, BOARD TO BOARD 10P			
* CN703	1-750-339-21	CONNECTOR, FFC/FPC (ZIF) 14P			
		< TRANSISTOR >			
Q700	8-729-140-75	TRANSISTOR	2SD999-T1-CLCK		
Q701	8-729-037-52	TRANSISTOR	2SD2216J-QR(K8).SO		
Q702	8-729-403-35	TRANSISTOR	UN5113-TX		
Q703	8-729-037-52	TRANSISTOR	2SD2216J-QR(K8).SO		
Q704	8-729-402-42	TRANSISTOR	UN5213-TX		

Ref. No.	Part No.	Description			Remarks
Q705	8-729-037-52	TRANSISTOR	2SD2216J-QR(K8).SO		
Q706	8-729-037-52	TRANSISTOR	2SD2216J-QR(K8).SO		
Q707	8-729-037-52	TRANSISTOR	2SD2216J-QR(K8).SO		
		< RESISTOR >			
R700	1-218-847-11	METAL CHIP	1K	0.5%	1/16W
R701	1-218-847-11	METAL CHIP	1K	0.5%	1/16W
R702	1-218-880-11	METAL CHIP	24K	0.5%	1/16W
R703	1-218-894-11	METAL CHIP	91K	0.5%	1/16W
R704	1-218-880-11	METAL CHIP	24K	0.5%	1/16W
R705	1-218-894-11	METAL CHIP	91K	0.5%	1/16W
R706	1-216-313-00	METAL CHIP	8.2	5%	1/10W
R707	1-218-949-11	RES-CHIP	470	5%	1/16W
R708	1-218-947-11	RES-CHIP	330	5%	1/16W
R713	1-218-965-11	RES-CHIP	10K	5%	1/16W
R714	1-218-965-11	RES-CHIP	10K	5%	1/16W
R715	1-218-965-11	RES-CHIP	10K	5%	1/16W
R716	1-218-990-11	SHORT	0		
R717	1-218-990-11	SHORT	0		
A-7074-408-A	MK-014 BOARD, COMPLETE	*****			(Ref.No.:1000Series)
		< CONNECTOR >			
CN001	1-779-327-11	CONNECTOR, FFC/FPC 6P			
		< DIODE >			
D003	8-719-061-82	DIODE	TLSU1002(TPX1,SONY)		
D004	8-719-073-03	DIODE	MA8082-(K8).SO		
		< RESISTOR >			
R001	1-218-950-11	RES-CHIP	560	5%	1/16W
R006	1-218-969-11	RES-CHIP	22K	5%	1/16W
		< SWITCH >			
S001	1-771-138-61	SWITCH, KEY BOARD(GAIN)			
S002	1-771-138-61	SWITCH, KEY BOARD(SHUTTER SPEED)			
S003	1-771-138-61	SWITCH, KEY BOARD(WHT BAL)			
S004	1-771-138-61	SWITCH, KEY BOARD(AE SHIFT)			
S005	1-762-648-21	SWITCH, SLIDE(AUTOLOCK/HOLD)			
A-7074-407-A	MS-049 BOARD, COMPLETE	*****			(Ref.No.:2000Series)
		< CONNECTOR >			
CN775	1-766-644-21	CONNECTOR, FFC/FPC 8P			
CN776	1-793-641-11	CONNECTOR, MEMORY STICK			
		< RESISTOR >			
R1001	1-216-295-91	SHORT	0		
R1002	1-216-864-11	METAL CHIP	0	5%	1/16W
R1003	1-218-990-11	SHORT	0		
R1004	1-216-864-11	METAL CHIP	0	5%	1/16W

PD-126

Ref. No.	Part No.	Description	Remarks	Ref. No.	Part No.	Description	Remarks
	A-7096-158-A	PD-126 BOARD, COMPLETE (SERVICE)				< COIL >	

		(Ref.No.:2000Series)		L2101	1-414-755-11	INDUCTOR	22uH
		< CAPACITOR >		L2102	1-414-754-11	INDUCTOR	10uH
				L2103	1-414-754-11	INDUCTOR	10uH
C2101	1-119-750-11	TANTAL. CHIP	22uF 20% 6.3V	L2104	1-410-998-31	INDUCTOR	2.7uH
C2102	1-125-777-11	CERAMIC CHIP	0.1uF 10% 10V	L2181	1-412-056-11	INDUCTOR	4.7uH
C2103	1-164-943-11	CERAMIC CHIP	0.01uF 10% 16V	L2182	1-414-757-11	INDUCTOR	100uH
C2104	1-117-919-11	TANTAL. CHIP	10uF 20% 6.3V			< TRANSISTOR >	
C2105	1-125-777-11	CERAMIC CHIP	0.1uF 10% 10V	Q2101	8-729-427-74	TRANSISTOR	XP4601-TXE
				Q2102	8-729-037-74	TRANSISTOR	UN9213J-(TX).SO
C2107	1-107-826-91	CERAMIC CHIP	0.1uF 10% 16V	Q2103	8-729-427-74	TRANSISTOR	XP4601-TXE
C2108	1-164-943-11	CERAMIC CHIP	0.01uF 10% 16V	Q2104	8-729-041-23	TRANSISTOR	NDS356AP
C2109	1-164-943-11	CERAMIC CHIP	0.01uF 10% 16V	Q2109	8-729-037-53	TRANSISTOR	2SB1462J-QR(K8).SO
C2110	1-164-943-11	CERAMIC CHIP	0.01uF 10% 16V				
C2111	1-164-739-11	CERAMIC CHIP	560PF 5% 50V	Q2111	8-729-037-52	TRANSISTOR	2SD2216J-QR(K8).SO
				Q2112	8-729-048-77	TRANSISTOR	XP4313-(TX).SO
C2112	1-125-838-91	CERAMIC CHIP	2.2uF 10% 6.3V	Q2181	8-729-042-72	TRANSISTOR	UN9214J-(K8).SO
C2113	1-164-004-11	CERAMIC CHIP	0.1uF 10% 25V	Q2182	8-729-037-53	TRANSISTOR	2SA1832F-Y/GR(TPL3)
C2114	1-164-943-11	CERAMIC CHIP	0.01uF 10% 16V	Q2183	8-729-042-59	TRANSISTOR	UN9112J-(K8).SO
C2115	1-107-687-11	TANTAL. CHIP	3.3uF 20% 20V			< RESISTOR >	
C2116	1-164-937-11	CERAMIC CHIP	0.001uF 10% 16V	R2111	1-218-985-11	RES-CHIP	470K 5% 1/16W
				R2112	1-218-985-11	RES-CHIP	470K 5% 1/16W
C2117	1-164-874-11	CERAMIC CHIP	100PF 5% 16V	R2113	1-218-990-11	SHORT	0
C2118	1-125-838-91	CERAMIC CHIP	2.2uF 10% 6.3V	R2114	1-218-967-11	RES-CHIP	15K 5% 1/16W
C2119	1-125-838-91	CERAMIC CHIP	2.2uF 10% 6.3V	R2115	1-218-958-11	RES-CHIP	2.7K 5% 1/16W
C2120	1-125-838-91	CERAMIC CHIP	2.2uF 10% 6.3V				
C2123	1-107-687-11	TANTAL. CHIP	3.3uF 20% 20V	R2116	1-218-973-11	RES-CHIP	47K 5% 1/16W
				R2117	1-218-975-11	RES-CHIP	68K 5% 1/16W
C2124	1-164-943-11	CERAMIC CHIP	0.01uF 10% 16V	R2118	1-218-969-11	RES-CHIP	22K 5% 1/16W
C2125	1-163-021-91	CERAMIC CHIP	0.01uF 10% 50V	R2119	1-218-975-11	RES-CHIP	68K 5% 1/16W
C2126	1-115-566-11	CERAMIC CHIP	4.7uF 10% 10V	R2122	1-218-989-11	RES-CHIP	1M 5% 1/16W
C2127	1-125-777-11	CERAMIC CHIP	0.1uF 10% 10V				
C2128	1-107-725-11	CERAMIC CHIP	0.1uF 10% 16V	R2123	1-218-990-11	SHORT	0
				R2124	1-218-977-11	RES-CHIP	100K 5% 1/16W
C2129	1-216-295-91	SHORT	0 (Note)	R2129	1-218-990-11	SHORT	0
C2130	1-164-943-11	CERAMIC CHIP	0.01uF 10% 16V	R2134	1-218-929-11	RES-CHIP	10 5% 1/16W
C2133	1-109-982-11	CERAMIC CHIP	1uF 10% 10V	R2136	1-218-929-11	RES-CHIP	10 5% 1/16W
C2181	1-119-751-11	TANTAL. CHIP	22uF 20% 16V				
C2182	1-164-943-11	CERAMIC CHIP	0.01uF 10% 16V	R2137	1-218-929-11	RES-CHIP	10 5% 1/16W
				R2138	1-218-941-11	RES-CHIP	100 5% 1/16W
C2183	1-119-751-11	TANTAL. CHIP	22uF 20% 16V	R2143	1-218-965-11	RES-CHIP	10K 5% 1/16W
C2184	1-164-943-11	CERAMIC CHIP	0.01uF 10% 16V	R2144	1-218-985-11	RES-CHIP	470K 5% 1/16W
C2185	1-117-919-11	TANTAL. CHIP	10uF 20% 6.3V	R2146	1-218-990-11	SHORT	0
C2186	1-125-777-11	CERAMIC CHIP	0.1uF 10% 10V				
				R2147	1-218-990-11	SHORT	0
		< CONNECTOR >		R2148	1-218-965-11	RES-CHIP	10K 5% 1/16W
CN2100	1-794-378-21	PIN, CONNECTOR 14P		R2153	1-218-990-11	SHORT	0
CN2101	1-794-377-21	PIN, CONNECTOR 8P		R2157	1-218-989-11	RES-CHIP	1M 5% 1/16W
* CN2103	1-778-155-11	CONNECTOR, FFC/FPC (ZIF) 7P		R2158	1-218-975-11	RES-CHIP	68K 5% 1/16W
* CN2104	1-778-172-11	CONNECTOR, FFC/FPC (ZIF) 24P					
CN2105	1-764-704-21	CONNECTOR, FFC/FPC (LIF) 5P		R2159	1-218-979-11	RES-CHIP	150K 5% 1/16W
				R2160	1-218-988-11	RES-CHIP	820K 5% 1/16W
		< DIODE >		R2162	1-218-990-11	SHORT	0
D2101	8-719-073-01	DIODE MA111-TX		R2163	1-218-990-11	SHORT	0
D2102	8-713-102-80	DIODE 1T369-01-T8A		R2165	1-218-990-11	SHORT	0
D2104	8-719-050-42	DIODE RD3.3UM-T1B					
D2181	8-719-059-47	DIODE PG1111R-TR		R2166	1-218-965-11	RES-CHIP	10K 5% 1/16W
				R2168	1-218-990-11	SHORT	0
		< IC >		R2169	1-218-990-11	SHORT	0
IC2101	8-759-660-93	IC RB5P004AM1		R2170	1-218-977-11	RES-CHIP	100K 5% 1/16W
IC2103	8-752-403-84	IC CXD3505R-T4		R2172	1-218-990-11	SHORT	0

Note : Resistor is mounted to the location where C2129 is printed.

Ref. No.	Part No.	Description			Remarks
R2173	1-218-990-11	SHORT	0		
R2174	1-218-990-11	SHORT	0		
R2175	1-218-990-11	SHORT	0		
R2176	1-218-990-11	SHORT	0		
R2177	1-218-977-11	RES-CHIP	100K	5%	1/16W
R2178	1-218-977-11	RES-CHIP	100K	5%	1/16W
R2179	1-218-977-11	RES-CHIP	100K	5%	1/16W
R2180	1-218-977-11	RES-CHIP	100K	5%	1/16W
R2181	1-218-961-11	RES-CHIP	4.7K	5%	1/16W
R2182	1-218-953-11	RES-CHIP	1K	5%	1/16W
R2183	1-218-941-11	RES-CHIP	100	5%	1/16W
R2184	1-218-990-11	SHORT	0		
<hr/>					
A-7074-399-A		SE-108 BOARD, COMPLETE			

		(Ref.No.;1000Series)			
< CAPACITOR >					
C600	1-125-777-11	CERAMIC CHIP	0.1uF	10%	10V
C601	1-127-895-91	TANTAL. CHIP	22uF	20%	4V
< CONNECTOR >					
CN600	1-766-336-21	CONNECTOR, FFC/FPC 6P			
< COIL >					
L600	1-414-754-11	INDUCTOR	10uH		
< SENSOR >					
SE600	1-803-042-31	SENSOR, ANGULAR VELOCITY			
SE601	1-803-042-41	SENSOR, ANGULAR VELOCITY			

Ref. No.	Part No.	Description	Remarks
	A-7096-157-A	VC-242 BOARD, COMPLETE (SERVICE)	

			(Ref.No.;1000Series)

Electrical parts list of the VC-242 board are not shown. pages 6-27 to 6-36 are not shown.

Ref. No.	Part No.	Description	Remarks	Ref. No.	Part No.	Description	Remarks
		MISCELLANEOUS *****				ACCESSORIES & PACKING MATERIALS *****	
1	1-678-055-21	FP-187 FLEXIBLE BOARD		△	1-475-599-11	ADAPTOR, AC (VX2000:US,CND,E,HK,JE/VX2000E:AEP,UK,E,HK,AUS,JE)	
8	1-678-057-21	FP-189 FLEXIBLE BOARD		△	1-475-599-71	ADAPTOR, AC (VX2000:KR)	
14	1-678-067-21	FP-200 FLEXIBLE BOARD		△	1-475-599-81	ADAPTOR, AC (VX2000E:CN)	
15	1-475-950-21	REMOTE COMMANDER (RMT-811)		△	1-475-950-21	REMOTECOMMANDER (RMT-811)	
65	1-678-054-21	FP-186 FLEXIBLE BOARD		△	1-569-007-11	ADAPTOR, CONVERSION 2P (VX2000:JE/VX2000E:JE)	
67	1-678-059-21	FP-191 FLEXIBLE BOARD		△	1-569-008-21	ADAPTOR, CONVERSION 2P (VX2000:E,HK/VX2000E:E,HK)	
74	1-469-830-11	FILTER, EMI (VX2000)			1-573-291-11	CONNECTOR, CONVERSION (21Pin) (VX2000E:AEP,UK)	
122	1-476-075-21	SWITCH BLOCK, CONTROL (PS-4980)			1-575-334-11	CORD, CONNECTION (A/V)(1.5m)	
123	1-476-025-21	SWITCH BLOCK, CONTROL (CF-4980)		△	1-690-827-11	CORDSET, POWER (VX2000E:AEP)	
153	1-678-063-21	FP-196 FLEXIBLE BOARD		△	1-696-819-21	CORD, POWER (VX2000E:AUS)	
△ 163	1-418-876-11	TRANSFORMER UNIT, INVERTER		△	1-769-608-11	CORD, POWER (VX2000E/VX2000E:E)	
164	1-678-062-11	FP-195 FLEXIBLE BOARD		△	1-775-843-21	CORD, POWER (WITH FILTER)(VX2000E:UK)	
203	1-960-558-11	HARNESS (CP-094) 14P		△	1-776-985-11	CORD, POWER (VX2000:KR)	
204	1-960-557-11	HARNESS (CP-093) 8P		△	1-782-476-11	CORD, POWER (VX2000E:CN)	
205	1-476-183-11	SWITCH BLOCK, CONTROL (ED-4980)		△	1-783-374-11	CORD, POWER (VX2000:HK/VX2000E:HK)	
212	1-678-064-21	FP-197 FLEXIBLE BOARD		△	1-790-073-11	CORD, POWER 2P (VX2000:JE/VX2000E:JE)	
234	1-678-061-21	FP-194 FLEXIBLE BOARD		△	1-790-107-22	CORD, POWER (VX2000:US,CND)	
256	1-678-066-11	FP-199 FLEXIBLE BOARD			1-792-826-11	CORD, CONNECTION	
259	1-785-594-11	CONNECTOR (HOT SHOE), OUTER			3-053-056-01	LID, BATTERY CASE	
266	1-678-068-11	FP-201 FLEXIBLE BOARD			3-060-457-11	MANUAL, INSTRUCTION (PICTURE GEAR 4.1 LITE)(ENGLISH)(VX2000:US,CND,E,JE)	
267	1-678-049-11	FP-202 FLEXIBLE BOARD			3-060-457-21	MANUAL, INSTRUCTION (PICTURE GEAR 4.1 LITE)(FRENCH)(VX2000:CND)	
274	1-678-065-21	FP-198 FLEXIBLE BOARD			3-060-457-31	MANUAL, INSTRUCTION (PICTURE GEAR 4.1 LITE)(TRADITIONAL CHINESE) (VX2000:E,HK/VX2000E:HK)	
281	1-469-829-11	CORE, FERRITE (VX2000)			3-060-457-41	MANUAL, INSTRUCTION (PICTURE GEAR 4.1 LITE)(KOREAN)(VX2000:KR,JE)	
307	1-678-058-11	FP-190 FLEXIBLE BOARD			3-060-458-11	MANUAL, INSTRUCTION (PICTURE GEAR 4.1 LITE)(ENGLISH/RUSSIAN) (VX2000:HK/VX2000E)	
310	1-694-411-11	TERMINAL BOARD, BATTERY			3-060-458-21	MANUAL, INSTRUCTION (PICTURE GEAR 4.1 LITE)(FRENCH/GERMAN) (VX2000E:AEP,E,JE)	
312	1-794-637-11	CONNECTOR, DC-IN			3-060-458-31	MANUAL, INSTRUCTION (PICTURE GEAR 4.1 LITE)(ITALIAN/DUTCH)(VX2000E:AEP)	
322	1-469-829-11	CORE, FERRITE (VX2000)			3-060-458-41	MANUAL, INSTRUCTION (PICTURE GEAR 4.1 LITE)(SPANISH/PORTUGUESE) (VX2000:E,JE/VX2000E:AEP)	
356	1-678-060-11	FP-193 FLEXIBLE BOARD			3-060-458-61	MANUAL, INSTRUCTION (PICTURE GEAR 4.1 LITE)(ARABIC/SWEDISH) (VX2000:E/VX2000E:E)	
408	1-678-056-21	FP-188 FLEXIBLE BOARD			3-060-458-71	MANUAL, INSTRUCTION (PICTURE GEAR 4.1 LITE)(SIMPLIFIED CHINESE) (VX2000E:E,CN,JE)	
413	1-960-654-11	HARNESS, CJ-064			3-060-476-01	PICTURE GEAR 4.1 LITE (SYSTEM DISK)	
454	A-7031-100-A	PRISM ASSY (SERVICE) (INCLUDING 3CCD) (VX2000)			3-060-676-01	EYECUP, LARGE	
454	A-7031-101-A	PRISM ASSY (SERVICE) (INCLUDING 3CCD) (VX2000E)			3-060-791-11	MANUAL, INSTRUCTION(ENGLISH) (VX2000:US,CND,E,JE)	
812	1-657-785-11	FP-248 FLEXIBLE BOARD (DEW SENSOR)			3-060-791-21	MANUAL, INSTRUCTION(FRENCH) (VX2000:CND)	
CN901	1-784-723-11	PIN, CONNECTOR 4P			3-060-791-31	MANUAL, INSTRUCTION (SPANISH/PORTUGUESE)(VX2000:E,JE)	
D901	8-719-067-13	DIODE GL453K			3-060-791-41	MANUAL, INSTRUCTION (SIMPLIFIED CHINESE)(VX2000:E)	
H901	8-719-061-28	DIODE HW-105C-FT-V (S REEL)					
H902	8-719-061-28	DIODE HW-105C-FT-V (T REEL)					
LCD901	8-753-050-52	ACX300CK-J					
LCD902	A-7096-156-A	PANEL BLOCK ASSY, INDICATION					
LCD903	8-753-026-77	LX033AK-J					
M901	A-4900-079-A	DRUM ASSY (DEH-11B/J-RP)					
M902	8-835-606-01	MOTOR, DC SCD15A/C-NP (CAPSTAN)					
M903	X-3948-346-1	MOTOR ASSY, LOADING					
MIC901	1-542-263-11	MICROPHONE UNIT					
MIC902	1-542-263-11	MICROPHONE UNIT					
△ ND901	1-517-931-11	TUBE, FLUORESCENT,COLD CATHODE					
Q901	8-729-907-25	PHOTO TRANSISTOR PT4850F (TAPE END)					
Q902	8-729-907-25	PHOTO TRANSISTOR PT4850F (TAPE TOP)					
S901	1-771-039-51	SWITCH, PUSH (CASSETTE IN)					
S902	1-572-719-32	SWITCH, PUSH (1 KEY)(REC PROOF)					
S903	1-771-325-11	ENCODER, ROTARY (SWITCH)(MODE)					
SP901	1-529-590-11	SPEAKER (2.0CM)					

Be sure to read "Precautions upon replacing CCD imager" on page 4-9 when changing the CCD imager.

Note :
The components identified by mark △ or dotted line with mark △ are critical for safety. Replace only with part number specified.

Note :
Les composants identifiés par une marque △ sont critiques pour la sécurité. Ne les remplacer que par une pièce portant le numéro spécifié.

<u>Ref. No.</u>	<u>Part No.</u>	<u>Description</u>	<u>Remarks</u>
	3-060-791-51	MANUAL, INSTRUCTION (ARABIC)	(VX2000:E)
	3-060-791-61	MANUAL, INSTRUCTION (KOREAN)	(VX2000:KR,JE)
	3-061-238-12	MANUAL, INSTRUCTION (MSAC-US1)	(ENGLISH/FRENCH)(VX2000/VX2000E:E, HK, AUS, CN, JE)
	3-061-238-21	MANUAL, INSTRUCTION (MSAC-US1)	(GERMAN/SPANISH/DUTCH/SWEDISH/ITALIAN/PORTUGUESE/ RUSSIAN/ARABIC/TRADITIONAL CHINESE/ KOREAN/DANISH/FINNISH)
	3-061-255-01	SYSTEM DISK (MSAC-US1)	(VX2000:E, KR, HK, JE/VX2000E: AEP, E, HK, CN, JE)
	3-061-508-11	MANUAL, INSTRUCTION (ENGLISH/RUSSIAN)	(VX2000E: AEP, UK)
	3-061-508-21	MANUAL, INSTRUCTION (GERMAN/ITALIAN)	(VX2000E: AEP)
	3-061-508-31	MANUAL, INSTRUCTION	(SPANISH/PORTUGUESE)(VX2000E: AEP)
	3-061-508-41	MANUAL, INSTRUCTION (FRENCH/DUTCH)	(VX2000E: AEP)
	3-061-518-11	MANUAL, INSTRUCTION (ENGLISH/RUSSIAN)	(VX2000: HK/VX2000E: E, HK, AUS, CN, JE)
	3-061-518-21	MANUAL, INSTRUCTION (FRENCH/GERMAN)	(VX2000E: E, JE)
	3-061-518-31	MANUAL, INSTRUCTION	(SIMPLIFIED CHINESE)(VX2000E: E, CN, JE)
	3-061-518-41	MANUAL, INSTRUCTION	(TRADITIONAL CHINESE)(VX2000: HK/VX2000E: HK)
	3-061-518-51	MANUAL, INSTRUCTION (ARABIC/PERSIAN)	(VX2000E: E)
	3-987-015-01	BELT(S), SHOULDER	
	A-7033-740-A	MEMORY STICK MSA-4A	
	A-7094-140-A	NP-F330 BATTERY PACK	(VX2000: US, CND)
	A-7094-141-A	NP-F330 BATTERY PACK	(VX2000: E, KR, HK, JE/VX2000E)
	A-7096-180-A	MSAC-US1 MEMORY STICK READER/WRITER	