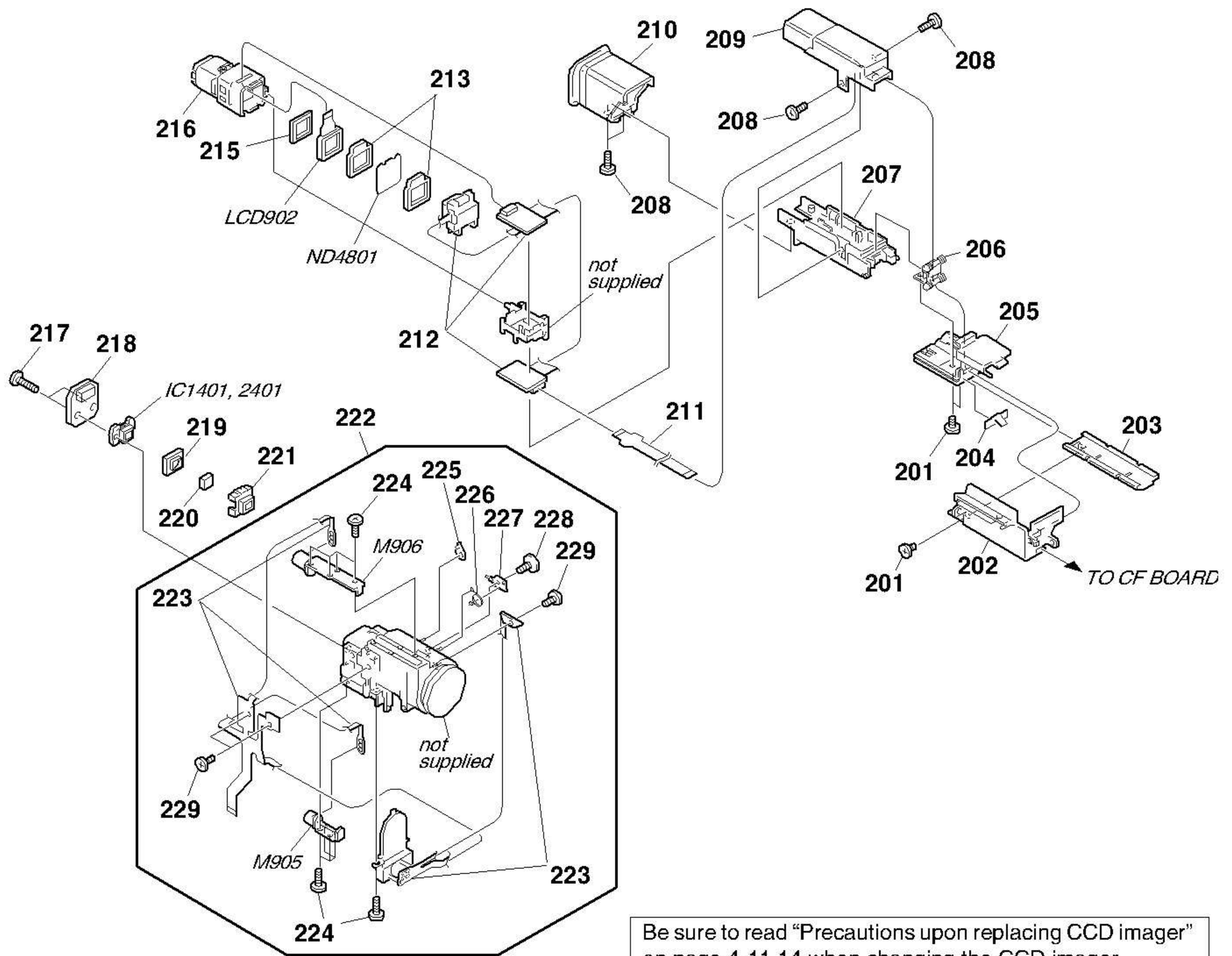


6-1-5. EVF AND LENS BLOCK ASSEMBLY



Be sure to read "Precautions upon replacing CCD imager" on page 4-11,14 when changing the CCD imager.

Ref. No.	Part No.	Description	Remarks	Ref. No.	Part No.	Description	Remarks
201	3-968-729-81	SCREW (M2), LOCK ACE, P2		219	3-968-054-11	RUBBER (FM), SHIELD	
202	3-054-418-01	BASE (C) (96), VF		220	1-758-155-21	FILTER BLOCK, OPTICAL (410E/510E)	
203	3-053-677-01	BASE (C), SLIDE FIXED		220	1-758-216-21	FILTER BLOCK, OPTICAL (410/510)	
204	3-054-141-01	RETAINER, HARNESS		221	3-978-981-11	ADAPTOR (FK), CCD FITTING	
205	X-3949-488-1	BASE (C) (96) ASSY, SLIDE		222	8-848-729-01	DEVICE, LENS LSV-630A	
206	X-3949-331-1	ARM (C) ASSY, CRANK		223	X-3949-355-1	IRIS FLEXIBLE ASSY 630 (N)	
207	3-054-417-01	CABINET (LOWER C) (96), EVF		224	3-713-791-41	SCREW, TAPPING (M1.7X5), P2	
208	3-948-339-01	SCREW, TAPPING		225	3-253-799-01	GEAR, IR	
209	3-054-416-01	CABINET (UPPER C) (96), EVF		226	3-053-800-01	SPRING, RETAIN	
210	X-3949-487-1	CABINET REAR (C) (96) ASSY, EVF		227	3-653-827-01	LEVER, IR	
211	1-672-662-11	FP-47 FLEXIBLE BOARD		228	3-053-853-01	TAPPING (B1.7X4)	
212	A-7073-876-A	VF-126 BOARD, COMPLETE		229	3-713-791-51	SCREW, TAPPING (M1.7X3.5), P2	
* 213	3-989-416-11	CUSHION (458), LCD		IC1401	A-7030-821-A	CCD BLOCK ASSY (410/510)	
* 215	3-960-302-11	CUSHION (1), LCD		IC2401	A-7030-885-A	CCD BLOCK ASSY (410E/510E)	
216	X-3949-332-1	LENS ASSY (92), VF		LCD902	8-753-023-89	LCX024AK-J COMPLE	
217	3-318-203-11	SCREW (B1.7X6), TAPPING		M905	1-763-262-11	MOTOR, FOCUS STEPPING	
218	A-7073-865-A	CD-212 BOARD, COMPLETE (410/510)		M906	1-763-046-11	MOTOR, ZOOM STEPPING	
218	A-7073-940-A	CD-213 BOARD, COMPLETE (410E/510E)		*△ND4801	3-988-563-01	ILLUMINATOR (458), BL	

Note :
The components identified by mark △ or dotted line with mark △ are critical for safety. Replace only with part number specified.

Note :
Les composants identifiés par une marque △ sont critiques pour la sécurité. Ne les remplacer que par une pièce portant le numéro spécifié.