



SECTION 6 REPAIR PARTS LIST

6-1. EXPLODED VIEWS

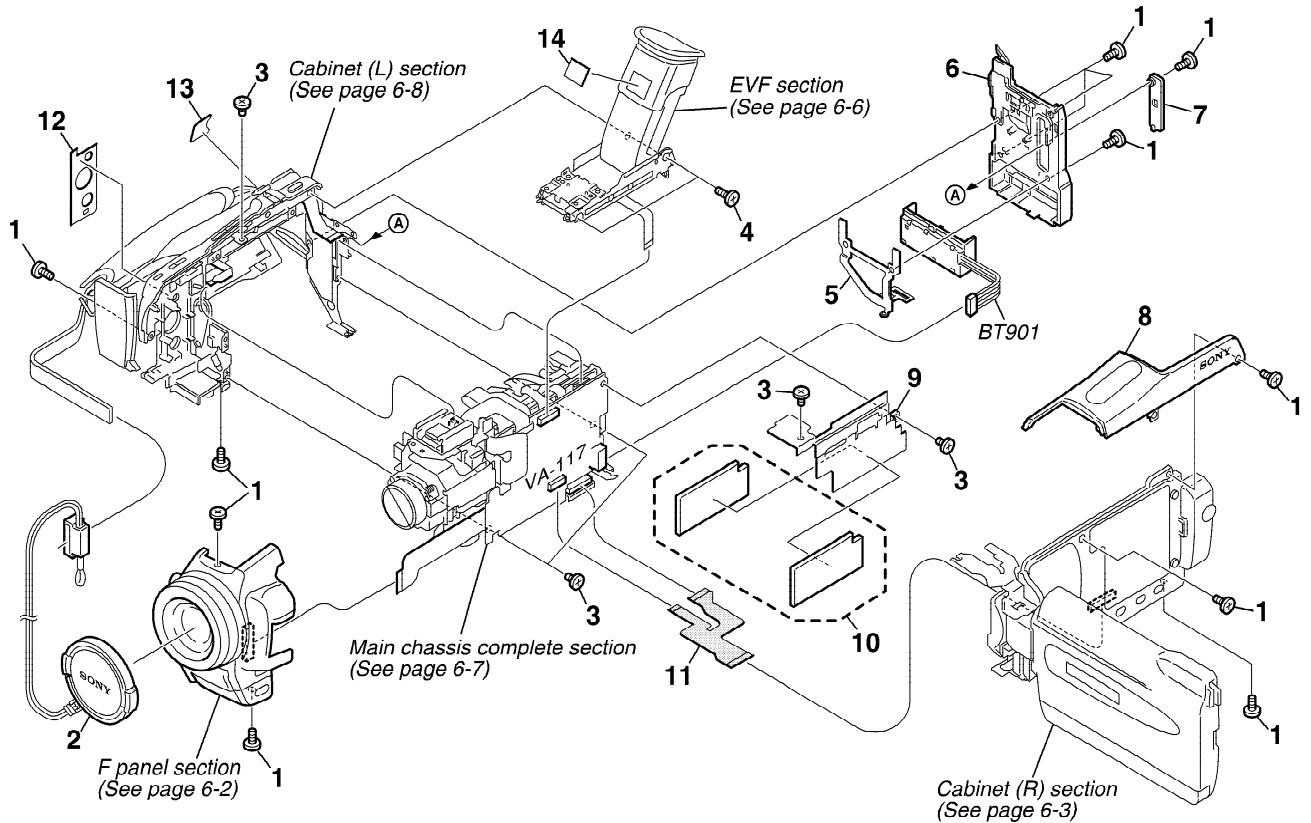
NOTE:

- -XX, -X mean standardized parts, so they may have some differences from the original one.
- Items marked “*” are not stocked since they are seldom required for routine service. Some delay should be anticipated when ordering these items.

- The mechanical parts with no reference number in the exploded views are not supplied.

The components identified by mark Δ or dotted line with mark Δ are critical for safety. Replace only with part number specified.

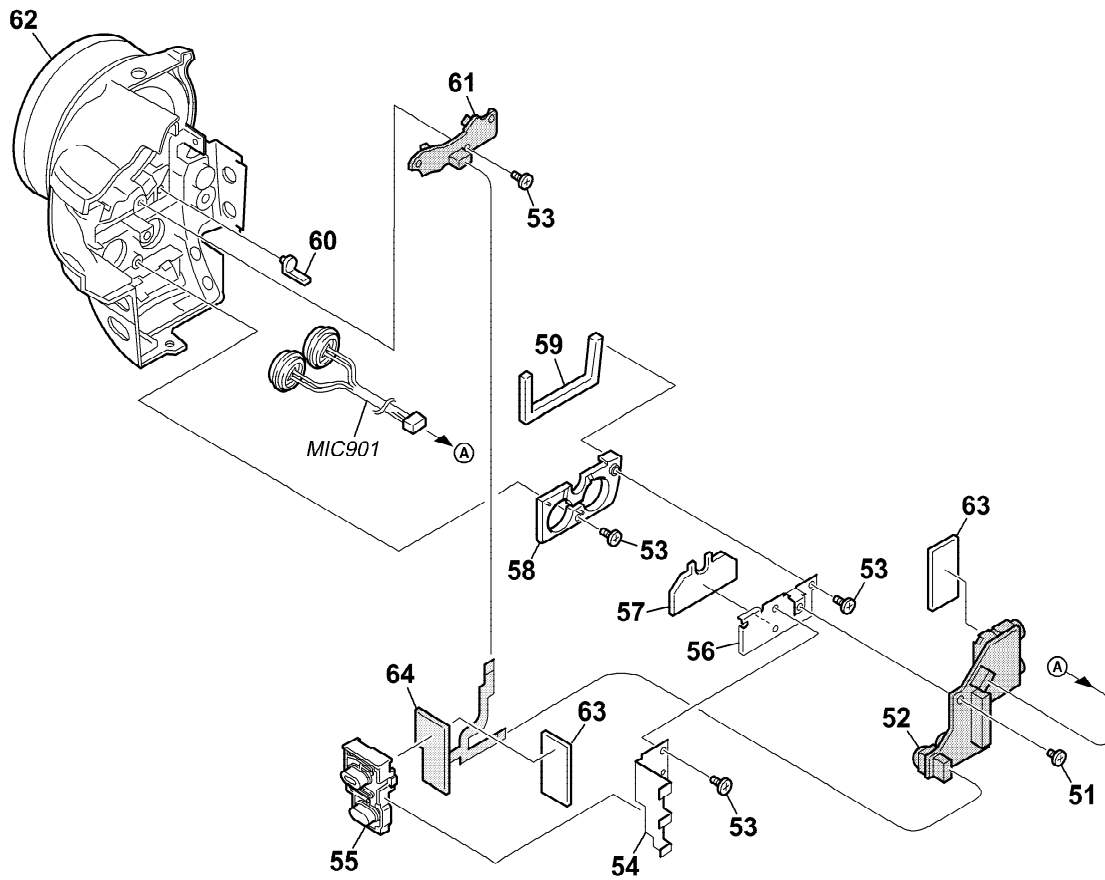
6-1-1. OVERALL



Ref. No.	Part No.	Description	Ref. No.	Part No.	Description
1	3-056-030-61	SCREW (M1.7), LOCK ACE, P2	10	3-073-851-01	VA RADIATION SHEET A
2	X-3950-537-1	CAP ASSY, LENS	11	1-684-248-11	FP-434 FLEXIBLE BOARD
3	4-974-725-01	SCREW (M1.7X2.5), P	12	3-073-511-21	PLATE, JACK ORNAMENTAL (TRV24E)
4	3-713-791-11	SCREW (M1.7X5), TAPPING, P2	12	3-073-511-31	PLATE, JACK ORNAMENTAL (TRV25E/TRV27E)
5	3-067-024-01	BRACKET (LOWER), STRAP	13	3-073-502-31	SHEET, POWER (TRV25E/TRV27E)
6	X-3952-229-1	BT PANEL ASSY	13	3-073-502-41	SHEET, POWER (TRV24E)
7	3-067-025-01	CPC LID	14	3-074-433-01	LABEL, COLOR (VF)
8	X-3952-231-1	TOP CABINET ASSY	BT901	1-694-772-11	TERMINAL BOARD, BATTERY
9	3-073-852-01	VA HEAT SINK			

DCR-TRV24E/TRV25E/TRV27E

6-1-2. FRONT PANEL SECTION

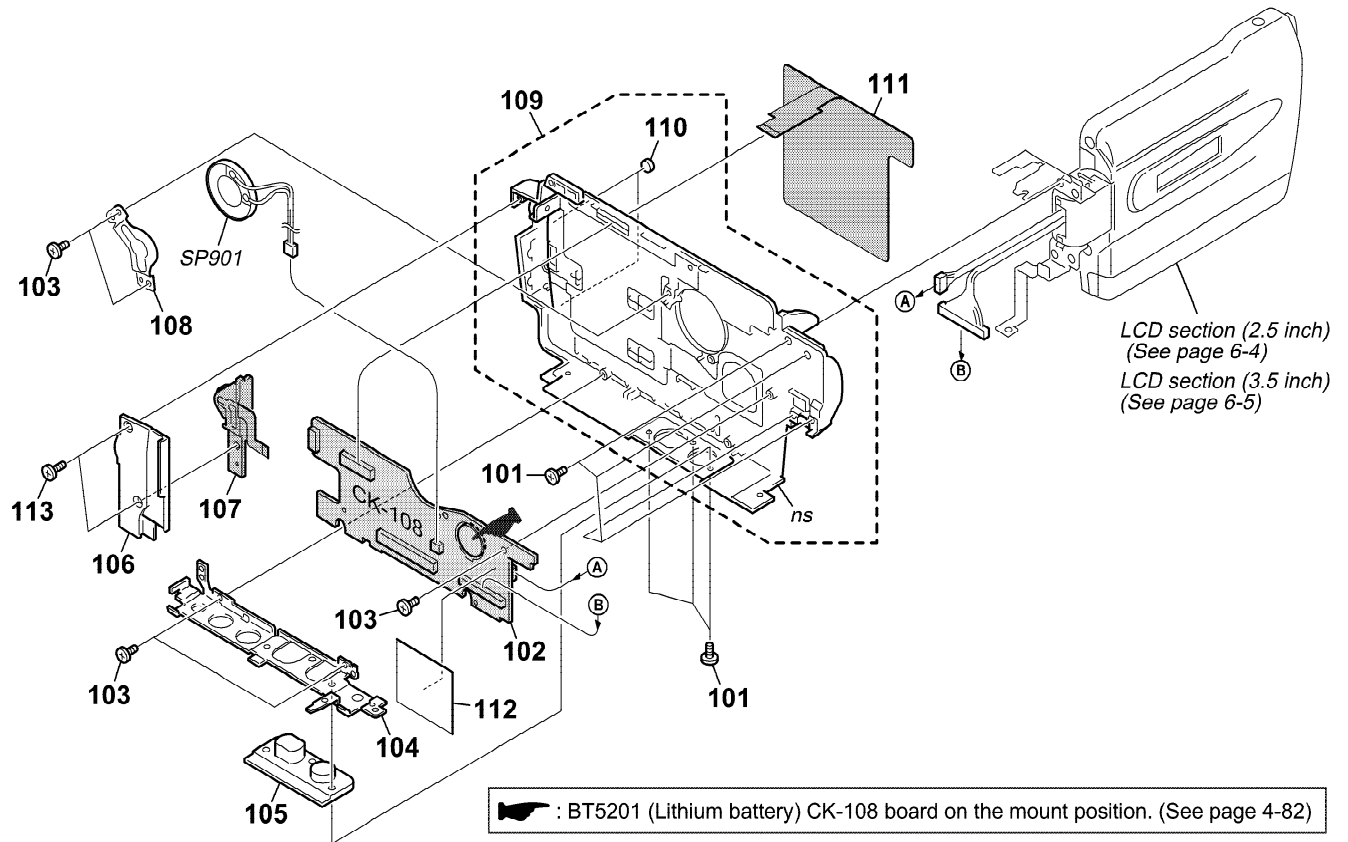


Ref. No.	Part No.	Description
51	4-974-725-01	SCREW (M1.7X2.5), P
52	A-7078-104-A	MA-409 BOARD, COMPLETE
53	3-713-791-51	SCREW (M1.7X3.5), TAPPING, P2
54	3-073-464-01	RETAINER, FOCUS BUTTON
55	3-073-463-01	FOCUS, BUTTON
56	3-073-460-01	RETAINER (2), MICROPHONE
57	3-073-461-01	CUSHION, MICROPHONE RETAINER
58	3-073-459-01	RETAINER (1), MICROPHONE

Ref. No.	Part No.	Description
59	3-074-585-01	CUSHION, MICROPHONE
60	3-073-462-01	LIGHT, TALLY GUIDE
61	A-7078-103-A	FB-219 BOARD, COMPLETE
62	X-3952-402-1	F PANEL ASSY (G)
63	3-075-386-01	CUSHION, JACK
64	1-684-258-21	FP-444 FLEXIBLE BOARD
MIC901	1-542-477-11	MICROPHONE

6-1-3. CABINET (R) SECTION

ns : not supplied

**CAUTION :**

Danger of explosion if battery is incorrectly replaced.
Replace only with the same or equivalent type.

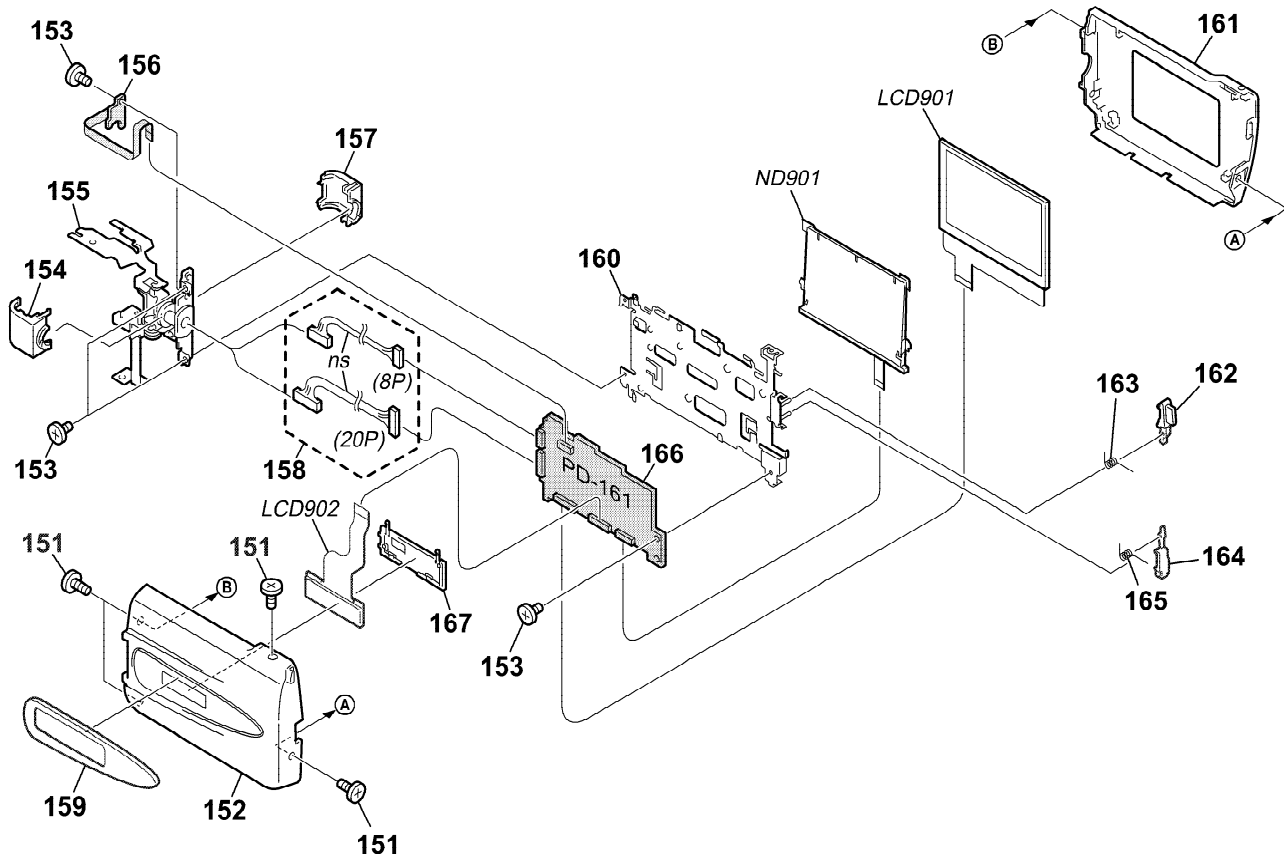
Ref. No.	Part No.	Description
101	3-055-573-01	SCREW (M1.7), LOCK AGE, P2
102	A-7078-105-A	CK-108 BOARD, COMPLETE
103	3-713-791-51	SCREW (M1.7X3.5), TAPPING, P2
104	3-074-072-01	FRAME BOTTOM
105	3-055-257-01	TRIPOD (LARGE)
106	3-073-466-01	BLIND, KURUPON
107	1-477-147-11	SWITCH BLOCK, CONTROL (KP-CX2670)
* 108	X-3950-471-1	RETAINER ASSY, SPEAKER
109	X-3952-407-1	CABINET (R) ASSY 2.5 (TRV24E/TRV25E)

Ref. No.	Part No.	Description
109	X-3952-408-2	CABINET (R) ASSY 3.5 (TRV27E)
110	3-959-978-02	CUSHION, PANEL
111	1-477-149-21	SWITCH BLOCK, CONTROL (SH-CX2670) (TRV25E/TRV27E)
111	1-477-149-31	SWITCH BLOCK, CONTROL (SH-CX2670) (TRV24E)
112	3-074-538-01	RETAINER, P HARNESS
113	3-713-791-11	SCREW (M1.7X5), TAPPING, P2
SP901	1-529-590-11	SPEAKER (2.0CM)

DCR-TRV24E/TRV25E/TRV27E

6-1-4. LCD SECTION (2.5INCH) (TRV24E/TRV25E)

ns : not supplied



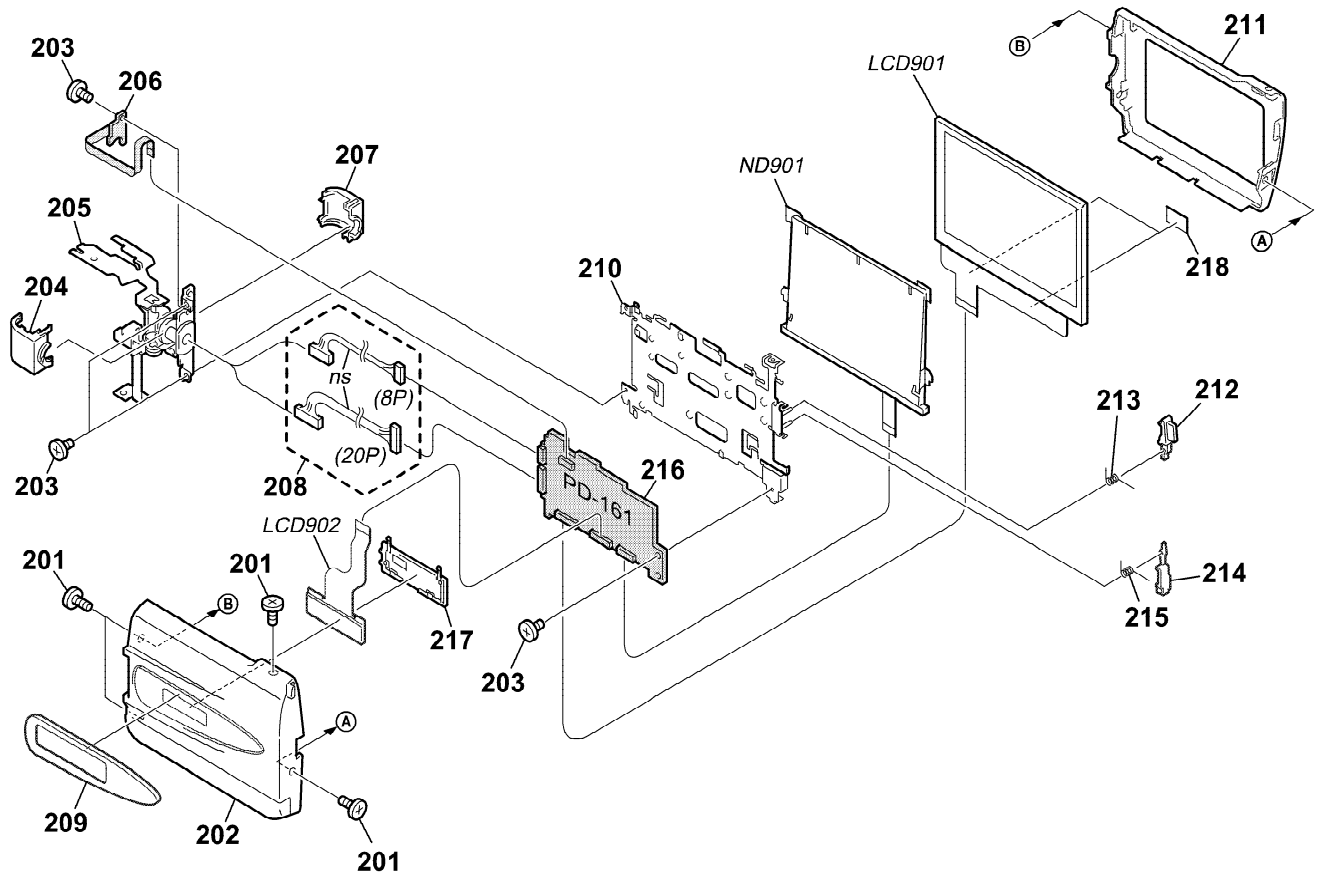
Ref. No.	Part No.	Description
151	3-056-233-21	SCREW (M2), LOCK ACE, P2
152	X-3952-405-1	P CABINET (C) ASSY 2.5
153	4-974-725-01	SCREW (M1.7X2.5), P
154	3-073-468-01	COVER (FRONT), HINGE
155	X-3952-242-2	HINGE ASSY
156	1-684-256-21	FP-442 FLEXIBLE BOARD
157	3-073-469-01	COVER (REAR), HINGE
158	1-961-795-11	HARNESS (PV-138)
159	3-073-488-71	PLATE, P ORNAMENTAL (TRV25E)
159	3-073-488-81	PLATE, P ORNAMENTAL (TRV24E)

Ref. No.	Part No.	Description
160	X-3952-244-1	P FRAME ASSY (2.5)
161	3-073-474-01	P CABINET (M) 2.5
162	3-073-470-01	BUTTON, P OPEN
163	3-073-472-01	SPRING (U), LOCK
164	3-073-471-01	P LOCK
165	3-073-473-01	SPRING (L), LOCK
166	A-7078-106-A	PD-161 (25SH123) BOARD, COMPLETE
167	3-073-467-01	LCD HOLDER
LCD901	1-803-853-21	INDICATOR MODULE LIQUID CRYSTAL
LCD902	A-7096-989-A	INDICATION LCD BLOCK ASSY
△ND901	1-518-798-21	TUBE, FLUORESCENT,COLD CATHODE

Note : The components identified by mark △ or dotted line with mark △ are critical for safety. Replace only with part number specified.

6-1-5. LCD SECTION (3.5INCH) (TRV27E)

ns : not supplied



Ref. No.	Part No.	Description
201	3-056-233-21	SCREW (M2), LOCK AGE, P2
202	X-3952-406-2	P CABINET (C) ASSY 3.5
203	4-974-725-01	SCREW (M1.7X2.5), P
204	3-073-468-01	COVER (FRONT), HINGE
205	X-3952-242-2	HINGE ASSY
206	1-684-256-21	FP-442 FLEXIBLE BOARD
207	3-073-469-01	COVER (REAR), HINGE
208	1-961-796-11	HARNESS (PV-139)
209	3-073-488-51	PLATE, P ORNAMENTAL
210	X-3952-289-1	P FRAME ASSY

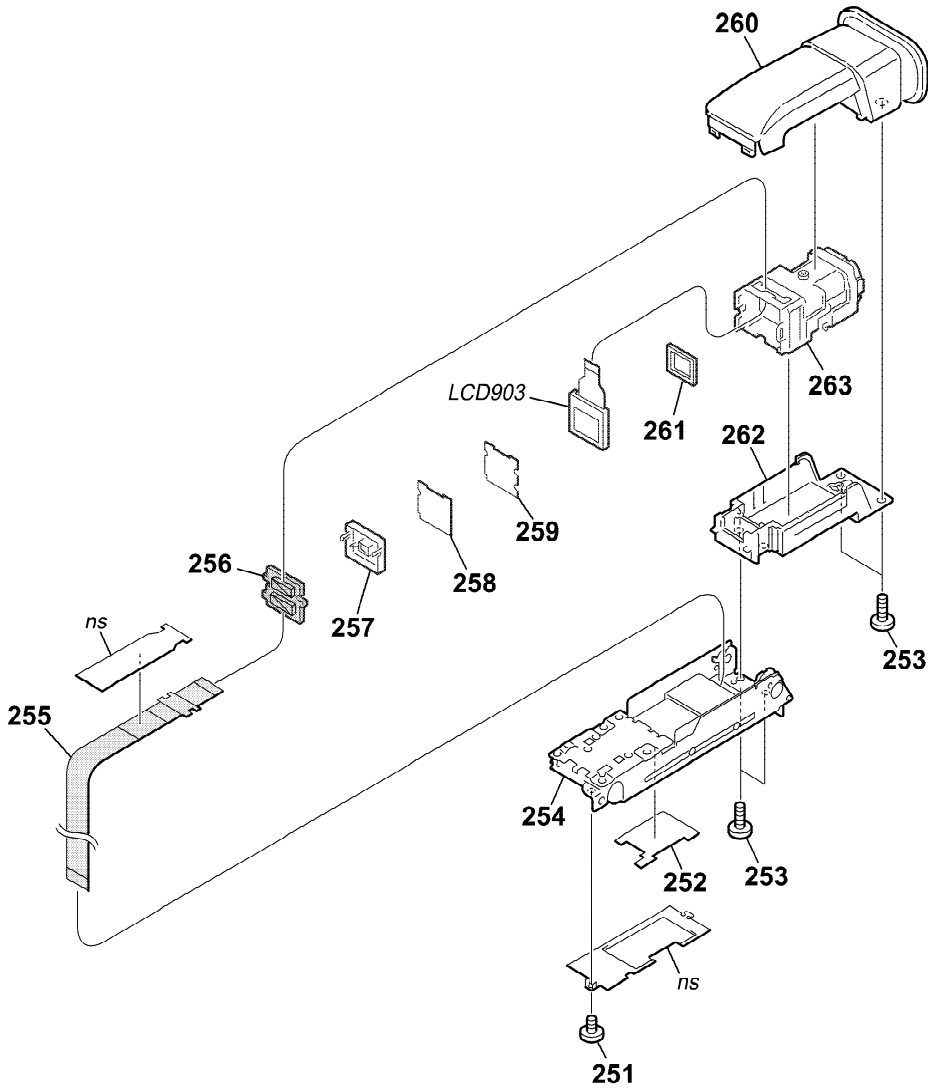
Ref. No.	Part No.	Description
211	3-073-850-01	P CABINET (M) 3.5
212	3-073-470-01	BUTTON, P OPEN
213	3-073-472-01	SPRING (U), LOCK
214	3-073-471-01	P LOCK
215	3-073-473-01	SPRING (L), LOCK
216	A-7012-227-A	PD-161 (35SH123) BOARD, COMPLETE
217	3-073-467-01	LCD HOLDER
218	3-075-395-01	SHEET, P ELECTROSTATIC
LCD901	1-803-855-21	INDICATOR MODULE LIQUID CRYSTAL
LCD902	A-7096-989-A	INDICATION LCD BLOCK ASSY
△ND901	1-517-855-31	TUBE, FLUORESCENT,COLD CATHODE

Note : The components identified by mark △ or dotted line with mark △ are critical for safety. Replace only with part number specified.

DCR-TRV24E/TRV25E/TRV27E

6-1-6. EVF SECTION

ns : not supplied

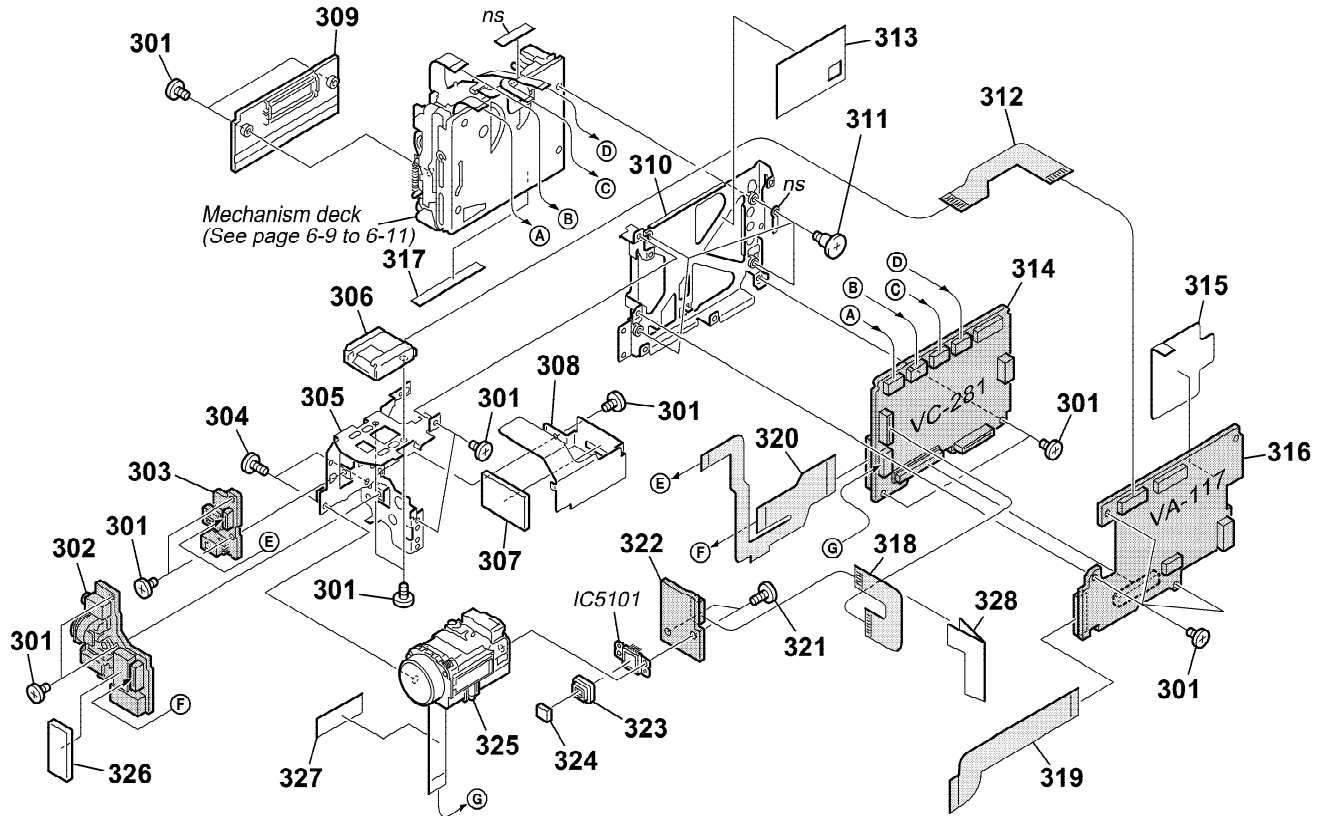


Ref. No.	Part No.	Description
251	4-974-725-01	SCREW (M1.7X2.5), P
252	3-073-454-01	SHEET, VF FLEXIBLE BOARD RETAINER
253	3-713-791-31	SCREW (M1.7X6), TAPPING, P2
254	X-3952-234-1	VF BASE ASSY
255	1-684-249-11	FP-435 FLEXIBLE BOARD
256	A-7078-102-A	LB-077 BOARD, COMPLETE
257	3-072-214-01	GUIDE (20), LAMP

Ref. No.	Part No.	Description
258	3-072-211-01	ILLUMINATOR
259	3-072-210-01	SHEET, PRISM
260	X-3952-235-1	VF CABINET (UPPER) ASSY
261	3-059-734-01	CUSHION (1), LCD
262	X-3952-236-1	VF CABINET (LOWER) ASSY
263	X-3951-453-1	LENS ASSY, VF
LCD903	8-753-028-47	LCX032AN-J

6-1-7. MAIN CHASSIS COMPLETE SECTION

ns : not supplied



Be sure to read "Precautions upon replacing CCD imager" on page 4-9 when changing the CCD imager.

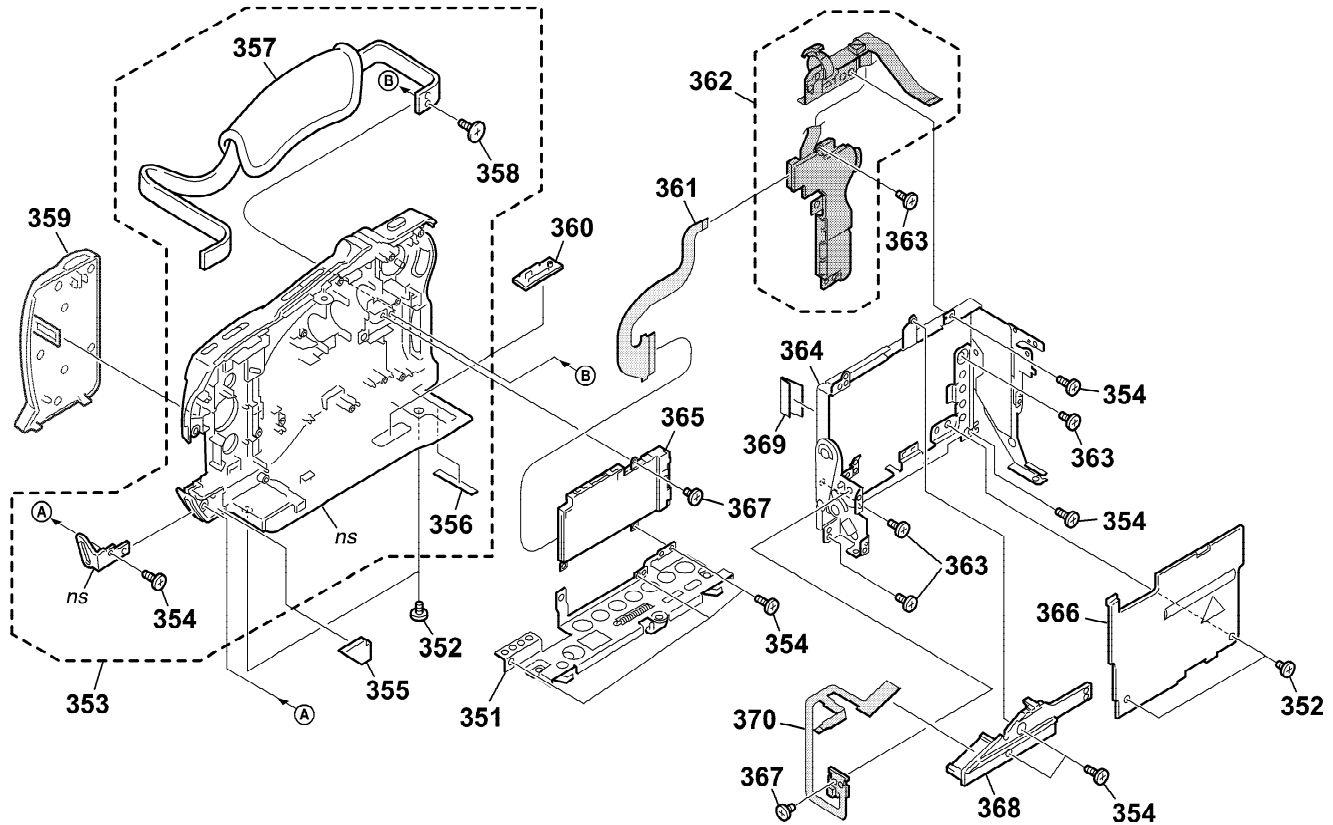
Ref. No.	Part No.	Description
301	4-974-725-01	SCREW (M1.7X2.5), P
302	A-7078-100-A	JK-217 BOARD, COMPLETE
303	A-7078-101-A	JK-218 BOARD, COMPLETE
304	3-713-791-51	SCREW (M1.7X3.5), TAPPING, P2
305	3-073-845-01	FRAME (G), LENS
306	1-815-124-11	CONNECTOR, EXTERNAL (HOT SHOE)
307	3-073-847-01	CD RADIATION SHEET
308	3-073-846-01	CD HEAT SINK
309	3-059-722-01	COVER, CASSETTE COMPARTMENT
310	X-3952-290-1	MD FRAME ASSY (G)
311	3-059-718-01	SCREW (M1.4X1.5)
312	1-684-250-11	FP-436 FLEXIBLE BOARD
313	3-074-611-01	SHEET, HEAT INSULATING
314	A-7078-287-A	VC-281 BOARD, COMPLETE(SERVICE)
314	A-7078-331-A	VC-281 BOARD, COMPLETE(SERVICE)(TRV25E/TRV27E)
		(TRV25E/TRV27E)

Ref. No.	Part No.	Description
315	3-074-613-01	VV SHIELD SHEET
316	A-7012-225-A	VA-117 (GFB) BOARD, COMPLETE
317	3-059-725-01	LABEL, LS
318	1-684-254-11	FP-440 FLEXIBLE BOARD
319	1-684-251-11	FP-437 FLEXIBLE BOARD
320	1-684-259-11	FP-445 FLEXIBLE BOARD
321	3-713-791-41	SCREW (M1.7X5), TAPPING, P2
322	A-7012-226-A	CD-366 BOARD, COMPLETE
323	3-053-973-01	RUBBER (W), SEAL
324	1-758-569-11	FILTER BLOCK, OPTICAL
325	8-848-756-01	DEVICE, LENS LSV-750A
326	3-074-612-01	CUSHION, SENSOR PROTECTION
327	3-831-441-11	TAPE (F)
328	3-074-614-01	SHEET, CD FLEXIBLE BOARD SHIELD
IC5101	A-7031-359-A	CCD BLOCK ASSY (CCD IMAGER)

DCR-TRV24E/TRV25E/TRV27E

6-1-8. CABINET (L) SECTION

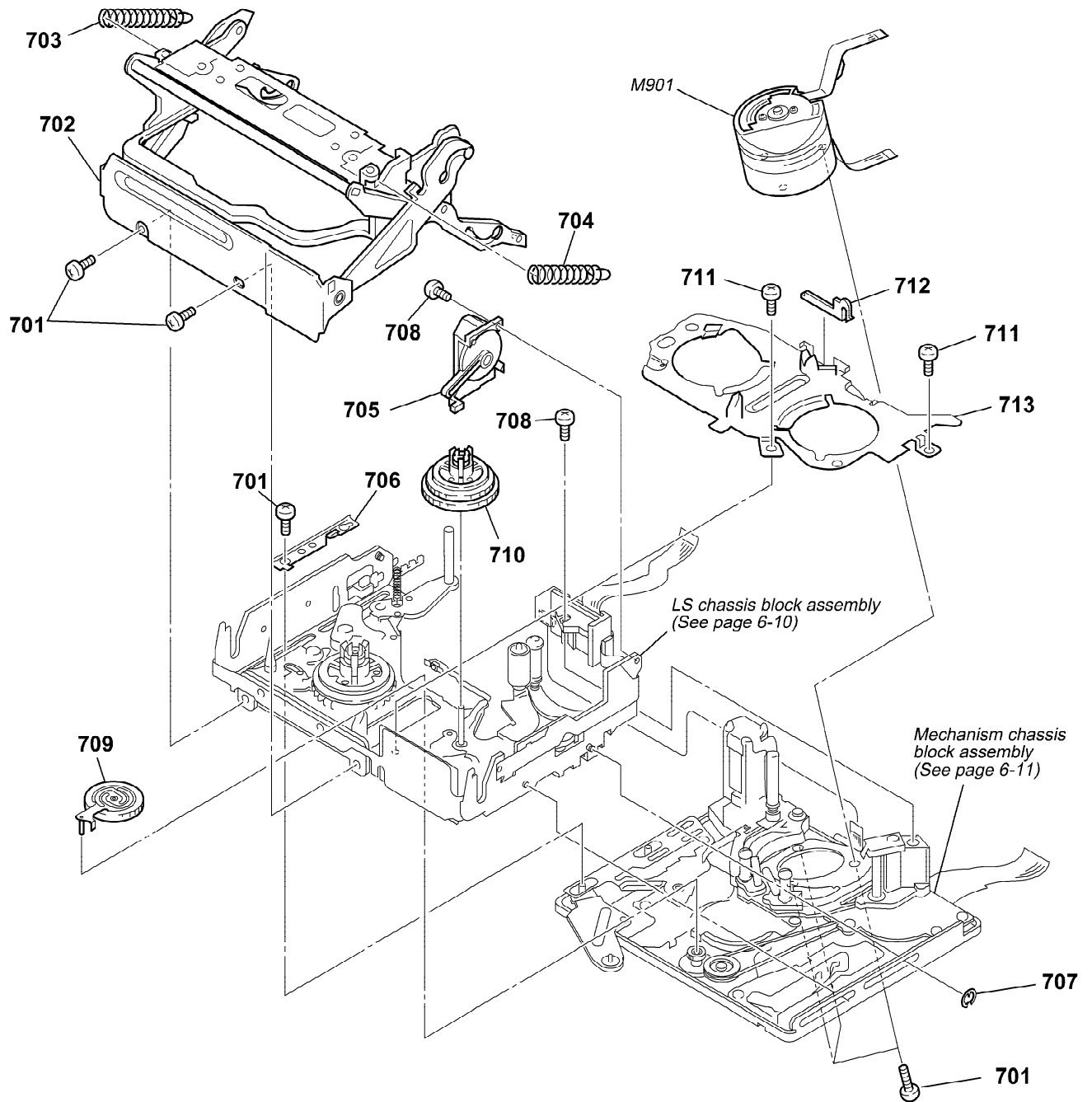
ns : not supplied



Ref. No.	Part No.	Description
351	X-3952-237-1	LOCK ASSY, GRIP
352	3-989-735-91	SCREW (M1.7), LOCK ACE, P2
353	X-3952-416-1	CABINET (L) ASSY (G)
354	3-713-791-11	SCREW (M1.7X5), TAPPING, P2
355	3-074-586-01	CUSHION (2), MUFFLE
* 356	3-055-189-01	FOOT (A)
357	3-061-550-01	BELT, GRIP
358	3-073-686-01	SCREW (M2X2.5)
359	X-3952-230-1	COVER ASSY, JACK
360	3-073-456-01	EJECT KNOB

Ref. No.	Part No.	Description
361	1-684-252-11	FP-438 FLEXIBLE BOARD
362	1-477-148-11	SWITCH BLOCK, CONTROL (PS-CX2670)
363	3-713-791-51	SCREW (M1.7X3.5), TAPPING, P2
364	X-3952-238-1	CS FRAME ASSY
365	1-816-271-11	CONNECTOR, MEMORY STICK 10P
366	3-073-457-01	COVER, GRIP
367	4-974-725-01	SCREW (M1.7X2.5), P
368	3-073-458-01	COVER, ZOOM
369	3-073-928-01	L SHEET
370	1-684-257-21	FP-443 FLEXIBLE BOARD

6-1-9. CASSETTE COMPARTMENT ASSEMBLY, DRUM BLOCK ASSEMBLY



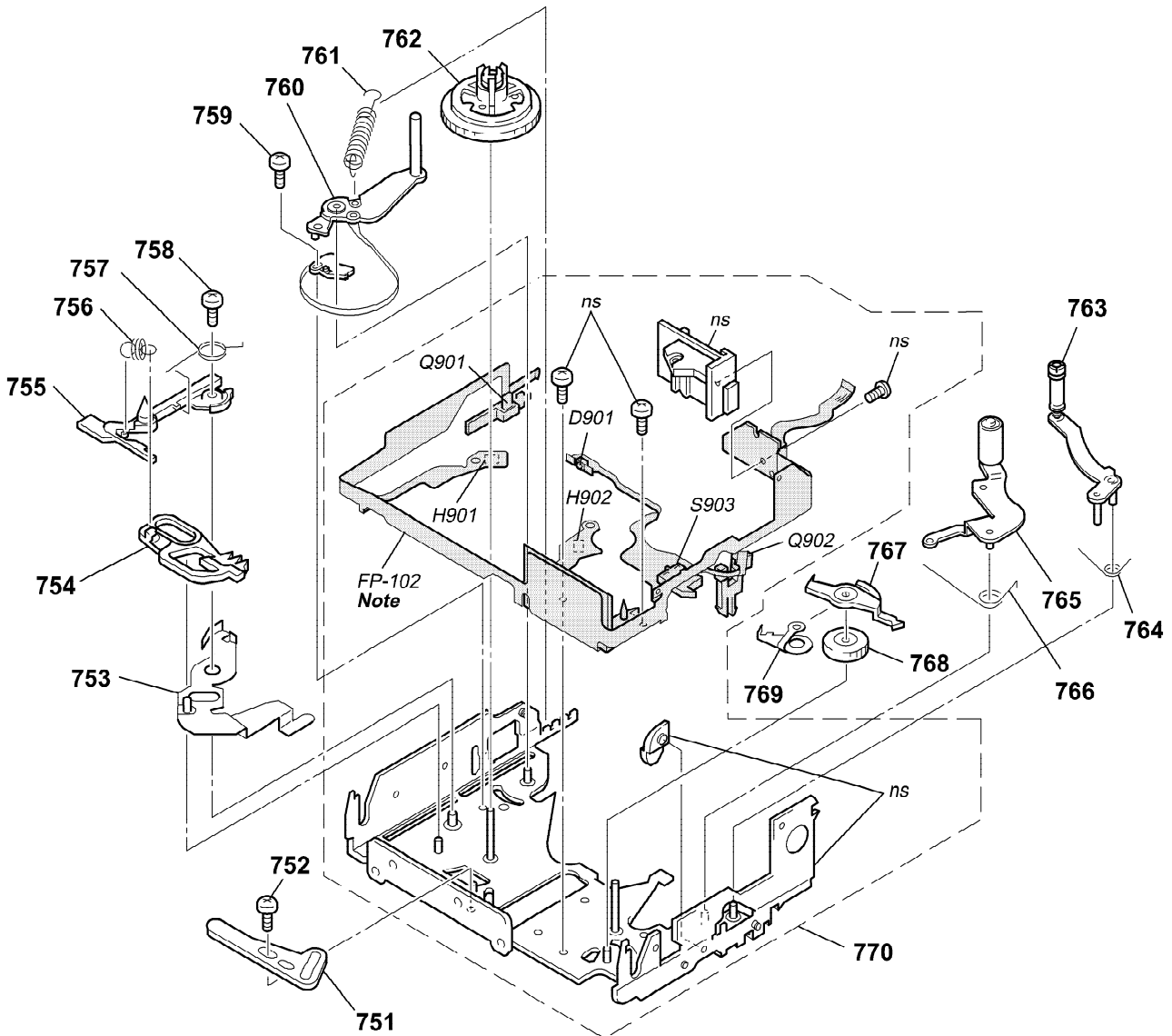
Ref. No.	Part No.	Description
701	3-703-816-14	SCREW (M1.4)
702	X-3952-017-3	CASSETTE COMPARTMENT ASSY
703	3-059-082-01	SPRING, TENSION (CASSETTE COMPARTMENT S)
704	3-059-208-01	SPRING(CASSETTE COMPARTMENT T)
705	X-3950-370-3	DAMPER ASSY
706	3-059-101-03	RETAINER, LS GUIDE
707	7-624-102-04	STOP RING 1.5, TYPE -E

Ref. No.	Part No.	Description
708	3-704-197-21	SCREW (M1.4X2.5), SPECIAL HEAD
709	X-3950-364-1	GEAR ASSY, GOOSENECK
710	X-3950-366-1	TABLE ASSY, T REEL
711	3-075-097-01	SCREW (M1.4X1.4), SPECIAL HEAD
712	3-059-093-01	RETAINER, LED
713	X-3950-361-1	PLATE ASSY, RETAINER
M901	A-7048-940-A	DRUM (DEH-18A-R)

DCR-TRV24E/TRV25E/TRV27E

6-1-10. LS CHASSIS BLOCK ASSEMBLY

ns : not supplied



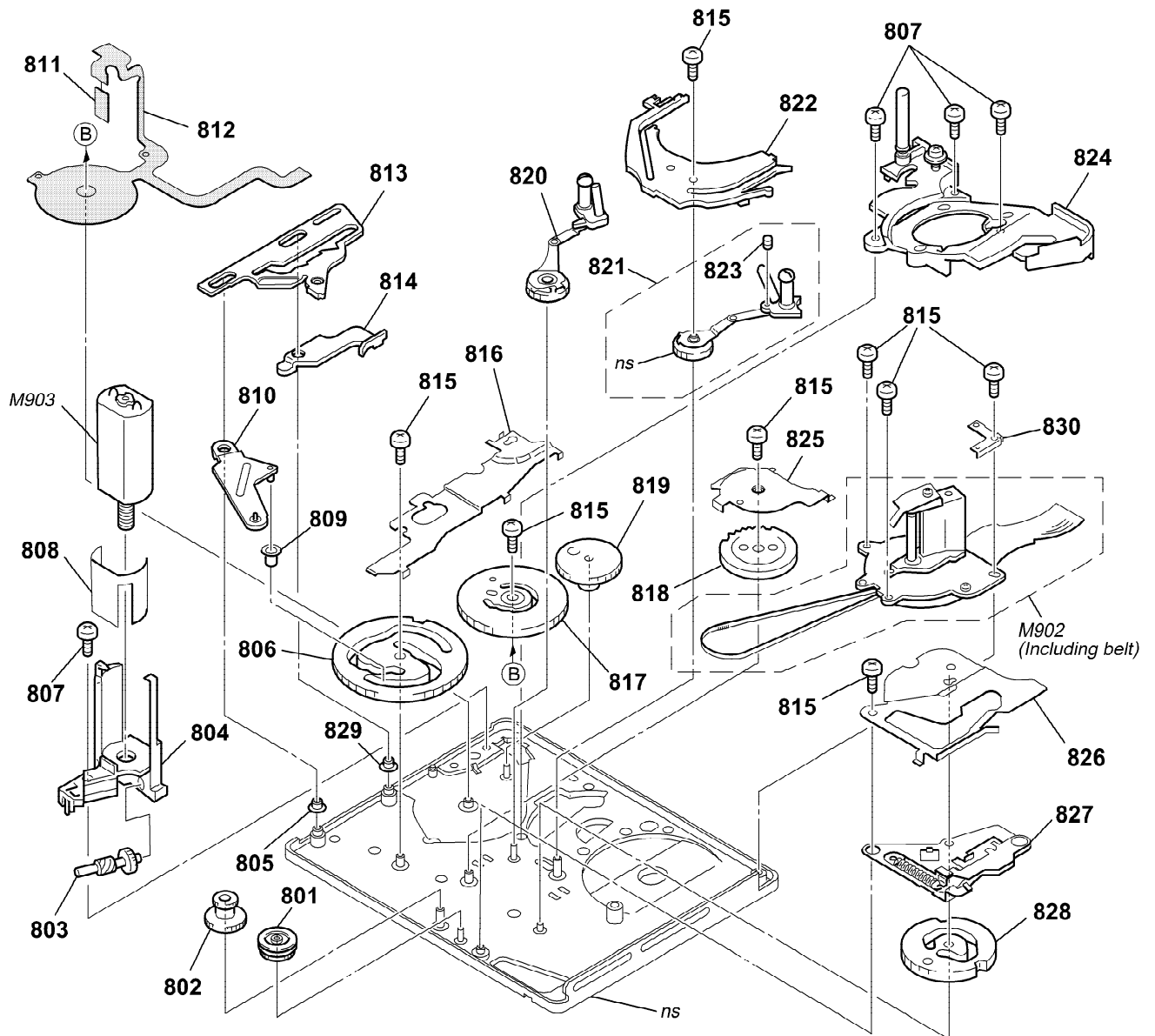
Note: FP-102 is included in the LS sub assy and is attached to chassis by hot-press. Because installation of FP-102 requires a very high accuracy, FP-102 is not supplied as an independent service parts.

Ref. No.	Part No.	Description
751	3-059-173-01	PLATE, LS CAM
752	3-075-097-01	SCREW (M1.4X1.4), SPECIAL HEAD
753	X-3950-371-1	ARM ASSY, BRAKE (S) DRIVING
754	3-059-166-01	BRAKE (S)
755	3-059-146-01	POSITIONING (S), CASSETTE
756	3-059-167-01	SPRING (BRAKE S), TENSION COIL
757	3-059-169-01	SPRING (BRAKE S ARM), TORSION
758	3-703-816-14	SCREW (M1.4)
759	3-059-090-01	SCREW (M1.4X2.5), SPECIAL HEAD
* 760	X-3950-358-4	TG1 ASSY
761	3-059-156-01	SPRING (TENSION REGULATOR)
762	X-3950-365-2	TABLE ASSY, S REEL
763	A-7094-819-A	TG7 BLOCK ASSY

Ref. No.	Part No.	Description
764	3-059-165-01	SPRING (TG7 RETURN), TORSION
765	X-3950-359-1	ARM ASSY, PINCH (O)
766	3-059-161-01	SPRING (PINCH RETURN), TORSION
767	3-059-170-01	BRAKE (T)
768	3-059-171-01	GEAR (T), BRAKE
769	3-059-172-01	SPRING (T), BRAKE
770	A-7094-816-B	LS BLOCK ASSY
D901	8-719-078-71	DIODE LN57A.SO (TAPE LED)
H901	8-719-067-74	ELEMENT, HOLE HW-105A-CDE-T (S REEL)
H902	8-719-067-74	ELEMENT, HOLE HW-105A-CDE-T (T REEL)
Q901	8-729-028-71	TRANSISTOR PN166.SO (TAPE END SENSOR)
Q902	8-729-028-71	TRANSISTOR PN166.SO (TAPE TOP SENSOR)
S903	1-572-288-11	SWITCH, PUSH (C.C.DOWN)

6-1-11. MECHANISM CHASSIS BLOCK ASSEMBLY

ns : not supplied



Ref. No.	Part No.	Description	Ref. No.	Part No.	Description
801	3-059-211-01	GEAR, CONVERSION	817	X-3950-367-1	GEAR ASSY, MODE
802	3-059-220-01	GEAR, RELAY	818	3-059-139-01	GEAR, GL DRIVING
803	3-059-187-01	SHAFT, WORM	819	3-059-188-01	GEAR, DECELERATION
804	3-059-186-02	HOLDER, MOTOR	820	A-7094-818-A	COASTER (S) BLOCK ASSY
805	3-060-002-01	ROLLER, LS GUIDE	821	A-7094-817-A	COASTER (T) BLOCK ASSY
806	3-059-189-01	GEAR (A), CAM	822	3-059-126-01	RAIL, GUIDE
807	3-704-197-21	SCREW (M1.4X2.5), SPECIAL HEAD	823	3-962-914-01	SCREW (M1.4X2)
808	3-059-225-01	SHIELD, MOTOR	824	A-7094-822-A	DRUM BASE BLOCK ASSY
809	3-059-191-01	ROLLER, LS	825	3-059-118-01	COVER (B), GEAR
810	3-059-190-01	ARM, LS	826	3-059-083-01	COVER (C), GEAR
811	1-677-049-11	FP-228 FLEXIBLE BOARD (DEW SENOR)	827	X-3950-368-1	ARM ASSY, PINCH DRIVING
812	1-677-084-11	FP-100 FLEXIBLE BOARD	828	3-059-192-01	GEAR (B), CAM
813	3-059-148-01	ARM, TG1 DRIVING	829	3-063-355-01	ROLLER (S1), LS GUIDE
814	3-059-149-01	SLIDER, TG1 CAM	830	3-065-202-01	SUPPPORT, TG7
815	3-703-816-14	SCREW (M1.4)	M902	8-835-685-01	MOTOR, DC SCD18A/C-NP (INCLUDING BELT)(CAPSTAN)
816	3-059-117-01	COVER (A), GEAR	M903	A-7094-823-A	MOTOR BLOCK ASSY (LOADING)

CD-366

CK-108

6-2. ELECTRICAL PARTS LIST

NOTE:

- Due to standardization, replacements in the parts list may be different from the parts specified in the diagrams or the components used on the set.
- -XX, -X mean standardized parts, so they may have some difference from the original one.
- Items marked "*" are not stocked since they are seldom required for routine service. Some delay should be anticipated when ordering these items.
- CAPACITORS:
uF: μF
- COILS
uH: μH
- RESISTORS
All resistors are in ohms.
METAL: metal-film resistor
METAL OXIDE: Metal Oxide-film resistor
F: nonflammable
- SEMICONDUCTORS
In each case, u: μ, for example:
uA...: μA..., uPA..., μPA...,
uPB..., μPB..., uPC..., μPC...,
uPD..., μPD...

When indicating parts by reference number, please include the board name.

The components identified by mark Δ or dotted line with mark Δ are critical for safety. Replace only with part number specified.

- Abbreviation
EE : East European model
NE : North European model
HK : Hong Kong model
AUS : Australian model
CH : Chinese model
JE : Tourist model

Ref. No.	Part No.	Description
	A-7012-226-A	CD-366 BOARD, COMPLETE ***** (IC5101 is not included in this complete board.)
		< CAPACITOR >
C5101	1-164-004-11	CERAMIC CHIP 0.1uF 10% 25V
C5102	1-107-826-11	CERAMIC CHIP 0.1uF 10% 16V
C5103	1-125-777-11	CERAMIC CHIP 0.1uF 10% 10V
C5105	1-125-777-11	CERAMIC CHIP 0.1uF 10% 10V
C5106	1-107-826-11	CERAMIC CHIP 0.1uF 10% 16V
C5108	1-125-777-11	CERAMIC CHIP 0.1uF 10% 10V
C5110	1-113-987-11	TANTAL. CHIP 4.7uF 20% 25V
C5111	1-104-851-11	TANTAL. CHIP 10uF 20% 10V
C5112	1-107-826-11	CERAMIC CHIP 0.1uF 10% 16V
C5113	1-125-777-11	CERAMIC CHIP 0.1uF 10% 10V
C5114	1-135-259-11	TANTAL. CHIP 10uF 20% 6.3V
C5116	1-125-777-11	CERAMIC CHIP 0.1uF 10% 10V
		< CONNECTOR >
CN5101	1-784-421-11	CONNECTOR, FFC/FPC (ZIF) 27P
CN5102	1-766-336-21	CONNECTOR, FFC/FPC 6P
		< FERRITE BEAD >
FB5101	1-414-445-11	FERRITE 0uH
FB5102	1-500-284-21	FERRITE 0uH
FB5103	1-500-284-21	FERRITE 0uH
		< IC >
IC5101	A-7031-359-A	CCD BLOCK ASSY (CCD IMAGER)
IC5102	6-701-755-01	IC AD80017AJRURL
		< COIL >
L5101	1-469-528-91	INDUCTOR 100uH
L5102	1-469-525-91	INDUCTOR 10uH
		< TRANSISTOR >
Q5101	8-729-037-74	TRANSISTOR UN9213J-(TX).SO
		< RESISTOR >
R5101	1-218-990-11	SHORT CHIP 0
R5102	1-218-990-11	SHORT CHIP 0

Ref. No.	Part No.	Description
	A-7078-105-A	CK-108 BOARD, COMPLETE *****
		< BATTERY >
BT5201	1-756-128-11	BATTERY, LITHIUM (SECONDARY)
		< CONNECTOR >
CN5201	1-573-927-11	CONNECTOR, FFC/FPC 18P
CN5202	1-815-231-11	CONNECTOR, FFC/FPC (ZIF) 40P
CN5203	1-794-997-11	PIN, CONNECTOR 20P
CN5204	1-794-377-21	PIN, CONNECTOR 8P
CN5205	1-778-506-21	PIN, CONNECTOR (PC BOARD) 2P
CN5207	1-691-346-11	CONNECTOR, FFC/FPC (ZIF) 8P
		< DIODE >
D5201	8-719-062-16	DIODE 01ZA8.2(TPL3)
D5203	8-719-056-85	DIODE UDZSTE-178.2B
D5204	8-719-062-16	DIODE 01ZA8.2(TPL3)
D5205	8-719-062-16	DIODE 01ZA8.2(TPL3)
D5206	8-719-062-16	DIODE 01ZA8.2(TPL3)
		< RESISTOR >
R5201	1-218-953-11	RES-CHIP 1K 5% 1/16W
R5206	1-218-954-11	RES-CHIP 1.2K 5% 1/16W
R5207	1-218-954-11	RES-CHIP 1.2K 5% 1/16W
R5208	1-218-954-11	RES-CHIP 1.2K 5% 1/16W
R5209	1-218-954-11	RES-CHIP 1.2K 5% 1/16W
R5210	1-218-955-11	RES-CHIP 1.5K 5% 1/16W
R5211	1-218-955-11	RES-CHIP 1.5K 5% 1/16W
R5212	1-218-955-11	RES-CHIP 1.5K 5% 1/16W
R5213	1-218-955-11	RES-CHIP 1.5K 5% 1/16W
R5214	1-218-957-11	RES-CHIP 2.2K 5% 1/16W
R5215	1-218-957-11	RES-CHIP 2.2K 5% 1/16W
R5216	1-218-957-11	RES-CHIP 2.2K 5% 1/16W
R5217	1-218-957-11	RES-CHIP 2.2K 5% 1/16W
R5218	1-218-960-11	RES-CHIP 3.9K 5% 1/16W
R5219	1-218-960-11	RES-CHIP 3.9K 5% 1/16W
R5220	1-218-960-11	RES-CHIP 3.9K 5% 1/16W
R5221	1-218-964-11	RES-CHIP 8.2K 5% 1/16W
R5222	1-218-960-11	RES-CHIP 3.9K 5% 1/16W
R5223	1-218-964-11	RES-CHIP 8.2K 5% 1/16W
R5224	1-218-964-11	RES-CHIP 8.2K 5% 1/16W

Be sure to read "Precautions upon replacing CCD imager" on page 4-9 when changing the CCD imager.

CK-108

FB-219

JK-217

JK-218

LB-077

Ref. No.	Part No.	Description			
R5225	1-218-970-11	RES-CHIP	27K	5%	1/16W
R5226	1-218-964-11	RES-CHIP	8.2K	5%	1/16W
R5227	1-218-990-11	SHORT CHIP	0		
R5228	1-218-990-11	SHORT CHIP	0		
< SWITCH >					
S5201	1-786-157-11	SWITCH, TACTILE (STOP)			
S5202	1-786-157-11	SWITCH, TACTILE (REW)			
S5203	1-786-157-11	SWITCH, TACTILE (RESET)			
S5204	1-786-157-11	SWITCH, TACTILE (PLAY)			
S5205	1-786-157-11	SWITCH, TACTILE (FF)			
S5206	1-786-157-11	SWITCH, TACTILE (PAUSE)			
S5207	1-786-148-11	SWITCH, PUSH (1 KEY)(PANEL OPEN/CLOSE)			
A-7078-103-A FB-219 BOARD, COMPLETE *****					
< CONNECTOR >					
CN6001	1-779-327-11	CONNECTOR, FFC/FPC 6P			
< DIODE >					
D6001	8-719-074-30	DIODE SML-310LTT86			
< PHOTO INTERRUPTER >					
PH6001	8-749-016-83	IC GP1S092HCPI			
PH6002	8-749-016-83	IC GP1S092HCPI			
< RESISTOR >					
R6001	1-218-990-11	SHORT CHIP	0		
R6002	1-218-951-11	RES-CHIP	680	5%	1/16W
R6003	1-218-947-11	RES-CHIP	330	5%	1/16W
A-7078-100-A JK-217 BOARD, COMPLETE *****					
< CONNECTOR >					
CN5305	1-779-334-11	CONNECTOR, FFC/FPC 20P			
< DIODE >					
D5301	8-719-056-85	DIODE UDZSTE-178.2B			
D5302	8-719-062-16	DIODE 01ZA8.2(TPL3)			
< FERRITE BEAD >					
FB5301	1-500-444-11	FERRITE	0uH		
FB5302	1-469-179-21	FERRITE	0uH		
FB5303	1-469-179-21	FERRITE	0uH		
FB5304	1-469-179-21	FERRITE	0uH		
FB5305	1-469-179-21	FERRITE	0uH		
FB5307	1-500-444-11	FERRITE	0uH		
FB5308	1-500-444-11	FERRITE	0uH		
FB5309	1-500-444-11	FERRITE	0uH		
FB5310	1-500-444-11	FERRITE	0uH		
< JACK >					
J5301	1-793-995-11	JACK, SUPER SMALL TYPE (LANC)			
J5302	1-694-651-11	TERMINAL BOARD (S VIDEO/AUDIO/VIDEO)			

Ref. No.	Part No.	Description			
< RESISTOR >					
R5301	1-216-864-11	METAL CHIP	0	5%	1/16W
R5302	1-216-864-11	METAL CHIP	0	5%	1/16W
R5303	1-216-864-11	METAL CHIP	0	5%	1/16W
R5304	1-216-864-11	METAL CHIP	0	5%	1/16W
R5305	1-216-864-11	METAL CHIP	0	5%	1/16W
< SENSOR >					
SE5301	1-803-042-31	SENSOR, ANGULAR VELOCITY (YAW)			
SE5302	1-803-042-41	SENSOR, ANGULAR VELOCITY (PITCH)			
< VARISTOR >					
VD5301	1-803-974-21	VARISTOR, CHIP			
VD5302	1-801-923-11	VARISTOR, CHIP			
VD5303	1-803-974-21	VARISTOR, CHIP			
VD5304	1-803-974-21	VARISTOR, CHIP			
VD5305	1-803-974-21	VARISTOR, CHIP			
VD5306	1-803-974-21	VARISTOR, CHIP			
A-7078-101-A JK-218 BOARD, COMPLETE *****					
< CONNECTOR >					
CN5351	1-794-962-11	CONNECTOR, SQUARE TYPE(USB 5P)(USB)			
CN5352	1-794-276-11	CONNECTOR, SQUARE TYPE 4P (DV IN/OUT)			
CN5353	1-779-330-21	CONNECTOR, FFC/FPC 12P			
< DIODE >					
D5351	8-719-062-16	DIODE 01ZA8.2(TPL3)			
D5352	8-719-056-85	DIODE UDZSTE-178.2B			
D5353	8-719-056-85	DIODE UDZSTE-178.2B			
D5354	8-719-078-02	DIODE 1SS357(T3SONY1)			
< LINE FILTER >					
LF5351	1-419-100-21	INDUCTOR	0uH		
LF5352	1-419-100-21	INDUCTOR	0uH		
< RESISTOR >					
R5351	1-218-965-11	RES-CHIP	10K	5%	1/16W
R5352	1-218-965-11	RES-CHIP	10K	5%	1/16W
< SWITCH >					
S5351	1-786-227-21	SWITCH, TACTILE (SUPER NS)			
A-7078-102-A LB-077 BOARD, COMPLETE *****					
< CAPACITOR >					
C6101	1-125-777-11	CERAMIC CHIP	0.1uF	10%	10V
C6102	1-164-505-11	CERAMIC CHIP	2.2uF		16V
< CONNECTOR >					
CN6101	1-691-358-21	CONNECTOR, FFC/FPC (ZIF) 20P			
CN6102	1-691-354-21	CONNECTOR, FFC/FPC (ZIF) 16P			

DCR-TRV24E/TRV25E/TRV27E

LB-077

MA-409

PD-161

Ref. No.	Part No.	Description
		< DIODE >
D6102	8-719-082-33	DIODE NSCW100-T39
		< IC >
IC6101	8-759-581-11	IC NJM2125F(TE2)
		< TRANSISTOR >
Q6101	8-729-054-48	TRANSISTOR RN4983FE(TPLR3)
Q6102	8-729-054-48	TRANSISTOR N1B04FE-Y/GR(TPLR3)
		< RESISTOR >
R6102	1-208-941-11	METAL CHIP 180K 0.5% 1/16W
R6103	1-208-719-11	METAL CHIP 33K 0.5% 1/16W
R6104	1-218-959-11	RES-CHIP 3.3K 5% 1/16W
R6105	1-216-839-11	METAL CHIP 33K 5% 1/16W
R6106	1-211-977-11	METAL CHIP 22 0.5% 1/10W
		< THERMISTOR >
TH6101	1-810-811-11	THERMISTOR, NTC (1608)
	A-7078-104-A	MA-409 BOARD, COMPLETE *****
		< CAPACITOR >
C5901	1-162-970-11	CERAMIC CHIP 0.01uF 10% 25V
C5902	1-117-919-11	TANTAL. CHIP 10uF 20% 6.3V
		< CONNECTOR >
CN5901	1-816-232-11	PIN, CONNECTOR (PC BOARD) 4P
CN5902	1-779-336-11	CONNECTOR, FFC/FPC 24P
CN5903	1-779-328-21	CONNECTOR, FFC/FPC 8P
		< DIODE >
D5901	8-719-067-44	DIODE CL-310IRS-X-TU
D5902	8-719-067-44	DIODE CL-310IRS-X-TU
D5903	8-719-016-74	DIODE 1SS352-TPH3
D5905	8-719-056-85	DIODE UDZSTE-178.2B
		< FERRITE BEAD >
FB5901	1-500-444-11	FERRITE 0uH
FB5902	1-500-444-11	FERRITE 0uH
FB5903	1-500-444-11	FERRITE 0uH
FB5904	1-500-444-11	FERRITE 0uH
		< IC >
IC5901	8-742-221-00	HYB IC SBX3055-01
		< JACK >
J5901	1-691-737-41	JACK (SMALL TYPE) (MIC(PLUG IN POWER))
J5902	1-569-950-41	JACK (SMALL TYPE) (HEADPHONES)
		< RESISTOR >
R5901	1-216-805-11	METAL CHIP 47 5% 1/16W

Ref. No.	Part No.	Description
		< VARISTOR >
VD5901	1-801-862-11	VARISTOR, CHIP
VD5902	1-801-862-11	VARISTOR, CHIP
VD5903	1-801-862-11	VARISTOR, CHIP
VD5904	1-801-862-11	VARISTOR, CHIP
	A-7078-106-A	PD-161 (25SH123) BOARD, COMPLETE (TRV24E/TRV25E) *****
	A-7012-227-A	PD-161 (35SH123) BOARD, COMPLETE (TRV27E) *****
		< CAPACITOR >
C5501	1-117-920-11	TANTAL. CHIP 10uF 20% 6.3V
C5504	1-164-943-11	CERAMIC CHIP 0.01uF 10% 16V
C5505	1-164-943-11	CERAMIC CHIP 0.01uF 10% 16V
C5506	1-164-943-11	CERAMIC CHIP 0.01uF 10% 16V
C5507	1-164-943-11	CERAMIC CHIP 0.01uF 10% 16V
C5508	1-125-777-11	CERAMIC CHIP 0.1uF 10% 10V
C5509	1-135-177-21	TANTALUM CHIP 1uF 20% 20V
C5510	1-164-943-11	CERAMIC CHIP 0.01uF 10% 16V
C5511	1-164-739-11	CERAMIC CHIP 560PF 5% 50V
C5512	1-125-777-11	CERAMIC CHIP 0.1uF 10% 10V
C5513	1-164-943-11	CERAMIC CHIP 0.01uF 10% 16V
C5514	1-117-920-11	TANTAL. CHIP 10uF 20% 6.3V
C5515	1-162-964-11	CERAMIC CHIP 0.001uF 10% 50V
C5516	1-164-870-11	CERAMIC CHIP 68PF 5% 50V (TRV24E/TRV25E)
C5516	1-164-874-11	CERAMIC CHIP 100PF 5% 50V (TRV27E)
C5517	1-107-826-11	CERAMIC CHIP 0.1uF 10% 16V
C5518	1-107-826-11	CERAMIC CHIP 0.1uF 10% 16V
C5519	1-107-826-11	CERAMIC CHIP 0.1uF 10% 16V
C5520	1-131-615-11	TANTAL. CHIP 6.8uF 20% 16V
C5521	1-127-573-11	CERAMIC CHIP 1uF 10% 16V
C5524	1-127-573-11	CERAMIC CHIP 1uF 10% 16V
C5527	1-164-943-11	CERAMIC CHIP 0.01uF 10% 16V
C5528	1-135-177-21	TANTALUM CHIP 1uF 20% 20V
C5530	1-164-943-11	CERAMIC CHIP 0.01uF 10% 16V
C5531	1-164-943-11	CERAMIC CHIP 0.01uF 10% 16V
C5603	1-164-657-11	CERAMIC CHIP 0.015uF 10% 50V
C5604	1-125-777-11	CERAMIC CHIP 0.1uF 10% 10V
C5605	1-125-777-11	CERAMIC CHIP 0.1uF 10% 10V
△C5606	1-131-959-91	CERAMIC CHIP 12PF 10% 3KV
C5607	1-115-566-11	CERAMIC CHIP 4.7uF 10% 10V
		< CONNECTOR >
CN5501	1-573-364-11	CONNECTOR, FFC/FPC 24P
CN5601	1-764-709-11	CONNECTOR, FFC/FPC (LIF) 10P
CN5651	1-794-377-21	PIN, CONNECTOR 8P
CN5652	1-794-997-11	PIN, CONNECTOR 20P
CN5653	1-691-370-11	CONNECTOR, FFC/FPC 6P
CN5654	1-691-384-11	CONNECTOR, FFC/FPC 20P

Note : The components identified by mark △ or dotted line with mark △ are critical for safety. Replace only with part number specified.

Ref. No.	Part No.	Description
		< DIODE >
D5502	8-719-084-47	DIODE 1SV290(TPL3)
D5503	8-719-073-01	DIODE MA111-(K8).SO
D5601	8-719-073-01	DIODE MA111-(K8).SO
D5602	8-719-062-44	DIODE PG1112H-TR (TRV24E/TRV25E)
		< FERRITE BEAD >
FB5501	1-414-760-21	FERRITE 0uH
FB5502	1-414-760-21	FERRITE 0uH
FB5503	1-414-760-21	FERRITE 0uH
		< IC >
IC5501	8-752-102-40	IC CXA3592R-T4
IC5502	8-759-714-77	IC LZ9FF474
IC5601	8-759-564-49	IC TC7W53FU(TE12R)
IC5602	8-759-075-70	IC TA75S393F-TE85R
IC5651	8-759-573-02	IC BU9735K-E2
		< COIL >
L5501	1-469-555-21	INDUCTOR 10uH
L5503	1-469-891-21	INDUCTOR 6.8uH
L5601	1-428-878-11	INDUCTOR 0uH
		< TRANSISTOR >
Q5502	8-729-041-23	TRANSISTOR MGSF1P02LT1
Q5503	8-759-054-48	TRANSISTOR UP04601008S0
Q5504	8-759-054-48	TRANSISTOR UP04601008S0
Q5505	8-729-037-74	TRANSISTOR UN9213J-(K8).SO
Q5601	8-729-037-74	TRANSISTOR UN9213J-(K8).SO
Q5603	8-729-054-45	TRANSISTOR UP04312008S0
Q5605	6-550-065-01	TRANSISTOR CPH5504-TL-E
		< RESISTOR >
R5501	1-218-985-11	RES-CHIP 470K 5% 1/16W
R5503	1-208-931-11	METAL CHIP 68K 0.5% 1/16W
R5505	1-218-967-11	RES-CHIP 15K 5% 1/16W
R5506	1-218-958-11	RES-CHIP 2.7K 5% 1/16W
R5507	1-218-973-11	RES-CHIP 47K 5% 1/16W
R5508	1-218-975-11	RES-CHIP 68K 5% 1/16W
R5509	1-218-969-11	RES-CHIP 22K 5% 1/16W
R5510	1-218-975-11	RES-CHIP 68K 5% 1/16W
R5511	1-218-989-11	RES-CHIP 1M 5% 1/16W
R5512	1-218-977-11	RES-CHIP 100K 5% 1/16W
R5513	1-218-989-11	RES-CHIP 1M 5% 1/16W
R5515	1-218-990-11	SHORT CHIP 0
R5516	1-218-965-11	RES-CHIP 10K 5% 1/16W
R5519	1-218-990-11	SHORT CHIP 0
R5521	1-218-973-11	RES-CHIP 47K 5% 1/16W
R5523	1-218-990-11	SHORT CHIP 0
R5531	1-218-980-11	RES-CHIP 180K 5% 1/16W
R5532	1-218-977-11	RES-CHIP 100K 5% 1/16W
R5533	1-218-989-11	RES-CHIP 1M 5% 1/16W
R5534	1-218-953-11	RES-CHIP 1K 5% 1/16W
R5540	1-218-977-11	RES-CHIP 100K 5% 1/16W
R5541	1-218-977-11	RES-CHIP 100K 5% 1/16W
R5552	1-218-957-11	RES-CHIP 2.2K 5% 1/16W
R5552	1-218-962-11	RES-CHIP 5.6K 5% 1/16W (TRV24E/TRV25E)
R5591	1-218-953-11	RES-CHIP 1K 5% 1/16W (TRV27E)

Ref. No.	Part No.	Description
R5601	1-216-055-00	METAL CHIP 1.8K 5% 1/10W
R5602	1-218-980-11	RES-CHIP 180K 5% 1/16W
R5603	1-218-969-11	RES-CHIP 22K 5% 1/16W
R5605	1-218-942-11	RES-CHIP 120 5% 1/16W
R5606	1-218-969-11	RES-CHIP 22K 5% 1/16W
R5607	1-218-949-11	RES-CHIP 470 5% 1/16W
R5612	1-218-965-11	RES-CHIP 10K 5% 1/16W
R5613	1-218-965-11	RES-CHIP 10K 5% 1/16W (TRV24E/TRV25E)
R5613	1-218-968-11	RES-CHIP 18K 5% 1/16W (TRV27E)
R5651	1-218-946-11	RES-CHIP 270 5% 1/16W
R5652	1-218-987-11	RES-CHIP 680K 5% 1/16W
		< COMPOSITION CIRCUIT BLOCK >
RB5501	1-234-372-21	RES, NETWORK 100X4 (1005)
RB5502	1-234-384-11	RES, NETWORK 1MX4 (1005)
RB5503	1-234-378-21	RES, NETWORK 10KX4 (1005)
		< TRANSFORMER >
△T5601	1-435-786-31	TRANSFORMER, INVERTER (TRV24E/TRV25E)
△T5601	1-437-472-11	TRANSFORMER, INVERTER (TRV27E)
		< VARISTOR >
VD5651	1-801-862-11	VARISTOR, CHIP
	A-7012-225-A	VA-117 (GFB) BOARD, COMPLETE *****
		< CAPACITOR >
C4001	1-125-777-11	CERAMIC CHIP 0.1uF 10% 10V
C4002	1-125-777-11	CERAMIC CHIP 0.1uF 10% 10V
C4003	1-125-777-11	CERAMIC CHIP 0.1uF 10% 10V
C4101	1-164-943-11	CERAMIC CHIP 0.01uF 10% 16V
C4103	1-164-677-11	CERAMIC CHIP 0.033uF 10% 16V
C4104	1-115-467-11	CERAMIC CHIP 0.22uF 10% 10V
C4105	1-125-837-91	CERAMIC CHIP 1uF 10% 6.3V
C4106	1-125-837-91	CERAMIC CHIP 1uF 10% 6.3V
C4107	1-164-943-11	CERAMIC CHIP 0.01uF 10% 16V
C4108	1-125-838-11	CERAMIC CHIP 2.2uF 10% 6.3V
C4109	1-125-838-11	CERAMIC CHIP 2.2uF 10% 6.3V
C4110	1-125-838-11	CERAMIC CHIP 2.2uF 10% 6.3V
C4111	1-135-259-11	TANTAL. CHIP 10uF 20% 6.3V
C4112	1-125-837-91	CERAMIC CHIP 1uF 10% 6.3V
C4113	1-164-943-11	CERAMIC CHIP 0.01uF 10% 16V
C4114	1-125-837-91	CERAMIC CHIP 1uF 10% 6.3V
C4115	1-164-943-11	CERAMIC CHIP 0.01uF 10% 16V
C4116	1-125-777-11	CERAMIC CHIP 0.1uF 10% 10V
C4117	1-125-838-11	CERAMIC CHIP 2.2uF 10% 6.3V
C4118	1-164-943-11	CERAMIC CHIP 0.01uF 10% 16V
C4119	1-164-943-11	CERAMIC CHIP 0.01uF 10% 16V
C4120	1-125-899-11	TANTAL. CHIP 220uF 20% 4V
C4121	1-125-838-11	CERAMIC CHIP 2.2uF 10% 6.3V
C4122	1-125-899-11	TANTAL. CHIP 220uF 20% 4V
C4123	1-135-259-11	TANTAL. CHIP 10uF 20% 6.3V

Note : The components identified by mark △ or dotted line with mark △ are critical for safety. Replace only with part number specified.

DCR-TRV24E/TRV25E/TRV27E

VA-117

Ref. No.	Part No.	Description				Ref. No.	Part No.	Description			
C4125	1-164-858-11	CERAMIC CHIP	22PF	5%	50V	C4425	1-164-943-11	CERAMIC CHIP	0.01uF	10%	16V
C4201	1-115-566-11	CERAMIC CHIP	4.7uF	10%	10V	C4426	1-164-943-11	CERAMIC CHIP	0.01uF	10%	16V
C4204	1-164-943-11	CERAMIC CHIP	0.01uF	10%	16V	C4427	1-164-943-11	CERAMIC CHIP	0.01uF	10%	16V
C4205	1-164-943-11	CERAMIC CHIP	0.01uF	10%	16V	C4428	1-164-942-11	CERAMIC CHIP	0.0068uF	10%	16V
C4206	1-164-943-11	CERAMIC CHIP	0.01uF	10%	16V	C4429	1-164-942-11	CERAMIC CHIP	0.0068uF	10%	16V
C4208	1-164-943-11	CERAMIC CHIP	0.01uF	10%	16V	C4430	1-164-943-11	CERAMIC CHIP	0.01uF	10%	16V
C4209	1-164-739-11	CERAMIC CHIP	560PF	5%	50V	C4432	1-104-847-11	TANTAL. CHIP	22uF	20%	4V
C4210	1-125-777-11	CERAMIC CHIP	0.1uF	10%	10V	C4433	1-164-943-11	CERAMIC CHIP	0.01uF	10%	16V
C4211	1-131-861-91	TANTAL. CHIP	4.7uF	20%	20V	C4434	1-125-837-91	CERAMIC CHIP	1uF	10%	6.3V
C4212	1-162-964-11	CERAMIC CHIP	0.001uF	10%	50V	C4435	1-119-923-81	CERAMIC CHIP	0.047uF	10%	10V
C4213	1-164-943-11	CERAMIC CHIP	0.01uF	10%	16V	C4437	1-119-923-81	CERAMIC CHIP	0.047uF	10%	10V
C4214	1-164-876-11	CERAMIC CHIP	120PF	5%	50V	C4501	1-164-941-11	CERAMIC CHIP	0.0047uF	10%	16V
C4215	1-125-837-91	CERAMIC CHIP	1uF	10%	6.3V	C4502	1-164-882-11	CERAMIC CHIP	220PF	5%	16V
C4216	1-125-837-91	CERAMIC CHIP	1uF	10%	6.3V	C4503	1-125-777-11	CERAMIC CHIP	0.01uF	10%	10V
C4217	1-125-837-91	CERAMIC CHIP	1uF	10%	6.3V	C4504	1-119-923-81	CERAMIC CHIP	0.047uF	10%	10V
C4218	1-109-994-11	CERAMIC CHIP	2.2uF	10%	10V	C4505	1-125-777-11	CERAMIC CHIP	0.1uF	10%	10V
C4219	1-164-505-11	CERAMIC CHIP	2.2uF		16V	C4506	1-125-777-11	CERAMIC CHIP	0.1uF	10%	10V
C4302	1-125-837-91	CERAMIC CHIP	1uF	10%	6.3V	C4507	1-164-943-11	CERAMIC CHIP	0.01uF	10%	16V
C4303	1-125-837-91	CERAMIC CHIP	1uF	10%	6.3V	C4508	1-164-941-11	CERAMIC CHIP	0.0047uF	10%	16V
C4304	1-125-837-91	CERAMIC CHIP	1uF	10%	6.3V	C4509	1-164-936-11	CERAMIC CHIP	680PF	10%	50V
C4305	1-135-259-11	TANTAL. CHIP	10uF	20%	6.3V	C4510	1-164-941-11	CERAMIC CHIP	0.0047uF	10%	16V
C4306	1-125-837-91	CERAMIC CHIP	1uF	10%	6.3V	C4511	1-164-938-11	CERAMIC CHIP	0.0015uF	10%	50V
C4307	1-125-837-91	CERAMIC CHIP	1uF	10%	6.3V	C4512	1-164-939-11	CERAMIC CHIP	0.0022uF	10%	50V
C4308	1-125-837-91	CERAMIC CHIP	1uF	10%	6.3V	C4513	1-164-937-11	CERAMIC CHIP	0.001uF	10%	50V
C4309	1-125-777-11	CERAMIC CHIP	0.1uF	10%	10V	C4515	1-164-935-11	CERAMIC CHIP	470PF	10%	50V
C4310	1-125-777-11	CERAMIC CHIP	0.1uF	10%	10V	C4516	1-164-937-11	CERAMIC CHIP	0.001uF	10%	50V
C4311	1-135-259-11	TANTAL. CHIP	10uF	20%	6.3V	C4517	1-164-937-11	CERAMIC CHIP	0.001uF	10%	50V
C4312	1-164-943-11	CERAMIC CHIP	0.01uF	10%	16V	C4518	1-164-937-11	CERAMIC CHIP	0.001uF	10%	50V
C4314	1-164-943-11	CERAMIC CHIP	0.01uF	10%	16V	C4519	1-164-937-11	CERAMIC CHIP	0.001uF	10%	50V
C4315	1-125-837-91	CERAMIC CHIP	1uF	10%	6.3V	C4520	1-164-937-11	CERAMIC CHIP	0.001uF	10%	50V
C4316	1-135-158-21	TANTALUM CHIP	15uF	20%	4V	C4521	1-115-566-11	CERAMIC CHIP	4.7uF	10%	10V
C4317	1-125-837-91	CERAMIC CHIP	1uF	10%	6.3V	C4522	1-115-566-11	CERAMIC CHIP	4.7uF	10%	10V
C4318	1-135-259-11	TANTAL. CHIP	10uF	20%	6.3V	C4523	1-115-566-11	CERAMIC CHIP	4.7uF	10%	10V
C4319	1-135-151-21	TANTALUM CHIP	4.7uF	20%	4V	C4525	1-104-851-11	TANTAL. CHIP	10uF	20%	10V
C4320	1-135-259-11	TANTAL. CHIP	10uF	20%	6.3V	C4526	1-115-566-11	CERAMIC CHIP	4.7uF	10%	10V
C4321	1-164-489-11	CERAMIC CHIP	0.22uF	10%	16V	C4527	1-115-566-11	CERAMIC CHIP	4.7uF	10%	10V
C4322	1-135-259-11	TANTAL. CHIP	10uF	20%	6.3V	C4528	1-115-566-11	CERAMIC CHIP	4.7uF	10%	10V
C4323	1-131-862-91	TANTAL. CHIP	47uF	20%	4V	C4529	1-164-947-11	CERAMIC CHIP	0.01uF		50V
C4324	1-131-862-91	TANTAL. CHIP	47uF	20%	4V	C4530	1-115-566-11	CERAMIC CHIP	4.7uF	10%	10V
C4325	1-125-837-91	CERAMIC CHIP	1uF	10%	6.3V	C4531	1-115-566-11	CERAMIC CHIP	4.7uF	10%	10V
C4326	1-125-837-91	CERAMIC CHIP	1uF	10%	6.3V	C4532	1-115-566-11	CERAMIC CHIP	4.7uF	10%	10V
C4327	1-135-259-11	TANTAL. CHIP	10uF	20%	6.3V	C4533	1-135-259-11	TANTAL. CHIP	10uF	20%	6.3V
C4328	1-135-259-11	TANTAL. CHIP	10uF	20%	6.3V	C4534	1-164-506-11	CERAMIC CHIP	4.7uF		16V
C4401	1-107-819-11	CERAMIC CHIP	0.022uF	10%	16V	C4535	1-164-506-11	CERAMIC CHIP	4.7uF		16V
C4402	1-164-942-11	CERAMIC CHIP	0.0068uF	10%	16V	C4536	1-135-259-11	TANTAL. CHIP	10uF	20%	6.3V
C4403	1-107-819-11	CERAMIC CHIP	0.022uF	10%	16V	C4538	1-165-319-11	CERAMIC CHIP	0.1uF		50V
C4404	1-164-942-11	CERAMIC CHIP	0.0068uF	10%	16V	C4539	1-135-259-11	TANTAL. CHIP	10uF	20%	6.3V
C4405	1-164-943-11	CERAMIC CHIP	0.01uF	10%	16V	C4541	1-135-259-11	TANTAL. CHIP	10uF	20%	6.3V
C4406	1-135-259-11	TANTAL. CHIP	10uF	20%	6.3V	C4543	1-125-777-11	CERAMIC CHIP	0.1uF	10%	10V
C4410	1-164-937-11	CERAMIC CHIP	0.001uF	10%	50V	C4544	1-104-851-11	TANTAL. CHIP	10uF	20%	10V
C4411	1-135-259-11	TANTAL. CHIP	10uF	20%	6.3V	C4546	1-113-987-11	TANTAL. CHIP	4.7uF	20%	25V
C4412	1-164-874-11	CERAMIC CHIP	100PF	5%	50V	C4547	1-119-750-11	TANTAL. CHIP	22uF	20%	6.3V
C4413	1-164-874-11	CERAMIC CHIP	100PF	5%	50V	C4548	1-119-750-11	TANTAL. CHIP	22uF	20%	6.3V
C4414	1-164-937-11	CERAMIC CHIP	0.001uF	10%	50V	C4549	1-135-259-11	TANTAL. CHIP	10uF	20%	6.3V
C4416	1-164-874-11	CERAMIC CHIP	100PF	5%	50V	C4550	1-119-750-11	TANTAL. CHIP	22uF	20%	6.3V
C4417	1-164-874-11	CERAMIC CHIP	100PF	5%	50V	C4551	1-104-913-11	TANTAL. CHIP	10uF	20%	16V
C4419	1-125-777-11	CERAMIC CHIP	0.1uF	10%	10V	C4553	1-135-259-11	TANTAL. CHIP	10uF	20%	6.3V
C4420	1-125-777-11	CERAMIC CHIP	0.1uF	10%	10V	C4554	1-164-505-11	CERAMIC CHIP	2.2uF		16V
C4421	1-125-777-11	CERAMIC CHIP	0.1uF	10%	10V	C4555	1-164-505-11	CERAMIC CHIP	2.2uF		16V
C4423	1-125-777-11	CERAMIC CHIP	0.1uF	10%	10V	C4556	1-135-259-11	TANTAL. CHIP	10uF	20%	6.3V

Ref. No.	Part No.	Description				Ref. No.	Part No.	Description	
C4557	1-104-847-11	TANTAL. CHIP	22uF	20%	4V	L4401	1-469-528-91	INDUCTOR	100uH
C4559	1-104-847-11	TANTAL. CHIP	22uF	20%	4V	L4501	1-416-670-11	INDUCTOR	33uH
C4601	1-125-777-11	CERAMIC CHIP	0.1uF	10%	10V	L4502	1-416-669-11	INDUCTOR	22uH
C4602	1-125-777-11	CERAMIC CHIP	0.1uF	10%	10V	L4503	1-416-669-11	INDUCTOR	22uH
C4603	1-107-819-11	CERAMIC CHIP	0.022uF	10%	16V	L4504	1-416-669-11	INDUCTOR	22uH
C4604	1-119-751-11	TANTAL. CHIP	22uF	20%	16V	L4505	1-416-670-11	INDUCTOR	33uH
C4605	1-119-751-11	TANTAL. CHIP	22uF	20%	16V	L4506	1-416-669-11	INDUCTOR	22uH
C4606	1-119-751-11	TANTAL. CHIP	22uF	20%	16V	L4507	1-469-524-91	INDUCTOR	4.7uH
C4607	1-109-982-11	CERAMIC CHIP	1uF	10%	10V	L4508	1-469-524-91	INDUCTOR	4.7uH
C4608	1-109-982-11	CERAMIC CHIP	1uF	10%	10V	L4509	1-469-524-91	INDUCTOR	4.7uH
< CONNECTOR >									
CN4001	1-691-384-11	CONNECTOR, FFC/FPC 20P				L4510	1-469-524-91	INDUCTOR	4.7uH
CN4002	1-774-603-21	CONNECTOR, BOARD TO BOARD 100P				L4511	1-412-056-11	INDUCTOR	4.7uH
CN4003	1-691-388-11	CONNECTOR, FFC/FPC 24P				L4513	1-414-392-41	INDUCTOR	1uH
CN4004	1-691-376-21	CONNECTOR, FFC/FPC 12P				L4514	1-412-056-11	INDUCTOR	4.7uH
CN4201	1-766-350-21	CONNECTOR, FFC/FPC 20P				L4515	1-469-524-91	INDUCTOR	4.7uH
* CN4601	1-580-789-21	PIN, CONNECTOR (SMD) 6P				L4516	1-469-526-91	INDUCTOR	22uH
< DIODE >									
D4001	8-719-062-16	DIODE 01ZA8.2(TPL3)				L4517	1-469-524-91	INDUCTOR	4.7uH
D4003	8-719-062-16	DIODE 01ZA8.2(TPL3)				L4519	1-469-524-91	INDUCTOR	4.7uH
D4004	8-719-062-16	DIODE 01ZA8.2(TPL3)				L4520	1-414-392-41	INDUCTOR	1uH
D4005	8-719-062-16	DIODE 01ZA8.2(TPL3)				L4522	1-414-392-41	INDUCTOR	1uH
D4006	8-719-056-85	DIODE UDZSTE-178.2B				L4601	1-412-056-11	INDUCTOR	4.7uH
D4201	8-719-084-47	DIODE 1SV290(TPL3)				< LINE FILTER >			
D4502	8-719-081-19	DIODE 1SS383(T5RSONY1)				LF4601	1-411-957-11	FILTER, COMMON MODE	
D4503	8-719-081-19	DIODE 1SS383(T5RSONY1)				< TRANSISTOR >			
D4601	8-719-062-16	DIODE 01ZA8.2(TPL3)				Q4001	8-729-037-76	TRANSISTOR	RN1111F(TPL3)
D4602	8-719-081-19	DIODE 1SS383(T5RSONY1)				Q4003	8-729-049-92	TRANSISTOR	2SC5585H-T2L
< FUSE >									
△F4601	1-576-406-21	FUSE, MICRO (1.4A/32V) (1608)				Q4101	8-729-037-52	TRANSISTOR	2SC4738F-Y/GR(TPL3)
△F4602	1-576-406-21	FUSE, MICRO (1.4A/32V) (1608)				Q4102	8-729-037-61	TRANSISTOR	RN2104F(TPL3)
△F4603	1-576-406-21	FUSE, MICRO (1.4A/32V) (1608)				Q4103	8-759-054-50	TRANSISTOR	UP04501008S0
△F4604	1-576-406-21	FUSE, MICRO (1.4A/32V) (1608)				Q4301	8-729-921-51	TRANSISTOR	2SD1834-T100
△F4605	1-576-406-21	FUSE, MICRO (1.4A/32V) (1608)				Q4303	8-729-054-51	TRANSISTOR	RN2910FE(TPLR3)
△F4606	1-576-406-21	FUSE, MICRO (1.4A/32V) (1608)				Q4304	8-729-042-29	TRANSISTOR	RN1104F(TPL3)
< FERRITE BEAD >									
FB4101	1-469-676-22	FERRITE	0uH			Q4305	8-729-054-52	TRANSISTOR	RN1910FE(TPLR3)
FB4201	1-469-676-22	FERRITE	0uH			Q4306	8-729-037-63	TRANSISTOR	UN9115J-(K8).S0
FB4202	1-500-329-21	FERRITE	0uH			Q4307	8-729-054-52	TRANSISTOR	RN1910FE(TPLR3)
FB4301	1-469-676-22	FERRITE	0uH			Q4501	8-729-043-60	TRANSISTOR	CPH6102-TL-E
< IC >									
IC4101	6-701-555-01	IC AN2225NFHQBA				Q4502	8-729-101-07	TRANSISTOR	2SB798-T1-DLDK
IC4201	8-752-100-95	IC CXA3289AR-T4				Q4503	8-729-046-98	TRANSISTOR	CPH6702-TL-E
IC4202	8-752-405-57	IC CXD3501AR-T4				Q4504	8-729-037-53	TRANSISTOR	2SA1832F-Y/GR(TPL3)
IC4301	6-701-074-01	IC LA74207W-TBM-E				Q4505	8-729-046-98	TRANSISTOR	CPH6702-TL-E
IC4401	8-759-679-11	IC BH7870AKV-E2				Q4506	8-729-044-33	TRANSISTOR	CPH6701-TL-E
IC4501	8-752-102-78	IC CXA3282R-T6				Q4507	8-759-054-50	TRANSISTOR	UP04501008S0
IC4505	6-700-139-01	IC R1121N191B-TL				Q4508	8-729-046-98	TRANSISTOR	CPH6702-TL-E
< COIL >									
L4101	1-469-525-91	INDUCTOR	10uH			Q4509	8-729-044-33	TRANSISTOR	CPH6701-TL-E
L4102	1-469-525-91	INDUCTOR	10uH			Q4510	8-729-046-98	TRANSISTOR	CPH6702-TL-E
L4201	1-469-525-91	INDUCTOR	10uH			Q4511	8-729-044-58	TRANSISTOR	SI2304DS-T1
L4202	1-469-891-21	INDUCTOR	6.8uH			Q4512	8-729-044-58	TRANSISTOR	SI2304DS-T1
L4301	1-469-525-91	INDUCTOR	10uH			Q4513	8-729-042-29	TRANSISTOR	RN1104F(TPL3)
						Q4514	8-729-037-52	TRANSISTOR	2SC4738F-Y/GR(TPL3)
						Q4515	8-729-037-53	TRANSISTOR	2SA1832F-Y/GR(TPL3)
						Q4516	8-759-054-50	TRANSISTOR	UP04501008S0
						Q4517	8-729-037-52	TRANSISTOR	2SC4738F-Y/GR(TPL3)
						Q4518	8-729-054-49	TRANSISTOR	UP04401008S0
						Q4519	8-729-037-52	TRANSISTOR	2SC4738F-Y/GR(TPL3)

Note : The components identified by mark △ or dotted line with mark △ are critical for safety. Replace only with part number specified.

DCR-TRV24E/TRV25E/TRV27E

VA-117

Ref. No.	Part No.	Description							
Q4520	8-729-053-54	TRANSISTOR	N1A01FE-Y/GR(TPLR3)						
Q4521	8-729-037-52	TRANSISTOR	2SC4738F-Y/GR(TPL3)						
Q4601	8-729-047-68	TRANSISTOR	SSM3K03FE(TPL3)						
Q4602	8-729-056-54	TRANSISTOR	TPCS8302(TE12L)						
Q4603	8-729-804-41	TRANSISTOR	2SB1122-ST-TD						
Q4604	8-729-042-29	TRANSISTOR	RN1104F(TPL3)						
Q4605	8-729-037-74	TRANSISTOR	UN9213J-(K8).SO						
Q4606	8-729-037-61	TRANSISTOR	RN2104F(TPL3)						
Q4607	8-729-037-61	TRANSISTOR	RN2104F(TPL3)						
Q4608	8-729-023-89	TRANSISTOR	2SJ305(TE85L)						
Q4609	8-729-023-89	TRANSISTOR	2SJ305(TE85L)						
Q4610	8-729-056-54	TRANSISTOR	TPCS8302(TE12L)						
		< RESISTOR >							
R4001	1-218-990-11	SHORT CHIP	0						
R4002	1-218-990-11	SHORT CHIP	0						
R4003	1-218-990-11	SHORT CHIP	0						
R4004	1-218-990-11	SHORT CHIP	0						
R4005	1-218-990-11	SHORT CHIP	0						
R4009	1-218-939-11	RES-CHIP	68	5%	1/16W				
R4010	1-218-959-11	RES-CHIP	3.3K	5%	1/16W				
R4011	1-216-017-91	RES-CHIP	47	5%	1/10W				
R4012	1-216-017-91	RES-CHIP	47	5%	1/10W				
R4013	1-218-990-11	SHORT CHIP	0						
R4101	1-218-961-11	RES-CHIP	4.7K	5%	1/16W				
R4102	1-218-961-11	RES-CHIP	4.7K	5%	1/16W				
R4103	1-218-941-81	RES-CHIP	100	5%	1/16W				
R4104	1-218-981-11	RES-CHIP	220K	5%	1/16W				
R4105	1-218-953-11	RES-CHIP	1K	5%	1/16W				
R4106	1-218-953-11	RES-CHIP	1K	5%	1/16W				
R4107	1-208-715-11	METAL CHIP	22K	0.5%	1/16W				
R4108	1-218-953-11	RES-CHIP	1K	5%	1/16W				
R4109	1-218-953-11	RES-CHIP	1K	5%	1/16W				
R4110	1-218-965-11	RES-CHIP	10K	5%	1/16W				
R4111	1-218-957-11	RES-CHIP	2.2K	5%	1/16W				
R4112	1-218-935-11	RES-CHIP	33	5%	1/16W				
R4113	1-218-935-11	RES-CHIP	33	5%	1/16W				
R4114	1-218-935-11	RES-CHIP	33	5%	1/16W				
R4115	1-218-935-11	RES-CHIP	33	5%	1/16W				
R4116	1-218-935-11	RES-CHIP	33	5%	1/16W				
R4117	1-218-935-11	RES-CHIP	33	5%	1/16W				
R4118	1-218-953-11	RES-CHIP	1K	5%	1/16W				
R4119	1-218-953-11	RES-CHIP	1K	5%	1/16W				
R4120	1-218-953-11	RES-CHIP	1K	5%	1/16W				
R4121	1-218-953-11	RES-CHIP	1K	5%	1/16W				
R4201	1-218-985-11	RES-CHIP	470K	5%	1/16W				
R4202	1-208-935-11	METAL CHIP	100K	0.5%	1/16W				
R4203	1-218-990-11	SHORT CHIP	0						
R4205	1-218-958-11	RES-CHIP	2.7K	5%	1/16W				
R4206	1-218-973-11	RES-CHIP	47K	5%	1/16W				
R4207	1-218-975-11	RES-CHIP	68K	5%	1/16W				
R4208	1-218-969-11	RES-CHIP	22K	5%	1/16W				
R4209	1-218-975-11	RES-CHIP	68K	5%	1/16W				
R4210	1-218-989-11	RES-CHIP	1M	5%	1/16W				
R4211	1-218-977-11	RES-CHIP	100K	5%	1/16W				
R4212	1-218-941-81	RES-CHIP	100	5%	1/16W				
R4213	1-218-941-81	RES-CHIP	100	5%	1/16W				
R4214	1-218-941-81	RES-CHIP	100	5%	1/16W				
R4216	1-208-927-11	METAL CHIP	47K	0.5%	1/16W				
R4217	1-218-989-11	METAL CHIP	1M	5%	1/16W				
R4221	1-218-990-11	SHORT CHIP	0						
R4222	1-218-990-11	SHORT CHIP	0						
R4223	1-218-990-11	SHORT CHIP	0						
R4224	1-218-953-11	RES-CHIP	1K	5%	1/16W				
R4301	1-218-971-11	RES-CHIP	33K	5%	1/16W				
R4302	1-218-981-11	RES-CHIP	220K	5%	1/16W				
R4303	1-218-960-11	RES-CHIP	3.9K	5%	1/16W				
R4304	1-218-965-11	RES-CHIP	10K	5%	1/16W				
R4305	1-218-965-11	RES-CHIP	10K	5%	1/16W				
R4306	1-218-957-11	RES-CHIP	2.2K	5%	1/16W				
R4307	1-218-957-11	RES-CHIP	2.2K	5%	1/16W				
R4308	1-218-973-11	RES-CHIP	47K	5%	1/16W				
R4309	1-218-973-11	RES-CHIP	47K	5%	1/16W				
R4310	1-218-953-11	RES-CHIP	1K	5%	1/16W				
R4311	1-218-953-11	RES-CHIP	1K	5%	1/16W				
R4316	1-218-937-11	RES-CHIP	47	5%	1/16W				
R4317	1-218-937-11	RES-CHIP	47	5%	1/16W				
R4318	1-218-937-11	RES-CHIP	47	5%	1/16W				
R4319	1-218-937-11	RES-CHIP	47	5%	1/16W				
R4401	1-218-957-11	RES-CHIP	2.2K	5%	1/16W				
R4402	1-218-958-11	RES-CHIP	2.7K	5%	1/16W				
R4403	1-218-965-11	RES-CHIP	10K	5%	1/16W				
R4404	1-218-961-11	RES-CHIP	4.7K	5%	1/16W				
R4405	1-218-990-11	SHORT CHIP	0						
R4406	1-218-957-11	RES-CHIP	2.2K	5%	1/16W				
R4407	1-218-957-11	RES-CHIP	2.2K	5%	1/16W				
R4408	1-218-963-11	RES-CHIP	6.8K	5%	1/16W				
R4409	1-218-963-11	RES-CHIP	6.8K	5%	1/16W				
R4410	1-218-953-11	RES-CHIP	1K	5%	1/16W				
R4411	1-218-953-11	RES-CHIP	1K	5%	1/16W				
R4415	1-218-969-11	RES-CHIP	22K	5%	1/16W				
R4417	1-218-969-11	RES-CHIP	22K	5%	1/16W				
R4418	1-218-973-11	RES-CHIP	47K	5%	1/16W				
R4419	1-218-973-11	RES-CHIP	47K	5%	1/16W				
R4420	1-218-966-11	RES-CHIP	12K	5%	1/16W				
R4421	1-218-966-11	RES-CHIP	12K	5%	1/16W				
R4422	1-218-990-11	SHORT CHIP	0						
R4423	1-218-965-11	RES-CHIP	10K	5%	1/16W				
R4424	1-218-966-11	RES-CHIP	12K	5%	1/16W				
R4425	1-218-977-11	RES-CHIP	100K	5%	1/16W				
R4427	1-218-959-11	RES-CHIP	3.3K	5%	1/16W				
R4430	1-218-990-11	SHORT CHIP	0						
R4501	1-208-715-11	METAL CHIP	22K	0.5%	1/16W				
R4502	1-218-971-11	RES-CHIP	33K	5%	1/16W				
R4503	1-218-963-11	RES-CHIP	6.8K	5%	1/16W				
R4504	1-218-985-11	METAL CHIP	470K	0.5%	1/16W				
R4505	1-218-990-11	SHORT CHIP	0						
R4506	1-218-967-11	RES-CHIP	15K	5%	1/16W				
R4507	1-218-965-11	RES-CHIP	10K	5%	1/16W				
R4508	1-208-935-11	METAL CHIP	100K	0.5%	1/16W				
R4509	1-216-864-11	METAL CHIP	0	5%	1/16W				
R4510	1-218-990-11	SHORT CHIP	0						
R4511	1-218-969-11	RES-CHIP	22K	5%	1/16W				
R4512	1-218-961-11	RES-CHIP	4.7K	5%	1/16W				
R4513	1-218-990-11	SHORT CHIP	0						
R4514	1-218-961-11	RES-CHIP	4.7K	5%	1/16W				
R4515	1-208-713-11	METAL CHIP	18K	0.5%	1/16W				
R4517	1-218-990-11	SHORT CHIP	0						
R4518	1-218-971-11	RES-CHIP	33K	5%	1/16W				

Ref. No.	Part No.	Description			
R4519	1-218-969-11	RES-CHIP	22K	5%	1/16W
R4520	1-218-965-11	RES-CHIP	10K	5%	1/16W
R4521	1-218-990-11	SHORT CHIP	0		
R4524	1-218-973-11	RES-CHIP	47K	5%	1/16W
R4525	1-218-961-11	RES-CHIP	4.7K	5%	1/16W
R4526	1-218-970-11	METAL CHIP	27K	0.5%	1/16W
R4527	1-208-720-11	METAL CHIP	36K	0.5%	1/16W
R4528	1-218-973-11	RES-CHIP	47K	5%	1/16W
R4529	1-218-969-11	RES-CHIP	22K	5%	1/16W
R4531	1-218-973-11	RES-CHIP	47K	5%	1/16W
R4532	1-218-977-11	RES-CHIP	100K	5%	1/16W
R4533	1-218-969-11	RES-CHIP	22K	5%	1/16W
R4534	1-208-935-11	METAL CHIP	100K	0.5%	1/16W
R4535	1-208-721-11	METAL CHIP	39K	0.5%	1/16W
R4536	1-208-701-11	METAL CHIP	5.6K	0.5%	1/16W
R4537	1-218-977-11	RES-CHIP	100K	5%	1/16W
R4538	1-218-969-11	RES-CHIP	22K	5%	1/16W
R4539	1-208-935-11	METAL CHIP	100K	0.5%	1/16W
R4540	1-218-964-11	RES-CHIP	8.2K	5%	1/16W
R4541	1-208-943-11	METAL CHIP	220K	0.5%	1/16W
R4542	1-218-977-11	RES-CHIP	100K	5%	1/16W
R4543	1-218-977-11	RES-CHIP	100K	5%	1/16W
R4544	1-218-961-11	RES-CHIP	4.7K	5%	1/16W
R4545	1-208-943-11	METAL CHIP	220K	0.5%	1/16W
R4546	1-208-931-11	METAL CHIP	68K	0.5%	1/16W
R4550	1-208-699-11	METAL CHIP	4.7K	0.5%	1/16W
R4551	1-208-927-11	METAL CHIP	47K	0.5%	1/16W
R4552	1-208-711-11	METAL CHIP	15K	0.5%	1/16W
R4554	1-218-990-11	SHORT CHIP	0		
R4601	1-218-953-11	RES-CHIP	1K	5%	1/16W
R4604	1-218-977-11	RES-CHIP	100K	5%	1/16W
R4605	1-218-989-11	RES-CHIP	1M	5%	1/16W
R4607	1-216-797-11	METAL CHIP	10	5%	1/16W
R4608	1-218-953-11	RES-CHIP	1K	5%	1/16W
R4609	1-218-963-11	RES-CHIP	6.8K	5%	1/16W
R4610	1-218-973-11	RES-CHIP	47K	5%	1/16W
R4611	1-218-973-11	RES-CHIP	47K	5%	1/16W
R4612	1-218-941-81	RES-CHIP	100	5%	1/16W
R4613	1-218-989-11	RES-CHIP	1M	5%	1/16W
R4614	1-218-941-81	RES-CHIP	100	5%	1/16W
R4615	1-218-989-11	RES-CHIP	1M	5%	1/16W
R4617	1-218-953-11	RES-CHIP	1K	5%	1/16W
R4618	1-218-953-11	RES-CHIP	1K	5%	1/16W

< TRANSFORMER >

△ T4501 1-435-252-21 TRANSFORMER, DC-DC CONVERTER

Ref. No.	Part No.	Description
	A-7078-331-A	VC-281 BOARD, COMPLETE (SERVICE)(TRV24E)

	A-7078-287-A	VC-281 BOARD, COMPLETE (SERVICE)
		(TRV25E/TRV27E)

Electrical parts list of the VC-281 board are not shown. Pages 6-20 to 6-26 are not shown.

Note : The components identified by mark △ or dotted line with mark △ are critical for safety. Replace only with part number specified.

<u>Ref. No.</u>	<u>Part No.</u>	<u>Description</u>
		ACCESSORIES *****
	1-475-141-61	REMOTE COMMANDER (RMT-814)
△	1-475-599-14	ADAPTOR, AC AC-L10A (EXCEPT CH)
△	1-475-599-82	ADAPTOR, AC AC-L10B (CH)
△	1-569-007-11	ADAPTOR, CONVERSION 2P(JE)
△	1-569-008-21	ADAPTOR, CONVERSION 2P(E,HK)
	1-573-291-11	CONNECTOR, CONVERSION 21P (AEP,UK,EE,NE)
△	1-696-819-11	CORD, POWER (AUS)
△	1-757-293-21	CORD, CONNECTION (USB 5P)
△	1-769-608-11	CORD, POWER (AEP,EE,NE,E)
△	1-782-476-11	CORD, POWER (CH)
△	1-783-374-11	CORD, POWER (UK,HK)
△	1-790-732-11	CORD, POWER (JE)
	1-824-097-11	CORD, CONNECTION (AV CABLE)(1.5m)
	3-072-414-01	SPVD-008 (CD-ROM USB DRIVER)
	3-075-067-11	MANUAL, INSTRUCTION (ENGLISH/RUSSIAN) (TRV25E:UK/TRV27E:UK)
	3-075-067-21	MANUAL, INSTRUCTION (FRENCH/GERMAN) (TRV24E:AEP/TRV25E:AEP/TRV27E:AEP)
	3-075-067-31	MANUAL, INSTRUCTION (ENGLISH/DUTCH) (TRV24E:AEP/TRV25E:AEP/TRV27E:AEP)
	3-075-067-41	MANUAL, INSTRUCTION (SPANISH/PORTUGUESE) (TRV24E:AEP/TRV25E:AEP/TRV27E:AEP)
	3-075-067-51	MANUAL, INSTRUCTION (ITALIAN/GREEK) (TRV24E:AEP/TRV25E:AEP/TRV27E:AEP)
	3-075-067-61	MANUAL, INSTRUCTION (ENGLISH/SWEDISH) (TRV24E:NE/TRV25E:NE/TRV27E:NE)
	3-075-067-71	MANUAL, INSTRUCTION (DANISH/FINNISH) (TRV24E:NE/TRV25E:NE/TRV27E:NE)
	3-075-068-11	MANUAL, INSTRUCTION (ENGLISH/RUSSIAN) (TRV25E:E, HK, AUS, CH/TRV27E:E, HK, AUS, CH, JE)
	3-075-068-21	MANUAL, INSTRUCTION (FRENCH/GERMAN) (TRV25E:E/TRV27E:E,JE)
	3-075-068-31	MANUAL, INSTRUCTION (ARABIC/PERSIAN) (TRV25E:E/TRV27E:E,JE)
	3-075-068-41	MANUAL, INSTRUCTION (CHINESE) (TRV25E:HK/TRV27E:HK)
	3-075-068-51	MANUAL, INSTRUCTION (CHINESE) (TRV25E:E,CH/TRV27E:E,CH,JE)
	3-742-854-01	LID, BATTERY CASE (FOR RMT-814)
	3-987-015-01	BELT (S), SHOULDER
	A-7024-735-A	MEMORY STICK (MSA-8A)
	X-3950-537-1	CAP ASSY, LENS
		NP-FM50 BATTERY PACK (not supplied)

Note : The components identified by mark △ or dotted line with mark △ are critical for safety.
Replace only with part number specified.

〈FOR CAMERA COLOR REPRODUCTION ADJUSTMENT〉

Take a copy of CAMERA COLOR REPRODUCTION FRAME with a clear sheet for use.

