



## SECTION 6 REPAIR PARTS LIST

### 6-1. EXPLODED VIEWS

**NOTE:**

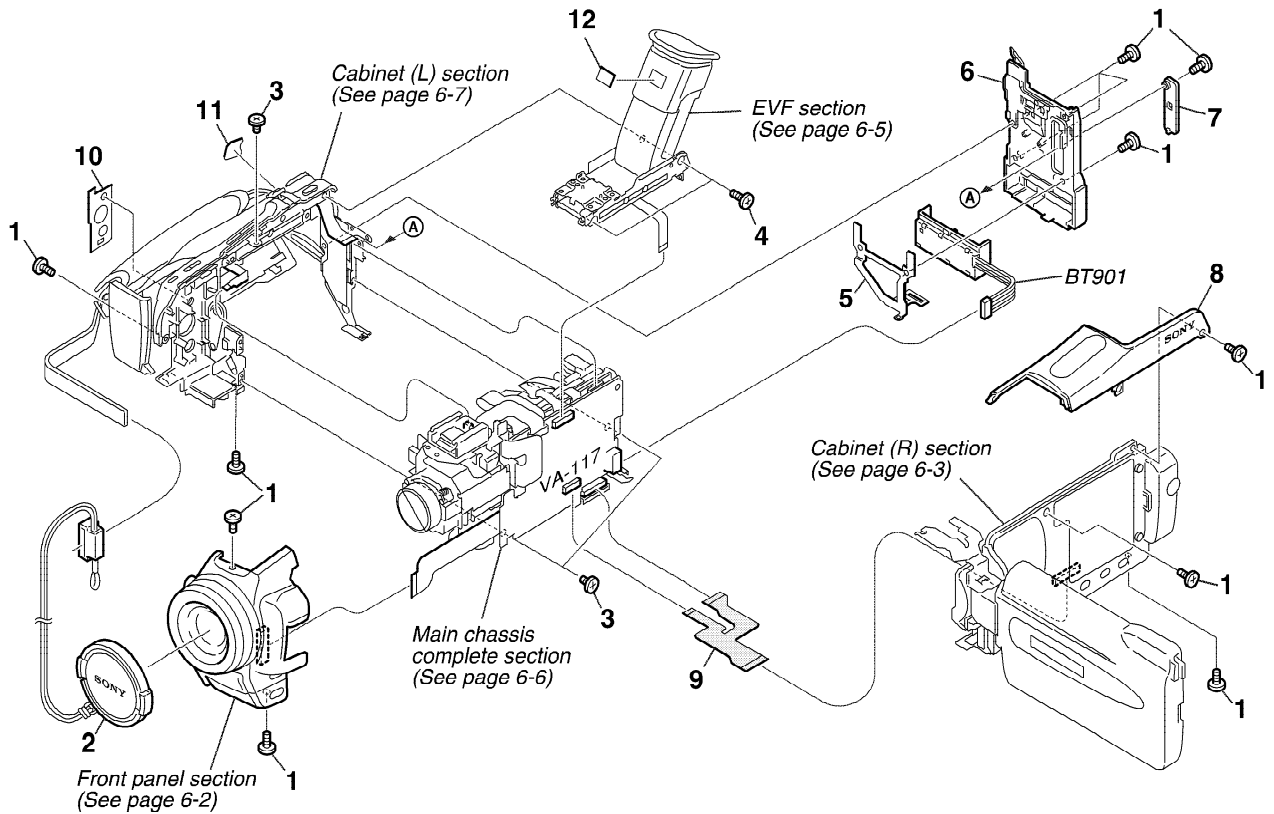
- -XX, -X mean standardized parts, so they may have some differences from the original one.
- Items marked “\*” are not stocked since they are seldom required for routine service. Some delay should be anticipated when ordering these items.
- The mechanical parts with no reference number in the exploded views are not supplied.

- Abbreviation  
 AUS : Australian model  
 CH : Chinese model  
 JE : Tourist model  
 EE : East European model  
 NE : North European model  
 HK : Hong Kong model

The components identified by mark  $\Delta$  or dotted line with mark  $\Delta$  are critical for safety. Replace only with part number specified.

Les composants identifiés par une marque  $\Delta$  sont critiques pour la sécurité. Ne les remplacer que par une pièce portant le numéro spécifié.

#### 6-1-1. OVERALL SECTION

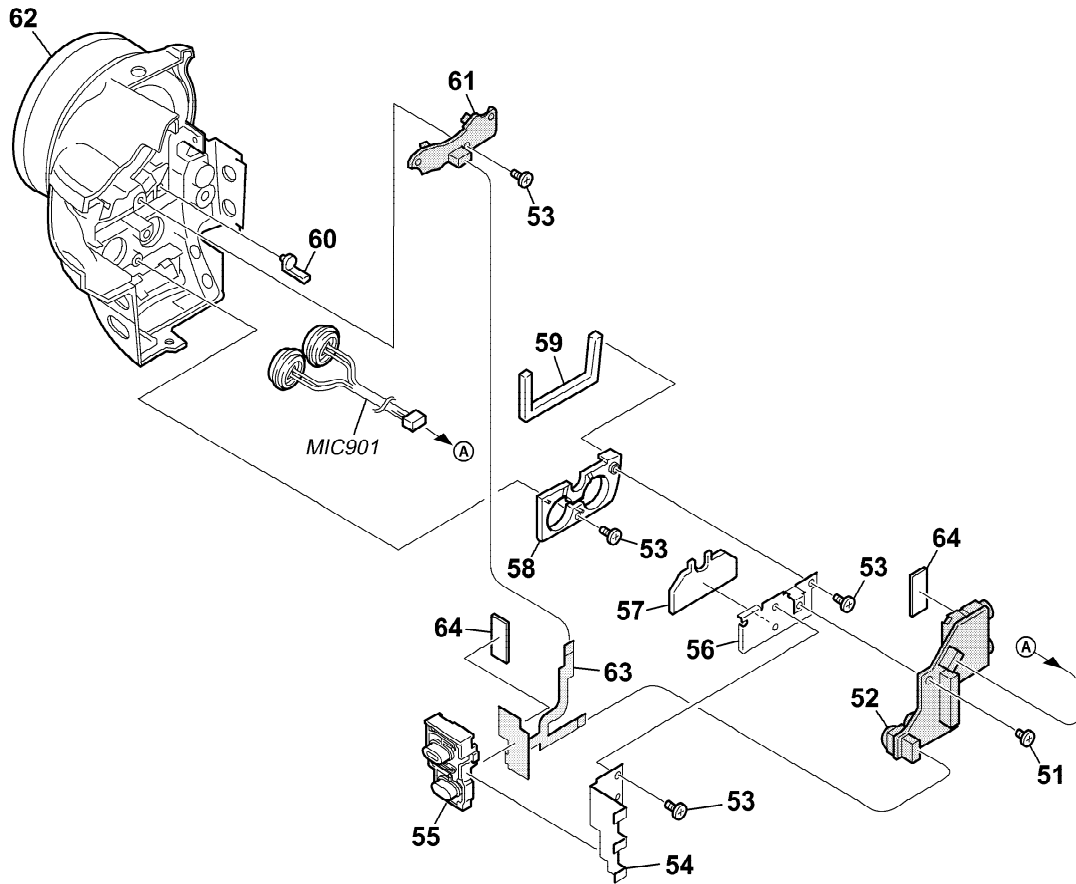


Ref. No.	Part No.	Description
1	3-056-030-61	SCREW (M1.7), LOCK ACE, P2
2	X-3950-537-1	CAP ASSY, LENS
3	4-974-725-01	SCREW (M1.7X2.5), P
4	3-713-791-11	SCREW (M1.7X5), TAPPING, P2
5	3-067-024-01	BRACKET (LOWER), STRAP
6	X-3952-229-1	BT PANEL ASSY
7	3-067-025-01	CPC LID
8	X-3952-231-1	TOP CABINET ASSY
9	1-684-248-11	FP-434 FLEXIBLE BOARD
10	3-073-511-11	PLATE, JACK ORNAMENTAL (TRV16/TRV18)
10	3-073-511-21	PLATE, JACK ORNAMENTAL (TRV16E:AEP,UK,EE,NE/TRV18E:AEP,UK,EE,NE)

Ref. No.	Part No.	Description
10	3-073-511-31	PLATE, JACK ORNAMENTAL (TRV16E:E,HK,AUS,CH/TRV116E/TRV18E:E,HK,AUS,CH,JE/TRV118E)
11	3-073-502-31	SHEET, POWER (TRV18/TRV18E:E,HK,AUS,CH,JE/TRV118E)
11	3-073-502-41	SHEET, POWER (TRV18E:AEP,UK,EE,NE)
11	3-073-502-51	SHEET, POWER (TRV16/TRV16E:E,HK,AUS,CH/TRV116E)
11	3-073-502-61	SHEET, POWER (TRV16E:AEP,UK,EE,NE)
12	3-074-433-01	LABEL, COLOR (VF)
BT901	1-694-772-11	TERMINAL BOARD, BATTERY

# DCR-TRV16/TRV16E/TRV18/TRV18E/TRV116E/TRV118E

## 6-1-2. FRONT PANEL SECTION

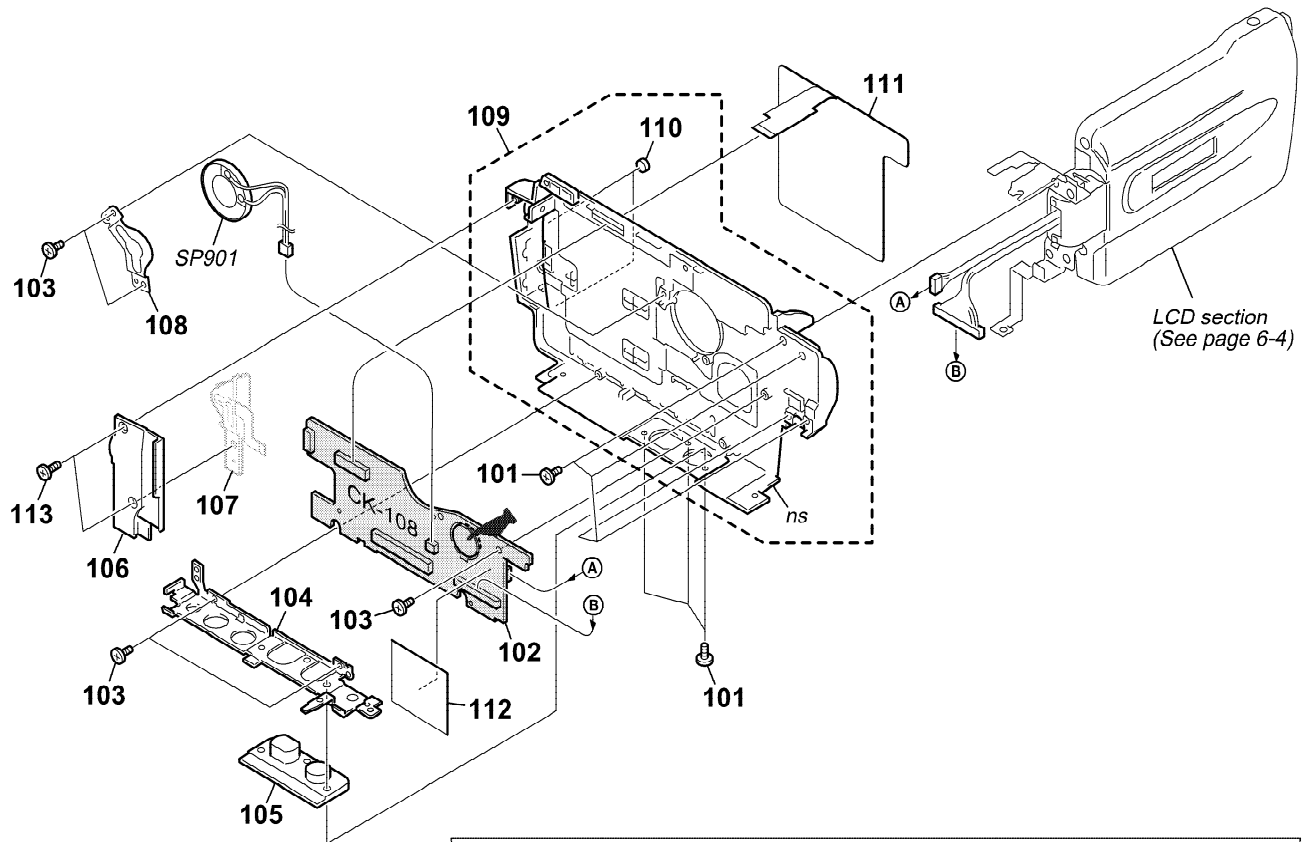


Ref. No.	Part No.	Description
51	4-974-725-01	SCREW (M1.7X2.5), P
52	A-7078-104-A	MA-409 BOARD, COMPLETE
53	3-713-791-51	SCREW (M1.7X3.5), TAPPING, P2
54	3-073-464-01	RETAINER, FOCUS BUTTON
55	3-073-463-01	FOCUS, BUTTON
56	3-073-460-01	RETAINER (2), MICROPHONE
57	3-073-461-01	CUSHION, MICROPHONE RETAINER
58	3-073-459-01	RETAINER (1), MICROPHONE

Ref. No.	Part No.	Description
59	3-074-585-01	CUSHION, MICROPHONE
60	3-073-462-01	LIGHT, TALLY GUIDE
61	A-7078-103-A	FB-219 BOARD, COMPLETE
62	X-3952-401-1	F PANEL ASSY
63	1-684-258-21	FP-444 FLEXIBLE BOARD
64	3-075-386-01	CUSHION, JACK
MIC901	1-542-477-11	MICROPHONE

6-1-3. CABINET (R) SECTION

ns : not supplied



 : BT5201 (Lithium battery) CK-108 board on the mount position. (See page 4-80)

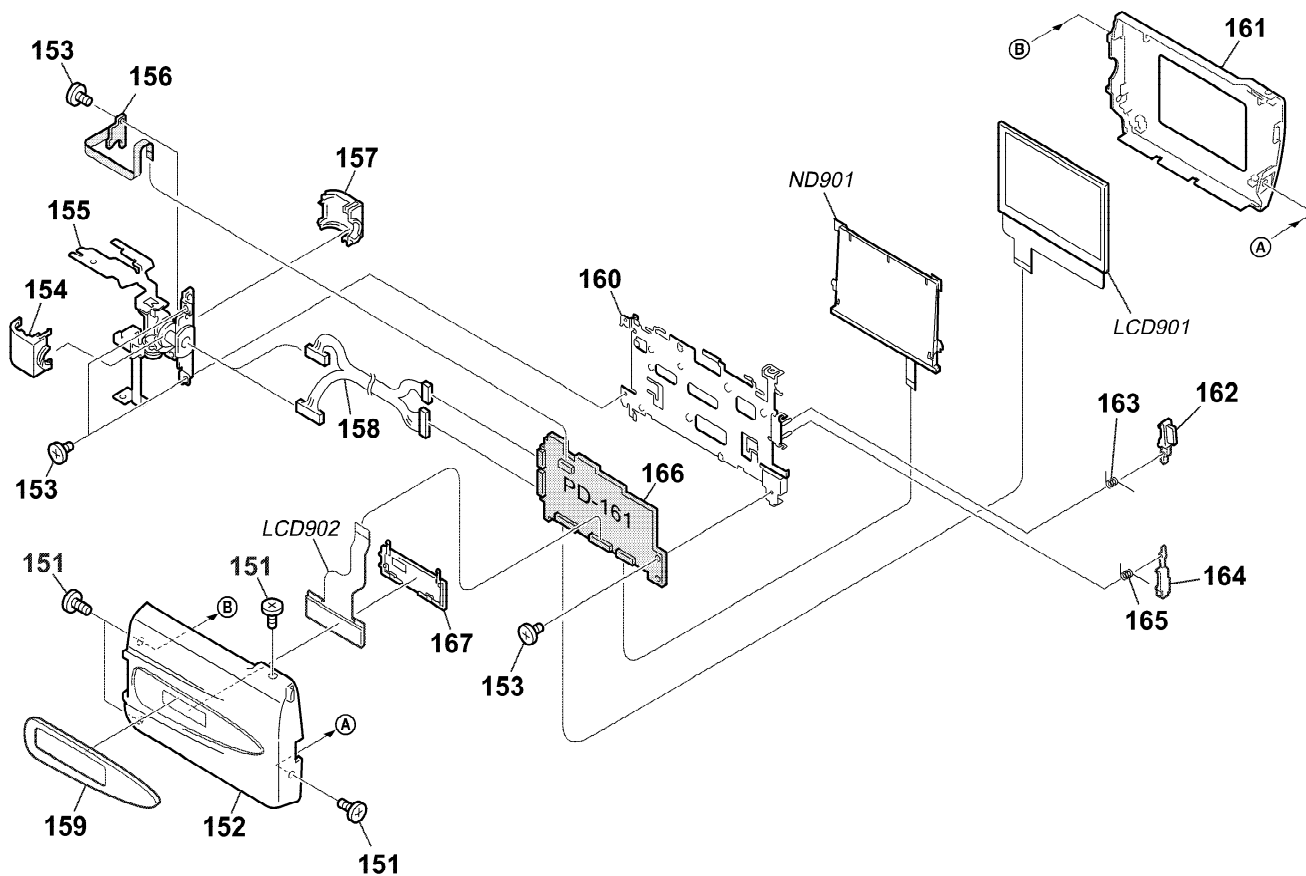
**CAUTION :**  
 Danger of explosion if battery is incorrectly replaced.  
 Replace only with the same or equivalent type.

Ref. No.	Part No.	Description
101	3-055-573-01	SCREW (M1.7), LOCK ACE, P2
102	A-7078-105-A	CK-108 BOARD, COMPLETE
103	3-713-791-51	SCREW (M1.7X3.5), TAPPING, P2
104	3-074-072-01	FRAME BOTTOM
105	3-055-257-01	TRIPOD (LARGE)
106	3-073-466-01	BLIND, KURUPON
107	1-477-147-11	SWITCH BLOCK, CONTROL (KP-CX2670)
* 108	X-3950-471-1	RETAINER ASSY, SPEAKER
109	X-3952-407-1	CABINET (R) ASSY 2.5
110	3-959-978-02	CUSHION, PANEL

Ref. No.	Part No.	Description
111	1-477-149-21	SWITCH BLOCK, CONTROL (SH-CX2670) (TRV18/TRV18E:E,HK,AUS,CH,JE/TRV118E)
111	1-477-149-31	SWITCH BLOCK, CONTROL (SH-CX2670) (TRV18E:AEP,UK,EE,NE)
111	1-477-149-41	SWITCH BLOCK, CONTROL (SH-CX2670) (TRV16/TRV16E:E,HK,AUS,CH/TRV116E)
111	1-477-149-51	SWITCH BLOCK, CONTROL (SH-CX2670) (TRV16E:AEP,UK,EE,NE)
112	3-074-538-01	RETAINER, P HARNESS
113	3-989-735-91	SCREW (M1.7), LOCK ACE, P2
SP901	1-529-590-11	SPEAKER (2.0CM)

# DCR-TRV16/TRV16E/TRV18/TRV18E/TRV116E/TRV118E

## 6-1-4. LCD SECTION



Ref. No.	Part No.	Description
151	3-056-233-21	SCREW (M2), LOCK ACE, P2
152	X-3952-405-1	P CABINET (C) ASSY 2.5
153	4-974-725-01	SCREW (M1.7X2.5), P
154	3-073-468-01	COVER (FRONT), HINGE
155	X-3952-242-1	HINGE ASSY
156	1-684-256-21	FP-442 FLEXIBLE BOARD
157	3-073-469-01	COVER (REAR), HINGE
158	1-961-795-11	HARNESS (PV-138)
159	3-073-488-01	PLATE, P ORNAMENTAL (TRV18)
159	3-073-488-11	PLATE, P ORNAMENTAL (TRV18E)
159	3-073-488-21	PLATE, P ORNAMENTAL (TRV16)
159	3-073-488-31	PLATE, P ORNAMENTAL (TRV16E)
159	3-075-361-01	PLATE, P ORNAMENTAL (TRV116E)

Ref. No.	Part No.	Description
159	3-075-361-11	PLATE, P ORNAMENTAL (TRV118E)
160	X-3952-244-1	P FRAME ASSY (2.5)
161	3-073-474-01	P CABINET (M) 2.5
162	3-073-470-01	BUTTON, P OPEN
163	3-073-472-01	SPRING (U), LOCK
164	3-073-471-01	P LOCK
165	3-073-473-01	SPRING (L), LOCK
166	A-7078-106-A	PD-161 (25SH123) BOARD, COMPLETE
167	3-073-467-01	LCD HOLDER
LCD901	1-803-853-21	INDICATOR MODULE LIQUID CRYST (LQ25A3FR34)
LCD902	A-7096-989-A	INDICATION LCD BLOCK ASSY
△ND901	1-518-798-21	TUBE, FLUORESCENT,COLD CATHODE

**Note :**

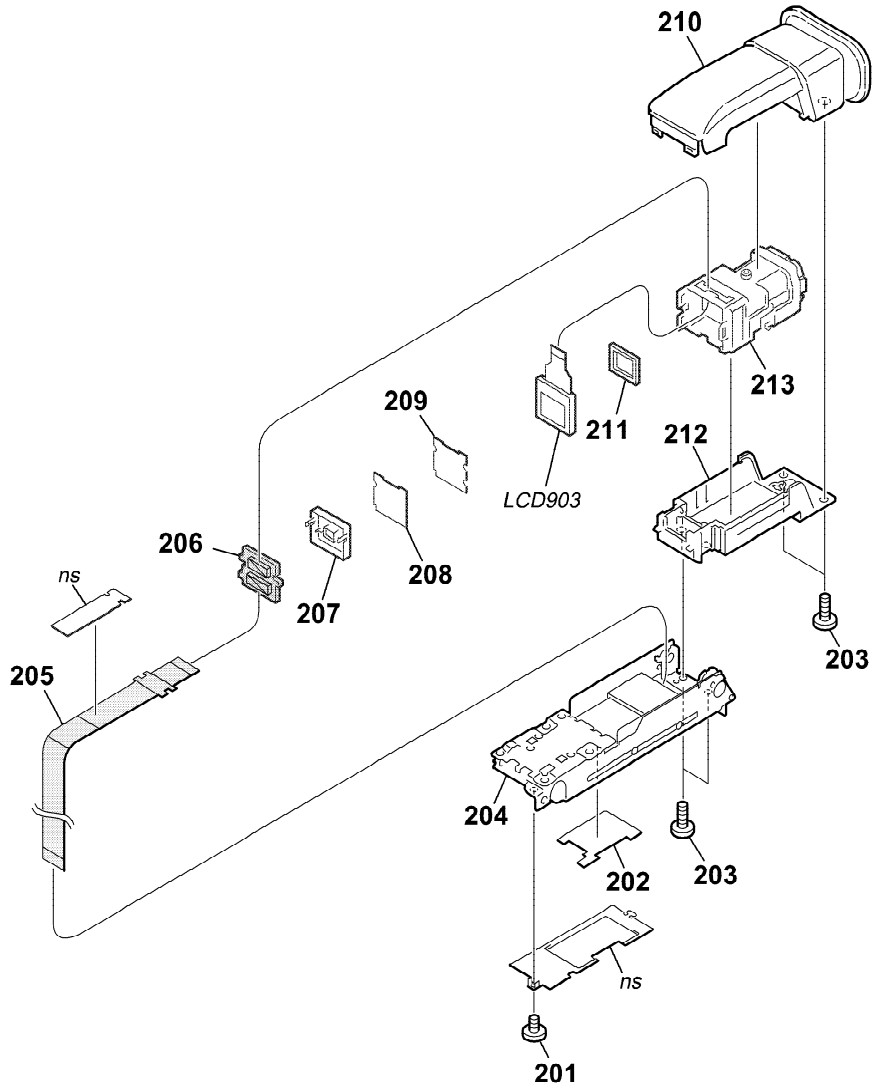
The components identified by mark  $\triangle$  or dotted line with mark  $\triangle$  are critical for safety. Replace only with part number specified.

**Note :**

Les composants identifiés par une marque  $\triangle$  sont critiques pour la sécurité. Ne les remplacer que par une pièce portant le numéro spécifié.

6-1-5. EVF SECTION

ns : not supplied



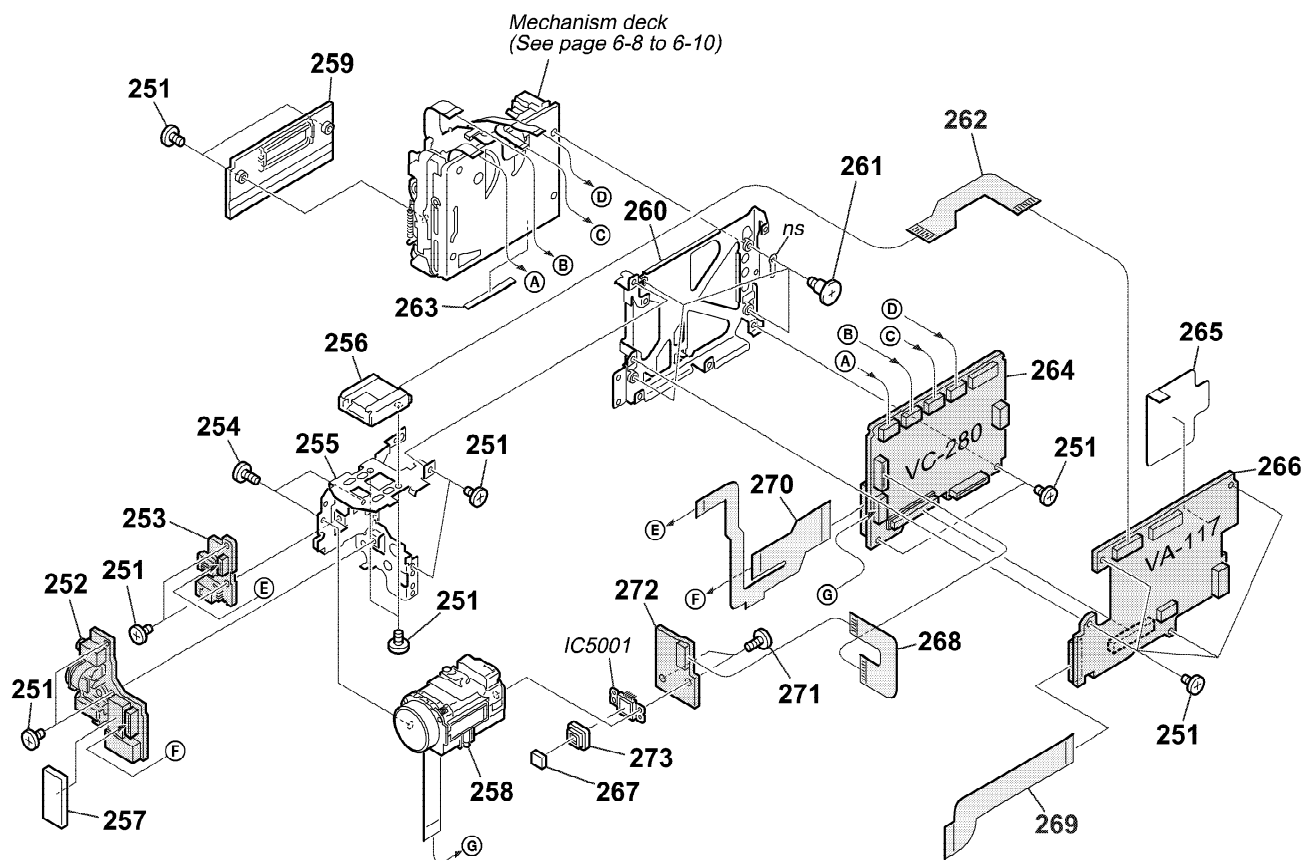
Ref. No.	Part No.	Description
201	4-974-725-01	SCREW (M1.7X2.5), P
202	3-073-454-01	SHEET, VF FLEXIBLE RETAINER
203	3-713-791-31	SCREW (M1.7X6), TAPPING, P2
204	X-3952-234-1	VF BASE ASSY
205	1-684-249-11	FP-435 FLEXIBLE BOARD
206	A-7078-102-A	LB-077 BOARD, COMPLETE
207	3-072-214-01	GUIDE (20), LAMP

Ref. No.	Part No.	Description
208	3-072-211-01	ILLUMINATOR
209	3-072-210-01	SHEET, PRISM
210	X-3952-235-1	VF CABINET (UPPER) ASSY
211	3-059-734-01	CUSHION (1), LCD
212	X-3952-236-1	VF CABINET (LOWER) ASSY
213	X-3951-453-1	LENS ASSY, VF
LCD903	8-753-028-47	LCX032AN-5

# DCR-TRV16/TRV16E/TRV18/TRV18E/TRV116E/TRV118E

## 6-1-6. MAIN CHASSIS COMPLETE SECTION

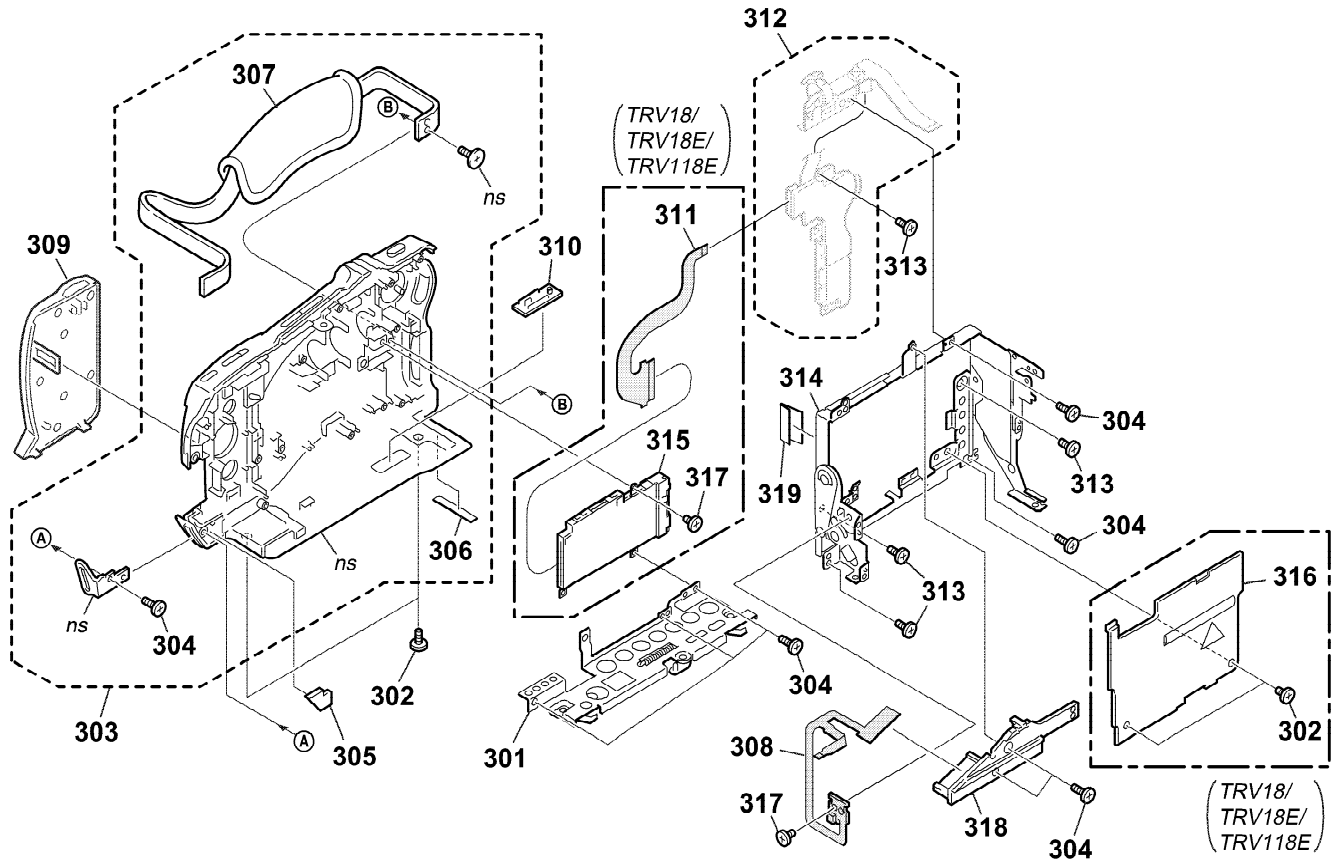
ns : not supplied



Ref. No.	Part No.	Description	Ref. No.	Part No.	Description
251	4-974-725-01	SCREW (M1.7X2.5), P	264	A-7078-278-A	VC-280 BOARD, COMPLETE (SERVICE) (TRV16/TRV16E:E,HK,AUS,CH/TRV116E)
252	A-7078-100-A	JK-217 BOARD, COMPLETE	264	A-7078-279-A	VC-280 (FO) BOARD, COMPLETE (SERVICE) (TRV18E:AEP,UK,EE,NE)
253	A-7078-101-A	JK-218 BOARD, COMPLETE	265	3-074-613-01	VV SHIELD SHEET
254	3-713-791-51	SCREW (M1.7X3.5), TAPPING, P2	266	A-7078-099-A	VA-117 (F) BOARD, COMPLETE (TRV18/TRV18E/TRV118E)
255	3-073-432-01	FRAME (960), LENS	266	A-7078-162-A	VA-117 MOUNT BOARD, COMPLETE (TRV16/TRV16E/TRV116E)
256	1-815-124-11	CONNECTOR, EXTERNAL (HOT SHOE) (TRV18/TRV18E/TRV118E)	267	1-758-155-21	FILTER BLOCK, OPTICAL (OFB-04-14)
256	1-815-124-21	CONNECTOR, EXTERNAL (HOT SHOE) (TRV16/TRV16E/TRV116E)	268	1-684-253-11	FP-439 FLEXIBLE BOARD
257	3-074-612-01	CUSHION, SENSOR PROTECTION	269	1-684-251-11	FP-437 FLEXIBLE BOARD
258	8-848-748-01	DEVICE, LENS LSV-650D	270	1-684-259-11	FP-445 FLEXIBLE BOARD
259	3-059-722-01	COVER, CASSETTE COMPARTMENT	271	3-713-791-41	SCREW (M1.7X5), TAPPING, P2
260	X-3952-233-1	MD FRAME ASSY	272	A-7078-107-A	CD-365 BOARD, COMPLETE
261	3-059-718-01	SCREW (M1.4X1.5)	273	3-053-973-01	RUBBER (W), SEAL
262	1-684-250-11	FP-436 FLEXIBLE BOARD	IC5001	A-7031-244-A	CCD BLOCK ASSY (CCD IMAGER) (TRV16/TRV18)
263	3-059-725-01	LABEL, LS	IC5001	A-7031-276-A	CCD BLOCK ASSY (CCD IMAGER) (TRV16E/TRV116E/TRV18E/TRV118E)
264	A-7078-154-A	VC-280 (F) BOARD, COMPLETE (SERVICE) (TRV18/TRV18E:E,HK,AUS,CH,JE/TRV118E)			
264	A-7078-277-A	VC-280 (O) BOARD, COMPLETE (SERVICE) (TRV16E:AEP,UK,EE,NE)			

6-1-7. CABINET (L) SECTION

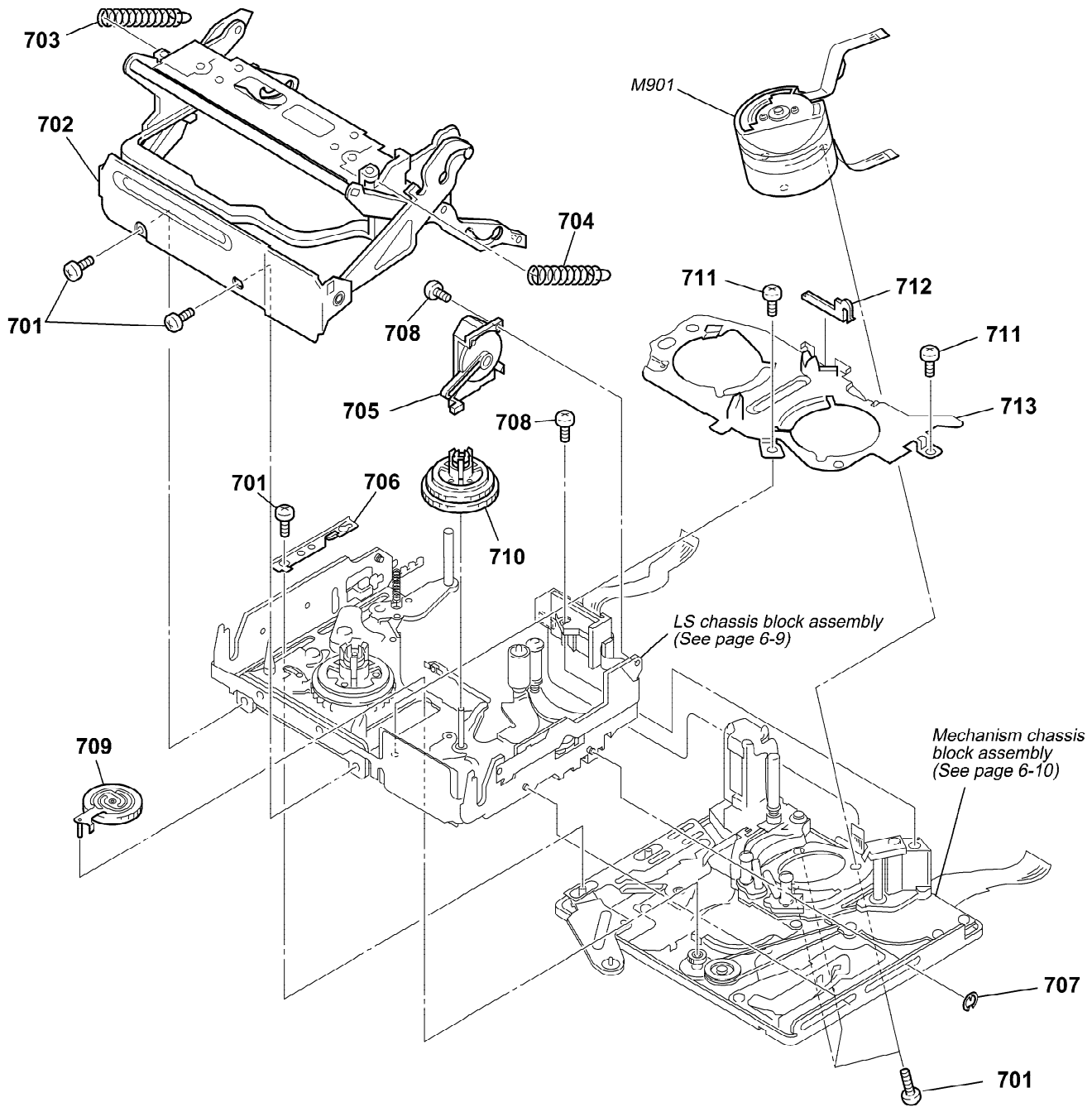
ns : not supplied



Ref. No.	Part No.	Description
301	X-3952-237-1	LOCK ASSY, GRIP
302	3-989-735-91	SCREW (M1.7), LOCK ACE, P2
303	X-3952-414-1	CABINET (L) ASSY (TRV18)
303	X-3952-415-1	CABINET (L) ASSY (TRV18E/TRV118E)
303	X-3952-417-1	CABINET (L) ASSY (TRV16E/TRV116E)
303	X-3952-418-1	CABINET (L) ASSY (TRV16)
304	3-713-791-11	SCREW (M1.7X5), TAPPING, P2
305	3-074-586-01	CUSHION (2), MUFFLE
* 306	3-055-189-01	FOOT (A)
307	3-061-550-01	BELT, GRIP
308	1-684-257-21	FP-443 FLEXIBLE BOARD
309	X-3952-230-1	COVER ASSY, JACK

Ref. No.	Part No.	Description
310	3-073-456-01	EJECT KNOB
311	1-684-252-11	FP-438 FLEXIBLE BOARD (TRV18/TRV18E/TRV118E)
312	1-477-148-11	SWITCH BLOCK, CONTROL (PS-CX2670)
313	3-713-791-51	SCREW (M1.7X3.5), TAPPING, P2
314	X-3952-238-1	CS FRAME ASSY
315	1-816-271-11	CONNECTOR, MEMORY STICK 10P (TRV18/TRV18E/TRV118E)
316	3-073-457-01	COVER, GRIP (TRV18/TRV18E/TRV118E)
317	4-974-725-01	SCREW (M1.7X2.5), P
318	3-073-458-01	COVER, ZOOM
319	3-073-928-01	L SHEET

6-1-8. CASSETTE COMPARTMENT AND DRUM BLOCK ASSEMBLY



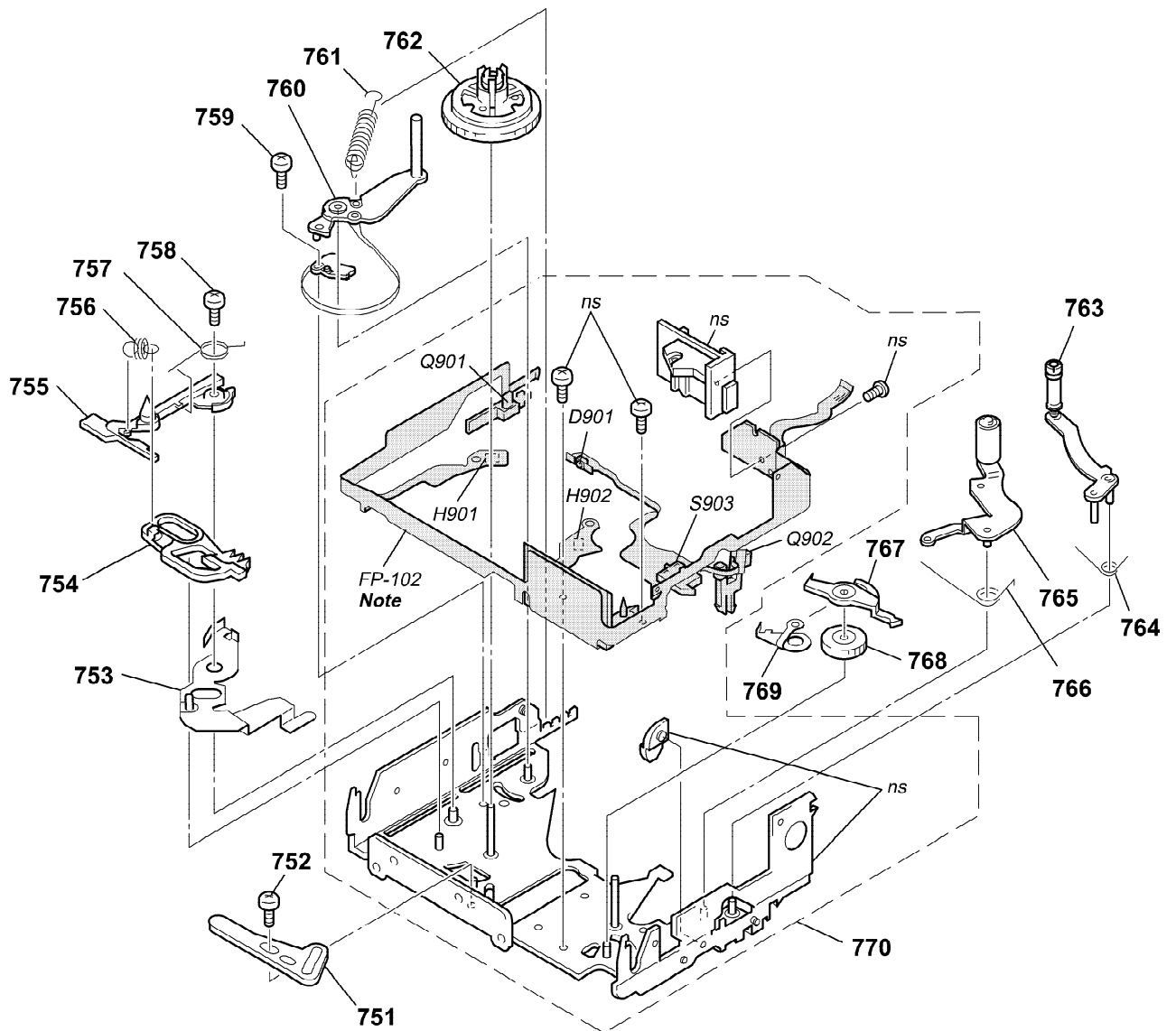
Ref. No.	Part No.	Description
701	3-703-816-14	SCREW (M1.4)
702	X-3952-017-3	CASSETTE COMPARTMENT ASSY
703	3-059-082-01	SPRING, TENSION (CASSETTE COMPARTMENT S)
704	3-059-208-01	SPRING (CASSETTE COMPARTMENT T)
705	X-3950-370-3	DAMPER ASSY
706	3-059-101-03	RETAINER, LS GUIDE
707	7-624-102-04	STOP RING 1.5, TYPE -E

Ref. No.	Part No.	Description
708	3-704-197-21	SCREW (M1.4X2.5), SPECIAL HEAD
709	X-3950-364-1	GEAR ASSY, GOOSENECK
710	X-3950-366-1	TABLE ASSY, T REEL
711	3-075-097-01	SCREW (M1.4X1.4), SPECIAL HEAD
712	3-059-093-01	RETAINER, LED
713	X-3950-361-1	PLATE ASSY, RETAINER
M901	A-7048-940-A	DRUM (DEH-18A-R)



6-1-9. LS CHASSIS BLOCK ASSEMBLY

ns : not supplied



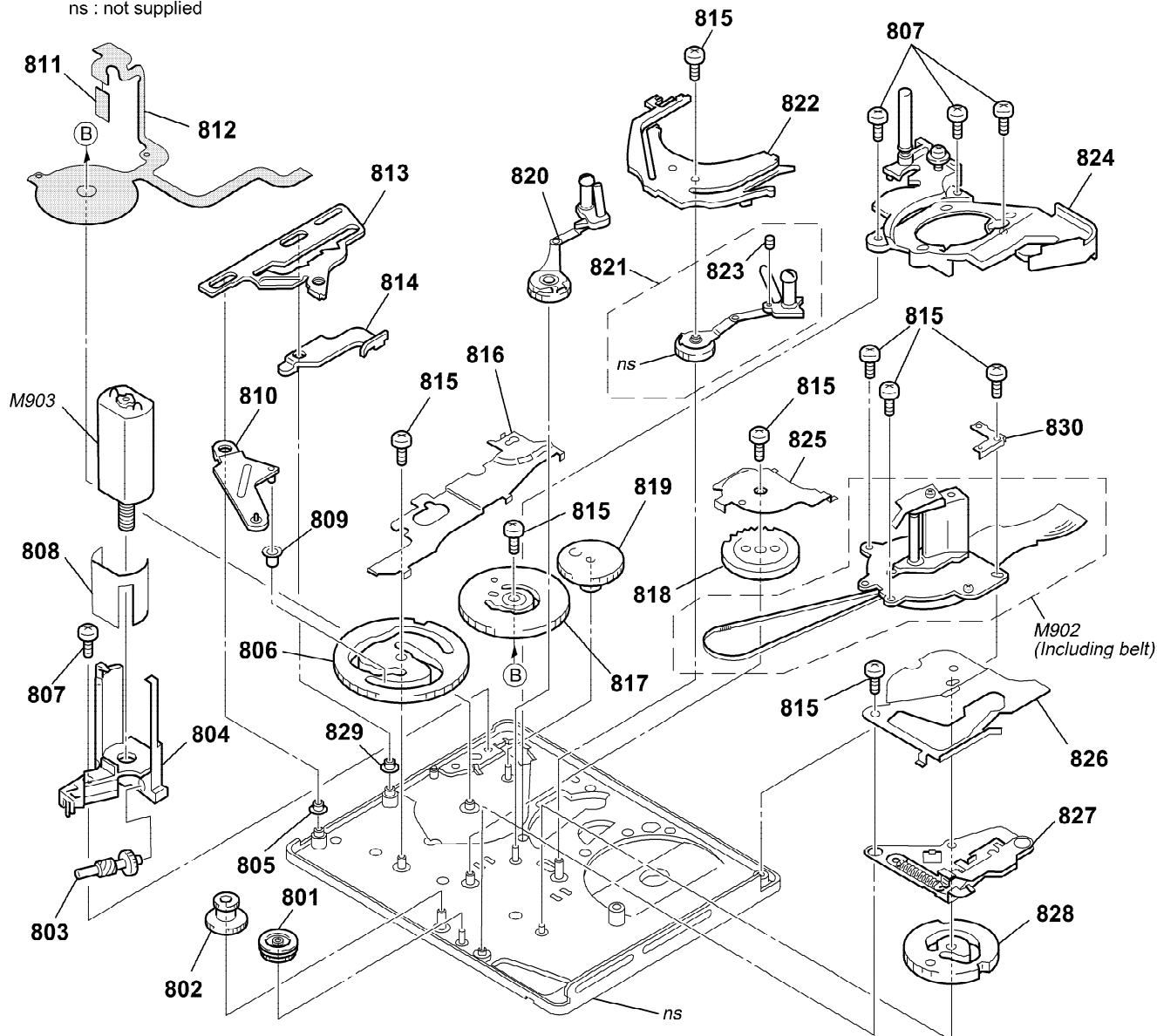
**Note:** FP-102 is included in the LS sub assy and is attached to chassis by hot-press.  
Because installation of FP-102 requires a very high accuracy, FP-102 is not supplied as an independent service parts.

Ref. No.	Part No.	Description	Ref. No.	Part No.	Description
751	3-059-173-01	PLATE, LS CAM	764	3-059-165-01	SPRING (TG7 RETURN), TORSION
752	3-075-097-01	SCREW (M1.4X1.4), SPECIAL HEAD	765	X-3950-359-1	ARM ASSY, PINCH
753	X-3950-371-1	ARM ASSY, BRAKE (S) DRIVING	766	3-059-161-01	SPRING (PINCH RETURN), TORSION
754	3-059-166-01	BRAKE (S)	767	3-059-170-01	BRAKE (T)
755	3-059-146-01	POSITIONING (S), CASSETTE	768	3-059-171-01	GEAR (T), BRAKE
756	3-059-167-01	SPRING (BRAKE S), TENSION COIL	769	3-059-172-01	SPRING (T), BRAKE
757	3-059-169-01	SPRING (BRAKE S ARM), TORSION	770	A-7094-816-B	LS BLOCK ASSY
758	3-703-816-14	SCREW (M1.4)	D901	8-719-078-71	DIODE LA57A, SO (TAPE LED)
759	3-059-090-01	SCREW (M1.4X2.5), SPECIAL HEAD	H901	8-719-067-74	ELEMENT, HOLE HW-105A-CDE-T (S REEL)
* 760	X-3950-358-4	TG1 ASSY	H902	8-719-067-74	ELEMENT, HOLE HW-105A-CDE-T (T REEL)
761	3-059-156-01	SPRING (TENSION REGULATOR)	Q901	8-729-028-71	TRANSISTOR PN166, SO (TAPE END)
762	X-3950-365-2	TABLE ASSY, S REEL	Q902	8-729-028-71	TRANSISTOR PN166, SO (TAPE TOP)
763	A-7094-819-A	TG7 BLOCK ASSY	S903	1-572-288-11	SWITCH, PUSH (C.C.DOWN)

# DCR-TRV16/TRV16E/TRV18/TRV18E/TRV116E/TRV118E

## 6-1-10. MECHANISM CHASSIS BLOCK ASSEMBLY

ns : not supplied



Ref. No.	Part No.	Description
801	3-059-211-01	GEAR, CONVERSION
802	3-059-220-01	GEAR, RELAY
803	3-059-187-01	SHAFT, WORM
804	3-059-186-03	HOLDER, MOTOR
805	3-060-002-01	ROLLER, LS GUIDE
806	3-059-189-01	GEAR (A), CAM
807	3-704-197-21	SCREW (M1.4X2.5), SPECIAL HEAD
808	3-059-225-01	SHIELD, MOTOR
809	3-059-191-01	ROLLER, LS
810	3-059-190-01	ARM, LS
811	1-677-049-11	FP-228 FLEXIBLE BOARD (DEW SENSOR)
812	1-677-084-11	FP-100 FLEXIBLE BOARD
813	3-059-149-01	SLIDER, TG1 CAM
814	3-059-148-01	ARM, TG1 DRIVING
815	3-703-816-14	SCREW (M1.4)
816	3-059-117-01	COVER (A), GEAR
817	X-3950-367-1	GEAR ASSY, MODE

Ref. No.	Part No.	Description
818	3-059-139-01	GEAR, GL DRIVING
819	3-059-188-01	GEAR, DECELERATION
820	A-7094-818-A	COASTER (S) BLOCK ASSY
821	A-7094-817-A	COASTER (T) BLOCK ASSY
822	3-059-126-01	RAIL, GUIDE
823	3-962-914-01	SCREW (M1.4X2)
824	A-7094-822-A	DRUM BASE BLOCK ASSY
825	3-059-118-01	COVER (B), GEAR
826	3-059-083-01	COVER (C), GEAR
827	X-3950-368-1	ARM ASSY, PINCH DRIVING
828	3-059-192-01	GEAR (B), CAM
829	3-063-355-01	ROLLER (S1), LS GUIDE
830	3-065-202-01	SUPPORT, TG7
M902	8-835-685-01	MOTOR, DC SCD18A/C-NP (INCLUDING BELT) (CAPSTAN)
M903	A-7094-823-A	MOTOR BLOCK ASSY, L

**6-2. ELECTRICAL PARTS LIST**

## NOTE:

- Due to standardization, replacements in the parts list may be different from the parts specified in the diagrams or the components used on the set.
- -XX, -X mean standardized parts, so they may have some difference from the original one.
- Items marked "\*" are not stocked since they are seldom required for routine service. Some delay should be anticipated when ordering these items.
- CAPACITORS:  
uF:  $\mu$ F  
COILS  
uH:  $\mu$ H

- RESISTORS  
All resistors are in ohms.  
METAL: metal film resistor  
METAL OXIDE: Metal Oxide-film resistor  
F: nonflammable
- SEMICONDUCTORS  
In each case, u:  $\mu$ , for example:  
uA...:  $\mu$ A..., uPA...,  $\mu$ PA...,  
uPB...,  $\mu$ PB..., uPC...,  $\mu$ PC...,  
uPD...,  $\mu$ PD...
- Abbreviation  
CND : Canadian model  
AUS : Australian model  
CH : Chinese model  
JL : Tourist model

When indicating parts by reference number, please include the board name.

The components identified by mark  $\Delta$  or dotted line with mark  $\Delta$  are critical for safety. Replace only with part number specified.

Les composants identifiés par une marque  $\Delta$  sont critiques pour la sécurité. Ne les remplacer que par une pièce portant le numéro spécifié.

EE : East European model  
NE : North European model  
HK : Hong Kong model  
KR : Korea model

Ref. No.	Part No.	Description
	A-7078-107-A	CD-365 BOARD, COMPLETE ***** (IC5001 is not included in this complete board.)  < CAPACITOR >
C5001	1-104-851-11	TANTAL. CHIP 10uF 20% 10V
C5002	1-162-915-11	CERAMIC CHIP 10PF 0.5PF 50V
C5003	1-162-970-11	CERAMIC CHIP 0.01uF 10% 25V
C5004	1-113-985-11	TANTAL. CHIP 10uF 20% 20V
		< CONNECTOR >
CN5001	1-815-315-11	CONNECTOR, FFC/FPC 16P
CN5002	1-766-336-21	CONNECTOR, FFC/FPC 6P
		< IC >
IC5001	A-7031-244-A	CCD BLOCK ASSY (CCD IMAGER) (TRV16/TRV18)
IC5001	A-7031-276-A	CCD BLOCK ASSY (CCD IMAGER) (TRV16E/TRV116E/TRV18E/TRV118E)
		< COIL >
L5001	1-414-406-11	INDUCTOR 220uH
		< TRANSISTOR >
Q5001	8-729-117-73	TRANSISTOR 2SC4178-F13F14-T1
		< RESISTOR >
R5001	1-216-827-11	METAL CHIP 3.3K 5% 1/16W
	A-7078-105-A	CK-108 BOARD, COMPLETE *****  < BATTERY >
BT5201	1-756-128-11	BATTERY, LITHIUM (SECONDARY)  < CONNECTOR >
CN5201	1-573-927-11	CONNECTOR, FFC/FPC 18P
CN5202	1-815-231-11	CONNECTOR, FFC/FPC (ZIF) 40P
CN5203	1-794-997-11	PIN, CONNECTOR 20P
CN5204	1-794-377-21	PIN, CONNECTOR 8P
CN5205	1-778-506-21	PIN, CONNECTOR (PC BOARD) 2P
CN5207	1-691-346-11	CONNECTOR, FFC/FPC (ZIF) 8P

Be sure to read "Precautions upon replacing CCD imager" on page 4-9 when changing the CCD imager.

Ref. No.	Part No.	Description
		< DIODE >
D5201	8-719-062-16	DIODE 01ZA8.2(TPL3)
D5203	8-719-056-85	DIODE UDZSTE-178.2B
D5204	8-719-062-16	DIODE 01ZA8.2(TPL3)
D5205	8-719-062-16	DIODE 01ZA8.2(TPL3)
D5206	8-719-062-16	DIODE 01ZA8.2(TPL3)
		< RESISTOR >
R5201	1-218-953-11	RES-CHIP 1K 5% 1/16W
R5206	1-218-954-11	RES-CHIP 1.2K 5% 1/16W
R5207	1-218-954-11	RES-CHIP 1.2K 5% 1/16W
R5208	1-218-954-11	RES-CHIP 1.2K 5% 1/16W
R5209	1-218-954-11	RES-CHIP 1.2K 5% 1/16W
R5210	1-218-955-11	RES-CHIP 1.5K 5% 1/16W
R5211	1-218-955-11	RES-CHIP 1.5K 5% 1/16W
R5212	1-218-955-11	RES-CHIP 1.5K 5% 1/16W
R5213	1-218-955-11	RES-CHIP 1.5K 5% 1/16W
R5214	1-218-957-11	RES-CHIP 2.2K 5% 1/16W
R5215	1-218-957-11	RES-CHIP 2.2K 5% 1/16W
R5216	1-218-957-11	RES-CHIP 2.2K 5% 1/16W
R5217	1-218-957-11	RES-CHIP 2.2K 5% 1/16W
R5218	1-218-960-11	RES-CHIP 3.9K 5% 1/16W
R5219	1-218-960-11	RES-CHIP 3.9K 5% 1/16W
R5220	1-218-960-11	RES-CHIP 3.9K 5% 1/16W
R5221	1-218-964-11	RES-CHIP 8.2K 5% 1/16W
R5222	1-218-960-11	RES-CHIP 3.9K 5% 1/16W
R5223	1-218-964-11	RES-CHIP 8.2K 5% 1/16W
R5224	1-218-964-11	RES-CHIP 8.2K 5% 1/16W
R5225	1-218-970-11	RES-CHIP 27K 5% 1/16W
R5226	1-218-964-11	RES-CHIP 8.2K 5% 1/16W
R5227	1-218-990-11	SHORT CHIP 0
R5228	1-218-990-11	SHORT CHIP 0
		< SWITCH >
S5201	1-786-157-11	SWITCH, TACTILE (STOP)
S5202	1-786-157-11	SWITCH, TACTILE (REW)
S5203	1-786-157-11	SWITCH, TACTILE (RESET)
S5204	1-786-157-11	SWITCH, TACTILE (PLAY)
S5205	1-786-157-11	SWITCH, TACTILE (FF)
S5206	1-786-157-11	SWITCH, TACTILE (PAUSE)
S5207	1-786-148-11	SWITCH, PUSH (1 KEY) (PANEL OPEN/CLOSE)

DCR-TRV16/TRV16E/TRV18/TRV18E/TRV116E/TRV118E

FB-219

JK-217

JK-218

LB-077

Ref. No.	Part No.	Description
	A-7078-103-A	FB-219 BOARD, COMPLETE *****
		< CONNECTOR >
CN6001	1-779-327-11	CONNECTOR, FFC/FPC 6P
		< DIODE >
D6001	8-719-074-30	DIODE SML-310LTT86
		< PHOTO INTERRUPTER >
PH6001	8-749-016-83	IC GP1S092HCPI
PH6002	8-749-016-83	IC GP1S092HCPI
		< RESISTOR >
R6001	1-218-990-11	SHORT CHIP 0
R6002	1-218-951-11	RES-CHIP 680 5% 1/16W
R6003	1-218-947-11	RES-CHIP 330 5% 1/16W
	A-7078-100-A	JK-217 BOARD, COMPLETE *****
		< CONNECTOR >
CN5305	1-779-334-11	CONNECTOR, FFC/FPC 20P
		< DIODE >
D5301	8-719-056-85	DIODE UDZSTE-178.2B
D5302	8-719-062-16	DIODE 01ZA8.2(TPL3)
		< FERRITE BEAD >
FB5301	1-500-444-11	FERRITE 0uH
FB5302	1-469-179-21	FERRITE 0uH
FB5303	1-469-179-21	FERRITE 0uH
FB5304	1-469-179-21	FERRITE 0uH
FB5305	1-469-179-21	FERRITE 0uH
FB5307	1-500-444-11	FERRITE 0uH
FB5308	1-500-444-11	FERRITE 0uH
FB5309	1-500-444-11	FERRITE 0uH
FB5310	1-500-444-11	FERRITE 0uH
		< JACK >
J5301	1-793-995-11	JACK, SUPER SMALL TYPE (LANC)
J5302	1-694-651-11	TERMINAL BOARD (S VIDEO/AUDIO/VIDEO)
		< RESISTOR >
R5301	1-216-864-11	METAL CHIP 0 5% 1/16W
R5302	1-216-864-11	METAL CHIP 0 5% 1/16W
R5303	1-216-864-11	METAL CHIP 0 5% 1/16W
R5304	1-216-864-11	METAL CHIP 0 5% 1/16W
R5305	1-216-864-11	METAL CHIP 0 5% 1/16W
		< SENSOR >
SE5301	1-803-042-31	SENSOR, ANGULAR VELOCITY (YAW)
SE5302	1-803-042-41	SENSOR, ANGULAR VELOCITY (PITCH)

Ref. No.	Part No.	Description
		< VARISTOR >
VD5301	1-803-974-21	VARISTOR, CHIP
VD5302	1-801-923-11	VARISTOR, CHIP
VD5303	1-803-974-21	VARISTOR, CHIP
VD5304	1-803-974-21	VARISTOR, CHIP
VD5305	1-803-974-21	VARISTOR, CHIP
VD5306	1-803-974-21	VARISTOR, CHIP
	A-7078-101-A	JK-218 BOARD, COMPLETE *****
		< CONNECTOR >
CN5351	1-794-962-11	CONNECTOR, SQUARE TYPE(USB 5P) (USB)
CN5352	1-794-276-11	CONNECTOR, SQUARE TYPE 4P (DV IN/OUT)
CN5353	1-779-330-21	CONNECTOR, FFC/FPC 12P
		< DIODE >
D5351	8-719-062-16	DIODE 01ZA8.2(TPL3)
D5352	8-719-056-85	DIODE UDZSTE-178.2B
D5353	8-719-056-85	DIODE UDZSTE-178.2B
D5354	8-719-078-02	DIODE 1SS357(T3SONY1)
		< LINE FILTER >
LF5351	1-419-100-21	INDUCTOR 0uH
LF5352	1-419-100-21	INDUCTOR 0uH
		< RESISTOR >
R5351	1-218-965-11	RES-CHIP 10K 5% 1/16W
R5352	1-218-965-11	RES-CHIP 10K 5% 1/16W
		< SWITCH >
S5351	1-786-227-21	SWITCH, TACTILE (SUPER NS)
	A-7078-102-A	LB-077 BOARD, COMPLETE *****
		< CAPACITOR >
C6101	1-125-777-11	CERAMIC CHIP 0.1uF 10% 10V
C6102	1-164-505-11	CERAMIC CHIP 2.2uF 16V
		< CONNECTOR >
CN6101	1-691-358-21	CONNECTOR, FFC/FPC (ZIF) 20P
CN6102	1-691-354-21	CONNECTOR, FFC/FPC (ZIF) 16P
		< DIODE >
D6102	8-719-082-33	DIODE NSCW100-T39
		< IC >
IC6101	8-759-581-11	IC NJM2125F(TE2)
		< TRANSISTOR >
Q6101	8-729-054-48	TRANSISTOR RN4983FE(TPLR3)
Q6102	8-729-054-48	TRANSISTOR N1B04FE-Y/GR(TPLR3)

LB-077

MA-409

PD-161

Ref. No.	Part No.	Description
		< RESISTOR >
R6102	1-208-941-11	METAL CHIP 180K 0.5% 1/16W
R6103	1-208-719-11	METAL CHIP 33K 0.5% 1/16W
R6104	1-218-959-11	RES-CHIP 3.3K 5% 1/16W
R6105	1-216-839-11	METAL CHIP 33K 5% 1/16W
R6106	1-211-977-11	METAL CHIP 22 0.5% 1/10W
		< THERMISTOR >
TH6101	1-810-811-11	THERMISTOR, NTC (1608)
	A-7078-104-A	MA-409 BOARD, COMPLETE *****
		< CAPACITOR >
C5901	1-162-970-11	CERAMIC CHIP 0.01uF 10% 25V
C5902	1-117-919-11	TANTAL. CHIP 10uF 20% 6.3V
		< CONNECTOR >
CN5901	1-816-232-11	PIN, CONNECTOR (PC BOARD) 4P
CN5902	1-779-336-11	CONNECTOR, FFC/FPC 24P
CN5903	1-779-328-21	CONNECTOR, FFC/FPC 8P
		< DIODE >
D5901	8-719-067-44	DIODE CL-310IRS-X-TU
D5902	8-719-067-44	DIODE CL-310IRS-X-TU
D5903	8-719-073-01	DIODE MA111-(K8).S0
D5905	8-719-056-85	DIODE UDZSTE-178.2B
		< FERRITE BEAD >
FB5901	1-500-444-11	FERRITE 0uH
FB5902	1-500-444-11	FERRITE 0uH
FB5903	1-500-444-11	FERRITE 0uH
FB5904	1-500-444-11	FERRITE 0uH
		< IC >
IC5901	8-742-221-00	HYB IC SBX3055-01
		< JACK >
J5901	1-691-737-41	JACK (SMALL TYPE) (MIC(PLUG IN POWER))
J5902	1-569-950-41	JACK (SMALL TYPE) (HEADPHONES)
		< RESISTOR >
R5901	1-216-805-11	METAL CHIP 47 5% 1/16W
		< VARISTOR >
VD5901	1-801-862-11	VARISTOR, CHIP
VD5902	1-801-862-11	VARISTOR, CHIP
VD5903	1-801-862-11	VARISTOR, CHIP
VD5904	1-801-862-11	VARISTOR, CHIP

Ref. No.	Part No.	Description
	A-7078-106-A	PD-161 (25SH123) BOARD, COMPLETE *****
		< CAPACITOR >
C5501	1-117-920-11	TANTAL. CHIP 10uF 20% 6.3V
C5504	1-164-943-11	CERAMIC CHIP 0.01uF 10% 16V
C5505	1-164-943-11	CERAMIC CHIP 0.01uF 10% 16V
C5506	1-164-943-11	CERAMIC CHIP 0.01uF 10% 16V
C5507	1-164-943-11	CERAMIC CHIP 0.01uF 10% 16V
C5508	1-125-777-11	CERAMIC CHIP 0.1uF 10% 10V
C5509	1-135-177-21	TANTALUM CHIP 1uF 20% 20V
C5510	1-164-943-11	CERAMIC CHIP 0.01uF 10% 16V
C5511	1-164-739-11	CERAMIC CHIP 560PF 5% 50V
C5512	1-125-777-11	CERAMIC CHIP 0.1uF 10% 10V
C5513	1-164-943-11	CERAMIC CHIP 0.01uF 10% 16V
C5514	1-117-920-11	TANTAL. CHIP 10uF 20% 6.3V
C5515	1-162-964-11	CERAMIC CHIP 0.001uF 10% 50V
C5516	1-164-870-11	CERAMIC CHIP 68PF 5% 50V
C5517	1-107-826-11	CERAMIC CHIP 0.1uF 10% 16V
C5518	1-107-826-11	CERAMIC CHIP 0.1uF 10% 16V
C5519	1-107-826-11	CERAMIC CHIP 0.1uF 10% 16V
C5520	1-131-615-11	TANTAL. CHIP 6.8uF 20% 16V
C5521	1-127-573-11	CERAMIC CHIP 1uF 10% 16V
C5524	1-127-573-11	CERAMIC CHIP 1uF 10% 16V
C5527	1-164-943-11	CERAMIC CHIP 0.01uF 10% 16V
C5528	1-135-177-21	TANTALUM CHIP 1uF 20% 20V
C5530	1-164-943-11	CERAMIC CHIP 0.01uF 10% 16V
C5531	1-164-943-11	CERAMIC CHIP 0.01uF 10% 16V
C5603	1-164-657-11	CERAMIC CHIP 0.015uF 10% 50V
C5604	1-125-777-11	CERAMIC CHIP 0.1uF 10% 10V
C5605	1-125-777-11	CERAMIC CHIP 0.1uF 10% 10V
△C5606	1-131-959-91	CERAMIC CHIP 12PF 10% 3KV
C5607	1-115-566-11	CERAMIC CHIP 4.7uF 10% 10V
		< CONNECTOR >
CN5501	1-573-364-11	CONNECTOR, FFC/FPC 24P
CN5601	1-764-709-11	CONNECTOR, FFC/FPC (LIF) 10P
CN5651	1-794-377-21	PIN, CONNECTOR 8P
CN5652	1-794-997-11	PIN, CONNECTOR 20P
CN5653	1-691-370-11	CONNECTOR, FFC/FPC 6P
CN5654	1-691-384-11	CONNECTOR, FFC/FPC 20P
		< DIODE >
D5502	8-719-084-47	DIODE 1SV290(TPL3)
D5503	8-719-073-01	DIODE MA111-(K8).S0
D5601	8-719-073-01	DIODE MA111-(K8).S0
D5602	8-719-062-44	DIODE PG1112H-TR
		< FERRITE BEAD >
FB5501	1-414-760-21	FERRITE 0uH
FB5502	1-414-760-21	FERRITE 0uH
FB5503	1-414-760-21	FERRITE 0uH

**Note :**

The components identified by mark △ or dotted line with mark △ are critical for safety. Replace only with part number specified.

**Note :**

Les composants identifiés par une marque △ sont critiques pour la sécurité. Ne les remplacer que par une pièce portant le numéro spécifié.

# DCR-TRV16/TRV16E/TRV18/TRV18E/TRV116E/TRV118E

**PD-161**

**VA-117**

Ref. No.	Part No.	Description
< IC >		
IC5501	8-752-102-40	IC CXA3592R-T4
IC5502	8-759-714-77	IC LZ9FF474
IC5601	8-759-564-49	IC TC7W53FU(TE12R)
IC5602	8-759-075-70	IC TA75S393F-TE85R
IC5651	8-759-573-02	IC BU9735K-E2
< COIL >		
L5501	1-469-555-21	INDUCTOR 10uH
L5503	1-469-891-21	INDUCTOR 6.8uH
L5601	1-428-878-11	INDUCTOR 0uH
< TRANSISTOR >		
Q5502	8-729-041-23	TRANSISTOR MGSF1P02LT1
Q5503	8-729-054-48	TRANSISTOR N1B04FE-Y/GR(TPLR3)
Q5504	8-729-054-48	TRANSISTOR N1B04FE-Y/GR(TPLR3)
Q5505	8-729-042-29	TRANSISTOR RN1104F(TPL3)
Q5601	8-729-042-29	TRANSISTOR RN1104F(TPL3)
Q5603	8-729-054-48	TRANSISTOR RN4983FE(TPLR3)
Q5605	6-550-065-01	TRANSISTOR CPH5504-TL-E
< RESISTOR >		
R5501	1-218-985-11	RES-CHIP 470K 5% 1/16W
R5503	1-208-931-11	METAL CHIP 68K 0.5% 1/16W
R5505	1-218-967-11	RES-CHIP 15K 5% 1/16W
R5506	1-218-958-11	RES-CHIP 2.7K 5% 1/16W
R5507	1-218-973-11	RES-CHIP 47K 5% 1/16W
R5508	1-218-975-11	RES-CHIP 68K 5% 1/16W
R5509	1-218-969-11	RES-CHIP 22K 5% 1/16W
R5510	1-218-975-11	RES-CHIP 68K 5% 1/16W
R5511	1-218-989-11	RES-CHIP 1M 5% 1/16W
R5512	1-218-977-11	RES-CHIP 100K 5% 1/16W
R5513	1-218-989-11	RES-CHIP 1M 5% 1/16W
R5515	1-218-990-11	SHORT CHIP 0
R5516	1-218-965-11	RES-CHIP 10K 5% 1/16W
R5519	1-218-990-11	SHORT CHIP 0
R5521	1-218-973-11	RES-CHIP 47K 5% 1/16W
R5523	1-218-990-11	SHORT CHIP 0
R5531	1-218-980-11	RES-CHIP 180K 5% 1/16W
R5532	1-218-977-11	RES-CHIP 100K 5% 1/16W
R5533	1-218-989-11	RES-CHIP 1M 5% 1/16W
R5534	1-218-953-11	RES-CHIP 1K 5% 1/16W
R5540	1-218-977-11	RES-CHIP 100K 5% 1/16W
R5541	1-218-977-11	RES-CHIP 100K 5% 1/16W
R5552	1-218-957-11	RES-CHIP 2.2K 5% 1/16W
R5591	1-218-953-11	RES-CHIP 1K 5% 1/16W
R5601	1-216-055-00	METAL CHIP 1.8K 5% 1/10W
R5602	1-218-980-11	RES-CHIP 180K 5% 1/16W
R5603	1-218-969-11	RES-CHIP 22K 5% 1/16W
R5605	1-218-942-11	RES-CHIP 120 5% 1/16W
R5606	1-218-969-11	RES-CHIP 22K 5% 1/16W
R5607	1-218-949-11	RES-CHIP 470 5% 1/16W
R5612	1-218-965-11	RES-CHIP 10K 5% 1/16W
R5613	1-218-965-11	RES-CHIP 10K 5% 1/16W
R5651	1-218-946-11	RES-CHIP 270 5% 1/16W
R5652	1-218-987-11	RES-CHIP 680K 5% 1/16W

Ref. No.	Part No.	Description
< COMPOSITION CIRCUIT BLOCK >		
RB5501	1-234-372-21	RES, NETWORK 100X4 (1005)
RB5502	1-234-384-11	RES, NETWORK 1MX4 (1005)
RB5503	1-234-378-21	RES, NETWORK 10KX4 (1005)
< TRANSFORMER >		
△ T5601	1-435-786-31	TRANSFORMER, INVERTER
< VARISTOR >		
VD5651	1-801-862-11	VARISTOR, CHIP
*****		
A-7078-099-A	VA-117 (F) BOARD, COMPLETE (TRV18/TRV18E/TRV118E)	
*****		
A-7078-162-A	VA-117 BOARD, COMPLETE (TRV16/TRV16E/TRV116E)	
*****		
< CAPACITOR >		
C4001	1-125-777-11	CERAMIC CHIP 0.1uF 10% 10V
C4002	1-125-777-11	CERAMIC CHIP 0.1uF 10% 10V (TRV18/TRV18E/TRV118E)
C4003	1-125-777-11	CERAMIC CHIP 0.1uF 10% 10V
C4101	1-164-943-11	CERAMIC CHIP 0.01uF 10% 16V
C4103	1-164-677-11	CERAMIC CHIP 0.033uF 10% 16V
C4104	1-115-467-11	CERAMIC CHIP 0.22uF 10% 10V
C4105	1-125-837-91	CERAMIC CHIP 1uF 10% 6.3V
C4106	1-125-837-91	CERAMIC CHIP 1uF 10% 6.3V
C4107	1-164-943-11	CERAMIC CHIP 0.01uF 10% 16V
C4108	1-125-838-11	CERAMIC CHIP 2.2uF 10% 6.3V
C4109	1-125-838-11	CERAMIC CHIP 2.2uF 10% 6.3V
C4110	1-125-838-11	CERAMIC CHIP 2.2uF 10% 6.3V
C4111	1-135-259-11	TANTAL. CHIP 10uF 20% 6.3V
C4112	1-125-837-91	CERAMIC CHIP 1uF 10% 6.3V
C4113	1-164-943-11	CERAMIC CHIP 0.01uF 10% 16V
C4114	1-125-837-91	CERAMIC CHIP 1uF 10% 6.3V
C4115	1-164-943-11	CERAMIC CHIP 0.01uF 10% 16V
C4116	1-125-777-11	CERAMIC CHIP 0.1uF 10% 10V
C4117	1-125-838-11	CERAMIC CHIP 2.2uF 10% 6.3V
C4118	1-164-943-11	CERAMIC CHIP 0.01uF 10% 16V
C4119	1-164-943-11	CERAMIC CHIP 0.01uF 10% 16V
C4120	1-125-899-11	TANTAL. CHIP 220uF 20% 4V
C4121	1-125-838-11	CERAMIC CHIP 2.2uF 10% 6.3V
C4122	1-125-899-11	TANTAL. CHIP 220uF 20% 4V
C4123	1-135-259-11	TANTAL. CHIP 10uF 20% 6.3V
C4125	1-164-858-11	CERAMIC CHIP 22PF 5% 50V
C4201	1-115-566-11	CERAMIC CHIP 4.7uF 10% 10V
C4204	1-164-943-11	CERAMIC CHIP 0.01uF 10% 16V
C4205	1-164-943-11	CERAMIC CHIP 0.01uF 10% 16V
C4206	1-164-943-11	CERAMIC CHIP 0.01uF 10% 16V
C4208	1-164-943-11	CERAMIC CHIP 0.01uF 10% 16V
C4209	1-164-739-11	CERAMIC CHIP 560PF 5% 50V
C4210	1-125-777-11	CERAMIC CHIP 0.1uF 10% 10V
C4211	1-131-861-91	TANTAL. CHIP 4.7uF 20% 20V
C4212	1-162-964-11	CERAMIC CHIP 0.001uF 10% 50V

<p><b>Note :</b> The components identified by mark △ or dotted line with mark △ are critical for safety. Replace only with part number specified.</p>	<p><b>Note :</b> Les composants identifiés par une marque △ sont critiques pour la sécurité. Ne les remplacer que par une pièce portant le numéro spécifié.</p>
---	---

Ref. No.	Part No.	Description				Ref. No.	Part No.	Description			
C4213	1-164-943-11	CERAMIC CHIP	0.01uF	10%	16V	C4437	1-119-923-81	CERAMIC CHIP	0.047uF	10%	10V
C4214	1-164-876-11	CERAMIC CHIP	120PF	5%	50V	C4501	1-164-941-11	CERAMIC CHIP	0.0047uF	10%	16V
C4215	1-125-837-91	CERAMIC CHIP	1uF	10%	6.3V	C4502	1-164-882-11	CERAMIC CHIP	220PF	5%	16V
C4216	1-125-837-91	CERAMIC CHIP	1uF	10%	6.3V	C4503	1-125-777-11	CERAMIC CHIP	0.1uF	10%	10V
C4217	1-125-837-91	CERAMIC CHIP	1uF	10%	6.3V	C4504	1-119-923-81	CERAMIC CHIP	0.047uF	10%	10V
C4218	1-109-994-11	CERAMIC CHIP	2.2uF	10%	10V	C4505	1-125-777-11	CERAMIC CHIP	0.1uF	10%	10V
C4219	1-164-505-11	CERAMIC CHIP	2.2uF		16V	C4506	1-125-777-11	CERAMIC CHIP	0.1uF	10%	10V
C4302	1-125-837-91	CERAMIC CHIP	1uF	10%	6.3V	C4507	1-164-943-11	CERAMIC CHIP	0.01uF	10%	16V
C4303	1-125-837-91	CERAMIC CHIP	1uF	10%	6.3V	C4508	1-164-941-11	CERAMIC CHIP	0.0047uF	10%	16V
C4304	1-125-837-91	CERAMIC CHIP	1uF	10%	6.3V	C4509	1-164-936-11	CERAMIC CHIP	680PF	10%	50V
C4305	1-135-259-11	TANTAL. CHIP	10uF	20%	6.3V	C4510	1-164-941-11	CERAMIC CHIP	0.0047uF	10%	16V
C4306	1-125-837-91	CERAMIC CHIP	1uF	10%	6.3V	C4511	1-164-938-11	CERAMIC CHIP	0.0015uF	10%	50V
C4307	1-125-837-91	CERAMIC CHIP	1uF	10%	6.3V	C4512	1-164-939-11	CERAMIC CHIP	0.0022uF	10%	50V
C4308	1-125-837-91	CERAMIC CHIP	1uF	10%	6.3V	C4513	1-164-937-11	CERAMIC CHIP	0.001uF	10%	50V
C4309	1-125-777-11	CERAMIC CHIP	0.1uF	10%	10V	C4515	1-164-935-11	CERAMIC CHIP	470PF	10%	50V
C4310	1-125-777-11	CERAMIC CHIP	0.1uF	10%	10V	C4516	1-164-937-11	CERAMIC CHIP	0.001uF	10%	50V
C4311	1-135-259-11	TANTAL. CHIP	10uF	20%	6.3V	C4517	1-164-937-11	CERAMIC CHIP	0.001uF	10%	50V
C4312	1-164-943-11	CERAMIC CHIP	0.01uF	10%	16V	C4518	1-164-937-11	CERAMIC CHIP	0.001uF	10%	50V
C4314	1-164-943-11	CERAMIC CHIP	0.01uF	10%	16V	C4519	1-164-937-11	CERAMIC CHIP	0.001uF	10%	50V
C4315	1-125-837-91	CERAMIC CHIP	1uF	10%	6.3V	C4520	1-164-937-11	CERAMIC CHIP	0.001uF	10%	50V
C4316	1-135-158-21	TANTALUM CHIP	15uF	20%	4V	C4521	1-115-566-11	CERAMIC CHIP	4.7uF	10%	10V
C4317	1-125-837-91	CERAMIC CHIP	1uF	10%	6.3V	C4522	1-115-566-11	CERAMIC CHIP	4.7uF	10%	10V
C4318	1-135-259-11	TANTAL. CHIP	10uF	20%	6.3V	C4523	1-115-566-11	CERAMIC CHIP	4.7uF	10%	10V
C4319	1-135-151-21	TANTALUM CHIP	4.7uF	20%	4V	C4525	1-104-851-11	TANTAL. CHIP	10uF	20%	10V
C4320	1-135-259-11	TANTAL. CHIP	10uF	20%	6.3V	C4526	1-115-566-11	CERAMIC CHIP	4.7uF	10%	10V
C4321	1-164-489-11	CERAMIC CHIP	0.22uF	10%	16V	C4527	1-115-566-11	CERAMIC CHIP	4.7uF	10%	10V
C4322	1-135-259-11	TANTAL. CHIP	10uF	20%	6.3V	C4528	1-115-566-11	CERAMIC CHIP	4.7uF	10%	10V
C4323	1-131-862-91	TANTAL. CHIP	47uF	20%	4V	C4529	1-164-947-11	CERAMIC CHIP	0.01uF		50V
C4324	1-131-862-91	TANTAL. CHIP	47uF	20%	4V	C4530	1-115-566-11	CERAMIC CHIP	4.7uF	10%	10V
C4325	1-125-837-91	CERAMIC CHIP	1uF	10%	6.3V	C4531	1-115-566-11	CERAMIC CHIP	4.7uF	10%	10V
C4326	1-125-837-91	CERAMIC CHIP	1uF	10%	6.3V	C4532	1-115-566-11	CERAMIC CHIP	4.7uF	10%	10V
C4327	1-135-259-11	TANTAL. CHIP	10uF	20%	6.3V	C4533	1-135-259-11	TANTAL. CHIP	10uF	20%	6.3V
C4328	1-135-259-11	TANTAL. CHIP	10uF	20%	6.3V	C4534	1-164-506-11	CERAMIC CHIP	4.7uF		16V
C4401	1-107-819-11	CERAMIC CHIP	0.022uF	10%	16V	C4535	1-164-506-11	CERAMIC CHIP	4.7uF		16V
C4402	1-164-942-11	CERAMIC CHIP	0.0068uF	10%	16V	C4536	1-135-259-11	TANTAL. CHIP	10uF	20%	6.3V
C4403	1-107-819-11	CERAMIC CHIP	0.022uF	10%	16V	C4538	1-165-319-11	CERAMIC CHIP	0.1uF		50V
C4404	1-164-942-11	CERAMIC CHIP	0.0068uF	10%	16V	C4539	1-135-259-11	TANTAL. CHIP	10uF	20%	6.3V
C4405	1-164-943-11	CERAMIC CHIP	0.01uF	10%	16V	C4541	1-135-259-11	TANTAL. CHIP	10uF	20%	6.3V
C4406	1-135-259-11	TANTAL. CHIP	10uF	20%	6.3V	C4543	1-125-777-11	CERAMIC CHIP	0.1uF	10%	10V
C4410	1-164-937-11	CERAMIC CHIP	0.001uF	10%	50V	C4544	1-104-851-11	TANTAL. CHIP	10uF	20%	10V
C4411	1-135-259-11	TANTAL. CHIP	10uF	20%	6.3V	C4546	1-113-987-11	TANTAL. CHIP	4.7uF	20%	25V
C4412	1-164-874-11	CERAMIC CHIP	100PF	5%	50V	C4547	1-119-750-11	TANTAL. CHIP	22uF	20%	6.3V
C4413	1-164-874-11	CERAMIC CHIP	100PF	5%	50V	C4548	1-119-750-11	TANTAL. CHIP	22uF	20%	6.3V
C4414	1-164-937-11	CERAMIC CHIP	0.001uF	10%	50V	C4549	1-135-259-11	TANTAL. CHIP	10uF	20%	6.3V
C4416	1-164-874-11	CERAMIC CHIP	100PF	5%	50V	C4550	1-119-750-11	TANTAL. CHIP	22uF	20%	6.3V
C4417	1-164-874-11	CERAMIC CHIP	100PF	5%	50V	C4551	1-104-913-11	TANTAL. CHIP	10uF	20%	16V
C4419	1-125-777-11	CERAMIC CHIP	0.1uF	10%	10V	C4553	1-135-259-11	TANTAL. CHIP	10uF	20%	6.3V
C4420	1-125-777-11	CERAMIC CHIP	0.1uF	10%	10V	C4554	1-164-505-11	CERAMIC CHIP	2.2uF		16V
C4421	1-125-777-11	CERAMIC CHIP	0.1uF	10%	10V	C4555	1-164-505-11	CERAMIC CHIP	2.2uF		16V
C4423	1-125-777-11	CERAMIC CHIP	0.1uF	10%	10V	C4556	1-135-259-11	TANTAL. CHIP	10uF	20%	6.3V
C4425	1-164-943-11	CERAMIC CHIP	0.01uF	10%	16V	C4557	1-104-847-11	TANTAL. CHIP	22uF	20%	4V
C4426	1-164-943-11	CERAMIC CHIP	0.01uF	10%	16V	C4559	1-104-847-11	TANTAL. CHIP	22uF	20%	4V
C4427	1-164-943-11	CERAMIC CHIP	0.01uF	10%	16V	C4601	1-125-777-11	CERAMIC CHIP	0.1uF	10%	10V
C4428	1-164-942-11	CERAMIC CHIP	0.0068uF	10%	16V	C4602	1-125-777-11	CERAMIC CHIP	0.1uF	10%	10V
C4429	1-164-942-11	CERAMIC CHIP	0.0068uF	10%	16V	C4603	1-107-819-11	CERAMIC CHIP	0.022uF	10%	16V
C4430	1-164-943-11	CERAMIC CHIP	0.01uF	10%	16V	C4604	1-119-751-11	TANTAL. CHIP	22uF	20%	16V
C4432	1-104-847-11	TANTAL. CHIP	22uF	20%	4V	C4605	1-119-751-11	TANTAL. CHIP	22uF	20%	16V
C4433	1-164-943-11	CERAMIC CHIP	0.01uF	10%	16V	C4606	1-119-751-11	TANTAL. CHIP	22uF	20%	16V
C4434	1-125-837-91	CERAMIC CHIP	1uF	10%	6.3V	C4607	1-109-982-11	CERAMIC CHIP	1uF	10%	10V
C4435	1-119-923-81	CERAMIC CHIP	0.047uF	10%	10V						(TRV18/TRV18E/TRV118E)
						C4608	1-109-982-11	CERAMIC CHIP	1uF	10%	10V

# DCR-TRV16/TRV16E/TRV18/TRV18E/TRV116E/TRV118E

**VA-117**

Ref. No.	Part No.	Description
< CONNECTOR >		
CN4001	1-691-384-11	CONNECTOR, FFC/FPC 20P
CN4002	1-774-603-21	CONNECTOR, BOARD TO BOARD 100P
CN4003	1-691-388-11	CONNECTOR, FFC/FPC 24P
CN4004	1-691-376-21	CONNECTOR, FFC/FPC 12P
CN4201	1-766-350-21	CONNECTOR, FFC/FPC 20P
* CN4601	1-580-789-21	PIN, CONNECTOR (SMD) 6P
< DIODE >		
D4001	8-719-062-16	DIODE 01ZA8.2(TPL3)
D4003	8-719-062-16	DIODE 01ZA8.2(TPL3)
D4004	8-719-062-16	DIODE 01ZA8.2(TPL3)
D4005	8-719-062-16	DIODE 01ZA8.2(TPL3)
D4006	8-719-056-85	DIODE UDZSTE-178.2B
D4201	8-719-084-47	DIODE 1SV290(TPL3)
D4502	8-719-081-19	DIODE 1SS383(T5RSONY1)
D4503	8-719-081-19	DIODE 1SS383(T5RSONY1)
D4601	8-719-062-16	DIODE 01ZA8.2(TPL3)
D4602	8-719-081-19	DIODE 1SS383(T5RSONY1)
< FUSE >		
△ F4601	1-576-406-21	FUSE, MICRO (1.4A/32V) (1608)
△ F4602	1-576-406-21	FUSE, MICRO (1.4A/32V) (1608)
△ F4603	1-576-406-21	FUSE, MICRO (1.4A/32V) (1608)
△ F4604	1-576-406-21	FUSE, MICRO (1.4A/32V) (1608)
△ F4605	1-576-406-21	FUSE, MICRO (1.4A/32V) (1608)
(TRV18/TRV18E/TRV118E)		
△ F4606	1-576-406-21	FUSE, MICRO (1.4A/32V) (1608)
< FERRITE BEAD >		
FB4101	1-469-676-22	FERRITE 0uH
FB4201	1-469-676-22	FERRITE 0uH
FB4202	1-500-329-21	FERRITE 0uH
FB4301	1-469-676-22	FERRITE 0uH
< IC >		
IC4101	6-701-555-01	IC AN2225NFHQBA
IC4201	8-752-100-95	IC CXA3289AR-T4
IC4202	8-752-405-57	IC CXD3501AR-T4
IC4301	6-701-074-01	IC LA74207W-TBM-E
IC4401	8-759-679-11	IC BH7870AKV-E2
IC4501	8-752-102-78	IC CXA3282R-T6
IC4505	6-700-139-01	IC R1121N191B-TL
< COIL >		
L4101	1-469-525-91	INDUCTOR 10uH
L4102	1-469-525-91	INDUCTOR 10uH
L4201	1-469-525-91	INDUCTOR 10uH
L4202	1-469-891-21	INDUCTOR 6.8uH
L4301	1-469-525-91	INDUCTOR 10uH
L4401	1-469-528-91	INDUCTOR 100uH
L4501	1-416-670-11	INDUCTOR 33uH
L4502	1-416-669-11	INDUCTOR 22uH
L4503	1-416-669-11	INDUCTOR 22uH
L4504	1-416-669-11	INDUCTOR 22uH

Ref. No.	Part No.	Description
L4505	1-416-670-11	INDUCTOR 33uH
L4506	1-416-669-11	INDUCTOR 22uH
L4507	1-469-524-91	INDUCTOR 4.7uH
L4508	1-469-524-91	INDUCTOR 4.7uH
L4509	1-469-524-91	INDUCTOR 4.7uH
L4510	1-469-524-91	INDUCTOR 4.7uH
L4511	1-412-056-11	INDUCTOR 4.7uH
L4513	1-414-392-41	INDUCTOR 1uH
L4514	1-412-056-11	INDUCTOR 4.7uH
L4515	1-469-524-91	INDUCTOR 4.7uH
L4516	1-469-526-91	INDUCTOR 22uH
L4517	1-469-524-91	INDUCTOR 4.7uH
L4519	1-469-524-91	INDUCTOR 4.7uH
L4520	1-414-392-41	INDUCTOR 1uH
L4522	1-414-392-41	INDUCTOR 1uH
L4601	1-412-056-11	INDUCTOR 4.7uH
< LINE FILTER >		
LF4601	1-411-957-11	FILTER, COMMON MODE
< TRANSISTOR >		
Q4001	8-729-037-76	TRANSISTOR RN1111F(TPL3)
Q4003	8-729-049-92	TRANSISTOR 2SC5585H-T2L
Q4101	8-729-037-52	TRANSISTOR 2SC4738F-Y/GR(TPL3)
Q4102	8-729-037-61	TRANSISTOR RN2104F(TPL3)
Q4103	8-729-053-52	TRANSISTOR N1C01FE-Y/GR(TPLR3)
Q4301	8-729-921-51	TRANSISTOR 2SD1834-T100
Q4303	8-729-054-51	TRANSISTOR RN2910FE(TPLR3)
Q4304	8-729-042-29	TRANSISTOR RN1104F(TPL3)
Q4305	8-729-054-52	TRANSISTOR RN1910FE(TPLR3)
Q4306	8-729-037-63	TRANSISTOR UN9115J-(K8).S0
Q4307	8-729-054-52	TRANSISTOR RN1910FE(TPLR3)
Q4501	8-729-043-60	TRANSISTOR CPH6102-TL-E
Q4502	8-729-101-07	TRANSISTOR 2SB798-T1-DLDK
Q4503	8-729-046-98	TRANSISTOR CPH6702-TL-E
Q4504	8-729-037-53	TRANSISTOR 2SA1832F-Y/GR(TPL3)
Q4505	8-729-046-98	TRANSISTOR CPH6702-TL-E
Q4506	8-729-044-33	TRANSISTOR CPH6701-TL-E
Q4507	8-729-053-52	TRANSISTOR N1C01FE-Y/GR(TPLR3)
Q4508	8-729-046-98	TRANSISTOR CPH6702-TL-E
Q4509	8-729-044-33	TRANSISTOR CPH6701-TL-E
Q4510	8-729-046-98	TRANSISTOR CPH6702-TL-E
Q4511	8-729-044-58	TRANSISTOR SI2304DS-T1
Q4512	8-729-044-58	TRANSISTOR SI2304DS-T1
Q4513	8-729-042-29	TRANSISTOR RN1104F(TPL3)
Q4514	8-729-037-52	TRANSISTOR 2SC4738F-Y/GR(TPL3)
Q4515	8-729-037-53	TRANSISTOR 2SA1832F-Y/GR(TPL3)
Q4516	8-729-053-52	TRANSISTOR N1C01FE-Y/GR(TPLR3)
Q4517	8-729-037-52	TRANSISTOR 2SC4738F-Y/GR(TPL3)
Q4518	8-729-053-54	TRANSISTOR N1A01FE-Y/GR(TPLR3)
Q4519	8-729-037-52	TRANSISTOR 2SC4738F-Y/GR(TPL3)
Q4520	8-729-053-54	TRANSISTOR N1A01FE-Y/GR(TPLR3)
Q4521	8-729-037-52	TRANSISTOR 2SC4738F-Y/GR(TPL3)
Q4601	8-729-047-68	TRANSISTOR SSM3K03FE(TPL3)
Q4602	8-729-056-54	TRANSISTOR TPCS8302(Te12L)
Q4603	8-729-804-41	TRANSISTOR 2SB1122-ST-TD

**Note :**

The components identified by mark △ or dotted line with mark △ are critical for safety. Replace only with part number specified.

**Note :**

Les composants identifiés par une marque △ sont critiques pour la sécurité. Ne les remplacer que par une pièce portant le numéro spécifié.



Ref. No.	Part No.	Description	Ref. No.	Part No.	Description						
Q4604	8-729-042-29	TRANSISTOR	RN1104F(TPL3)	R4217	1-218-989-11	METAL CHIP	1M	0.5%	1/16W		
Q4605	8-729-042-29	TRANSISTOR	RN1104F(TPL3)	R4221	1-218-990-11	SHORT CHIP	0				
Q4606	8-729-037-61	TRANSISTOR	RN2104F(TPL3) (TRV18/TRV18E/TRV118E)	R4222	1-218-990-11	SHORT CHIP	0				
Q4607	8-729-037-61	TRANSISTOR	RN2104F(TPL3)	R4223	1-218-990-11	SHORT CHIP	0				
Q4608	8-729-023-89	TRANSISTOR	2SJ305(TE85L) (TRV18/TRV18E/TRV118E)	R4224	1-218-953-11	RES-CHIP	1K	5%	1/16W		
Q4609	8-729-023-89	TRANSISTOR	2SJ305(TE85L)	R4301	1-218-971-11	RES-CHIP	33K	5%	1/16W		
Q4610	8-729-056-54	TRANSISTOR	TPCS8302(TE12L) (TRV18/TRV18E/TRV118E)	R4302	1-218-981-11	RES-CHIP	220K	5%	1/16W		
Q4611	8-729-056-19	TRANSISTOR	TPC6101(TE85R) (TRV16/TRV16E/TRV116E)	R4303	1-218-960-11	RES-CHIP	3.9K	5%	1/16W		
		< RESISTOR >		R4304	1-218-965-11	RES-CHIP	10K	5%	1/16W		
R4001	1-218-990-11	SHORT CHIP	0 (TRV18/TRV18E/TRV118E)	R4305	1-218-965-11	RES-CHIP	10K	5%	1/16W		
R4002	1-218-990-11	SHORT CHIP	0	R4306	1-218-957-11	RES-CHIP	2.2K	5%	1/16W		
R4003	1-218-990-11	SHORT CHIP	0 (TRV18/TRV18E/TRV118E)	R4307	1-218-957-11	RES-CHIP	2.2K	5%	1/16W		
R4004	1-218-990-11	SHORT CHIP	0 (TRV18/TRV18E/TRV118E)	R4308	1-218-973-11	RES-CHIP	47K	5%	1/16W		
R4005	1-218-990-11	SHORT CHIP	0 (TRV18/TRV18E/TRV118E)	R4309	1-218-973-11	RES-CHIP	47K	5%	1/16W		
R4009	1-218-939-11	RES-CHIP	68	5%	1/16W	R4310	1-218-953-11	RES-CHIP	1K	5%	1/16W
R4010	1-218-959-11	RES-CHIP	3.3K	5%	1/16W	R4311	1-218-953-11	RES-CHIP	1K	5%	1/16W
R4011	1-216-017-91	RES-CHIP	47	5%	1/10W	R4316	1-218-937-11	RES-CHIP	47	5%	1/16W
R4012	1-216-017-91	RES-CHIP	47	5%	1/10W	R4317	1-218-937-11	RES-CHIP	47	5%	1/16W
R4013	1-218-990-11	SHORT CHIP	0			R4318	1-218-937-11	RES-CHIP	47	5%	1/16W
R4101	1-218-961-11	RES-CHIP	4.7K	5%	1/16W	R4319	1-218-937-11	RES-CHIP	47	5%	1/16W
R4102	1-218-961-11	RES-CHIP	4.7K	5%	1/16W	R4401	1-218-957-11	RES-CHIP	2.2K	5%	1/16W
R4103	1-218-941-81	RES-CHIP	100	5%	1/16W	R4402	1-218-958-11	RES-CHIP	2.7K	5%	1/16W
R4104	1-218-981-11	RES-CHIP	220K	5%	1/16W	R4403	1-218-965-11	RES-CHIP	10K	5%	1/16W
R4105	1-218-953-11	RES-CHIP	1K	5%	1/16W	R4404	1-218-961-11	RES-CHIP	4.7K	5%	1/16W
R4106	1-218-953-11	RES-CHIP	1K	5%	1/16W	R4405	1-218-990-11	SHORT CHIP	0		
R4107	1-208-715-11	METAL CHIP	22K	0.5%	1/16W	R4406	1-218-957-11	RES-CHIP	2.2K	5%	1/16W
R4108	1-218-953-11	RES-CHIP	1K	5%	1/16W	R4407	1-218-957-11	RES-CHIP	2.2K	5%	1/16W
R4109	1-218-953-11	RES-CHIP	1K	5%	1/16W	R4408	1-218-963-11	RES-CHIP	6.8K	5%	1/16W
R4110	1-218-965-11	RES-CHIP	10K	5%	1/16W	R4409	1-218-963-11	RES-CHIP	6.8K	5%	1/16W
R4111	1-218-957-11	RES-CHIP	2.2K	5%	1/16W	R4410	1-218-953-11	RES-CHIP	1K	5%	1/16W
R4112	1-218-935-11	RES-CHIP	33	5%	1/16W	R4411	1-218-953-11	RES-CHIP	1K	5%	1/16W
R4113	1-218-935-11	RES-CHIP	33	5%	1/16W	R4415	1-218-969-11	RES-CHIP	22K	5%	1/16W
R4114	1-218-935-11	RES-CHIP	33	5%	1/16W	R4417	1-218-969-11	RES-CHIP	22K	5%	1/16W
R4115	1-218-935-11	RES-CHIP	33	5%	1/16W	R4418	1-218-973-11	RES-CHIP	47K	5%	1/16W
R4116	1-218-935-11	RES-CHIP	33	5%	1/16W	R4419	1-218-973-11	RES-CHIP	47K	5%	1/16W
R4117	1-218-935-11	RES-CHIP	33	5%	1/16W	R4420	1-218-966-11	RES-CHIP	12K	5%	1/16W
R4118	1-218-953-11	RES-CHIP	1K	5%	1/16W	R4421	1-218-966-11	RES-CHIP	12K	5%	1/16W
R4119	1-218-953-11	RES-CHIP	1K	5%	1/16W	R4422	1-218-990-11	SHORT CHIP	0		
R4120	1-218-953-11	RES-CHIP	1K	5%	1/16W	R4423	1-218-965-11	RES-CHIP	10K	5%	1/16W
R4121	1-218-953-11	RES-CHIP	1K	5%	1/16W	R4424	1-218-966-11	RES-CHIP	12K	5%	1/16W
R4201	1-218-985-11	RES-CHIP	470K	5%	1/16W	R4425	1-218-977-11	RES-CHIP	100K	5%	1/16W
R4202	1-208-935-11	METAL CHIP	100K	0.5%	1/16W	R4427	1-218-959-11	RES-CHIP	3.3K	5%	1/16W
R4203	1-218-990-11	SHORT CHIP	0			R4430	1-218-990-11	SHORT CHIP	0		
R4205	1-218-958-11	RES-CHIP	2.7K	5%	1/16W	R4501	1-208-715-11	METAL CHIP	22K	0.5%	1/16W
R4206	1-218-973-11	RES-CHIP	47K	5%	1/16W	R4502	1-218-971-11	RES-CHIP	33K	5%	1/16W
R4207	1-218-975-11	RES-CHIP	68K	5%	1/16W	R4503	1-218-963-11	RES-CHIP	6.8K	5%	1/16W
R4208	1-218-969-11	RES-CHIP	22K	5%	1/16W	R4504	1-218-985-11	METAL CHIP	470K	0.5%	1/16W
R4209	1-218-975-11	RES-CHIP	68K	5%	1/16W	R4505	1-218-990-11	SHORT CHIP	0		
R4210	1-218-989-11	RES-CHIP	1M	5%	1/16W	R4506	1-218-967-11	RES-CHIP	15K	5%	1/16W
R4211	1-218-977-11	RES-CHIP	100K	5%	1/16W	R4507	1-218-965-11	RES-CHIP	10K	5%	1/16W
R4212	1-218-941-81	RES-CHIP	100	5%	1/16W	R4508	1-208-935-11	METAL CHIP	100K	0.5%	1/16W
R4213	1-218-941-81	RES-CHIP	100	5%	1/16W	R4509	1-216-864-11	METAL CHIP	0	5%	1/16W
R4214	1-218-941-81	RES-CHIP	100	5%	1/16W	R4510	1-218-990-11	SHORT CHIP	0		
R4216	1-208-927-11	METAL CHIP	47K	0.5%	1/16W	R4511	1-218-969-11	RES-CHIP	22K	5%	1/16W
						R4512	1-218-961-11	RES-CHIP	4.7K	5%	1/16W
						R4513	1-218-990-11	SHORT CHIP	0		
						R4514	1-218-961-11	RES-CHIP	4.7K	5%	1/16W
						R4515	1-208-713-11	METAL CHIP	18K	0.5%	1/16W
						R4517	1-218-990-11	SHORT CHIP	0		
						R4518	1-218-971-11	RES-CHIP	33K	5%	1/16W

# DCR-TRV16/TRV16E/TRV18/TRV18E/TRV116E/TRV118E

**VA-117**

**VC-280**

Ref. No.	Part No.	Description			
R4519	1-218-969-11	RES-CHIP	22K	5%	1/16W
R4520	1-218-965-11	RES-CHIP	10K	5%	1/16W
R4521	1-218-990-11	SHORT CHIP	0		
R4524	1-218-973-11	RES-CHIP	47K	5%	1/16W
R4525	1-218-961-11	RES-CHIP	4.7K	5%	1/16W
R4526	1-218-970-11	METAL CHIP	27K	0.5%	1/16W
R4527	1-208-720-11	METAL CHIP	36K	0.5%	1/16W
R4528	1-218-973-11	RES-CHIP	47K	5%	1/16W
R4529	1-218-969-11	RES-CHIP	22K	5%	1/16W
R4531	1-218-973-11	RES-CHIP	47K	5%	1/16W
R4532	1-218-977-11	RES-CHIP	100K	5%	1/16W
R4533	1-218-969-11	RES-CHIP	22K	5%	1/16W
R4534	1-208-935-11	METAL CHIP	100K	0.5%	1/16W
R4535	1-208-927-11	METAL CHIP	47K	0.5%	1/16W
R4536	1-208-711-11	METAL CHIP	15K	0.5%	1/16W
R4537	1-218-977-11	RES-CHIP	100K	5%	1/16W
R4538	1-218-969-11	RES-CHIP	22K	5%	1/16W
R4539	1-208-935-11	METAL CHIP	100K	0.5%	1/16W
R4540	1-218-967-11	RES-CHIP	15K	5%	1/16W
R4541	1-208-943-11	METAL CHIP	220K	0.5%	1/16W
R4542	1-218-977-11	RES-CHIP	100K	5%	1/16W
R4543	1-218-977-11	RES-CHIP	100K	5%	1/16W
R4544	1-218-961-11	RES-CHIP	4.7K	5%	1/16W
R4545	1-208-943-11	METAL CHIP	220K	0.5%	1/16W
R4546	1-208-931-11	METAL CHIP	68K	0.5%	1/16W
R4550	1-208-699-11	METAL CHIP	4.7K	0.5%	1/16W
R4551	1-208-927-11	METAL CHIP	47K	0.5%	1/16W
R4552	1-208-711-11	METAL CHIP	15K	0.5%	1/16W
R4554	1-218-990-11	SHORT CHIP	0		
R4601	1-218-953-11	RES-CHIP	1K	5%	1/16W
R4604	1-218-977-11	RES-CHIP	100K	5%	1/16W
R4605	1-218-989-11	RES-CHIP	1M	5%	1/16W
R4607	1-216-797-11	METAL CHIP	10	5%	1/16W
R4608	1-218-953-11	RES-CHIP	1K	5%	1/16W
R4609	1-218-963-11	RES-CHIP	6.8K	5%	1/16W
R4610	1-218-973-11	RES-CHIP	47K	5%	1/16W
		(TRV18/TRV18E/TRV118E)			
R4611	1-218-973-11	RES-CHIP	47K	5%	1/16W
R4612	1-218-941-81	RES-CHIP	100	5%	1/16W
		(TRV18/TRV18E/TRV118E)			
R4613	1-218-989-11	RES-CHIP	1M	5%	1/16W
		(TRV18/TRV18E/TRV118E)			
R4614	1-218-941-81	RES-CHIP	100	5%	1/16W
R4615	1-218-989-11	RES-CHIP	1M	5%	1/16W
R4617	1-218-953-11	RES-CHIP	1K	5%	1/16W
		(TRV18/TRV18E/TRV118E)			
R4618	1-218-953-11	RES-CHIP	1K	5%	1/16W
		(TRV18/TRV18E/TRV118E)			

< TRANSFORMER >

△ T4501 1-435-252-21 TRANSFORMER, DC-DC CONVERTER

Ref. No.	Part No.	Description
A-7078-154-A	VC-280 (F) BOARD, COMPLETE (SERVICE)	(TRV18/TRV18E:E,HK,AUS,CH,JE/TRV118E)
	*****	
A-7078-277-A	VC-280 (O) BOARD, COMPLETE (SERVICE)	(TRV16E:AEP,UK,EE,NE)
	*****	
A-7078-278-A	VC-280 BOARD, COMPLETE (SERVICE)	(TRV16/TRV16E:E,HK,AUS,CH/TRV116E)
	*****	
A-7078-279-A	VC-280 (FO) BOARD, COMPLETE (SERVICE)	(TRV18E:AEP,UK,EE,NE)
	*****	

**Electrical parts list of the VC-280 board are not shown.  
Pages from 6-19 to 6-24 are not shown.**

**Note :**

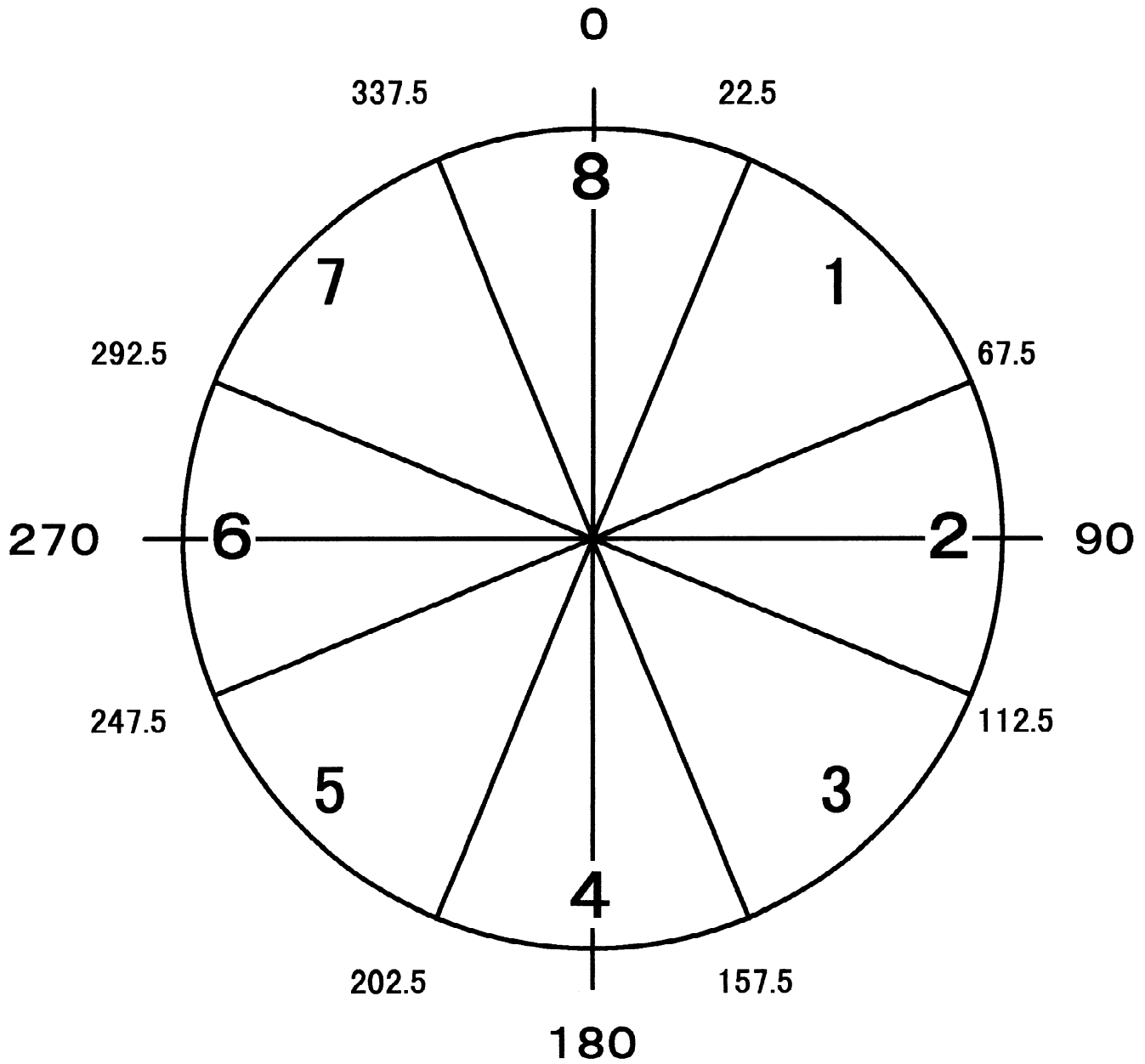
The components identified by mark △ or dotted line with mark △ are critical for safety. Replace only with part number specified.

**Note :**

Les composants identifiés par une marque △ sont critiques pour la sécurité. Ne les remplacer que par une pièce portant le numéro spécifié.



〈OPTICAL AXIS FRAME〉

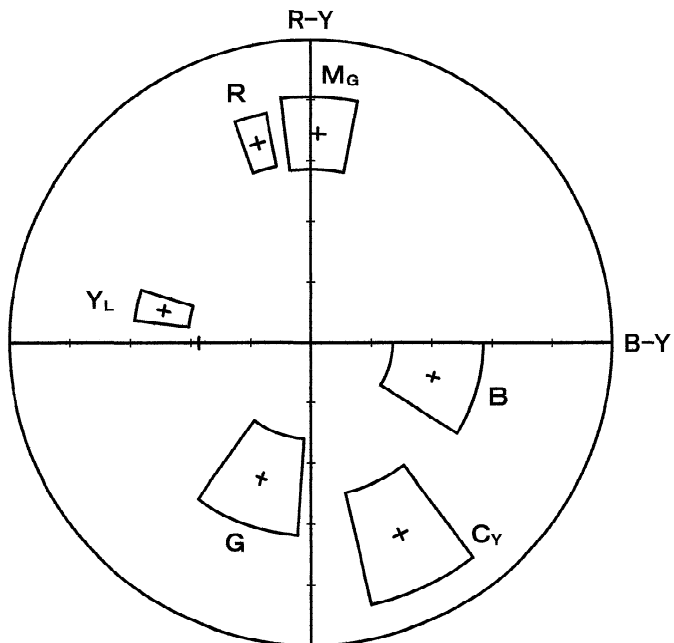


Take a copy of OPTICAL AXIS FRAME with a clear sheet for use.



〈FOR CAMERA COLOR REPRODUCTION ADJUSTMENT〉

For NTSC model

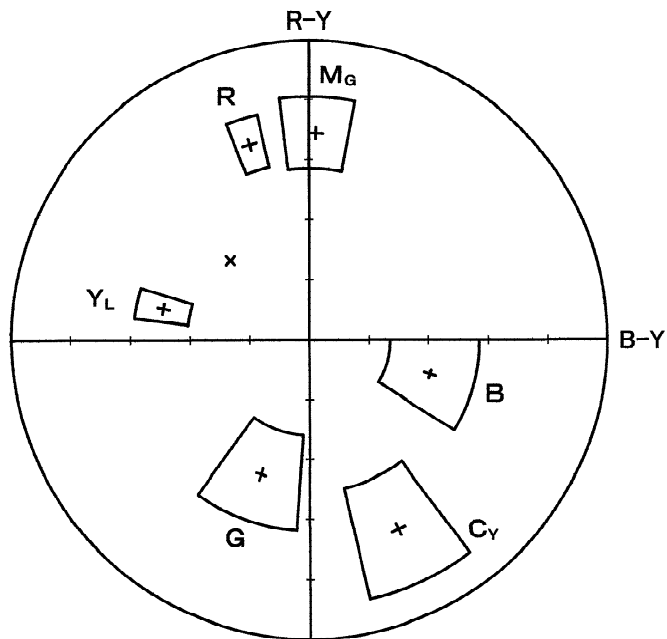


DCR-TRV16/TRV18

Take a copy of CAMERA COLOR REPRODUCTION FRAME with a clear sheet for use.



For PAL model



DCR-TRV16E/TRV18E/TRV116E/TRV118E



