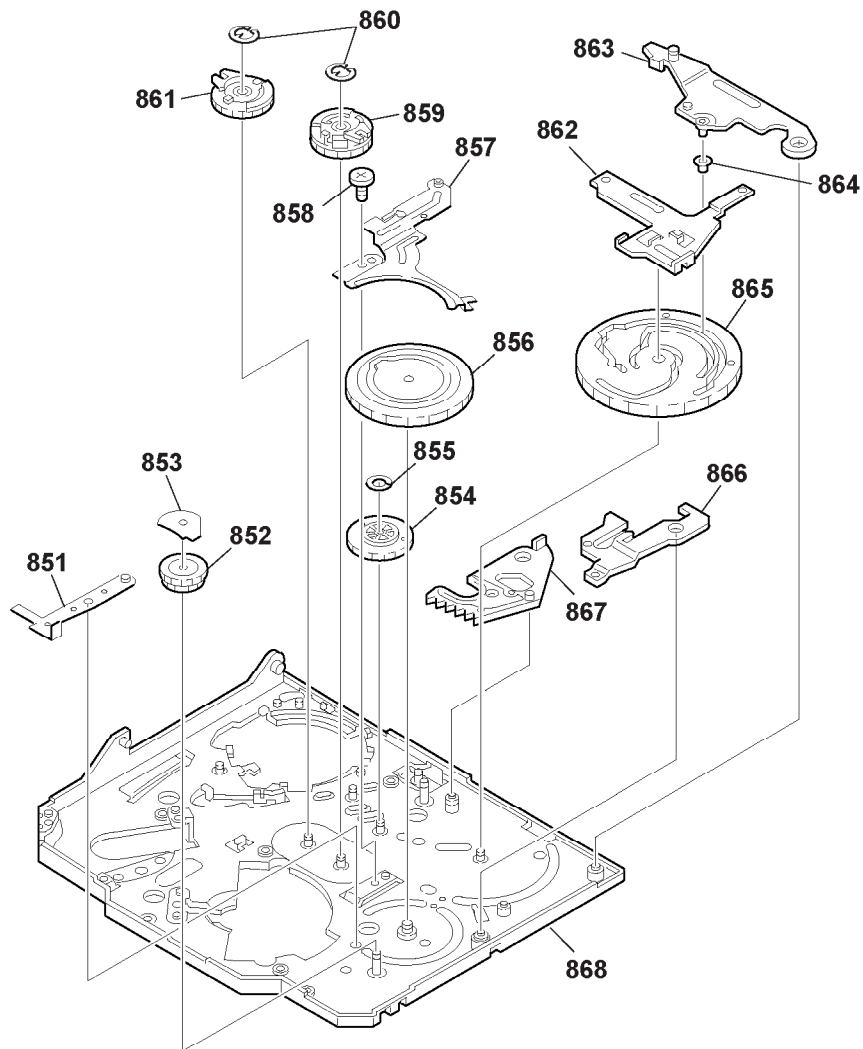


6-1-10. MECHANICAL CHASSIS BLOCK ASSEMBLY-2



Ref. No.	Part No.	Description	Remarks	Ref. No.	Part No.	Description	Remarks
851	3-065-920-01	ARM, HC DRIVE		860	7-624-101-04	STOP RING 1.2 (E TYPE)	
852	3-065-913-01	GEAR (4), LD		861	A-7096-412-A	GEAR (T) ASSY, GUIDE	
853	3-065-914-01	SHEET, COVER		862	X-3951-307-1	PLATE ASSY, M SLIDE	
854	3-065-917-01	GEAR (1), CAM RELAY		863	X-3951-305-1	ARM ASSY, LS	
855	3-065-934-01	HLW CUT 0.98X3X0.25		864	3-065-901-01	ROLLER, LS ARM	
856	3-065-915-01	GEAR (1), CAM		865	3-065-916-01	GEAR (2), CAM	
857	3-065-878-01	PLATE (S), GUIDE LOCK		866	3-065-919-01	ARM, T1 LIMITTER	
858	3-065-932-01	PAN (2 MAIN M1.4X1.6), CAMERA		867	X-3951-308-1	ARM ASSY, GL	
859	A-7096-413-A	GEAR (S) ASSY, GUIDE		868	X-3951-300-1	CHASSIS ASSY, MECHANICAL	