

**DCR-TRV103/TRV110/TRV110E/TRV110P/TRV203/TRV210/
TRV210E/TRV310/TRV310E/TRV310P/TRV315
DCR-TR7000/TR7000E/TR7100E**

**SECTION 6
REPAIR PARTS LIST**

6-1. EXPLODED VIEWS

NOTE:

- -XX, -X mean standardized parts, so they may have some differences from the original one.
- Items marked "*" are not stocked since they are seldom required for routine service. Some delay should be anticipated when ordering these items.
- The mechanical parts with no reference number in the exploded views are not supplied.

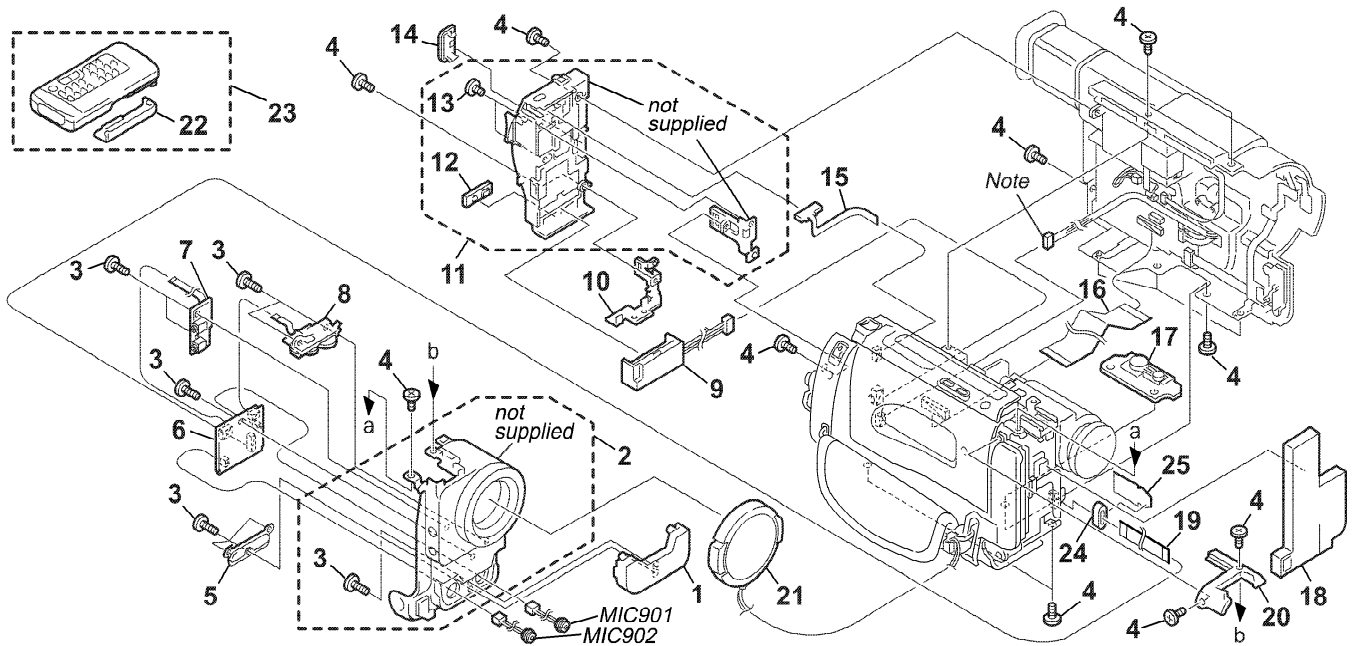
- Abbreviation
- CND : Canadian model
 - EE : East European model
 - NE : North European model
 - RU : Russian model
 - HK : Hong Kong model
 - AUS : Australian model
 - CN : Chinese model
 - BR : Brazilian model
 - JE : Tourist model
 - TW : Taiwan model

The components identified by mark \triangle or dotted line with mark \triangle are critical for safety. Replace only with part number specified.

Les composants identifiés par une marque \triangle sont critiques pour la sécurité. Ne les remplacer que par une pièce portant le numéro spécifié.

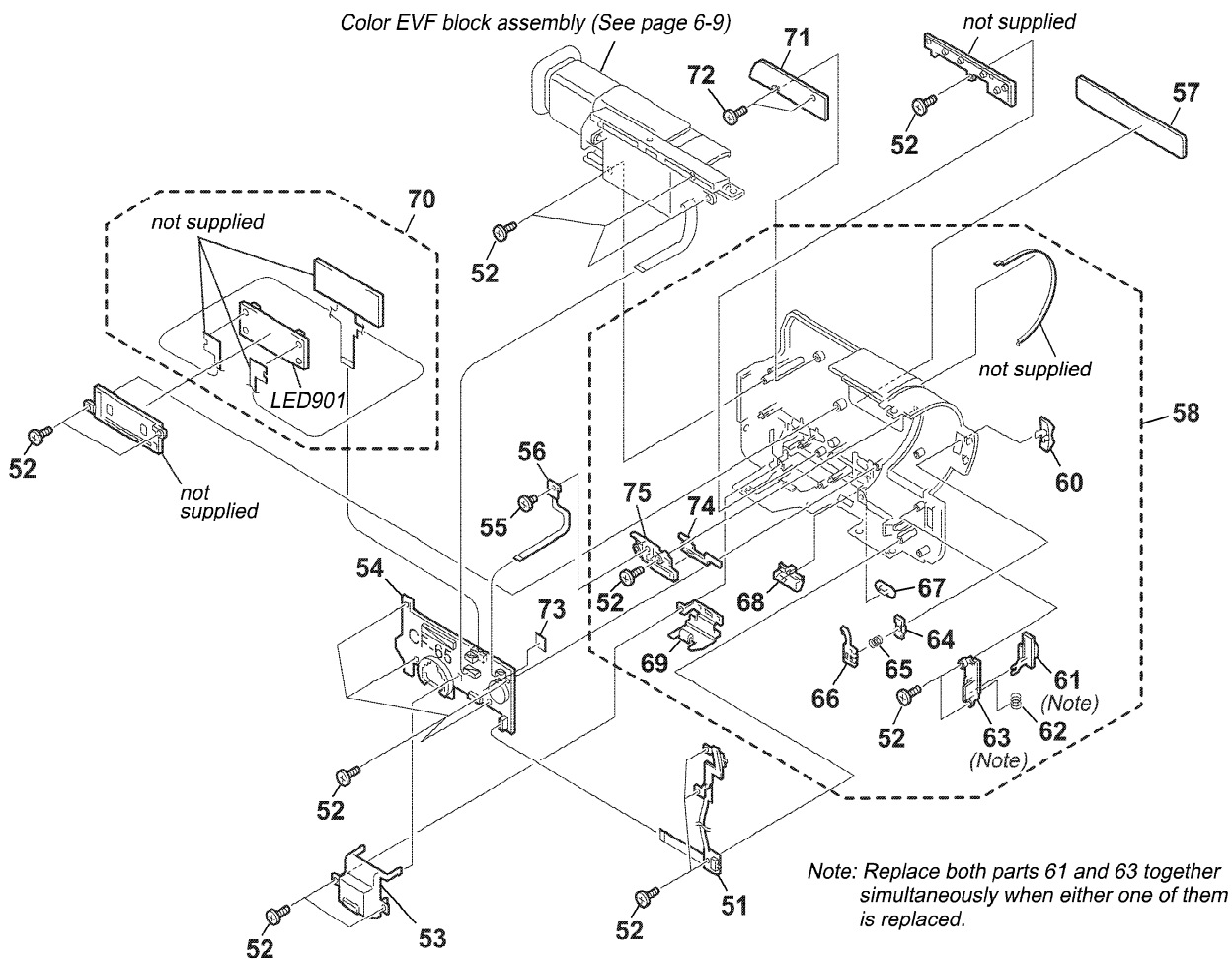
6-1-1. FRONT PANEL (N) AND BATTERY PANEL (P) BLOCK ASSEMBLY

Note: the TR models do not have the harness (DP-74 or DP-75) shown by Note.



Ref. No.	Part No.	Description	Remarks	Ref. No.	Part No.	Description	Remarks
1	X-3949-374-1	GRILLE (N) ASSY, MICROPHONE		8	1-418-273-11	SWITCH BLOCK, CONTROL(MF-9500)	
	(TRV103/TRV110/TRV110E/TRV110P/TR7000/TR7000E/TR7100E)			9	1-694-384-11	TERMINAL BOARD, BATTERY	
1	X-3949-375-1	GRILLE (N3) ASSY, MICROPHONE		10	3-053-723-01	SHEET METAL (LOWER), STRAP	
	(TRV203/TRV210/TRV210E/TRV310/TRV310E/TRV310P/TRV315)			11	X-3949-390-1	PANEL ASSY (P), BATTERY	
2	X-3949-367-1	PANEL (N) ASSY, FRONT			(EXCEPT:TRV110:BR)		
	(TRV103/TRV110/TRV110E:E, HK, AUS, CN, JE/TRV110P/TR7000)			11	X-3949-512-1	PANEL ASSY (P), BATTERY (TRV110:BR)	
2	X-3949-368-1	PANEL (N) ASSY, FRONT		12	3-987-656-01	LID, JACK	
	(TRV203/TRV210/TRV210E:CN/TRV310:US, HK, E, JE/ TRV310E:E, HK, AUS, CN, JE/TRV310P/TRV315)			13	3-968-729-61	SCREW (M2X3), LOCK ACE, P2	
2	X-3949-369-1	PANEL (N) ASSY, FRONT		14	3-975-752-01	LID (BT), CPC	
	(TRV110E:AEP, UK, EE, NE, RU/TR7000E/TR7100E)			15	1-672-663-21	FP-49 FLEXIBLE BOARD	
2	X-3949-370-1	PANEL (N) ASSY, FRONT		16	1-783-240-11	CABLE, FLEXIBLE FLAT (FFC-236)	
	(TRV210E:AEP, UK/TRV310E:AEP, UK)			17	3-987-717-01	SCREW	
2	X-3949-417-1	PANEL (N) ASSY, FRONT (TRV310:TW)		18	3-053-899-01	CUSHION (N)	
3	3-948-339-61	TAPPING		19	1-673-119-11	FP-77 FLEXIBLE BOARD	
4	3-968-729-01	SCREW (M2), LOCK ACE, P2		20	3-053-604-11	CABINET (S), SHOE	
5	X-3949-373-1	COVER (N) ASSY, MN		21	X-3949-376-1	CAP (N) ASSY, LENS	
6	A-7073-869-A	MA-354 (I) BOARD, COMPLETE		22	3-742-854-01	LID, BATTERY CASE (for RMT-814)	
	(TRV103/TRV110/TRV110E/TRV110P)			23	1-475-141-61	COMMANDER, REMOTE (RMT-814)	
6	A-7073-920-A	MA-357 (I) BOARD, COMPLETE		24	1-469-431-11	BEAD, FERRITE	
	(TR7000/TR7000E/TR7100E)			* 25	3-055-380-01	SHEET, FERRITE FIXED	
6	A-7073-925-A	MA-355 (I) BOARD, COMPLETE		MIC901	1-542-312-11	MICROPHONE (L)	
	(TRV203/TRV210/TRV210E/TRV310/TRV310E/TRV310P/TRV315)			MIC902	1-542-312-11	MICROPHONE (R)	
7	1-673-118-21	FP-76 FLEXIBLE BOARD					

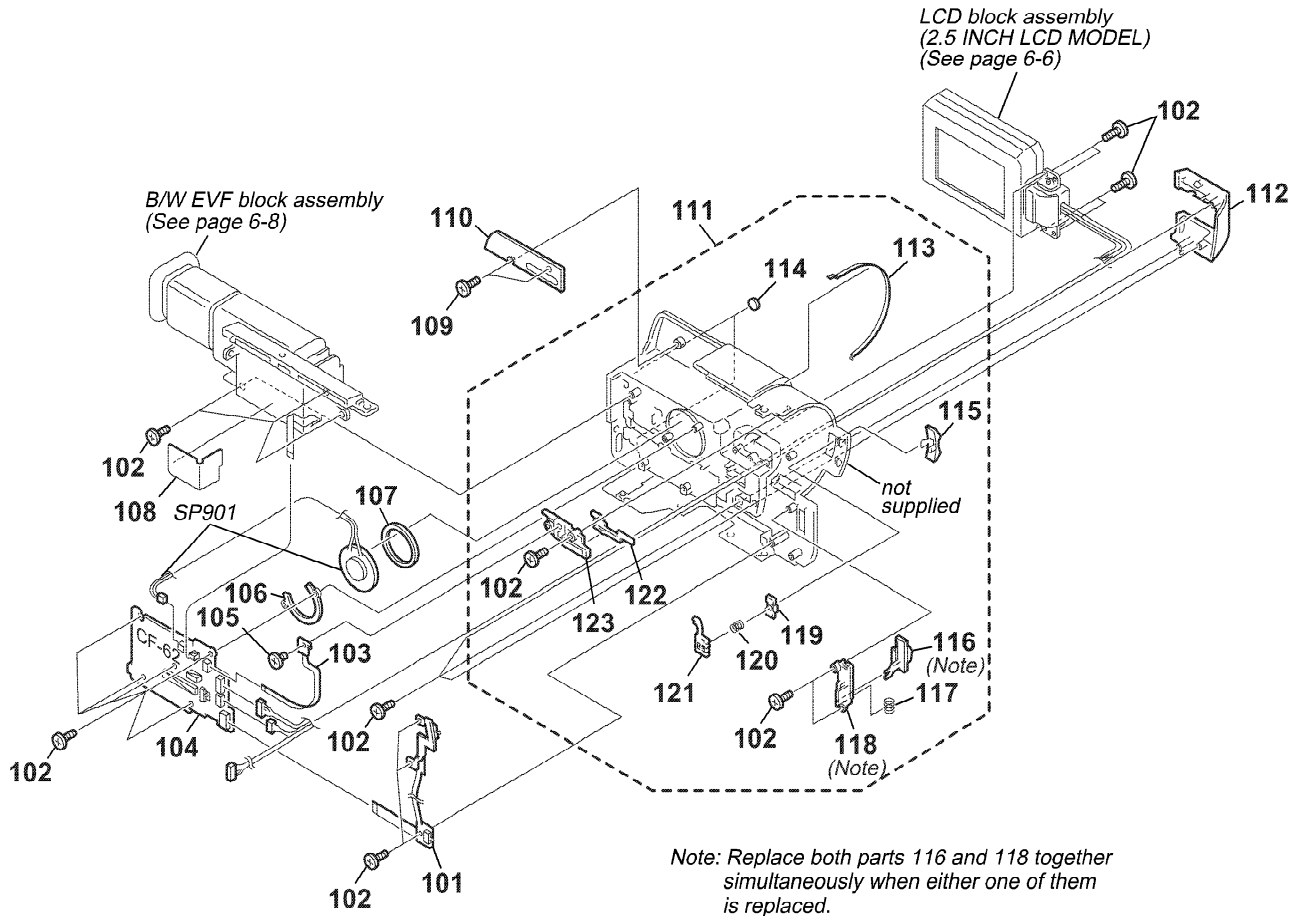
**6-1-2. CABINET (R) BLOCK ASSEMBLY (TR MODEL)
(TR7000/TR7000E/TR7100E)**



Ref. No.	Part No.	Description	Remarks	Ref. No.	Part No.	Description	Remarks
51	1-418-274-11	SWITCH BLOCK, CONTROL (PS-9500)		63	3-056-470-01	RETAINER (93), MF	
52	3-948-339-61	TAPPING		64	3-054-029-01	BUTTON (952), POWER LOCK	
53	3-053-717-01	RETAINER (92), LITHIUM BATTERY		65	3-568-315-01	SPRING, COMPRESSION	
54	A-7073-921-A	CF-65 (C) BOARD, COMPLETE		66	3-054-030-01	HOLDER (952), P KNOB	
55	3-713-791-01	SCREW (M1.7X4), TAPPING, P2		67	3-054-284-01	KNOB (950), MODE SELECTION	
56	1-672-668-21	FP-62 FLEXIBLE BOARD		68	3-054-285-01	RETAINER (950), MODE SELECTION	
57	3-054-289-01	WINDOW (950), LCD (TR7000)		69	3-054-283-01	LID (950), LITHIUM BATTERY	
57	3-054-289-11	WINDOW (950), LCD (TR7000E)		70	A-7094-411-A	INDICATION (LCD) BLOCK ASSY	
57	3-054-289-21	WINDOW (950), LCD (TR7100E)		* 71	3-054-612-01	BLIND (95), CVF	
58	X-3949-452-1	CABINET (R) (950) ASSY (TR7000)		72	3-948-339-01	SCREW, TAPPING	
58	X-3949-456-1	CABINET (R) (950) ASSY (TR7000E/TR7100E)		73	3-055-660-01	SHEET (95), MUFFLE	
60	3-054-028-01	KNOB (952), POWER		74	3-054-290-01	KNOB (950), NS	
61	3-056-469-21	KNOB (93), MF		75	3-054-291-01	RETAINER (950), NS	
62	3-965-034-01	SPRING, COMPRESSION		△ LED901	1-517-866-11	LIGHT, BACK	

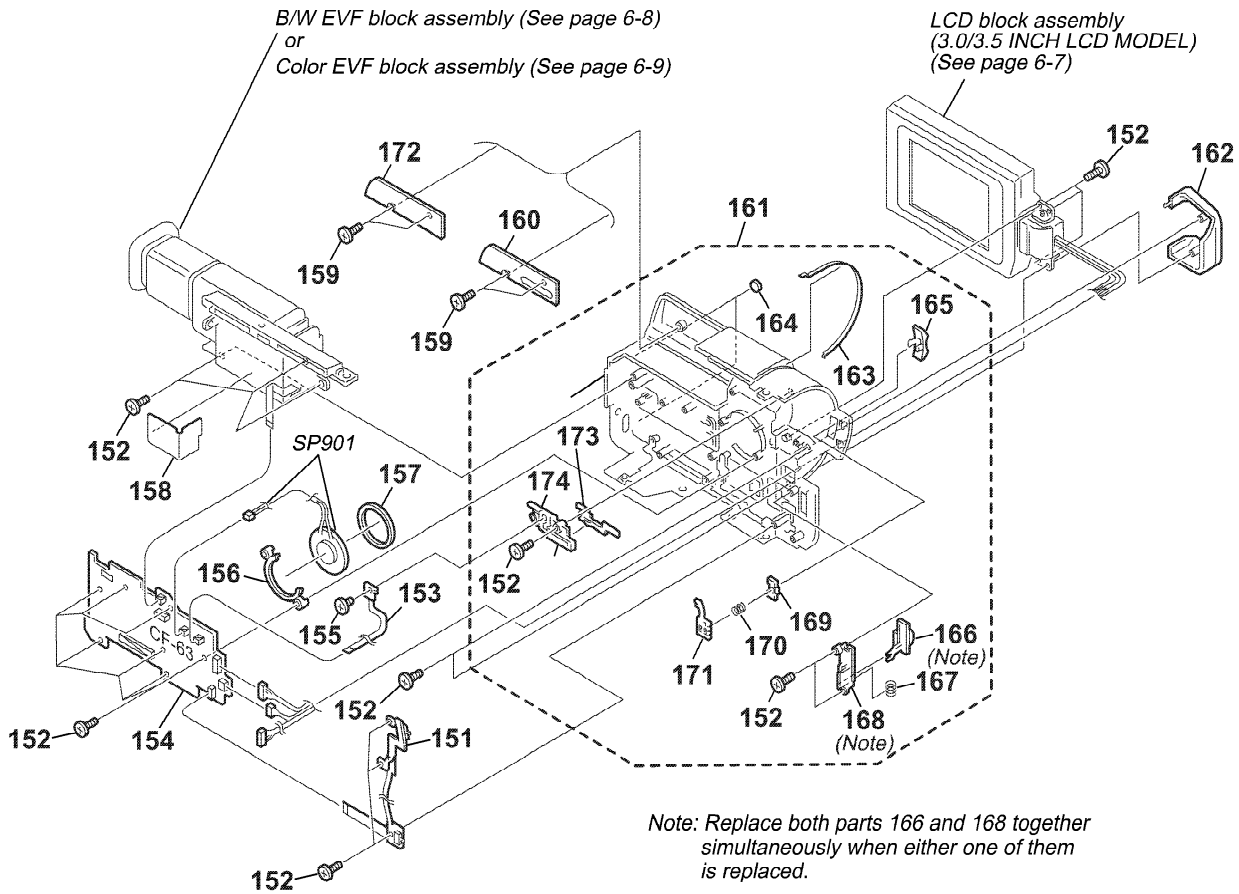
<p>Note : The components identified by mark △ or dotted line with mark △ are critical for safety. Replace only with part number specified.</p>	<p>Note : Les composants identifiés par une marque △ sont critiques pour la sécurité. Ne les remplacer que par une pièce portant le numéro spécifié.</p>
---	---

**6-1-3. CABINET (R) BLOCK ASSEMBLY (2.5 INCH LCD MODEL)
(TRV103/TRV110/TRV110E/TRV110P)**



Ref. No.	Part No.	Description	Remarks	Ref. No.	Part No.	Description	Remarks
101	1-418-274-11	SWITCH BLOCK, CONTROL (PS-9500)		112	3-054-038-01	COVER (R) (952), HINGE	
102	3-948-339-61	TAPPING		* 113	3-054-031-01	RING (952), ORNAMENTAL	
103	1-672-668-21	FP-62 FLEXIBLE BOARD		114	3-959-978-02	CUSHION, PANEL	
104	A-7073-870-A	CF-62 (B) BOARD, COMPLETE		115	3-054-028-01	KNOB (952), POWER	
105	3-713-791-01	SCREW (M1.7X4), TAPPING, P2		116	3-056-469-21	KNOB (93), MF	
* 106	3-053-783-01	RETAINER (93), SPEAKER		117	3-965-034-01	SPRING, COMPRESSION	
107	3-965-367-01	SPACER, SP		118	3-056-470-01	RETAINER (93), MF	
108	3-053-683-01	GUIDE, HARNESS		119	3-054-029-01	BUTTON (952), POWER LOCK	
109	3-948-339-01	SCREW, TAPPING		120	3-568-315-01	SPRING, COMPRESSION	
110	3-054-069-01	GUIDE (B (95)), TILT		121	3-054-030-01	HOLDER (952), P KNOB	
111	X-3949-415-1	CABINET (R) ASSY (952) (TRV103/TRV110/TRV110E:E,HK,AUS,CN,JE/TRV110P)		122	3-054-025-01	KNOB (952), NS	
111	X-3949-436-1	CABINET (R) ASSY (952) (TRV110E:AEP,UK,EE,NE,RU)		123	3-054-026-01	RETAINER (952), NS	
				SP901	1-505-291-21	SPEAKER (2.8CM)	

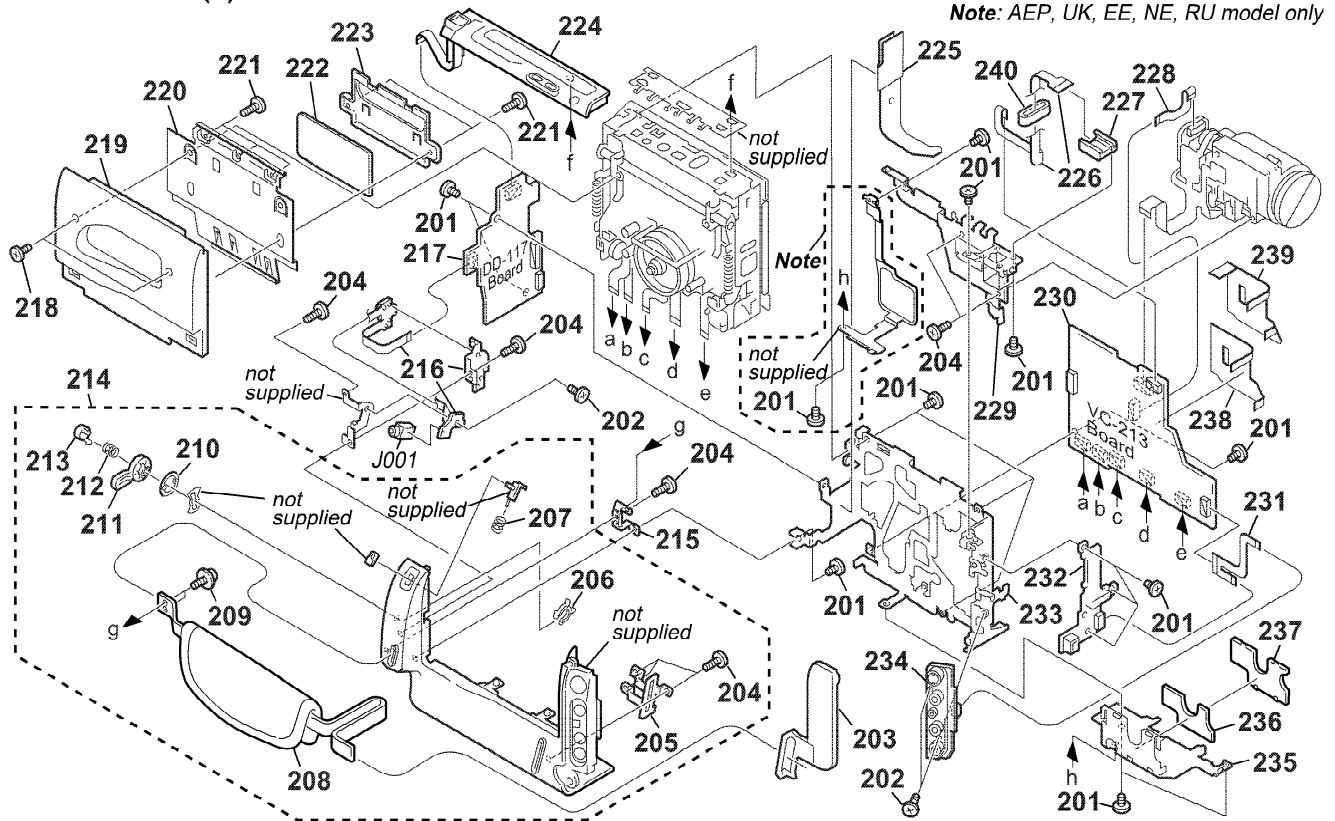
6-1-4. CABINET (R) BLOCK ASSEMBLY (3.0/3.5 INCH LCD MODEL)
(TRV203/TRV210/TRV210E/TRV310/TRV310E/TRV310P/TRV315)



Note: Replace both parts 166 and 168 together simultaneously when either one of them is replaced.

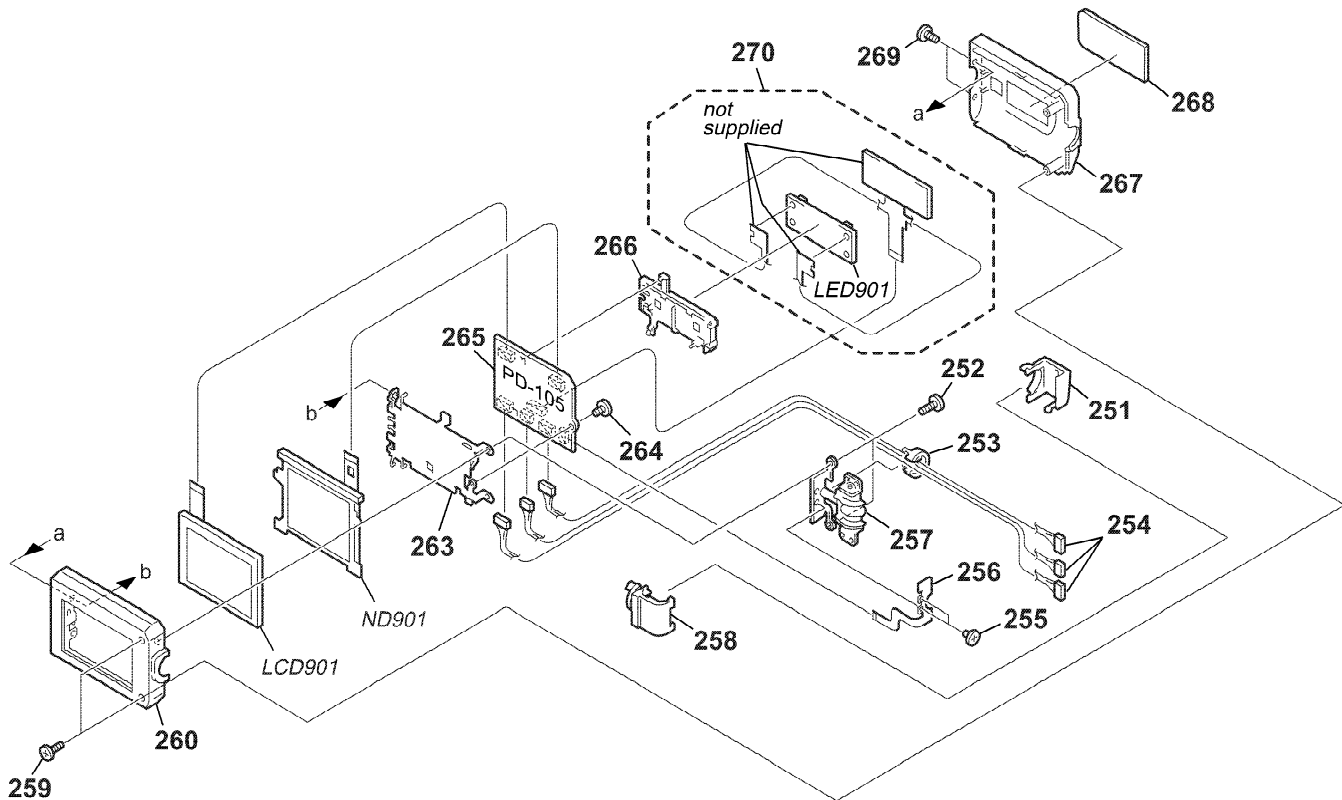
Ref. No.	Part No.	Description	Remarks	Ref. No.	Part No.	Description	Remarks
151	1-418-274-11	SWITCH BLOCK, CONTROL (PS-9500)		162	3-054-277-01	COVER (R) (955), HINGE (TRV203/TRV210/TRV210E/TRV310:US,HK,E,JE/TRV310E/TRV310P/TRV315)	
152	3-948-339-61	TAPPING		162	3-054-277-11	COVER (R) (955), HINGE (TRV310:TW)	
153	1-672-668-21	FP-62 FLEXIBLE BOARD		* 163	3-054-031-01	RING (952), ORNAMENTAL	
154	A-7073-926-A	CF-63 (C) BOARD, COMPLETE (TRV315)		164	3-959-978-02	CUSHION, PANEL	
154	A-7073-955-A	CF-63 (B) BOARD, COMPLETE (TRV203/TRV210/TRV210E/TRV310/TRV310E/TRV310P)		165	3-054-028-01	KNOB (952), POWER	
155	3-713-791-01	SCREW (M1.7X4), TAPPING, P2		166	3-056-469-11	KNOB (93), MF	
* 156	3-053-783-01	RETAINER (93), SPEAKER		167	3-965-034-01	SPRING, COMPRESSION	
157	3-965-367-01	SPACER, SP		168	3-056-470-01	RETAINER (93), MF	
158	3-053-683-01	GUIDE, HARNESS		169	3-054-029-01	BUTTON (952), POWER LOCK	
159	3-948-339-01	SCREW, TAPPING		170	3-568-315-01	SPRING, COMPRESSION	
160	3-054-069-01	GUIDE (B (95)), TILT (TRV203/TRV210/TRV210E/TRV310/TRV310E/TRV310P)		171	3-054-030-01	HOLDER (952), P KNOB	
161	X-3949-449-1	CABINET (R) (955) ASSY (TRV203/TRV210/TRV210E:CN/TRV310:US,HK,E,JE/TRV310E:E,HK,AUS,CN,JE/TRV310P/TRV315)		* 172	3-054-612-01	BLIND (95), CVF (TRV315)	
161	X-3949-475-1	CABINET (R) (955) ASSY (TRV210E:AEP,UK/TRV310E:AEP,UK)		173	3-054-267-01	KNOB (955), NS	
161	X-3949-477-1	CABINET (R) (955) ASSY (TRV310:TW)		174	3-054-268-01	RETAINER (955), NS	
				SP901	1-504-753-41	SPEAKER (2.8CM)	

6-1-5. CABINET (L) BLOCK AND MAIN BOARDS ASSEMBLY



Ref. No.	Part No.	Description	Remarks	Ref. No.	Part No.	Description	Remarks
201	3-713-786-21	SCREW (M2X3)		* 225	3-053-745-01	PROTECTOR, LS FLEXIBLE	
202	3-968-729-01	SCREW (M2), LOCK ACE, P2		226	1-672-672-11	FP-45 FLEXIBLE BOARD (TRV110:BR)	
* 203	3-975-522-11	COVER, JACK		226	1-672-672-21	FP-45 FLEXIBLE BOARD (EXCEPT:TRV110:BR)	
204	3-948-339-61	TAPPING		227	1-774-867-31	CONNECTOR,EXTERNAL (HOT SHOE) 8P	
205	3-975-966-01	SHEET METAL (2), SS		228	1-672-665-11	FP-54 FLEXIBLE BOARD	
206	3-949-192-01	HOLDER, STAND-BY KNOB		229	3-053-741-11	FRAME (S), LENS	
207	3-302-492-00	SPRING, COMPRESSION		230	A-7094-280-A	VC-213 (N) BOARD, COMPLETE (TR7000)	
208	3-052-815-01	BELT (ES), GRIP		230	A-7094-281-A	VC-213 (QP) BOARD, COMPLETE (TR7000E/TR7100E)	
209	3-679-362-11	SCREW		230	A-7094-282-A	VC-213 (VN) BOARD, COMPLETE (TRV103/TRV110/TRV110P/TRV203/TRV210/TRV310/TRV310P/TRV315)	
210	3-970-854-01	SPRING, STAND-BY		230	A-7094-283-A	VC-213 (VQP) BOARD, COMPLETE (TRV110E/TRV210E/TRV310E)	
211	3-969-081-01	KNOB, STAND-BY		231	1-673-120-11	FP-78 FLEXIBLE BOARD	
212	3-979-642-01	SPRING, COMPRESSION		232	A-7073-867-A	SE-86 BOARD, COMPLETE (TRV103/TRV110/TRV110E/TRV110P)	
213	3-960-566-01	BUTTON, S/S		232	A-7073-918-A	SE-89 BOARD, COMPLETE (TR7000/TR7000E/TR7100E)	
214	X-3949-397-1	CABINET (L) ASSY (EXCEPT:TRV110E/TRV210E/TRV310E/TR7000E/TR7100E)		232	A-7073-923-A	SE-87 BOARD, COMPLETE (TRV203/TRV210/TRV210E/TRV310/TRV310E/TRV310P/TRV315)	
214	X-3949-398-1	CABINET (L) ASSY (TRV110E/TRV210E/TRV310E/TR7000E/TR7100E)		233	3-053-743-01	FRAME (A), MD	
* 215	3-975-532-01	HOLDER, EL		234	A-7073-868-A	PJ-95 BOARD, COMPLETE (TRV103/TRV110/TRV110E:E,HK,AUS,CN,JE/TRV110P)	
216	1-475-619-11	SWITCH BLOCK, CONTROL (SS-8500)		234	A-7073-919-A	PJ-98 BOARD, COMPLETE (TR7000)	
217	A-7073-866-A	DD-117 (V) BOARD, COMPLETE (EXCEPT:TRV315/TR7000/TR7000E/TR7100E)		234	A-7073-924-A	PJ-96 BOARD, COMPLETE (TRV203/TRV210/TRV210E:CN/TRV310E:E,HK,AUS,CN,JE/TRV310P/TRV315)	
217	A-7073-917-A	DD-117 (C) BOARD, COMPLETE (TR7000/TR7000E/TR7100E)		234	A-7073-941-A	PJ-95 (IM) BOARD, COMPLETE (TRV110E:AEP,UK,EE,NE,RU)	
217	A-7073-922-A	DD-117 (VC) BOARD, COMPLETE (TRV315)		234	A-7073-954-A	PJ-96 (IM) BOARD, COMPLETE (TRV210E:AEP,UK/TRV310E:AEP,UK)	
218	3-968-729-81	SCREW (M2), LOCK ACE, P2		234	A-7073-976-A	PJ-98 (IM) BOARD, COMPLETE (TR7000E/TR7100E)	
219	X-3949-392-1	LID ASSY, CASSETTE (TRV203/TRV210/TRV310:US/TRV315/TR7000)		235	3-987-675-01	FRAME (B), MD	
219	X-3949-393-1	LID ASSY, CASSETTE (EXCEPT:TRV203/TRV210/TRV310:US/TRV315/TR7000)		236	1-469-363-11	FILTER, EMI (MD) (TRV110E:AEP,UK,EE,NE,RU/TRV210E:AEP,UK/TRV310E:AEP,UK/TR7000E/TR7100E)	
220	3-987-678-11	PLATE, CASSETE SHILED (TRV110E:AEP,UK,EE,NE,RU/TRV210E:AEP,UK/TRV310E:AEP,UK/TR7000E/TR7100E)		237	3-987-676-01	COVER (MD), FERRITE (TRV110E:AEP,UK,EE,NE,RU/TRV210E:AEP,UK/TRV310E:AEP,UK/TR7000E/TR7100E)	
221	3-713-791-01	SCREW (M1.7X4), TAPPING, P2 (TRV110E:AEP,UK,EE,NE,RU/TRV210E:AEP,UK/TRV310E:AEP,UK/TR7000E/TR7100E)		* 238	3-055-691-01	PROTECTOR, L- FLEXIBLE (TRV203/TRV210/TRV210E/TRV310/TRV310E/TRV310P/TRV315)	
222	1-469-364-11	FILTER, EMI (CS) (TRV110E:AEP,UK,EE,NE,RU/TRV210E:AEP,UK/TRV310E:AEP,UK/TR7000E/TR7100E)		* 239	3-053-725-11	SHEET, IM GUARD (TRV103/TRV110/TRV110E/TRV110P/TR7000/TR7000E/TR7100E)	
223	3-987-677-01	COVER (C), FERRITE (TRV110E:AEP,UK,EE,NE,RU/TRV210E:AEP,UK/TRV310E:AEP,UK/TR7000E/TR7100E)		240	1-469-431-11	BEAD, FERRITE	
224	1-475-617-51	SWITCH BLOCK, CONTROL (FK-8500) (TRV110E:AEP,UK,EE,NE,RU/TRV210E:AEP,UK/TRV310E:AEP,UK/TR7000E/TR7100E)		J001	1-565-276-31	JACK, ULTRA SMALL 1P (LANC)	
224	1-475-617-71	SWITCH BLOCK, CONTROL (FK-8500) (EXCEPT:TRV110E:AEP,UK,EE,NE,RU/TRV210E:AEP,UK/TRV310E:AEP,UK/TR7000E/TR7100E)					

**6-1-6. LCD BLOCK ASSEMBLY (2.5 INCH LCD MODEL)
(TRV103/TRV110/TRV110E/TRV110P)**

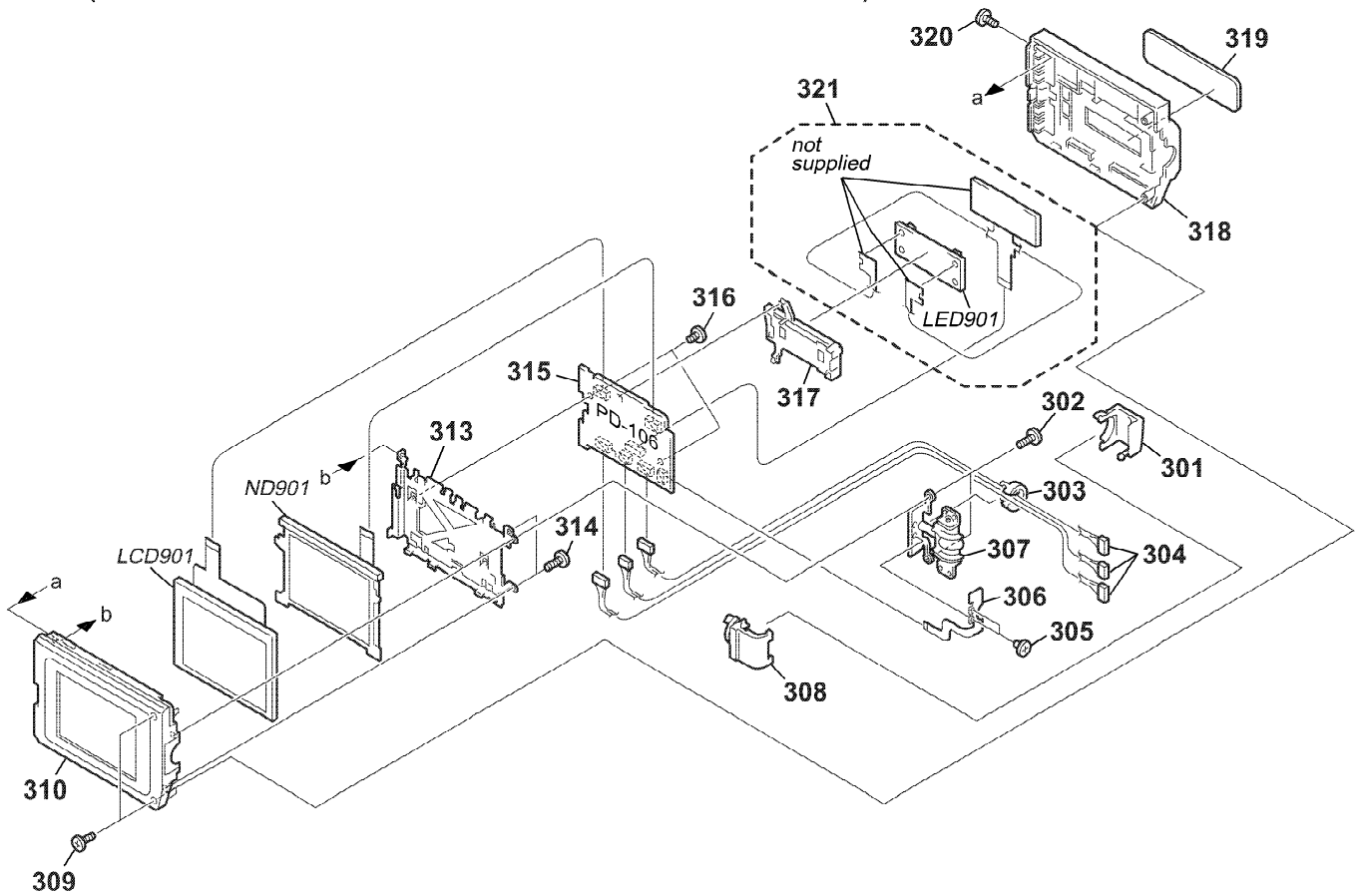


Ref. No.	Part No.	Description	Remarks	Ref. No.	Part No.	Description	Remarks
251	3-054-039-01	COVER (C) (952), HINGE		266	3-053-702-01	HOLDER (93), LCD	
252	3-948-339-11	SCREW, TAPPING		267	X-3949-544-1	CABINET (C) (952) ASSY, P	
253	3-987-623-01	CLAMP, HARNESS		268	3-054-122-01	WINDOW (952), LCD (TRV110/TRV110P)	
254	1-959-310-11	HARNESS (DP-74)		268	3-054-122-11	WINDOW (952), LCD (TRV103)	
255	4-981-286-01	SCREW (M1.7X2)(IB LOCK)		268	3-054-122-21	WINDOW (952), LCD (TRV110E)	
256	1-668-963-21	FP-642 FLEXIBLE BOARD		269	3-968-729-01	SCREW (M2), LOCK ACE, P2	
257	X-3949-656-1	HINGE ASSY (N)		270	A-7094-411-A	INDICATION (LCD) BLOCK ASSY	
258	3-987-625-01	COVER (M), HINGE		△ LED901	1-517-866-11	LIGHT, BACK	
259	3-948-339-01	SCREW, TAPPING		LCD901	1-803-355-21	MODULE, CRYSTAL INDICATION (TRV103/TRV110/TRV110E:E, HK, AUS, CN, JE/TRV110P)	
260	X-3949-416-1	CABINET (M (952)) ASSY, P		LCD901	1-803-357-21	MODULE, CRYSTAL INDICATION (TRV110E:AEP, UK, EE, NE, RU)	
263	X-3949-385-1	FRAME (93) ASSY, PANEL		△ ND901	1-517-751-31	TUBE, FLUORESCENT, COLD CATHODE (TRV103/TRV110/TRV110E:E, HK, AUS, CN, JE/TRV110P)	
264	3-713-786-21	SCREW (M2X3)		△ ND901	1-517-751-41	TUBE, FLUORESCENT, COLD CATHODE (TRV110E:AEP, UK, EE, NE, RU)	
265	A-7073-871-A	PD-105 (SHN) BOARD, COMPLETE (TRV103/TRV110/TRV110E:E, HK, AUS, CN, JE/TRV110P)					
265	A-7073-942-A	PD-105 (SHP) BOARD, COMPLETE (TRV110E:AEP, UK, EE, NE, RU)					

Note :
The components identified by mark △ or dotted line with mark △ are critical for safety. Replace only with part number specified.

Note :
Les composants identifiés par une marque △ sont critiques pour la sécurité. Ne les remplacer que par une pièce portant le numéro spécifié.

6-1-7. LCD BLOCK ASSEMBLY (3.0/3.5 INCH LCD MODEL)
(TRV203/TRV210/TRV210E/TRV310/TRV310E/TRV310P/TRV315)



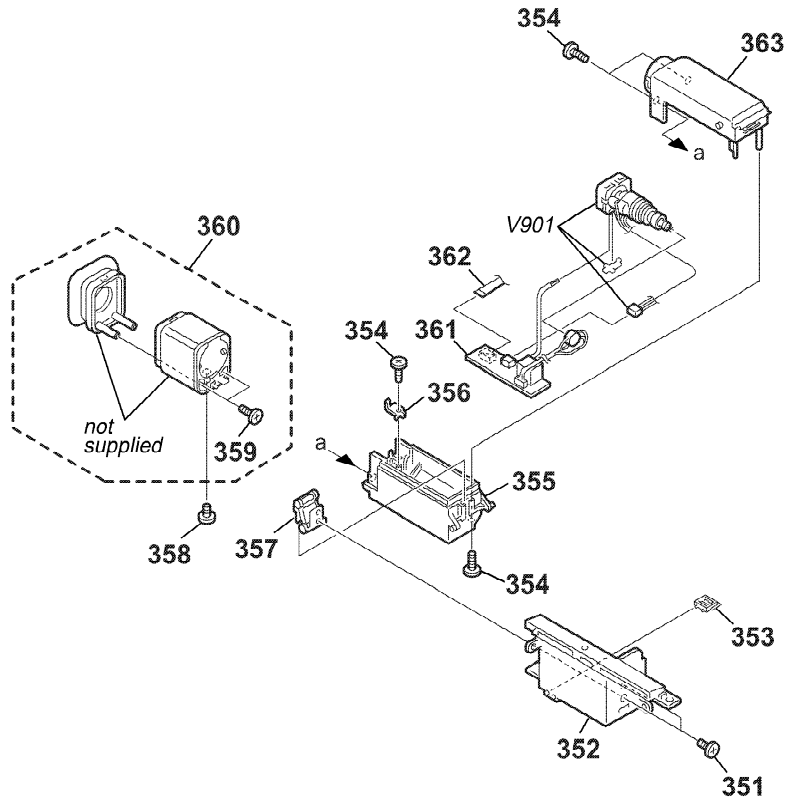
Ref. No.	Part No.	Description	Remarks
301	3-054-278-01	COVER (C) (955), HINGE	
302	3-948-339-11	SCREW, TAPPING	
303	3-987-623-01	CLAMP, HARNESS	
304	1-959-311-11	HARNESS (DP-75)	
305	4-981-286-01	SCREW (M1.7X2)(IB LOCK)	
306	1-668-963-41	FP-642 FLEXIBLE BOARD	
307	X-3949-657-1	HINGE ASSY (NH)	
308	3-987-625-01	COVER (M), HINGE	
309	3-948-339-01	SCREW, TAPPING	
310	3-054-273-01	CABINET (M) (955), P (TRV310:US,HK,E,JE/TRV310E/TRV310P)	
310	3-054-273-11	CABINET (M) (955), P (TRV203/TRV210/TRV210E/TRV315)	
310	3-054-273-21	CABINET (M) (955), P (TRV310:TW)	
313	X-3949-451-1	FRAME (958) ASSY, PANEL	
314	3-948-339-61	TAPPING	
315	A-7073-927-A	PD-106 (SH) BOARD, COMPLETE (TRV203/TRV210/TRV210E/TRV315)	
315	A-7073-957-A	PD-106 (CAN) BOARD, COMPLETE (TRV310/TRV310P)	
315	A-7073-975-A	PD-106 (SHP) BOARD, COMPLETE (TRV310E)	
316	3-713-786-21	SCREW (M2X3)	

Ref. No.	Part No.	Description	Remarks
317	3-054-275-01	HOLDER (94), LCD	
318	X-3949-450-1	CABINET (C) ASSY (955), P (TRV203/TRV210/TRV210E/TRV310:US,HK,E,JE/ TRV310E/TRV310P/TRV315)	
318	X-3949-479-1	CABINET (C) (955) ASSY, P (TRV310:TW)	
319	3-054-276-01	WINDOW (955), LCD (TRV315)	
319	3-054-276-11	WINDOW (955), LCD (TRV210)	
319	3-054-276-21	WINDOW (955), LCD (TRV203)	
319	3-054-276-31	WINDOW (955), LCD (TRV310/TRV310P)	
319	3-054-276-41	WINDOW (955), LCD (TRV310E)	
319	3-054-276-51	WINDOW (955), LCD (TRV210E)	
320	3-968-729-01	SCREW (M2), LOCK ACE, P2	
321	A-7094-411-A	INDICATION (LCD) BLOCK ASSY	
△ LED901	1-517-866-11	LIGHT, BACK	
LCD901	1-803-032-21	MODULE, CRYSTAL INDICATION (TRV310/TRV310P)	
LCD901	1-803-359-21	MODULE, CRYSTAL INDICATION (TRV203/TRV210/TRV210E/TRV315)	
LCD901	1-803-360-21	MODULE, CRYSTAL INDICATION (TRV310:US/TRV310E)	
△ ND901	1-517-855-11	TUBE, FLUORESCENT,COLD CATHODE (TRV310/TRV310E/TRV310P)	
△ ND901	1-517-856-11	TUBE, FLUORESCENT,COLD CATHODE (TRV203/TRV210/TRV210E/TRV315)	

<p>Note : The components identified by mark △ or dotted line with mark △ are critical for safety. Replace only with part number specified.</p>	<p>Note : Les composants identifiés par une marque △ sont critiques pour la sécurité. Ne les remplacer que par une pièce portant le numéro spécifié.</p>
--	--

6-1-8. B/W EVF BLOCK ASSEMBLY

(TRV103/TRV110/TRV110E/TRV110P/TRV203/TRV210/TRV210E/TRV310/TRV310E/TRV310P)



Ref. No.	Part No.	Description	Remarks	Ref. No.	Part No.	Description	Remarks
351	3-713-786-21	SCREW (M2X3)		360	X-3949-329-1	FINDER (S) ASSY	
352	3-054-068-01	BASE B (95), VF		361	A-7073-838-A	VF-129 (N) BOARD, COMPLETE (TRV103/TRV110/TRV110P/TRV203/TRV210/TRV310/TRV310P)	
353	3-053-685-01	LOCK (93), TILT		361	A-7073-855-A	VF-129 (P) BOARD, COMPLETE (TRV110E/TRV210E/TRV310E)	
354	3-948-339-01	SCREW, TAPPING		362	1-790-412-11	CABLE, FLEXIBLE FLAT (FFC-256)	
355	3-054-067-01	CABINET (LOWER B) (95), EVF (EXCEPT:TRV310:TW)		363	X-3949-412-1	CABINET (UPPER B) (95) ASSY (EXCEPT:TRV310:TW)	
355	3-054-067-11	CABINET (LOWER B) (95), EVF (TRV310:TW)		363	X-3949-586-1	CABINET (UPPER B) (959) ASSY (TRV310:TW)	
356	3-053-681-01	TALLY, EVF		Δ V901	1-452-673-61	CRT ASSY (M01KXX90WB)	
357	X-3949-327-1	ARM (B) ASSY, CRANK					
358	3-975-898-01	SCREW (T), F LOCK					
359	3-948-339-61	TAPPING					

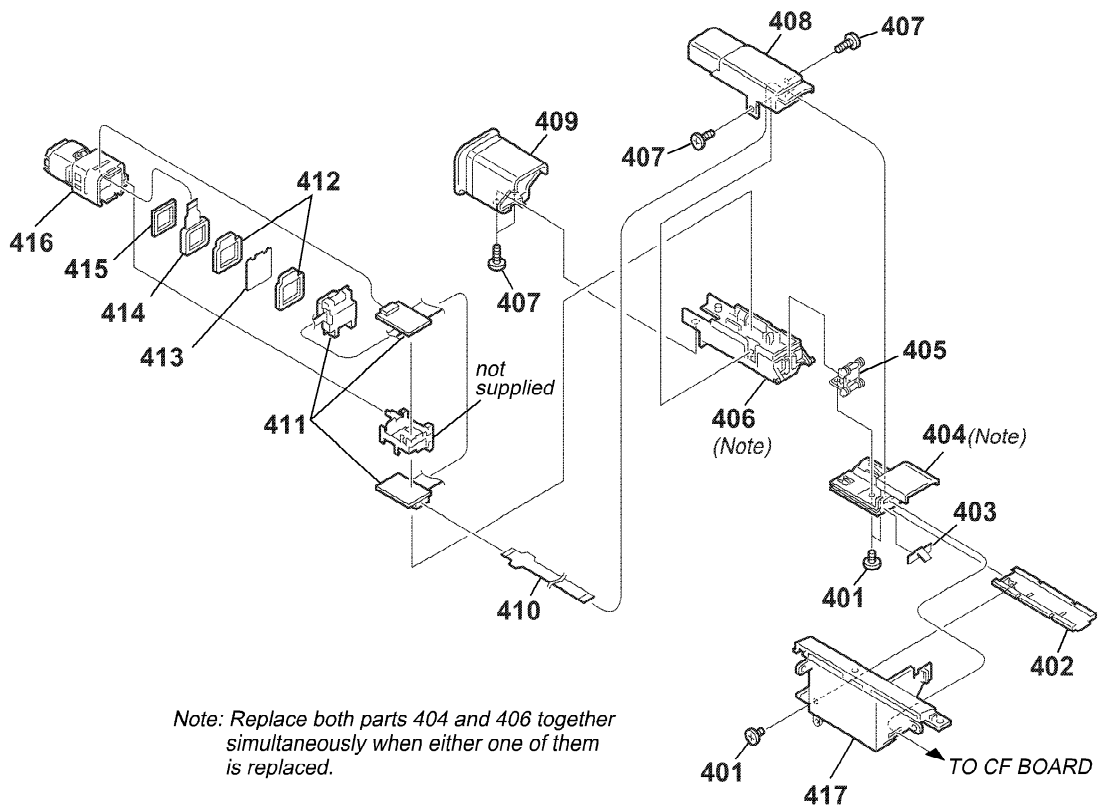
Note :

The components identified by mark Δ or dotted line with mark Δ are critical for safety. Replace only with part number specified.

Note :

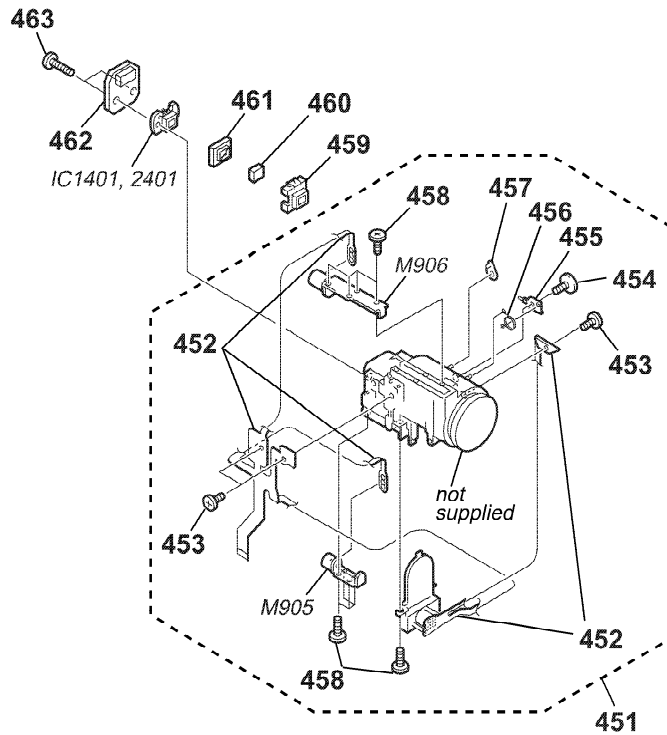
Les composants identifiés par une marque Δ sont critiques pour la sécurité. Ne les remplacer que par une pièce portant le numéro spécifié.

**6-1-9. COLOR EVF BLOCK ASSEMBLY
(TRV315/TR7000/TR7000E/TR7100E)**



Ref. No.	Part No.	Description	Remarks	Ref. No.	Part No.	Description	Remarks
401	3-968-729-81	SCREW (M2), LOCK ACE, P2		410	1-672-662-11	FP-47 FLEXIBLE BOARD	
402	3-053-677-01	BASE (C), SLIDE FIXED		411	A-7073-876-A	VF-126 BOARD, COMPLETE	
403	3-054-141-01	RETAINER, HARNESS		* 412	3-989-416-11	CUSHION (458), LCD	
404	X-3949-414-4	SLIDE BASE C (95) ASSY		* 413	3-988-563-01	ILLUMINATOR (458), BL	
405	X-3949-331-1	ARM (C) ASSY, CRANK		414	8-753-023-89	LCX024AK-J COMPLE	
406	3-054-074-03	CABINET (LOWER C) (95), EVF		* 415	3-960-302-11	CUSHION (1), LCD	
407	3-948-339-01	SCREW, TAPPING		416	X-3949-332-1	LENS ASSY (92), VF	
408	3-054-073-01	CABINET (UPPER C) (95), EVF		417	3-054-075-03	BASE C (95), VF	
409	X-3949-413-1	CABINET (REAR C) (95) ASSY, EVF					

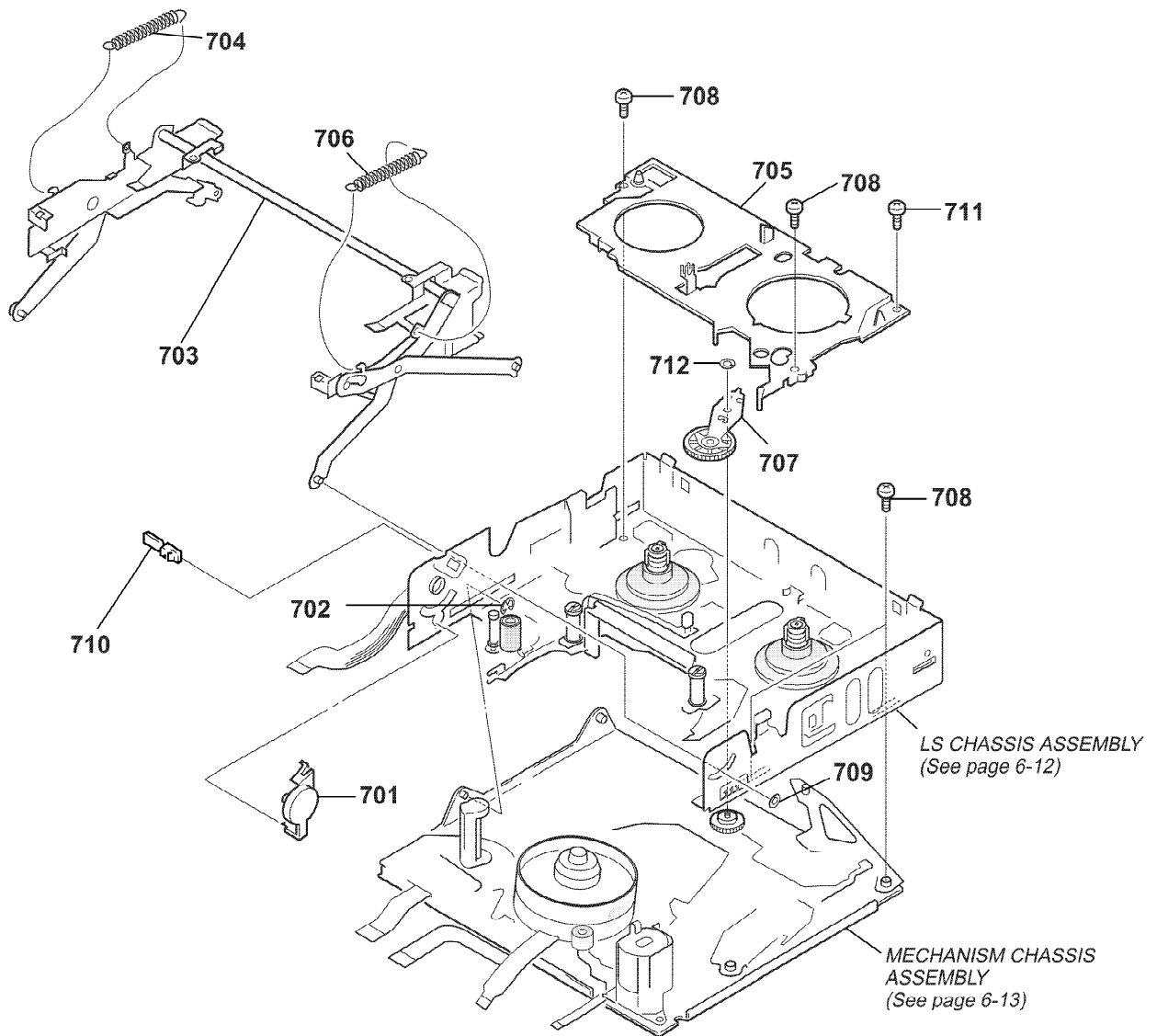
6-1-10. LENS BLOCK ASSEMBLY



Be sure to read "Precautions upon replacing CCD imager" on page 4-11, 14 when changing the CCD imager.

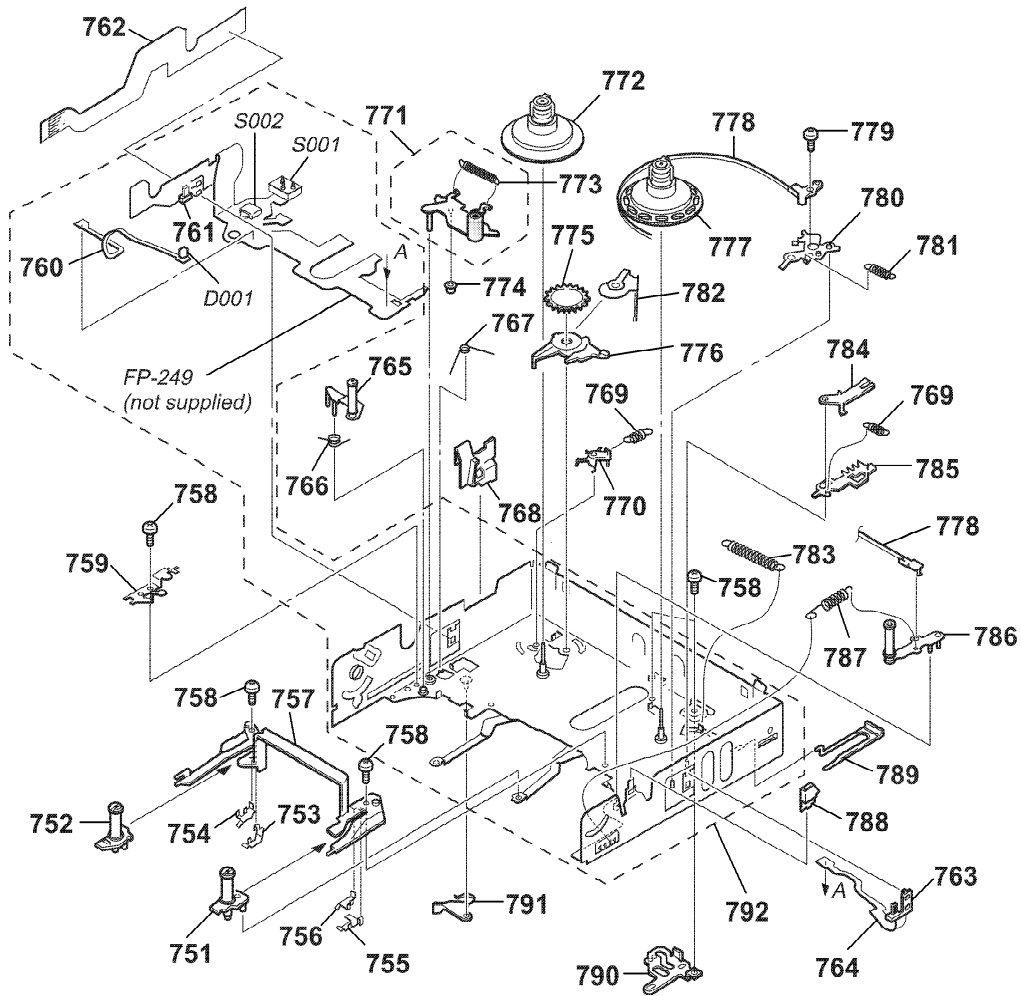
Ref. No.	Part No.	Description	Remarks	Ref. No.	Part No.	Description	Remarks
451	8-848-729-01	DEVICE, LENS LSV-630A		461	3-968-054-11	RUBBER (FM), SHIELD	
452	X-3949-355-1	IRIS FLEXIBLE ASSY 630 (N)		462	A-7073-865-A	CD-212 BOARD, COMPLETE (EXCEPT:TRV110E/TRV210E/TRV310E/TR7000E/TR7100E)	
454	3-053-853-01	TAPPING (B1.7X4)		462	A-7073-940-A	CD-213 BOARD, COMPLETE (TRV110E/TRV210E/TRV310E/TR7000E/TR7100E)	
455	3-653-827-01	LEVER, IR		463	3-318-203-11	SCREW (B1.7X6), TAPPING	
456	3-053-800-01	SPRING, RETAIN		IC1401	A-7030-821-A	CCD BLOCK ASSY (CCD IMAGER) (EXCEPT:TRV110E/TRV210E/TR310E/TR7000E/TR7100E)	
457	3-053-799-01	GEAR, IR		IC2401	A-7030-885-A	CCD BLOCK ASSY (CCD IMAGER) (TRV110E/TRV210E/TR310E/TR7000E/TR7100E)	
458	3-713-791-41	SCREW, TAPPING (M1.7X5), P2		M905	1-763-262-11	MOTOR, FOCUS STEPPING	
459	3-978-981-11	ADAPTOR (FK), CCD FITTING		M906	1-763-046-11	MOTOR, ZOOM STEPPING	
460	1-758-155-21	FILTER BLOCK, OPTICAL (TRV110E/TRV210E/TRV310E/TR7000E/TR7100E)					
460	1-758-216-21	FILTER BLOCK, OPTICAL (EXCEPT:TRV110E/TRV210E/TRV310E/TR7000E/TR7100E)					

6-1-11. CASSETTE COMPARTMENT ASSEMBLY



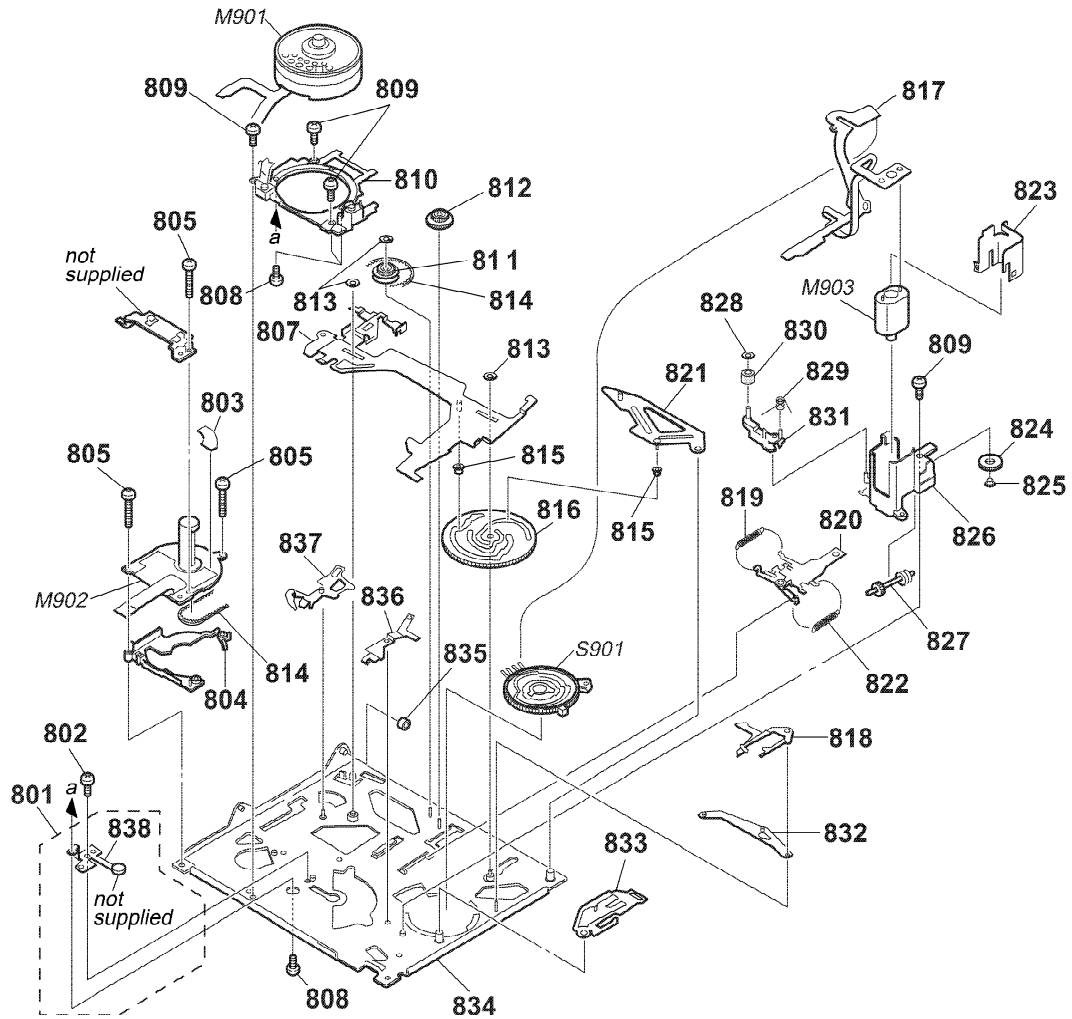
Ref. No.	Part No.	Description	Remarks	Ref. No.	Part No.	Description	Remarks
701	A-7040-421-A	DAMPER ASSY		707	X-3949-383-2	GEAR ASSY (E), GOOSENECK	
702	7-624-102-04	STOP RING 1.5, TYPE -E		708	3-947-503-01	SCREW (M1.4X2.5)	
703	X-3949-153-2	CASSETTE COMPARTMENT ASSY		709	3-727-176-01	WASHER, STOPPER	
704	3-965-587-03	SPRING(POWER TENSION),TENSION		710	3-971-076-01	FASTENER, D	
705	3-989-479-01	RETAINER (2), GOOSENECK		711	3-976-055-01	SCREW (M1.4X1)	
706	3-973-268-01	SPRING(POWER TENSION),TENSION		712	3-331-007-21	WASHER	

6-1-12. LS CHASSIS ASSEMBLY



Ref. No.	Part No.	Description	Remarks	Ref. No.	Part No.	Description	Remarks
751	A-7040-419-A	BASE (S) BLOCK ASSY, GUIDE		774	3-965-579-01	ROLLER, PINCH PRESS	
752	A-7040-418-B	BASE (T) BLOCK ASSY, GUIDE		775	3-965-563-01	GEAR, T SOFT	
753	3-965-559-01	STOPPER (T)		776	3-965-565-01	CLAW, T SOFT	
754	3-965-557-01	STOPPER (T), GB		777	X-3945-397-1	DECK ASSY, REEL, S	
755	3-965-558-01	STOPPER (S)		778	X-3945-396-1	BAND ASSY, TENSION REGULATOR	
756	3-965-556-01	STOPPER (S), GB		779	3-945-756-01	SCREW (M1.4X3)	
757	3-965-553-01	RAIL, GUIDE		780	3-965-583-01	ARM, RVS	
758	3-947-503-01	SCREW (M1.4X2.5)		781	3-965-580-01	SPRING (ARM, RVS), TENSION	
759	3-965-573-01	RETAINER, TG4		782	3-966-384-01	SPRING, T SOFT	
760	1-658-213-11	FP-355 FLEXIBLE BOARD		783	3-965-578-01	SPRING, TENSION COIL	
761	3-965-552-01	HOLDER (T), SENSOR		784	3-965-560-01	RATCHET, S	
762	1-657-786-13	FP-221 FLEXIBLE BOARD		785	3-965-561-01	PLATE, RELEASE, S RATCHET	
763	3-965-551-01	HOLDER (S), SENSOR		786	X-3945-395-1	ARM ASSY, TG1	
764	1-658-214-11	FP-356 FLEXIBLE BOARD		787	3-965-576-01	SPRING (TG1), TENSION	
765	A-7040-417-A	ARM BLOCK ASSY, TG4		788	3-965-567-01	LID OPEN	
766	3-965-574-01	SPRING (RETURN, TG4), TORSION		789	3-965-566-01	COVER, LS GUIDE	
767	3-965-575-01	SPRING (PINCH), TORSION		* 790	3-965-577-01	PLATE, CAM, LS	
768	3-965-568-11	GUIDE, LOCK		791	3-965-569-01	ARM, EJ	
769	3-965-562-01	SPRING (RATCHET), TENSION		792	A-7040-427-A	CHASSIS (S1) ASSY, LS	
770	3-965-581-03	RATCHET, T		D001	8-719-988-42	DIODE GL453	
771	X-3949-380-1	ARM ASSY (E), PINCH		S001	1-692-614-11	SWITCH, PUSH (3KEY)	
772	X-3945-398-2	DECK ASSY, REEL, T					(H18/ME/MP,REC PROOF)
773	3-965-648-01	SPRING (PINCH), TENSION		S002	1-572-688-11	SWITCH, PUSH (1 KEY)(C.C.LOCK)	

6-1-13. MECHANISM CHASSIS ASSEMBLY



Ref. No.	Part No.	Description	Remarks	Ref. No.	Part No.	Description	Remarks
801	X-3947-343-1	GROUND (IM) ASSY, SHAFT		823	3-965-542-01	SHIELD, MOTOR	
802	3-965-550-02	SCREW (M1.7X1.6)		824	3-965-539-01	GEAR (A)	
803	1-672-542-11	FP-38 FLEXIBLE BOARD		825	3-965-538-01	SLEEVE, MOTOR HOLDER	
804	3-053-986-01	SPACER (E), CAPSTAN		826	3-965-540-01	HOLDER, MOTOR	
805	3-965-549-11	SCREW (M1.4X 6.7)		827	3-965-541-01	SHAFT, WORM	
807	3-971-644-02	SLIDER (2), M		828	3-321-393-01	WASHER, STOPPER (TR7000E:AEP)	
808	X-3947-895-1	SCREW ASSY, DRUM ATTACHED		829	3-965-724-01	SPRING (RETURN, HC), TORSION	
809	3-947-503-01	SCREW (M1.4X2.5)		830	A-7040-423-A	ROLLER BLOCK ASSY, HC	
810	A-7040-494-A	BASE BLOCK ASSY, DRUM		831	X-3945-407-1	ARM ASSY, HC ROLLER	
811	3-965-527-01	GEAR, CHANGE		832	3-965-531-01	ARM, GL	
812	3-965-544-01	GEAR, RELAY		833	3-965-530-01	PLATE (2), REGULATOR, TENSION	
813	3-331-007-21	WASHER (TR7000E:AEP)		834	X-3949-382-4	CHASSIS ASSY (E), MECHANICAL	
814	3-965-546-01	BELT, TIMING		835	3-965-526-02	ROLLER, LS GUIDE	
815	3-965-533-01	ROLLER, LS		836	3-965-547-01	ARM, HC DRIVING	
816	3-965-528-01	GEAR, CAM		837	3-965-534-01	PLATE, PRESS, PINCH	
817	1-657-784-11	FP-220 FLEXIBLE BOARD		838	3-974-320-02	GROUND (IM), SHAFT	
818	3-965-529-01	PLATE, REGULATOR, TENSION		M901	A-7048-904-A	DRUM BLOCK ASSY (DKH-01A-R)	
819	3-965-536-01	SPRING (LIMITER ARM T), COILO		M902	8-835-635-01	MOTOR, DC SCE12A/C-NP (CAPSTAN)	
820	X-3945-388-1	SLIDER ASSY, GL		M903	X-3945-401-1	MOTOR ASSY, DC (LOADING)	
821	3-965-532-21	ARM, LS		S901	1-762-436-15	SWITCH, ROTARY (ENCODER)	
822	3-965-535-01	SPRING (LIMITER ARM S), COIL					

CD-212

CD-213

CF-62/63/65

6-2. ELECTRICAL PARTS LIST

NOTE:

- Due to standardization, replacements in the parts list may be different from the parts specified in the diagrams or the components used on the set.
- -XX, -X mean standardized parts, so they may have some difference from the original one.
- Items marked "*" are not stocked since they are seldom required for routine service. Some delay should be anticipated when ordering these items.
- CAPACITORS:
uF: μ F
- RESISTORS
All resistors are in ohms.
METAL: metal-film resistor
METAL OXIDE: Metal Oxide-film resistor
F: nonflammable
- COILS
uH: μ H
- SEMICONDUCTORS
In each case, u: μ , for example:
uA... : μ A... , uPA... , μ PA... ,
uPB... , μ PB... , uPC... , μ PC... ,
uPD... , μ PD...
- Abbreviation
CND : Canadian model
EE : East European model
NE : North European model
RU : Russian model
HK : Hong Kong model
AUS : Australian model
CN : Chinese model
BR : Brazilian model
JE : Tourist model

When indicating parts by reference number, please include the board name.

The components identified by mark Δ or dotted line with mark Δ are critical for safety. Replace only with part number specified.

Les composants identifiés par une marque Δ sont critiques pour la sécurité. Ne les remplacer que par une pièce portant le numéro spécifié.

Ref. No.	Part No.	Description	Remarks	Ref. No.	Part No.	Description	Remarks
A-7073-865-A	CD-212 BOARD, COMPLETE (TRV103/TRV110/TRV110P/TRV203/TRV210/ TRV310/TRV310P/TRV315/TR7000) ***** (Ref.No:10000 Series) (IC1401 is not included in this complete board.) < CAPACITOR >			C2409	1-135-210-11	TANTALUM CHIP 4.7uF	20% 10V
				C2411	1-164-850-11	CERAMIC CHIP 10PF	0.5PF 16V
						< CONNECTOR >	
				CN2401	1-766-346-21	CONNECTOR, FFC/FPC 16P	
						< IC >	
C1402	1-119-751-11	TANTAL. CHIP 22uF	20% 16V	IC2401	A-7030-885-A	CCD BLOCK ASSY (CCD IMAGER)	
C1405	1-125-777-11	CERAMIC CHIP 0.1uF	10% 10V	IC2402	8-759-561-46	IC AD8014ART-REEL7	
C1406	1-113-682-11	TANTAL. CHIP 33uF	20% 10V			< COIL >	
C1407	1-107-820-11	CERAMIC CHIP 0.1uF	16V				
				L2401	1-414-757-11	INDUCTOR 100uH	
				L2402	1-414-757-11	INDUCTOR 100uH	
						< RESISTOR >	
CN1401	1-766-346-21	CONNECTOR, FFC/FPC 16P		R2401	1-218-940-11	RES.CHIP 82	5% 1/16W
				R2402	1-218-990-11	SHORT 0	
				R2404	1-218-953-11	RES.CHIP 1K	5% 1/16W
				R2405	1-218-961-11	RES.CHIP 4.7K	5% 1/16W
				R2406	1-218-962-11	RES.CHIP 5.6K	5% 1/16W
IC1401	A-7030-821-A	CCD BLOCK ASSY (CCD IMAGER)					
						< COIL >	
L1402	1-414-757-11	INDUCTOR 100uH					
						< TRANSISTOR >	
Q1401	8-729-117-73	TRANSISTOR 2SC4178-F13F14-T1					
						< RESISTOR >	
R1401	1-218-990-11	SHORT 0					
R1402	1-218-990-11	SHORT 0					
R1403	1-218-959-11	RES.CHIP 3.3K	5% 1/16W				
A-7073-940-A	CD-213 BOARD, COMPLETE (TRV110E/TRV210E/TRV310E/TR7000E/TR7100E) ***** (Ref.No:10000 Series) (IC2401 is not included in this complete board.) < CAPACITOR >						
C2401	1-164-937-11	CERAMIC CHIP 0.001uF	10% 16V				
C2402	1-119-751-11	TANTAL. CHIP 22uF	20% 16V				
C2406	1-113-682-11	TANTAL. CHIP 33uF	20% 10V				
C2407	1-107-820-11	CERAMIC CHIP 0.1uF	16V				
C2408	1-135-177-21	TANTALUM CHIP 1uF	20% 20V				
A-7073-870-A	CF-62(B) BOARD, COMPLETE (TRV103/TRV110/TRV110E/TRV110P) ***** (Ref.No.:7000 Series)						
A-7073-921-A	CF-65(C) BOARD, COMPLETE (TR7000/TR7000E/TR7100E) ***** (Ref.No.:9000 Series)						
A-7073-926-A	CF-63(C) BOARD, COMPLETE (TRV315) *****						
A-7073-955-A	CF-63(B) BOARD, COMPLETE (TRV203/TRV210/TRV210E/TRV310/TRV310E/TRV310P) ***** (Ref.No.:8000 Series)						
						< BATTERY HOLDER >	
BH001	1-550-104-11	HOLDER, BATTERY					
						< BUZZER >	
BZ001	1-529-107-11	BUZZER, PIEZOELECTRIC (TR7000/TR7000E/TR7100E)					

Be sure to read "Precautions upon replacing CCD imager" on page 4-11,14 when changing the CCD imager.

Ref. No.	Part No.	Description	Remarks	Ref. No.	Part No.	Description	Remarks
		< CAPACITOR >					
C003	1-107-826-91	CERAMIC CHIP 0.1uF 10% 16V (TR7000/TR7000E/TR7100E)		R015	1-216-826-11	METAL CHIP 2.7K 5% 1/16W (EXCEPT:TR7000/TR7000E/TR7100E)	
		< CONNECTOR >		R016	1-216-826-11	METAL CHIP 2.7K 5% 1/16W	
CN001	1-778-637-21	CONNECTOR, FFC/FPC (ZIF) 50P		R022	1-216-823-11	METAL CHIP 1.5K 5% 1/16W	
* CN002	1-566-540-11	CONNECTOR, FPC (NON ZIF) 8P (TRV103/TRV110/TRV110E/TRV110P)		R023	1-216-825-11	METAL CHIP 2.2K 5% 1/16W	
CN002	1-774-765-11	CONNECTOR, FFC/FPC 8P (EXCEPT:TRV103/TRV110/TRV110E/TRV110P)		R025	1-216-825-11	METAL CHIP 2.2K 5% 1/16W	
* CN003	1-580-055-21	PIN, CONNECTOR (SMD) 2P (TRV103/TRV110/TRV110E/TRV110P)		R026	1-216-825-11	METAL CHIP 2.2K 5% 1/16W	
CN003	1-695-320-21	PIN, CONNECTOR (1.5MM)(SMD) 2P (TRV203/TRV210/TRV210E/TRV310/TRV310E/TRV310P/TRV315)		R029	1-216-828-11	METAL CHIP 3.9K 5% 1/16W	
CN006	1-778-508-21	PIN, CONNECTOR (PC BOARD) 6P (EXCEPT:TR7000/TR7000E/TR7100E)		R030	1-216-833-11	METAL CHIP 10K 5% 1/16W	
CN007	1-779-334-11	CONNECTOR, FFC/FPC 20P (TRV315/TR7000/TR7000E/TR7100E)		R031	1-216-828-11	METAL CHIP 3.9K 5% 1/16W	
* CN008	1-778-283-11	CONNECTOR, FFC/FPC 4P (EXCEPT:TRV315/TR7000/TR7000E/TR7100E)		R032	1-216-828-11	METAL CHIP 3.9K 5% 1/16W (EXCEPT:TR7000/TR7000E/TR7100E)	
CN009	1-691-364-21	CONNECTOR, FFC/FPC (ZIF) 26P (TR7000/TR7000E/TR7100E)		R036	1-216-832-11	METAL CHIP 8.2K 5% 1/16W	
CN009	1-778-509-21	PIN, CONNECTOR (PC BOARD) 11P (EXCEPT:TR7000/TR7000E/TR7100E)		R037	1-216-832-11	METAL CHIP 8.2K 5% 1/16W (EXCEPT:TR7000/TR7000E/TR7100E)	
CN010	1-774-633-11	CONNECTOR, FFC/FPC 8P (TRV103/TRV110/TRV110E/TRV110P)		R038	1-216-832-11	METAL CHIP 8.2K 5% 1/16W	
CN010	1-779-328-21	CONNECTOR, FFC/FPC 8P (EXCEPT:TRV103/TRV110/TRV110E/TRV110P)		R039	1-216-838-11	METAL CHIP 27K 5% 1/16W	
		< DIODE >		R040	1-216-838-11	METAL CHIP 27K 5% 1/16W (EXCEPT:TR7000/TR7000E/TR7100E)	
D001	8-719-062-16	DIODE 01ZA8.2(TPL3) (EXCEPT:TR7000/TR7000E/TR7100E)		R041	1-216-838-11	METAL CHIP 27K 5% 1/16W	
D003	8-719-062-16	DIODE 01ZA8.2(TPL3) (TR7000/TR7000E/TR7100E)		R042	1-216-864-11	METAL CHIP 0 5% 1/16W (TR7000/TR7000E/TR7100E)	
D005	8-719-073-03	DIODE MA8082-(K8).SO		R044	1-216-864-11	METAL CHIP 0 5% 1/16W (TR7000/TR7000E/TR7100E)	
D006	8-719-073-03	DIODE MA8082-(K8).SO		R046	1-216-840-11	METAL CHIP 39K 5% 1/16W (TR7000/TR7000E/TR7100E)	
D008	8-719-073-01	DIODE MA111-(K8).SO		R049	1-216-864-11	METAL CHIP 0 5% 1/16W	
D013	8-719-073-03	DIODE MA8082-(K8).SO		R050	1-216-845-11	METAL CHIP 100K 5% 1/16W	
		< IC >		R052	1-216-816-11	METAL CHIP 390 5% 1/16W	
IC001	8-759-573-02	IC BU9735K-E2 (TR7000/TR7000E/TR7100E)		R053	1-216-803-11	METAL CHIP 33 5% 1/16W	
		< TRANSISTOR >				< SWITCH >	
Q001	8-729-420-50	TRANSISTOR UN5215-(TX) (EXCEPT:TRV315/TR7000/TR7000E/TR7100E)		S001	1-771-138-61	SWITCH, KEY BOARD (DIGITAL EFFECT)	
Q003	8-729-230-63	TRANSISTOR 2SD1819A-QRS-TX		S003	1-771-138-61	SWITCH, KEY BOARD (DATE CORD)	
Q005	8-729-230-72	TRANSISTOR 2SA1362-YG-EL		S004	1-771-029-21	SWITCH, TACTILE (PROGRAM AE) (EXCEPT:TR7000/TR7000E/TR7100E)	
		< RESISTOR >		S004	1-771-138-61	SWITCH, KEY BOARD (PROGRAM AE) (TR7000/TR7000E/TR7100E)	
R003	1-216-814-11	METAL CHIP 270 5% 1/16W		S006	1-771-138-61	SWITCH, KEY BOARD (PICTURE EFFECT)	
R005	1-216-833-11	METAL CHIP 10K 5% 1/16W		S010	1-771-029-21	SWITCH, TACTILE (MENU) (TR7000/TR7000E/TR7100E)	
R006	1-216-833-11	METAL CHIP 10K 5% 1/16W		S010	1-771-138-61	SWITCH, KEY BOARD (MENU) (EXCEPT:TR7000/TR7000E/TR7100E)	
R007	1-216-833-11	METAL CHIP 10K 5% 1/16W		S012	1-771-029-21	SWITCH, TACTILE (EXPOSURE)	
R008	1-216-833-11	METAL CHIP 10K 5% 1/16W		S013	1-771-138-61	SWITCH, KEY BOARD (END SEARCH) (EXCEPT:TR7000/TR7000E/TR7100E)	
R009	1-216-833-11	METAL CHIP 10K 5% 1/16W		S015	1-771-025-41	SWITCH, ROTARY (ENCODER) (SEL/PUSH EXEC)	
R011	1-216-855-11	METAL CHIP 680K 5% 1/16W (TR7000/TR7000E/TR7100E)		S017	1-771-029-21	SWITCH, TACTILE (BACK LIGHT) (EXCEPT:TR7000/TR7000E/TR7100E)	
R012	1-216-864-11	METAL CHIP 0 5% 1/16W (TR7000/TR7000E/TR7100E)		S017	1-771-138-61	SWITCH, KEY BOARD (BACK LIGHT) (TR7000/TR7000E/TR7100E)	
R013	1-216-822-11	METAL CHIP 1.2K 5% 1/16W		S022	1-771-138-61	SWITCH, KEY BOARD (DISPLAY) (EXCEPT:TR7000/TR7000E/TR7100E)	
R014	1-216-826-11	METAL CHIP 2.7K 5% 1/16W (TR7000/TR7000E/TR7100E)		S024	1-762-648-21	SWITCH, SLIDE (START/STOP MODE)	
				S027	1-771-029-31	SWITCH, TACTILE (FADER) (EXCEPT:TR7000/TR7000E/TR7100E)	
				S027	1-771-138-61	SWITCH, KEY BOARD (FADER) (TR7000/TR7000E/TR7100E)	

Ref. No.	Part No.	Description	Remarks
A-7073-866-A	DD-117(V) BOARD, COMPLETE (EXCEPT:TRV315/TR7000/TR7000E/TR7100E) *****		
A-7073-917-A	DD-117 (C) BOARD, COMPLETE (TR7000/TR7000E/TR7100E) *****		
A-7073-922-A	DD-117(VC) BOARD, COMPLETE (TRV315) ***** (Ref.No.:6000 Series)		
< CAPACITOR >			
C801	1-162-967-11	CERAMIC CHIP 0.0033uF 10%	50V
C802	1-162-960-11	CERAMIC CHIP 220PF 10%	50V
C803	1-107-826-91	CERAMIC CHIP 0.1uF 10%	16V
C804	1-107-826-91	CERAMIC CHIP 0.1uF 10%	16V
C805	1-107-826-91	CERAMIC CHIP 0.1uF 10%	16V
C806	1-107-826-91	CERAMIC CHIP 0.1uF 10%	16V
C807	1-162-970-11	CERAMIC CHIP 0.01uF 10%	25V
C808	1-162-967-11	CERAMIC CHIP 0.0033uF 10%	50V
C809	1-162-962-11	CERAMIC CHIP 470PF 10%	50V
C810	1-164-227-11	CERAMIC CHIP 0.022uF 10%	25V
C811	1-162-965-11	CERAMIC CHIP 0.0015uF 10%	50V
C812	1-162-964-11	CERAMIC CHIP 0.001uF 10%	50V
C813	1-162-964-11	CERAMIC CHIP 0.001uF 10%	50V
C815	1-162-964-11	CERAMIC CHIP 0.001uF 10%	50V
C817	1-113-991-11	TANTAL. CHIP 33uF 20%	16V
C818	1-163-038-91	CERAMIC CHIP 0.1uF	25V
C819	1-162-964-11	CERAMIC CHIP 0.001uF 10%	50V
C820	1-162-964-11	CERAMIC CHIP 0.001uF 10%	50V
C821	1-162-964-11	CERAMIC CHIP 0.001uF 10%	50V
C823	1-115-566-11	CERAMIC CHIP 4.7uF 10%	10V
C824	1-115-566-11	CERAMIC CHIP 4.7uF 10%	10V
C825	1-115-566-11	CERAMIC CHIP 4.7uF 10%	10V
C826	1-115-566-11	CERAMIC CHIP 4.7uF 10%	10V
C827	1-164-227-11	CERAMIC CHIP 0.022uF 10% 25V (EXCEPT:TR7000/TR7000E/TR7100E)	
C828	1-162-962-11	CERAMIC CHIP 470PF 10% 50V (EXCEPT:TR7000/TR7000E/TR7100E)	
C829	1-162-966-11	CERAMIC CHIP 0.0022uF 10% 50V (EXCEPT:TR7000/TR7000E/TR7100E)	
C830	1-162-966-11	CERAMIC CHIP 0.0022uF 10% 50V (EXCEPT:TR7000/TR7000E/TR7100E)	
C831	1-164-489-11	CERAMIC CHIP 0.22uF 10% 16V (EXCEPT:TR7000/TR7000E/TR7100E)	
C832	1-115-566-11	CERAMIC CHIP 4.7uF 10%	10V
C833	1-162-974-11	CERAMIC CHIP 0.01uF 50V (EXCEPT:TR7000/TR7000E/TR7100E)	
C834	1-115-566-11	CERAMIC CHIP 4.7uF 10%	10V
C836	1-115-566-11	CERAMIC CHIP 4.7uF 10%	10V
C837	1-115-566-11	CERAMIC CHIP 4.7uF 10%	10V
C838	1-115-566-11	CERAMIC CHIP 4.7uF 10%	10V
C840	1-115-566-11	CERAMIC CHIP 4.7uF 10% 10V (EXCEPT:TR7000/TR7000E/TR7100E)	
C841	1-135-149-21	TANTALUM CHIP 2.2uF 20%	10V
C842	1-135-216-11	TANTALUM CHIP 10uF 20% 10V (EXCEPT:TR7000/TR7000E/TR7100E)	
C843	1-135-157-21	TANTALUM CHIP 10uF 20%	6.3V
C844	1-135-157-21	TANTALUM CHIP 10uF 20%	6.3V
C846	1-135-149-21	TANTALUM CHIP 2.2uF 20%	10V

Ref. No.	Part No.	Description	Remarks
C847	1-164-506-11	CERAMIC CHIP 4.7uF	16V
C848	1-164-506-11	CERAMIC CHIP 4.7uF	16V
C849	1-135-149-21	TANTALUM CHIP 2.2uF 20% 10V (EXCEPT:TR7000/TR7000E/TR7100E)	
C850	1-135-149-21	TANTALUM CHIP 2.2uF 20%	10V
C851	1-135-157-21	TANTALUM CHIP 10uF 20%	6.3V
C852	1-164-505-11	CERAMIC CHIP 2.2uF 16V (EXCEPT:TR7000/TR7000E/TR7100E)	
C853	1-165-319-11	CERAMIC CHIP 0.1uF 50V (EXCEPT:TR7000/TR7000E/TR7100E)	
C854	1-135-157-21	TANTALUM CHIP 10uF 20% 6.3V (EXCEPT:TRV315/TR7000/TR7000E/TR7100E)	
C855	1-135-149-21	TANTALUM CHIP 2.2uF 20%	10V
C856	1-109-982-11	CERAMIC CHIP 1uF 10%	10V
C857	1-135-157-21	TANTALUM CHIP 10uF 20%	6.3
C860	1-107-826-91	CERAMIC CHIP 0.1uF 10%	16V
C861	1-162-968-11	CERAMIC CHIP 0.0047uF 10% 50V (EXCEPT:TRV315/TR7000/TR7000E/TR7100E)	
C861	1-164-227-11	CERAMIC CHIP 0.022uF 10% 25V (TRV315/TR7000/TR7000E/TR7100E)	
C862	1-164-227-11	CERAMIC CHIP 0.022uF 10% 25V (EXCEPT:TR7000/TR7000E/TR7100E)	
C863	1-164-227-11	CERAMIC CHIP 0.022uF 10% 25V (EXCEPT:TR7000/TR7000E/TR7100E)	
C864	1-113-985-11	TANTAL. CHIP 10uF 20%	20V
C865	1-164-505-11	CERAMIC CHIP 2.2uF 16V (EXCEPT:TR7000/TR7000E/TR7100E)	
C866	1-164-505-11	CERAMIC CHIP 2.2uF 16V (EXCEPT:TR7000/TR7000E/TR7100E)	
C867	1-164-346-11	CERAMIC CHIP 1uF 16V (TRV315/TR7000/TR7000E/TR7100E)	
C868	1-135-214-21	TANTAL. CHIP 4.7uF 20%	20V
C869	1-164-505-11	CERAMIC CHIP 2.2uF 16V (EXCEPT:TR7000/TR7000E/TR7100E)	
C871	1-135-157-21	TANTALUM CHIP 10uF 20%	6.3V
C872	1-164-227-11	CERAMIC CHIP 0.022uF 10%	25V
C873	1-164-227-11	CERAMIC CHIP 0.022uF 10% 25V (EXCEPT:TR7000/TR7000E/TR7100E)	
C875	1-164-489-11	CERAMIC CHIP 0.22uF 10% 16V (EXCEPT:TR7000/TR7000E/TR7100E)	
C876	1-107-826-91	CERAMIC CHIP 0.1uF 10%	16V
C877	1-107-826-91	CERAMIC CHIP 0.1uF 10%	16V
< CONNECTOR >			
* CN801	1-580-756-21	PIN, CONNECTOR (SMD) 7P	
CN931	1-774-597-41	CONNECTOR, BOARD TO BOARD 70P (EXCEPT:TR7000/TR7000E/TR7100E)	
CN931	1-793-129-21	CONNECTOR, BOARD TO BOARD 70P (TR7000/TR7000E/TR7100E)	
CN933	1-785-627-21	PIN, CONNECTOR (PC BOARD) 10P (EXCEPT:TR7000/TR7000E/TR7100E)	
CN934	1-766-342-21	CONNECTOR, FFC/FPC 12P	
CN935	1-764-709-11	CONNECTOR, FFC/FPC (LIF) 10P	
CN936	1-774-631-21	CONNECTOR, FFC/FPC 6P	

Ref. No.	Part No.	Description	Remarks	Ref. No.	Part No.	Description	Remarks
		< DIODE >					
D806	8-719-027-76	DIODE 1SS357-TPH3 (EXCEPT:TR7000/TR7000E/TR7100E)		L816	1-414-396-21	INDUCTOR 4.7uH (TRV315/TR7000/TR7000E/TR7100E)	
D809	8-719-027-77	DIODE MA796-TX		L817	1-414-396-21	INDUCTOR 4.7uH	
D810	8-719-027-76	DIODE 1SS357-TPH3 (EXCEPT:TR7000/TR7000E/TR7100E)		L818	1-414-396-21	INDUCTOR 4.7uH (EXCEPT:TR7000/TR7000E/TR7100E)	
D812	8-719-027-76	DIODE 1SS357-TPH3 (EXCEPT:TR7000/TR7000E/TR7100E)		L819	1-414-400-11	INDUCTOR 33uH	
D813	8-719-073-03	DIODE MA8082-(K8).SO		L820	1-424-674-11	INDUCTOR 22uH (EXCEPT:TR7000/TR7000E/TR7100E)	
D814	8-719-073-03	DIODE MA8082-(K8).SO		L821	1-412-056-11	INDUCTOR CHIP 4.7uH (EXCEPT:TR7000/TR7000E/TR7100E)	
D815	8-719-073-03	DIODE MA8082-(K8).SO				< FUSE >	
D816	8-719-027-76	DIODE 1SS357-TPH3		△ PS801	1-576-286-21	FUSE, MICRO (1.4A/24V)	
D817	8-719-073-02	DIODE MA728-(K8).SO		△ PS803	1-576-286-21	FUSE, MICRO (1.4A/24V)	
D818	8-719-027-76	DIODE 1SS357-TPH3 (EXCEPT:TR7000/TR7000E/TR7100E)		△ PS804	1-576-286-21	FUSE, MICRO (1.4A/24V)	
D819	8-719-073-01	DIODE MA111-(K8).SO		△ PS805	1-576-286-21	FUSE, MICRO (1.4A/24V) (EXCEPT:TR7000/TR7000E/TR7100E)	
D822	8-719-056-89	DIODE MA8120-TX		△ PS806	1-576-286-21	FUSE, MICRO (1.4A/24V)	
D933	8-719-062-16	DIODE 01ZA8.2(TPL3)				< TRANSISTOR >	
D934	8-719-062-16	DIODE 01ZA8.2(TPL3)		Q801	8-729-024-48	TRANSISTOR 2SK1830-TE85L	
D936	8-719-062-16	DIODE 01ZA8.2(TPL3)		Q803	8-729-804-41	TRANSISTOR 2SB1122-ST-TD	
		< FERRITE BEAD >		Q804	8-729-042-29	TRANSISTOR RN1104F(TPL3)	
FB931	1-414-760-21	FERRITE 0UH		Q805	8-729-024-48	TRANSISTOR 2SK1830-TE85L	
FB931	1-500-238-22	FERRITE 0UH		Q806	8-729-042-29	TRANSISTOR RN1104F(TPL3) (EXCEPT:TR7000/TR7000E/TR7100E)	
FB931	1-500-329-11	INDUCTOR CHIP 0UH		Q807	8-729-804-41	TRANSISTOR 2SB1122-ST-TD	
FB932	1-414-760-21	FERRITE 0UH		Q808	8-729-046-98	TRANSISTOR CPH6702-TL	
FB932	1-500-238-22	FERRITE 0UH		Q809	8-729-046-98	TRANSISTOR CPH6702-TL	
FB932	1-500-329-11	INDUCTOR CHIP 0UH		Q810	8-729-046-98	TRANSISTOR CPH6702-TL	
FB933	1-414-760-21	FERRITE 0UH		Q812	8-729-044-58	TRANSISTOR SI2304DS-T1	
FB933	1-500-238-22	FERRITE 0UH		Q813	8-729-037-53	TRANSISTOR 2SA1832F-Y/GR(TPL3) (EXCEPT:TR7000/TR7000E/TR7100E)	
FB933	1-500-329-11	INDUCTOR CHIP		Q814	8-729-046-98	TRANSISTOR CPH6702-TL	
		< IC >		Q815	8-729-046-98	TRANSISTOR CPH6702-TL	
IC801	8-759-384-78	IC SN104241PM-TEB		Q817	8-729-044-58	TRANSISTOR SI2304DS-T1	
IC802	8-759-492-30	IC MB3817PFV-G-BND (EXCEPT:TR7000/TR7000E/TR7100E)		Q819	8-729-046-98	TRANSISTOR CPH6702-TL (EXCEPT:TR7000/TR7000E/TR7100E)	
		< COIL >		Q820	8-729-042-29	TRANSISTOR RN1104F(TPL3)	
L804	1-412-056-11	INDUCTOR CHIP 4.7uH (EXCEPT:TR7000/TR7000E/TR7100E)		Q823	8-729-042-29	TRANSISTOR RN1104F(TPL3)	
L805	1-409-532-41	INDUCTOR 33uH		Q824	8-729-042-29	TRANSISTOR MGSF3455VT1	
L805	1-424-675-51	INDUCTOR 33uH		Q826	8-729-042-29	TRANSISTOR RN1104F(TPL3)	
L806	1-424-674-11	INDUCTOR 22uH		Q827	8-729-037-61	TRANSISTOR RN2104F(TPL3) (EXCEPT:TR7000/TR7000E/TR7100E)	
L807	1-424-674-11	INDUCTOR 22uH		Q828	8-729-042-29	TRANSISTOR RN1104F(TPL3) (EXCEPT:TR7000/TR7000E/TR7100E)	
L808	1-424-674-11	INDUCTOR 22uH		Q829	8-729-037-53	TRANSISTOR 2SA1832F-Y/GR(TPL3)	
L809	1-424-674-11	INDUCTOR 22uH		Q830	8-729-037-52	TRANSISTOR 2SA1832F-Y/GR(TPL3)	
L810	1-414-396-21	INDUCTOR 4.7uH		Q831	8-729-046-75	TRANSISTOR SI2301DS-T1	
L811	1-414-396-21	INDUCTOR 4.7uH		Q832	8-729-046-75	TRANSISTOR SI2301DS-T1 (EXCEPT:TR7000/TR7000E/TR7100E)	
L812	1-414-396-21	INDUCTOR 4.7uH		Q833	8-729-041-23	TRANSISTOR NDS356AP (EXCEPT:TR7000/TR7000E/TR7100E)	
L813	1-414-396-21	INDUCTOR 4.7uH		Q834	8-729-037-53	TRANSISTOR 2SA1832F-Y/GR(TPL3)	
L814	1-414-396-21	INDUCTOR 4.7uH (EXCEPT:TRV315/TR7000/TR7000E/TR7100E)		Q835	8-729-037-52	TRANSISTOR 2SC4738F-Y/GR(TPL3) (EXCEPT:TR7000/TR7000E/TR7100E)	
L814	1-414-400-11	INDUCTOR 22uH (TRV315/TR7000/TR7000E/TR7100E)		Q836	8-729-037-53	TRANSISTOR 2SA1832F-Y/GR(TPL3) (EXCEPT:TR7000/TR7000E/TR7100E)	
L815	1-414-396-21	INDUCTOR 4.7uH		Q837	8-729-037-52	TRANSISTOR 2SD2216J-QR(TX).SO (TRV315/TR7000/TR7000E/TR7100E)	
L816	1-414-396-21	INDUCTOR 4.7uH (EXCEPT:TRV315/TR7000/TR7000E/TR7100E)					

<p>Note : The components identified by mark △ or dotted line with mark △ are critical for safety. Replace only with part number specified.</p>	<p>Note : Les composants identifiés par une marque △ sont critiques pour la sécurité. Ne les remplacer que par une pièce portant le numéro spécifié.</p>
---	---

Ref. No.	Part No.	Description	Remarks	Ref. No.	Part No.	Description	Remarks
Q838	8-729-037-53	TRANSISTOR 2SA1832F-Y/GR(TPL3) (EXCEPT:TR7000/TR7000E/TR7100E)		R827	1-216-821-11	METAL CHIP 1K	5% 1/16W
Q839	8-729-037-52	TRANSISTOR 2SC4738F-Y/GR(TPL3) (EXCEPT:TR7000/TR7000E/TR7100E)		R828	1-216-831-11	METAL CHIP 6.8K	5% 1/16W
Q840	8-729-037-53	TRANSISTOR 2SA1832F-Y/GR(TPL3) (EXCEPT:TR7000/TR7000E/TR7100E)		R829	1-216-879-11	RES, CHIP 22K	0.50% 1/16W
Q841	8-729-037-53	TRANSISTOR 2SB1462J-QR(TX).SO (TRV315/TR7000/TR7000E/TR7100E)		R830	1-218-883-11	RES, CHIP 47K	5% 1/16W
Q842	8-729-037-52	TRANSISTOR 2SC4738F-Y/GR(TPL3)		R831	1-216-841-11	METAL CHIP 47K	5% 1/16W
Q843	8-729-037-53	TRANSISTOR 2SA1832F-Y/GR(TPL3)		R832	1-216-879-11	RES, CHIP 22K	0.50% 1/16W
Q844	8-729-037-53	TRANSISTOR 2SA1832F-Y/GR(TPL3) (EXCEPT:TR7000/TR7000E/TR7100E)		R833	1-216-833-11	METAL CHIP 10K	5% 1/16W
Q845	8-729-037-52	TRANSISTOR 2SC4738F-Y/GR(TPL3) (EXCEPT:TR7000/TR7000E/TR7100E)		R834	1-218-881-11	RES, CHIP 27K	0.50% 1/16W
Q846	8-729-037-52	TRANSISTOR 2SD2216J-QR(TX).SO (TRV315/TR7000/TR7000E/TR7100E)		R835	1-216-879-11	RES, CHIP 22K	0.50% 1/16W
Q847	8-729-037-52	TRANSISTOR 2SC4738F-Y/GR(TPL3) (EXCEPT:TR7000/TR7000E/TR7100E)		R836	1-216-837-11	METAL CHIP 22K	5% 1/16W
Q848	8-729-037-52	TRANSISTOR 2SC4738F-Y/GR(TPL3) (EXCEPT:TR7000/TR7000E/TR7100E)		R837	1-216-855-11	RES, CHIP 2.2K	0.50% 1/16W
Q849	8-729-037-53	TRANSISTOR 2SA1832F-Y/GR(TPL3) (EXCEPT:TR7000/TR7000E/TR7100E)		R838	1-216-837-11	METAL CHIP 22K	5% 1/16W
Q850	8-729-037-52	TRANSISTOR 2SC4738F-Y/GR(TPL3) (EXCEPT:TR7000/TR7000E/TR7100E)		R839	1-216-837-11	METAL CHIP 22K	5% 1/16W
△Q851	8-729-046-77	TRANSISTOR SI4963DY-T1		R840	1-216-839-11	METAL CHIP 33K	5% 1/16W
Q852	8-729-017-61	TRANSISTOR 2SB1581-T1		R841	1-216-834-11	METAL CHIP 12K	5% 1/16W
Q853	8-729-037-53	TRANSISTOR 2SA1832F-Y/GR(TPL3)		R842	1-218-903-11	RES, CHIP 220K	0.50% 1/16W (EXCEPT:TR7000/TR7000E/TR7100E)
Q854	8-729-037-52	TRANSISTOR 2SC4738F-Y/GR(TPL3)		R843	1-218-895-11	RES, CHIP 100K	0.50% 1/16W (EXCEPT:TR7000/TR7000E/TR7100E)
Q855	8-729-037-52	TRANSISTOR 2SC4738F-Y/GR(TPL3)		R844	1-216-296-91	SHORT 0	
Q856	8-729-037-52	TRANSISTOR 2SC4738F-Y/GR(TPL3)		R845	1-216-847-11	METAL CHIP 1K	0.50% 1/16W (EXCEPT:TR7000/TR7000E/TR7100E)
Q932	8-729-042-29	TRANSISTOR RN1104F(TPL3)		R846	1-216-296-91	SHORT 0	
Q933	8-729-042-29	TRANSISTOR RN1104F(TPL3)		R847	1-216-296-91	SHORT 0	
Q934	8-729-037-53	TRANSISTOR 2SA1832F-Y/GR(TPL3)		R849	1-216-837-11	METAL CHIP 22K	5% 1/16W (EXCEPT:TR7000/TR7000E/TR7100E)
< RESISTOR >				R850	1-216-857-11	METAL CHIP 1M	5% 1/16W (EXCEPT:TR7000/TR7000E/TR7100E)
R801	1-216-841-11	METAL CHIP 47K	5% 1/16W	R852	1-216-851-11	METAL CHIP 1.5K	0.5% 1/16W (EXCEPT:TR7000/TR7000E/TR7100E)
R802	1-216-893-11	RES, CHIP 82K	0.50% 1/16W	R853	1-216-849-11	METAL CHIP 220K	5% 1/16W (EXCEPT:TR7000/TR7000E/TR7100E)
R803	1-216-833-11	METAL CHIP 10K	5% 1/16W	R854	1-216-849-11	RES, CHIP 47K	0.5% 1/16W (EXCEPT:TR7000/TR7000E/TR7100E)
R804	1-216-837-11	METAL CHIP 22K	5% 1/16W	R859	1-216-845-11	METAL CHIP 100K	5% 1/16W
R805	1-216-835-11	METAL CHIP 15K	5% 1/16W	R864	1-216-857-11	METAL CHIP 1M	5% 1/16W
R806	1-218-879-11	RES,CHIP 22K	0.50% 1/16W	R865	1-216-841-11	METAL CHIP 47K	5% 1/16W
R807	1-216-839-11	METAL CHIP 33K	5% 1/16W	R866	1-216-837-11	METAL CHIP 22K	5% 1/16W
R808	1-218-879-11	RES,CHIP 22K	0.50% 1/16W	R868	1-216-849-11	METAL CHIP 220K	5% 1/16W (EXCEPT:TR7000/TR7000E/TR7100E)
R809	1-218-813-11	METAL CHIP 220	5% 1/16W	R870	1-216-845-11	METAL CHIP 100K	5% 1/16W (TRV315/TR7000/TR7000E/TR7100E)
R810	1-216-837-11	METAL CHIP 22K	5% 1/16W	R870	1-216-857-11	METAL CHIP 1M	5% 1/16W (EXCEPT:TRV315/TR7000/TR7000E/TR7100E)
R811	1-216-879-11	RES, CHIP 22K	0.50% 1/16W	R871	1-216-857-11	METAL CHIP 1M	5% 1/16W
R812	1-218-901-11	RES,CHIP 180K	0.50% 1/16W	R872	1-216-845-11	METAL CHIP 100K	5% 1/16W
R813	1-216-853-11	METAL CHIP 470K	5% 1/16W	R873	1-216-841-11	METAL CHIP 47K	5% 1/16W
R814	1-218-879-11	RES,CHIP 22K	0.50% 1/16W	R874	1-216-849-11	METAL CHIP 220K	5% 1/16W (EXCEPT:TR7000/TR7000E/TR7100E)
R815	1-216-833-11	METAL CHIP 10K	5% 1/16W	R875	1-216-849-11	METAL CHIP 220K	5% 1/16W (EXCEPT:TR7000/TR7000E/TR7100E)
R816	1-216-879-11	RES, CHIP 22K	0.50% 1/16W	R876	1-216-849-11	METAL CHIP 220K	5% 1/16W (EXCEPT:TR7000/TR7000E/TR7100E)
R817	1-216-879-11	RES, CHIP 22K	0.50% 1/16W	R878	1-216-857-11	METAL CHIP 1M	5% 1/16W (EXCEPT:TR7000/TR7000E/TR7100E)
R818	1-218-813-11	METAL CHIP 220	5% 1/16W				
R819	1-218-887-11	RES,CHIP 47K	0.50% 1/16W				
R820	1-216-845-11	METAL CHIP 100K	5% 1/16W				
R821	1-216-879-11	RES, CHIP 22K	0.50% 1/16W				
R822	1-216-150-91	RES, CHIP 10	5% 1/8W				
R824	1-216-837-11	METAL CHIP 22K	5% 1/16W				
R825	1-216-879-11	RES, CHIP 22K	0.50% 1/16W				
R826	1-216-821-11	METAL CHIP 1K	5% 1/16W				

Note :
The components identified by mark △ or dotted line with mark △ are critical for safety. Replace only with part number specified.

Note :
Les composants identifiés par une marque △ sont critiques pour la sécurité. Ne les remplacer que par une pièce portant le numéro spécifié.

Ref. No.	Part No.	Description	Remarks
R879	1-216-837-11	METAL CHIP 22K 5%	1/16W
R880	1-218-895-11	RES,CHIP 100K 0.50%	1/16W
R881	1-218-877-11	RES,CHIP 18K 0.50%	1/16W
R882	1-218-903-11	RES,CHIP 220K 0.50%	1/16W
R883	1-216-841-11	METAL CHIP 47K 5%	1/16W (EXCEPT:TR7000/TR7000E/TR7100E)
R884	1-216-845-11	METAL CHIP 100K 5%	1/16W (EXCEPT:TR7000/TR7000E/TR7100E)
R885	1-216-845-11	METAL CHIP 100K 5%	1/16W (TRV315/TR7000/TR7000E/TR7100E)
R887	1-216-849-11	METAL CHIP 220K 5%	1/16W (EXCEPT:TR7000/TR7000E/TR7100E)
R888	1-216-845-11	METAL CHIP 100K 5%	1/16W (EXCEPT:TR7000/TR7000E/TR7100E)
R889	1-216-837-11	METAL CHIP 22K 5%	1/16W (TRV315/TR7000/TR7000E/TR7100E)
R890	1-216-845-11	METAL CHIP 100K 5%	1/16W
R891	1-218-895-11	RES,CHIP 100K 0.50%	1/16W (EXCEPT:TR7000/TR7000E/TR7100E)
R892	1-218-903-11	RES,CHIP 220K 0.50%	1/16W (EXCEPT:TR7000/TR7000E/TR7100E)
R893	1-216-835-11	METAL CHIP 15K 5%	1/16W (EXCEPT:TR7000/TR7000E/TR7100E)
R894	1-216-857-11	METAL CHIP 1M 5%	1/16W (TRV315/TR7000/TR7000E/TR7100E)
R895	1-216-837-11	METAL CHIP 22K 5%	1/16W
R896	1-218-903-11	RES,CHIP 220K 0.50%	1/16W (EXCEPT:TR7000/TR7000E/TR7100E)
R897	1-218-891-11	RES,CHIP 68K 0.50%	1/16W (EXCEPT:TR7000/TR7000E/TR7100E)
R898	1-218-895-11	RES,CHIP 100K 0.50%	1/16W (TRV315/TR7000/TR7000E/TR7100E)
R899	1-218-881-11	RES,CHIP 27K 0.50%	1/16W (TRV315/TR7000/TR7000E/TR7100E)
R900	1-218-895-11	RES,CHIP 100K 0.50%	1/16W
R901	1-218-887-11	RES,CHIP 47K 0.50%	1/16W
R902	1-218-875-11	RES,CHIP 15K 0.50%	1/16W
R903	1-216-845-11	METAL CHIP 100K 5%	1/16W (EXCEPT:TR7000/TR7000E/TR7100E)
R904	1-216-849-11	METAL CHIP 220K 5%	1/16W (EXCEPT:TR7000/TR7000E/TR7100E)
R905	1-218-901-11	RES,CHIP 180K 0.50%	1/16W (EXCEPT:TR7000/TR7000E/TR7100E)
R906	1-216-833-11	METAL CHIP 10K 5%	1/16W (EXCEPT:TR7000/TR7000E/TR7100E)
R907	1-218-903-11	RES,CHIP 220K 0.50%	1/16W (EXCEPT:TR7000/TR7000E/TR7100E)
R908	1-216-841-11	METAL CHIP 47K 5%	1/16W
R910	1-216-833-11	METAL CHIP 10K 5%	1/16W
R911	1-218-883-11	RES,CHIP 33K 0.50%	1/16W
R912	1-218-879-11	RES,CHIP 22K 0.50%	1/16W
R913	1-216-857-11	METAL CHIP 1M 5%	1/16W
R914	1-216-811-11	METAL CHIP 150 5%	1/16W (EXCEPT:TR7000/TR7000E/TR7100E)
R915	1-218-911-11	RES,CHIP 470K 0.50%	1/16W (EXCEPT:TR7000/TR7000E/TR7100E)

Ref. No.	Part No.	Description	Remarks
R916	1-216-864-11	METAL CHIP 0 5%	1/16W (TRV315/TR7000/TR7000E/TR7100E)
R917	1-216-864-11	METAL CHIP 0 5%	1/16W (EXCEPT:TRV315/TR7000/TR7000E/TR7100E)
R918	1-216-849-11	METAL CHIP 220K 5%	1/16W (EXCEPT:TR7000/TR7000E/TR7100E)
R921	1-216-296-91	SHORT 0	
R922	1-216-296-91	SHORT 0	
R923	1-216-296-91	SHORT 0	
R924	1-216-849-11	METAL CHIP 220K 5%	1/16W (EXCEPT:TR7000/TR7000E/TR7100E)
R925	1-216-829-11	METAL CHIP 4.7K 5%	1/16W (EXCEPT:TR7000/TR7000E/TR7100E)
R926	1-216-821-11	METAL CHIP 1K 5%	1/16W
R932	1-216-841-11	METAL CHIP 47K 5%	1/16W
R933	1-216-821-11	METAL CHIP 1K 5%	1/16W
R934	1-216-821-11	METAL CHIP 1K 5%	1/16W
R935	1-216-821-11	METAL CHIP 1K 5%	1/16W
R936	1-216-821-11	METAL CHIP 1K 5%	1/16W
R937	1-216-821-11	METAL CHIP 1K 5%	1/16W
R938	1-216-821-11	METAL CHIP 1K 5%	1/16W
R939	1-216-821-11	METAL CHIP 1K 5%	1/16W
R940	1-216-819-11	METAL CHIP 680 5%	1/16W
R941	1-216-821-11	METAL CHIP 1K 5%	1/16W
R942	1-216-821-11	METAL CHIP 1K 5%	1/16W
R943	1-216-029-00	METAL CHIP 150 5%	1/10W
R945	1-217-671-11	METAL CHIP 1 5%	1/10W
< TRANSFORMER >			
△ T801	1-429-565-21	TRANSFORMER, CONVERTER	(EXCEPT:TR7000/TR7000E/TR7100E)
△ T801	1-431-749-11	TRANSFORMER, DC/DC CONVERTER	(TR7000/TR7000E/TR7100E)
FP-249 BOARD, COMPLETE (Not supplied) ***** (Ref.No.:20000 Series)			
1-658-214-11	FP-356 FLEXIBLE BOARD		
3-965-551-01	HOLDER (S), SENSOR		
3-965-552-01	HOLDER (T), SENSOR		
< HOLE ELEMENT >			
H001	8-719-033-37	ELEMENT, HALL HW-105C	
H002	8-719-033-37	ELEMENT, HALL HW-105C	
< TRANSISTOR >			
Q001	8-729-907-25	PHOTO TRANSISTOR PT4850F	
Q002	8-729-907-25	PHOTO TRANSISTOR PT4850F	
< SWITCH >			
S001	1-692-614-11	SWITCH, PUSH (3 KEY)	(H18 MP,ME/MP,REC PROOF)
S002	1-572-688-11	SWITCH, PUSH (1 KEY)(C.C.LOCK)	

<p>Note : The components identified by mark △ or dotted line with mark △ are critical for safety. Replace only with part number specified.</p>	<p>Note : Les composants identifiés par une marque △ sont critiques pour la sécurité. Ne les remplacer que par une pièce portant le numéro spécifié.</p>
---	---

Ref. No.	Part No.	Description	Remarks
	1-658-213-11	FP-355 FLEXIBLE BOARD ***** (Ref.No.:20000 Series)	
		< DIODE >	
D001	8-719-988-42	DIODE GL453	
A-7073-869-A	MA-354(I) BOARD, COMPLETE (TRV103/TRV110/TRV110E/TRV110P) ***** (Ref.No.:7000 Series)		
A-7073-920-A	MA-357(I) BOARD, COMPLETE (TR7000/TR7000E/TR7100E) ***** (Ref.No.:9000 Series)		
A-7073-925-A	MA-355(I) BOARD, COMPLETE (TRV203/TRV210/TRV210E/TRV310/TRV310E/TRV310P/TRV315) ***** (Ref.No.:8000 Series)		
		< CAPACITOR >	
C300	1-162-964-11	CERAMIC CHIP 0.001uF 10% 50V	
C301	1-162-964-11	CERAMIC CHIP 0.001uF 10% 50V	
C302	1-162-964-11	CERAMIC CHIP 0.001uF 10% 50V	
C303	1-162-964-11	CERAMIC CHIP 0.001uF 10% 50V	
C304	1-162-960-11	CERAMIC CHIP 220PF 10% 50V	
C305	1-107-826-91	CERAMIC CHIP 0.1uF 10% 16V	
C306	1-162-970-11	CERAMIC CHIP 0.01uF 10% 25V	
C307	1-162-927-11	CERAMIC CHIP 100PF 5% 50V	
C308	1-162-927-11	CERAMIC CHIP 100PF 5% 50V	
C309	1-135-259-11	TANTAL. CHIP 10uF 20% 6.3V	
C310	1-135-259-11	TANTAL. CHIP 10uF 20% 6.3V	
C311	1-164-227-11	CERAMIC CHIP 0.022uF 10% 25V	
C312	1-164-227-11	CERAMIC CHIP 0.022uF 10% 25V	
C313	1-164-227-11	CERAMIC CHIP 0.022uF 10% 25V	
C314	1-162-970-11	CERAMIC CHIP 0.01uF 10% 25V	
C315	1-162-970-11	CERAMIC CHIP 0.01uF 10% 25V	
C316	1-162-964-11	CERAMIC CHIP 0.001uF 10% 50V	
C317	1-162-964-11	CERAMIC CHIP 0.001uF 10% 50V	
C318	1-164-227-11	CERAMIC CHIP 0.022uF 10% 25V	
C319	1-107-826-91	CERAMIC CHIP 0.1uF 10% 16V	
C320	1-107-826-91	CERAMIC CHIP 0.1uF 10% 16V	
C321	1-162-927-11	CERAMIC CHIP 100PF 5% 50V	
C322	1-162-927-11	CERAMIC CHIP 100PF 5% 50V	
C323	1-165-176-11	CERAMIC CHIP 0.047uF 10% 16V	
C324	1-107-826-91	CERAMIC CHIP 0.1uF 10% 16V	
C325	1-107-826-91	CERAMIC CHIP 0.1uF 10% 16V	
C326	1-165-176-11	CERAMIC CHIP 0.047uF 10% 16V	
C327	1-164-227-11	CERAMIC CHIP 0.022uF 10% 25V	
C328	1-164-245-11	CERAMIC CHIP 0.015uF 10% 25V	
C329	1-164-172-11	CERAMIC CHIP 0.0056uF 10% 25V	
C330	1-164-227-11	CERAMIC CHIP 0.022uF 10% 25V	
C331	1-164-172-11	CERAMIC CHIP 0.0056uF 10% 25V	
C332	1-164-227-11	CERAMIC CHIP 0.022uF 10% 25V	
C343	1-115-156-11	CERAMIC CHIP 1uF 10V	
C344	1-115-156-11	CERAMIC CHIP 1uF 10V	
C345	1-164-156-11	CERAMIC CHIP 0.1uF 25V	
C346	1-165-128-11	CERAMIC CHIP 0.22uF 16V	
C347	1-135-259-11	TANTAL. CHIP 10uF 20% 6.3V	
C348	1-107-686-11	TANTAL. CHIP 4.7uF 20% 16V	
C349	1-107-826-91	CERAMIC CHIP 0.1uF 10% 16V	

Ref. No.	Part No.	Description	Remarks
C350	1-107-826-91	CERAMIC CHIP 0.1uF 10% 16V	
C351	1-135-259-11	TANTAL. CHIP 10uF 20% 6.3V	
		< CONNECTOR >	
CN300	1-774-635-21	CONNECTOR, FFC/FPC 10P	
CN301	1-778-283-11	CONNECTOR, FFC/FPC 4P	
CN302	1-695-320-21	PIN, CONNECTOR (1.5MM)(SMD) 2P	
CN303	1-695-320-21	PIN, CONNECTOR (1.5MM)(SMD) 2P	
CN304	1-779-335-21	CONNECTOR, FFC/FPC 22P	
		< DIODE >	
D300	8-719-073-03	DIODE MA8082-(K8).SO	
D301	8-719-073-03	DIODE MA8082-(K8).SO	
D302	8-719-073-01	DIODE MA111-(K8).SO	
D303	8-719-062-16	DIODE 01ZA8.2(TPL3)	
D304	8-719-062-16	DIODE 01ZA8.2(TPL3)	
D305	8-749-060-65	DIODE DCC3810	
D306	8-719-061-86	DIODE DCR2810	
D308	8-719-061-82	DIODE TLSU1002(TPX1,SONY)	
D309	8-719-073-01	DIODE MA111-(K8).SO	
		< FUSE >	
△F300	1-533-874-11	FUSE, MICRO (200mA/24V)	
		< IC >	
IC300	8-759-494-54	IC AN2900FH-EB	
IC301	8-749-012-83	IC RS-180-T	
		< COIL >	
L300	1-414-757-11	INDUCTOR 100uH	
L301	1-414-757-11	INDUCTOR 100uH	
L302	1-414-754-11	INDUCTOR 10uH	
		< TRANSISTOR >	
Q302	8-729-140-75	TRANSISTOR 2SD999-T1-CLCK	
Q303	8-729-420-50	TRANSISTOR UN5215-(TX)	
		< RESISTOR >	
R300	1-414-228-11	INDUCTOR CHIP 0UH	
R301	1-414-228-11	INDUCTOR CHIP 0UH (Note)	
R302	1-414-228-11	INDUCTOR CHIP 0UH (Note)	
R303	1-216-835-11	METAL CHIP 15K 5% 1/16W	
R304	1-216-839-11	METAL CHIP 33K 5% 1/16W	
R305	1-216-836-11	METAL CHIP 18K 5% 1/16W	
R306	1-216-835-11	METAL CHIP 15K 5% 1/16W	
R307	1-216-825-11	METAL CHIP 2.2K 5% 1/16W	
R308	1-216-825-11	METAL CHIP 2.2K 5% 1/16W	
R309	1-216-831-11	METAL CHIP 6.8K 5% 1/16W	
R310	1-216-831-11	METAL CHIP 6.8K 5% 1/16W	
R311	1-216-821-11	METAL CHIP 1K 5% 1/16W	
R312	1-216-821-11	METAL CHIP 1K 5% 1/16W	
R313	1-216-831-11	METAL CHIP 6.8K 5% 1/16W	
R314	1-216-829-11	METAL CHIP 4.7K 5% 1/16W	

Note : Inductors are mounted to the location where R301, R302 are printed.

Note :
The components identified by mark △ or dotted line with mark △ are critical for safety.
Replace only with part number specified.

Note :
Les composants identifiés par une marque △ sont critiques pour la sécurité.
Ne les remplacer que par une pièce portant le numéro spécifié.

Ref. No.	Part No.	Description	Remarks
R315	1-216-833-11	METAL CHIP 10K 5%	1/16W
R316	1-216-831-11	METAL CHIP 6.8K 5%	1/16W
R317	1-216-832-11	METAL CHIP 8.2K 5%	1/16W
R318	1-414-228-11	INDUCTOR CHIP OUH (Note)	
R319	1-216-829-11	METAL CHIP 4.7K 5%	1/16W
R320	1-216-833-11	METAL CHIP 10K 5%	1/16W
R321	1-216-839-11	METAL CHIP 33K 5%	1/16W
R322	1-414-228-11	INDUCTOR CHIP OUH (Note)	
R323	1-216-832-11	METAL CHIP 8.2K 5%	1/16W
R324	1-216-839-11	METAL CHIP 33K 5%	1/16W
R325	1-216-839-11	METAL CHIP 33K 5%	1/16W
R326	1-414-228-11	INDUCTOR CHIP OUH (Note)	
R327	1-414-228-11	INDUCTOR CHIP OUH (Note)	
R331	1-216-830-11	METAL CHIP 5.6K 5%	1/16W
R332	1-216-836-11	METAL CHIP 18K 5%	1/16W
R333	1-216-839-11	METAL CHIP 33K 5%	1/16W
R334	1-216-839-11	METAL CHIP 33K 5%	1/16W
R335	1-216-864-11	METAL CHIP 0 5%	1/16W
R336	1-216-864-11	METAL CHIP 0 5%	1/16W
R338	1-216-311-00	METAL CHIP 6.8 5%	1/10W
R339	1-216-302-00	METAL CHIP 2.7 5%	1/10W
R340	1-216-824-11	METAL CHIP 1.8K 5%	1/16W
R341	1-216-864-11	METAL CHIP 0 5%	1/16W

EXCEPT:TR7000/TR7000E/TR7100E MODEL

- A-7073-871-A PD-105(SHN) BOARD, COMPLETE
(TRV103/TRV110/TRV110E:E,HK,AUS,CN,JE/TRV110P)

- A-7073-927-A PD-106(SH) BOARD, COMPLETE
(TRV203/TRV210/TRV210E/TRV315)

- A-7073-942-A PD-105(SHP) BOARD, COMPLETE
(TRV110E:AEP,UK,EE,NE,RU)

- A-7073-957-A PD-106(CAN) BOARD, COMPLETE
(TRV310/TRV310P)

- A-7073-975-A PD-106(SHP) BOARD, COMPLETE (TRV310E)

(Ref.No.:1000 Series)

< CAPACITOR >

C5501	1-107-826-91	CERAMIC CHIP 0.1uF 10%	16V
C5502	1-107-826-91	CERAMIC CHIP 0.1uF 10%	16V
C5503	1-162-970-11	CERAMIC CHIP 0.01uF 10%	25V
C5504	1-162-970-11	CERAMIC CHIP 0.01uF 10%	25V
C5505	1-162-970-11	CERAMIC CHIP 0.01uF 10%	25V
C5506	1-164-004-11	CERAMIC CHIP 0.1uF 10%	25V
C5507	1-104-851-11	TANTAL. CHIP 10uF 20%	10V
C5508	1-107-826-91	CERAMIC CHIP 0.1uF 10%	16V
C5509	1-135-180-21	TANTALUM CHIP 3.3uF 20%	6.3V
C5511	1-109-982-11	CERAMIC CHIP 1uF 10%	10V
C5512	1-104-851-11	TANTAL. CHIP 10uF 20%	10V
C5513	1-107-826-91	CERAMIC CHIP 0.1uF 10%	16V
C5514	1-115-339-11	CERAMIC CHIP 0.1uF 10%	50V
C5515	1-115-339-11	CERAMIC CHIP 0.1uF 10%	50V
C5516	1-115-339-11	CERAMIC CHIP 0.1uF 10%	50V

Note : Inductors are mounted to the location where R318, R322, R326, R327 are printed.

Ref. No.	Part No.	Description	Remarks
C5517	1-107-826-91	CERAMIC CHIP 0.1uF 10%	16V
C5518	1-109-982-11	CERAMIC CHIP 1uF 10%	10V
C5519	1-104-851-11	TANTAL. CHIP 10uF 20%	10V
C5520	1-107-826-91	CERAMIC CHIP 0.1uF 10%	16V
C5602	1-107-687-11	TANTAL. CHIP 3.3uF 20%	20V
C5603	1-110-501-11	CERAMIC CHIP 0.33uF 10%	16V (TRV310/TRV310P)
C5603	1-164-004-11	CERAMIC CHIP 0.1uF 10%	25V (TRV103/TRV110/TRV110E/TRV110P/TRV203/ TRV210/TRV210E/TRV310E/TRV315)
C5604	1-107-826-91	CERAMIC CHIP 0.1uF 10%	16V
C5605	1-107-826-91	CERAMIC CHIP 0.1uF 10%	16V
C5607	1-164-004-11	CERAMIC CHIP 0.1uF 10%	25V
C5608	1-164-357-11	CERAMIC CHIP 1000PF 5%	50V
C5610	1-162-926-11	CERAMIC CHIP 82PF 5%	50V
C5612	1-162-926-11	CERAMIC CHIP 82PF 5%	50V
C5616	1-109-982-11	CERAMIC CHIP 1uF 10%	10V
C5618	1-113-994-11	TANTAL. CHIP 6.8uF 20%	16V (TRV103/TRV110/TRV110E/TRV110P/TRV203/ TRV210/TRV210E/TRV310E/TRV315)
C5619	1-162-970-11	CERAMIC CHIP 0.01uF 10%	25V (TRV103/TRV110/TRV110E/TRV110P/TRV203/ TRV210/TRV210E/TRV310E/TRV315)
C5620	1-107-826-91	CERAMIC CHIP 0.1uF 10%	16V
C5621	1-135-177-21	TANTALUM CHIP 1uF 20%	20V
C5622	1-107-682-11	CERAMIC CHIP 1uF 10%	16V
C5623	1-107-826-91	CERAMIC CHIP 0.1uF 10%	16V (TRV310/TRV310P)
C5624	1-107-688-11	TANTAL. CHIP 1.5uF 20%	10V
C5625	1-107-688-11	TANTAL. CHIP 1.5uF 20%	10V
C5633	1-162-967-11	CERAMIC CHIP 0.0033uF 10%	50V
C5701	1-113-682-11	TANTAL. CHIP 33uF 20%	10V
C5702	1-164-346-11	CERAMIC CHIP 1uF 10%	16V
C5703	1-164-661-11	CERAMIC CHIP 0.018uF 10%	50V
C5704	1-164-004-11	CERAMIC CHIP 0.1uF 10%	25V
△C5705	1-113-520-11	CERAMIC CHIP 10PF 10%	3KV (TRV203/TRV210/TRV210E/TRV315)
△C5705	1-113-521-11	CERAMIC CHIP 12PF 10%	3KV (TRV103/TRV110/TRV110E/TRV110P/TRV310/TRV310E/TRV310P)
C5706	1-162-970-11	CERAMIC CHIP 0.01uF 10%	25V
C5801	1-107-826-91	CERAMIC CHIP 0.1uF 10%	16V (TRV103/TRV110/TRV110E/TRV110P)
C5900	1-107-826-91	CERAMIC CHIP 0.1uF 10%	16V (TRV203/TRV210/TRV210E/TRV310/TRV310E/TRV310P/TRV315)

< CONNECTOR >

- * CN5501 1-573-984-11 CONNECTOR, BOARD TO BOARD 10P
- CN5601 1-691-362-11 CONNECTOR, FFC/FPC (ZIF) 24P
- CN5701 1-764-709-11 CONNECTOR, FFC/FPC (LIF) 10P
- CN5801 1-764-532-21 CONNECTOR, FFC/FPC (ZIF) 26P
(TRV103/TRV110/TRV110E/TRV110P)
- CN5802 1-785-627-21 PIN, CONNECTOR (PC BOARD) 10P
(TRV103/TRV110/TRV110E/TRV110P)

Note :

The components identified by mark △ or dotted line with mark △ are critical for safety. Replace only with part number specified.

Note :

Les composants identifiés par une marque △ sont critiques pour la sécurité. Ne les remplacer que par une pièce portant le numéro spécifié.

Ref. No.	Part No.	Description	Remarks
CN5803	1-778-508-21	PIN, CONNECTOR (PC BOARD) 6P (TRV103/TRV110/TRV110E/TRV110P)	
CN5804	1-778-509-21	PIN, CONNECTOR (PC BOARD) 11P (TRV103/TRV110/TRV110E/TRV110P)	
CN5805	1-691-344-11	CONNECTOR, FFC/FPC (ZIF) 6P (TRV103/TRV110/TRV110E/TRV110P)	
CN5900	1-785-627-21	PIN, CONNECTOR (PC BOARD) 10P (TRV203/TRV210/TRV210E/TRV310/TRV310E/TRV310P/TRV315)	
CN5901	1-778-508-21	PIN, CONNECTOR (PC BOARD) 6P (TRV203/TRV210/TRV210E/TRV310/TRV310E/TRV310P/TRV315)	
CN5902	1-778-509-21	PIN, CONNECTOR (PC BOARD) 11P (TRV203/TRV210/TRV210E/TRV310/TRV310E/TRV310P/TRV315)	
CN5904	1-766-336-21	CONNECTOR, FFC/FPC 6P (TRV203/TRV210/TRV210E/TRV310/TRV310E/TRV310P/TRV315)	
CN5905	1-764-532-21	CONNECTOR, FFC/FPC (ZIF) 26P (TRV203/TRV210/TRV210E/TRV310/TRV310E/TRV310P/TRV315)	
< DIODE >			
D5604	8-719-422-23	DIODE MA8047 (TRV310/TRV310P)	
D5604	8-719-976-96	DIODE DTZ4.7C (EXCEPT:TRV310/TRV310P)	
D5605	8-713-102-80	DIODE 1T369-01-T8A	
D5703	8-719-058-86	DIODE PG1101H-TR (TRV103/TRV110/TRV110E/TRV110P)	
△D5704	8-719-073-01	DIODE MA111-(K8).S0	
< IC >			
IC5501	8-759-364-05	IC M62376GP-65AD	
IC5502	8-759-539-27	IC IR3Y37A4	
IC5601	8-759-491-14	IC LZ9GH174 (TRV310E)	
IC5601	8-759-491-15	IC LZ9GH164 (TRV203/TRV210/TRV210E/TRV315)	
IC5601	8-759-495-00	IC LZ9GH184 (TRV103/TRV110/TRV110E/TRV110P)	
IC5601	8-759-530-20	IC CM7017L3-T4 (TRV310/TRV310P)	
IC5602	8-759-327-01	IC NJM062V(TE2)	
IC5701	8-759-075-70	IC TA75S393F-TE85R	
IC5801	8-759-573-02	IC BU9735K-E2 (TRV103/TRV110/TRV110E/TRV110P)	
IC5900	8-759-573-02	IC BU9729K-E2 (TRV203/TRV210/TRV210E/TRV310/TRV310E/TRV310P/TRV315)	
< COIL >			
L5501	1-414-754-11	INDUCTOR 10uH	
L5502	1-414-754-11	INDUCTOR 10uH	
L5503	1-414-754-11	INDUCTOR 10uH	
L5601	1-414-754-11	INDUCTOR 10uH (TRV310/TRV310P)	
L5603	1-414-754-11	INDUCTOR 10uH	
L5604	1-414-754-11	INDUCTOR 10uH	
L5605	1-412-951-11	INDUCTOR 10uH (TRV310/TRV310E/TRV310P)	
L5605	1-412-953-11	INDUCTOR 15uH (TRV203/TRV210/TRV210E/TRV315)	
L5605	1-412-956-21	INDUCTOR 27uH (TRV103/TRV110/TRV110E:E,HK,AUS,CN,JE/TRV110P)	
L5605	1-412-952-11	INDUCTOR 12uH (TRV110E:AEP,UK,EE,NE,RU)	
L5701	1-409-536-41	INDUCTOR 150uH	

Ref. No.	Part No.	Description	Remarks
< TRANSISTOR >			
Q5501	8-729-037-53	TRANSISTOR 2SA1832F-Y/GR(TPL3)	
Q5601	8-729-042-29	TRANSISTOR RN1104F(TPL3)	
Q5602	8-729-042-29	TRANSISTOR RN1104F(TPL3)	
Q5605	8-729-037-52	TRANSISTOR 2SC4738F-Y/GR(TPL3)	
Q5606	8-729-037-53	TRANSISTOR 2SA1832F-Y/GR(TPL3)	
Q5607	8-729-037-52	TRANSISTOR 2SC4738F-Y/GR(TPL3)	
Q5608	8-729-037-53	TRANSISTOR 2SA1832F-Y/GR(TPL3)	
Q5701	8-729-039-43	TRANSISTOR FP216-TL	
Q5702	8-729-042-58	TRANSISTOR UN9111J-(K8).S0	
< RESISTOR >			
R5501	1-216-840-11	METAL CHIP 39K 5% 1/16W	
R5505	1-216-841-11	METAL CHIP 47K 5% 1/16W	
R5508	1-218-883-11	RES,CHIP 33K 0.50% 1/16W (EXCEPT:TRV310/TRV310P)	
R5508	1-218-885-11	RES,CHIP 39K 0.50% 1/16W (TRV310/TRV310P)	
R5509	1-218-875-11	RES,CHIP 15K 0.50% 1/16W	
R5512	1-216-837-11	METAL CHIP 22K 5% 1/16W	
R5513	1-216-834-11	METAL CHIP 12K 5% 1/16W	
R5516	1-216-837-11	METAL CHIP 22K 5% 1/16W	
R5517	1-216-835-11	METAL CHIP 15K 5% 1/16W	
R5518	1-216-839-11	METAL CHIP 33K 5% 1/16W	
R5520	1-216-850-11	METAL CHIP 270K 5% 1/16W	
R5521	1-216-834-11	METAL CHIP 12K 5% 1/16W	
R5522	1-216-840-11	METAL CHIP 39K 5% 1/16W (EXCEPT:TRV310/TRV310P)	
R5522	1-216-843-11	METAL CHIP 68K 5% 1/16W (TRV310/TRV310P)	
R5528	1-218-895-11	RES,CHIP 100K 0.50% 1/16W	
R5531	1-216-821-11	METAL CHIP 1K 5% 1/16W	
R5532	1-216-841-11	METAL CHIP 47K 5% 1/16W	
R5537	1-216-821-11	METAL CHIP 1K 5% 1/16W (TRV103/TRV110/TRV110E:E,HK,AUS,CN,JE/TRV110P)	
R5537	1-216-825-11	METAL CHIP 2.2K 5% 1/16W (TRV110E:AEP,UK,EE,NE,RU)	
R5537	1-216-829-11	METAL CHIP 4.7K 5% 1/16W (TRV203/TRV210/TRV210E/TRV315)	
R5537	1-216-830-11	METAL CHIP 5.6K 5% 1/16W (TRV310E)	
R5537	1-216-831-11	METAL CHIP 6.8K 5% 1/16W (TRV310/TRV310P)	
R5541	1-216-825-11	METAL CHIP 2.2K 5% 1/16W	
R5542	1-216-823-11	METAL CHIP 1.5K 5% 1/16W	
R5544	1-216-821-11	METAL CHIP 1K 5% 1/16W	
R5602	1-216-864-11	METAL CHIP 0 5% 1/16W (TRV310/TRV310P)	
R5603	1-216-864-11	METAL CHIP 0 5% 1/16W	
R5604	1-216-864-11	METAL CHIP 0 5% 1/16W	
R5606	1-216-864-11	METAL CHIP 0 5% 1/16W (TRV310/TRV310P)	
R5607	1-216-864-11	METAL CHIP 0 5% 1/16W (EXCEPT:TRV310/TRV310P)	

Note :
 The components identified by mark △ or dotted line with mark △ are critical for safety. Replace only with part number specified.

Note :
 Les composants identifiés par une marque △ sont critiques pour la sécurité. Ne les remplacer que par une pièce portant le numéro spécifié.

Ref. No.	Part No.	Description	Remarks	Ref. No.	Part No.	Description	Remarks
R5608	1-216-864-11	METAL CHIP	0 5% 1/16W (EXCEPT:TRV310/TRV310P)	R5651	1-218-883-11	RES,CHIP	33K 0.50% 1/16W (EXCEPT:TRV310/TRV310P)
R5610	1-216-842-11	METAL CHIP	56K 5% 1/16W (TRV310/TRV310P)	R5652	1-216-864-11	METAL CHIP	0 5% 1/16W (TRV310/TRV310P)
R5610	1-216-845-11	METAL CHIP	100K 5% 1/16W (EXCEPT:TRV310/TRV310P)	R5652	1-218-879-11	RES,CHIP	22K 0.50% 1/16W (EXCEPT:TRV310/TRV310P)
R5612	1-216-833-11	METAL CHIP	10K 5% 1/16W	R5653	1-218-883-11	RES,CHIP	33K 0.50% 1/16W (EXCEPT:TRV310/TRV310P)
R5613	1-216-841-11	METAL CHIP	47K 5% 1/16W	R5654	1-218-879-11	RES,CHIP	22K 0.50% 1/16W (EXCEPT:TRV310/TRV310P)
R5615	1-216-844-11	METAL CHIP	82K 5% 1/16W (TRV310/TRV310P)	R5657	1-216-864-11	METAL CHIP	0 5% 1/16W (EXCEPT:TRV310/TRV310P)
R5615	1-216-846-11	METAL CHIP	120K 5% 1/16W (TRV203/TRV210/TRV210E/TRV315)	R5658	1-216-864-11	METAL CHIP	0 5% 1/16W (EXCEPT:TRV310/TRV310P)
R5615	1-216-847-11	METAL CHIP	150K 5% 1/16W (TRV103/TRV110/TRV110E:E,HK,AUS,CN,JE/TRV110P)	R5659	1-216-864-11	METAL CHIP	0 5% 1/16W (EXCEPT:TRV310/TRV310P)
R5615	1-216-848-11	METAL CHIP	180K 5% 1/16W (TRV110E:AEP,UK,EE,NE,RU/TRV310E)	R5660	1-216-864-11	METAL CHIP	0 5% 1/16W (EXCEPT:TRV310/TRV310P)
R5617	1-216-833-11	METAL CHIP	10K 5% 1/16W	R5661	1-216-864-11	METAL CHIP	0 5% 1/16W (EXCEPT:TRV310/TRV310P)
R5621	1-216-857-11	METAL CHIP	1M 5% 1/16W (EXCEPT:TRV310/TRV310P)	R5663	1-216-864-11	METAL CHIP	0 5% 1/16W (TRV310/TRV310P)
R5622	1-216-844-11	METAL CHIP	82K 5% 1/16W (TRV310/TRV310P)	R5664	1-216-864-11	METAL CHIP	0 5% 1/16W (TRV310/TRV310P)
R5622	1-216-845-11	METAL CHIP	100K 5% 1/16W (EXCEPT:TRV310/TRV310P)	R5665	1-216-864-11	METAL CHIP	0 5% 1/16W (TRV310/TRV310P)
R5623	1-216-845-11	METAL CHIP	100K 5% 1/16W	R5666	1-216-864-11	METAL CHIP	0 5% 1/16W (TRV310/TRV310P)
R5624	1-216-841-11	METAL CHIP	47K 5% 1/16W	R5667	1-216-864-11	METAL CHIP	0 5% 1/16W (TRV310/TRV310P)
R5625	1-218-889-11	RES,CHIP	56K 0.50% 1/16W (TRV310/TRV310P)	R5668	1-216-864-11	METAL CHIP	0 5% 1/16W (TRV310/TRV310P)
R5625	1-218-891-11	RES,CHIP	68K 0.50% 1/16W (TRV203/TRV210/TRV210E/TRV310E/TRV315)	R5669	1-216-864-11	METAL CHIP	0 5% 1/16W (EXCEPT:TRV310/TRV310P)
R5625	1-218-897-11	RES,CHIP	120K 0.50% 1/16W (TRV103/TRV110/TRV110E:E,HK,AUS,CN,JE/TRV110P)	R5670	1-216-864-11	METAL CHIP	0 5% 1/16W (EXCEPT:TRV310/TRV310P)
R5625	1-218-895-11	RES,CHIP	100K 0.50% 1/16W (TRV110E:AEP,UK,EE,NE,RU)	R5671	1-216-864-11	METAL CHIP	0 5% 1/16W (EXCEPT:TRV310/TRV310P)
R5627	1-218-893-11	RES,CHIP	82K 0.50% 1/16W (TRV203/TRV210/TRV210E/TRV310/TRV310P/TRV315)	R5672	1-216-836-11	METAL CHIP	18K 5% 1/16W (TRV310/TRV310P)
R5627	1-218-897-11	RES,CHIP	120K 0.50% 1/16W (TRV103/TRV110/TRV110E:E,HK,AUS,CN,JE/TRV110P)	R5673	1-216-864-11	METAL CHIP	0 5% 1/16W (TRV310/TRV310P)
R5627	1-218-901-11	RES,CHIP	180K 0.50% 1/16W (TRV110E:AEP,UK,EE,NE,RU)	R5674	1-216-864-11	METAL CHIP	0 5% 1/16W (EXCEPT:TRV310/TRV310P)
R5627	1-218-903-11	RES,CHIP	220K 0.50% 1/16W (TRV310E)	R5676	1-216-864-11	METAL CHIP	0 5% 1/16W (EXCEPT:TRV310/TRV310P)
R5628	1-216-864-11	METAL CHIP	0 5% 1/16W	R5678	1-216-864-11	METAL CHIP	0 5% 1/16W (TRV310/TRV310P)
R5630	1-216-821-11	METAL CHIP	1K 5% 1/16W	R5679	1-216-805-11	METAL CHIP	47 5% 1/16W (EXCEPT:TRV310/TRV310P)
R5632	1-216-864-11	METAL CHIP	0 5% 1/16W (EXCEPT:TRV110E:AEP,UK,EE,NE,RU/TRV310E)	R5680	1-216-805-11	METAL CHIP	47 5% 1/16W (EXCEPT:TRV310/TRV310P)
R5637	1-216-864-11	METAL CHIP	0 5% 1/16W (EXCEPT:TRV310/TRV310P)	R5681	1-216-805-11	METAL CHIP	47 5% 1/16W (EXCEPT:TRV310/TRV310P)
R5640	1-218-895-11	RES,CHIP	100K 0.50% 1/16W	R5682	1-216-805-11	METAL CHIP	47 5% 1/16W (TRV310/TRV310P)
R5641	1-218-883-11	RES,CHIP	33K 0.50% 1/16W	R5683	1-216-805-11	METAL CHIP	47 5% 1/16W (TRV310/TRV310P)
R5643	1-216-841-11	METAL CHIP	47K 5% 1/16W (TRV310/TRV310P)	R5684	1-216-805-11	METAL CHIP	47 5% 1/16W (TRV310/TRV310P)
R5643	1-216-842-11	METAL CHIP	56K 5% 1/16W (TRV203/TRV210/TRV210E/TRV310E/TRV315)				
R5643	1-216-845-11	METAL CHIP	100K 5% 1/16W (TRV103/TRV110/TRV110E/TRV110P)				
R5644	1-216-839-11	METAL CHIP	33K 5% 1/16W				
R5647	1-216-864-11	METAL CHIP	0 5% 1/16W (TRV310/TRV310P)				
R5648	1-216-864-11	METAL CHIP	0 5% 1/16W (TRV310/TRV310P)				

Ref. No.	Part No.	Description	Remarks
R5685	1-216-841-11	METAL CHIP 47K 5% 1/16W (EXCEPT:TRV310/TRV310P)	
R5685	1-216-842-11	METAL CHIP 56K 5% 1/16W (TRV310/TRV310P)	
R5686	1-216-841-11	METAL CHIP 47K 5% 1/16W (EXCEPT:TRV310/TRV310P)	
R5686	1-216-842-11	METAL CHIP 56K 5% 1/16W (TRV310/TRV310P)	
R5688	1-216-864-11	METAL CHIP 0 5% 1/16W	
R5692	1-216-851-11	METAL CHIP 330K 5% 1/16W (EXCEPT:TRV110E:AEP,UK,EE,NE,RU)	
R5692	1-216-854-11	METAL CHIP 560K 5% 1/16W (TRV110E:AEP,UK,EE,NE,RU)	
R5694	1-216-833-11	METAL CHIP 10K 5% 1/16W (TRV203/TRV210/TRV210E/TRV310/TRV310E/TRV310P/TRV315)	
R5694	1-216-839-11	METAL CHIP 33K 5% 1/16W (TRV103/TRV110/TRV110E/TRV110P)	
R5695	1-216-833-11	METAL CHIP 10K 5% 1/16W	
R5696	1-216-864-11	METAL CHIP 0 5% 1/16W (EXCEPT:TRV310/TRV310P)	
R5697	1-216-864-11	METAL CHIP 0 5% 1/16W (TRV310/TRV310P)	
R5698	1-216-864-11	METAL CHIP 0 5% 1/16W (TRV310/TRV310P)	
R5703	1-216-055-00	METAL CHIP 1.8K 5% 1/10W	
R5704	1-216-055-00	METAL CHIP 1.8K 5% 1/10W	
R5705	1-216-845-11	METAL CHIP 100K 5% 1/16W	
R5706	1-216-831-11	METAL CHIP 6.8K 5% 1/16W	
R5707	1-216-837-11	METAL CHIP 22K 5% 1/16W	
R5708	1-216-810-11	METAL CHIP 120 5% 1/16W	
R5709	1-216-817-11	METAL CHIP 470 5% 1/16W	
R5710	1-216-816-11	METAL CHIP 390 5% 1/16W (TRV203/TRV210/TRV210E/TRV310/TRV310E/TRV310P/TRV315)	
R5710	1-216-864-11	METAL CHIP 0 5% 1/16W (TRV103/TRV110/TRV110E/TRV110P)	
R5801	1-216-823-11	METAL CHIP 1.5K 5% 1/16W (TRV103/TRV110/TRV110E/TRV110P)	
R5802	1-216-825-11	METAL CHIP 2.2K 5% 1/16W (TRV103/TRV110/TRV110E/TRV110P)	
R5803	1-216-828-11	METAL CHIP 3.9K 5% 1/16W (TRV103/TRV110/TRV110E/TRV110P)	
R5804	1-216-832-11	METAL CHIP 8.2K 5% 1/16W (TRV103/TRV110/TRV110E/TRV110P)	
R5805	1-216-838-11	METAL CHIP 27K 5% 1/16W (TRV103/TRV110/TRV110E/TRV110P)	
R5806	1-216-822-11	METAL CHIP 1.2K 5% 1/16W (TRV103/TRV110/TRV110E/TRV110P)	
R5807	1-216-864-11	METAL CHIP 0 5% 1/16W (TRV103/TRV110/TRV110E/TRV110P)	
R5808	1-216-864-11	METAL CHIP 0 5% 1/16W (TRV103/TRV110/TRV110E/TRV110P)	
R5811	1-216-864-11	METAL CHIP 0 5% 1/16W (TRV103/TRV110/TRV110E/TRV110P)	
R5812	1-216-855-11	METAL CHIP 680K 5% 1/16W (TRV103/TRV110/TRV110E/TRV110P)	
R5900	1-216-822-11	METAL CHIP 1.2K 5% 1/16W (TRV203/TRV210/TRV210E/TRV310/TRV310E/TRV310P/TRV315)	
R5901	1-216-823-11	METAL CHIP 1.5K 5% 1/16W (TRV203/TRV210/TRV210E/TRV310/TRV310E/TRV310P/TRV315)	
R5902	1-216-825-11	METAL CHIP 2.2K 5% 1/16W (TRV203/TRV210/TRV210E/TRV310/TRV310E/TRV310P/TRV315)	

Ref. No.	Part No.	Description	Remarks
R5903	1-216-828-11	METAL CHIP 3.9K 5% 1/16W (TRV203/TRV210/TRV210E/TRV310/TRV310E/TRV310P/TRV315)	
R5904	1-216-832-11	METAL CHIP 8.2K 5% 1/16W (TRV203/TRV210/TRV210E/TRV310/TRV310E/TRV310P/TRV315)	
R5905	1-216-838-11	METAL CHIP 27K 5% 1/16W (TRV203/TRV210/TRV210E/TRV310/TRV310E/TRV310P/TRV315)	
R5906	1-216-855-11	METAL CHIP 680K 5% 1/16W (TRV203/TRV210/TRV210E/TRV310/TRV310E/TRV310P/TRV315)	
R5907	1-216-864-11	METAL CHIP 0 5% 1/16W (TRV203/TRV210/TRV210E/TRV310/TRV310E/TRV310P/TRV315)	
R5909	1-216-864-11	METAL CHIP 0 5% 1/16W (TRV203/TRV210/TRV210E/TRV310/TRV310E/TRV310P/TRV315)	
R5911	1-216-864-11	METAL CHIP 0 5% 1/16W (TRV203/TRV210/TRV210E/TRV310/TRV310E/TRV310P/TRV315)	
< SWITCH >			
S5801	1-692-088-41	SWITCH, TACTILE (LCD BRIGHT (+)) (TRV103/TRV110/TRV110E/TRV110P)	
S5802	1-692-088-41	SWITCH, TACTILE (LCD BRIGHT (-)) (TRV103/TRV110/TRV110E/TRV110P)	
S5803	1-692-088-41	SWITCH, TACTILE (VOLUME (+)) (TRV103/TRV110/TRV110E/TRV110P)	
S5804	1-692-088-41	SWITCH, TACTILE (VOLUME (-)) (TRV103/TRV110/TRV110E/TRV110P)	
S5900	1-692-088-41	SWITCH, TACTILE (LCD BRIGHT (+)) (TRV203/TRV210/TRV210E/TRV310/TRV310E/TRV310P/TRV315)	
S5901	1-692-088-41	SWITCH, TACTILE (LCD BRIGHT (-)) (TRV203/TRV210/TRV210E/TRV310/TRV310E/TRV310P/TRV315)	
S5902	1-692-088-41	SWITCH, TACTILE (VOLUME (+)) (TRV203/TRV210/TRV210E/TRV310/TRV310E/TRV310P/TRV315)	
S5903	1-692-088-41	SWITCH, TACTILE (VOLUME (-)) (TRV203/TRV210/TRV210E/TRV310/TRV310E/TRV310P/TRV315)	
< TRANSFORMER >			
△ T5701	1-431-753-11	TRANSFORMER, INVERTER (TRV203/TRV210/TRV210E/TRV310/TRV310E/TRV310P/TRV315)	
△ T5701	1-433-452-11	TRANSFORMER, INVERTER (TRV103/TRV110/TRV110E/TRV110P)	

- A-7073-868-A PJ-95 BOARD, COMPLETE
(TRV103/TRV110/TRV110E:E,HK,AUS,CN,JE/TRV110P)

- A-7073-919-A PJ-98 BOARD, COMPLETE (TR7000)

- A-7073-924-A PJ-96 BOARD, COMPLETE
(TRV203/TRV210/TRV210E:CN/TRV310/
TRV310E:E,HK,AUS,CN,JE/TRV310P/TRV315)

- A-7073-941-A PJ-95(IM) BOARD, COMPLETE
(TRV110E:AEP,UK,EE,NE,RU)

(Ref.No.:7000 Series)
- A-7073-954-A PJ-96(IM) BOARD, COMPLETE
(TRV210E:AEP,UK/TRV310E:AEP,UK)

(Ref.No.:8000 Series)
- A-7073-976-A PJ-98(IM) BOARD, COMPLETE
(TR7000E/TR7100E)

(Ref.No.:9000 Series)

Note :
The components identified by mark △ or dotted line with mark △ are critical for safety. Replace only with part number specified.

Note :
Les composants identifiés par une marque △ sont critiques pour la sécurité. Ne les remplacer que par une pièce portant le numéro spécifié.

Ref. No.	Part No.	Description	Remarks
		< CAPACITOR >	
C101	1-110-569-11	TANTAL. CHIP 47uF 20% 6.3V	
C103	1-162-964-11	CERAMIC CHIP 0.001uF 10% 50V (TRV110E:AEP,UK,EE,NE,RU/TRV210E:AEP,UK/ TRV310E:AEP,UK/TR7000E/TR7100E)	
C104	1-162-964-11	CERAMIC CHIP 0.001uF 10% 50V (TRV110E:AEP,UK,EE,NE,RU/TRV210E:AEP,UK/ TRV310E:AEP,UK/TR7000E/TR7100E)	
C105	1-162-964-11	CERAMIC CHIP 0.001uF 10% 50V (TRV110E:AEP,UK,EE,NE,RU/TRV210E:AEP,UK/ TRV310E:AEP,UK/TR7000E/TR7100E)	
C106	1-162-964-11	CERAMIC CHIP 0.001uF 10% 50V (TRV110E:AEP,UK,EE,NE,RU/TRV210E:AEP,UK/ TRV310E:AEP,UK/TR7000E/TR7100E)	
C107	1-162-964-11	CERAMIC CHIP 0.001uF 10% 50V (TRV110E:AEP,UK,EE,NE,RU/TRV210E:AEP,UK/ TRV310E:AEP,UK/TR7000E/TR7100E)	
C108	1-162-964-11	CERAMIC CHIP 0.001uF 10% 50V (TRV110E:AEP,UK,EE,NE,RU/TRV210E:AEP,UK/ TRV310E:AEP,UK/TR7000E/TR7100E)	
C112	1-162-964-11	CERAMIC CHIP 0.001uF 10% 50V (TRV110E:AEP,UK,EE,NE,RU/TRV210E:AEP,UK/ TRV310E:AEP,UK/TR7000E/TR7100E)	
C113	1-162-964-11	CERAMIC CHIP 0.001uF 10% 50V (TRV110E:AEP,UK,EE,NE,RU/TRV210E:AEP,UK/ TRV310E:AEP,UK/TR7000E/TR7100E)	
		< CONNECTOR >	
CN101	1-785-685-21	CONNECTOR, FFC/FPC (ZIF) 14P	
		< DIODE >	
D101	8-719-062-16	DIODE 01ZA8.2(TPL3)	
D102	8-719-062-16	DIODE 01ZA8.2(TPL3)	
D103	8-719-062-16	DIODE 01ZA8.2(TPL3)	
D104	8-719-073-03	DIODE MA8082-(K8).SO	
D105	8-719-062-16	DIODE 01ZA8.2(TPL3)	
D106	8-719-062-16	DIODE 01ZA8.2(TPL3)	
		< JACK >	
J101	1-537-747-21	TERMINAL BOARD (S VIDEO/VIDEO/AUDIO)	
		< COIL >	
L101	1-414-072-11	INDUCTOR 1uH	
L102	1-216-295-91	SHORT 0 (Note 1) (EXCEPT:TRV110E:AEP,UK,EE,NE,RU/TRV210E:AEP,UK/ TRV310E:AEP,UK/TR7000E/TR7100E)	
L102	1-412-963-11	INDUCTOR 100uH (TRV110E:AEP,UK,EE,NE,RU/TRV210E:AEP,UK/ TRV310E:AEP,UK/TR7000E/TR7100E)	
L103	1-216-295-91	SHORT 0 (Note 1) (EXCEPT:TRV110E:AEP,UK,EE,NE,RU/TRV210E:AEP,UK/ TRV310E:AEP,UK/TR7000E/TR7100E)	
L103	1-412-963-11	INDUCTOR 100uH (TRV110E:AEP,UK,EE,NE,RU/TRV210E:AEP,UK/ TRV310E:AEP,UK/TR7000E/TR7100E)	

Ref. No.	Part No.	Description	Remarks
L104	1-216-295-91	SHORT 0 (Note 1) (EXCEPT:TRV110E:AEP,UK,EE,NE,RU/TRV210E:AEP,UK/ TRV310E:AEP,UK/TR7000E/TR7100E)	
L104	1-412-963-11	INDUCTOR 100uH (TRV110E:AEP,UK,EE,NE,RU/TRV210E:AEP,UK/ TRV310E:AEP,UK/TR7000E/TR7100E)	
L105	1-216-295-91	SHORT 0 (Note 1) (EXCEPT:TRV110E:AEP,UK,EE,NE,RU/TRV210E:AEP,UK/ TRV310E:AEP,UK/TR7000E/TR7100E)	
L105	1-412-963-11	INDUCTOR 100uH (TRV110E:AEP,UK,EE,NE,RU/TRV210E:AEP,UK/ TRV310E:AEP,UK/TR7000E/TR7100E)	
		< TRANSISTOR >	
Q101	8-729-101-07	TRANSISTOR 2SB798-T1-DLDK	
Q102	8-729-230-63	TRANSISTOR 2SD1819A-QRS-TX	
		< RESISTOR >	
R101	1-500-283-11	INDUCTOR CHIP 0UH (Note 2)	
R102	1-216-138-00	METAL CHIP 3.3 5% 1/8W	
R103	1-216-830-11	METAL CHIP 5.6K 5% 1/16W	
R104	1-216-820-11	METAL CHIP 820 5% 1/16W	
R105	1-216-836-11	METAL CHIP 18K 5% 1/16W	
R106	1-500-283-11	INDUCTOR CHIP 0UH (Note 2)	
R107	1-500-283-11	INDUCTOR CHIP 0UH (Note 2)	
R108	1-216-821-11	METAL CHIP 1K 5% 1/16W	
R109	1-216-821-11	METAL CHIP 1K 5% 1/16W	
R110	1-500-283-11	INDUCTOR CHIP 0UH	
R111	1-414-228-11	INDUCTOR CHIP 0UH (Note 2)	
R112	1-414-228-11	INDUCTOR CHIP 0UH (Note 2)	
R113	1-414-228-11	INDUCTOR CHIP 0UH (Note 2)	
R114	1-414-228-11	INDUCTOR CHIP 0UH (Note 2)	
R115	1-414-228-11	INDUCTOR CHIP 0UH (Note 2)	
	A-7073-867-A	SE-86 BOARD, COMPLETE (TRV103/TRV110/TRV110E/TRV110P) ***** (Ref.No.:7000 Series)	
	A-7073-918-A	SE-89 BOARD, COMPLETE (TR7000/TR7000E/TR7100E) ***** (Ref.No.:9000 Series)	
	A-7073-923-A	SE-87 BOARD, COMPLETE (TRV203/TRV210/TRV210E/TRV310/TRV310E/TRV310P/TRV315) ***** (Ref.No.:8000 Series)	
		< CAPACITOR >	
C601	1-164-004-11	CERAMIC CHIP 0.1uF 10% 25V	
C602	1-164-004-11	CERAMIC CHIP 0.1uF 10% 25V	
C603	1-104-847-11	TANTAL. CHIP 22uF 20% 4V	
C604	1-104-847-11	TANTAL. CHIP 22uF 20% 4V	
C607	1-164-343-11	CERAMIC CHIP 0.056uF 10% 25V	
C608	1-164-343-11	CERAMIC CHIP 0.056uF 10% 25V	
C609	1-164-343-11	CERAMIC CHIP 0.056uF 10% 25V	
C610	1-110-666-11	ELECT CHIP 22uF 20% 6.3V	
C611	1-164-343-11	CERAMIC CHIP 0.056uF 10% 25V	
C612	1-110-666-11	ELECT CHIP 22uF 20% 6.3V	

Note 1: Resistors are mounted to the location where L102, L103, L104, L105 are printed.
 Note 2: Inductors are mounted to the location where R101, R106, R107, R111-115 are printed.

Ref. No.	Part No.	Description	Remarks	Ref. No.	Part No.	Description	Remarks
C614	1-110-501-11	CERAMIC CHIP	0.33uF 10% 16V	C112	1-164-943-11	CERAMIC CHIP	0.01uF 10% 16V
C616	1-135-259-11	TANTAL. CHIP	10uF 20% 6.3V	C113	1-135-259-11	TANTAL. CHIP	10uF 20% 6.3V
C617	1-162-970-11	CERAMIC CHIP	0.01uF 10% 25V	C115	1-164-943-11	CERAMIC CHIP	0.01uF 10% 16V
		< CONNECTOR >		C116	1-164-943-11	CERAMIC CHIP	0.01uF 10% 16V
CN601	1-691-350-21	CONNECTOR, FFC/FPC (ZIF) 12P		C117	1-164-943-11	CERAMIC CHIP	0.01uF 10% 16V
CN602	1-785-828-11	CONNECTOR, SQUARE TYPE 4P		C118	1-164-935-11	CERAMIC CHIP	470PF 10% 16V
		< IC >		C119	1-164-943-11	CERAMIC CHIP	0.01uF 10% 16V
IC601	8-759-489-19	IC uPC6756GR-8JG-E2		C120	1-164-866-11	CERAMIC CHIP	47PF 5% 16V
		< COIL >		C121	1-107-820-11	CERAMIC CHIP	0.1uF 10% 16V
L601	1-414-754-11	INDUCTOR	10uH	C122	1-164-677-11	CERAMIC CHIP	0.033uF 10% 16V
		< RESISTOR >		C123	1-164-882-11	CERAMIC CHIP	220PF 5% 16V
R601	1-216-837-11	METAL CHIP	22K 5% 1/16W	C124	1-164-882-11	CERAMIC CHIP	220PF 5% 16V
R602	1-216-837-11	METAL CHIP	22K 5% 1/16W	C125	1-164-935-11	CERAMIC CHIP	470PF 10% 16V
R603	1-216-837-11	METAL CHIP	22K 5% 1/16W	C126	1-135-259-11	TANTAL. CHIP	10uF 20% 6.3V
R604	1-216-837-11	METAL CHIP	22K 5% 1/16W	C127	1-164-943-11	CERAMIC CHIP	0.01uF 10% 16V
R605	1-216-864-11	METAL CHIP	0 5% 1/16W	C128	1-164-866-11	CERAMIC CHIP	47PF 5% 16V
R606	1-216-857-11	METAL CHIP	1M 5% 1/16W	C129	1-164-943-11	CERAMIC CHIP	0.01uF 10% 16V
R607	1-216-833-11	METAL CHIP	10K 5% 1/16W	C130	1-164-943-11	CERAMIC CHIP	0.01uF 10% 16V
R608	1-216-833-11	METAL CHIP	10K 5% 1/16W	C131	1-135-259-11	TANTAL. CHIP	10uF 20% 6.3V
R609	1-216-857-11	METAL CHIP	1M 5% 1/16W	C132	1-164-942-11	CERAMIC CHIP	0.0068uF 10% 16V
R611	1-216-835-11	METAL CHIP	15K 5% 1/16W	C133	1-164-942-11	CERAMIC CHIP	0.0068uF 10% 16V
R613	1-216-864-11	METAL CHIP	0 5% 1/16W	C135	1-164-943-11	CERAMIC CHIP	0.01uF 10% 16V
R614	1-216-864-11	METAL CHIP	0 5% 1/16W	C136	1-164-943-11	CERAMIC CHIP	0.01uF 10% 16V
		< SENSOR >		C137	1-164-943-11	CERAMIC CHIP	0.01uF 10% 16V
SE651	1-803-042-31	SENSOR, ANGULAR VELOCITY (PITCH)		C138	1-164-943-11	CERAMIC CHIP	0.01uF 10% 16V
SE652	1-803-042-41	SENSOR, ANGULAR VELOCITY (YAW)		C139	1-164-949-11	CERAMIC CHIP	0.047uF 16V
				C141	1-164-943-11	CERAMIC CHIP	0.01uF 10% 16V
A-7094-280-A	VC-213(N) BOARD, COMPLETE			C142	1-107-820-11	CERAMIC CHIP	0.1uF 10% 16V
	(SERVICE ASSY)(TR7000)			C143	1-164-943-11	CERAMIC CHIP	0.01uF 10% 16V
	*****			C144	1-164-874-11	CERAMIC CHIP	100PF 5% 16V
A-7094-281-A	VC-213 (QP) BOARD, COMPLETE			C145	1-164-872-11	CERAMIC CHIP	82PF 5% 16V
	(SERVICE ASSY)(TR7000E/TR7100E)			C146	1-164-874-11	CERAMIC CHIP	100PF 5% 16V
	*****			C147	1-164-878-11	CERAMIC CHIP	150PF 5% 16V
A-7094-282-A	VC-213(VN) BOARD, COMPLETE			C149	1-164-882-11	CERAMIC CHIP	220PF 5% 16V
	(SERVICE ASSY)(TRV103/TRV110/TRV110P/TRV203/			C150	1-164-943-11	CERAMIC CHIP	0.01uF 10% 16V
	TRV210/TRV310/TRV310P/TRV315)			C151	1-164-882-11	CERAMIC CHIP	220PF 5% 16V
	*****			C170	1-135-259-11	TANTAL. CHIP	10uF 20% 6.3V
A-7094-283-A	VC-213(VQP) BOARD, COMPLETE			C172	1-107-819-11	CERAMIC CHIP	0.022uF 10% 16V
	(SERVICE ASSY)(TRV110E/TRV210E/TRV310E)			C174	1-164-943-11	CERAMIC CHIP	0.01uF 10% 16V
	*****			C175	1-164-874-11	CERAMIC CHIP	100PF 5% 16V
	(Ref.No.:3000 Series)			C176	1-164-943-11	CERAMIC CHIP	0.01uF 10% 16V
	< CAPACITOR >			C177	1-164-943-11	CERAMIC CHIP	0.01uF 10% 16V
C101	1-135-259-11	TANTAL. CHIP	10uF 20% 6.3V	C178	1-164-943-11	CERAMIC CHIP	0.01uF 10% 16V
C102	1-164-943-11	CERAMIC CHIP	0.01uF 10% 16V	C179	1-107-725-11	CERAMIC CHIP	0.1uF 10% 16V
C103	1-125-777-11	CERAMIC CHIP	0.1uF 10% 10V	C180	1-164-943-11	CERAMIC CHIP	0.01uF 10% 16V
C104	1-135-180-21	TANTALUM CHIP	3.3uF 20% 6.3V	C182	1-107-826-91	CERAMIC CHIP	0.1uF 10% 16V
C105	1-135-259-11	TANTAL. CHIP	10uF 20% 6.3V	C201	1-107-819-11	CERAMIC CHIP	0.022uF 10% 16V
C106	1-164-943-11	CERAMIC CHIP	0.01uF 10% 16V	C202	1-107-819-11	CERAMIC CHIP	0.022uF 10% 16V
C107	1-164-943-11	CERAMIC CHIP	0.01uF 10% 16V	C203	1-164-943-11	CERAMIC CHIP	0.01uF 10% 16V
C108	1-164-943-11	CERAMIC CHIP	0.01uF 10% 16V	C204	1-164-943-11	CERAMIC CHIP	0.01uF 10% 16V
C109	1-164-943-11	CERAMIC CHIP	0.01uF 10% 16V	C205	1-104-852-11	TANTAL. CHIP	22uF 20% 6.3V
C111	1-164-943-11	CERAMIC CHIP	0.01uF 10% 16V	C206	1-164-943-11	CERAMIC CHIP	0.01uF 10% 16V
				C207	1-107-819-11	CERAMIC CHIP	0.022uF 10% 16V
				C209	1-162-958-11	CERAMIC CHIP	270PF 5% 50V
				C211	1-164-862-11	CERAMIC CHIP	33PF 5% 16V
				C213	1-162-908-11	CERAMIC CHIP	3PF 0.25PF 50V
				C214	1-135-259-11	TANTAL. CHIP	10uF 20% 6.3V
				C215	1-164-943-11	CERAMIC CHIP	0.01uF 10% 16V
				C217	1-162-958-11	CERAMIC CHIP	270PF 5% 50V
				C219	1-164-850-11	CERAMIC CHIP	10PF 0.5PF 16V

Ref. No.	Part No.	Description	Remarks	Ref. No.	Part No.	Description	Remarks
C221	1-164-862-11	CERAMIC CHIP	33PF 5% 16V	C311	1-164-850-11	CERAMIC CHIP	10PF 0.5PF 16V
C222	1-104-852-11	TANTAL. CHIP	22uF 20% 6.3V	C312	1-164-858-11	CERAMIC CHIP	22PF 5% 16V
C223	1-164-941-11	CERAMIC CHIP	0.0047uF 10% 16V			(EXCEPT:TRV110E/TRV210E/TRV310E/TR7000E/TR7100E)	
C224	1-164-943-11	CERAMIC CHIP	0.01uF 10% 16V	C312	1-125-777-11	CERAMIC CHIP	0.1uF 10% 10V
C225	1-165-176-11	CERAMIC CHIP	0.047uF 10% 16V			(TRV110E/TRV210E/TRV310E/TR7000E/TR7100E)	
C227	1-164-943-11	CERAMIC CHIP	0.01uF 10% 16V	C313	1-164-882-11	CERAMIC CHIP	220PF 5% 16V
C228	1-164-876-11	CERAMIC CHIP	120PF 5% 16V			(EXCEPT:TRV110E/TRV210E/TRV310E/TR7000E/TR7100E)	
C229	1-164-850-11	CERAMIC CHIP	10PF 0.5PF 16V	C314	1-164-943-11	CERAMIC CHIP	0.01uF 10% 16V
C230	1-164-872-11	CERAMIC CHIP	82PF 5% 16V	C315	1-164-943-11	CERAMIC CHIP	0.01uF 10% 16V
C231	1-164-876-11	CERAMIC CHIP	120PF 5% 16V	C316	1-135-259-11	TANTAL. CHIP	10uF 20% 6.3V
C234	1-115-156-11	CERAMIC CHIP	1uF 10V	C317	1-104-908-11	TANTAL. CHIP	47uF 20% 4V
C236	1-164-943-11	CERAMIC CHIP	0.01uF 10% 16V	C318	1-109-982-11	CERAMIC CHIP	1uF 10% 10V
C252	1-135-259-11	TANTAL. CHIP	10uF 20% 6.3V	C319	1-164-882-11	CERAMIC CHIP	220PF 5% 16V
C253	1-164-943-11	CERAMIC CHIP	0.01uF 10% 16V	C320	1-164-943-11	CERAMIC CHIP	0.01uF 10% 16V
C254	1-135-201-11	TANTALUM CHIP	10uF 20% 4V	C321	1-164-943-11	CERAMIC CHIP	0.01uF 10% 16V
C255	1-107-820-11	CERAMIC CHIP	0.1uF 16V	C322	1-135-259-11	TANTAL. CHIP	10uF 20% 6.3V
C256	1-164-864-11	CERAMIC CHIP	39PF 5% 16V	C323	1-104-908-11	TANTAL. CHIP	47uF 20% 4V
C257	1-164-392-11	CERAMIC CHIP	390PF 5% 50V	C351	1-164-943-11	CERAMIC CHIP	0.01uF 10% 16V
C258	1-164-850-11	CERAMIC CHIP	10PF 0.5PF 16V	C352	1-164-943-11	CERAMIC CHIP	0.01uF 10% 16V
C259	1-135-181-21	TANTALUM CHIP	4.7uF 20% 6.3V	C353	1-164-943-11	CERAMIC CHIP	0.01uF 10% 16V
C260	1-109-982-11	CERAMIC CHIP	1uF 10% 10V	C354	1-164-943-11	CERAMIC CHIP	0.01uF 10% 16V
C261	1-164-943-11	CERAMIC CHIP	0.01uF 10% 16V	C355	1-104-908-11	TANTAL. CHIP	47uF 20% 4V
C262	1-109-982-11	CERAMIC CHIP	1uF 10% 10V	C356	1-164-943-11	CERAMIC CHIP	0.01uF 10% 16V
C264	1-164-943-11	CERAMIC CHIP	0.01uF 10% 16V	C357	1-104-908-11	TANTAL. CHIP	47uF 20% 4V
C265	1-164-943-11	CERAMIC CHIP	0.01uF 10% 16V	C401	1-164-937-11	CERAMIC CHIP	0.001uF 10% 16V
C266	1-164-943-11	CERAMIC CHIP	0.01uF 10% 16V	C404	1-109-982-11	CERAMIC CHIP	1uF 10% 10V
C267	1-107-823-11	CERAMIC CHIP	0.47uF 10% 16V	C405	1-164-943-11	CERAMIC CHIP	0.01uF 10% 16V
C268	1-135-201-11	TANTALUM CHIP	10uF 20% 4V	C406	1-164-943-11	CERAMIC CHIP	0.01uF 10% 16V
C269	1-164-943-11	CERAMIC CHIP	0.01uF 10% 16V	C407	1-164-943-11	CERAMIC CHIP	0.01uF 10% 16V
C270	1-164-938-11	CERAMIC CHIP	0.0015uF 10% 16V	C451	1-125-777-11	CERAMIC CHIP	0.1uF 10% 10V
C272	1-135-201-11	TANTALUM CHIP	10uF 20% 4V	C452	1-125-777-11	CERAMIC CHIP	0.1uF 10% 10V
C273	1-164-943-11	CERAMIC CHIP	0.01uF 10% 16V	C453	1-125-777-11	CERAMIC CHIP	0.1uF 10% 10V
C274	1-164-943-11	CERAMIC CHIP	0.01uF 10% 16V	C454	1-125-777-11	CERAMIC CHIP	0.1uF 10% 10V
C276	1-107-820-11	CERAMIC CHIP	0.1uF 16V	C455	1-164-937-11	CERAMIC CHIP	0.001uF 10% 16V
C278	1-164-943-11	CERAMIC CHIP	0.01uF 10% 16V	C456	1-164-937-11	CERAMIC CHIP	0.001uF 10% 16V
C281	1-115-156-11	CERAMIC CHIP	1uF 10V	C457	1-164-937-11	CERAMIC CHIP	0.001uF 10% 16V
C284	1-135-201-11	TANTALUM CHIP	10uF 20% 4V	C458	1-162-966-11	CERAMIC CHIP	0.0022uF 10% 50V
C285	1-164-852-11	CERAMIC CHIP	12PF 5% 16V	C459	1-162-966-11	CERAMIC CHIP	0.0022uF 10% 50V
C286	1-164-937-11	CERAMIC CHIP	0.001uF 10% 16V	C460	1-109-982-11	CERAMIC CHIP	1uF 10% 10V
C287	1-164-937-11	CERAMIC CHIP	0.001uF 10% 16V	C461	1-125-777-11	CERAMIC CHIP	0.1uF 10% 10V
C288	1-164-940-11	CERAMIC CHIP	0.0033uF 10% 16V	C462	1-164-935-11	CERAMIC CHIP	470PF 10% 16V
C289	1-125-777-11	CERAMIC CHIP	0.1uF 10% 10V	C463	1-162-970-11	CERAMIC CHIP	0.01uF 10% 25V
C291	1-164-943-11	CERAMIC CHIP	0.01uF 10% 16V	C464	1-162-970-11	CERAMIC CHIP	0.01uF 10% 25V
C292	1-104-852-11	TANTAL. CHIP	22uF 20% 6.3V	C465	1-164-935-11	CERAMIC CHIP	470PF 10% 16V
C293	1-164-346-11	CERAMIC CHIP	1uF 16V	C466	1-164-942-11	CERAMIC CHIP	0.0068uF 10% 16V
C301	1-109-994-11	CERAMIC CHIP	2.2uF 10% 10V	C467	1-165-176-11	CERAMIC CHIP	0.047uF 10% 16V
C302	1-165-176-11	CERAMIC CHIP	0.047uF 10% 16V	C468	1-115-467-11	CERAMIC CHIP	0.22uF 10% 10V
C303	1-164-937-11	CERAMIC CHIP	0.001uF 10% 16V	C469	1-125-777-11	CERAMIC CHIP	0.1uF 10% 10V
C304	1-164-937-11	CERAMIC CHIP	0.001uF 10% 16V	C470	1-125-777-11	CERAMIC CHIP	0.1uF 10% 10V
C305	1-164-937-11	CERAMIC CHIP	0.001uF 10% 16V	C471	1-107-820-11	CERAMIC CHIP	0.1uF 16V
C306	1-164-943-11	CERAMIC CHIP	0.01uF 10% 16V	C472	1-107-819-11	CERAMIC CHIP	0.022uF 10% 16V
C307	1-164-943-11	CERAMIC CHIP	0.01uF 10% 16V	C473	1-164-937-11	CERAMIC CHIP	0.001uF 10% 16V
C308	1-164-943-11	CERAMIC CHIP	0.01uF 10% 16V	C474	1-164-937-11	CERAMIC CHIP	0.001uF 10% 16V
C309	1-164-850-11	CERAMIC CHIP	10PF 0.5PF 16V	C475	1-165-176-11	CERAMIC CHIP	0.047uF 10% 16V
C310	1-164-943-11	CERAMIC CHIP	0.01uF 10% 16V	C476	1-164-942-11	CERAMIC CHIP	0.0068uF 10% 16V
				C477	1-165-176-11	CERAMIC CHIP	0.047uF 10% 16V
				C479	1-107-819-11	CERAMIC CHIP	0.022uF 10% 16V
				C480	1-107-820-11	CERAMIC CHIP	0.1uF 16V

VC-213

Ref. No.	Part No.	Description	Remarks	Ref. No.	Part No.	Description	Remarks
C481	1-107-820-11	CERAMIC CHIP	0.1uF	16V	C561	1-164-937-11	CERAMIC CHIP 0.001uF 10% 16V
C482	1-164-505-11	CERAMIC CHIP	2.2uF	16V	C563	1-164-943-11	CERAMIC CHIP 0.01uF 10% 16V
C483	1-107-820-11	CERAMIC CHIP	0.1uF	16V	C564	1-135-259-11	TANTAL. CHIP 10uF 20% 6.3V
C484	1-164-882-11	CERAMIC CHIP	220PF	5% 16V	C565	1-107-823-11	CERAMIC CHIP 0.47uF 10% 16V
C485	1-125-777-11	CERAMIC CHIP	0.1uF	10% 10V	C566	1-164-943-11	CERAMIC CHIP 0.01uF 10% 16V
C486	1-125-777-11	CERAMIC CHIP	0.1uF	10% 10V	C567	1-164-943-11	CERAMIC CHIP 0.01uF 10% 16V
C501	1-164-850-11	CERAMIC CHIP	10PF	0.5PF 16V	C568	1-104-752-11	TANTAL. CHIP 33uF 20% 6.3V
C502	1-164-937-11	CERAMIC CHIP	0.001uF	10% 16V	C569	1-164-939-11	CERAMIC CHIP 0.0022uF 10% 16V
C503	1-164-850-11	CERAMIC CHIP	10PF	0.5PF 16V	C570	1-115-156-11	CERAMIC CHIP 1uF 10V
C504	1-115-156-11	CERAMIC CHIP	1uF	10V	C571	1-164-004-11	CERAMIC CHIP 0.1uF 10% 25V
C505	1-115-156-11	CERAMIC CHIP	1uF	10V	C590	1-164-878-11	CERAMIC CHIP 150PF 5% 16V
C506	1-107-686-11	TANTAL. CHIP	4.7uF	20% 16V	C591	1-164-858-11	CERAMIC CHIP 22PF 5% 16V
C507	1-135-201-11	TANTALUM CHIP	10uF	20% 4V	C592	1-164-876-11	CERAMIC CHIP 120PF 5% 16V
C509	1-115-156-11	CERAMIC CHIP	1uF	10V	C593	1-164-862-11	CERAMIC CHIP 33PF 5% 16V
C510	1-164-937-11	CERAMIC CHIP	0.001uF	10% 16V	C594	1-164-878-11	CERAMIC CHIP 150PF 5% 16V
C511	1-165-176-11	CERAMIC CHIP	0.047uF	10% 16V	C601	1-104-851-11	TANTAL. CHIP 10uF 20% 10V
C513	1-163-021-91	CERAMIC CHIP	0.01uF	10% 50V	C602	1-164-943-11	CERAMIC CHIP 0.01uF 10% 16V
C514	1-125-777-11	CERAMIC CHIP	0.1uF	10% 10V	C603	1-104-851-11	TANTAL. CHIP 10uF 20% 10V
C515	1-164-937-11	CERAMIC CHIP	0.001uF	10% 16V	C604	1-104-851-11	TANTAL. CHIP 10uF 20% 10V
C517	1-165-176-11	CERAMIC CHIP	0.047uF	10% 16V	C605	1-164-943-11	CERAMIC CHIP 0.01uF 10% 16V
C518	1-164-943-11	CERAMIC CHIP	0.01uF	10% 16V	C606	1-104-851-11	TANTAL. CHIP 10uF 20% 10V
C519	1-164-943-11	CERAMIC CHIP	0.01uF	10% 16V	C607	1-164-862-11	CERAMIC CHIP 33PF 5% 16V
C520	1-125-777-11	CERAMIC CHIP	0.1uF	10% 10V	C608	1-109-982-11	CERAMIC CHIP 1uF 10% 10V
C521	1-125-777-11	CERAMIC CHIP	0.1uF	10% 10V	C609	1-164-874-11	CERAMIC CHIP 100PF 5% 16V
C522	1-125-777-11	CERAMIC CHIP	0.1uF	10% 10V	C610	1-164-943-11	CERAMIC CHIP 0.01uF 10% 16V
C523	1-164-937-11	CERAMIC CHIP	0.001uF	10% 16V	C611	1-164-943-11	CERAMIC CHIP 0.01uF 10% 16V
C524	1-164-943-11	CERAMIC CHIP	0.01uF	10% 16V	C612	1-135-210-11	TANTALUM CHIP 4.7uF 20% 10V
C525	1-109-982-11	CERAMIC CHIP	1uF	10% 10V	C613	1-135-210-11	TANTALUM CHIP 4.7uF 20% 10V
C526	1-125-777-11	CERAMIC CHIP	0.1uF	10% 10V	C614	1-164-854-11	CERAMIC CHIP 15PF 5% 16V
C527	1-125-777-11	CERAMIC CHIP	0.1uF	10% 10V	C615	1-164-874-11	CERAMIC CHIP 100PF 5% 16V
C528	1-125-777-11	CERAMIC CHIP	0.1uF	10% 10V	C616	1-164-937-11	CERAMIC CHIP 0.001uF 10% 16V
C529	1-125-777-11	CERAMIC CHIP	0.1uF	10% 10V	C617	1-109-982-11	CERAMIC CHIP 1uF 10% 10V
C530	1-125-839-91	TANTAL. CHIP	47uF	20% 6.3V	C618	1-164-943-11	CERAMIC CHIP 0.01uF 10% 16V
C531	1-125-777-11	CERAMIC CHIP	0.1uF	10% 10V	C619	1-104-851-11	TANTAL. CHIP 10uF 20% 10V
C532	1-125-777-11	CERAMIC CHIP	0.1uF	10% 10V	C620	1-164-943-11	CERAMIC CHIP 0.01uF 10% 16V
		(TRV110E/TRV210E/TRV310E/TR7000E/TR7100E)			C621	1-164-943-11	CERAMIC CHIP 0.01uF 10% 16V
		(TRV110E/TRV210E/TRV310E/TR7000E/TR7100E)			C622	1-164-847-11	CERAMIC CHIP 7PF 0.5PF 16V
C533	1-125-777-11	CERAMIC CHIP	0.1uF	10% 10V	C623	1-164-874-11	CERAMIC CHIP 100PF 5% 16V
		(TRV110E/TRV210E/TRV310E/TR7000E/TR7100E)			C624	1-164-943-11	CERAMIC CHIP 0.01uF 10% 16V
C534	1-119-923-81	CERAMIC CHIP	0.047uF	10% 10V	C625	1-164-862-11	CERAMIC CHIP 33PF 5% 16V
		(TRV110E/TRV210E/TRV310E/TR7000E/TR7100E)			C626	1-164-943-11	CERAMIC CHIP 0.01uF 10% 16V
C535	1-135-201-11	TANTALUM CHIP	10uF	20% 4V	C627	1-164-943-11	CERAMIC CHIP 0.01uF 10% 16V
		(TRV110E/TRV210E/TRV310E/TR7000E/TR7100E)			C628	1-125-777-11	CERAMIC CHIP 0.1uF 10% 10V
C536	1-125-777-11	CERAMIC CHIP	0.1uF	10% 10V	C629	1-164-943-11	CERAMIC CHIP 0.01uF 10% 16V
		(TRV110E/TRV210E/TRV310E/TR7000E/TR7100E)			C630	1-164-943-11	CERAMIC CHIP 0.01uF 10% 16V
C537	1-164-943-11	CERAMIC CHIP	0.01uF	10% 16V	C631	1-164-943-11	CERAMIC CHIP 0.01uF 10% 16V
		(TRV110E/TRV210E/TRV310E/TR7000E/TR7100E)			C632	1-164-943-11	CERAMIC CHIP 0.01uF 10% 16V
C551	1-164-941-11	CERAMIC CHIP	0.0047uF	10% 16V	C633	1-125-777-11	CERAMIC CHIP 0.1uF 10% 10V
C552	1-135-259-11	TANTAL. CHIP	10uF	20% 6.3V	C634	1-125-777-11	CERAMIC CHIP 0.1uF 10% 10V
C553	1-164-943-11	CERAMIC CHIP	0.01uF	10% 16V	C635	1-125-777-11	CERAMIC CHIP 0.1uF 10% 10V
C554	1-164-943-11	CERAMIC CHIP	0.01uF	10% 16V	C636	1-104-851-11	TANTAL. CHIP 10uF 20% 10V
C555	1-164-943-11	CERAMIC CHIP	0.01uF	10% 16V	C637	1-164-858-11	CERAMIC CHIP 22PF 5% 16V
C556	1-164-004-11	CERAMIC CHIP	0.1uF	10% 25V	C638	1-164-876-11	CERAMIC CHIP 120PF 5% 16V
C557	1-125-777-11	CERAMIC CHIP	0.1uF	10% 10V	C639	1-164-862-11	CERAMIC CHIP 33PF 5% 16V
C558	1-164-935-11	CERAMIC CHIP	470PF	10% 16V	C641	1-109-994-11	CERAMIC CHIP 2.2uF 10% 10V
C559	1-164-489-11	CERAMIC CHIP	0.22uF	10% 16V	C642	1-164-943-11	CERAMIC CHIP 0.01uF 10% 16V
C560	1-164-943-11	CERAMIC CHIP	0.01uF	10% 16V	C643	1-104-851-11	TANTAL. CHIP 10uF 20% 10V
					C644	1-164-943-11	CERAMIC CHIP 0.01uF 10% 16V
					C645	1-164-943-11	CERAMIC CHIP 0.01uF 10% 16V
					C646	1-104-851-11	TANTAL. CHIP 10uF 20% 10V

Ref. No.	Part No.	Description	Remarks	Ref. No.	Part No.	Description	Remarks
C647	1-104-851-11	TANTAL. CHIP	10uF 20% 10V	C708	1-107-823-11	CERAMIC CHIP	0.47uF 10% 16V
C648	1-164-943-11	CERAMIC CHIP	0.01uF 10% 16V	C709	1-164-943-11	CERAMIC CHIP	0.01uF 10% 16V
C649	1-164-943-11	CERAMIC CHIP	0.01uF 10% 16V	C710	1-135-259-11	TANTAL. CHIP	10uF 20% 6.3
C650	1-109-982-11	CERAMIC CHIP	1uF 10% 10V	C711	1-119-750-11	TANTAL. CHIP	22uF 20% 6.3
C651	1-104-851-11	TANTAL. CHIP	10uF 20% 10V	C712	1-164-943-11	CERAMIC CHIP	0.01uF 10% 16V (EXCEPT:TR7000/TR7000E/TR7100E)
C652	1-164-943-11	CERAMIC CHIP	0.01uF 10% 16V	C713	1-107-686-11	TANTAL. CHIP	4.7uF 20% 16V
C653	1-164-943-11	CERAMIC CHIP	0.01uF 10% 16V	C714	1-164-943-11	CERAMIC CHIP	0.01uF 10% 16V (EXCEPT:TR7000/TR7000E/TR7100E)
C654	1-164-943-11	CERAMIC CHIP	0.01uF 10% 16V	C715	1-135-177-21	TANTALUM CHIP	1uF 20% 20V
C655	1-104-851-11	TANTAL. CHIP	10uF 20% 10V	C716	1-164-874-11	CERAMIC CHIP	100PF 5% 16V (EXCEPT:TR7000/TR7000E/TR7100E)
C656	1-107-823-11	CERAMIC CHIP	0.47uF 10% 16V	C717	1-135-259-11	TANTAL. CHIP	10uF 20% 6.3V
C657	1-107-823-11	CERAMIC CHIP	0.47uF 10% 16V	C718	1-107-823-11	CERAMIC CHIP	0.47uF 10% 16V
C658	1-109-982-11	CERAMIC CHIP	1uF 10% 10V	C719	1-164-943-11	CERAMIC CHIP	0.01uF 10% 16V
C659	1-109-982-11	CERAMIC CHIP	1uF 10% 10V	C720	1-109-982-11	CERAMIC CHIP	1uF 10% 10V
C660	1-109-982-11	CERAMIC CHIP	1uF 10% 10V	C721	1-164-874-11	CERAMIC CHIP	100PF 5% 16V (EXCEPT:TR7000/TR7000E/TR7100E)
C661	1-135-181-21	TANTALUM CHIP	4.7uF 20% 6.3V	C722	1-107-823-11	CERAMIC CHIP	0.47uF 10% 16V
C662	1-164-943-11	CERAMIC CHIP	0.01uF 10% 16V	C723	1-135-259-11	TANTAL. CHIP	10uF 20% 6.3V
C663	1-135-149-21	TANTALUM CHIP	2.2uF 20% 10V	C724	1-109-982-11	CERAMIC CHIP	1uF 10% 10V
C664	1-104-851-11	TANTAL. CHIP	10uF 20% 10V	C725	1-125-777-11	CERAMIC CHIP	0.1uF 10% 10V (EXCEPT:TR7000/TR7000E/TR7100E)
C665	1-164-668-11	CERAMIC CHIP	510PF 5% 50V	C726	1-164-943-11	CERAMIC CHIP	0.01uF 10% 16V (EXCEPT:TR7000/TR7000E/TR7100E)
C666	1-128-829-91	TANTAL. CHIP	220uF 20% 6.3V	C727	1-107-823-11	CERAMIC CHIP	0.47uF 10% 16V (EXCEPT:TR7000/TR7000E/TR7100E)
C667	1-164-943-11	CERAMIC CHIP	0.01uF 10% 16V	C728	1-135-259-11	TANTAL. CHIP	10uF 20% 6.3V
C668	1-164-864-11	CERAMIC CHIP	39PF 5% 16V	C731	1-164-943-11	CERAMIC CHIP	0.01uF 10% 16V
C669	1-107-823-11	CERAMIC CHIP	0.47uF 10% 16V	C732	1-164-943-11	CERAMIC CHIP	0.01uF 10% 16V
C670	1-109-982-11	CERAMIC CHIP	1uF 10% 10V	C733	1-135-259-11	TANTAL. CHIP	10uF 20% 6.3V
C671	1-164-862-11	CERAMIC CHIP	33PF 5% 16V	C734	1-135-259-11	TANTAL. CHIP	10uF 20% 6.3V
C672	1-125-777-11	CERAMIC CHIP	0.1uF 10% 10V	C735	1-135-259-11	TANTAL. CHIP	10uF 20% 6.3V
C673	1-164-844-11	CERAMIC CHIP	4PF 0.25PF 16V	C736	1-164-943-11	CERAMIC CHIP	0.01uF 10% 16V
C674	1-107-823-11	CERAMIC CHIP	0.47uF 10% 16V	C737	1-135-259-11	TANTAL. CHIP	10uF 20% 6.3V
C675	1-109-982-11	CERAMIC CHIP	1uF 10% 10V	C738	1-164-942-11	CERAMIC CHIP	0.0068uF 10% 16V
C676	1-135-149-21	TANTALUM CHIP	2.2uF 20% 10V	C739	1-164-943-11	CERAMIC CHIP	0.01uF 10% 16V
C677	1-164-943-11	CERAMIC CHIP	0.01uF 10% 16V	C740	1-164-943-11	CERAMIC CHIP	0.01uF 10% 16V
C678	1-125-777-11	CERAMIC CHIP	0.1uF 10% 10V	C741	1-135-259-11	TANTAL. CHIP	10uF 20% 6.3V
C679	1-128-829-91	TANTAL. CHIP	220uF 20% 6.3V	C742	1-135-259-11	TANTAL. CHIP	10uF 20% 6.3V
C680	1-164-943-11	CERAMIC CHIP	0.01uF 10% 16V (EXCEPT:TR7000E/TR7100E)	C743	1-164-942-11	CERAMIC CHIP	0.0068uF 10% 16V
C681	1-164-943-11	CERAMIC CHIP	0.01uF 10% 16V	C744	1-164-943-11	CERAMIC CHIP	0.01uF 10% 16V
C682	1-109-982-11	CERAMIC CHIP	1uF 10% 10V	C745	1-164-943-11	CERAMIC CHIP	0.01uF 10% 16V
C684	1-164-943-11	CERAMIC CHIP	0.01uF 10% 16V (EXCEPT:TR7000E/TR7100E)	C746	1-164-943-11	CERAMIC CHIP	0.01uF 10% 16V (EXCEPT:TR7000/TR7000E/TR7100E)
C685	1-164-943-11	CERAMIC CHIP	0.01uF 10% 16V	C747	1-109-982-11	CERAMIC CHIP	1uF 10% 10V
C686	1-104-847-11	TANTAL. CHIP	22uF 20% 4V	C748	1-109-982-11	CERAMIC CHIP	1uF 10% 10V
C687	1-164-943-11	CERAMIC CHIP	0.01uF 10% 16V	C749	1-164-937-11	CERAMIC CHIP	0.001uF 10% 16V
C688	1-164-943-11	CERAMIC CHIP	0.01uF 10% 16V	C750	1-164-937-11	CERAMIC CHIP	0.001uF 10% 16V
C690	1-135-259-11	TANTAL. CHIP	10uF 20% 6.3V	C761	1-135-259-11	TANTAL. CHIP	10uF 20% 6.3V
C691	1-135-259-11	TANTAL. CHIP	10uF 20% 6.3V	C762	1-104-752-11	TANTAL. CHIP	33uF 20% 6.3V
C692	1-164-943-11	CERAMIC CHIP	0.01uF 10% 16V	C763	1-104-847-11	TANTAL. CHIP	22uF 20% 4V
C693	1-164-943-11	CERAMIC CHIP	0.01uF 10% 16V	C765	1-109-982-11	CERAMIC CHIP	1uF 10% 10V (TRV110E/TRV210E/TRV310E/TR7000E/TR7100E)
C694	1-164-943-11	CERAMIC CHIP	0.01uF 10% 16V				
C695	1-164-943-11	CERAMIC CHIP	0.01uF 10% 16V				
C696	1-164-943-11	CERAMIC CHIP	0.01uF 10% 16V				
C701	1-107-823-11	CERAMIC CHIP	0.47uF 10% 16V				
C702	1-107-823-11	CERAMIC CHIP	0.47uF 10% 16V				
C703	1-135-259-11	TANTAL. CHIP	10uF 20% 6.3V				
C704	1-135-259-11	TANTAL. CHIP	10uF 20% 6.3V				
C705	1-110-569-11	TANTAL. CHIP	47uF 20% 6.3V				
C706	1-110-569-11	TANTAL. CHIP	47uF 20% 6.3V				
C707	1-107-823-11	CERAMIC CHIP	0.47uF 10% 16V				

VC-213

Ref. No.	Part No.	Description	Remarks	Ref. No.	Part No.	Description	Remarks
C766	1-104-847-11	TANTAL. CHIP 22uF 20% 4V		C790	1-165-176-11	CERAMIC CHIP 0.047uF 10% 16V (EXCEPT:TRV110E/TRV210E/TRV310E/TR7000E/TR7100E)	
C767	1-162-966-11	CERAMIC CHIP 0.0022uF 10% 50V (TRV110E/TRV210E/TRV310E/TR7000E/TR7100E)		C791	1-164-936-11	CERAMIC CHIP 680PF 10% 16V (TRV110E/TRV210E/TRV310E/TR7000E/TR7100E)	
C768	1-164-941-11	CERAMIC CHIP 0.0047uF 10% 16V (EXCEPT:TRV110E/TRV210E/TRV310E/TR7000E/TR7100E)		C791	1-164-943-11	CERAMIC CHIP 0.01uF 10% 16V (EXCEPT:TRV110E/TRV210E/TRV310E/TR7000E/TR7100E)	
C768	1-218-973-11	RES.CHIP 47K 5% 1/16W (Note)(TRV110E/TRV210E/TRV310E/TR7000E/TR7100E)		C792	1-164-943-11	CERAMIC CHIP 0.01uF 10% 16V	
C769	1-115-467-11	CERAMIC CHIP 0.22uF 10% 10V (TRV110E/TRV210E/TRV310E/TR7000E/TR7100E)		C793	1-164-943-11	CERAMIC CHIP 0.01uF 10% 16V	
C769	1-162-968-11	CERAMIC CHIP 0.0047uF 10% 50V (EXCEPT:TRV110E/TRV210E/TRV310E/TR7000E/TR7100E)		C794	1-164-870-11	CERAMIC CHIP 68PF 5% 16V	
C770	1-164-943-11	CERAMIC CHIP 0.01uF 10% 16V (EXCEPT:TRV110E/TRV210E/TRV310E/TR7000E/TR7100E)		C801	1-107-820-11	CERAMIC CHIP 0.1uF 16V	
C770	1-218-990-11	SHORT 0 (Note)(TRV110E/TRV210E/TRV310E/TR7000E/TR7100E)		C802	1-135-177-21	TANTALUM CHIP 1uF 20% 20V (EXCEPT:TR7000/TR7000E/TR7100E)	
C771	1-109-982-11	CERAMIC CHIP 1uF 10% 10V		C803	1-107-820-11	CERAMIC CHIP 0.1uF 16V	
C772	1-107-826-91	CERAMIC CHIP 0.1uF 10% 16V (TRV110E/TRV210E/TRV310E/TR7000E/TR7100E)		C804	1-107-820-11	CERAMIC CHIP 0.1uF 16V	
C772	1-162-970-11	CERAMIC CHIP 0.01uF 10% 25V (EXCEPT:TRV110E/TRV210E/TRV310E/TR7000E/TR7100E)		C805	1-119-749-11	TANTAL. CHIP 33uF 20% 4V	
C773	1-109-982-11	CERAMIC CHIP 1uF 10% 10V		C806	1-104-851-11	TANTAL. CHIP 10uF 20% 10V	
C774	1-164-943-11	CERAMIC CHIP 0.01uF 10% 16V (EXCEPT:TRV110E/TRV210E/TRV310E/TR7000E/TR7100E)		C807	1-164-943-11	CERAMIC CHIP 0.01uF 10% 16V	
C775	1-109-982-11	CERAMIC CHIP 1uF 10% 10V (TRV110E/TRV210E/TRV310E/TR7000E/TR7100E)		C808	1-164-943-11	CERAMIC CHIP 0.01uF 10% 16V	
C775	1-163-021-91	CERAMIC CHIP 0.01uF 10% 50V (EXCEPT:TRV110E/TRV210E/TRV310E/TR7000E/TR7100E)		C809	1-164-943-11	CERAMIC CHIP 0.01uF 10% 16V	
C776	1-164-943-11	CERAMIC CHIP 0.01uF 10% 16V (EXCEPT:TRV110E/TRV210E/TRV310E/TR7000E/TR7100E)		C810	1-164-943-11	CERAMIC CHIP 0.01uF 10% 16V	
C777	1-109-982-11	CERAMIC CHIP 1uF 10% 10V		C811	1-164-943-11	CERAMIC CHIP 0.01uF 10% 16V	
C778	1-107-826-91	CERAMIC CHIP 0.1uF 10% 16V (TRV110E/TRV210E/TRV310E/TR7000E/TR7100E)		C812	1-164-943-11	CERAMIC CHIP 0.01uF 10% 16V	
C778	1-162-968-11	CERAMIC CHIP 0.0047uF 10% 50V (EXCEPT:TRV110E/TRV210E/TRV310E/TR7000E/TR7100E)		C813	1-164-943-11	CERAMIC CHIP 0.01uF 10% 16V	
C779	1-109-982-11	CERAMIC CHIP 1uF 10% 10V		C814	1-164-943-11	CERAMIC CHIP 0.01uF 10% 16V	
C780	1-164-941-11	CERAMIC CHIP 0.0047uF 10% 16V (EXCEPT:TRV110E/TRV210E/TRV310E/TR7000E/TR7100E)		C815	1-164-943-11	CERAMIC CHIP 0.01uF 10% 16V	
C781	1-115-467-11	CERAMIC CHIP 0.22uF 10% 10V		C817	1-164-943-11	CERAMIC CHIP 0.01uF 10% 16V	
C782	1-115-467-11	CERAMIC CHIP 0.22uF 10% 10V (EXCEPT:TRV110E/TRV210E/TRV310E/TR7000E/TR7100E)		C818	1-164-943-11	CERAMIC CHIP 0.01uF 10% 16V	
C783	1-109-982-11	CERAMIC CHIP 1uF 10% 10V		C819	1-107-820-11	CERAMIC CHIP 0.1uF 16V	
C784	1-109-982-11	CERAMIC CHIP 1uF 10% 10V		C820	1-107-820-11	CERAMIC CHIP 0.1uF 16V	
C785	1-109-982-11	CERAMIC CHIP 1uF 10% 10V (EXCEPT:TRV110E/TRV210E/TRV310E/TR7000E/TR7100E)		C821	1-107-819-11	CERAMIC CHIP 0.022uF 10% 16V	
C785	1-164-489-11	CERAMIC CHIP 0.22uF 10% 16V (TRV110E/TRV210E/TRV310E/TR7000E/TR7100E)		C822	1-107-820-11	CERAMIC CHIP 0.1uF 16V	
C786	1-109-982-11	CERAMIC CHIP 1uF 10% 10V (EXCEPT:TRV110E/TRV210E/TRV310E/TR7000E/TR7100E)		C823	1-164-858-11	CERAMIC CHIP 22PF 5% 16V	
C786	1-164-489-11	CERAMIC CHIP 0.22uF 10% 16V (TRV110E/TRV210E/TRV310E/TR7000E/TR7100E)		C824	1-164-854-11	CERAMIC CHIP 15PF 5% 16V	
C787	1-107-823-11	CERAMIC CHIP 0.47uF 10% 16V (TRV110E/TRV210E/TRV310E/TR7000E/TR7100E)		C825	1-107-820-11	CERAMIC CHIP 0.1uF 16V	
C787	1-109-982-11	CERAMIC CHIP 1uF 10% 10V (EXCEPT:TRV110E/TRV210E/TRV310E/TR7000E/TR7100E)		C826	1-164-942-11	CERAMIC CHIP 0.0068uF 10% 16V	
C788	1-107-823-11	CERAMIC CHIP 0.47uF 10% 16V (TRV110E/TRV210E/TRV310E/TR7000E/TR7100E)		C827	1-107-820-11	CERAMIC CHIP 0.1uF 16V	
C788	1-109-982-11	CERAMIC CHIP 1uF 10% 10V (EXCEPT:TRV110E/TRV210E/TRV310E/TR7000E/TR7100E)		C901	1-109-982-11	CERAMIC CHIP 1uF 10% 10V	
C789	1-164-940-11	CERAMIC CHIP 0.0033uF 10% 16V (TRV110E/TRV210E/TRV310E/TR7000E/TR7100E)		C902	1-109-982-11	CERAMIC CHIP 1uF 10% 10V	
C790	1-162-963-11	CERAMIC CHIP 680PF 10% 50V (TRV110E/TRV210E/TRV310E/TR7000E/TR7100E)		C903	1-164-850-11	CERAMIC CHIP 10PF 0.5PF 16V	
				C905	1-164-943-11	CERAMIC CHIP 0.01uF 10% 16V	
				C906	1-107-820-11	CERAMIC CHIP 0.1uF 16V	
				C907	1-107-820-11	CERAMIC CHIP 0.1uF 16V	
				C908	1-164-943-11	CERAMIC CHIP 0.01uF 10% 16V	
				C909	1-164-943-11	CERAMIC CHIP 0.01uF 10% 16V	
				C910	1-107-820-11	CERAMIC CHIP 0.1uF 16V	
				C911	1-107-820-11	CERAMIC CHIP 0.1uF 16V	
				C912	1-107-820-11	CERAMIC CHIP 0.1uF 16V	
				C913	1-107-820-11	CERAMIC CHIP 0.1uF 16V	
				C914	1-107-820-11	CERAMIC CHIP 0.1uF 16V	
						< CONNECTOR >	
				CN101	1-766-346-21	CONNECTOR, FFC/FPC 16P	
				CN501	1-779-332-11	CONNECTOR, FFC/FPC 16P	
				CN551	1-573-364-11	CONNECTOR, FFC/FPC 24P	
				CN901	1-766-644-21	CONNECTOR, FFC/FPC 8P	
				CN903	1-766-352-21	CONNECTOR, FFC/FPC 22P	

Note : Resistors are mounted to the location where C768,C770 are printed.

Ref. No.	Part No.	Description	Remarks	Ref. No.	Part No.	Description	Remarks
CN904	1-766-356-21	CONNECTOR, FFC/FPC 26P		FB606	1-500-238-22	FERRITE	OUI
CN905	1-766-646-21	CONNECTOR, FFC/FPC 10P		FB801	1-500-238-22	FERRITE	OUI
CN906	1-766-342-21	CONNECTOR, FFC/FPC 12P		FB901	1-500-238-22	FERRITE	OUI
CN907	1-766-346-21	CONNECTOR, FFC/FPC 16P				< IC >	
CN908	1-766-345-21	CONNECTOR, FFC/FPC 15P					
CN909	1-766-340-21	CONNECTOR, FFC/FPC 10P		IC101	8-759-195-81	IC TC7S86FU(TE85R)	
CN910	1-766-350-21	CONNECTOR, FFC/FPC 20P		IC102	8-752-086-53	IC CXA2072R-T4	
CN911	1-778-637-21	CONNECTOR, FFC/FPC (ZIF) 50P		IC103	8-752-086-52	IC CXA2071R-T4	
CN914	1-774-600-41	CONNECTOR, BOARD TO BOARD 70P (EXCEPT:TR7000/TR7000E/TR7000E)		IC104	8-759-584-35	IC F712504DPM-TEB	
CN914	1-793-128-21	CONNECTOR, BOARD TO BOARD 70P (TR7000/TR7000E/TR7100E)		IC162	8-759-338-95	IC NJM2903V(TE2)	
		< DIODE >		IC201	8-752-075-31	IC CXA2012R-T4	
D251	8-719-055-86	DIODE KV1470TL1-3		IC251	8-759-578-34	IC MB87F4090PFF-G-BND	
D252	8-719-055-86	DIODE KV1470TL1-3		IC253	8-759-447-77	IC TC7WH74FU(TE12R)	
D253	8-713-103-84	DIODE 1T379-01-T8A		IC254	8-759-243-19	IC TC7SU04F(TE85R)	
D301	8-719-055-86	DIODE KV1470TL1-3		IC255	8-759-497-44	IC TC7WH125FU(TE12R)	
D501	8-713-103-84	DIODE 1T379-01-T8A		IC256	8-759-497-44	IC TC7WH125FU(TE12R)	
D551	8-719-073-01	DIODE MA111-(K8).SO		IC291	8-759-169-02	IC MB88344BPFV-G-BND-ER (EXCEPT:TRV110E/TRV210E/TRV310E/TR7000E/TR7100E)	
D601	8-719-071-32	DIODE HVC350BTRF		IC291	8-759-536-93	IC M62371GP-600D (TRV110E/TRV210E/TRV310E/TR7000E/TR7100E)	
D602	8-719-071-32	DIODE HVC350BTRF		IC301	8-759-584-36	IC HG73C050BPTL	
D801	8-719-073-02	DIODE MA728-(K8).SO		IC302	8-752-397-36	IC CXD3129GA-T6	
D802	8-719-073-02	DIODE MA728-(K8).SO		IC303	8-752-397-37	IC CXD3200GA-T6 (EXCEPT:TRV110E/TRV210E/TRV310E/TR7000E/TR7100E)	
D803	8-719-073-02	DIODE MA728-(K8).SO		IC303	8-759-535-43	IC SN104266GGM-TEB (TRV110E/TRV210E/TRV310E/TR7000E/TR7100E)	
D804	8-719-056-23	DIODE MA2S111-(K8).SO		IC351	8-759-584-66	IC M65511AWG-600D	
D805	8-719-056-23	DIODE MA2S111-(K8).SO		IC352	8-759-583-86	IC MB90097PFV-G-123-BND-ER	
D970	8-719-073-03	DIODE MA8082-(K8).SO		IC401	8-759-576-29	IC MB91191RPFV-G-135-BND-ER	
D971	8-719-062-16	DIODE 01ZA8.2(TPL3)		IC402	8-759-445-94	IC AK6480AM-E2	
D971	8-719-045-87	DIODE MA4Z082WA-(K8).SO		IC451	8-759-327-67	IC LB1950V-TLM	
		< FERRITE BEAD >		IC452	8-759-327-61	IC LB8112V-TLM (EXCEPT:TRV110E/TRV210E/TRV310E/TR7000E/TR7100E)	
FB101	1-500-238-22	FERRITE	OUI	IC452	8-759-327-62	IC TA8482FN-EL (TRV110E/TRV210E/TRV310E/TR7000E/TR7100E)	
FB102	1-500-238-22	FERRITE	OUI	IC453	8-759-338-95	IC NJM2903V(TE2)	
FB252	1-500-238-22	FERRITE	OUI	IC501	8-752-386-72	IC CXD2444R-T4	
FB253	1-500-238-22	FERRITE	OUI	IC502	8-759-570-81	IC AD9808AJSTR	
FB254	1-500-238-22	FERRITE	OUI	IC503	8-752-395-74	IC CXD3145R-T6 (TRV110E/TRV210E/TRV310E/TR7000E/TR7100E)	
FB256	1-500-284-21	INDUCTOR CHIP	OUI	IC551	8-759-475-79	IC uPD16833AG3-E2 (TRV110E/TRV210E/TRV310E/TR7000E/TR7100E)	
FB257	1-500-238-22	FERRITE	OUI	IC551	8-759-492-31	IC MPC17A134VMEL (EXCEPT:TRV110E/TRV210E/TRV310E/TR7000E/TR7100E)	
FB291	1-500-238-22	FERRITE	OUI	IC552	8-759-444-87	IC NJM324V(TE2)	
FB302	1-500-238-22	FERRITE	OUI	IC601	8-759-579-81	IC SC371053AFTAEB	
FB303	1-500-238-22	FERRITE	OUI	IC641	8-759-576-28	IC NJM2533V(TE2)	
FB304	1-500-238-22	FERRITE	OUI	IC642	8-759-576-28	IC NJM2533V(TE2)	
FB401	1-500-238-22	FERRITE	OUI	IC643	8-759-534-25	IC AN2222FBQ-EB	
FB501	1-500-238-22	FERRITE	OUI	IC644	8-759-498-52	IC LA9511W-TBM	
FB502	1-500-284-21	INDUCTOR CHIP	OUI	IC701	8-759-566-17	IC AN2902FHQ-EB	
FB503	1-500-284-21	INDUCTOR CHIP	OUI	IC702	8-759-566-19	IC AK4518-VF-E2	
FB504	1-500-238-22	FERRITE	OUI	IC760	8-752-089-62	IC CXA2087R-T6 (TRV110E/TRV210E/TRV310E/TR7000E/TR7100E)	
FB505	1-500-238-22	FERRITE	OUI	IC760	8-759-529-58	IC AN2982FH-A-EB (EXCEPT:TRV110E/TRV210E/TRV310E/TR7000E/TR7100E)	
FB506	1-500-238-22	FERRITE	OUI				
FB507	1-500-284-21	INDUCTOR CHIP	OUI				
FB508	1-500-284-21	INDUCTOR CHIP	OUI				

VC-213

Ref. No.	Part No.	Description	Remarks	Ref. No.	Part No.	Description	Remarks
IC801	8-759-589-54	IC S579604PZ-TEB				< TRANSISTOR >	
IC802	8-759-424-79	IC S-8423YFS-T2					
IC803	8-759-536-72	IC TL1596CPWR		Q101	8-729-037-53	TRANSISTOR 2SA1832F-Y/GR(TPL3)	
IC901	8-759-445-94	IC AK6480AM-E2		Q102	8-729-042-29	TRANSISTOR RN1104F(TPL3)	
IC902	8-759-579-24	IC MB91191RPF-G-133-BND-ER		Q103	8-729-037-52	TRANSISTOR 2SC4738F-Y/GR(TPL3)	
		< COIL >		Q104	8-729-042-29	TRANSISTOR RN1104F(TPL3)	
				Q105	8-729-042-29	TRANSISTOR RN1104F(TPL3)	
L103	1-414-754-11	INDUCTOR	10uH	Q106	8-729-037-53	TRANSISTOR 2SA1832F-Y/GR(TPL3)	
L104	1-414-754-11	INDUCTOR	10uH	Q107	8-729-037-53	TRANSISTOR 2SA1832F-Y/GR(TPL3)	
L105	1-414-754-11	INDUCTOR	10uH	Q108	8-729-047-19	TRANSISTOR 2SA1965-S-TL	
L106	1-412-066-21	INDUCTOR CHIP	220uH	Q109	8-729-037-52	TRANSISTOR 2SC4738F-Y/GR(TPL3)	
L107	1-412-952-11	INDUCTOR	12uH	Q110	8-729-037-52	TRANSISTOR 2SC4738F-Y/GR(TPL3)	
L162	1-414-754-11	INDUCTOR	10uH	Q111	8-729-037-52	TRANSISTOR 2SC4738F-Y/GR(TPL3)	
L163	1-412-960-21	INDUCTOR	56uH	Q112	8-729-037-52	TRANSISTOR 2SC4738F-Y/GR(TPL3)	
L201	1-412-066-21	INDUCTOR CHIP	220uH	Q113	8-729-047-19	TRANSISTOR 2SA1965-S-TL	
L202	1-412-957-11	INDUCTOR	33uH	Q114	8-729-047-19	TRANSISTOR 2SA1965-S-TL	
L204	1-412-280-31	INDUCTOR	330uH	Q115	8-729-037-52	TRANSISTOR 2SC4738F-Y/GR(TPL3)	
L205	1-410-657-21	INDUCTOR CHIP	180uH	Q166	8-729-037-53	TRANSISTOR 2SA1832F-Y/GR(TPL3)	
L206	1-412-956-21	INDUCTOR	27uH	Q167	8-729-037-52	TRANSISTOR 2SC4738F-Y/GR(TPL3)	
L208	1-412-951-11	INDUCTOR	10uH	Q170	8-729-402-81	TRANSISTOR XN4501-TW	
L209	1-412-279-31	INDUCTOR	270uH	Q201	8-729-037-52	TRANSISTOR 2SC4738F-Y/GR(TPL3)	
L211	1-414-754-11	INDUCTOR	10uH	Q202	8-729-037-52	TRANSISTOR 2SC4738F-Y/GR(TPL3)	
L212	1-414-080-11	INDUCTOR	22uH	Q203	8-729-037-52	TRANSISTOR 2SC4738F-Y/GR(TPL3)	
L251	1-414-754-11	INDUCTOR	10uH	Q204	8-729-037-89	TRANSISTOR 2SC4627J-C(K8).SO	
L252	1-414-754-11	INDUCTOR	10uH	Q205	8-729-047-19	TRANSISTOR 2SA1965-S-TL	
L253	1-414-754-11	INDUCTOR	10uH	Q206	8-729-037-53	TRANSISTOR 2SA1832F-Y/GR(TPL3)	
L254	1-414-754-11	INDUCTOR	10uH	Q208	8-729-042-29	TRANSISTOR RN1104F(TPL3)	
L255	1-414-754-11	INDUCTOR	10uH	Q209	8-729-037-52	TRANSISTOR 2SC4738F-Y/GR(TPL3)	
L256	1-412-955-11	INDUCTOR	22uH	Q210	8-729-037-53	TRANSISTOR 2SA1832F-Y/GR(TPL3)	
L257	1-412-945-11	INDUCTOR	3.3uH	Q213	8-729-042-29	TRANSISTOR RN1104F(TPL3)	
L258	1-414-406-11	INDUCTOR	220uH	Q213	8-729-037-74	TRANSISTOR UN9213J-(K8).SO	
L291	1-414-754-11	INDUCTOR	10uH	Q214	8-729-037-52	TRANSISTOR 2SC4738F-Y/GR(TPL3)	
L301	1-414-245-11	INDUCTOR	1.5uH	Q215	8-729-037-52	TRANSISTOR 2SC4738F-Y/GR(TPL3)	
L351	1-414-754-11	INDUCTOR	10uH	Q216	8-729-230-72	TRANSISTOR 2SA1362-YG-EL	
L352	1-414-755-11	INDUCTOR	22uH	Q217	8-729-042-29	TRANSISTOR RN1104F(TPL3)	
L502	1-414-398-11	INDUCTOR	10uH	Q217	8-729-037-74	TRANSISTOR UN9213J-(K8).SO	
L503	1-414-754-11	INDUCTOR	10uH	Q218	8-729-042-29	TRANSISTOR RN1104F(TPL3)	
		(TRV110E/TRV210E/TRV310E/TR7000E/TR7100E)		Q251	8-729-037-52	TRANSISTOR 2SC4738F-Y/GR(TPL3)	
L551	1-414-754-11	INDUCTOR	10uH	Q252	8-729-042-29	TRANSISTOR RN1104F(TPL3)	
L552	1-414-398-11	INDUCTOR	10uH	Q253	8-729-037-53	TRANSISTOR 2SA1832F-Y/GR(TPL3)	
L553	1-414-754-11	INDUCTOR	10uH	Q254	8-729-037-52	TRANSISTOR 2SC4738F-Y/GR(TPL3)	
L601	1-414-754-11	INDUCTOR	10uH	Q255	8-729-037-53	TRANSISTOR 2SA1832F-Y/GR(TPL3)	
L602	1-414-754-11	INDUCTOR	10uH	Q351	8-729-037-52	TRANSISTOR 2SC4738F-Y/GR(TPL3)	
L603	1-412-948-11	INDUCTOR	5.6uH	Q352	8-729-037-52	TRANSISTOR 2SC4738F-Y/GR(TPL3)	
L604	1-412-942-21	INDUCTOR	1.8uH	Q353	8-729-037-52	TRANSISTOR 2SC4738F-Y/GR(TPL3)	
L605	1-412-948-11	INDUCTOR	5.6uH	Q354	8-729-037-52	TRANSISTOR 2SC4738F-Y/GR(TPL3)	
L606	1-412-950-11	INDUCTOR	8.2uH	Q355	8-729-037-52	TRANSISTOR 2SC4738F-Y/GR(TPL3)	
L607	1-412-950-11	INDUCTOR	8.2uH	Q356	8-729-037-52	TRANSISTOR 2SC4738F-Y/GR(TPL3)	
L641	1-414-754-11	INDUCTOR	10uH	Q452	8-729-037-53	TRANSISTOR 2SA1832F-Y/GR(TPL3)	
L642	1-414-754-11	INDUCTOR	10uH	Q453	8-729-037-53	TRANSISTOR 2SA1832F-Y/GR(TPL3)	
L643	1-412-957-11	INDUCTOR	33uH	Q454	8-729-037-52	TRANSISTOR 2SC4738F-Y/GR(TPL3)	
L644	1-412-957-11	INDUCTOR	33uH	Q455	8-729-042-29	TRANSISTOR RN1104F(TPL3)	
L645	1-412-948-11	INDUCTOR	5.6uH	Q456	8-729-042-29	TRANSISTOR RN1104F(TPL3)	
L701	1-414-754-11	INDUCTOR	10uH	Q457	8-729-042-29	TRANSISTOR RN1104F(TPL3)	
L702	1-414-754-11	INDUCTOR	10uH	Q551	8-729-037-52	TRANSISTOR 2SC4738F-Y/GR(TPL3)	
				Q552	8-729-037-52	TRANSISTOR 2SC4738F-Y/GR(TPL3)	
				Q553	8-729-037-53	TRANSISTOR 2SA1832F-Y/GR(TPL3)	

Ref. No.	Part No.	Description	Remarks	Ref. No.	Part No.	Description	Remarks
Q554	8-729-037-53	TRANSISTOR 2SA1832F-Y/GR(TPL3)		R113	1-218-990-11	SHORT 0	
Q601	8-729-807-86	TRANSISTOR 2SB1295-UL5-TB		R114	1-218-979-11	RES,CHIP	150K 5% 1/16W
Q602	8-729-037-76	TRANSISTOR UN9215J-(K8).SO		R115	1-218-989-11	RES,CHIP	1M 5% 1/16W
Q603	8-729-037-52	TRANSISTOR 2SC4738F-Y/GR(TPL3)		R116	1-218-966-11	RES,CHIP	12K 5% 1/16W
Q604	8-729-037-53	TRANSISTOR 2SA1832F-Y/GR(TPL3)		R117	1-218-965-11	RES,CHIP	10K 5% 1/16W
Q605	8-729-037-52	TRANSISTOR 2SC4738F-Y/GR(TPL3)		R118	1-218-949-11	RES,CHIP	470 5% 1/16W
Q606	8-729-037-52	TRANSISTOR 2SC4738F-Y/GR(TPL3)		R119	1-218-939-11	RES,CHIP	68 5% 1/16W
Q607	8-729-037-52	TRANSISTOR 2SC4738F-Y/GR(TPL3)		R120	1-218-966-11	RES,CHIP	12K 5% 1/16W
Q608	8-729-037-52	TRANSISTOR 2SC4738F-Y/GR(TPL3)		R121	1-218-961-11	RES,CHIP	4.7K 5% 1/16W
Q609	8-729-037-53	TRANSISTOR 2SA1832F-Y/GR(TPL3)		R122	1-218-965-11	RES,CHIP	10K 5% 1/16W
Q610	8-729-807-86	TRANSISTOR 2SB1295-UL5-TB		R123	1-218-990-11	SHORT 0	
Q641	8-729-040-77	TRANSISTOR 2SC5376-B(TE85L) (EXCEPT:TR7000E/TR7100E)		R124	1-218-969-11	RES,CHIP	22K 5% 1/16W
Q642	8-729-037-61	TRANSISTOR RN2104F(TPL3) (EXCEPT:TR7000E/TR7100E)		R125	1-220-195-11	RES,CHIP	11K 5% 1/16W
Q643	8-729-040-77	TRANSISTOR 2SC5376-B(TE85L) (EXCEPT:TR7000E/TR7100E)		R126	1-218-969-11	RES,CHIP	22K 5% 1/16W
Q644	8-729-040-77	TRANSISTOR 2SC5376-B(TE85L) (EXCEPT:TR7000E/TR7100E)		R127	1-208-715-11	RES,CHIP	22K 0.50% 1/16W
Q645	8-729-037-53	TRANSISTOR 2SA1832F-Y/GR(TPL3)		R128	1-218-969-11	RES,CHIP	22K 5% 1/16W
Q646	8-729-122-63	TRANSISTOR 2SA1226-T1E3E4		R129	1-218-969-11	RES,CHIP	22K 5% 1/16W
Q647	8-729-037-52	TRANSISTOR 2SC4738F-Y/GR(TPL3)		R130	1-218-973-11	RES,CHIP	47K 5% 1/16W
Q701	8-729-037-52	TRANSISTOR 2SC4738F-Y/GR(TPL3)		R131	1-218-974-11	RES,CHIP	56K 5% 1/16W
Q702	8-729-037-71	TRANSISTOR UN9210J-(K8).SO		R132	1-218-969-11	RES,CHIP	22K 5% 1/16W
Q703	8-729-037-52	TRANSISTOR 2SC4738F-Y/GR(TPL3)		R133	1-218-971-11	RES,CHIP	33K 5% 1/16W
Q704	8-729-037-52	TRANSISTOR 2SC4738F-Y/GR(TPL3)		R134	1-218-945-11	RES,CHIP	220 5% 1/16W
Q705	8-729-037-71	TRANSISTOR UN9210J-(K8).SO		R135	1-218-946-11	RES,CHIP	270 5% 1/16W
Q706	8-729-037-61	TRANSISTOR RN2104F(TPL3)		R136	1-218-945-11	RES,CHIP	220 5% 1/16W
Q707	8-729-037-52	TRANSISTOR 2SC4738F-Y/GR(TPL3)		R137	1-218-945-11	RES,CHIP	220 5% 1/16W
Q708	8-729-037-63	TRANSISTOR UN9115J-(K8).SO		R138	1-218-945-11	RES,CHIP	220 5% 1/16W
Q709	8-729-037-63	TRANSISTOR UN9115J-(K8).SO		R139	1-218-945-11	RES,CHIP	220 5% 1/16W
Q710	8-729-042-29	TRANSISTOR RN1104F(TPL3)		R140	1-218-957-11	RES,CHIP	2.2K 5% 1/16W
Q711	8-729-024-39	TRANSISTOR 2SD1511-R/S(TX)		R141	1-218-961-11	RES,CHIP	4.7K 5% 1/16W
Q801	8-729-042-29	TRANSISTOR RN1104F(TPL3)		R142	1-218-990-11	SHORT 0	
Q802	8-729-042-29	TRANSISTOR RN1104F(TPL3)		R143	1-218-941-11	RES,CHIP	100 5% 1/16W
Q803	8-729-037-52	TRANSISTOR 2SC4738F-Y/GR(TPL3) (EXCEPT:TR7000E/TR7100E)		R144	1-218-938-11	RES,CHIP	56 5% 1/16W
Q804	8-729-037-52	TRANSISTOR 2SC4738F-Y/GR(TPL3)		R145	1-218-950-11	RES,CHIP	560 5% 1/16W
Q805	8-729-041-43	TRANSISTOR HN1L02FU(TE85R)		R146	1-218-960-11	RES,CHIP	3.9K 5% 1/16W
Q806	8-729-042-58	TRANSISTOR UN9111J-(K8).SO		R147	1-218-960-11	RES,CHIP	3.9K 5% 1/16W
Q807	8-729-037-52	TRANSISTOR 2SC4738F-Y/GR(TPL3) (EXCEPT:TR7000E/TR7100E)		R148	1-218-965-11	RES,CHIP	10K 5% 1/16W
Q808	8-729-042-29	TRANSISTOR RN1104F(TPL3) (EXCEPT:TR7000E/TR7100E)		R149	1-218-965-11	RES,CHIP	10K 5% 1/16W
Q951	8-729-042-29	TRANSISTOR RN1104F(TPL3)		R150	1-218-965-11	RES,CHIP	10K 5% 1/16W
		< RESISTOR >		R151	1-218-960-11	RES,CHIP	3.9K 5% 1/16W
R101	1-218-990-11	SHORT 0		R152	1-218-960-11	RES,CHIP	3.9K 5% 1/16W
R102	1-218-931-11	RES,CHIP	15 5% 1/16W	R176	1-218-965-11	RES,CHIP	10K 5% 1/16W
R104	1-218-990-11	SHORT 0		R177	1-218-975-11	RES,CHIP	68K 5% 1/16W
R106	1-218-977-11	RES,CHIP	100K 5% 1/16W	R178	1-218-965-11	RES,CHIP	10K 5% 1/16W
R107	1-218-990-11	SHORT 0		R179	1-218-960-11	RES,CHIP	3.9K 5% 1/16W
R108	1-218-990-11	SHORT 0		R180	1-218-940-11	RES,CHIP	82 5% 1/16W
R109	1-218-990-11	SHORT 0		R181	1-218-948-11	RES,CHIP	390 5% 1/16W
R110	1-218-990-11	SHORT 0		R182	1-218-974-11	RES,CHIP	56K 5% 1/16W
R111	1-218-965-11	RES,CHIP	10K 5% 1/16W	R183	1-218-959-11	RES,CHIP	3.3K 5% 1/16W
R112	1-218-962-11	RES,CHIP	5.6K 5% 1/16W	R184	1-218-975-11	RES,CHIP	68K 5% 1/16W
				R185	1-218-969-11	RES,CHIP	22K 5% 1/16W
				R186	1-218-977-11	RES,CHIP	100K 5% 1/16W
				R187	1-218-977-11	RES,CHIP	100K 5% 1/16W
				R188	1-218-968-11	RES,CHIP	18K 5% 1/16W
				R189	1-218-986-11	RES,CHIP	560K 5% 1/16W
				R190	1-218-981-11	RES,CHIP	220K 5% 1/16W

VC-213

Ref. No.	Part No.	Description	Quantity	Unit	Percentage	Remarks	Ref. No.	Part No.	Description	Quantity	Unit	Percentage	Remarks
R191	1-218-985-11	RES,CHIP	470K		5%	1/16W	R270	1-216-828-11	METAL CHIP	3.9K		5%	1/16W
R192	1-218-965-11	RES,CHIP	10K		5%	1/16W	R272	1-218-989-11	RES,CHIP	1M		5%	1/16W
R195	1-218-969-11	RES,CHIP	22K		5%	1/16W	R274	1-218-967-11	RES,CHIP	15K		5%	1/16W
R201	1-208-677-11	RES,CHIP	560		0.50%	1/16W	R275	1-218-977-11	RES,CHIP	100K		5%	1/16W
R202	1-216-789-11	METAL CHIP	2.2		5%	1/16W	R277	1-218-967-11	RES,CHIP	15K		5%	1/16W
R203	1-218-965-11	RES,CHIP	10K		5%	1/16W	R278	1-218-965-11	RES,CHIP	10K		5%	1/16W
R204	1-218-969-11	RES,CHIP	22K		5%	1/16W	R279	1-218-953-11	RES,CHIP	1K		5%	1/16W
R207	1-218-957-11	RES,CHIP	2.2K		5%	1/16W	R280	1-218-977-11	RES,CHIP	100K		5%	1/16W
R208	1-218-957-11	RES,CHIP	2.2K		5%	1/16W	R281	1-218-977-11	RES,CHIP	100K		5%	1/16W
R209	1-218-949-11	RES,CHIP	470		5%	1/16W	R282	1-218-941-11	RES,CHIP	100		5%	1/16W
R210	1-218-990-11	SHORT	0				R283	1-218-990-11	SHORT	0			
R211	1-218-949-11	RES,CHIP	470		5%	1/16W	R284	1-218-989-11	RES,CHIP	1M		5%	1/16W
R212	1-208-707-11	RES,CHIP	10K		0.50%	1/16W	R285	1-218-985-11	RES,CHIP	470K		5%	1/16W
R214	1-218-948-11	RES,CHIP	390		5%	1/16W	R286	1-218-990-11	SHORT	0			
R215	1-218-947-11	RES,CHIP	330		5%	1/16W	R288	1-218-959-11	RES,CHIP	3.3K		5%	1/16W
R216	1-218-947-11	RES,CHIP	330		5%	1/16W	R289	1-218-946-11	RES,CHIP	270		5%	1/16W
R217	1-218-985-11	RES,CHIP	470K		5%	1/16W	R291	1-218-990-11	SHORT	0			
R219	1-218-945-11	RES,CHIP	220		5%	1/16W	R301	1-218-937-11	RES,CHIP	47		5%	1/16W
R220	1-218-965-11	RES,CHIP	10K		5%	1/16W	R302	1-218-961-11	RES,CHIP	4.7K		5%	1/16W
R221	1-218-952-11	RES,CHIP	820		5%	1/16W	R303	1-218-947-11	RES,CHIP	330		5%	1/16W
R222	1-218-953-11	RES,CHIP	1K		5%	1/16W	R304	1-218-965-11	RES,CHIP	10K		5%	1/16W
R226	1-218-985-11	RES,CHIP	470K		5%	1/16W	R305	1-218-965-11	RES,CHIP	10K		5%	1/16W
R227	1-218-947-11	RES,CHIP	330		5%	1/16W	R306	1-218-990-11	SHORT	0			
R228	1-218-965-11	RES,CHIP	10K		5%	1/16W	R307	1-218-947-11	RES,CHIP	330		5%	1/16W
R231	1-218-957-11	RES,CHIP	2.2K		5%	1/16W	R308	1-218-990-11	SHORT	0			
R232	1-218-971-11	RES,CHIP	33K		5%	1/16W	R309	1-218-990-11	SHORT	0			
R233	1-218-953-11	RES,CHIP	1K		5%	1/16W	R310	1-218-990-11	SHORT	0			
R234	1-218-950-11	RES,CHIP	560		5%	1/16W			(TRV110E/TRV210E/TRV310E/TR7000E/TR7100E)				
R235	1-218-960-11	RES,CHIP	3.9K		5%	1/16W	R311	1-218-990-11	SHORT	0			
R236	1-218-951-11	RES,CHIP	680		5%	1/16W	R312	1-218-990-11	SHORT	0			
R237	1-218-955-11	RES,CHIP	1.5K		5%	1/16W			(EXCEPT:TRV110E/TRV210E/TRV310E/TR7000E/TR7100E)				
R239	1-218-965-11	RES,CHIP	10K		5%	1/16W	R313	1-218-990-11	SHORT	0			
R240	1-218-958-11	RES,CHIP	2.7K		5%	1/16W			(TRV110E/TRV210E/TRV310E/TR7000E/TR7100E)				
R241	1-218-961-11	RES,CHIP	4.7K		5%	1/16W	R314	1-218-990-11	SHORT	0			
R242	1-218-961-11	RES,CHIP	4.7K		5%	1/16W			(EXCEPT:TRV110E/TRV210E/TRV310E/TR7000E/TR7100E)				
R243	1-218-965-11	RES,CHIP	10K		5%	1/16W	R315	1-218-990-11	SHORT	0			
R251	1-218-965-11	RES,CHIP	10K		5%	1/16W	R317	1-218-990-11	SHORT	0			
R252	1-218-977-11	RES,CHIP	100K		5%	1/16W			(EXCEPT:TRV110E/TRV210E/TRV310E/TR7000E/TR7100E)				
R253	1-218-957-11	RES,CHIP	2.2K		5%	1/16W	R318	1-218-990-11	SHORT	0			
R254	1-218-965-11	RES,CHIP	10K		5%	1/16W			(TRV110E/TRV210E/TRV310E/TR7000E/TR7100E)				
R255	1-218-954-11	RES,CHIP	1.2K		5%	1/16W	R319	1-218-990-11	SHORT	0			
R256	1-218-955-11	RES,CHIP	1.5K		5%	1/16W			(EXCEPT:TRV110E/TRV210E/TRV310E/TR7000E/TR7100E)				
R257	1-218-962-11	RES,CHIP	5.6K		5%	1/16W	R320	1-218-990-11	SHORT	0			
R258	1-218-953-11	RES,CHIP	1K		5%	1/16W			(EXCEPT:TRV110E/TRV210E/TRV310E/TR7000E/TR7100E)				
R259	1-218-963-11	RES,CHIP	6.8K		5%	1/16W	R321	1-218-990-11	SHORT	0			
R260	1-218-954-11	RES,CHIP	1.2K		5%	1/16W	R322	1-218-990-11	SHORT	0			
R261	1-218-943-11	RES,CHIP	150		5%	1/16W			(TRV110E/TRV210E/TRV310E/TR7000E/TR7100E)				
R262	1-218-949-11	RES,CHIP	470		5%	1/16W	R323	1-218-990-11	SHORT	0			
R263	1-218-941-11	RES,CHIP	100		5%	1/16W			(TRV110E/TRV210E/TRV310E/TR7000E/TR7100E)				
R264	1-218-943-11	RES,CHIP	150		5%	1/16W	R324	1-218-990-11	SHORT	0			
R265	1-218-972-11	RES,CHIP	39K		5%	1/16W			(TRV110E/TRV210E/TRV310E/TR7000E/TR7100E)				
R266	1-218-952-11	RES,CHIP	820		5%	1/16W	R325	1-218-990-11	SHORT	0			
R267	1-218-977-11	RES,CHIP	100K		5%	1/16W			(EXCEPT:TRV110E/TRV210E/TRV310E/TR7000E/TR7100E)				
R268	1-218-959-11	RES,CHIP	3.3K		5%	1/16W	R326	1-218-990-11	SHORT	0			
R269	1-216-825-11	METAL CHIP	2.2K		5%	1/16W			(EXCEPT:TRV110E/TRV210E/TRV310E/TR7000E/TR7100E)				
							R327	1-218-849-11	RES,CHIP	1.2K		0.50%	1/16W
									(EXCEPT:TRV110E/TRV210E/TRV310E/TR7000E/TR7100E)				
							R328	1-218-849-11	RES,CHIP	1.2K		0.50%	1/16W
									(EXCEPT:TRV110E/TRV210E/TRV310E/TR7000E/TR7100E)				
							R329	1-218-990-11	SHORT	0			
									(EXCEPT:TRV110E/TRV210E/TRV310E/TR7000E/TR7100E)				

Ref. No.	Part No.	Description	Remarks	Ref. No.	Part No.	Description	Remarks
R330	1-208-709-11	RES,CHIP 12K 0.50% 1/16W (TRV110E/TRV210E/TRV310E/TR7000E/TR7100E)		R416	1-218-953-11	RES,CHIP 1K 5% 1/16W	
R331	1-208-703-11	RES,CHIP 6.8K 0.50% 1/16W (EXCEPT:TRV110E/TRV210E/TRV310E/TR7000E/TR7100E)		R417	1-218-961-11	RES,CHIP 4.7K 5% 1/16W	
R331	1-218-990-11	SHORT 0 (TRV110E/TRV210E/TRV310E/TR7000E/TR7100E)		R418	1-218-990-11	SHORT 0	
R332	1-218-990-11	SHORT 0 (TRV110E/TRV210E/TRV310E/TR7000E/TR7100E)		R419	1-218-977-11	RES,CHIP 100K 5% 1/16W	
R333	1-208-709-11	RES,CHIP 12K 0.50% 1/16W (TRV110E/TRV210E/TRV310E/TR7000E/TR7100E)		R422	1-218-990-11	SHORT 0	
R333	1-218-990-11	SHORT 0 (EXCEPT:TRV110E/TRV210E/TRV310E/TR7000E/TR7100E)		R423	1-218-990-11	SHORT 0	
R334	1-218-990-11	SHORT 0 (EXCEPT:TRV110E/TRV210E/TRV310E/TR7000E/TR7100E)		R424	1-218-965-11	RES,CHIP 10K 5% 1/16W	
R335	1-218-990-11	SHORT 0 (EXCEPT:TRV110E/TRV210E/TRV310E/TR7000E/TR7100E)		R425	1-218-965-11	RES,CHIP 10K 5% 1/16W	
R336	1-218-938-11	RES,CHIP 56 5% 1/16W		R426	1-218-977-11	RES,CHIP 100K 5% 1/16W	
R337	1-218-938-11	RES,CHIP 56 5% 1/16W		R427	1-218-977-11	RES,CHIP 100K 5% 1/16W	
R338	1-218-965-11	RES,CHIP 10K 5% 1/16W		R428	1-218-985-11	RES,CHIP 470K 5% 1/16W	
R339	1-218-938-11	RES,CHIP 56 5% 1/16W		R429	1-218-977-11	RES,CHIP 100K 5% 1/16W	
R340	1-218-965-11	RES,CHIP 10K 5% 1/16W		R430	1-218-943-11	RES,CHIP 150 5% 1/16W	
R341	1-218-938-11	RES,CHIP 56 5% 1/16W		R431	1-218-945-11	RES,CHIP 220 5% 1/16W	
R342	1-218-990-11	SHORT 0		R432	1-218-943-11	RES,CHIP 150 5% 1/16W	
R343	1-216-864-11	METAL CHIP 0 5% 1/16W		R433	1-218-945-11	RES,CHIP 220 5% 1/16W	
R352	1-218-990-11	SHORT 0		R441	1-218-967-11	RES,CHIP 15K 5% 1/16W (EXCEPT:TRV110E/TRV210E/TRV310E/TR7000E/TR7100E)	
R354	1-218-990-11	SHORT 0		R441	1-218-973-11	RES,CHIP 47K 5% 1/16W (TRV110E/TRV210E/TRV310E/TR7000E/TR7100E)	
R357	1-218-990-11	SHORT 0		R442	1-218-990-11	SHORT 0	
R358	1-218-990-11	SHORT 0		R443	1-218-871-11	RES,CHIP 10K 0.50% 1/16W	
R359	1-218-990-11	SHORT 0		R444	1-218-990-11	SHORT 0	
R360	1-218-955-11	RES,CHIP 1.5K 5% 1/16W		R451	1-217-671-11	METAL CHIP 1 5% 1/10W	
R361	1-218-959-11	RES,CHIP 3.3K 5% 1/16W		R452	1-217-671-11	METAL CHIP 1 5% 1/10W	
R362	1-218-959-11	RES,CHIP 3.3K 5% 1/16W		R453	1-217-671-11	METAL CHIP 1 5% 1/10W	
R363	1-218-949-11	RES,CHIP 470 5% 1/16W		R454	1-218-965-11	RES,CHIP 10K 5% 1/16W	
R364	1-218-949-11	RES,CHIP 470 5% 1/16W		R455	1-218-965-11	RES,CHIP 10K 5% 1/16W	
R365	1-218-951-11	RES,CHIP 680 5% 1/16W		R456	1-218-965-11	RES,CHIP 10K 5% 1/16W	
R366	1-218-952-11	RES,CHIP 820 5% 1/16W		R457	1-218-990-11	SHORT 0	
R367	1-218-951-11	RES,CHIP 680 5% 1/16W		R458	1-218-985-11	RES,CHIP 470K 5% 1/16W	
R368	1-218-947-11	RES,CHIP 330 5% 1/16W		R459	1-218-985-11	RES,CHIP 470K 5% 1/16W	
R369	1-218-961-11	RES,CHIP 4.7K 5% 1/16W		R460	1-218-985-11	RES,CHIP 470K 5% 1/16W	
R370	1-218-961-11	RES,CHIP 4.7K 5% 1/16W		R461	1-218-983-11	RES,CHIP 330K 5% 1/16W	
R371	1-218-961-11	RES,CHIP 4.7K 5% 1/16W		R462	1-218-977-11	RES,CHIP 100K 5% 1/16W	
R372	1-218-953-11	RES,CHIP 1K 5% 1/16W		R463	1-218-973-11	RES,CHIP 47K 5% 1/16W	
R373	1-218-957-11	RES,CHIP 2.2K 5% 1/16W		R464	1-218-965-11	RES,CHIP 10K 5% 1/16W	
R374	1-218-957-11	RES,CHIP 2.2K 5% 1/16W		R465	1-218-965-11	RES,CHIP 10K 5% 1/16W	
R375	1-218-965-11	RES,CHIP 10K 5% 1/16W		R466	1-218-973-11	RES,CHIP 47K 5% 1/16W	
R376	1-218-953-11	RES,CHIP 1K 5% 1/16W		R467	1-218-961-11	RES,CHIP 4.7K 5% 1/16W	
R401	1-218-985-11	RES,CHIP 470K 5% 1/16W		R468	1-218-965-11	RES,CHIP 10K 5% 1/16W	
R402	1-218-985-11	RES,CHIP 470K 5% 1/16W		R470	1-218-973-11	RES,CHIP 47K 5% 1/16W	
R403	1-218-977-11	RES,CHIP 100K 5% 1/16W		R471	1-218-946-11	RES,CHIP 270 5% 1/16W	
R404	1-218-977-11	RES,CHIP 100K 5% 1/16W		R472	1-218-968-11	RES,CHIP 18K 5% 1/16W	
R405	1-218-977-11	RES,CHIP 100K 5% 1/16W		R473	1-218-949-11	RES,CHIP 470 5% 1/16W	
R406	1-218-977-11	RES,CHIP 100K 5% 1/16W		R474	1-218-964-11	RES,CHIP 8.2K 5% 1/16W (TRV110E/TRV210E/TRV310E/TR7000E/TR7100E)	
R407	1-218-953-11	RES,CHIP 1K 5% 1/16W		R474	1-218-966-11	RES,CHIP 12K 5% 1/16W (EXCEPT:TRV110E/TRV210E/TRV310E/TR7000E/TR7100E)	
R408	1-218-953-11	RES,CHIP 1K 5% 1/16W		R475	1-218-968-11	RES,CHIP 18K 5% 1/16W	
R409	1-218-990-11	SHORT 0		R476	1-217-671-11	METAL CHIP 1 5% 1/10W	
R411	1-218-990-11	SHORT 0		R477	1-217-671-11	METAL CHIP 1 5% 1/10W	
R413	1-218-985-11	RES,CHIP 470K 5% 1/16W		R478	1-218-977-11	RES,CHIP 100K 5% 1/16W	
R414	1-218-971-11	RES,CHIP 33K 5% 1/16W		R479	1-218-959-11	RES,CHIP 3.3K 5% 1/16W	
				R480	1-218-961-11	RES,CHIP 4.7K 5% 1/16W	
				R481	1-216-023-00	METAL CHIP 82 5% 1/10W	
				R482	1-218-965-11	RES,CHIP 10K 5% 1/16W	
				R483	1-218-977-11	RES,CHIP 100K 5% 1/16W	
				R484	1-218-961-11	RES,CHIP 4.7K 5% 1/16W	

VC-213

Ref. No.	Part No.	Description	Quantity	Unit	Power	Remarks	Ref. No.	Part No.	Description	Quantity	Unit	Power	Remarks
R485	1-218-965-11	RES,CHIP	10K		5%	1/16W	R544	1-218-990-11	SHORT	0			
R486	1-218-965-11	RES,CHIP	10K		5%	1/16W	R546	1-218-990-11	SHORT	0			
R487	1-218-981-11	RES,CHIP	220K		5%	1/16W			(EXCEPT:TRV110E/TRV210E/TRV310E/TR7000E/TR7100E)				
R488	1-218-981-11	RES,CHIP	220K		5%	1/16W	R547	1-218-941-11	RES,CHIP	100	5%	1/16W	
R489	1-218-965-11	RES,CHIP	10K		5%	1/16W			(TRV110E/TRV210E/TRV310E/TR7000E/TR7100E)				
R490	1-218-965-11	RES,CHIP	10K		5%	1/16W	R548	1-218-941-11	RES,CHIP	100	5%	1/16W	
R492	1-218-965-11	RES,CHIP	10K		5%	1/16W			(TRV110E/TRV210E/TRV310E/TR7000E/TR7100E)				
R493	1-218-977-11	RES,CHIP	100K		5%	1/16W	R549	1-216-864-11	METAL CHIP	0	5%	1/16W	
R494	1-218-961-11	RES,CHIP	4.7K		5%	1/16W	R552	1-216-295-91	SHORT	0			
R497	1-218-977-11	RES,CHIP	100K		5%	1/16W	R553	1-218-953-11	RES,CHIP	1K	5%	1/16W	
R498	1-218-990-11	SHORT	0				R554	1-218-929-11	RES,CHIP	10	5%	1/16W	
R499	1-218-990-11	SHORT	0				R555	1-218-957-11	RES,CHIP	2.2K	5%	1/16W	
R501	1-216-864-11	METAL CHIP	0		5%	1/16W	R556	1-218-965-11	RES,CHIP	10K	5%	1/16W	
R502	1-216-864-11	METAL CHIP	0		5%	1/16W	R557	1-218-981-11	RES,CHIP	220K	5%	1/16W	
R503	1-218-977-11	RES,CHIP	100K		5%	1/16W	R558	1-218-985-11	RES,CHIP	470K	5%	1/16W	
R504	1-218-990-11	SHORT	0				R559	1-218-985-11	RES,CHIP	470K	5%	1/16W	
R505	1-218-941-11	RES,CHIP	100		5%	1/16W	R560	1-218-957-11	RES,CHIP	2.2K	5%	1/16W	
R506	1-218-941-11	RES,CHIP	100		5%	1/16W	R561	1-218-967-11	RES,CHIP	15K	5%	1/16W	
R507	1-218-989-11	RES,CHIP	1M		5%	1/16W	R562	1-218-985-11	RES,CHIP	470K	5%	1/16W	
R509	1-218-990-11	SHORT	0				R563	1-218-953-11	RES,CHIP	1K	5%	1/16W	
R511	1-218-990-11	SHORT	0				R564	1-218-953-11	RES,CHIP	1K	5%	1/16W	
R512	1-218-985-11	RES,CHIP	470K		5%	1/16W	R565	1-218-947-11	RES,CHIP	330	5%	1/16W	
R513	1-218-990-11	SHORT	0				R566	1-218-953-11	RES,CHIP	1K	5%	1/16W	
R514	1-218-990-11	SHORT	0				R567	1-218-989-11	RES,CHIP	1M	5%	1/16W	
R515	1-218-990-11	SHORT	0				R568	1-218-965-11	RES,CHIP	10K	5%	1/16W	
R519	1-216-864-11	METAL CHIP	0		5%	1/16W	R569	1-218-969-11	RES,CHIP	22K	5%	1/16W	
R520	1-218-990-11	SHORT	0				R570	1-218-969-11	RES,CHIP	22K	5%	1/16W	
		(EXCEPT:TRV110E/TRV210E/TRV310E/TR7000E/TR7100E)					R571	1-218-973-11	RES,CHIP	47K	5%	1/16W	
R521	1-218-990-11	SHORT	0				R572	1-218-975-11	RES,CHIP	68K	5%	1/16W	
R523	1-218-933-11	RES,CHIP	22		5%	1/16W	R573	1-218-975-11	RES,CHIP	68K	5%	1/16W	
		(TRV110E/TRV210E/TRV310E/TR7000E/TR7100E)					R574	1-218-961-11	RES,CHIP	4.7K	5%	1/16W	
R525	1-218-990-11	SHORT	0				R575	1-218-961-11	RES,CHIP	4.7K	5%	1/16W	
		(EXCEPT:TRV110E/TRV210E/TRV310E/TR7000E/TR7100E)					R576	1-218-973-11	RES,CHIP	47K	5%	1/16W	
R526	1-218-990-11	SHORT	0				R577	1-218-953-11	RES,CHIP	1K	5%	1/16W	
		(EXCEPT:TRV110E/TRV210E/TRV310E/TR7000E/TR7100E)					R601	1-218-973-11	RES,CHIP	47K	5%	1/16W	
R530	1-218-990-11	SHORT	0				R602	1-218-965-11	RES,CHIP	10K	5%	1/16W	
		(EXCEPT:TRV110E/TRV210E/TRV310E/TR7000E/TR7100E)					R603	1-218-953-11	RES,CHIP	1K	5%	1/16W	
R531	1-218-990-11	SHORT	0				R604	1-218-959-11	RES,CHIP	3.3K	5%	1/16W	
		(EXCEPT:TRV110E/TRV210E/TRV310E/TR7000E/TR7100E)					R605	1-218-957-11	RES,CHIP	2.2K	5%	1/16W	
R532	1-218-990-11	SHORT	0				R607	1-218-979-11	RES,CHIP	150K	5%	1/16W	
		(EXCEPT:TRV110E/TRV210E/TRV310E/TR7000E/TR7100E)					R608	1-218-959-11	RES,CHIP	3.3K	5%	1/16W	
R533	1-218-990-11	SHORT	0				R609	1-218-965-11	RES,CHIP	10K	5%	1/16W	
		(EXCEPT:TRV110E/TRV210E/TRV310E/TR7000E/TR7100E)					R610	1-218-953-11	RES,CHIP	1K	5%	1/16W	
R534	1-218-990-11	SHORT	0				R611	1-218-941-11	RES,CHIP	100	5%	1/16W	
		(EXCEPT:TRV110E/TRV210E/TRV310E/TR7000E/TR7100E)					R612	1-218-957-11	RES,CHIP	2.2K	5%	1/16W	
R535	1-218-990-11	SHORT	0				R613	1-218-977-11	RES,CHIP	100K	5%	1/16W	
		(EXCEPT:TRV110E/TRV210E/TRV310E/TR7000E/TR7100E)					R614	1-218-989-11	RES,CHIP	1M	5%	1/16W	
R536	1-218-990-11	SHORT	0				R615	1-218-977-11	RES,CHIP	100K	5%	1/16W	
		(EXCEPT:TRV110E/TRV210E/TRV310E/TR7000E/TR7100E)					R616	1-218-977-11	RES,CHIP	100K	5%	1/16W	
R537	1-218-990-11	SHORT	0				R617	1-218-965-11	RES,CHIP	10K	5%	1/16W	
		(EXCEPT:TRV110E/TRV210E/TRV310E/TR7000E/TR7100E)					R618	1-218-965-11	RES,CHIP	10K	5%	1/16W	
R538	1-218-990-11	SHORT	0				R619	1-218-977-11	RES,CHIP	100K	5%	1/16W	
		(EXCEPT:TRV110E/TRV210E/TRV310E/TR7000E/TR7100E)					R620	1-218-950-11	RES,CHIP	560	5%	1/16W	
R539	1-218-990-11	SHORT	0				R621	1-218-990-11	SHORT	0			
		(EXCEPT:TRV110E/TRV210E/TRV310E/TR7000E/TR7100E)					R623	1-218-952-11	RES,CHIP	820	5%	1/16W	
R540	1-218-990-11	SHORT	0				R624	1-218-965-11	RES,CHIP	10K	5%	1/16W	
		(EXCEPT:TRV110E/TRV210E/TRV310E/TR7000E/TR7100E)					R625	1-218-944-11	RES,CHIP	180	5%	1/16W	
R541	1-218-990-11	SHORT	0				R626	1-218-944-11	RES,CHIP	180	5%	1/16W	
		(EXCEPT:TRV110E/TRV210E/TRV310E/TR7000E/TR7100E)											
R542	1-218-990-11	SHORT	0										
		(EXCEPT:TRV110E/TRV210E/TRV310E/TR7000E/TR7100E)											
R543	1-218-990-11	SHORT	0										
		(TRV110E/TRV210E/TRV310E/TR7000E/TR7100E)											

Ref. No.	Part No.	Description	Remarks	Ref. No.	Part No.	Description	Remarks
R641	1-218-973-11	RES,CHIP	47K 5% 1/16W	R711	1-218-935-11	RES,CHIP	33 5% 1/16W
R642	1-218-973-11	RES,CHIP	47K 5% 1/16W	R712	1-218-957-11	RES,CHIP	2.2K 5% 1/16W
R643	1-218-969-11	RES,CHIP	22K 5% 1/16W	R713	1-218-953-11	RES,CHIP	1K 5% 1/16W
R644	1-218-961-11	RES,CHIP	4.7K 5% 1/16W	R714	1-218-965-11	RES,CHIP	10K 5% 1/16W
R645	1-218-961-11	RES,CHIP	4.7K 5% 1/16W	R715	1-218-965-11	RES,CHIP	10K 5% 1/16W
R646	1-218-965-11	RES,CHIP	10K 5% 1/16W	R716	1-218-953-11	RES,CHIP	1K 5% 1/16W
R647	1-218-967-11	RES,CHIP	15K 5% 1/16W	R717	1-218-973-11	RES,CHIP	47K 5% 1/16W
R648	1-218-965-11	RES,CHIP	10K 5% 1/16W	R718	1-218-973-11	RES,CHIP	47K 5% 1/16W
R650	1-218-989-11	RES,CHIP	1M 5% 1/16W	R719	1-218-965-11	RES,CHIP	10K 5% 1/16W
R651	1-218-969-11	RES,CHIP	22K 5% 1/16W	R720	1-218-965-11	RES,CHIP	10K 5% 1/16W
R652	1-218-953-11	RES,CHIP	1K 5% 1/16W	R721	1-218-973-11	RES,CHIP	47K 5% 1/16W
R653	1-208-715-11	RES,CHIP	22K 0.50% 1/16W	R722	1-218-953-11	RES,CHIP	1K 5% 1/16W
R654	1-218-947-11	RES,CHIP	330 5% 1/16W			(EXCEPT:TR7000/TR7000E/TR7100E)	
R655	1-218-953-11	RES,CHIP	1K 5% 1/16W	R724	1-218-953-11	RES,CHIP	1K 5% 1/16W
R656	1-218-953-11	RES,CHIP	1K 5% 1/16W			(EXCEPT:TR7000/TR7000E/TR7100E)	
R657	1-218-949-11	RES,CHIP	470 5% 1/16W	R725	1-218-969-11	RES,CHIP	22K 5% 1/16W
R659	1-218-965-11	RES,CHIP	10K 5% 1/16W			(EXCEPT:TR7000/TR7000E/TR7100E)	
			(EXCEPT:TR7000E/TR7100E)	R726	1-218-969-11	RES,CHIP	22K 5% 1/16W
						(EXCEPT:TR7000/TR7000E/TR7100E)	
R660	1-218-979-11	RES,CHIP	150K 5% 1/16W	R727	1-218-953-11	RES,CHIP	1K 5% 1/16W
R661	1-218-979-11	RES,CHIP	150K 5% 1/16W			(EXCEPT:TR7000/TR7000E/TR7100E)	
R662	1-218-969-11	RES,CHIP	22K 5% 1/16W	R728	1-218-949-11	RES,CHIP	470 5% 1/16W
R663	1-218-953-11	RES,CHIP	1K 5% 1/16W	R729	1-218-949-11	RES,CHIP	470 5% 1/16W
R664	1-218-950-11	RES,CHIP	560 5% 1/16W	R731	1-218-949-11	RES,CHIP	470 5% 1/16W
R665	1-218-963-11	RES,CHIP	6.8K 5% 1/16W	R732	1-218-949-11	RES,CHIP	470 5% 1/16W
R666	1-218-953-11	RES,CHIP	1K 5% 1/16W	R734	1-218-971-11	RES,CHIP	33K 5% 1/16W
R667	1-218-965-11	RES,CHIP	10K 5% 1/16W	R735	1-218-960-11	RES,CHIP	3.9K 5% 1/16W
R668	1-218-949-11	RES,CHIP	470 5% 1/16W	R760	1-218-990-11	SHORT 0	
R669	1-218-972-11	RES,CHIP	39K 5% 1/16W			(EXCEPT:TRV110E/TRV210E/TRV310E/TR7000E/TR7100E)	
R670	1-218-965-11	RES,CHIP	10K 5% 1/16W	R762	1-218-990-11	SHORT 0	
			(EXCEPT:TR7000E/TR7100E)			(EXCEPT:TRV110E/TRV210E/TRV310E/TR7000E/TR7100E)	
R671	1-218-949-11	RES,CHIP	470 5% 1/16W	R763	1-218-977-11	RES,CHIP	100K 5% 1/16W
R672	1-218-965-11	RES,CHIP	10K 5% 1/16W			(EXCEPT:TRV110E/TRV210E/TRV310E/TR7000E/TR7100E)	
			(EXCEPT:TR7000E/TR7100E)	R763	1-218-985-11	RES,CHIP	470K 5% 1/16W
						(TRV110E/TRV210E/TRV310E/TR7000E/TR7100E)	
R673	1-218-955-11	RES,CHIP	1.5K 5% 1/16W	R764	1-218-977-11	RES,CHIP	100K 5% 1/16W
R674	1-218-935-11	RES,CHIP	33 5% 1/16W			(EXCEPT:TRV110E/TRV210E/TRV310E/TR7000E/TR7100E)	
R675	1-218-935-11	RES,CHIP	33 5% 1/16W	R764	1-218-985-11	RES,CHIP	470K 5% 1/16W
R676	1-218-935-11	RES,CHIP	33 5% 1/16W			(TRV110E/TRV210E/TRV310E/TR7000E/TR7100E)	
R677	1-218-935-11	RES,CHIP	33 5% 1/16W	R765	1-218-990-11	SHORT 0	
						(TRV110E/TRV210E/TRV310E/TR7000E/TR7100E)	
R678	1-218-935-11	RES,CHIP	33 5% 1/16W	R766	1-218-977-11	RES,CHIP	100K 5% 1/16W
R679	1-218-935-11	RES,CHIP	33 5% 1/16W			(TRV110E/TRV210E/TRV310E/TR7000E/TR7100E)	
R680	1-218-949-11	RES,CHIP	470 5% 1/16W	R766	1-218-978-11	RES,CHIP	120K 5% 1/16W
R681	1-218-981-11	RES,CHIP	220K 5% 1/16W			(EXCEPT:TRV110E/TRV210E/TRV310E/TR7000E/TR7100E)	
R682	1-218-941-11	RES,CHIP	100 5% 1/16W	R767	1-218-977-11	RES,CHIP	100K 5% 1/16W
						(TRV110E/TRV210E/TRV310E/TR7000E/TR7100E)	
R684	1-218-961-11	RES,CHIP	4.7K 5% 1/16W	R767	1-218-978-11	RES,CHIP	120K 5% 1/16W
R685	1-218-961-11	RES,CHIP	4.7K 5% 1/16W			(EXCEPT:TRV110E/TRV210E/TRV310E/TR7000E/TR7100E)	
R686	1-218-989-11	RES,CHIP	1M 5% 1/16W	R768	1-208-715-11	RES,CHIP	22K 0.50% 1/16W
R687	1-218-937-11	RES,CHIP	47 5% 1/16W			(EXCEPT:TRV110E/TRV210E/TRV310E/TR7000E/TR7100E)	
R689	1-218-990-11	SHORT 0		R769	1-208-935-11	RES,CHIP	100K 0.50% 1/16W
						(TRV110E/TRV210E/TRV310E/TR7000E/TR7100E)	
R701	1-218-957-11	RES,CHIP	2.2K 5% 1/16W	R769	1-208-947-11	RES,CHIP	330K 0.50% 1/16W
R702	1-218-969-11	RES,CHIP	22K 5% 1/16W			(EXCEPT:TRV110E/TRV210E/TRV310E/TR7000E/TR7100E)	
R703	1-218-969-11	RES,CHIP	22K 5% 1/16W	R770	1-218-952-11	RES,CHIP	820 5% 1/16W
R704	1-218-957-11	RES,CHIP	2.2K 5% 1/16W	R801	1-218-985-11	RES,CHIP	470K 5% 1/16W
R705	1-218-973-11	RES,CHIP	47K 5% 1/16W	R802	1-218-953-11	RES,CHIP	1K 5% 1/16W
				R804	1-218-953-11	RES,CHIP	1K 5% 1/16W
						(EXCEPT:TR7000/TR7000E/TR7100E)	
R706	1-218-936-11	RES,CHIP	39 5% 1/16W				
R707	1-218-935-11	RES,CHIP	33 5% 1/16W				
R708	1-218-973-11	RES,CHIP	47K 5% 1/16W				
R709	1-218-957-11	RES,CHIP	2.2K 5% 1/16W				
R710	1-218-936-11	RES,CHIP	39 5% 1/16W				

VC-213

Ref. No.	Part No.	Description	Remarks	Ref. No.	Part No.	Description	Remarks
R805	1-218-953-11	RES,CHIP	1K 5% 1/16W (EXCEPT:TR7000/TR7000E/TR7100E)	R862	1-218-989-11	RES,CHIP	1M 5% 1/16W
R806	1-218-957-11	RES,CHIP	2.2K 5% 1/16W	R863	1-218-989-11	RES,CHIP	1M 5% 1/16W
R807	1-218-959-11	RES,CHIP	3.3K 5% 1/16W (TR7000/TR7000E/TR7100E)	R864	1-218-953-11	RES,CHIP	1K 5% 1/16W
R808	1-218-945-11	RES,CHIP	220 5% 1/16W	R865	1-218-953-11	RES,CHIP	1K 5% 1/16W
R809	1-218-977-11	RES,CHIP	100K 5% 1/16W	R866	1-218-973-11	RES,CHIP	47K 5% 1/16W
R810	1-218-961-11	RES,CHIP	4.7K 5% 1/16W	R867	1-218-985-11	RES,CHIP	470K 5% 1/16W
R811	1-218-973-11	RES,CHIP	47K 5% 1/16W (EXCEPT:TR7000/TR7000E/TR7100E)	R868	1-218-985-11	RES,CHIP	470K 5% 1/16W
R812	1-218-977-11	RES,CHIP	100K 5% 1/16W	R869	1-218-985-11	RES,CHIP	470K 5% 1/16W
R813	1-218-985-11	RES,CHIP	470K 5% 1/16W	R870	1-218-985-11	RES,CHIP	470K 5% 1/16W
R814	1-218-985-11	RES,CHIP	470K 5% 1/16W	R871	1-218-985-11	RES,CHIP	470K 5% 1/16W
R815	1-218-985-11	RES,CHIP	470K 5% 1/16W	R872	1-218-989-11	RES,CHIP	1M 5% 1/16W
R816	1-218-985-11	RES,CHIP	470K 5% 1/16W	R873	1-218-953-11	RES,CHIP	1K 5% 1/16W
R817	1-218-985-11	RES,CHIP	470K 5% 1/16W	R874	1-218-953-11	RES,CHIP	1K 5% 1/16W
R818	1-218-985-11	RES,CHIP	470K 5% 1/16W	R875	1-218-953-11	RES,CHIP	1K 5% 1/16W
R819	1-218-985-11	RES,CHIP	470K 5% 1/16W	R876	1-219-570-11	RES,CHIP	10M 5% 1/16W
R820	1-218-973-11	RES,CHIP	47K 5% 1/16W	R877	1-218-985-11	RES,CHIP	470K 5% 1/16W
R821	1-218-977-11	RES,CHIP	100K 5% 1/16W	R878	1-218-985-11	RES,CHIP	470K 5% 1/16W
R822	1-218-985-11	RES,CHIP	470K 5% 1/16W	R879	1-218-977-11	RES,CHIP	100K 5% 1/16W
R823	1-218-965-11	RES,CHIP	10K 5% 1/16W	R880	1-218-977-11	RES,CHIP	100K 5% 1/16W
R824	1-218-958-11	RES,CHIP	2.7K 5% 1/16W	R881	1-218-977-11	RES,CHIP	100K 5% 1/16W
R825	1-218-953-11	RES,CHIP	1K 5% 1/16W	R882	1-218-985-11	RES,CHIP	470K 5% 1/16W
R826	1-218-953-11	RES,CHIP	1K 5% 1/16W	R883	1-218-949-11	RES,CHIP	470 5% 1/16W
R827	1-218-953-11	RES,CHIP	1K 5% 1/16W	R884	1-218-953-11	RES,CHIP	1K 5% 1/16W (EXCEPT:TR7000/TR7000E/TR7100E)
R828	1-218-953-11	RES,CHIP	1K 5% 1/16W	R885	1-218-953-11	RES,CHIP	1K 5% 1/16W (EXCEPT:TR7000/TR7000E/TR7100E)
R829	1-218-953-11	RES,CHIP	1K 5% 1/16W	R886	1-218-953-11	RES,CHIP	1K 5% 1/16W (EXCEPT:TR7000/TR7000E/TR7100E)
R830	1-218-953-11	RES,CHIP	1K 5% 1/16W	R887	1-218-953-11	RES,CHIP	1K 5% 1/16W
R831	1-218-953-11	RES,CHIP	1K 5% 1/16W	R888	1-218-985-11	RES,CHIP	470K 5% 1/16W
R832	1-218-985-11	RES,CHIP	470K 5% 1/16W	R889	1-218-953-11	RES,CHIP	1K 5% 1/16W
R833	1-218-989-11	RES,CHIP	1M 5% 1/16W	R890	1-218-985-11	RES,CHIP	470K 5% 1/16W
R834	1-208-943-11	RES,CHIP	220K 0.50% 1/16W	R891	1-218-985-11	RES,CHIP	470K 5% 1/16W
R835	1-208-943-11	RES,CHIP	220K 0.50% 1/16W	R893	1-218-953-11	RES,CHIP	1K 5% 1/16W
R836	1-218-985-11	RES,CHIP	470K 0.50% 1/16W	R894	1-218-953-11	RES,CHIP	1K 5% 1/16W (EXCEPT:TR7000/TR7000E/TR7100E)
R837	1-218-985-11	RES,CHIP	470K 0.50% 1/16W	R895	1-218-977-11	RES,CHIP	100K 5% 1/16W
R838	1-218-977-11	RES,CHIP	100K 5% 1/16W	R896	1-218-941-11	RES,CHIP	100 5% 1/16W
R839	1-218-977-11	RES,CHIP	100K 5% 1/16W	R901	1-218-953-11	RES,CHIP	1K 5% 1/16W
R840	1-218-977-11	RES,CHIP	100K 5% 1/16W	R902	1-218-977-11	RES,CHIP	100K 5% 1/16W
R843	1-218-953-11	RES,CHIP	1K 5% 1/16W	R903	1-218-977-11	RES,CHIP	100K 5% 1/16W
R844	1-218-953-11	RES,CHIP	1K 5% 1/16W	R904	1-218-977-11	RES,CHIP	100K 5% 1/16W
R845	1-218-953-11	RES,CHIP	1K 5% 1/16W	R905	1-218-977-11	RES,CHIP	100K 5% 1/16W
R846	1-218-953-11	RES,CHIP	1K 5% 1/16W	R906	1-218-961-11	RES,CHIP	4.7K 5% 1/16W
R847	1-218-953-11	RES,CHIP	1K 5% 1/16W	R907	1-218-957-11	RES,CHIP	2.2K 5% 1/16W
R848	1-218-977-11	RES,CHIP	100K 5% 1/16W	R908	1-218-969-11	RES,CHIP	22K 5% 1/16W
R849	1-218-953-11	RES,CHIP	1K 5% 1/16W	R909	1-218-969-11	RES,CHIP	22K 5% 1/16W
R850	1-218-953-11	RES,CHIP	1K 5% 1/16W	R910	1-218-977-11	RES,CHIP	100K 5% 1/16W
R851	1-218-953-11	RES,CHIP	1K 5% 1/16W	R911	1-218-957-11	RES,CHIP	2.2K 5% 1/16W
R852	1-218-989-11	RES,CHIP	1M 5% 1/16W	R912	1-218-965-11	RES,CHIP	10K 5% 1/16W
R853	1-218-989-11	RES,CHIP	1M 5% 1/16W	R913	1-218-965-11	RES,CHIP	10K 5% 1/16W
R854	1-218-989-11	RES,CHIP	1M 5% 1/16W	R914	1-218-977-11	RES,CHIP	100K 5% 1/16W
R855	1-218-989-11	RES,CHIP	1M 5% 1/16W	R915	1-218-973-11	RES,CHIP	47K 5% 1/16W
R856	1-218-989-11	RES,CHIP	1M 5% 1/16W	R916	1-218-977-11	RES,CHIP	100K 5% 1/16W
R857	1-218-989-11	RES,CHIP	1M 5% 1/16W	R917	1-218-977-11	RES,CHIP	100K 5% 1/16W
R858	1-218-989-11	RES,CHIP	1M 5% 1/16W	R918	1-218-985-11	RES,CHIP	470K 5% 1/16W
R859	1-218-953-11	RES,CHIP	1K 5% 1/16W	R919	1-218-985-11	RES,CHIP	470K 5% 1/16W
R860	1-218-989-11	RES,CHIP	1M 5% 1/16W	R920	1-218-973-11	RES,CHIP	47K 5% 1/16W
R861	1-218-953-11	RES,CHIP	1K 5% 1/16W	R921	1-218-973-11	RES,CHIP	47K 5% 1/16W

VF-126

VF-129

Ref. No.	Part No.	Description	Remarks
C4622	1-162-970-11	CERAMIC CHIP 0.01uF 10%	25V
C4623	1-109-982-11	CERAMIC CHIP 1uF 10%	10V
C4626	1-107-682-11	CERAMIC CHIP 1uF 10%	16V
C4801	1-162-970-11	CERAMIC CHIP 0.01uF 10%	25V
C4802	1-113-642-11	TANTAL. CHIP 47uF 20%	10V
C4803	1-115-566-11	CERAMIC CHIP 4.7uF 10%	10V
△C4804	1-115-464-91	CERAMIC CHIP 0.0022uF 10%	630V
< CONNECTOR >			
CN4501	1-766-350-21	CONNECTOR, FFC/FPC 20P	
CN4602	1-573-356-21	CONNECTOR, FFC/FPC 16P	
< DIODE >			
D4601	8-713-102-80	DIODE 1T369-01-T8A	
D4602	8-719-043-70	DIODE MA6S121-(TX)	
△D4802	8-719-056-49	DIODE 1SS370(TE85L)	
< IC >			
IC4501	8-759-546-65	IC CXA8115AR-T4	
IC4502	8-759-364-05	IC M62376GP-65AD	
IC4601	8-759-097-75	IC MB3789PFV-G-BND-ER	
IC4602	8-752-392-33	IC CXD2458AR-T4	
IC4603	8-759-580-26	IC NJM2130F(TE2)	
< COIL >			
L4501	1-414-754-11	INDUCTOR 10uH	
L4502	1-414-756-11	INDUCTOR 47uH	
L4601	1-414-756-11	INDUCTOR 47uH	
L4602	1-414-756-11	INDUCTOR 47uH	
L4603	1-412-949-21	INDUCTOR 6.8uH	
L4801	1-412-031-11	INDUCTOR CHIP 47uH	
L4802	1-412-029-11	INDUCTOR CHIP 10uH	
< FLUORESCENT INDICATOR >			
△ND4801	1-517-414-71	FLUORESCENT TUBE (0.55 INCH)	
< TRANSISTOR >			
Q4601	8-729-042-29	TRANSISTOR RN1104F(TPL3)	
Q4602	8-729-037-61	TRANSISTOR RN2104F(TPL3)	
Q4603	8-729-045-84	TRANSISTOR RN2105F(TPL3)	
△Q4801	8-729-039-24	TRANSISTOR FX216-TL1	
< RESISTOR >			
R4501	1-216-864-11	METAL CHIP 0 5%	1/16W
R4503	1-216-837-11	METAL CHIP 22K 5%	1/16W
R4504	1-216-837-11	METAL CHIP 22K 5%	1/16W
R4505	1-216-839-11	METAL CHIP 33K 5%	1/16W
R4509	1-216-843-11	METAL CHIP 68K 5%	1/16W
R4510	1-216-839-11	METAL CHIP 33K 5%	1/16W
R4511	1-216-840-11	METAL CHIP 39K 5%	1/16W
R4512	1-216-853-11	METAL CHIP 470K 5%	1/16W
R4513	1-216-840-11	METAL CHIP 39K 5%	1/16W
R4514	1-216-843-11	METAL CHIP 68K 5%	1/16W
R4515	1-216-839-11	METAL CHIP 33K 5%	1/16W
R4516	1-216-841-11	METAL CHIP 47K 5%	1/16W
R4517	1-216-840-11	METAL CHIP 39K 5%	1/16W
R4518	1-216-809-11	METAL CHIP 100 5%	1/16W
R4519	1-216-809-11	METAL CHIP 100 5%	1/16W

Ref. No.	Part No.	Description	Remarks
R4521	1-216-809-11	METAL CHIP 100 5%	1/16W
R4524	1-218-907-11	RES,CHIP 330K 0.50%	1/16W
R4525	1-218-877-11	RES,CHIP 18K 0.50%	1/16W
R4602	1-216-840-11	METAL CHIP 39K 5%	1/16W
R4604	1-216-835-11	METAL CHIP 15K 5%	1/16W
R4605	1-216-833-11	METAL CHIP 10K 5%	1/16W
R4606	1-218-901-11	RES,CHIP 180K 0.50%	1/16W
R4607	1-216-839-11	METAL CHIP 33K 5%	1/16W
R4608	1-216-822-11	METAL CHIP 1.2K 5%	1/16W
R4609	1-216-864-11	METAL CHIP 0 5%	1/16W
R4610	1-216-821-11	METAL CHIP 1K 5%	1/16W
R4611	1-216-843-11	METAL CHIP 68K 5%	1/16W
R4612	1-216-842-11	METAL CHIP 56K 5%	1/16W
R4615	1-216-864-11	METAL CHIP 0 5%	1/16W
R4616	1-218-887-11	RES,CHIP 47K 0.50%	1/16W
R4617	1-216-843-11	METAL CHIP 68K 5%	1/16W
R4618	1-216-850-11	METAL CHIP 270K 5%	1/16W
R4619	1-216-864-11	METAL CHIP 0 5%	1/16W
R4620	1-216-838-11	METAL CHIP 27K 5%	1/16W
R4621	1-216-833-11	METAL CHIP 10K 5%	1/16W
R4622	1-216-847-11	METAL CHIP 150K 5%	1/16W
R4623	1-216-841-11	METAL CHIP 47K 5%	1/16W
R4624	1-216-848-11	METAL CHIP 180K 5%	1/16W
R4625	1-216-840-11	METAL CHIP 39K 5%	1/16W
R4626	1-216-851-11	METAL CHIP 330K 5%	1/16W
R4627	1-216-850-11	METAL CHIP 270K 5%	1/16W
R4629	1-216-837-11	METAL CHIP 22K 5%	1/16W
R4630	1-216-853-11	METAL CHIP 470K 5%	1/16W
R4634	1-216-809-11	METAL CHIP 100 5%	1/16W
R4635	1-216-841-11	METAL CHIP 47K 5%	1/16W
R4636	1-216-845-11	METAL CHIP 100K 5%	1/16W
R4637	1-216-845-11	METAL CHIP 100K 5%	1/16W
R4801	1-216-839-11	METAL CHIP 33K 5%	1/16W
< TRANSFORMER >			
△T4801	1-426-848-51	TRANSFORMER, INVERTER	
A-7073-838-A VF-129(N) BOARD, COMPLETE (TRV103/TRV110/TRV110P/TRV203/TRV210/TRV310/TRV310P) *****			
A-7073-855-A VF-129(P) BOARD, COMPLETE (TRV110E/TRV210E/TRV310E) ***** (Ref.No.:6000 Series)			
< CAPACITOR >			
C901	1-107-854-11	TANTAL. CHIP 68uF 20%	6.3V
C902	1-163-038-91	CERAMIC CHIP 0.1uF	25V
C903	1-135-145-11	TANTALUM CHIP 0.47uF 10%	35V
C904	1-162-965-11	CERAMIC CHIP 0.0015uF 10%	50V
C905	1-104-752-11	TANTAL. CHIP 33uF 20%	6.3V
C906	1-162-638-11	CERAMIC CHIP 1uF	16V
C907	1-104-563-11	FILM CHIP 0.1uF 5%	16V
C908	1-162-920-11	CERAMIC CHIP 27PF 5%	50V
C909	1-163-009-11	CERAMIC CHIP 0.001uF 10%	50V
△C910	1-162-625-11	CERAMIC CHIP 0.0047uF 5%	50V

Note :

The components identified by mark △ or dotted line with mark △ are critical for safety. Replace only with part number specified.

Note :

Les composants identifiés par une marque △ sont critiques pour la sécurité. Ne les remplacer que par une pièce portant le numéro spécifié.

Ref. No.	Part No.	Description	Remarks	Ref. No.	Part No.	Description	Remarks
△ C911	1-164-715-11	CERAMIC CHIP	0.0068uF 5% 50V	R927	1-216-821-11	METAL CHIP	1K 5% 1/16W
C912	1-107-854-11	TANTAL. CHIP	68uF 20% 6.3V	R928	1-216-827-11	METAL CHIP	3.3K 5% 1/16W
C913	1-135-145-11	TANTALUM CHIP	0.47uF 10% 35V	R929	1-216-821-11	METAL CHIP	1K 5% 1/16W
C914	1-113-984-11	TANTAL. CHIP	1.5uF 20% 35V	R930	1-216-791-11	METAL CHIP	3.3 5% 1/16W
C915	1-163-037-11	CERAMIC CHIP	0.022uF 10% 25V	R931	1-217-671-11	METAL CHIP	1 5% 1/10W
C916	1-164-611-11	CERAMIC CHIP	0.001uF 10% 500V	R932	1-216-829-11	METAL CHIP	4.7K 5% 1/16W
		< CONNECTOR >				< VARIABLE RESISTOR >	
CN901	1-573-506-41	CONNECTOR, FPC (NON ZIF) 4P		RV903	1-238-852-11	RES, ADJ, CERMET 470	
* CN902	1-580-057-11	PIN, CONNECTOR (SMD) 4P		RV904	1-238-861-11	RES, ADJ, CERMET 470K	
		< DIODE >				< TRANSFORMER >	
D901	8-719-951-21	DIODE PR1102W-TR		△ T901	1-453-124-11	TRANSFORMER ASSY, FLYBACK	
D903	8-719-073-01	DIODE MA111-(K8).SO				< CRT SOCKET >	
		< IC >					
IC901	8-759-196-14	IC BA7149F-E2		△ W901	1-540-019-21	SOCKET ASSY, CRT	
		< COIL >					
L901	1-412-031-11	INDUCTOR CHIP	47uH			MISCELLANEOUS	
L902	1-410-387-11	INDUCTOR CHIP	33uH			*****	
△ L903	1-411-697-11	COIL, FERRITE (HLC)		7	1-673-118-21	FP-76 FLEXIBLE BOARD	
		< TRANSISTOR >		8	1-418-273-11	SWITCH BLOCK, CONTROL (MF-9500)	
Q901	8-729-230-63	TRANSISTOR 2SD1819A-QRS-TX		9	1-694-384-11	TERMINAL BOARD, BATTERY	
Q902	8-729-106-68	TRANSISTOR 2SD1615-T1GLGK		15	1-672-663-21	FP-49 FLEXIBLE BOARD	
Q903	8-729-216-31	TRANSISTOR 2SA1163G-TE85L		16	1-783-240-11	CABLE, FLEXIBLE FLAT (FFC-236)	
Q904	8-729-230-63	TRANSISTOR 2SD1819A-QRS-TX		19	1-673-119-11	FP-77 FLEXIBLE BOARD	
		< RESISTOR >		51	1-418-274-11	SWITCH BLOCK, CONTROL (PS-9500)	
R901	1-216-817-11	METAL CHIP	470 5% 1/16W	56	1-672-668-21	FP-62 FLEXIBLE BOARD	
R902	1-216-817-11	METAL CHIP	470 5% 1/16W	101	1-418-274-11	SWITCH BLOCK, CONTROL (PS-9500)	
R903	1-216-057-00	METAL CHIP	2.2K 5% 1/10W	103	1-672-668-21	FP-62 FLEXIBLE BOARD	
R904	1-216-833-11	METAL CHIP	10K 5% 1/16W	151	1-418-274-11	SWITCH BLOCK, CONTROL (PS-9500)	
R905	1-216-822-11	METAL CHIP	1.2K 5% 1/16W	153	1-672-668-21	FP-62 FLEXIBLE BOARD	
R906	1-216-823-11	METAL CHIP	1.5K 5% 1/16W	216	1-475-619-11	SWITCH BLOCK, CONTROL (SS-8500)	
R907	1-216-845-11	METAL CHIP	100K 5% 1/16W	222	1-469-364-11	FILTER, EMI (CS)	
R908	1-216-852-11	METAL CHIP	390K 5% 1/16W			(TRV110E:AEP,UK,EE,NE,RU/TRV210E:AEP,UK/ TRV310E:AEP,UK/TR7000E/TR7100E)	
R909	1-216-833-11	METAL CHIP	10K 5% 1/16W	224	1-475-617-51	SWITCH BLOCK, CONTROL (FK-8500)	
R910	1-216-835-11	METAL CHIP	15K 5% 1/16W			(TRV110E:AEP,UK,EE,NE,RU/TRV210E:AEP,UK/ TRV310E:AEP,UK/TR7000E/TR7100E)	
R911	1-216-160-00	RES,CHIP	27 5% 1/8W	224	1-475-617-71	SWITCH BLOCK, CONTROL (FK-8500)	
R912	1-216-857-11	METAL CHIP	1M 5% 1/16W			(EXCEPT:TRV110E:AEP,UK,EE,NE,RU/TRV210E:AEP,UK/ TRV310E:AEP,UK/TR7000E/TR7100E)	
R915	1-218-879-11	RES,CHIP	22K 0.50% 1/16W	226	1-672-672-11	FP-45 FLEXIBLE BOARD (TRV110:BR)	
		(EXCEPT:TRV110E/TRV210E/TRV310E)		226	1-672-672-21	FP-45 FLEXIBLE BOARD (EXCEPT:TRV110:BR)	
R916	1-218-881-11	RES,CHIP	27K 0.50% 1/16W	227	1-774-867-31	CONNECTOR,EXTERNAL (HOT SHOE) 8P	
		(TRV110E/TRV210E/TRV310E)		228	1-672-665-11	FP-54 FLEXIBLE BOARD	
R917	1-218-891-11	RES,CHIP	68K 0.50% 1/16W	231	1-673-120-11	FP-78 FLEXIBLE BOARD	
		(EXCEPT:TRV110E/TRV210E/TRV310E)		236	1-469-363-11	FILTER, EMI (MD)	
R917	1-218-893-11	RES,CHIP	82K 0.50% 1/16W			(TRV110E:AEP,UK,EE,NE,RU/TRV210E:AEP,UK/ TRV310E:AEP,UK/TR7000E/TR7100E)	
		(TRV110E/TRV210E/TRV310E)		254	1-959-310-11	HARNESS (DP-74)	
R918	1-216-829-11	METAL CHIP	4.7K 5% 1/16W			(TRV103/TRV110/TRV110E/TRV110P)	
R919	1-216-843-11	METAL CHIP	68K 5% 1/16W	256	1-668-963-21	FP-642 FLEXIBLE BOARD	
R920	1-216-837-11	METAL CHIP	22K 5% 1/16W			(TRV103/TRV110/TRV110E/TRV110P)	
R921	1-216-795-11	RES,CHIP	6.8 5% 1/16W	306	1-668-963-41	FP-642 FLEXIBLE BOARD	
						(TRV203/TRV210/TRV210E/TRV310/TRV310E/TRV310P/TRV315)	
R922	1-216-850-11	METAL CHIP	270K 5% 1/16W				
R923	1-216-857-11	METAL CHIP	1M 5% 1/16W				
R924	1-216-862-11	RES,CHIP	2.7M 5% 1/16W				
R925	1-216-862-11	RES,CHIP	2.7M 5% 1/16W				
R926	1-216-821-11	METAL CHIP	1K 5% 1/16W				

Note :
The components identified by mark △ or dotted line with mark △ are critical for safety. Replace only with part number specified.

Note :
Les composants identifiés par une marque △ sont critiques pour la sécurité. Ne les remplacer que par une pièce portant le numéro spécifié.

Ref. No.	Part No.	Description	Remarks	Ref. No.	Part No.	Description	Remarks
362	1-790-412-11	CABLE, FLEXIBLE FLAT (FFC-256) (EXCEPT:TRV315/TR7000/TR7000E/TR7100E)				ACCESSORIES *****	
410	1-672-662-11	FP-47 FLEXIBLE BOARD (TRV315/TR7000/TR7000E/TR7100E)					
460	1-758-155-21	FILTER BLOCK, OPTICAL (TRV110E/TRV210E/TRV310E/TR7000E/TR7100E)		△	1-475-141-61	REMOTE COMMANDER RMT-814	
460	1-758-216-21	FILTER BLOCK, OPTICAL (EXCEPT:TRV110E/TRV210E/TRV310E/TR7000E/TR7100E)			1-475-599-11	ADAPTOR, AC	
760	1-658-213-11	FP-355 FLEXIBLE BOARD			1-569-007-11	ADAPTOR, CONVERSION 2P (TRV110:JE/TRV310:JE/TRV310E:JE)	
762	1-657-786-13	FP-221 FLEXIBLE BOARD			1-569-008-21	ADAPTOR, CONVERSION 2P (TRV110:E,HK,BR/TRV110E:E,HK/TRV110P/ TRV310:E,HK/TRV310E:E,HK)	
764	1-658-214-11	FP-356 FLEXIBLE BOARD			1-573-291-11	ADAPTOR, CONVERSION 21PIN (TRV110E:AEP,UK,EE,NE,RU/TRV210E:AEP,UK/ TRV310E:AEP,UK/TR7000E/TR7100E)	
803	1-672-542-11	FP-38 FLEXIBLE BOARD					
817	1-657-784-11	FP-220 FLEXIBLE BOARD					
D001	8-719-988-42	DIODE GL453		△*	1-575-131-11	CORD, POWER (TRV110:BR)	
IC1401	A-7030-821-A	CCD BLOCK ASSY (CCD IMAGER) (EXCEPT:TRV110E/TRV210E/TR310E/TR7000E/TR7100E)		△*	1-769-608-11	CORD, POWER (TRV110:E/TRV110E:E/TRV110P/TRV310:E/ TRV310E:E/TRV310P)	
IC2401	A-7030-885-A	CCD BLOCK ASSY (CCD IMAGER) (TRV110E/TRV210E/TR310E/TR7000E/TR7100E)			1-575-334-11	AV CONNECTING CABLE (1.5M)	
J001	1-565-276-31	JACK, ULTRA SMALL 1P (LANC)		△	1-690-827-11	CORD SET, POWER (TRV110E:AEP,EE,NE,RU/TRV210E:AEP/ TRV310E:AEP/TR7000E:AEP/TR7100E)	
△LED901	1-517-866-11	LIGHT, BACK					
LCD901	1-803-355-21	MODULE, CRYSTAL INDICATION (TRV103/TRV110/TRV110E:E,HK,AUS,CN,JE/TRV110P)		△	1-696-819-11	CORD, POWER (TRV110E:AUS/TRV310E:AUS)	
LCD901	1-803-357-21	MODULE, CRYSTAL INDICATION (TRV110E:AEP,UK,EE,NE,RU)		△	1-775-843-21	CORD, POWER (WITH FILTER) (TRV110E:UK/TRV210E:UK/TRV310E:UK/TR7000E:UK)	
LCD901	1-803-032-21	MODULE, CRYSTAL INDICATION (TRV310/TRV310P)		△	1-782-476-11	CORD, POWER (TRV110E:CN/TRV210E:CN/TRV310E:CN)	
LCD901	1-803-359-21	MODULE, CRYSTAL INDICATION (TRV203/TRV210/TRV210E/TRV315)		△	1-783-374-11	CORD, POWER (TRV110:HK/TRV110E:HK/TRV310:HK/TRV310E:HK)	
LCD901	1-803-360-21	MODULE, CRYSTAL INDICATION (TRV310:US/TRV310E)		△	1-790-073-11	CORD, POWER 2P (TRV110E:JE/TRV310:JE/TRV310E:JE)	
M901	A-7048-904-A	DRUM BLOCK ASSY (DKH-01A-R)		△	1-790-107-22	CORD, POWER (TRV103/TRV110:US,CND/TRV203/TRV210/ TRV310:US/TRV315/TR7000)	
M902	8-835-635-01	MOTOR, DC SCE12A/C-NP (CAPSTAN)			3-054-045-01	VIDEO, HOW TO TAKE (TRV103:US/TRV110:US/TRV210:US/ TRV310:US/TRV315:US/TR7000:US)	
M903	X-3945-401-1	MOTOR ASSY, DC (LOADING)			3-742-854-01	LID, BATTERY CASE (for RMT-814)	
M905	1-763-262-11	MOTOR, FOCUS STEPPING			3-865-871-11	MANUAL, INSTRUCTION (ENGLISH) (TRV103/TRV110:US,CND)	
M906	1-763-046-11	MOTOR, ZOOM STEPPING			3-865-871-21	MANUAL, INSTRUCTION (FRENCH) (TRV103:CND/TRV110:CND)	
MIC901	1-542-312-11	MICROPHONE (L)			3-865-871-31	MANUAL, INSTRUCTION (ENGLISH) (TRV110:E,HK/TRV110P)	
MIC902	1-542-312-11	MICROPHONE (R)			3-865-871-41	MANUAL, INSTRUCTION (SPANISH/PORTUGUESE)(TRV110:E,HK/TRV110P)	
△ND901	1-517-751-31	TUBE, FLUORESCENT, COLD CATHODE (TRV103/TRV110/TRV110E:E,HK,AUS,CN,JE/TRV110P)			3-865-871-51	MANUAL, INSTRUCTION (TRADITIONAL CHINESE)(TRV110:E,HK/TRV110P)	
△ND901	1-517-751-41	TUBE, FLUORESCENT, COLD CATHODE (TRV110E:AEP,UK,EE,NE,RU)			3-865-871-61	MANUAL, INSTRUCTION (KOREAN) (TRV110:E/TRV110P)	
△ND901	1-517-855-11	TUBE, FLUORESCENT, COLD CATHODE (TRV310/TRV310E/TRV310P)			3-865-968-11	MANUAL, INSTRUCTION (ENGLISH/RUSSIAN) (TR7000E/TR7100E)	
△ND901	1-517-856-11	TUBE, FLUORESCENT, COLD CATHODE (TRV203/TRV210/TRV210E/TRV315)			3-865-968-21	MANUAL, INSTRUCTION (SPANISH/PORTUGUESE)(TR7000E:AEP/TR7100E)	
S001	1-692-614-11	SWITCH, PUSH (3KEY) (Hi8 MP,ME/MP,REC PROOF)					
S002	1-572-688-11	SWITCH, PUSH (1 KEY)(C.C.LOCK)					
S901	1-762-436-15	SWITCH, ROTARY (ENCODER)					
SP901	1-504-753-41	SPEAKER (2.8CM) (EXCEPT:TR7000/TR7000E/TR7100E)					
△V901	1-452-673-61	CRT ASSY (M01KXX90WB) (EXCEPT:TRV315/TR7000/TR7000E/TR7100E)					

Be sure to read "Precautions upon replacing CCD imager"
on page 4-11, 14 when changing the CCD imager.

Note :
The components identified by
mark △ or dotted line with mark
△ are critical for safety.
Replace only with part number
specified.

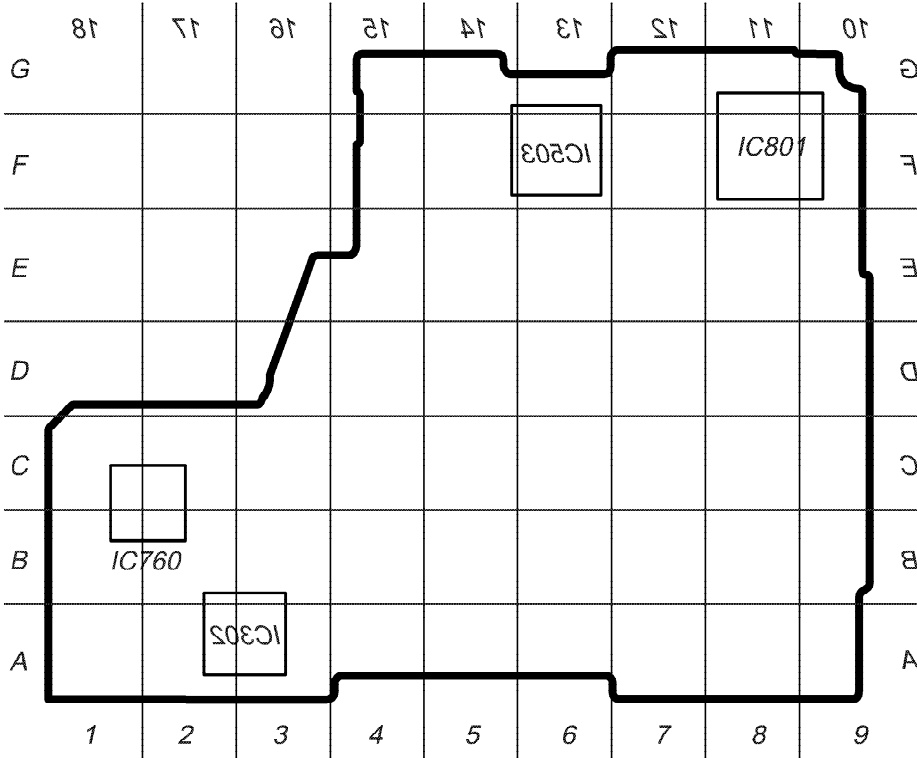
Note :
Les composants identifiés par
une marque △ sont critiques
pour la sécurité.
Ne les remplacer que par une
pièce portant le numéro spécifié.

<u>Ref. No.</u>	<u>Part No.</u>	<u>Description</u>	<u>Remarks</u>
	3-865-968-31	MANUAL, INSTRUCTION (GERMAN/ITALIAN) (TR7000E:AEP/TR7100E)	
	3-865-968-41	MANUAL, INSTRUCTION (DUTCH/FRENCH) (TR7000E:AEP/TR7100E)	
	3-865-969-11	MANUAL, INSTRUCTION (ENGLISH)(TR7000)	
	3-865-969-21	MANUAL, INSTRUCTION (FRENCH) (TR7000:CND)	
	3-865-970-11	MANUAL, INSTRUCTION(ENGLISH/RUSSIAN) (TRV110E:EE,NE,RU)	
	3-865-970-21	MANUAL, INSTRUCTION (SPANISH/PORTUGUESE)(TRV110E:AEP1)	
	3-865-970-31	MANUAL, INSTRUCTION (DUTCH/ITALIAN) (TRV110E:AEP2)	
	3-865-970-41	MANUAL, INSTRUCTION (ENGLISH/DUTCH) (TRV110E:AEP,UK)	
	3-865-970-51	MANUAL, INSTRUCTION (SWEDISH/POLISH) (TRV110E:EE,NE,RU)	
	3-865-971-11	MANUAL, INSTRUCTION (ENGLISH/RUSSIAN) (TRV110E:E,HK,AUS,CN,JE)	
	3-865-971-21	MANUAL, INSTRUCTION (FRENCH/GERMAN) (TRV110E:E,HK,JE)	
	3-865-971-31	MANUAL, INSTRUCTION (ARABIC/PERSIAN) (TRV110E:E)	
	3-865-971-41	MANUAL, INSTRUCTION (TRADITIONAL CHINESE)(TRV110E:HK)	
	3-865-971-51	MANUAL, INSTRUCTION (SIMPLIFIED CHINESE)(TRV110E:E,CN,JE)	
	3-865-972-11	MANUAL, INSTRUCTION (ENGLISH) (TRV203/TRV210/TRV310:US/TRV315)	
	3-865-972-21	MANUAL, INSTRUCTION (FRENCH) (TRV203/TRV210:CND/TRV315:CND)	
	3-865-972-31	MANUAL, INSTRUCTION (ENGLISH) (TRV310:E,HK,JE/TRV310P)	
	3-865-972-41	MANUAL, INSTRUCTION (SPANISH/PORTUGUESE)(TRV310:E,HK,JE/TRV310P)	
	3-865-972-51	MANUAL, INSTRUCTION (TRADITIONAL CHINESE)(TRV310:E/TRV310P)	
	3-865-972-61	MANUAL, INSTRUCTION (KOREAN) (TRV310:E/TRV310P)	
	3-865-972-71	MANUAL, INSTRUCTION (KOREAN) (TRV310:JE)	
	3-865-973-11	MANUAL, INSTRUCTION (ENGLISH) (TRV210E:AEP,UK/TRV310E:AEP,UK)	
	3-865-973-21	MANUAL, INSTRUCTION (SPANISH/PORTUGUESE)(TRV210E:AEP/TRV310E:AEP)	
	3-865-973-31	MANUAL, INSTRUCTION (DUTCH/ITALIAN) (TRV210E:AEP/TRV310E:AEP)	
	3-865-973-41	MANUAL, INSTRUCTION (FRENCH/DUTCH) (TRV210E:AEP/TRV310E:AEP)	
	3-865-974-11	MANUAL, INSTRUCTION (ENGLISH/RUSSIAN) (TRV210E:CN/TRV310E:E,HK,AUS,CN,JE)	
	3-865-974-21	MANUAL, INSTRUCTION (FRENCH/GERMAN) (TRV210E:CN/TRV310E:E,HK,CN,JE)	
	3-865-974-41	MANUAL, INSTRUCTION (TRADITIONAL CHINESE)(TRV210E:CN/TRV310E:E,HK,CN)	
	3-865-974-51	MANUAL, INSTRUCTION (SIMPLIFIED CHINESE)(TRV210E:CN/TRV310E:E,CN,JE)	
	3-987-015-01	BELT (S), SHOULDER	
	3-988-960-01	BAG (8500), CARRYING (TRV110P/TRV310P)	
	8-883-112-29	V8-6CLHSP	
	A-7094-140-A	NP-F330 BATTERY PACK (TRV103/TRV110:US,CND,E,HK/TRV110P/TRV203/TRV210/ TRV310/TRV310P/TRV315/TR7000)	
	A-7094-141-A	NP-F330 BATTERY PACK (TRV110:BR/TRV110E/TRV210E/TRV310E/TR7000E/TR7100E)	

<PARTS REFERENCE SHEET>

You can find the parts position of location of mount locations applying to VC-213 board of a set.

VC-213 DCR-TRV103/TRV110/TRV110E/TRV110P/TRV203/TRV210/
 TRV210E/TRV310/TRV310E/TRV310P/TRV315
 DCR-TR7000/TR7000E/TR7100E **SIDE A**

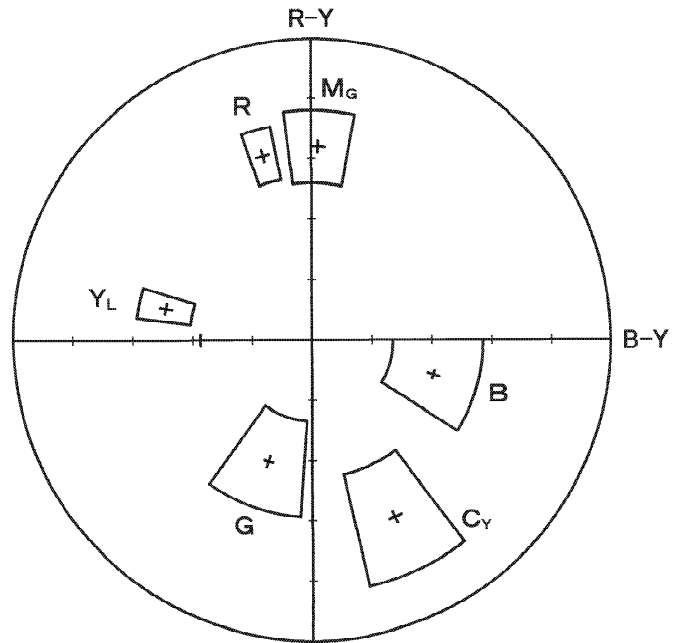


VC-213 DCR-TRV103/TRV110/TRV110E/TRV110P/TRV203/TRV210/
 TRV210E/TRV310/TRV310E/TRV310P/TRV315
 DCR-TR7000/TR7000E/TR7100E **SIDE B**



〈FOR CAMERA COLOR REPRODUCTION ADJUSTMENT〉

For NTSC 720H model

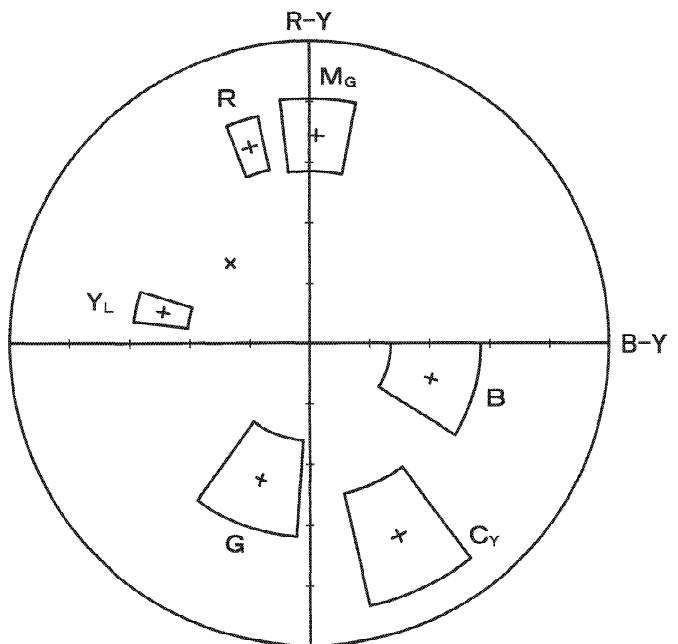


Take a copy of CAMERA COLOR REPRODUCTION FRAME and Parts referencesheets with a clear sheet for use.

*DCR-TRV103/TRV110/TRV110P/TRV203/
TRV210/TRV310/TRV310P/TRV315
DCR-TR7000*



For PAL 960H model



*DCR-TRV110E/TRV210E/TRV310E
DCR-TR7000E/TR7100E*



DCR-TRV103/TRV110/TRV110E/TRV110P/TRV203/TRV210/
TRV210E/TRV310/TRV310E/TRV310P/TRV315
DCR-TR7000/TR7000E/TR7100E