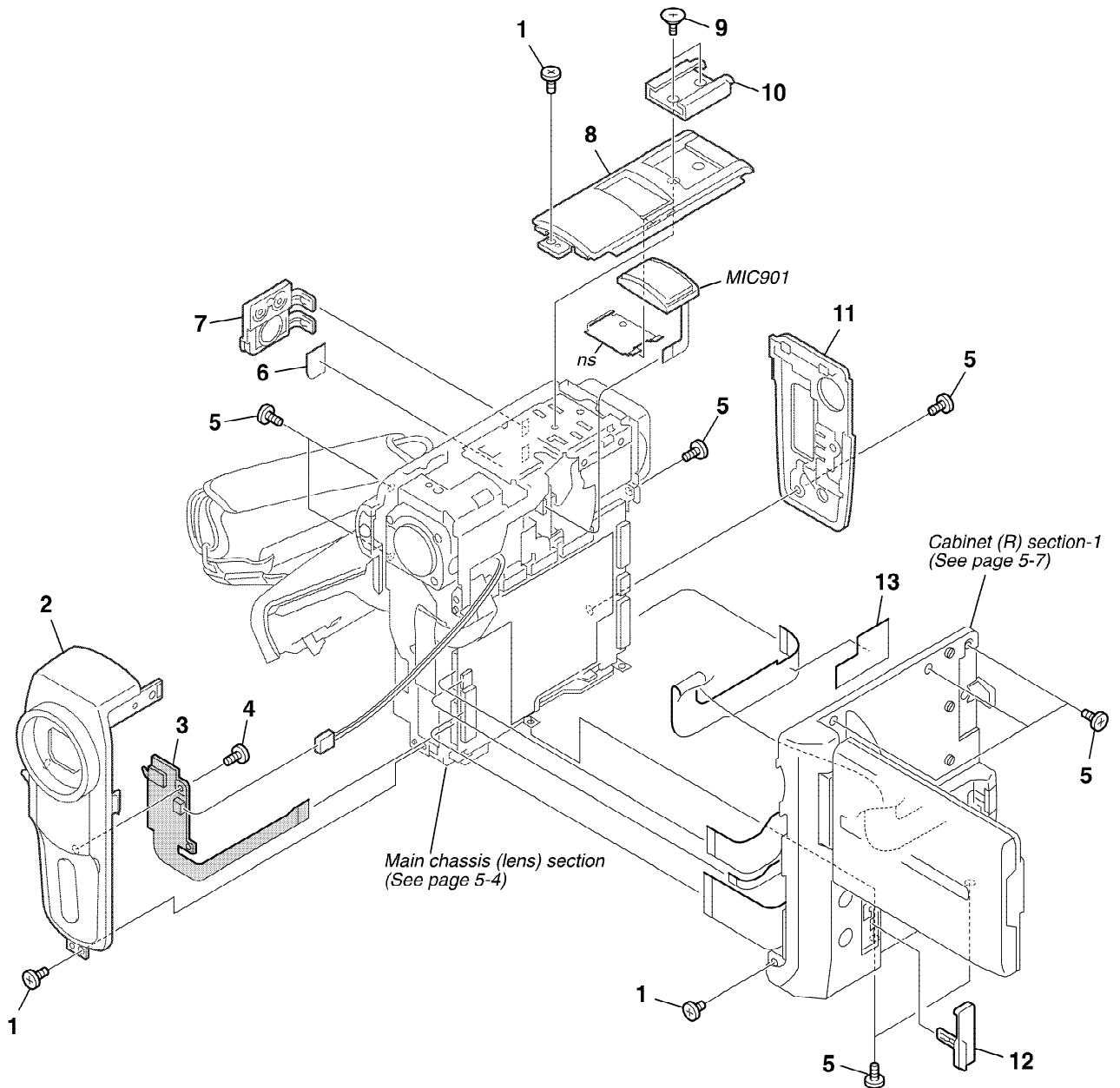


5. REPAIR PARTS LIST

5-1. EXPLODED VIEWS

5-1-1. OVERALL SECTION

ns : not supplied

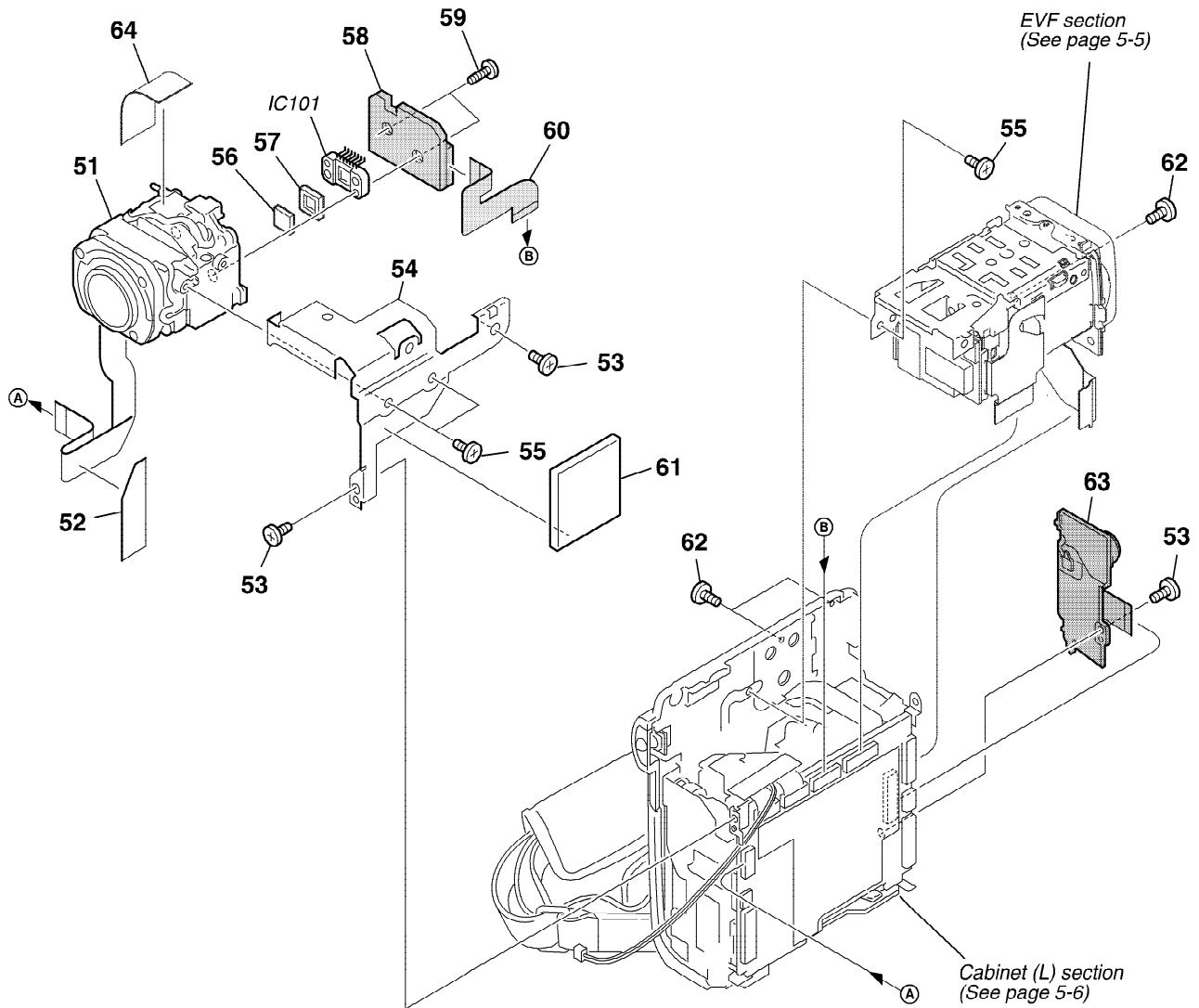


Ref. No.	Part No.	Description
1	3-989-735-11	SCREW (M1.7), LOCK ACE, P2
2	X-3954-131-1	PANEL ASSY (N), FRONT
3	A-7112-500-A	FP-840 BOARD, COMPLETE
4	3-080-204-01	SCREW, TAPPING, P2
5	3-989-735-31	SCREW (M1.7), LOCK ACE, P2
6	3-089-561-21	SHEET, JACK
7	3-090-134-01	COVER (L), JACK

Ref. No.	Part No.	Description
8	X-3954-422-1	CABINET (UPPER) (N) ASSY
9	3-067-187-11	ACE, PLATE SCREW (M2) LOCK
10	3-067-469-21	SHOE, ACCESSORY
11	X-3954-259-1	PANEL ASSY, REAR
12	3-089-941-02	COVER, DCIN
13	3-091-704-01	SHEET, ADHESIVE, BT FLEXIBLE
MIC901	1-542-573-11	MICROPHONE UNIT (960H)

5. REPAIR PARTS LIST

5-1-2. MAIN CHASSIS (LENS) SECTION



Ref. No.	Part No.	Description
51	8-848-778-01	DEVICE, LENS LSV-920A
52	3-090-129-01	INSULATING SHEET, CR
53	3-989-735-11	SCREW (M1.7), LOCK ACE, P2
54	3-089-948-01	FRAME (N), LENS
55	3-080-204-01	SCREW, TAPPING, P2
56	1-788-059-11	FILTER BLOCK, OPTICAL
57	3-091-333-01	RUBBER, SEAL
58	A-7112-555-A	CD-493 BOARD, COMPLETE (IC101 is not included in this board.)

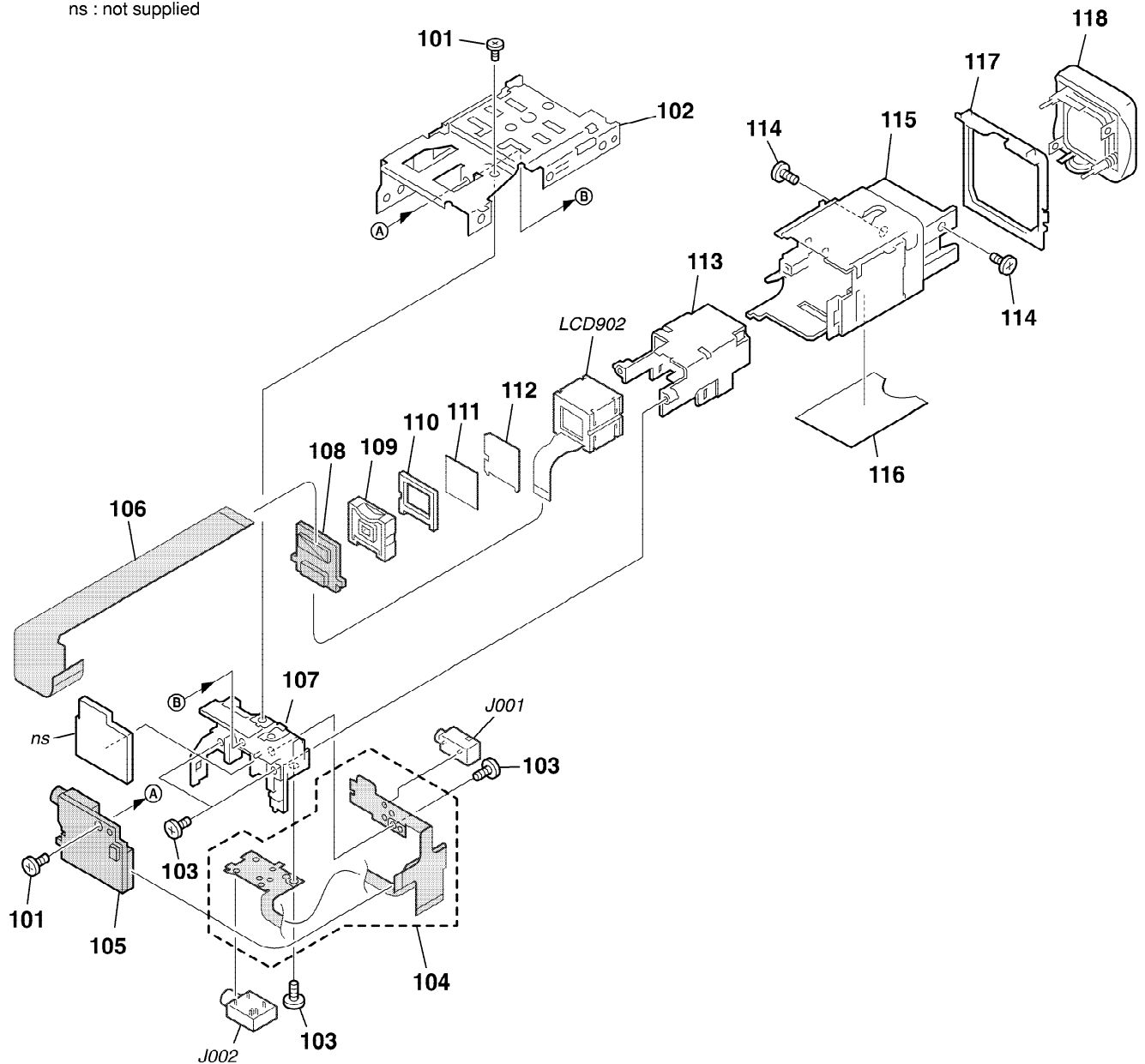
Ref. No.	Part No.	Description
59	3-087-382-11	SCREW (B1.7), TAPPING
60	1-861-539-11	FP-838 FLEXIBLE BOARD
61	3-091-298-01	SPACER (N), FRAME
62	3-989-735-31	SCREW (M1.7), LOCK ACE, P2
63	1-478-542-21	KEY BLOCK, CONTROL (SS6800)
64	3-090-319-01	SHEET, NS
IC101	A-7112-773-A	CCD BLOCK ASSY (960HP) (CCD IMAGER) (IC101 is not included in the COMPLETE board of CD-493.)

Be sure to read "Precautions upon replacing CCD imager" on page 4-5 when changing the CCD imager.

5. REPAIR PARTS LIST

5-1-3. EVF SECTION

ns : not supplied



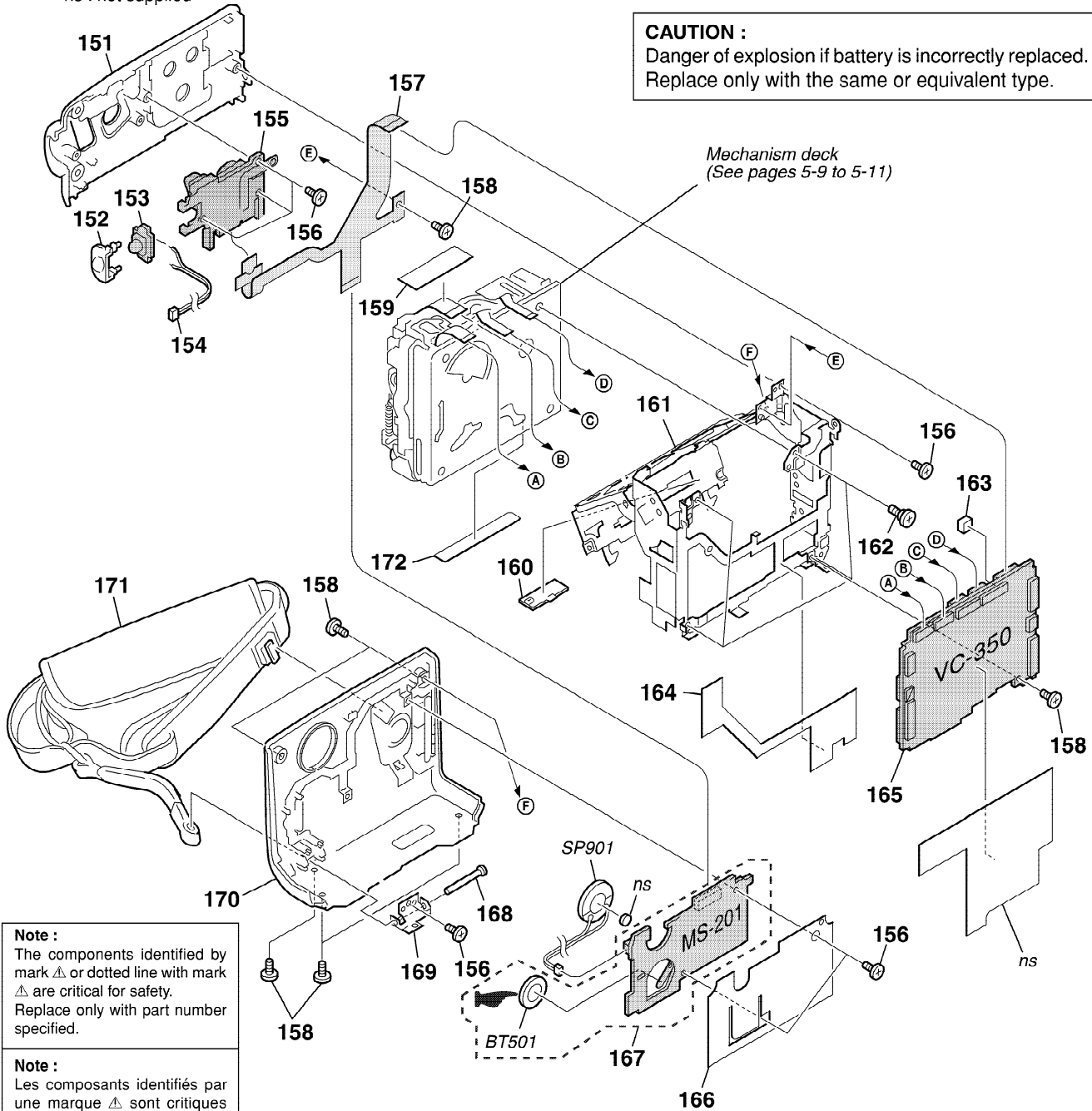
Ref. No.	Part No.	Description
101	3-078-890-11	SCREW, TAPPING
102	3-089-441-01	FRAME (N), SHOE
103	3-080-204-01	SCREW, TAPPING, P2
104	1-861-544-11	FP-843 FLEXIBLE BOARD
105	A-7112-558-A	SE-140 BOARD, COMPLETE
106	1-861-543-11	FP-842 FLEXIBLE BOARD
107	X-3954-127-1	HOLDER ASSY, E PARTS
108	A-7112-556-A	LB-096 BOARD, COMPLETE
109	3-089-447-01	GUIDE, LAMP
110	3-089-448-01	CUSHION, LB
111	3-089-445-01	ILLUMINATOR

Ref. No.	Part No.	Description
112	3-089-446-01	SHEET, PRISM
113	3-089-443-01	CABINET, VF (LCD)
114	3-389-523-16	SCREW (LOCK ACE)
115	X-3954-130-1	SLIDE ASSY, VF
116	3-090-069-01	RETAINER, VF FLEXIBLE
117	3-089-435-11	FRAME, ORNAMENTAL, VF
118	X-3954-125-1	EYE CUP ASSY
LCD902	8-753-208-84	LCX059ALA-1
J001	1-793-995-11	JACK, SUPER SMALL TYPE (LANC)
J002	1-778-040-11	JACK, SMALL TYPE (A/V OUT)

5. REPAIR PARTS LIST

5-1-4. CABINET (L) SECTION

ns : not supplied

**CAUTION :**

Danger of explosion if battery is incorrectly replaced.
Replace only with the same or equivalent type.

Mechanism deck
(See pages 5-9 to 5-11)

Note :
The components identified by mark \triangle or dotted line with mark \triangle are critical for safety. Replace only with part number specified.

Note :
Les composants identifiés par une marque \triangle sont critiques pour la sécurité. Ne les remplacer que par une pièce portant le numéro spécifié.

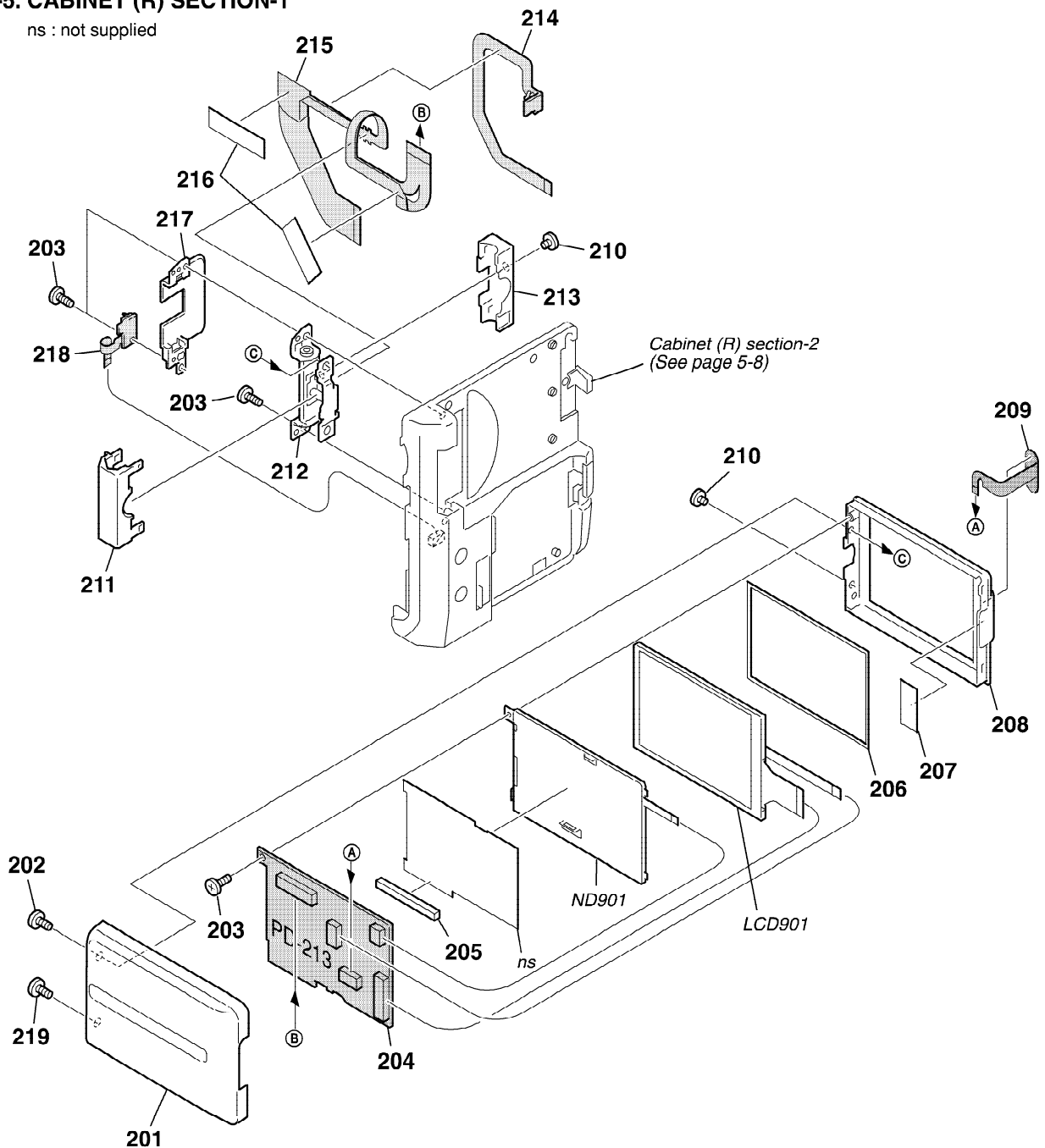
: BT501 (Lithium battery) MS-201 board on the mount position. (See page 4-59)

Ref. No.	Part No.	Description	Ref. No.	Part No.	Description
151	X-3954-250-1	CABINET (L) ASSY (N)	165	A-7113-061-A	VC-350 BOARD, COMPLETE (SERVICE) (PC107E)
152	3-090-125-01	WINDOW, NS	165	A-7113-062-A	VC-350 BOARD, COMPLETE (SERVICE) (PC106E)
153	A-7112-497-A	IR-052 BOARD, COMPLETE	166	3-089-639-01	SHEET, LI
154	1-962-696-11	HARNESS (RR-057)	167	A-7112-557-A	MS-201 BOARD, COMPLETE
155	1-478-541-11	KEY BLOCK, CONTROL (ZM6800)	168	3-082-574-01	SHAFT, BELT
156	3-080-204-01	SCREW, TAPPING, P2	169	3-090-930-01	BRACKET (FRONT), BELT
157	1-861-545-12	FP-844 FLEXIBLE BOARD	170	X-3954-245-1	CABINET (G) ASSY (O)
158	3-989-735-11	SCREW (M1.7), LOCK ACE, P2	171	X-3954-138-1	BELT ASSY, GRIP
159	3-941-343-01	TAPE (A)	172	3-081-221-01	LABEL (Z), LS
160	3-075-309-01	KNOB, EJECT	\triangle BT501	1-756-128-11	BATTERY, LITHIUM (SECONDARY)
161	X-3954-136-1	FRAME ASSY, CS	SP901	1-825-261-21	LOUD SPEAKER (1.6CM)
162	3-062-214-01	SCREW (M1.4X1.5)			
163	3-089-521-01	SHEET, VC			
164	3-091-234-01	SHEET, INSULATING, VC			

5. REPAIR PARTS LIST

5-1-5. CABINET (R) SECTION-1

ns : not supplied

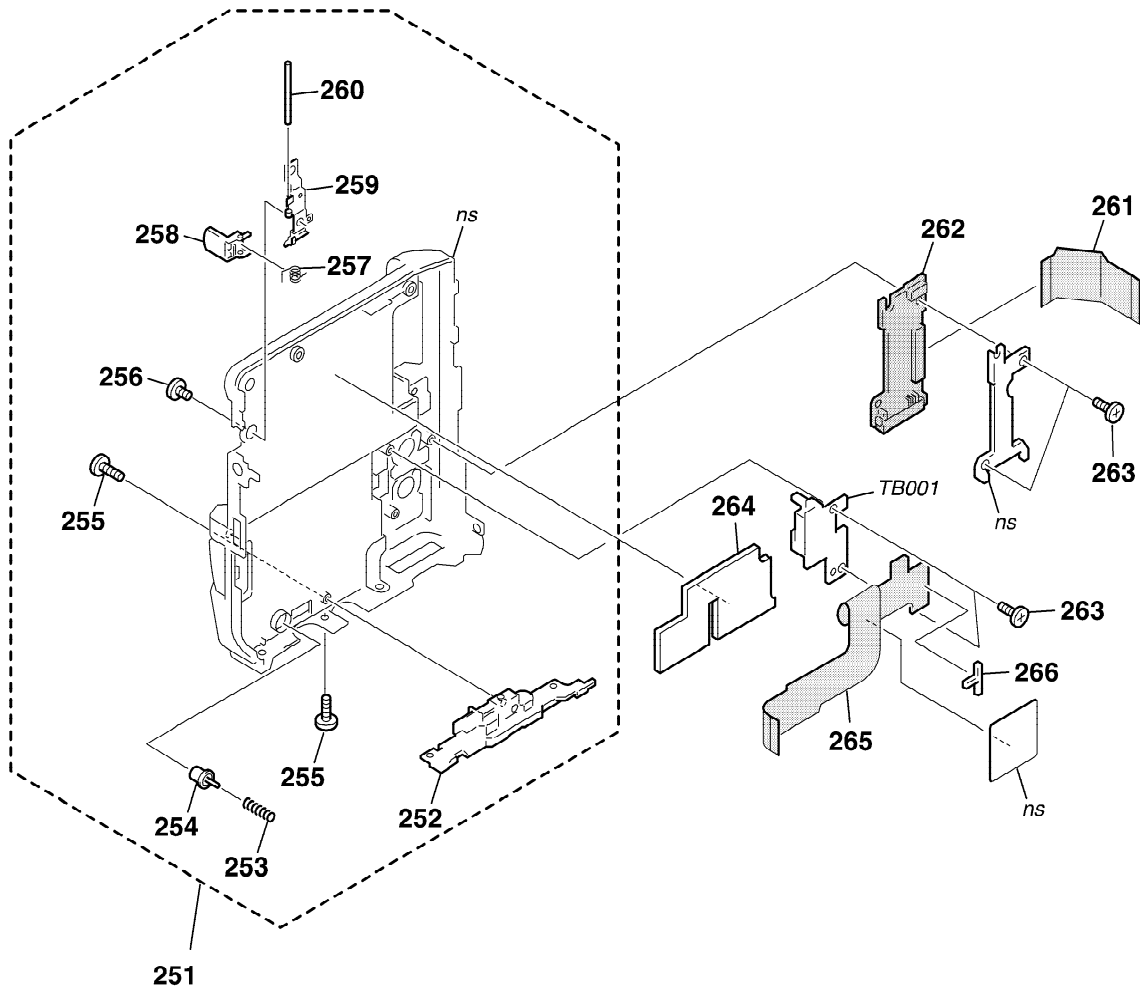


Ref. No.	Part No.	Description	Ref. No.	Part No.	Description
201	X-3954-407-1	CABINET (C) (N) ASSY, P (PC106E)	211	3-089-470-01	COVER (C), HINGE
201	X-3954-408-1	CABINET (C) (N) ASSY, P (PC107E)	212	X-3954-070-1	HINGE (63) ASSY
202	3-080-198-21	SCREW(M1.7),LOCK ACE,P2	213	3-089-473-01	COVER (M), HINGE
203	3-080-204-21	SCREW, TAPPING, P2	214	A-7112-499-A	FP-926 BOARD, COMPLETE
204	A-7112-498-A	PD-213 BOARD, COMPLETE	215	1-861-549-11	FP-848 FLEXIBLE BOARD
205	3-090-065-01	CUSHION, BL	216	3-941-343-01	TAPE (A)
206	3-090-062-01	CUSHION, TP	217	3-089-943-01	BLIND, HINGE
207	3-090-064-01	SHEET, LIGHT	218	1-861-548-11	FP-847 FLEXIBLE BOARD
208	X-3954-420-1	CABINET (M) ASSY, P	219	3-078-890-01	SCREW, TAPPING
209	1-478-483-21	KEY BLOCK, CONTROL (SB6300)	ND901	1-478-462-21	BLOCK, LIGHT GUIDE PLATE (2.5)
210	3-989-735-11	SCREW (M1.7), LOCK ACE, P2	LCD901	8-753-205-50	ACX528AKP-J

5. REPAIR PARTS LIST

5-1-6. CABINET (R) SECTION-2

ns : not supplied

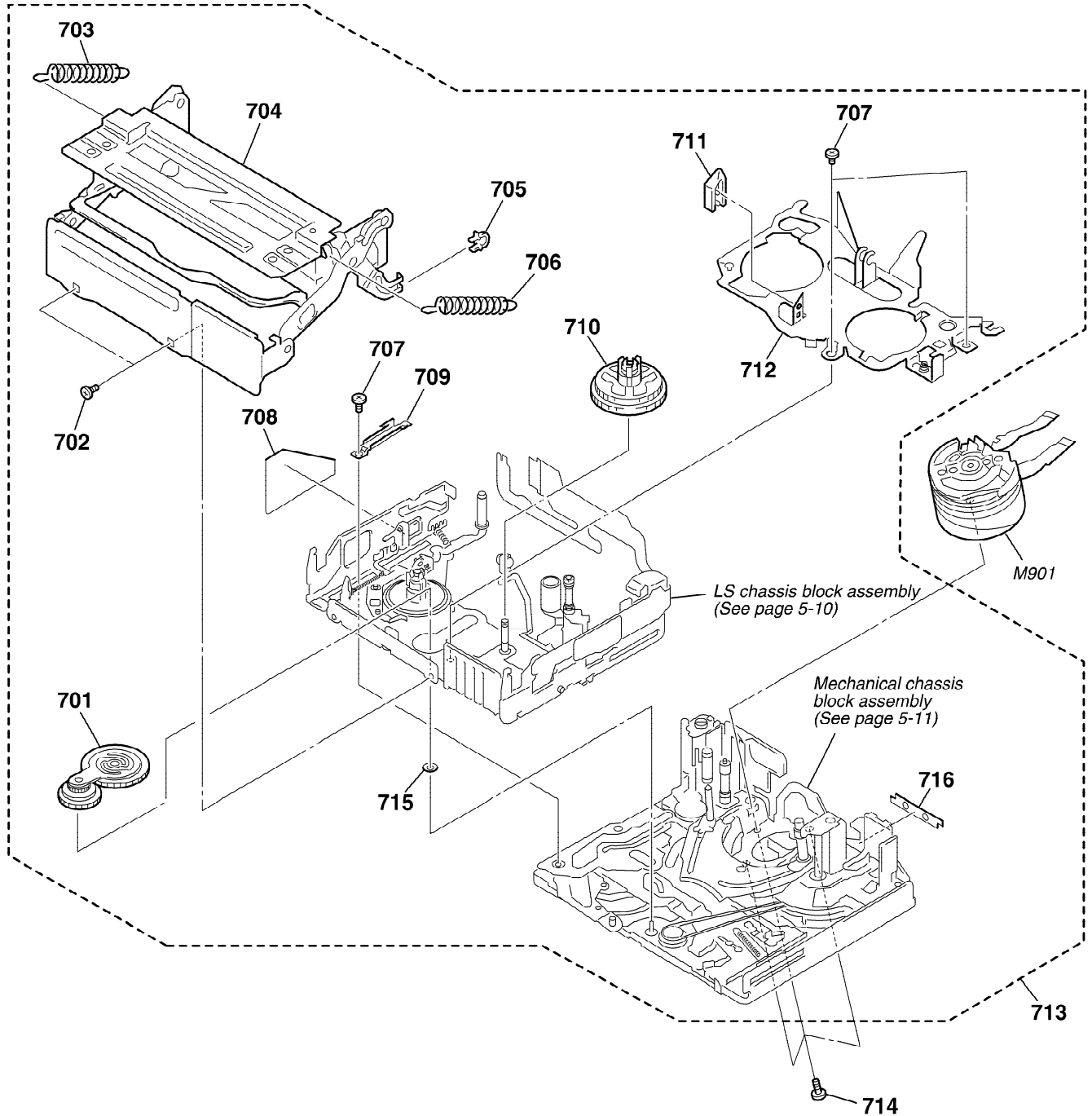


Ref. No.	Part No.	Description
251	X-3954-209-1	CABINET (R) ASSY (E)
252	3-089-938-01	FRAME, BOTTOM
253	3-089-931-01	SPRING, LIFTER
254	3-089-930-01	LIFTER, BT
255	3-989-735-31	SCREW (M1.7), LOCK ACE, P2
256	3-989-735-11	SCREW (M1.7), LOCK ACE, P2
257	3-089-933-01	SPRING, PANEL LOCK
258	3-089-932-01	KNOB, PANEL LOCK
259	3-089-934-01	RETAINER, PANEL LOCK

Ref. No.	Part No.	Description
260	3-669-481-05	PIN (DIA. 1X15), PARALLEL
261	1-861-547-11	FP-846 FLEXIBLE BOARD
262	A-7112-502-A	CR-047 BOARD, COMPLETE
263	3-080-204-21	SCREW, TAPPING, P2
264	3-090-127-01	SPACER, FLEXIBLE
265	1-861-542-11	FP-841 FLEXIBLE BOARD
266	3-089-942-01	SHEET
TB001	1-694-950-11	TERMINAL BOARD, BATTERY

5. REPAIR PARTS LIST

5-1-7. OVERALL (MECHANISM DECK-Z200)



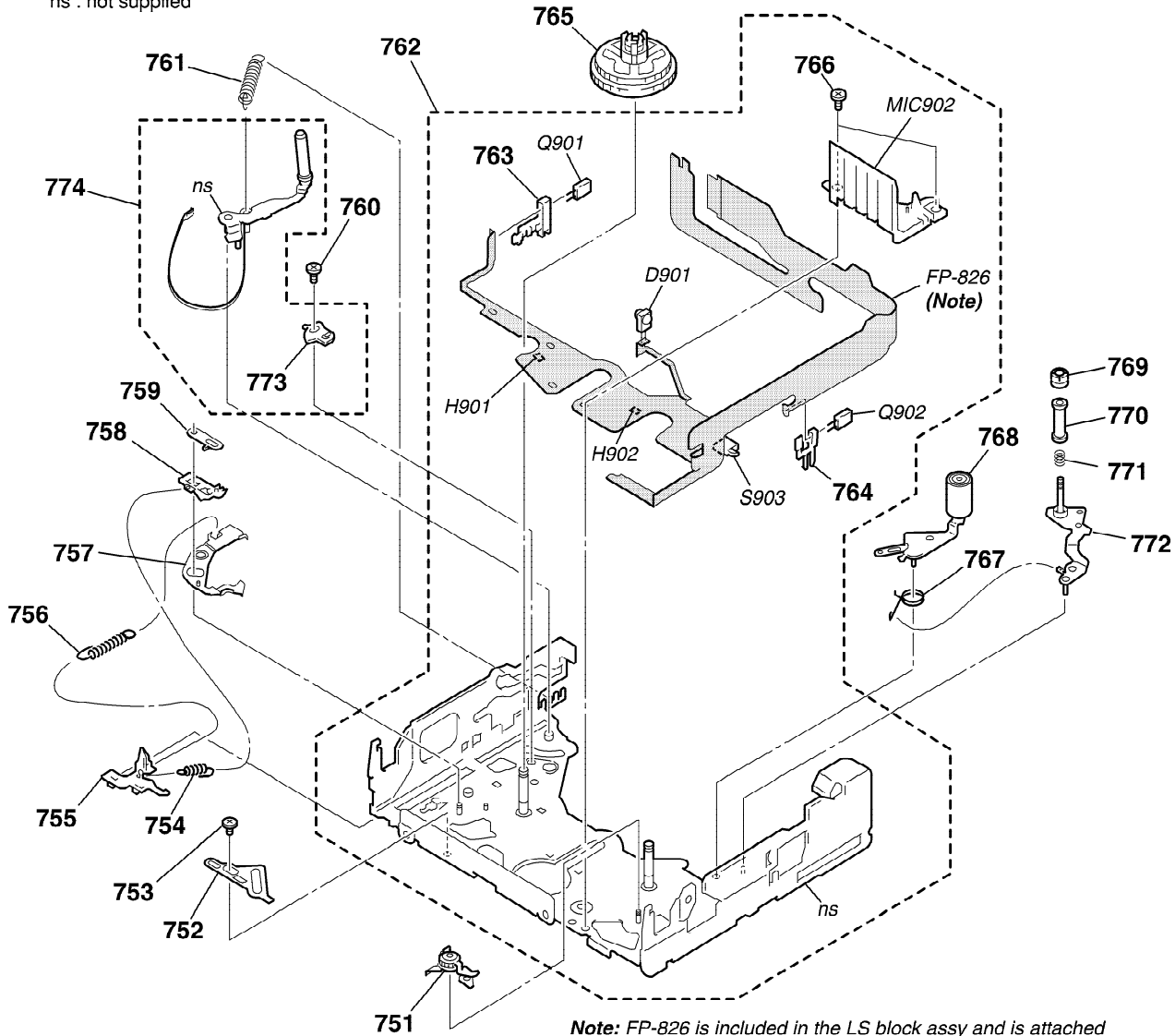
Ref. No.	Part No.	Description
701	X-3952-938-3	GEAR ASSY, GOOSENECK
702	3-075-097-11	SCREW (M1.4X1.4), SPECIAL HEAD
703	3-079-206-02	SPRING (POP UP S), EXTENSION
704	X-3952-939-3	COMPARTMENT ASSY, CASSETTE
705	3-079-367-01	DAMPER, CASSETTE COMPARTMENT
706	3-079-215-02	SPRING (POP UP T), EXTENSION
707	3-085-330-01	SCREW, SPECIAL
708	3-080-545-01	COVER, SENSOR S
709	3-079-364-01	RETAINER, LS GUIDE

Ref. No.	Part No.	Description
710	X-3952-937-1	TABLE ASSY, T REEL
711	3-079-366-01	RELEASE, REEL LOCK
712	X-3953-257-1	PLATE ASSY,RETAINER
713	A-7095-947-A	MD (Z200) SUB ASSY
714	3-079-741-02	SCREW,DRUM FIXING
715	3-748-682-01	WASHER, T
716	3-087-881-01	SHEET, ADHESIVE, FLEXIBLE
M901	A-7048-994-A	DRUM (DEH-30B-R)

5. REPAIR PARTS LIST

5-1-8. LS CHASSIS BLOCK ASSEMBLY

ns : not supplied



Note: FP-826 is included in the LS block assy and is attached to chassis by hot-press. Because installation of FP-826 requires a very high accuracy, FP-826 is not supplied as an independent service parts.

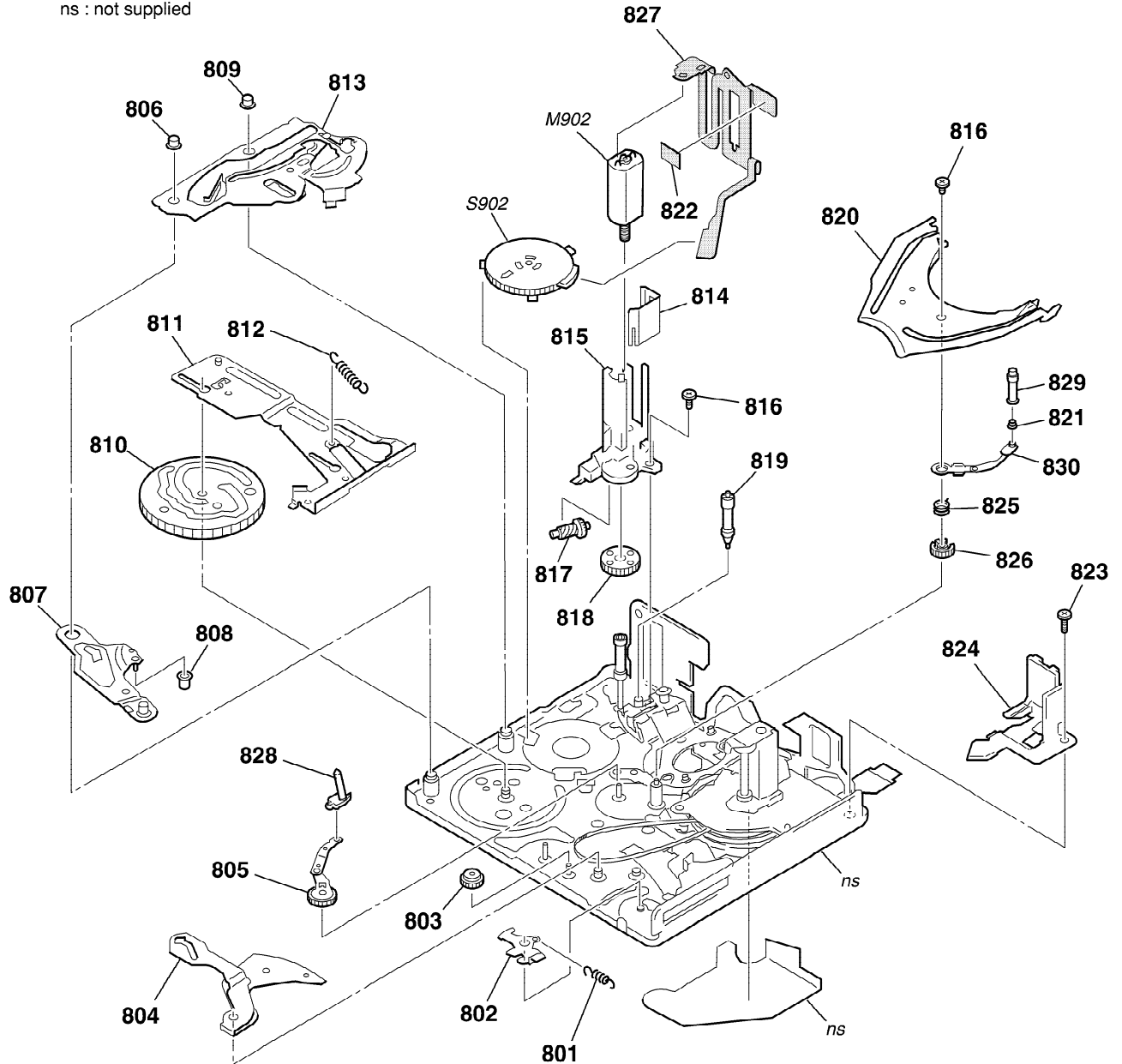
Ref. No.	Part No.	Description
751	A-7095-402-B	BRAKE (T) BLOCK ASSY
752	3-079-241-01	PLATE, LS CAM
753	3-075-097-11	SCREW (M1.4X1.4), SPECIAL HEAD
754	3-079-246-01	SPRING(RELEASE RACK),EXTENSION
755	3-079-248-01	POSITIONING(S), CASSETTE
756	3-079-244-01	SPRING (ULE), EXTENSION
757	X-3952-932-1	BRAKE ASSY, ULE
758	3-079-245-01	RACK (S), RELEASE
759	3-079-247-01	BRAKE (S)
760	3-059-090-11	SCREW (M1.4X2.5), SPECIAL HEAD
761	3-079-242-01	SPRING, TENSION
762	A-7095-951-A	LS BLOCK ASSY
763	3-079-267-01	HOLDER (S), SENSOR
764	3-079-268-01	HOLDER (T), SENSOR
765	X-3952-936-2	TABLE ASSY, S REEL
766	3-085-330-01	SCREW, SPECIAL

Ref. No.	Part No.	Description
767	3-079-243-02	SPRING (PINCH RETURN), TORSION
768	X-3952-934-1	ARM ASSY, PINCH
769	3-052-062-02	NUT, TG7
770	3-079-219-02	TG7
771	3-081-591-01	SPRING, COMPRESSION (TG7)
772	X-3952-935-3	ARM ASSY, TG7
773	3-079-237-01	ADJUSTOR, BAND
774	A-7095-403-B	TG2 ARM BLOCK ASSY
D901	6-500-652-01	DIODE GL453SE0000F (TAPE LED)
H901	8-719-067-74	ELEMENT, HOLE HW-105A-CDE-T (S REEL)
H902	8-719-067-74	ELEMENT, HOLE HW-105A-CDE-T (T REEL)
MIC902	1-817-175-12	PIN, CONNECTOR (WITH DETECTION SWITCH)
S903	1-529-566-51	SWITCH, PUSH (1 KEY) (C.C.DOWN)
Q901	6-550-672-01	TRANSISTOR PT4850FJE00F (TAPE END)
Q902	6-550-672-01	TRANSISTOR PT4850FJE00F (TAPE TOP)

5. REPAIR PARTS LIST

5-1-9. MECHANISM CHASSIS BLOCK ASSEMBLY

ns : not supplied

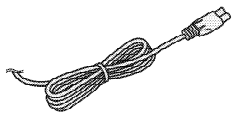


Ref. No.	Part No.	Description	Ref. No.	Part No.	Description
801	3-079-314-01	SPRING (EJ), EXTENSION	817	3-079-308-01	SHAFT, WORM
802	3-079-327-01	ARM, EJ	818	3-079-309-01	GEAR, DECELERATION
803	3-079-323-01	GEAR, CONVERSION	819	X-3952-942-2	ROLLER ASSY, TG3
804	3-079-324-01	ARM, GL DRIVING	820	3-079-325-01	RAIL, GUIDE
805	X-3952-928-1	GL (S) ASSY	821	3-079-295-02	SPRING, TG5
806	3-079-315-01	ROLLER (S1), LS GUIDE	822	1-677-049-11	FP-228 FLEXIBLE BOARD (DEW SENSOR)
807	X-3952-925-1	ARM ASSY, LS	823	3-079-328-01	SCREW (M1.4), SPECIAL HEAD
808	3-079-320-01	ROLLER, LS	824	3-079-326-02	SUPPORT, TG7
809	3-079-316-01	ROLLER (S2), LS GUIDE	825	3-079-301-01	SPRING (GLT), TORSION
810	3-079-319-01	GEAR, CAM	826	3-079-298-01	GEAR (T), GL
811	X-3952-941-1	SLIDER ASSY (N), M	827	1-686-798-11	FP-467 FLEXIBLE BOARD
812	3-079-321-02	SPRING (PINCH), EXTENSION	828	X-3952-927-2	COASTER (S) ASSY
813	X-3952-940-2	PLATE ASSY, TG2 CAM	829	X-3952-930-3	ROLLER ASSY, TG5
814	3-079-312-01	SHIELD, MOTOR	830	X-3952-929-1	COASTER (T) ASSY
815	3-079-307-02	HOLDER, MOTOR	M902	A-7095-396-A	MOTOR BLOCK ASSY, L (LOADING)
816	3-085-330-01	SCREW, SPECIAL	S902	1-477-679-11	ROTARY, ENCODER (MODE SWITCH)

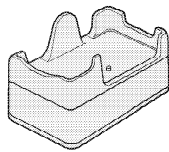
5. REPAIR PARTS LIST

Checking supplied accessories.

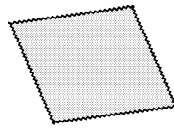
Make sure that the following accessories are supplied with your camcorder.



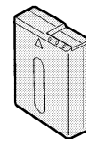
Power cord (Main lead) (1)
(AEP, EE, NE model)
△ 1-769-608-11
Power cord (Main lead) (1)
(UK model)
△ 1-783-374-11



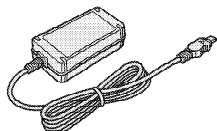
Handycam station (1)
(DCRA-C112)
(PC107E)
1-818-213-31
(DCRA-C113)
(PC106E)
1-818-213-41



Cleaning cloth (1)
3-073-861-01



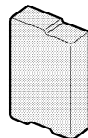
Rechargeable battery pack
(NP-FF51) (1)
A-7097-021-A



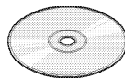
AC Adaptor
(AC-L25A/L25B) (1)
△ 1-477-534-11



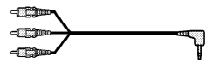
USB cable (1)
1-824-382-21



Battery terminal cover (1)
3-070-945-11



CD-ROM
(SPVD-012 USB Driver) (1)
3-087-821-01



A/V connecting cable (1)
1-824-097-11



Wireless Remote Commander
(RMT-830) (1)
1-477-898-71



21-pin adaptor (1)
1-770-783-21

• Abbreviation

EE : East European model
NE : North European model

Other accessories

3-087-936-11	MANUAL (PC), INSTRUCTION(ENGLISH) (PC106E:AEP,UK/PC107E:AEP,UK)
3-087-936-21	MANUAL (PC), INSTRUCTION(FRENCH) (PC106E:AEP/PC107E:AEP)
3-087-936-31	MANUAL (PC), INSTRUCTION(SPANISH/PORTUGUESE) (PC106E:AEP/PC107E:AEP)
3-087-936-41	MANUAL (PC), INSTRUCTION(ITALIAN/GREEK) (PC106E:AEP/PC107E:AEP)
3-087-936-51	MANUAL (PC), INSTRUCTION(GERMAN/DUTCH) (PC106E:AEP/PC107E:AEP)
3-087-936-61	MANUAL (PC), INSTRUCTION(SWEDISH/RUSSIAN) (PC107E:NE)
3-087-936-71	MANUAL (PC), INSTRUCTION(DANISH/FINNISH) (PC107E:NE)
3-089-179-11	MANUAL, INSTRUCTION(ENGLISH) (PC106E:AEP,UK/PC107E:AEP,UK)

3-089-179-21	MANUAL, INSTRUCTION(FRENCH) (PC106E:AEP/PC107E:AEP)
3-089-179-31	MANUAL, INSTRUCTION(SPANISH/PORTUGUESE) (PC106E:AEP/PC107E:AEP)
3-089-179-41	MANUAL, INSTRUCTION(ITALIAN/GREEK) (PC106E:AEP/PC107E:AEP)
3-089-179-51	MANUAL, INSTRUCTION(GERMAN/DUTCH) (PC106E:AEP/PC107E:AEP)
3-089-179-61	MANUAL, INSTRUCTION(SWEDISH/RUSSIAN) (PC107E:NE)
3-089-179-71	MANUAL, INSTRUCTION(DANISH/FINNISH) (PC107E:NE)

The components identified by mark △ or dotted line with mark △ are critical for safety. Replace only with part number specified.

CD-493

CR-047

FP-840

FP-926

IR-052

LB-096

5-2. ELECTRICAL PARTS LIST

Ref. No.	Part No.	Description
	A-7112-555-A	CD-493 BOARD, COMPLETE ***** (IC101 is not included in this COMPLETE board.)
		< CAPACITOR >
C101	1-104-851-11	TANTAL. CHIP 10uF 20% 10V
C102	1-164-850-11	CERAMIC CHIP 10PF 0.5PF 50V
C103	1-164-943-11	CERAMIC CHIP 0.01uF 10% 16V
C104	1-113-987-11	TANTAL. CHIP 4.7uF 20% 25V
		< CONNECTOR >
CN101	1-691-352-21	CONNECTOR, FFC/FPC (ZIF) 14P
		< IC >
IC101	A-7112-773-A	CCD BLOCK ASSY (960HP)(CCD IMAGER) (IC101 is not included in the COMPLETE board of CD-493.)
		< COIL >
L101	1-469-528-91	INDUCTOR 100uH
		< TRANSISTOR >
Q101	8-729-117-73	TRANSISTOR 2SC4178-F14
		< RESISTOR >
R101	1-218-959-11	RES-CHIP 3.3K 5% 1/16W
	A-7112-502-A	CR-047 BOARD, COMPLETE *****
		< CONNECTOR >
CN801	(Note)	CONNECTOR, MULTIPLE (SOCKET)
CN802	1-794-505-21	CONNECTOR, FPC (ZIF) 51P
CN803	1-774-631-21	CONNECTOR, FFC/FPC 6P
		< DIODE >
D801	6-500-887-01	DIODE CL-191HB1-D-T
		< RESISTOR >
R801	1-218-954-11	RES-CHIP 1.2K 5% 1/16W
		< SWITCH >
S801	1-771-138-82	SWITCH, KEY BOARD (EASY)
S802	1-771-138-82	SWITCH, KEY BOARD (DISPLAY/BATT INFO)
	A-7112-500-A	FP-840 BOARD, COMPLETE *****
		< CAPACITOR >
C101	1-125-837-91	CERAMIC CHIP 1uF 10% 6.3V

Ref. No.	Part No.	Description
		< CONNECTOR >
CN101	1-794-375-21	PIN, CONNECTOR 2P
		< DIODE >
D102	6-500-851-01	DIODE SML-A12UTT86
D104	8-719-988-61	DIODE 1SS355TE-17
		< IC >
IC101	6-600-047-01	IC RS-670
		< RESISTOR >
R101	1-216-813-11	METAL CHIP 220 5% 1/10W
R102	1-216-805-11	METAL CHIP 47 5% 1/10W
R104	1-216-821-11	METAL CHIP 1K 5% 1/10W
		< SWITCH >
S101	1-771-039-31	SWITCH, PUSH (LENS SHUTTER)
	A-7112-499-A	FP-926 BOARD, COMPLETE *****
		< SWITCH >
S101	1-786-179-31	SWITCH, PUSH (1KEY) (PANEL REVERSE)
	A-7112-497-A	IR-052 BOARD, COMPLETE *****
		< DIODE >
D701	6-500-512-01	DIODE CL-330IRS-X-TU
	A-7112-556-A	LB-096 BOARD, COMPLETE *****
		< CAPACITOR >
C301	1-125-777-11	CERAMIC CHIP 0.1uF 10% 10V
C302	1-165-908-11	CERAMIC CHIP 1uF 10% 10V
C303	1-164-505-11	CERAMIC CHIP 2.2uF 16V
		< CONNECTOR >
CN301	1-818-046-11	CONNECTOR, FFC/FPC 20P
CN302	1-815-098-11	CONNECTOR, FPC (ZIF) 21P
		< DIODE >
D302	8-719-074-67	DIODE EDZ-TE61-5.6B
D303	6-500-874-01	DIODE E1S35-AW0C7-01-A2
		< RESISTOR >
R302	1-216-841-11	METAL CHIP 47K 5% 1/10W
R305	1-218-989-11	RES-CHIP 1M 5% 1/16W

Be sure to read "Precautions upon replacing CCD imager" on page 4-5 when changing the CCD imager.

Note : CN801 is not supplied.

DCR-PC106E/PC107E

MS-201

PD-213

Ref. No.	Part No.	Description
	A-7112-557-A	MS-201 BOARD, COMPLETE *****
		< BATTERY >
△ BT501	1-756-128-11	BATTERY, LITHIUM (SECONDARY)
		< CONNECTOR >
CN501	1-691-354-21	CONNECTOR, FFC/FPC (ZIF) 16P
CN502	1-778-506-21	PIN, CONNECTOR (PC BOARD) 2P
		< RESISTOR >
R505	1-216-864-11	SHORT CHIP 0
		< SWITCH >
S501	1-771-138-82	SWITCH, KEY BOARD (RESET)
	A-7112-498-A	PD-213 BOARD, COMPLETE *****
		< CAPACITOR >
C602	1-164-939-11	CERAMIC CHIP 0.0022uF 10% 50V
C604	1-125-841-91	TANTAL. CHIP 22uF 20% 4V
C605	1-125-777-11	CERAMIC CHIP 0.1uF 10% 10V
C606	1-165-908-11	CERAMIC CHIP 1uF 10% 10V
C607	1-125-777-11	CERAMIC CHIP 0.1uF 10% 10V
C608	1-125-777-11	CERAMIC CHIP 0.1uF 10% 10V
C610	1-125-777-11	CERAMIC CHIP 0.1uF 10% 10V
C611	1-104-851-11	TANTAL. CHIP 10uF 20% 10V
C612	1-164-739-11	CERAMIC CHIP 560PF 5% 50V
C614	1-164-943-11	CERAMIC CHIP 0.01uF 10% 16V
C615	1-164-943-11	CERAMIC CHIP 0.01uF 10% 16V
C616	1-164-943-11	CERAMIC CHIP 0.01uF 10% 16V
C617	1-125-777-11	CERAMIC CHIP 0.1uF 10% 10V
C618	1-125-889-91	CERAMIC CHIP 2.2uF 10% 10V
C622	1-127-760-11	CERAMIC CHIP 4.7uF 10% 6.3V
C623	1-127-760-11	CERAMIC CHIP 4.7uF 10% 6.3V
C624	1-125-777-11	CERAMIC CHIP 0.1uF 10% 10V
C626	1-165-908-11	CERAMIC CHIP 1uF 10% 10V
C627	1-125-777-11	CERAMIC CHIP 0.1uF 10% 10V
C631	1-165-908-11	CERAMIC CHIP 1uF 10% 10V
C633	1-127-760-11	CERAMIC CHIP 4.7uF 10% 6.3V
		< CONNECTOR >
CN601	1-793-224-11	CONNECTOR, FFC/FPC (ZIF) 22P
CN602	1-573-915-11	CONNECTOR, FFC/FPC (ZIF) 6P
CN603	1-573-346-21	CONNECTOR, FFC/FPC 6P
CN605	1-573-364-11	CONNECTOR, FFC/FPC 24P
CN606	1-794-322-11	CONNECTOR, FFC/FPC (ZIF) 6P
		< DIODE >
D601	8-719-073-01	DIODE MA111-(K8).S0
D602	8-719-074-67	DIODE EDZ-TE61-5.6B
		< FERRITE BEAD >
FB601	1-414-760-21	BEAD, FERRITE (CHIP) (1608)

Ref. No.	Part No.	Description
		< IC >
IC601	8-759-693-13	IC NJM12904V (TE2)
IC602	8-752-109-72	IC CXM3006R
		< COIL >
L601	1-400-588-11	INDUCTOR, LAMINATE CHIP 10uH
L602	1-400-588-11	INDUCTOR, LAMINATE CHIP 10uH
L603	1-400-588-11	INDUCTOR, LAMINATE CHIP 10uH
		< TRANSISTOR >
Q601	8-729-427-42	TRANSISTOR XP4211
Q602	8-729-427-12	TRANSISTOR XP4111
Q603	6-550-237-01	TRANSISTOR 2SC5658T2LQ/R
Q604	6-550-237-01	TRANSISTOR 2SC5658T2LQ/R
Q605	6-550-237-01	TRANSISTOR 2SC5658T2LQ/R
Q606	8-729-420-24	TRANSISTOR 2SB1218A-QRS
Q607	8-729-420-24	TRANSISTOR 2SB1218A-QRS
Q608	6-550-234-01	TRANSISTOR UNR32A300LS0
Q609	6-550-232-01	TRANSISTOR 2SA2029T2LQ/R
Q610	6-550-232-01	TRANSISTOR 2SA2029T2LQ/R
		< RESISTOR >
R606	1-208-943-11	METAL CHIP 220K 0.5% 1/16W
R607	1-218-989-11	RES-CHIP 1M 5% 1/16W
R608	1-208-927-11	METAL CHIP 47K 0.5% 1/16W
R609	1-218-975-11	RES-CHIP 68K 5% 1/16W
R610	1-218-949-11	RES-CHIP 470 5% 1/16W
R611	1-218-977-11	RES-CHIP 100K 5% 1/16W
R613	1-220-206-11	RES-CHIP 91K 5% 1/16W
R614	1-208-707-11	METAL CHIP 10K 0.5% 1/16W
R615	1-218-961-11	RES-CHIP 4.7K 5% 1/16W
R616	1-218-957-11	RES-CHIP 2.2K 5% 1/16W
R617	1-218-953-11	RES-CHIP 1K 5% 1/16W
R619	1-208-647-11	METAL CHIP 33 0.5% 1/16W
R620	1-218-969-11	RES-CHIP 22K 5% 1/16W
R623	1-208-647-11	METAL CHIP 33 0.5% 1/16W
R624	1-218-973-11	RES-CHIP 47K 5% 1/16W
R625	1-218-963-11	RES-CHIP 6.8K 5% 1/16W
R627	1-218-958-11	RES-CHIP 2.7K 5% 1/16W
R633	1-218-990-11	SHORT CHIP 0
R634	1-218-989-11	RES-CHIP 1M 5% 1/16W
R635	1-218-949-11	RES-CHIP 470 5% 1/16W
R636	1-218-953-11	RES-CHIP 1K 5% 1/16W
R637	1-218-978-11	RES-CHIP 120K 5% 1/16W
R638	1-216-864-11	SHORT CHIP 0
R639	1-216-864-11	SHORT CHIP 0
R640	1-218-949-11	RES-CHIP 470 5% 1/16W
R641	1-218-949-11	RES-CHIP 470 5% 1/16W
R642	1-218-973-11	RES-CHIP 47K 5% 1/16W
R643	1-218-973-11	RES-CHIP 47K 5% 1/16W
		< COMPOSITION CIRCUIT BLOCK >
RB601	1-234-369-21	RES. NETWORK 10X4 (1005)

CAUTION :

Danger of explosion if battery is incorrectly replaced.
Replace only with the same or equivalent type.

The components identified by mark △ or dotted line with mark △ are critical for safety.
Replace only with part number specified.

Ref. No.	Part No.	Description
	A-7112-558-A	SE-140 BOARD, COMPLETE *****
		< CAPACITOR >
C401	1-127-760-11	CERAMIC CHIP 4.7uF 10% 6.3V
C402	1-125-777-11	CERAMIC CHIP 0.1uF 10% 10V
C403	1-125-777-11	CERAMIC CHIP 0.1uF 10% 10V
C405	1-127-760-11	CERAMIC CHIP 4.7uF 10% 6.3V
C406	1-119-923-11	CERAMIC CHIP 0.047uF 10% 10V
C408	1-119-923-11	CERAMIC CHIP 0.047uF 10% 10V
C409	1-119-923-11	CERAMIC CHIP 0.047uF 10% 10V
C410	1-119-923-11	CERAMIC CHIP 0.047uF 10% 10V
C411	1-137-710-11	CERAMIC CHIP 10uF 20% 6.3V
C412	1-137-710-11	CERAMIC CHIP 10uF 20% 6.3V
C413	1-137-710-11	CERAMIC CHIP 10uF 20% 6.3V
C414	1-137-710-11	CERAMIC CHIP 10uF 20% 6.3V
C416	1-127-760-11	CERAMIC CHIP 4.7uF 10% 6.3V
C417	1-162-966-11	CERAMIC CHIP 0.0022uF 10% 50V
		< CONNECTOR >
CN401	1-816-654-31	FFC/FPC CONNECTOR (LIF) 6P
CN402	1-766-344-21	CONNECTOR, FFC/FPC 14P
		< FERRITE BEAD >
FB401	1-469-179-21	INDUCTOR, FERRITE BEAD
FB402	1-469-179-21	INDUCTOR, FERRITE BEAD
FB403	1-469-179-21	INDUCTOR, FERRITE BEAD
FB404	1-469-179-21	INDUCTOR, FERRITE BEAD
FB405	1-216-864-11	SHORT CHIP 0 (Note)
FB406	1-216-864-11	SHORT CHIP 0 (Note)
FB407	1-216-864-11	SHORT CHIP 0 (Note)
		< IC >
IC401	8-759-489-19	IC uPC6756GR-8JG-E2
		< JACK >
J401	1-691-737-41	JACK (SMALL TYPE) (MIC(PLUG IN POWER))
		< COIL >
L401	1-400-588-11	INDUCTOR, LAMINATE CHIP 10uH
		< RESISTOR >
R401	1-216-864-11	SHORT CHIP 0
R402	1-218-989-11	RES-CHIP 1M 5% 1/16W
R403	1-218-965-11	RES-CHIP 10K 5% 1/16W
R404	1-218-965-11	RES-CHIP 10K 5% 1/16W
R405	1-218-989-11	RES-CHIP 1M 5% 1/16W
		< COMPOSITION CIRCUIT BLOCK >
RB401	1-234-379-21	RES, NETWORK 22KX4 (1005)
		< SENSOR >
SE401	1-476-807-41	SENSOR, ANGULAR VELOCITY (PITCH)
SE402	1-476-807-31	SENSOR, ANGULAR VELOCITY (YAW)

Ref. No.	Part No.	Description
		< VARISTOR >
VDR401	1-801-862-11	VARISTOR, CHIP (1608)
VDR402	1-801-862-11	VARISTOR, CHIP (1608)

VC-350 BOARD, COMPLETE

**Electrical parts list of the VC-350 board
are not shown.
Pages from 5-16 to 5-22 are not shown.**

Note : Short chips are mounted to the location where
FB405, FB406 and FB407 are printed.

