

## SECTION 6 EXPLODED VIEWS

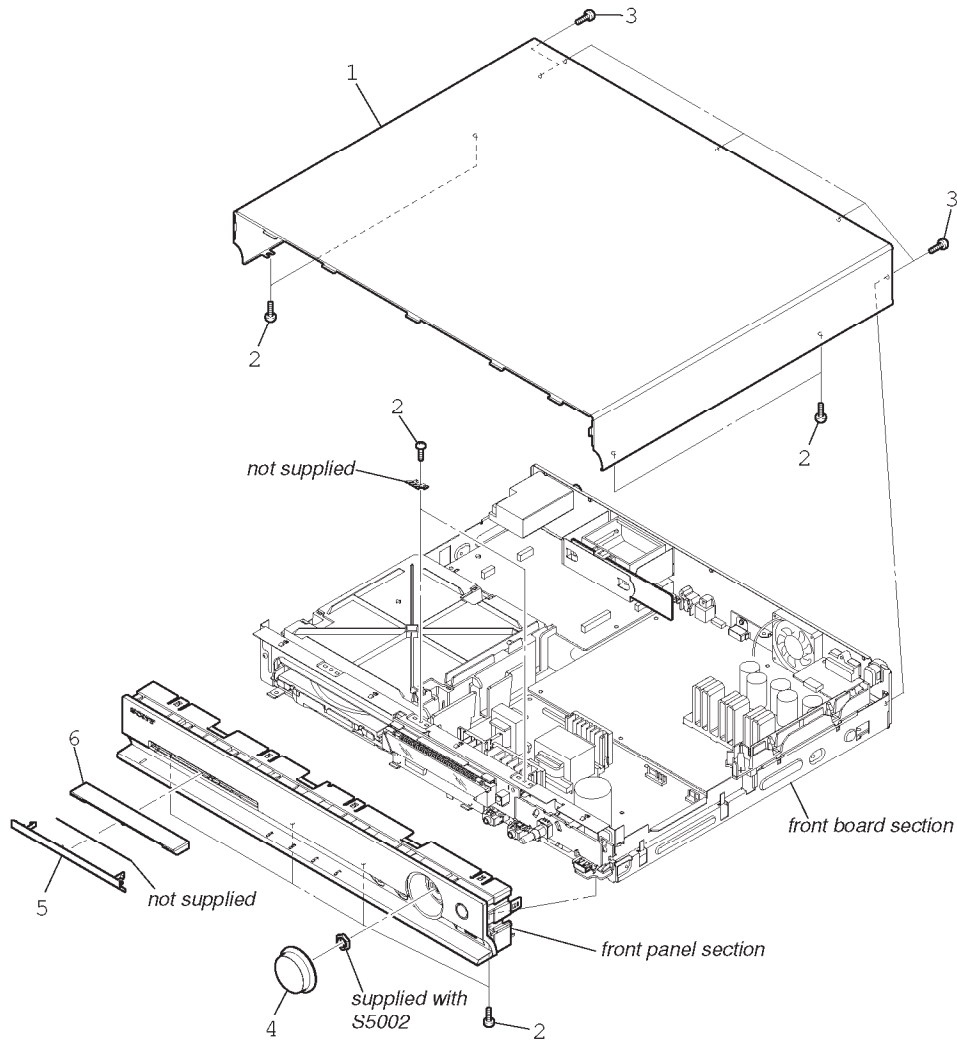
**Note:**

- -XX and -X mean standardized parts, so they may have some difference from the original one.
- Items marked "\*" are not stocked since they are seldom required for routine service. Some delay should be anticipated when ordering these items.
- The mechanical parts with no reference number in the exploded views are not supplied.
- Color Indication of Appearance Parts Example:  
KNOB, BALANCE (WHITE) . . . (RED)  
  ↑  ↑  
  Parts Color Cabinet's Color
- Accessories are given in the last of the electrical parts list.
- Abbreviation  
RU : Russian model

The components identified by mark  $\triangle$  or dotted line with mark  $\triangle$  are critical for safety.  
Replace only with part number specified.

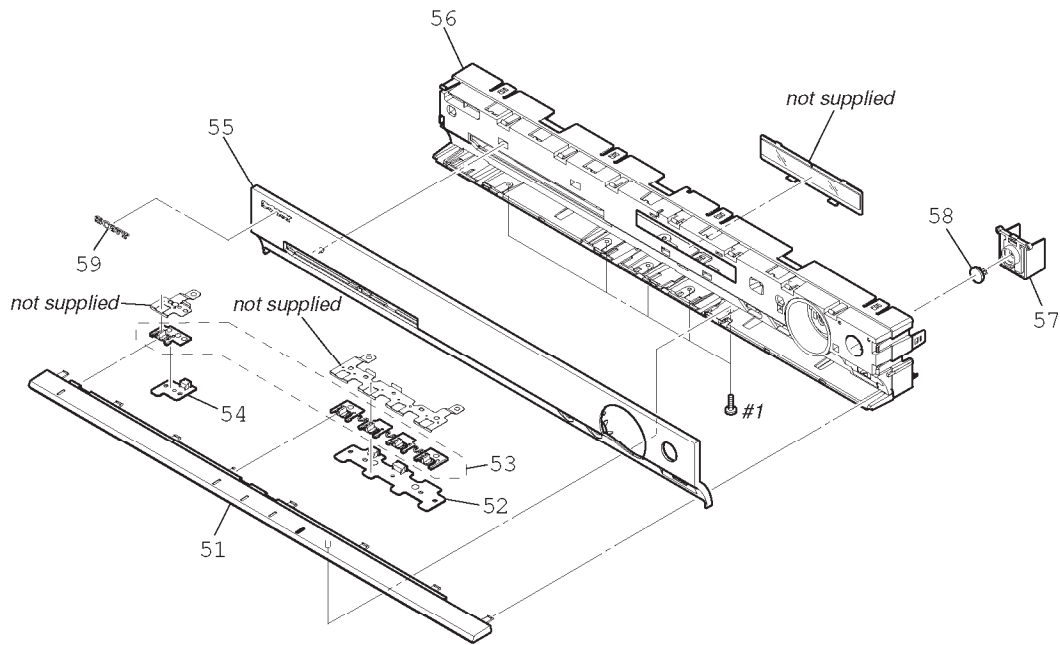
The components identified by mark  $\triangle$  contain confidential information.  
Strictly follow the instructions whenever the components are repaired and/or replaced.

### 6-1. OVERALL SECTION



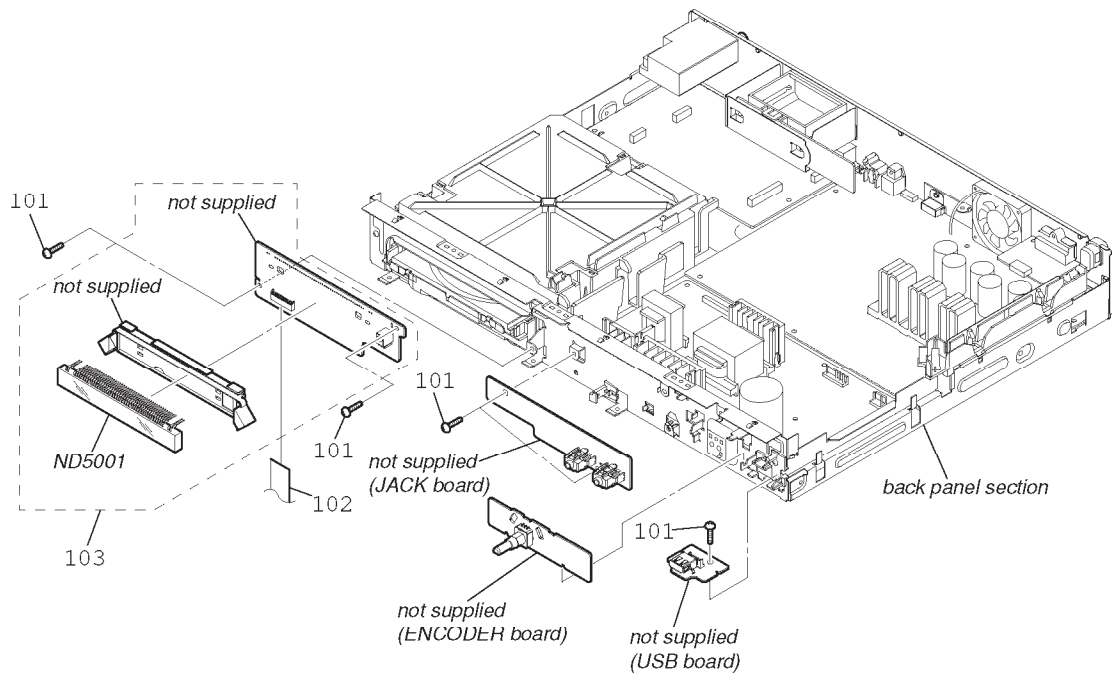
Ref. No.	Part No.	Description	Remark	Ref. No.	Part No.	Description	Remark
1	4-159-516-12	CASE (DSZ)		4	4-159-500-02	KNOB, VOL (DSZ)	
2	3-077-331-21	+BV3 (3-CR)		5	4-159-492-01	PANEL, LOADING	
3	3-077-331-11	+BV3 (3-CR)		6	4-159-493-02	BASE, LOADING	

6-2. FRONT PANEL SECTION



Ref. No.	Part No.	Description	Remark	Ref. No.	Part No.	Description	Remark
51	4-159-494-02	ESCUTCHEON (DSZ) (DZ330:AEP)		55	4-159-490-01	WINDOW (DSZ)	
51	4-168-139-12	ESCUTCHEON (DSZ-2) (DZ730)		56	4-159-491-01	BASE, FRONT (DSZ)	
51	4-168-139-22	ESCUTCHEON (DSZ-2) (DZ710)		57	4-159-496-02	BASE, BUTTON (USB)	
51	4-168-139-52	ESCUTCHEON (DSZ-2) (DZ330:UK)		58	4-159-497-01	BUTTON (USB-DSZ)	
52	A-1746-218-A	KEY-SW BOARD, COMPLETE		59	4-160-803-01	EMBLEM, SONY (4.5A)	
53	4-159-495-01	BUTTON (PLAY)		#1	7-685-504-19	SCREW +BTP 2X6 TYPE2 N-S	
54	A-1746-219-A	P-SW BOARD, COMPLETE					

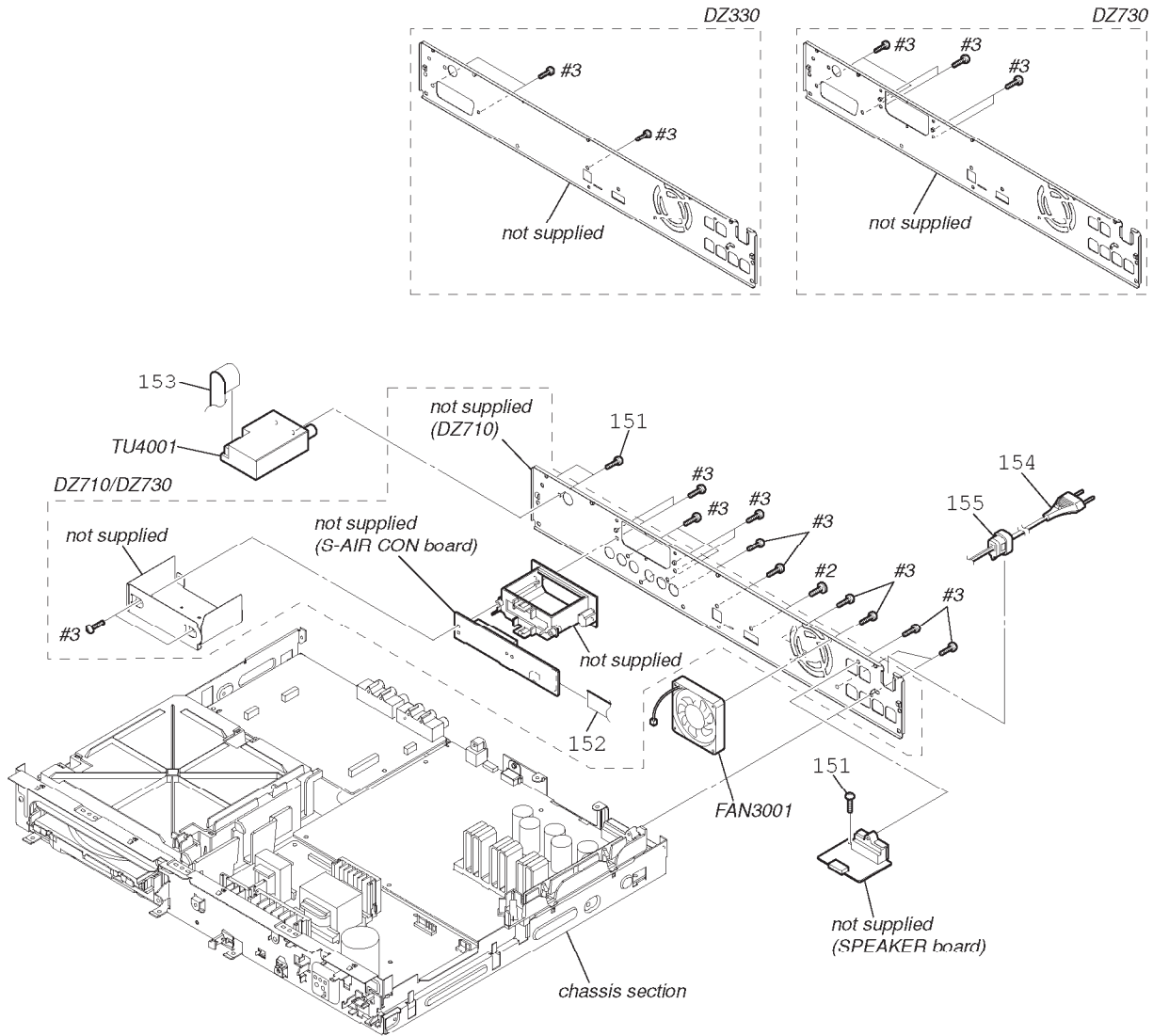
6-3. FRONT BOARDS SECTION



Note: If the wire (flat type) was replaced, fold it some as the wire (flat type) before replacement.

<u>Ref. No.</u>	<u>Part No.</u>	<u>Description</u>	<u>Remark</u>	<u>Ref. No.</u>	<u>Part No.</u>	<u>Description</u>	<u>Remark</u>
101	3-077-331-21	+BV3 (3-CR)		103	A-1746-449-A	FL BOARD, COMPLETE (DZ710)	
102	1-832-579-21	CABLE, FLEXIBLE FLAT (13 CORE)		103	A-1746-473-A	FL BOARD, COMPLETE (DZ330/DZ730)	
			(DZ330/DZ730)	ND5001	1-483-107-21	FLUORESCENT INDICATOR TUBE	
102	1-832-589-21	CABLE, FLEXIBLE FLAT (15 CORE) (DZ710)					

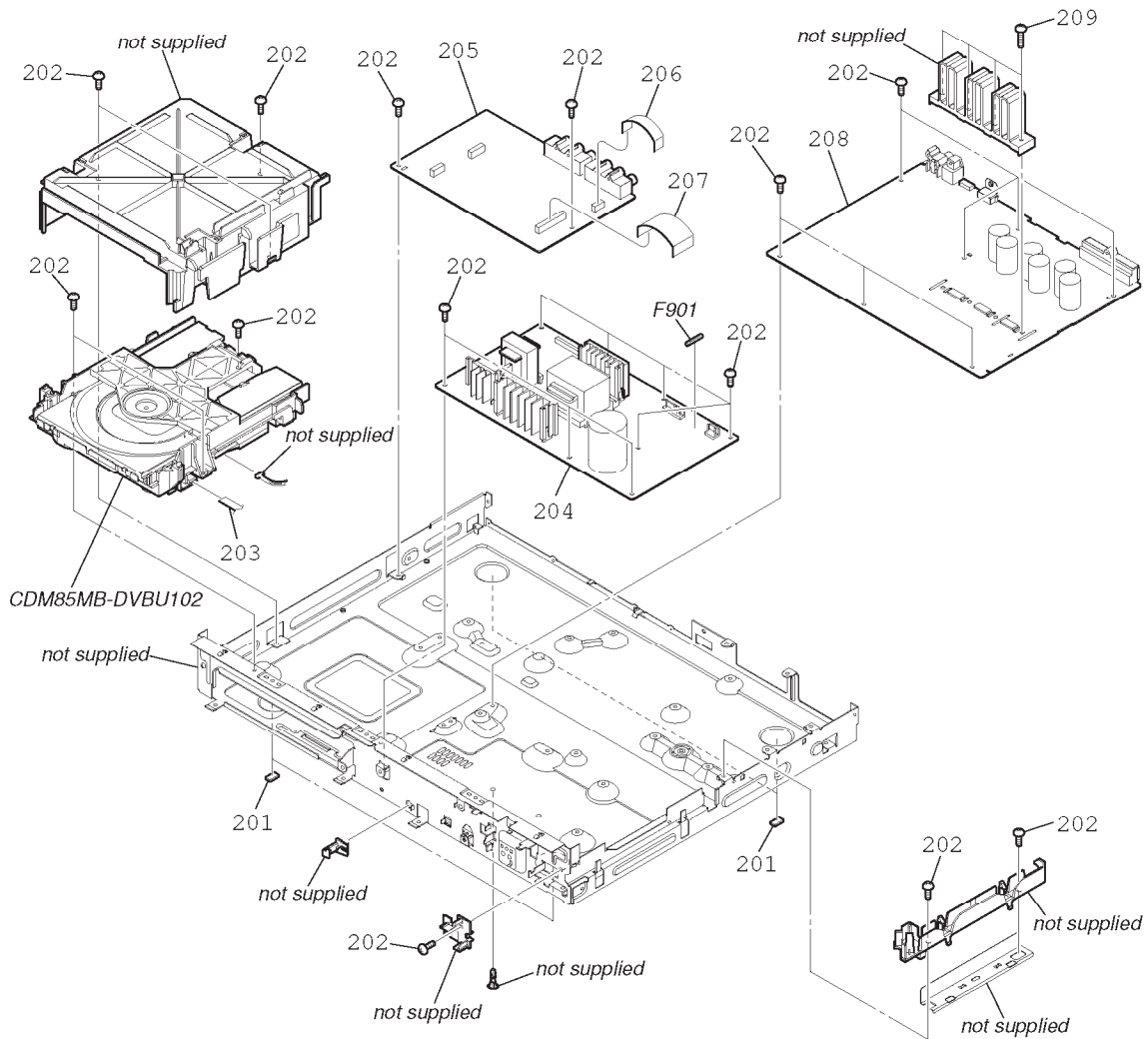
6-4. BACK PANEL SECTION



Note: If the wire (flat type) was replaced, fold it some as the wire (flat type) before replacement.

Ref. No.	Part No.	Description	Remark	Ref. No.	Part No.	Description	Remark
151	3-077-331-21	+BV3 (3-CR)		155	3-703-244-00	BUSHING, CORD (2104)	
152	1-832-576-21	CABLE, FLEXIBLE FLAT (13 CORE)	(DZ710/DZ730)	FAN3001	1-787-396-21	FAN, DC (50 SQUARE)	
153	1-832-823-21	CABLE, FLEXIBLE FLAT (11 CORE)		TU4001	1-693-787-11	TUNER (FM) (ANTENNA (COAXIAL 75Ω FM))	
△ 154	1-834-966-41	CORD, POWER-SUPPLY (AEP,RU)		#2	7-682-547-04	SCREW +B 3X6	
△ 154	1-835-078-31	CORD, POWER (UK)		#3	7-685-646-79	SCREW +BVTP 3X8 TYPE2 IT-3	

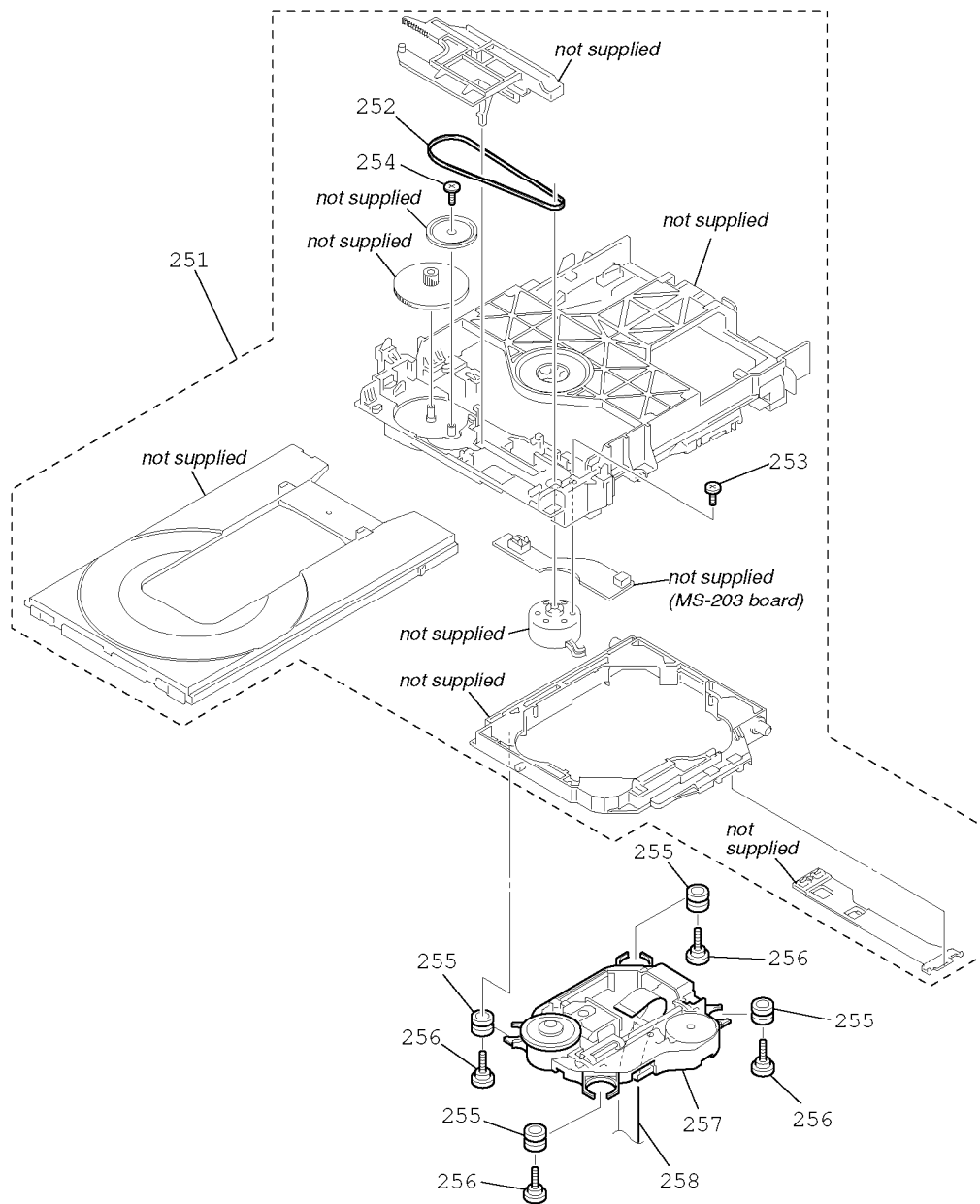
6-5. CHASSIS SECTION



Note: If the wire (flat type) was replaced, fold it some as the wire (flat type) before replacement.

Ref. No.	Part No.	Description	Remark	Ref. No.	Part No.	Description	Remark
201	4-151-413-01	CUSHION (EGD)		207	1-832-602-21	CABLE, FLEXIBLE FLAT (19 CORE)	
202	3-077-331-21	+BV3 (3-CR)					(DZ330/DZ730)
203	1-832-538-21	CABLE, FLEXIBLE FLAT (5 CORE)		207	1-832-612-21	CABLE, FLEXIBLE FLAT (21 CORE) (DZ710)	
204	A-1745-459-A	POWER BOARD, COMPLETE (DZ330)		208	A-1746-799-A	MAIN BOARD, COMPLETE (for SERVICE)	
204	A-1761-519-A	POWER BOARD, COMPLETE (DZ730)					(DZ330:AEP)
204	A-1761-521-A	POWER BOARD, COMPLETE (DZ710)		208	A-1746-800-A	MAIN BOARD, COMPLETE (for SERVICE)	
205	A-1746-476-A	IO BOARD, COMPLETE (DZ330)					(DZ330:UK)
205	A-1746-578-A	IO BOARD, COMPLETE (DZ730)		208	A-1746-810-A	MAIN BOARD, COMPLETE (for SERVICE) (DZ730)	
205	A-1746-596-A	IO BOARD, COMPLETE (DZ710)		208	A-1746-812-A	MAIN BOARD, COMPLETE (for SERVICE) (DZ710)	
206	1-832-553-21	CABLE, FLEXIBLE FLAT (9 CORE) (DZ710)		209	3-077-331-11	+BV3 (3-CR)	
206	1-832-563-21	CABLE, FLEXIBLE FLAT (11 CORE)		F901	1-576-232-51	FUSE (H.B.C.) (5A/250V)	
			(DZ330/DZ730)				

6-6. DVD MECHANISM DECK SECTION  
(CDM85MB-DVBU102)



Note: If the wire (flat type) was replaced, fold it some as the wire (flat type) before replacement.

<u>Ref. No.</u>	<u>Part No.</u>	<u>Description</u>	<u>Remark</u>	<u>Ref. No.</u>	<u>Part No.</u>	<u>Description</u>	<u>Remark</u>
251	A-1749-923-A	CDM85 (MB) ASSY		255	2-634-618-01	INSULATOR	
252	3-088-371-01	BELT		256	3-087-599-01	SCREW, INSULATOR	
253	4-974-725-11	SCREW (M1.7X2.5), P		△ 257	8-820-321-12	OPTICAL PICK-UP (KHM-313CAA/C2RP1)	
254	4-674-137-11	SCREW (PTP2X5)		258	1-828-773-51	WIRE (FLAT TYPE) (24 CORE)	