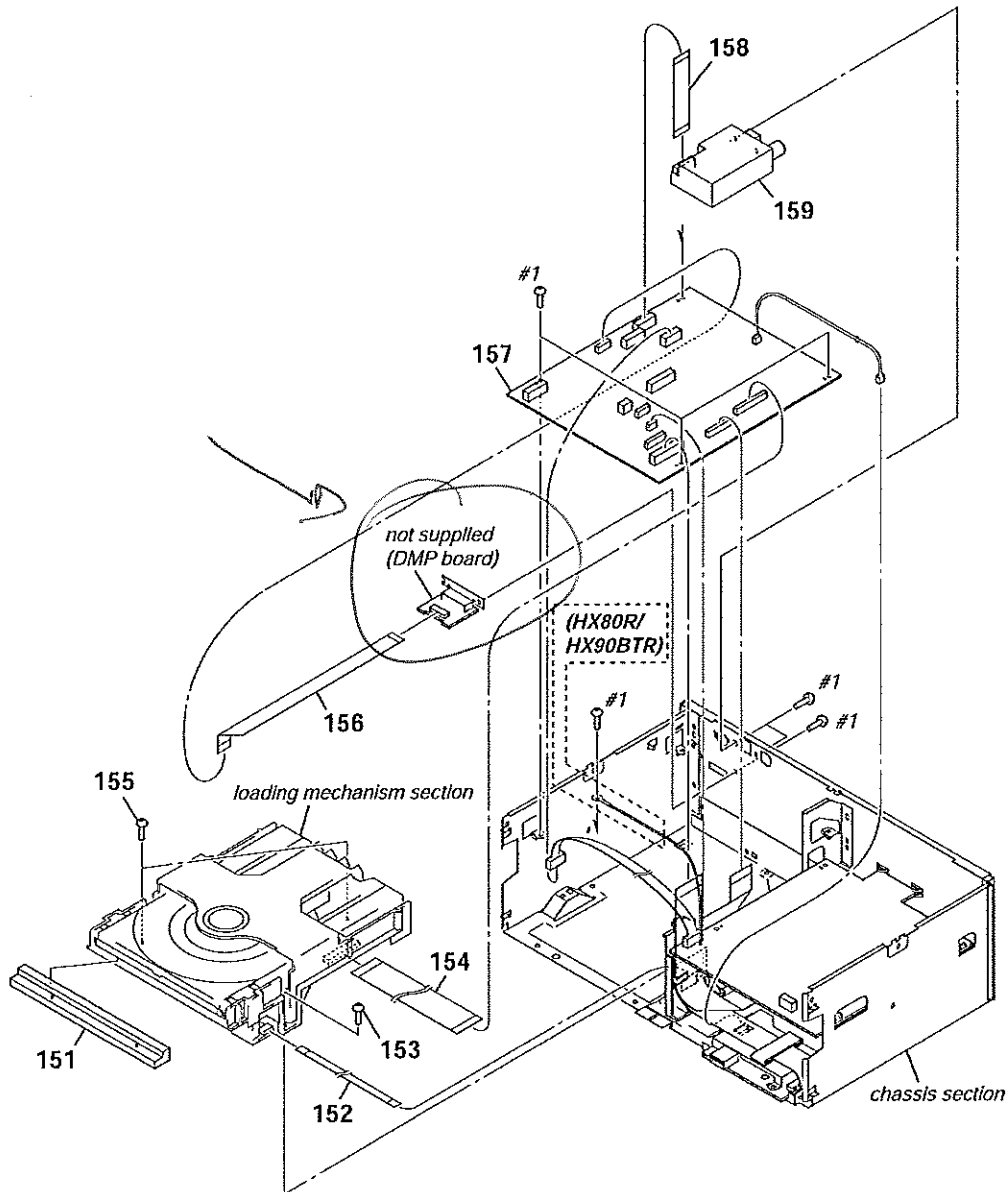


HCD-HX50BTR/HX70BTR/HX80R/HX90BTR

7-4. MAIN SECTION



Ref. No.	Part No.	Description	Remark	Ref. No.	Part No.	Description	Remark
151	3-284-479-01	PANEL (CD)		157	A-1471-280-A	MAIN BOARD, COMPLETE (HX90BTR)	
152	1-832-535-21	CABLE, FLEXIBLE FLAT (5 CORE)		157	A-1539-382-A	MAIN BOARD, COMPLETE (HX80R)	
153	3-077-331-31	+BV3 (3-CR)		158	1-831-706-21	CABLE, FLEXIBLE FLAT (11 CORE) (HX50BTR: AEP/HX70BTR/HX80R/HX90BTR)	
154	1-832-645-21	CABLE, FLEXIBLE FLAT (27 CORE)		158	1-835-398-21	CABLE, FLEXIBLE FLAT (9 CORE) (HX50BTR: CND, RU, E51, MX, SP, KR)	
155	3-077-331-21	+BV3 (3-CR)		159	1-693-759-11	TUNER (FM/AM) (HX50BTR: AEP/HX70BTR/ HX80R/HX90BTR)	
156	1-835-401-21	CABLE, FLEXIBLE FLAT (11 CORE)		159	1-693-760-11	TUNER (FM/AM) (HX50BTR: RU, KR)	
157	A-1471-264-A	MAIN BOARD, COMPLETE (HX50BTR: CND)		159	1-693-762-21	TUNER (FM/AM) (HX50BTR: CND)	
157	A-1471-266-A	MAIN BOARD, COMPLETE (HX50BTR: AEP)		159	1-693-764-21	TUNER (FM/AM) (HX50BTR: E51, MX, SP)	
157	A-1471-268-A	MAIN BOARD, COMPLETE (HX50BTR: RU)		#1	7-685-646-79	SCREW +BVTP 3X8 TYPE2 IT-3	
157	A-1471-270-A	MAIN BOARD, COMPLETE (HX50BTR: SP, KR)					
157	A-1471-272-A	MAIN BOARD, COMPLETE (HX50BTR: E51, MX)					
157	A-1471-278-A	MAIN BOARD, COMPLETE (HX70BTR)					