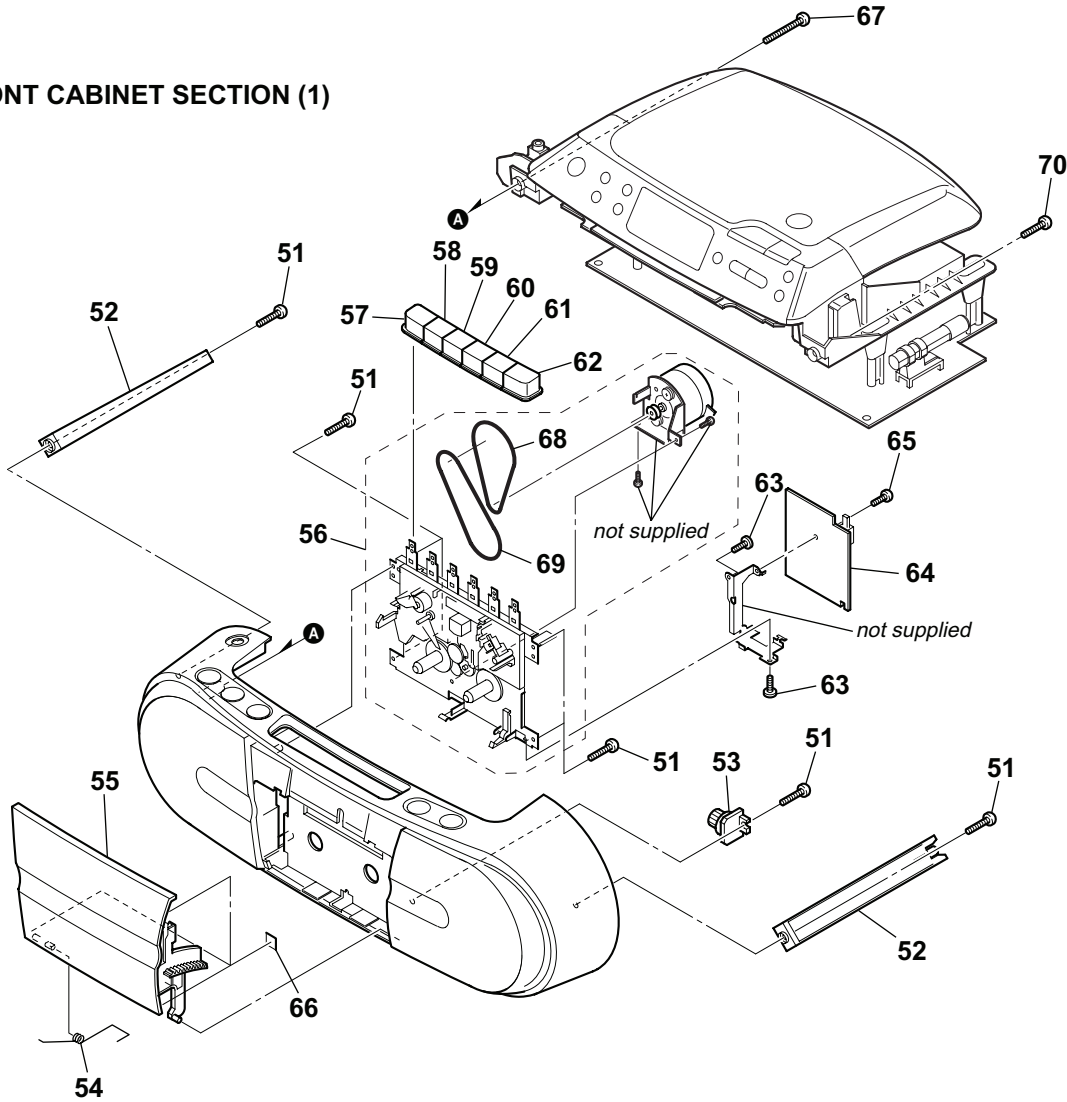


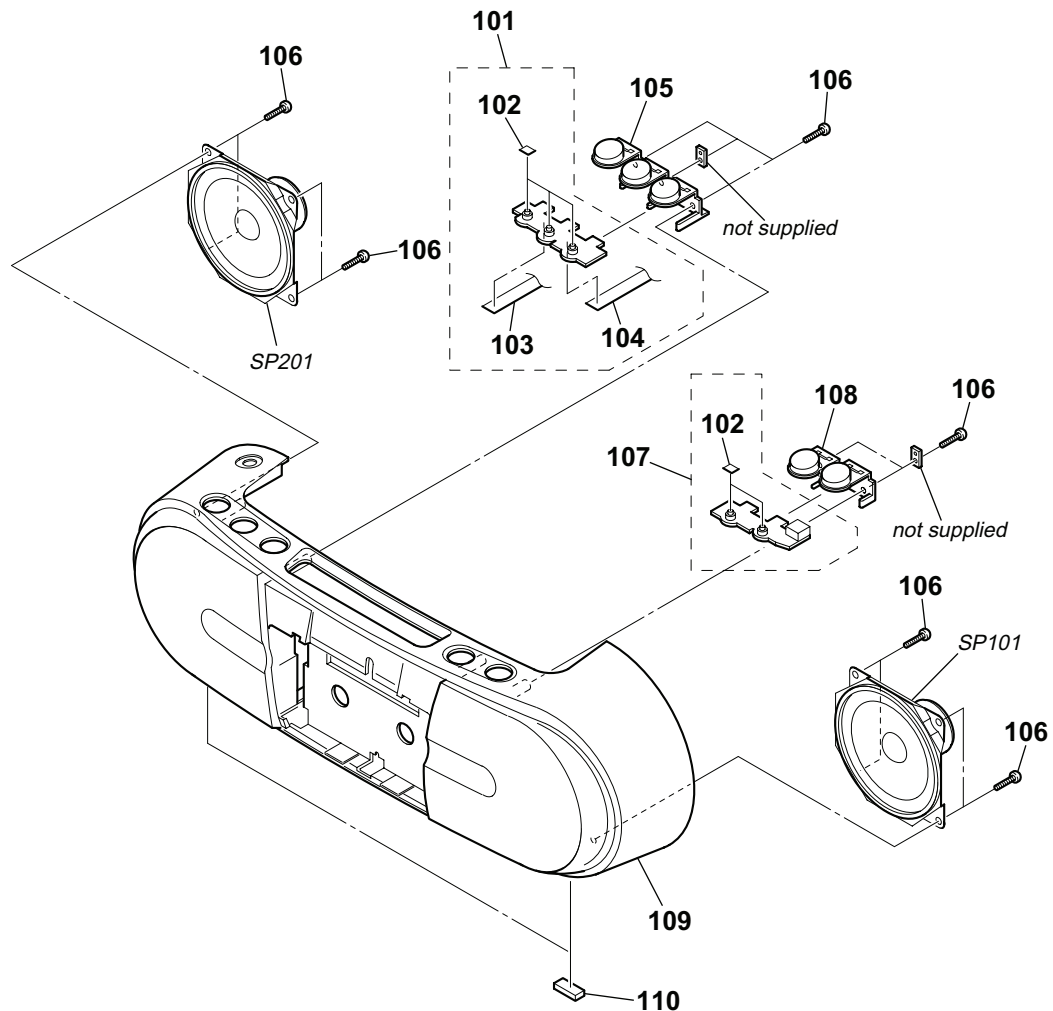
7-2. FRONT CABINET SECTION (1)



Ref. No.	Part No.	Description	Remark
51	3-252-827-01	SCREW (B2.6), (+) BV TAPPING	
52	2-655-159-02	JOINT, CABINET	
53	3-047-468-01	DAMPER	
54	2-654-071-01	SPRING, CASSETTE	
55	X-2103-302-2	HOLDER SUB ASSY, CASSETTE (BLUE)...(GRAY,SILVER) (CND,E41,E92,AUS,KR,MX,SP,AR,TH,TW,CET)	
55	X-2103-333-2	HOLDER SUB ASSY, CASSETTE (GRAY)...(SILVER) (UK,CET,IT,MX)	
55	X-2103-334-1	HOLDER SUB ASSY, CASSETTE (GRAY)...(SILVER) (AEP)	
55	X-2186-760-1	HOLDER SUB ASSY, CASSETTE (WHITE)...(WHITE,PINK) (MX)	
56	A-1283-378-A	MF-S01/C (including M901)	
57	2-654-047-01	BUTTON (PAUSE) (GRAY)...(GRAY,SILVER) (CND,E41,E92,AUS,KR,MX,SP,AR,TH,TW,CET)	
57	2-654-047-11	BUTTON (PAUSE) (GRAY)...(SILVER) (AEP,UK,CET,IT,MX)	
57	2-654-047-21	BUTTON (PAUSE) (LIGHT GRAY)...(WHITE,PINK) (MX)	
58	2-654-046-01	BUTTON (STOP) (GRAY)...(GRAY,SILVER) (CND,E41,E92,AUS,KR,MX,SP,AR,TH,TW,CET)	
58	2-654-046-11	BUTTON (STOP) (GRAY)...(SILVER) (AEP,UK,CET,IT,MX)	
58	2-654-046-21	BUTTON (STOP) (LIGHT GRAY)...(WHITE,PINK) (MX)	
59	2-654-045-01	BUTTON (REW) (GRAY)...(GRAY,SILVER) (CND,E41,E92,AUS,KR,MX,SP,AR,TH,TW,CET)	
59	2-654-045-11	BUTTON (REW) (GRAY)...(SILVER) (AEP,UK,CET,IT,MX)	

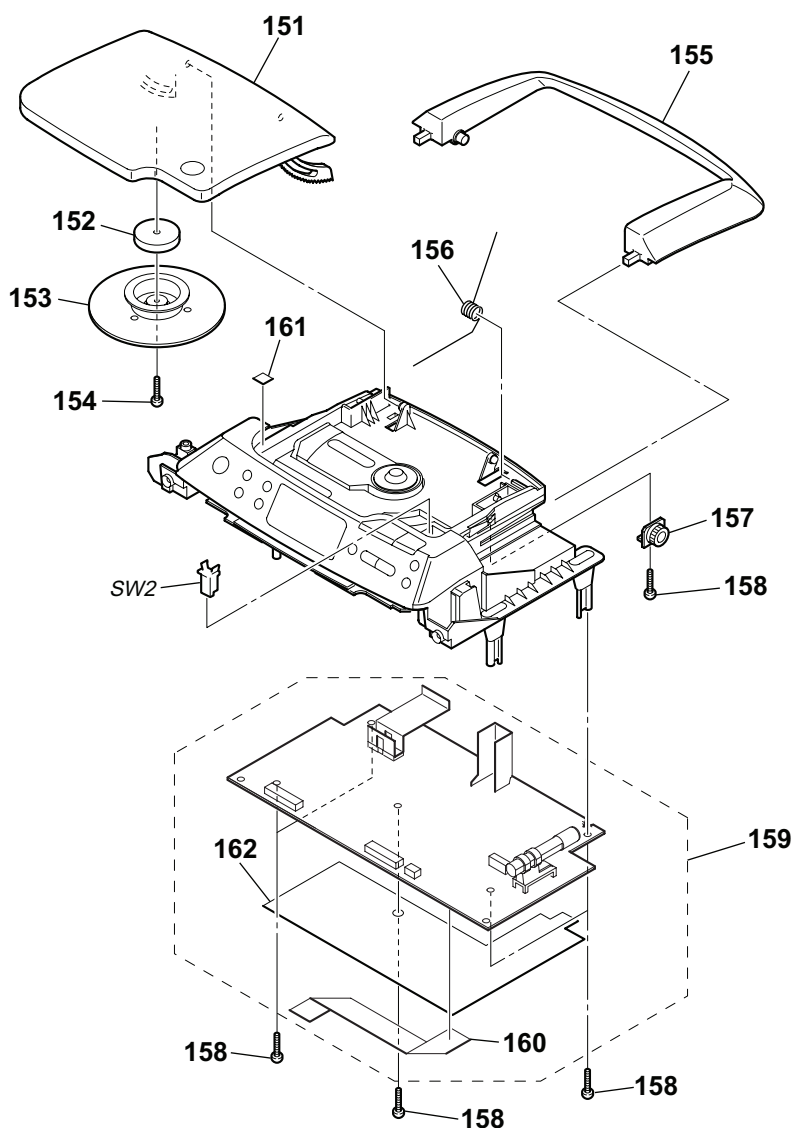
Ref. No.	Part No.	Description	Remark
59	2-654-045-21	BUTTON (REW) (LIGHT GRAY)...(WHITE,PINK) (MX)	
60	2-654-044-01	BUTTON (FF) (GRAY)...(GRAY,SILVER) (CND,E41,E92,AUS,KR,MX,SP,AR,TH,TW,CET)	
60	2-654-044-11	BUTTON (FF) (GRAY)...(SILVER) (AEP,UK,CET,IT,MX)	
60	2-654-044-21	BUTTON (FF) (LIGHT GRAY)...(WHITE,PINK) (MX)	
61	2-654-042-01	BUTTON (PLAY) (GRAY)...(GRAY,SILVER) (CND,E41,E92,AUS,KR,MX,SP,AR,TH,TW,CET)	
61	2-654-042-11	BUTTON (PLAY) (GRAY)...(SILVER) (AEP,UK,CET,IT,MX)	
61	2-654-042-21	BUTTON (PLAY) (LIGHT GRAY)...(WHITE,PINK) (MX)	
62	2-654-043-01	BUTTON (REC) (GRAY)...(GRAY,SILVER) (CND,E41,E92,AUS,KR,MX,SP,AR,TH,TW,CET)	
62	2-654-043-11	BUTTON (REC) (GRAY)...(SILVER) (AEP,UK,CET,IT,MX)	
62	2-654-043-21	BUTTON (REC) (LIGHT GRAY)...(WHITE,PINK) (MX)	
63	3-254-029-01	SCREW	
64	A-1156-999-A	TC BOARD, COMPLETE (AEP,UK,CET,IT,KR)	
64	A-1158-597-A	TC BOARD, COMPLETE (CND,E41,E92,AUS,MX,SP,AR,TH,TW)	
65	3-253-143-01	SCREW (B2.6), (+) P TAPPING	
66	3-923-151-01	CUSHION, RUBBER	
67	3-254-141-01	SCREW (B2.6), (+) BV TAPPING	
68	2-670-389-01	BELT (1)	
69	3-214-817-01	BELT (FR)	
70	3-254-140-01	SCREW (B2.6), (+) BV TAPPING	

7-3. FRONT CABINET SECTION (2)



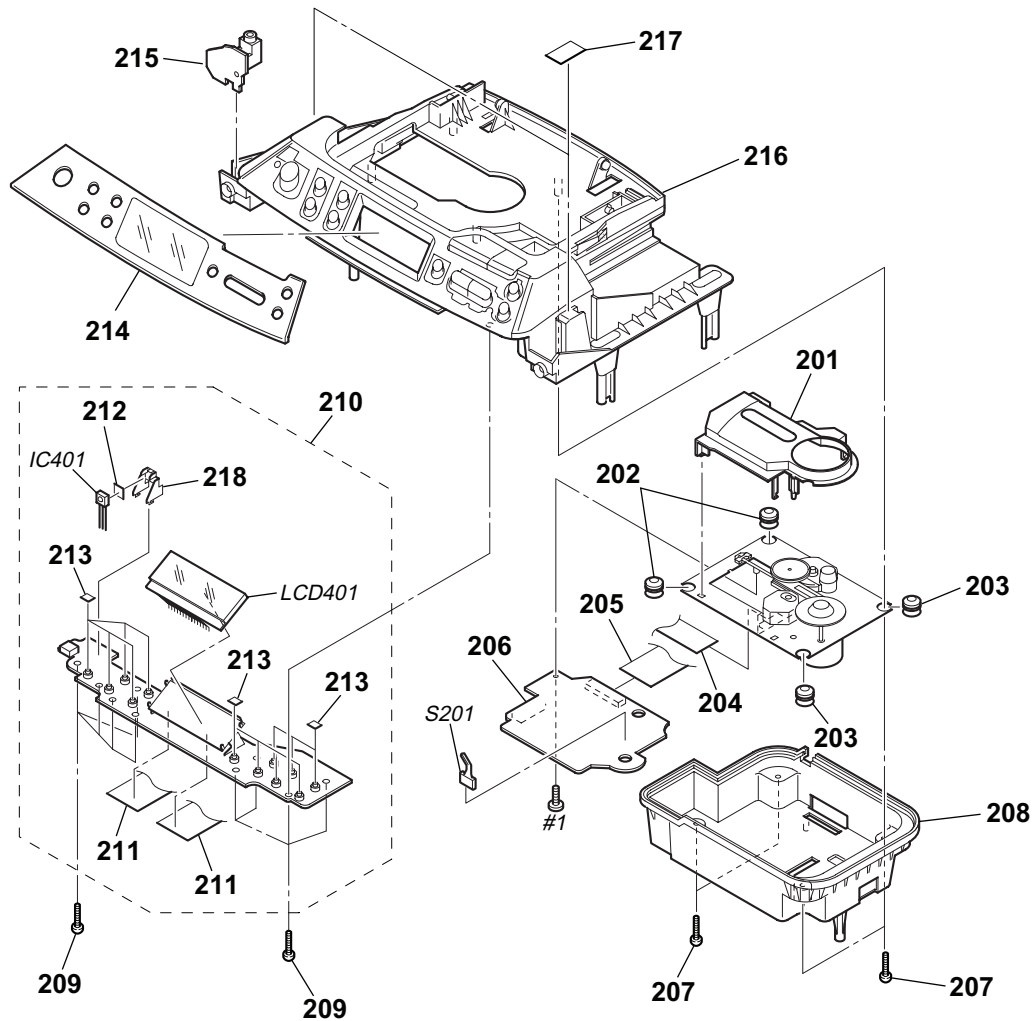
Ref. No.	Part No.	Description	Remark	Ref. No.	Part No.	Description	Remark
101	A-1157-000-A	KEY-1 BOARD, COMPLETE		109	X-2103-199-1	CABINET (FRONT) SUB ASSY (SILVER)...(SILVER) (AEP,UK,CET,IT)	
102	3-831-441-99	SHEET (1)		109	X-2103-301-1	CABINET (FRONT) SUB ASSY (GUNMETALLIC)...(GRAY) (E41,E92,MX,AR)	
103	1-831-616-11	CABLE, FLEXIBLE FLAT (4 CORE)		109	X-2103-331-1	CABINET (FRONT) SUB ASSY (SILVER)...(SILVER) (AUS,KR,SP,TH,TW,CET)	
104	1-831-613-11	CABLE, FLEXIBLE FLAT (4 CORE)		109	X-2186-747-1	CABINET (FRONT) SUB ASSY (SILVER)...(SILVER) (MX)	
105	2-654-050-02	BUTTON (FUNC) (BLUE)...(GRAY,SILVER)		109	X-2186-759-1	CABINET (FRONT) SUB ASSY (WHITE)...(WHITE) (MX)	
105	2-654-050-31	BUTTON (FUNC) (WHITE)...(WHITE,PINK)		109	X-2186-764-1	CABINET (FRONT) SUB ASSY (PINK)...(PINK) (MX)	
106	3-252-827-01	SCREW (B2.6), (+) BV TAPPING		110	3-040-916-01	FOOT (FRONT), RUBBER	
107	A-1157-002-A	KEY-2 BOARD, COMPLETE		SP101	1-826-280-11	SPEAKER (7.7cm) (L-CH)	
108	2-654-051-01	BUTTON (VOLUME) (GRAY)...(GRAY) (CND,E41,E92,MX,AR)		SP201	1-826-280-11	SPEAKER (7.7cm) (R-CH)	
108	2-654-051-11	BUTTON (VOLUME) (LIGHT GRAY)...(SILVER) (EXCEPT CND,E41,E92,MX,AR,TW,MX)					
108	2-654-051-21	BUTTON (VOLUME) (WHITE)...(WHITE) (MX)					
108	2-654-051-31	BUTTON (VOLUME) (PINK)...(PINK) (MX)					
109	X-2102-579-1	CABINET (FRONT) SUB ASSY (GUNMETALLIC)...(GRAY) (CND)					

7-4. UPPER CABINET SECTION (1)



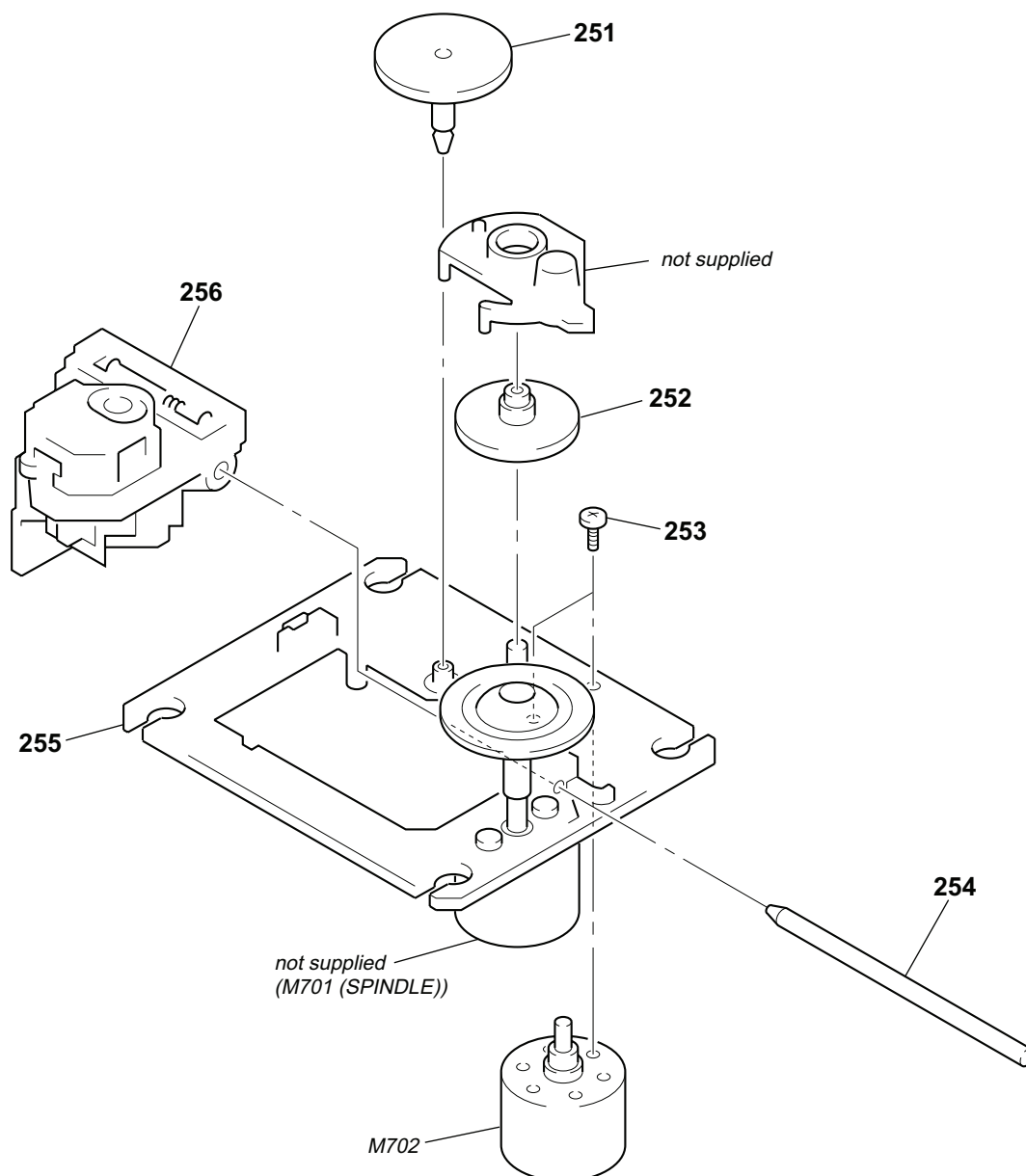
Ref. No.	Part No.	Description	Remark	Ref. No.	Part No.	Description	Remark
151	2-654-053-21	LID, CD (GRAY)...(SILVER) (AEP,UK,CET,IT,MX)		158	3-252-827-01	SCREW (B2.6), (+) BV TAPPING	
151	2-654-053-31	LID, CD (BLUE)...(GRAY,SILVER) (CND,E41,E92,AUS,KR,MX,SP,AR,TH,TW,CET)		159	A-1157-008-A	MAIN BOARD, COMPLETE (CND,E92,MX)	
151	2-654-053-81	LID, CD (WHITE)...(WHITE,PINK) (MX)		159	A-1157-365-A	MAIN BOARD, COMPLETE (E41,SP,TH)	
152	1-452-899-11	MAGNET		159	A-1157-386-A	MAIN BOARD, COMPLETE (UK,CET,IT)	
153	3-019-395-01	PLATE, CHUCKING		159	A-1157-391-A	MAIN BOARD, COMPLETE (AEP)	
154	3-253-143-01	SCREW (B2.6), (+) P TAPPING		159	A-1157-967-A	MAIN BOARD, COMPLETE (AUS,KR,TW)	
155	2-654-056-01	HANDLE (BLUE)...(GRAY,SILVER) (CND,E41,E92,AUS,KR,MX,SP,AR,TH,TW,CET)		159	A-1157-973-A	MAIN BOARD, COMPLETE (AR)	
155	2-654-056-11	HANDLE (GRAY)...(SILVER) (AEP,UK,CET,IT,MX)		160	1-832-008-11	CABLE, FLEXIBLE FLAT (14 CORE)	
155	2-654-056-21	HANDLE (WHITE)...(WHITE,PINK) (MX)		161	3-923-151-01	CUSHION, RUBBER	
156	2-654-072-01	SPRING, CD		162	2-674-958-01	PAPER (MAIN), SHIELD	
157	3-047-468-21	DAMPER		SW2	1-692-960-21	SWITCH, PUSH (1 KEY)	(▲ PUSH OPEN/CLOSE)

7-5. UPPER CABINET SECTION (2)



Ref. No.	Part No.	Description	Remark	Ref. No.	Part No.	Description	Remark
201	3-923-736-01	COVER, CD		214	2-654-058-31	WINDOW, LCD (CLEAR)...(SILVER,PINK) (MX)	
202	3-931-379-21	RUBBER, VIBRATION PROOF (RED)		214	2-654-058-41	WINDOW, LCD (GLASS)...(WHITE) (MX)	
203	3-931-379-31	RUBBER, VIBRATION PROOF (GREEN)		215	A-1154-900-A	HEADPHONE BOARD, COMPLETE	
204	1-832-404-21	CABLE, FLEXIBLE FLAT (16 CORE)		216	X-2103-303-2	CABINET (UPPER) SUB ASSY (BLUE)...(GRAY,SILVER) (CND,E41,E92,AUS,KR,MX,SP,AR,TH,TW,CET)	
205	1-831-973-21	CABLE, FLEXIBLE FLAT (23 CORE)		216	X-2103-332-2	CABINET (UPPER) SUB ASSY (GRAY)...(SILVER) (AEP,UK,CET,IT)	
206	A-1134-279-A	BD83S BOARD, COMPLETE		216	X-2186-748-1	CABINET (UPPER) SUB ASSY (GRAY)...(SILVER) (MX)	
207	3-252-827-01	SCREW (B2.6), (+) BV TAPPING		216	X-2186-761-1	CABINET (UPPER) SUB ASSY (WHITE)...(WHITE,PINK) (MX)	
208	2-654-055-21	CHASSIS, CD		217	3-831-441-11	CUSHION (D)	
209	3-254-151-01	SCREW (B2.6), (+) P TAPPING		218	2-654-085-01	HOLDER, IR	
210	A-1157-006-A	PANEL BOARD, COMPLETE		IC401	6-600-108-01	IC RPM7140 (IR)	
211	1-832-009-11	CABLE, FLEXIBLE FLAT (20 CORE)		LCD401	1-802-046-11	DISPLAY PANEL, LIQUID CRYSTAL	
212	2-673-399-01	SHEET (IR), ADHESIVE		S201	1-771-853-11	SWITCH, DETECTION (LIMIT)	
213	3-831-441-99	SHEET (1)		#1	7-685-853-04	SCREW +BVTT 2X6 (S)	
214	2-654-058-01	WINDOW, LCD (CLEAR)...(GRAY,SILVER) (CND,E41,E92,AUS,KR,MX,SP,AR,TH,TW)					
214	2-654-058-12	WINDOW, LCD (GLASS)...(SILVER) (AEP,UK,CET,IT)					
214	2-654-058-21	WINDOW, LCD (CLEAR)...(SILVER) (CET)					

7-6. CD MECHANISM SECTION
(KSM-213CDP)



Ref. No.	Part No.	Description	Remark	Ref. No.	Part No.	Description	Remark
251	2-626-907-11	GEAR (A)		255	X-2162-709-2	CHASSIS ASSY (CDP), MOTOR (SPINDLE) (including M701)	
252	2-627-003-01	GEAR (B) (RP)		△256	8-848-483-12	OPTICAL PICK-UP (KSS-213C/C2RP)	
253	2-174-500-01	SCREW (2X3)		M702	X-2625-769-1	GEAR ASSY (MB) (RP), MOTOR (SLED)	
254	2-626-908-01	SHAFT, SLED					

SECTION 8 ELECTRICAL PARTS LIST

BATTERY-1

BATTERY-2

BD83S

NOTE:

- Due to standardization, replacements in the parts list may be different from the parts specified in the diagrams or the components used on the set.
- RESISTORS
All resistors are in ohms.
METAL: Metal-film resistor.
METAL OXIDE: Metal oxide-film resistor.
F: nonflammable
- Items marked "*" are not stocked since they are seldom required for routine service. Some delay should be anticipated when ordering these items.
- SEMICONDUCTORS
In each case, u : μ , for example:
uA.. : μ A.. uPA.. : μ PA..
uPB.. : μ PB.. uPC.. : μ PC.. uPD.. : μ PD..

- CAPACITORS
uF : μ F
- COILS
uH : μ H
- Abbreviation
CND : Canadian model
CET : East European & Russian model
E41 : AC 230V area in E model
E92 : AC 120V area in E model
AUS : Australian model
KR : Korea model
MX : Mexican model
SP : Singapore model
IT : Italian model
AR : Argentina model
TH : Thai model
TW : Taiwan model

The components identified by mark Δ or dotted line with mark Δ are critical for safety. Replace only with part number specified.

Les composants identifiés par une marque Δ sont critiques pour la sécurité. Ne les remplacer que par une pièce portant le numéro spécifié.

When indicating parts by reference number, please include the board.

Ref. No.	Part No.	Description	Remark	Ref. No.	Part No.	Description	Remark
	A-1157-013-A	BATTERY-1 BOARD, COMPLETE *****		C220	1-164-360-11	CERAMIC CHIP 0.1uF	16V
	3-229-975-01	SPRING, BATTERY (-) < CONNECTOR >		C221	1-164-360-11	CERAMIC CHIP 0.1uF	16V
CN903	1-815-550-11	PIN, CONNECTOR (PWB) 2P *****		C222	1-164-360-11	CERAMIC CHIP 0.1uF	16V
	A-1157-012-A	BATTERY-2 BOARD, COMPLETE *****		C223	1-164-360-11	CERAMIC CHIP 0.1uF	16V
	3-229-975-01	SPRING, BATTERY (-) *****		C224	1-164-360-11	CERAMIC CHIP 0.1uF	16V
	A-1134-279-A	BD83S BOARD, COMPLETE ***** < CAPACITOR >		C226	1-165-908-11	CERAMIC CHIP 1uF 10%	10V
C101	1-162-919-11	CERAMIC CHIP 22PF 5%	50V	C227	1-165-908-11	CERAMIC CHIP 1uF 10%	10V
C102	1-162-919-11	CERAMIC CHIP 22PF 5%	50V	C230	1-162-927-11	CERAMIC CHIP 100PF 5%	50V
C103	1-162-919-11	CERAMIC CHIP 22PF 5%	50V	C232	1-164-360-11	CERAMIC CHIP 0.1uF	16V
C104	1-164-230-11	CERAMIC CHIP 220PF 5%	50V	C251	1-164-315-11	CERAMIC CHIP 470PF 5%	50V
C105	1-162-919-11	CERAMIC CHIP 22PF 5%	50V	C252	1-162-968-11	CERAMIC CHIP 0.0047uF 10%	50V
C107	1-164-230-11	CERAMIC CHIP 220PF 5%	50V	C253	1-164-315-11	CERAMIC CHIP 470PF 5%	50V
C108	1-164-230-11	CERAMIC CHIP 220PF 5%	50V	C254	1-162-968-11	CERAMIC CHIP 0.0047uF 10%	50V
C109	1-164-230-11	CERAMIC CHIP 220PF 5%	50V	C256	1-107-826-11	CERAMIC CHIP 0.1uF 10%	16V
C110	1-164-230-11	CERAMIC CHIP 220PF 5%	50V	C257	1-107-826-11	CERAMIC CHIP 0.1uF 10%	16V
C111	1-164-230-11	CERAMIC CHIP 220PF 5%	50V	C258	1-164-230-11	CERAMIC CHIP 220PF 5%	50V
C112	1-162-919-11	CERAMIC CHIP 22PF 5%	50V	C260	1-117-863-11	CERAMIC CHIP 0.47uF 10%	6.3V
C113	1-162-919-11	CERAMIC CHIP 22PF 5%	50V	C261	1-162-970-11	CERAMIC CHIP 0.01uF 10%	25V
C201	1-128-995-21	ELECT CHIP 100uF 20%	10V	C264	1-162-964-11	CERAMIC CHIP 0.001uF 10%	50V
C202	1-164-360-11	CERAMIC CHIP 0.1uF	16V	C265	1-107-826-11	CERAMIC CHIP 0.1uF 10%	16V
C203	1-128-995-21	ELECT CHIP 100uF 20%	10V	C266	1-162-915-11	CERAMIC CHIP 10PF 0.5PF	50V
C204	1-164-360-11	CERAMIC CHIP 0.1uF	16V	C267	1-162-910-11	CERAMIC CHIP 5PF 0.25PF	50V
C205	1-164-360-11	CERAMIC CHIP 0.1uF	16V	C268	1-162-915-11	CERAMIC CHIP 10PF 0.5PF	50V
C206	1-164-360-11	CERAMIC CHIP 0.1uF	16V	C271	1-107-826-11	CERAMIC CHIP 0.1uF 10%	16V
C207	1-128-995-21	ELECT CHIP 100uF 20%	10V	C272	1-164-360-11	CERAMIC CHIP 0.1uF	16V
C208	1-164-360-11	CERAMIC CHIP 0.1uF	16V	C273	1-164-315-11	CERAMIC CHIP 470PF 5%	50V
C210	1-164-360-11	CERAMIC CHIP 0.1uF	16V	C274	1-107-826-11	CERAMIC CHIP 0.1uF 10%	16V
C213	1-164-360-11	CERAMIC CHIP 0.1uF	16V	C275	1-162-910-11	CERAMIC CHIP 5PF 0.25PF	50V
C214	1-164-360-11	CERAMIC CHIP 0.1uF	16V	C276	1-165-908-11	CERAMIC CHIP 1uF 10%	10V
C215	1-164-360-11	CERAMIC CHIP 0.1uF	16V	C277	1-165-908-11	CERAMIC CHIP 1uF 10%	10V
C217	1-164-360-11	CERAMIC CHIP 0.1uF	16V	C291	1-164-315-11	CERAMIC CHIP 470PF 5%	50V
C218	1-164-360-11	CERAMIC CHIP 0.1uF	16V	C292	1-164-315-11	CERAMIC CHIP 470PF 5%	50V
C219	1-164-360-11	CERAMIC CHIP 0.1uF	16V	C301	1-164-360-11	CERAMIC CHIP 0.1uF	16V
				C303	1-137-710-11	CERAMIC CHIP 10uF 20%	6.3V
				C304	1-165-908-11	CERAMIC CHIP 1uF 10%	10V
				C321	1-162-964-11	CERAMIC CHIP 0.001uF 10%	50V
				C322	1-165-908-11	CERAMIC CHIP 1uF 10%	10V
				C323	1-128-995-21	ELECT CHIP 100uF 20%	10V
				C401	1-128-394-11	ELECT CHIP 220uF 20%	10V
				C404	1-164-360-11	CERAMIC CHIP 0.1uF	16V
				C405	1-164-360-11	CERAMIC CHIP 0.1uF	16V
				C406	1-164-360-11	CERAMIC CHIP 0.1uF	16V
				C424	1-164-360-11	CERAMIC CHIP 0.1uF	16V
				C451	1-165-176-11	CERAMIC CHIP 0.047uF 10%	16V

CFD-S03CP/S03CPL

BD83S **HEADPHONE** **KEY-1** **KEY-2**

Ref. No.	Part No.	Description	Remark
		< CONNECTOR >	
CN102	1-770-706-21	CONNECTOR, FFC/FPC 23P	
CN301	1-770-425-51	CONNECTOR, FFC/FPC 16P	
		< IC >	
IC201	8-753-246-30	IC CXD3014A-201R	
IC202	6-708-736-01	IC BD18KA5FP-E2	
IC402	6-705-808-01	IC BA5947FM-E2	
		< TRANSISTOR >	
Q321	6-551-120-01	TRANSISTOR 2SA2119K	
		< RESISTOR >	
R101	1-216-809-11	METAL CHIP 100 5%	1/10W
R102	1-216-809-11	METAL CHIP 100 5%	1/10W
R103	1-216-809-11	METAL CHIP 100 5%	1/10W
R104	1-216-809-11	METAL CHIP 100 5%	1/10W
R105	1-216-809-11	METAL CHIP 100 5%	1/10W
R107	1-216-809-11	METAL CHIP 100 5%	1/10W
R108	1-216-809-11	METAL CHIP 100 5%	1/10W
R109	1-216-809-11	METAL CHIP 100 5%	1/10W
R110	1-216-809-11	METAL CHIP 100 5%	1/10W
R111	1-216-809-11	METAL CHIP 100 5%	1/10W
R112	1-216-809-11	METAL CHIP 100 5%	1/10W
R113	1-216-809-11	METAL CHIP 100 5%	1/10W
R201	1-216-295-11	SHORT CHIP 0	
R202	1-216-295-11	SHORT CHIP 0	
R203	1-500-445-21	FERRITE, EMI (SMD) (2012)	
R207	1-216-295-11	SHORT CHIP 0	
R250	1-216-857-11	METAL CHIP 1M 5%	1/10W
R252	1-216-833-11	METAL CHIP 10K 5%	1/10W
R253	1-216-821-11	METAL CHIP 1K 5%	1/10W
R254	1-216-833-11	METAL CHIP 10K 5%	1/10W
R255	1-216-821-11	METAL CHIP 1K 5%	1/10W
R256	1-216-837-11	METAL CHIP 22K 5%	1/10W
R257	1-216-845-11	METAL CHIP 100K 5%	1/10W
R258	1-216-849-11	METAL CHIP 220K 5%	1/10W
R260	1-216-864-11	SHORT CHIP 0	
R265	1-216-829-11	METAL CHIP 4.7K 5%	1/10W
R266	1-216-821-11	METAL CHIP 1K 5%	1/10W
R267	1-216-829-11	METAL CHIP 4.7K 5%	1/10W
R268	1-216-833-11	METAL CHIP 10K 5%	1/10W
R270	1-216-821-11	METAL CHIP 1K 5%	1/10W
R271	1-216-857-11	METAL CHIP 1M 5%	1/10W
R275	1-216-809-11	METAL CHIP 100 5%	1/10W
R276	1-216-841-11	METAL CHIP 47K 5%	1/10W
R277	1-216-809-11	METAL CHIP 100 5%	1/10W
R278	1-216-809-11	METAL CHIP 100 5%	1/10W
R280	1-216-864-11	SHORT CHIP 0	
R291	1-216-809-11	METAL CHIP 100 5%	1/10W
R292	1-216-809-11	METAL CHIP 100 5%	1/10W
R321	1-216-789-11	METAL CHIP 2.2 5%	1/10W
R322	1-216-789-11	METAL CHIP 2.2 5%	1/10W
R323	1-216-864-11	SHORT CHIP 0	
R324	1-216-845-11	METAL CHIP 100K 5%	1/10W
R401	1-216-295-11	SHORT CHIP 0	
R421	1-216-864-11	SHORT CHIP 0	

Ref. No.	Part No.	Description	Remark
R423	1-216-833-11	METAL CHIP 10K 5%	1/10W
R451	1-216-837-11	METAL CHIP 22K 5%	1/10W
R452	1-216-833-11	METAL CHIP 10K 5%	1/10W
		< VIBRATOR >	
X201	1-795-101-21	VIBRATOR, CERAMIC (16.93MHZ)	

A-1154-900-A		HEADPHONE BOARD, COMPLETE	

		< CAPACITOR >	
C116	1-162-964-11	CERAMIC CHIP 0.001uF 10%	50V
C216	1-162-964-11	CERAMIC CHIP 0.001uF 10%	50V
		< CONNECTOR >	
CN308	1-815-445-11	PIN, CONNECTOR (PWB) 4P	
		< JACK >	
J321	1-815-325-11	JACK (♁)	
		< RESISTOR >	
R146	1-216-809-11	METAL CHIP 100 5%	1/10W
R148	1-216-805-11	METAL CHIP 47 5%	1/10W
R246	1-216-809-11	METAL CHIP 100 5%	1/10W
R248	1-216-805-11	METAL CHIP 47 5%	1/10W

A-1157-000-A		KEY-1 BOARD, COMPLETE	

1-831-613-11		CABLE, FLEXIBLE FLAT (4 CORE) (FFC412)	
1-831-616-11		CABLE, FLEXIBLE FLAT (4 CORE) (FFC411)	
3-831-441-99		SHEET (1)	
		< RESISTOR >	
R421	1-216-813-11	METAL CHIP 220 5%	1/10W
R422	1-216-817-11	METAL CHIP 470 5%	1/10W
R423	1-216-821-11	METAL CHIP 1K 5%	1/10W
		< SWITCH >	
S411	1-786-050-21	SWITCH, KEYBOARD (CD)	
S421	1-786-050-21	SWITCH, KEYBOARD (RADIO/BAND/AUTO PRESET)	
S422	1-786-050-21	SWITCH, KEYBOARD (TAPE)	

A-1157-002-A		KEY-2 BOARD, COMPLETE	

3-831-441-99		SHEET (1)	
		< CONNECTOR >	
CN421	1-784-726-11	CONNECTOR, FFC 4P	
		< RESISTOR >	
R424	1-216-821-11	METAL CHIP 1K 5%	1/10W

Ref. No.	Part No.	Description	Remark	Ref. No.	Part No.	Description	Remark
		< SWITCH >		C33	1-162-968-11	CERAMIC CHIP 0.0047uF 10%	50V (CND,E92,MX)
S423	1-786-050-21	SWITCH, KEYBOARD (VOLUME -)		C34	1-162-970-11	CERAMIC CHIP 0.01uF 10%	25V
S424	1-786-050-21	SWITCH, KEYBOARD (VOLUME +)		C35	1-162-968-11	CERAMIC CHIP 0.0047uF 10%	50V

	A-1157-008-A	MAIN BOARD, COMPLETE (CND,E92,MX)		C36	1-162-962-11	CERAMIC CHIP 470PF 10%	50V
	A-1157-365-A	MAIN BOARD, COMPLETE (E41,SP,TH)		C37	1-162-962-11	CERAMIC CHIP 470PF 10%	50V
	A-1157-386-A	MAIN BOARD, COMPLETE (UK,CET,IT)		C38	1-162-927-11	CERAMIC CHIP 100PF 5%	50V
	A-1157-391-A	MAIN BOARD, COMPLETE (AEP)		C39	1-126-923-11	ELECT 220uF 20%	10V
	A-1157-967-A	MAIN BOARD, COMPLETE (AUS,KR,TW)		C40	1-162-970-11	CERAMIC CHIP 0.01uF 10%	25V
	A-1157-973-A	MAIN BOARD, COMPLETE (AR)		C41	1-162-915-11	CERAMIC CHIP 10PF 0.5PF	50V
		*****		C42	1-162-915-11	CERAMIC CHIP 10PF 0.5PF	50V
	1-832-008-11	CABLE, FLEXIBLE FLAT (14 CORE) (FFC802)		C43	1-126-964-11	ELECT 10uF 20%	50V
	2-674-958-01	PAPER (MAIN), SHIELD		C45	1-162-970-11	CERAMIC CHIP 0.01uF 10%	25V
	3-254-142-01	SCREW (B3), (+) BV TAPPING		C46	1-115-416-11	CERAMIC CHIP 0.001uF 5%	25V
		< ANTENNA >		C51	1-162-970-11	CERAMIC CHIP 0.01uF 10%	25V (AEP)
ANT1	1-754-116-12	ANTENNA, FERRITE-ROD (MW/LW) (AEP)		C52	1-107-826-11	CERAMIC CHIP 0.1uF 10%	16V (AEP)
ANT1	1-754-117-12	ANTENNA, FERRITE-ROD (AM) (EXCEPT AEP)		C53	1-162-923-11	CERAMIC CHIP 47PF 5%	50V (AEP)
		< CAPACITOR >		C54	1-162-923-11	CERAMIC CHIP 47PF 5%	50V (AEP)
C1	1-162-964-11	CERAMIC CHIP 0.001uF 10%	50V	C55	1-162-970-11	CERAMIC CHIP 0.01uF 10%	25V (AEP)
C2	1-162-970-11	CERAMIC CHIP 0.01uF 10%	25V	C60	1-162-970-11	CERAMIC CHIP 0.01uF 10%	25V (AEP)
C3	1-162-970-11	CERAMIC CHIP 0.01uF 10%	25V	C61	1-162-919-11	CERAMIC CHIP 22PF 5%	50V (AEP)
C4	1-162-970-11	CERAMIC CHIP 0.01uF 10%	25V	C62	1-162-927-11	CERAMIC CHIP 100PF 5%	50V (AEP)
C5	1-162-970-11	CERAMIC CHIP 0.01uF 10%	25V	C63	1-164-230-11	CERAMIC CHIP 220PF 5%	50V (AEP)
C6	1-162-915-11	CERAMIC CHIP 10PF 0.5PF	50V	C64	1-162-970-11	CERAMIC CHIP 0.01uF 10%	25V (AEP)
C7	1-165-176-11	CERAMIC CHIP 0.047uF 10%	16V	C67	1-162-964-11	CERAMIC CHIP 0.001uF 10%	50V
C9	1-165-176-11	CERAMIC CHIP 0.047uF 10%	16V	C68	1-162-970-11	CERAMIC CHIP 0.01uF 10%	25V (AEP)
C10	1-162-923-11	CERAMIC CHIP 47PF 5%	50V (EXCEPT CND,E92,MX)	C69	1-162-970-11	CERAMIC CHIP 0.01uF 10%	25V (AEP)
C10	1-162-927-11	CERAMIC CHIP 100PF 5%	50V (CND,E92,MX)	C70	1-162-927-11	CERAMIC CHIP 100PF 5%	50V
C11	1-162-927-11	CERAMIC CHIP 100PF 5%	50V	C72	1-162-927-11	CERAMIC CHIP 100PF 5%	50V
C12	1-164-230-11	CERAMIC CHIP 220PF 5%	50V	C106	1-162-966-11	CERAMIC CHIP 0.0022uF 10%	50V
C13	1-162-915-11	CERAMIC CHIP 10PF 0.5PF	50V	C108	1-162-970-11	CERAMIC CHIP 0.01uF 10%	25V
C14	1-162-910-11	CERAMIC CHIP 5PF 0.25PF	50V (EXCEPT CND,E92,MX)	C110	1-127-715-11	CERAMIC CHIP 0.22uF 10%	16V
C14	1-162-913-11	CERAMIC CHIP 8PF 0.5PF	50V (CND,E92,MX)	C112	1-126-925-11	ELECT 470uF 20%	10V
C15	1-107-826-11	CERAMIC CHIP 0.1uF 10%	16V	C113	1-126-960-11	ELECT 1uF 20%	50V
C16	1-125-891-11	CERAMIC CHIP 0.47uF 10%	10V	C115	1-126-960-11	ELECT 1uF 20%	50V
C17	1-104-662-11	ELECT 22uF 20%	25V	C117	1-162-964-11	CERAMIC CHIP 0.001uF 10%	50V
C18	1-126-963-11	ELECT 4.7uF 20%	50V	C119	1-104-658-11	ELECT 100uF 20%	10V
C19	1-126-956-11	ELECT 0.1uF 20%	50V	C125	1-126-959-11	ELECT 0.47uF 20%	50V
C20	1-164-315-11	CERAMIC CHIP 470PF 5%	50V	C127	1-125-891-11	CERAMIC CHIP 0.47uF 10%	10V
C21	1-162-970-11	CERAMIC CHIP 0.01uF 10%	25V	C129	1-165-176-11	CERAMIC CHIP 0.047uF 10%	16V
C22	1-165-176-11	CERAMIC CHIP 0.047uF 10%	16V	C130	1-126-957-11	ELECT 0.22uF 20%	50V
C23	1-126-947-11	ELECT 47uF 20%	35V	C131	1-126-947-11	ELECT 47uF 20%	35V
C24	1-165-176-11	CERAMIC CHIP 0.047uF 10%	16V	C132	1-164-227-11	CERAMIC CHIP 0.022uF 10%	25V
C25	1-162-927-11	CERAMIC CHIP 100PF 5%	50V	C161	1-126-960-11	ELECT 1uF 20%	50V
C26	1-115-156-11	CERAMIC CHIP 1uF	10V	C162	1-126-960-11	ELECT 1uF 20%	50V
C27	1-125-891-11	CERAMIC CHIP 0.47uF 10%	10V	C206	1-162-966-11	CERAMIC CHIP 0.0022uF 10%	50V
C28	1-115-156-11	CERAMIC CHIP 1uF	10V	C208	1-162-970-11	CERAMIC CHIP 0.01uF 10%	25V
C29	1-126-925-11	ELECT 470uF 20%	10V	C210	1-127-715-11	CERAMIC CHIP 0.22uF 10%	16V
C30	1-126-923-11	ELECT 220uF 20%	10V				
C31	1-162-968-11	CERAMIC CHIP 0.0047uF 10%	50V (CND,E92,MX)				
C32	1-162-970-11	CERAMIC CHIP 0.01uF 10%	25V				

CFD-S03CP/S03CPL

Ver. 1.4

MAIN

Ref. No.	Part No.	Description			Remark	Ref. No.	Part No.	Description			Remark
C212	1-126-925-11	ELECT	470uF	20%	10V	C952	1-162-974-11	CERAMIC CHIP	0.01uF		50V
C213	1-126-960-11	ELECT	1uF	20%	50V	C953	1-126-925-11	ELECT	470uF	20%	10V
C215	1-126-960-11	ELECT	1uF	20%	50V	C956	1-126-965-11	ELECT	22uF	20%	50V
C217	1-162-964-11	CERAMIC CHIP	0.001uF	10%	50V	C957	1-162-974-11	CERAMIC CHIP	0.01uF		50V
C219	1-104-658-11	ELECT	100uF	20%	10V	C959	1-126-923-11	ELECT	220uF	20%	10V
C225	1-126-959-11	ELECT	0.47uF	20%	50V	C961	1-107-826-11	CERAMIC CHIP	0.1uF	10%	16V
C227	1-125-891-11	CERAMIC CHIP	0.47uF	10%	10V			< FILTER >			
C229	1-165-176-11	CERAMIC CHIP	0.047uF	10%	16V	CF2	1-767-555-11	FILTER, CERAMIC			
C230	1-126-957-11	ELECT	0.22uF	20%	50V	CF3	1-781-962-21	FILTER, CERAMIC			
C231	1-126-947-11	ELECT	47uF	20%	35V			< CONNECTOR >			
C232	1-164-227-11	CERAMIC CHIP	0.022uF	10%	25V	CN304	1-815-552-11	PIN, CONNECTOR (PWB) 4P			
C261	1-126-960-11	ELECT	1uF	20%	50V	CN305	1-815-551-11	PIN, CONNECTOR (PWB) 3P			
C262	1-126-960-11	ELECT	1uF	20%	50V	CN306	1-815-552-11	PIN, CONNECTOR (PWB) 4P			
C311	1-126-965-11	ELECT	22uF	20%	50V	CN803	1-784-742-11	CONNECTOR, FFC 20P			
C322	1-126-934-11	ELECT	220uF	20%	16V	CN804	1-784-742-11	CONNECTOR, FFC 20P			
C323	1-126-964-11	ELECT	10uF	20%	50V	CN805	1-779-291-11	CONNECTOR, FFC (LIF(NON-ZIF)) 23P			
C324	1-164-156-11	CERAMIC CHIP	0.1uF		25V			< TRIMMER >			
C325	1-126-937-11	ELECT	4700uF	20%	16V	CT1	1-141-304-21	CAP, CERAMIC TRIMMER 10PF			
C326	1-126-923-11	ELECT	220uF	20%	10V	CT3	1-141-442-91	CAP, CERAMIC TRIMMER 20PF			
C330	1-162-974-11	CERAMIC CHIP	0.01uF		50V	CT5	1-141-459-11	CAP, TRIMMER (SEAL TYPE) 45PF (AEP)			
C331	1-126-947-11	ELECT	47uF	20%	35V			< DIODE >			
C349	1-162-915-11	CERAMIC CHIP	10PF	0.5PF	50V	D1	6-501-440-01	DIODE SVC707-AL			
C350	1-162-915-11	CERAMIC CHIP	10PF	0.5PF	50V	D2	6-501-440-01	DIODE SVC707-AL			
C353	1-126-925-11	ELECT	470uF	20%	10V	D3	6-501-392-01	DIODE SVC386-AL			
C354	1-162-964-11	CERAMIC CHIP	0.001uF	10%	50V	D4	8-719-991-33	DIODE 1SS133T-77			
C355	1-126-767-11	ELECT	1000uF	20%	16V	D5	8-719-991-33	DIODE 1SS133T-77			
C356	1-107-826-11	CERAMIC CHIP	0.1uF	10%	16V	D6	6-500-697-01	DIODE UDZSTE-173.3B			
C357	1-126-934-11	ELECT	220uF	20%	16V	D322	8-719-991-33	DIODE 1SS133T-77			
C358	1-164-156-11	CERAMIC CHIP	0.1uF		25V	D323	8-719-988-61	DIODE 1SS355TE-17			
C451	1-162-908-11	CERAMIC CHIP	3PF	0.25PF	50V	D324	8-719-991-33	DIODE 1SS133T-77			
C452	1-162-908-11	CERAMIC CHIP	3PF	0.25PF	50V	D461	6-500-335-01	DIODE MC2838-T112-1			
C453	1-162-923-11	CERAMIC CHIP	47PF	5%	50V	D462	8-719-069-54	DIODE UDZSTE-175.1B			
C454	1-162-923-11	CERAMIC CHIP	47PF	5%	50V	D801	8-719-991-33	DIODE 1SS133T-77			
C455	1-162-923-11	CERAMIC CHIP	47PF	5%	50V	D802	6-500-334-01	DIODE MC2836-T112-1			
C456	1-162-923-11	CERAMIC CHIP	47PF	5%	50V	D951	6-500-334-01	DIODE MC2836-T112-1			
C457	1-162-970-11	CERAMIC CHIP	0.01uF	10%	25V	D952	8-719-991-33	DIODE 1SS133T-77			
C458	1-162-970-11	CERAMIC CHIP	0.01uF	10%	25V	D953	8-719-978-33	DIODE DTZ-TT11-6.8B			
C461	1-126-964-11	ELECT	10uF	20%	50V	D957	8-719-083-58	DIODE UDZSTE-173.9B			
C803	1-164-156-11	CERAMIC CHIP	0.1uF		25V			< FERRITE BEAD >			
C804	1-115-156-11	CERAMIC CHIP	1uF		10V	FB831	1-216-864-11	SHORT CHIP	0		
C805	1-104-658-11	ELECT	100uF	20%	10V	FB832	1-500-445-21	FERRITE, EMI (SMD) (2012)			
C806	1-115-156-11	CERAMIC CHIP	1uF		10V			< IC >			
C807	1-162-970-11	CERAMIC CHIP	0.01uF	10%	25V	IC1	6-708-840-01	IC LV23003VA			
C808	1-104-658-11	ELECT	100uF	20%	10V	IC302	6-701-919-01	IC PT2257-S			
C811	1-216-864-11	SHORT CHIP	0			IC303	6-703-710-01	IC TA8227P			
C813	1-107-826-11	CERAMIC CHIP	0.1uF	10%	16V	IC801	6-806-232-01	IC MB90802NPF-G-109E1			
C814	1-162-970-11	CERAMIC CHIP	0.01uF	10%	25V	IC802	6-703-740-01	IC S-24CS02AFT-TB-G			
C815	1-162-970-11	CERAMIC CHIP	0.01uF	10%	25V	IC804	8-759-679-43	IC S-816A33AMC-BAI-T2-G (TYPE A)			
C816	1-162-927-11	CERAMIC CHIP	100PF	5%	50V	IC805	6-704-118-01	IC S-80828CNMC-B8NT2G			
C817	1-164-156-11	CERAMIC CHIP	0.1uF		25V	IC806	6-706-338-01	IC XC6202P332FR (TYPE B)			
C818	1-162-927-11	CERAMIC CHIP	100PF	5%	50V						
C819	1-107-826-11	CERAMIC CHIP	0.1uF	10%	16V						
C820	1-107-826-11	CERAMIC CHIP	0.1uF	10%	16V						
C821	1-162-927-11	CERAMIC CHIP	100PF	5%	50V						
C822	1-162-927-11	CERAMIC CHIP	100PF	5%	50V						
C823	1-162-927-11	CERAMIC CHIP	100PF	5%	50V						
C825	1-115-156-11	CERAMIC CHIP	1uF		10V						
C951	1-162-974-11	CERAMIC CHIP	0.01uF		50V						

Refer to NOTE FOR REPLACEMENT OF THE IC804 AND IC806 on page 4 for type A and B.

Ref. No.	Part No.	Description	Remark	Ref. No.	Part No.	Description	Remark
		< JUMPER RESISTOR >					
JC1	1-216-864-11	SHORT CHIP	0 (EXCEPT AEP)	R16	1-216-864-11	SHORT CHIP	0
JC2	1-216-864-11	SHORT CHIP	0 (AEP)	R17	1-216-864-11	SHORT CHIP	0
JC3	1-216-864-11	SHORT CHIP	0 (EXCEPT AEP)	R18	1-216-809-11	METAL CHIP	100 5% 1/10W
JC4	1-216-864-11	SHORT CHIP	0 (EXCEPT AEP)	R19	1-216-809-11	METAL CHIP	100 5% 1/10W
JC101	1-216-864-11	SHORT CHIP	0	R20	1-216-809-11	METAL CHIP	100 5% 1/10W
JC102	1-216-864-11	SHORT CHIP	0	R21	1-216-809-11	METAL CHIP	100 5% 1/10W
JC103	1-216-864-11	SHORT CHIP	0	R22	1-216-829-11	METAL CHIP	4.7K 5% 1/10W
JC804	1-216-864-11	SHORT CHIP	0	R23	1-216-817-11	METAL CHIP	470 5% 1/10W
JC807	1-216-864-11	SHORT CHIP	0	R24	1-216-829-11	METAL CHIP	4.7K 5% 1/10W
		< COIL >		R25	1-216-821-11	METAL CHIP	1K 5% 1/10W
L1	1-419-847-11	COIL, AIR-CORE		R26	1-216-813-11	METAL CHIP	220 5% 1/10W
L2	1-419-655-11	COIL, AIR-CORE		R27	1-216-833-11	METAL CHIP	10K 5% 1/10W
L3	1-411-199-31	COIL, MW/LW OSC		R28	1-216-825-11	METAL CHIP	2.2K 5% 1/10W
L6	1-457-168-11	COIL, DET		R29	1-216-833-11	METAL CHIP	10K 5% 1/10W
L803	1-410-521-11	INDUCTOR	100uH	R30	1-216-833-11	METAL CHIP	10K 5% 1/10W (AEP)
		< TRANSISTOR >		R31	1-216-833-11	METAL CHIP	10K 5% 1/10W (AEP)
Q31	8-729-054-77	TRANSISTOR	2SC4098-T106-PQ (AEP)	R32	1-216-845-11	METAL CHIP	100K 5% 1/10W (AEP)
Q32	8-729-920-31	TRANSISTOR	DTC343TK (AEP)	R33	1-216-833-11	METAL CHIP	10K 5% 1/10W (AEP)
Q33	8-729-054-77	TRANSISTOR	2SC4098-T106-PQ (AEP)	R34	1-216-833-11	METAL CHIP	10K 5% 1/10W (AEP)
Q35	8-729-601-58	TRANSISTOR	2SC3053-C (AEP)	R35	1-216-829-11	METAL CHIP	4.7K 5% 1/10W (AEP)
Q122	8-729-120-28	TRANSISTOR	2SC1623-L5L6	R36	1-216-845-11	METAL CHIP	100K 5% 1/10W (AEP)
Q124	8-729-120-28	TRANSISTOR	2SC1623-L5L6	R37	1-216-853-11	METAL CHIP	470K 5% 1/10W (AEP)
Q222	8-729-120-28	TRANSISTOR	2SC1623-L5L6	R38	1-216-829-11	METAL CHIP	4.7K 5% 1/10W (AEP)
Q224	8-729-120-28	TRANSISTOR	2SC1623-L5L6	R39	1-216-864-11	SHORT CHIP	0
Q304	8-729-120-28	TRANSISTOR	2SC1623-L5L6	R41	1-216-837-11	METAL CHIP	22K 5% 1/10W
Q451	8-729-120-28	TRANSISTOR	2SC1623-L5L6	R134	1-216-813-11	METAL CHIP	220 5% 1/10W
Q452	8-729-120-28	TRANSISTOR	2SC1623-L5L6	R135	1-216-825-11	METAL CHIP	2.2K 5% 1/10W
Q801	6-551-445-01	TRANSISTOR	RT1N44QC-TP-1	R136	1-216-864-11	SHORT CHIP	0
Q802	8-729-037-03	TRANSISTOR	KTA1266GR-AT	R138	1-216-817-11	METAL CHIP	470 5% 1/10W
Q805	8-729-600-22	TRANSISTOR	2SA1235-F	R139	1-216-833-11	METAL CHIP	10K 5% 1/10W
Q806	6-551-444-01	TRANSISTOR	RT1N436C-TP-1 (AEP,AUS,KR,AR,TW)	R140	1-216-821-11	METAL CHIP	1K 5% 1/10W
Q808	8-729-120-28	TRANSISTOR	2SC1623-L5L6	R141	1-216-841-11	METAL CHIP	47K 5% 1/10W
Q951	6-551-444-01	TRANSISTOR	RT1N436C-TP-1	R142	1-216-821-11	METAL CHIP	1K 5% 1/10W
Q952	8-729-040-76	TRANSISTOR	KTA1273-Y-AT	R143	1-216-809-11	METAL CHIP	100 5% 1/10W
Q953	8-729-120-28	TRANSISTOR	2SC1623-L5L6	R144	1-216-789-11	METAL CHIP	2.2 5% 1/10W
Q955	8-729-018-99	TRANSISTOR	2SD2394-F	R145	1-216-829-11	METAL CHIP	4.7K 5% 1/10W
Q957	6-550-542-01	TRANSISTOR	2SD999-T1-AZ	R147	1-216-833-11	METAL CHIP	10K 5% 1/10W
Q958	6-551-443-01	TRANSISTOR	RT1P436C-TP-1	R161	1-216-841-11	METAL CHIP	47K 5% 1/10W
Q959	8-729-027-46	TRANSISTOR	DTC114YKA-T146	R162	1-216-864-11	SHORT CHIP	0
		< RESISTOR >		R234	1-216-813-11	METAL CHIP	220 5% 1/10W
R1	1-216-845-11	METAL CHIP	100K 5% 1/10W	R235	1-216-825-11	METAL CHIP	2.2K 5% 1/10W
R2	1-216-837-11	METAL CHIP	22K 5% 1/10W	R236	1-216-864-11	SHORT CHIP	0
R3	1-216-829-11	METAL CHIP	4.7K 5% 1/10W	R238	1-216-817-11	METAL CHIP	470 5% 1/10W
R4	1-216-797-11	METAL CHIP	10 5% 1/10W	R239	1-216-833-11	METAL CHIP	10K 5% 1/10W
R5	1-216-833-11	METAL CHIP	10K 5% 1/10W	R240	1-216-821-11	METAL CHIP	1K 5% 1/10W
R6	1-216-853-11	METAL CHIP	470K 5% 1/10W	R241	1-216-841-11	METAL CHIP	47K 5% 1/10W
R7	1-216-797-11	METAL CHIP	10 5% 1/10W	R242	1-216-821-11	METAL CHIP	1K 5% 1/10W
R9	1-216-829-11	METAL CHIP	4.7K 5% 1/10W	R243	1-216-809-11	METAL CHIP	100 5% 1/10W
R10	1-216-801-11	METAL CHIP	22 5% 1/10W	R244	1-216-789-11	METAL CHIP	2.2 5% 1/10W
R11	1-216-821-11	METAL CHIP	1K 5% 1/10W	R245	1-216-829-11	METAL CHIP	4.7K 5% 1/10W
R12	1-216-825-11	METAL CHIP	2.2K 5% 1/10W	R247	1-216-833-11	METAL CHIP	10K 5% 1/10W
R13	1-216-825-11	METAL CHIP	2.2K 5% 1/10W	R261	1-216-841-11	METAL CHIP	47K 5% 1/10W
R14	1-216-833-11	METAL CHIP	10K 5% 1/10W				
R15	1-216-837-11	METAL CHIP	22K 5% 1/10W				

CFD-S03CP/S03CPL

Ver. 1.2

MAIN

Ref. No.	Part No.	Description	Remark	Ref. No.	Part No.	Description	Remark
R262	1-216-864-11	SHORT CHIP	0	R813	1-216-821-11	METAL CHIP	1K 5% 1/10W
R316	1-216-864-11	SHORT CHIP	0	R814	1-216-821-11	METAL CHIP	1K 5% 1/10W
R321	1-216-809-11	METAL CHIP	100 5% 1/10W	R815	1-216-809-11	METAL CHIP	100 5% 1/10W
R323	1-216-857-11	METAL CHIP	1M 5% 1/10W	R816	1-216-809-11	METAL CHIP	100 5% 1/10W
R324	1-216-833-11	METAL CHIP	10K 5% 1/10W	R817	1-216-821-11	METAL CHIP	1K 5% 1/10W
R325	1-216-821-11	METAL CHIP	1K 5% 1/10W	R818	1-216-821-11	METAL CHIP	1K 5% 1/10W
R326	1-216-821-11	METAL CHIP	1K 5% 1/10W	R819	1-216-821-11	METAL CHIP	1K 5% 1/10W
R327	1-216-821-11	METAL CHIP	1K 5% 1/10W	R820	1-216-853-11	METAL CHIP	470K 5% 1/10W
R328	1-216-809-11	METAL CHIP	100 5% 1/10W	R821	1-216-821-11	METAL CHIP	1K 5% 1/10W
R329	1-216-809-11	METAL CHIP	100 5% 1/10W	R822	1-216-821-11	METAL CHIP	1K 5% 1/10W
R330	1-216-809-11	METAL CHIP	100 5% 1/10W	R823	1-216-821-11	METAL CHIP	1K 5% 1/10W
R331	1-216-817-11	METAL CHIP	470 5% 1/10W	R824	1-216-821-11	METAL CHIP	1K 5% 1/10W
R332	1-216-817-11	METAL CHIP	470 5% 1/10W	R825	1-216-821-11	METAL CHIP	1K 5% 1/10W
R333	1-216-821-11	METAL CHIP	1K 5% 1/10W	R826	1-216-817-11	METAL CHIP	470 5% 1/10W
R335	1-216-829-11	METAL CHIP	4.7K 5% 1/10W	R826	1-216-829-11	METAL CHIP	4.7K 5% 1/10W (CND,E92,MX,AR)
R336	1-216-833-11	METAL CHIP	10K 5% 1/10W	R827	1-216-817-11	METAL CHIP	470 5% 1/10W (AUS,KR,TW)
R337	1-216-833-11	METAL CHIP	10K 5% 1/10W	R827	1-216-829-11	METAL CHIP	4.7K 5% 1/10W (AEP,AR)
R338	1-216-833-11	METAL CHIP	10K 5% 1/10W	R828	1-216-829-11	METAL CHIP	4.7K 5% 1/10W
R451	1-216-821-11	METAL CHIP	1K 5% 1/10W	R829	1-216-829-11	METAL CHIP	4.7K 5% 1/10W
R452	1-216-821-11	METAL CHIP	1K 5% 1/10W	R830	1-216-829-11	METAL CHIP	4.7K 5% 1/10W
R453	1-216-833-11	METAL CHIP	10K 5% 1/10W	R831	1-216-821-11	METAL CHIP	1K 5% 1/10W
R461	1-216-817-11	METAL CHIP	470 5% 1/10W	R835	1-216-833-11	METAL CHIP	10K 5% 1/10W
R462	1-216-817-11	METAL CHIP	470 5% 1/10W	R836	1-216-833-11	METAL CHIP	10K 5% 1/10W
R463	1-216-817-11	METAL CHIP	470 5% 1/10W	R837	1-216-833-11	METAL CHIP	10K 5% 1/10W
R464	1-216-817-11	METAL CHIP	470 5% 1/10W	R838	1-216-833-11	METAL CHIP	10K 5% 1/10W
R465	1-216-817-11	METAL CHIP	470 5% 1/10W	R839	1-216-833-11	METAL CHIP	10K 5% 1/10W
R466	1-216-817-11	METAL CHIP	470 5% 1/10W	R840	1-216-833-11	METAL CHIP	10K 5% 1/10W
R467	1-216-821-11	METAL CHIP	1K 5% 1/10W	R841	1-216-833-11	METAL CHIP	10K 5% 1/10W
R471	1-216-821-11	METAL CHIP	1K 5% 1/10W	R842	1-216-833-11	METAL CHIP	10K 5% 1/10W
R472	1-216-821-11	METAL CHIP	1K 5% 1/10W	R843	1-216-833-11	METAL CHIP	10K 5% 1/10W
R473	1-216-821-11	METAL CHIP	1K 5% 1/10W	R844	1-216-833-11	METAL CHIP	10K 5% 1/10W
R474	1-216-821-11	METAL CHIP	1K 5% 1/10W	R845	1-216-833-11	METAL CHIP	10K 5% 1/10W
R475	1-216-821-11	METAL CHIP	1K 5% 1/10W	R846	1-216-833-11	METAL CHIP	10K 5% 1/10W
R476	1-216-845-11	METAL CHIP	100K 5% 1/10W	R847	1-216-833-11	METAL CHIP	10K 5% 1/10W
R477	1-216-845-11	METAL CHIP	100K 5% 1/10W	R848	1-216-833-11	METAL CHIP	10K 5% 1/10W
R478	1-216-841-11	METAL CHIP	47K 5% 1/10W	R849	1-216-833-11	METAL CHIP	10K 5% 1/10W
R479	1-216-833-11	METAL CHIP	10K 5% 1/10W	R850	1-216-833-11	METAL CHIP	10K 5% 1/10W
R480	1-216-841-11	METAL CHIP	47K 5% 1/10W	R851	1-216-833-11	METAL CHIP	10K 5% 1/10W
R481	1-216-841-11	METAL CHIP	47K 5% 1/10W	R852	1-216-833-11	METAL CHIP	10K 5% 1/10W
R482	1-216-821-11	METAL CHIP	1K 5% 1/10W	R853	1-216-833-11	METAL CHIP	10K 5% 1/10W
R483	1-216-841-11	METAL CHIP	47K 5% 1/10W	R854	1-216-833-11	METAL CHIP	10K 5% 1/10W
R484	1-216-841-11	METAL CHIP	47K 5% 1/10W	R855	1-216-833-11	METAL CHIP	10K 5% 1/10W
R486	1-216-845-11	METAL CHIP	100K 5% 1/10W	R856	1-216-833-11	METAL CHIP	10K 5% 1/10W
R487	1-216-845-11	METAL CHIP	100K 5% 1/10W	R857	1-216-833-11	METAL CHIP	10K 5% 1/10W
R488	1-216-837-11	METAL CHIP	22K 5% 1/10W	R858	1-216-833-11	METAL CHIP	10K 5% 1/10W
R490	1-216-864-11	SHORT CHIP	0	R859	1-216-833-11	METAL CHIP	10K 5% 1/10W
R491	1-216-864-11	SHORT CHIP	0	R860	1-216-833-11	METAL CHIP	10K 5% 1/10W
R492	1-216-864-11	SHORT CHIP	0	R861	1-216-833-11	METAL CHIP	10K 5% 1/10W
R493	1-216-864-11	SHORT CHIP	0	R862	1-216-833-11	METAL CHIP	10K 5% 1/10W
R801	1-216-821-11	METAL CHIP	1K 5% 1/10W	R863	1-216-833-11	METAL CHIP	10K 5% 1/10W
R802	1-216-821-11	METAL CHIP	1K 5% 1/10W	R864	1-216-833-11	METAL CHIP	10K 5% 1/10W
R803	1-216-821-11	METAL CHIP	1K 5% 1/10W	R865	1-216-833-11	METAL CHIP	10K 5% 1/10W
R804	1-216-821-11	METAL CHIP	1K 5% 1/10W	R866	1-216-833-11	METAL CHIP	10K 5% 1/10W
R805	1-216-821-11	METAL CHIP	1K 5% 1/10W	R867	1-216-833-11	METAL CHIP	10K 5% 1/10W
R809	1-216-821-11	METAL CHIP	1K 5% 1/10W	R868	1-216-817-11	METAL CHIP	470 5% 1/10W
R810	1-216-821-11	METAL CHIP	1K 5% 1/10W				
R811	1-216-833-11	METAL CHIP	10K 5% 1/10W				
R812	1-216-821-11	METAL CHIP	1K 5% 1/10W				

Ref. No.	Part No.	Description	Remark	Ref. No.	Part No.	Description	Remark
R869	1-216-821-11	METAL CHIP	1K 5% 1/10W	A-1157-006-A		PANEL BOARD, COMPLETE	
R870	1-216-821-11	METAL CHIP	1K 5% 1/10W			*****	
R871	1-216-821-11	METAL CHIP	1K 5% 1/10W	1-832-009-11		CABLE, FLEXIBLE FLAT (20 CORE)	(FFC401,FFC402)
R872	1-216-821-11	METAL CHIP	1K 5% 1/10W	2-654-085-01		HOLDER, IR	
R873	1-216-821-11	METAL CHIP	1K 5% 1/10W	2-673-399-01		SHEET (IR), ADHESIVE	
R874	1-216-821-11	METAL CHIP	1K 5% 1/10W	3-831-441-99		SHEET (1)	
R875	1-216-821-11	METAL CHIP	1K 5% 1/10W			< CAPACITOR >	
R876	1-216-821-11	METAL CHIP	1K 5% 1/10W	C401	1-115-156-11	CERAMIC CHIP 1uF	10V
R877	1-216-821-11	METAL CHIP	1K 5% 1/10W			< CONNECTOR >	
R879	1-216-821-11	METAL CHIP	1K 5% 1/10W	CN403	1-784-726-11	CONNECTOR, FFC 4P	
R880	1-216-821-11	METAL CHIP	1K 5% 1/10W			< DIODE >	
R883	1-216-845-11	METAL CHIP	100K 5% 1/10W	D406	8-719-059-97	LED L-34HD (OPR/BATT)	
R884	1-216-849-11	METAL CHIP	220K 5% 1/10W (TYPE A)			< IC >	
R885	1-216-821-11	METAL CHIP	1K 5% 1/10W (TYPE A)	IC401	6-600-108-01	IC RPM7140 (IR)	
R886	1-216-841-11	METAL CHIP	47K 5% 1/10W			< LIQUID CRYSTAL DISPLAY >	
R887	1-216-837-11	METAL CHIP	22K 5% 1/10W	LCD401	1-802-046-11	DISPLAY PANEL, LIQUID CRYSTAL	
R888	1-216-837-11	METAL CHIP	22K 5% 1/10W			< RESISTOR >	
R889	1-216-833-11	METAL CHIP	10K 5% 1/10W	R401	1-216-813-11	METAL CHIP	220 5% 1/10W
R891	1-216-841-11	METAL CHIP	47K 5% 1/10W	R402	1-216-817-11	METAL CHIP	470 5% 1/10W
R892	1-216-864-11	SHORT CHIP	0	R403	1-216-821-11	METAL CHIP	1K 5% 1/10W
R893	1-216-833-11	METAL CHIP	10K 5% 1/10W	R404	1-216-821-11	METAL CHIP	1K 5% 1/10W
R894	1-216-833-11	METAL CHIP	10K 5% 1/10W	R405	1-216-825-11	METAL CHIP	2.2K 5% 1/10W
R896	1-216-833-11	METAL CHIP	10K 5% 1/10W	R406	1-216-821-11	METAL CHIP	1K 5% 1/10W
R897	1-216-833-11	METAL CHIP	10K 5% 1/10W	R407	1-216-825-11	METAL CHIP	2.2K 5% 1/10W
R898	1-216-817-11	METAL CHIP	470 5% 1/10W (UK,E41,CET,IT,SP,TH)	R408	1-216-825-11	METAL CHIP	2.2K 5% 1/10W
R899	1-216-825-11	METAL CHIP	2.2K 5% 1/10W	R409	1-216-829-11	METAL CHIP	4.7K 5% 1/10W
R951	1-216-841-11	METAL CHIP	47K 5% 1/10W	R411	1-216-813-11	METAL CHIP	220 5% 1/10W
R952	1-216-825-11	METAL CHIP	2.2K 5% 1/10W	R412	1-216-817-11	METAL CHIP	470 5% 1/10W
R953	1-216-825-11	METAL CHIP	2.2K 5% 1/10W	R413	1-216-821-11	METAL CHIP	1K 5% 1/10W
R954	1-216-821-11	METAL CHIP	1K 5% 1/10W	R414	1-216-821-11	METAL CHIP	1K 5% 1/10W
R955	1-216-821-11	METAL CHIP	1K 5% 1/10W	R415	1-216-825-11	METAL CHIP	2.2K 5% 1/10W
R956	1-216-833-11	METAL CHIP	10K 5% 1/10W	R416	1-216-821-11	METAL CHIP	1K 5% 1/10W
R957	1-216-833-11	METAL CHIP	10K 5% 1/10W	R417	1-216-825-11	METAL CHIP	2.2K 5% 1/10W
R958	1-216-813-11	METAL CHIP	220 5% 1/10W	R418	1-216-825-11	METAL CHIP	2.2K 5% 1/10W
R959	1-216-809-11	METAL CHIP	100 5% 1/10W	R419	1-216-829-11	METAL CHIP	4.7K 5% 1/10W
R960	1-216-821-11	METAL CHIP	1K 5% 1/10W	R430	1-216-813-11	METAL CHIP	220 5% 1/10W
R961	1-216-825-11	METAL CHIP	2.2K 5% 1/10W	R431	1-216-841-11	METAL CHIP	47K 5% 1/10W
R962	1-216-825-11	METAL CHIP	2.2K 5% 1/10W	R432	1-216-845-11	METAL CHIP	100K 5% 1/10W
R963	1-216-825-11	METAL CHIP	2.2K 5% 1/10W			< SWITCH >	
R964	1-216-825-11	METAL CHIP	2.2K 5% 1/10W	S401	1-786-050-21	SWITCH, KEYBOARD (●/OPERATE)	(AEP,UK,CET,IT)
R965	1-216-833-11	METAL CHIP	10K 5% 1/10W	S401	1-786-050-21	SWITCH, KEYBOARD (●/POWER)	(EXCEPT AEP,UK,CET,IT)
		< TRANSFORMER >		S402	1-786-050-21	SWITCH, KEYBOARD (SLEEP)	
T1	1-433-741-11	TRANSFORMER, IF		S403	1-786-050-21	SWITCH, KEYBOARD (MEGA BASS)	
		< VIBRATOR >		S404	1-786-050-21	SWITCH, KEYBOARD (DISPLAY/ENTER)	
X1	1-795-449-11	VIBRATOR, CRYSTAL (75kHz)		S405	1-786-050-21	SWITCH, KEYBOARD (MODE)	
X802	1-813-175-21	VIBRATOR, CERAMIC (4.19MHz)		S406	1-786-050-21	SWITCH, KEYBOARD (REPEAT)	

Refer to NOTE FOR REPLACEMENT OF THE
IC804 AND IC806 on page 4 for type A and B.

CFD-S03CP/S03CPL

Ver. 1.2

PANEL **POWER** **TC**

Ref. No.	Part No.	Description	Remark
S407	1-786-050-21	SWITCH, KEYBOARD (▶)	
S413	1-786-050-21	SWITCH, KEYBOARD (◀◀/PRESET -)	
S414	1-786-050-21	SWITCH, KEYBOARD (▶▶/PRESET +)	
S415	1-786-050-21	SWITCH, KEYBOARD (◻/TUNE -)	
S416	1-786-050-21	SWITCH, KEYBOARD (◻/TUNE +)	
S417	1-786-050-21	SWITCH, KEYBOARD (■)	

A-1157-015-A	POWER BOARD, COMPLETE (E92,MX)		
A-1157-362-A	POWER BOARD, COMPLETE (EXCEPT CND,E92,MX,TW)		
A-1157-370-A	POWER BOARD, COMPLETE (CND)		
A-1157-380-A	POWER BOARD, COMPLETE (TW)		

1-533-217-41	HOLDER, FUSE		
< CAPACITOR >			
C901	1-162-995-11	CERAMIC CHIP 0.022uF	50V
C902	1-162-995-11	CERAMIC CHIP 0.022uF	50V
C903	1-162-995-11	CERAMIC CHIP 0.022uF	50V
C904	1-162-995-11	CERAMIC CHIP 0.022uF	50V
C906	1-126-964-11	ELECT 10uF 20%	50V
< CONNECTOR >			
CN902	1-815-443-11	PIN, CONNECTOR (PWB) 2P	
< DIODE >			
D901	8-719-063-79	DIODE 1N4002B	
D902	8-719-063-79	DIODE 1N4002B	
D903	8-719-063-79	DIODE 1N4002B	
D904	8-719-063-79	DIODE 1N4002B	
< AC INLET >			
△J901	1-526-818-11	INLET, AC (~ AC IN) (E92,MX)	
△J901	1-526-838-11	INLET, AC 2P (~ AC IN) (EXCEPT CND,E92,MX)	
△J901	1-540-009-11	INLET, AC (~ AC IN) (CND)	

A-1156-999-A	TC BOARD, COMPLETE (AEP,UK,CET,KR,IT)		
A-1158-597-A	TC BOARD, COMPLETE (CND,E41,E92,AUS,MX,SP,AR,TH,TW)		

< CAPACITOR >			
C101	1-162-964-11	CERAMIC CHIP 0.001uF 10%	50V
C102	1-104-658-11	ELECT 100uF 20%	10V
C103	1-165-176-11	CERAMIC CHIP 0.047uF 10%	16V
C104	1-162-966-11	CERAMIC CHIP 0.0022uF 10%	50V
C105	1-162-923-11	CERAMIC CHIP 47PF 5%	50V
C107	1-162-962-11	CERAMIC CHIP 470PF 10%	50V
C201	1-162-964-11	CERAMIC CHIP 0.001uF 10%	50V
C202	1-104-658-11	ELECT 100uF 20%	10V
C203	1-165-176-11	CERAMIC CHIP 0.047uF 10%	16V
C204	1-162-966-11	CERAMIC CHIP 0.0022uF 10%	50V
C205	1-162-923-11	CERAMIC CHIP 47PF 5%	50V
C207	1-162-962-11	CERAMIC CHIP 470PF 10%	50V
C301	1-104-658-11	ELECT 100uF 20%	10V
C302	1-104-658-11	ELECT 100uF 20%	10V
C303	1-104-658-11	ELECT 100uF 20%	10V
C304	1-126-947-11	ELECT 47uF 20%	35V

Ref. No.	Part No.	Description	Remark
C305	1-162-962-11	CERAMIC CHIP 470PF 10%	50V
C306	1-162-970-11	CERAMIC CHIP 0.01uF 10%	25V
C307	1-162-964-11	CERAMIC CHIP 0.001uF 10%	50V
C308	1-162-927-11	CERAMIC CHIP 100PF 5%	50V
C309	1-162-964-11	CERAMIC CHIP 0.001uF 10%	50V
C310	1-164-230-11	CERAMIC CHIP 220PF 5%	50V
C312	1-162-964-11	CERAMIC CHIP 0.001uF 10%	50V
C318	1-162-962-11	CERAMIC CHIP 470PF 10%	50V
< CONNECTOR >			
CN301	1-784-775-11	CONNECTOR, FFC 14P	
< FERRITE BEAD >			
FB201	1-216-864-11	SHORT CHIP 0 (CND,E41,E92,AUS,MX,SP,AR,TH,TW)	
FB201	1-414-445-11	FERRITE, EMI (SMD) (1608) (AEP,UK,CET,KR,IT)	
FB202	1-216-864-11	SHORT CHIP 0 (CND,E41,E92,AUS,MX,SP,AR,TH,TW)	
FB202	1-414-445-11	FERRITE, EMI (SMD) (1608) (AEP,UK,CET,KR,IT)	
FB203	1-216-864-11	SHORT CHIP 0 (CND,E41,E92,AUS,MX,SP,AR,TH,TW)	
FB203	1-414-445-11	FERRITE, EMI (SMD) (1608) (AEP,UK,CET,KR,IT)	
FB204	1-216-864-11	SHORT CHIP 0 (CND,E41,E92,AUS,MX,SP,AR,TH,TW)	
FB204	1-414-445-11	FERRITE, EMI (SMD) (1608) (AEP,UK,CET,KR,IT)	
FB205	1-216-864-11	SHORT CHIP 0 (CND,E41,E92,AUS,MX,SP,AR,TH,TW)	
FB205	1-414-445-11	FERRITE, EMI (SMD) (1608) (AEP,UK,CET,KR,IT)	
FB206	1-216-864-11	SHORT CHIP 0 (CND,E41,E92,AUS,MX,SP,AR,TH,TW)	
FB206	1-414-445-11	FERRITE, EMI (SMD) (1608) (AEP,UK,CET,KR,IT)	
FB207	1-216-864-11	SHORT CHIP 0 (CND,E41,E92,AUS,MX,SP,AR,TH,TW)	
FB207	1-414-445-11	FERRITE, EMI (SMD) (1608) (AEP,UK,CET,KR,IT)	
< IC >			
IC301	8-759-264-71	IC TA2068N	
< JUMPER RESISTOR >			
JC302	1-216-864-11	SHORT CHIP 0	
JC303	1-216-864-11	SHORT CHIP 0	
JC305	1-216-864-11	SHORT CHIP 0	
JC306	1-216-864-11	SHORT CHIP 0	
JC307	1-216-864-11	SHORT CHIP 0	
JC308	1-216-864-11	SHORT CHIP 0	
< TRANSISTOR >			
Q301	8-729-901-81	TRANSISTOR 2SC2412K-T-146-R	
Q302	8-729-027-46	TRANSISTOR DTC114YKA-T146	
Q303	8-729-027-46	TRANSISTOR DTC114YKA-T146	
< RESISTOR >			
R101	1-216-837-11	METAL CHIP 22K 5%	1/10W

Ref. No.	Part No.	Description	Remark	Ref. No.	Part No.	Description	Remark
R102	1-216-805-11	METAL CHIP	47 5% 1/10W	SW2	1-692-960-21	SWITCH, PUSH (1 KEY)	
R103	1-216-845-11	METAL CHIP	100K 5% 1/10W			(▲ PUSH OPEN/CLOSE)	
R104	1-216-825-11	METAL CHIP	2.2K 5% 1/10W	SP101	1-826-280-11	SPEAKER (7.7cm) (L-CH)	
R105	1-216-837-11	METAL CHIP	22K 5% 1/10W	SP201	1-826-280-11	SPEAKER (7.7cm) (R-CH)	
R106	1-216-825-11	METAL CHIP	2.2K 5% 1/10W	△ T901	1-443-861-11	TRANSFORMER, POWER	
						(EXCEPT CND,E92,MX)	
R107	1-216-841-11	METAL CHIP	47K 5% 1/10W	△ T901	1-443-871-11	TRANSFORMER, POWER (CND,E92,MX)	
R108	1-216-801-11	METAL CHIP	22 5% 1/10W			*****	
R109	1-216-849-11	METAL CHIP	220K 5% 1/10W			ACCESSORIES	
R110	1-216-809-11	METAL CHIP	100 5% 1/10W			*****	
R111	1-216-833-11	METAL CHIP	10K 5% 1/10W				
R112	1-216-821-11	METAL CHIP	1K 5% 1/10W	△	1-590-342-12	CORD, POWER (E92,MX)	
R201	1-216-837-11	METAL CHIP	22K 5% 1/10W	△	1-769-412-22	CORD, POWER (AEP,CET,E41,IT,SP,TH)	
R202	1-216-805-11	METAL CHIP	47 5% 1/10W	△	1-770-019-61	ADAPTOR, CONVERSION PLUG (UK)	
R203	1-216-845-11	METAL CHIP	100K 5% 1/10W	△	1-776-985-12	CORD, POWER (KR)	
R204	1-216-825-11	METAL CHIP	2.2K 5% 1/10W	△	1-782-126-11	CORD, POWER (CND)	
R205	1-216-837-11	METAL CHIP	22K 5% 1/10W	△	1-783-952-21	CORD, POWER (AR)	
R206	1-216-825-11	METAL CHIP	2.2K 5% 1/10W	△	1-827-945-12	CORD, POWER (AUS)	
R207	1-216-841-11	METAL CHIP	47K 5% 1/10W	△	1-827-946-21	CORD, POWER (UK)	
R208	1-216-801-11	METAL CHIP	22 5% 1/10W	△	1-829-433-11	CORD, POWER (TW)	
R209	1-216-849-11	METAL CHIP	220K 5% 1/10W		2-655-836-11	MANUAL, INSTRUCTION (ENGLISH)	(CND,E92,TW)
R210	1-216-809-11	METAL CHIP	100 5% 1/10W				
R211	1-216-833-11	METAL CHIP	10K 5% 1/10W		2-655-836-21	MANUAL, INSTRUCTION (SPANISH) (E92,MX)	
R212	1-216-821-11	METAL CHIP	1K 5% 1/10W		2-655-836-31	MANUAL, INSTRUCTION (FRENCH) (AEP,SP)	
R301	1-216-857-11	METAL CHIP	1M 5% 1/10W		2-655-836-41	MANUAL, INSTRUCTION (GERMAN) (AEP)	
R302	1-216-829-11	METAL CHIP	4.7K 5% 1/10W		2-655-836-51	MANUAL, INSTRUCTION	(DUTCH,PORTUGUESE) (AEP)
R303	1-216-829-11	METAL CHIP	4.7K 5% 1/10W		2-655-836-61	MANUAL, INSTRUCTION (ITALIAN) (IT)	
R304	1-216-821-11	METAL CHIP	1K 5% 1/10W				
R305	1-216-817-11	METAL CHIP	470 5% 1/10W		2-655-836-71	MANUAL, INSTRUCTION (FINNISH,SWEDISH)	(CET)
R306	1-216-833-11	METAL CHIP	10K 5% 1/10W				
R307	1-216-797-11	METAL CHIP	10 5% 1/10W		2-655-836-81	MANUAL, INSTRUCTION (POLISH) (CET)	
R308	1-216-837-11	METAL CHIP	22K 5% 1/10W		2-655-836-91	MANUAL, INSTRUCTION (CZECH,HUNGARIAN)	(CET)
R309	1-216-805-11	METAL CHIP	47 5% 1/10W		2-655-837-11	MANUAL, INSTRUCTION	(SLOVAKIAN,RUSSIAN) (CET)
R310	1-216-857-11	METAL CHIP	1M 5% 1/10W		2-655-837-21	MANUAL, INSTRUCTION (ENGLISH)	(AEP,UK,AUS,KR,E41,AR,SP,TH)
R311	1-216-857-11	METAL CHIP	1M 5% 1/10W				
R312	1-216-837-11	METAL CHIP	22K 5% 1/10W				
R314	1-216-817-11	METAL CHIP	470 5% 1/10W		2-655-837-31	MANUAL, INSTRUCTION (KOREAN) (KR)	
R315	1-216-817-11	METAL CHIP	470 5% 1/10W		2-655-837-41	MANUAL, INSTRUCTION	(TRADITIONAL CHINESE) (TW)
		< SWITCH >			2-655-837-51	MANUAL, INSTRUCTION (FRENCH) (CND)	
S301	1-786-126-11	SWITCH, SLIDE (REC/PB)			2-655-837-61	MANUAL, INSTRUCTION (SPANISH)	(AEP,E41,AR)
		< TRANSFORMER >			2-655-837-71	MANUAL, INSTRUCTION (UKRAINIAN) (CET)	
T301	1-416-041-11	TRANSFORMER, BIAS OSCILLATION		3-238-070-01	LID, BATTERY CASE (for RMT-CE95A/CE95AD)		
		*****		A-3172-070-A	REMOTE COMMANDER (RMT-CE95AD)		(AEP,UK,CET,IT)
		MISCELLANEOUS		A-3172-079-A	REMOTE COMMANDER (RMT-CE95A)		(CND,E41,E92,AUS,AR,KR,MX,SP,TH,TW)

56	1-797-376-11	DECK, MECHANICAL (including M901)					
152	1-452-899-11	MAGNET					
204	1-827-992-11	WIRE (FLAT TYPE) (16 CORE)					
205	1-831-973-11	CABLE, FLEXIBLE FLAT (23 CORE)					
255	X-2162-709-2	CHASSIS ASSY (CDP), MOTOR (SPINDLE)					
		(including M701)					
△ 256	8-848-483-12	OPTICAL PICK-UP (KSS-213C/C2RP)					
ANT2	1-754-376-11	ANTENNA, TELESCOPIC (FM)					
△ F902	1-533-468-12	FUSE, GLASS TUBE (DIA. 5) (T2AL/250V)					
M702	X-2625-769-1	GEAR ASSY (MB) (RP), MOTOR (SLED)					
S201	1-771-853-11	SWITCH, DETECTION (LIMIT)					

MEMO

