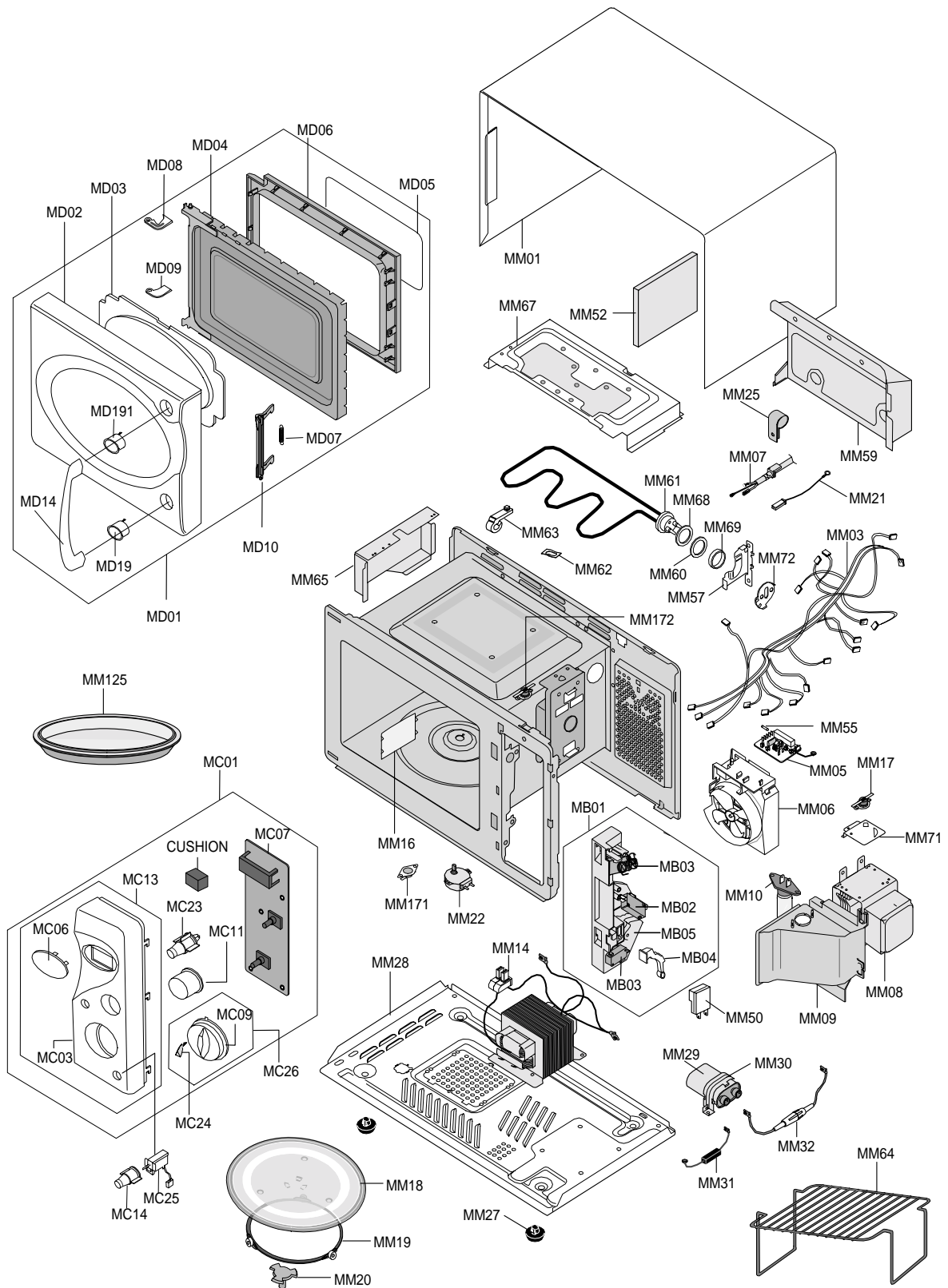


7. Exploded Views and Parts List

7-1 Exploded Views



7-2 Main Parts List

No.	Code No.	Description	Specification	Q'ty	Remark
MB01	DE93-20020E	ASSY BODY LATCH	-,HANDLE,PP,FB44N,-,-	1	
MB02	3405-000175	SWITCH-MICRO	250V,15A,200gf,SPST-NO	1	
MB03	3405-000178	SWITCH-MICRO	250V,15A,200gf,SPST-NO	2	
MB04	DE66-90054C	LEVER-SWITCH	PP,-,-,-,-,-,HANDLE,FB44N	1	
MB05	DE66-40021D	LATCH-BODY	PP,HANDLE,FB44N	1	
MM01	DE70-30001A	PANEL-OUTER	SECC,T0.6,360,1128,EPOXY-COATI	1	
MM03	DE39-00166A	WIRE HARNESS-A	230V50Hz,CE2927/XEF,-,-,-,-,-,-,-,-,-,-	1	
MM05	DE96-00010A	ASSY NOISE FILTER	SN-3WED,250V10A,3W NO-INRUSH TC,-,-,-,-	1	
MM06	DE96-00070A	ASSY-MOTOR FAN	SMF-2N2EA1,230V50Hz,2420RPM,2N2,9mm	1	
MM07	DE39-20058K	ASSY POWER CORD	KKP-4819D,-,-,-,-,-,-,-	1	
MM08	OM75P(31)ERH	ASSY-MAGNETRON:OM75P		1	
MM09	DE71-60458A	COVER-AIR	PP(TB53),78G,-,-,WHT,3RD-1.0/1.3 MW5896W	1	
MM10	4713-001031	LAMP-INCANDESCENT	230V,173mA,40W,ORG,-,-,25x69mm	1	
MM125	DE92-90534A	ASSY-TRAY BROILER	CE118KF,TEFLON-COATING,-,-,-,-	1	
MM14	DE26-00008A	TRANS-H.V	SHV-293EC,230V50HZ,2230V/3.15V,-,DY	1	
MM16	DE71-00015A	COVER-CEILING	-,T0.3,W114.2,L121.5,-,CE2933	1	
MM17	DE47-20009A	THERMOSTAT	PW2N-520PB,160/60,250V/7.5A,H,	1	
MM171	DE47-00002A	THERMOSTAT	PW2N,-,-,100,110,-,-,-,-	1	GRILL-TCO
MM172	DE47-00003A	THERMOSTAT	PW2N,-,-,120/110,-,-,-,187,30.0	1	CVT-TCO
MM18	DE74-20015G	TRAY-COOKING	-,T6,PI318,1115G,MW5896W,-	1	
MM19	DE92-90189U	ASSY-GUIDE ROLLER	1.0CUFT(PPS)15.5,-,-,-,-,-	1	
MM20	DE67-60081A	COUPLER	PPS,-,-,-,3RD-1.0/1.3,-,-,-	1	
MM21	DE39-40409A	WIRE HARNESS-E	230V50HZ,M9G45,CTW,-,-,-	1	
MM22	DE31-10154A	MOTOR-SYNCHRONOUS	M2HJ49ZR02,ST-16,50/60HZ,-	1	
MM25	DE65-20014A	CABLE CLAMP	DA-6N,NY-66,-,-,-,-,-,-	1	P-CORD
MM27	DE61-40066A	FOOT	PP,BLK,-,-,3RD-W,-	2	
MM28	DE80-10001G	BASE-PLATE	SGCC,T0.8,W345,L565,3RD,-	1	
MM29	2501-001019	C-OIL	1.10uF,2100V,BK,35X54X90,20mm	1	
MM30	DE61-50106A	BRACKET-HVC	SECC,T0.8,W31,L125.8,-,-,-	1	
MM31	DE91-70063A	ASSY-HVD	V2M6,PI9.0,0.05MT,-,-	1	
MM32	DE91-70061A	ASSY-H.V.FUSE	THV060T-0800-H,5KV/0.80A,WHT	1	
MM50	DE27-10020C	COIL-CHOKE	TC-104,0.9UH*2,-,L31*W20*H32,-,ABS,AC250V/14	1	
MM52	DE63-90035G	CUSHION-RUBBER	DFA20,T2,W190,L100,BLK,-,-,-	1	
MM55	3601-000448	FUSE-CARTRIDGE	250V,10A,SLOW-BLOW,CERAMIC,6.35x31.8mm	1	
MM57	DE61-50027B	BRACKET-HEATER	SECC,T1.0,W51,L55,CE945GF,-,-	1	
MM59	DE71-60453A	COVER-BACK	SECC,T0.5,W146,L404,-,3RD-1.0,	1	
MM60	DE63-20017A	GASKET-HEATER	BRASS,T1.5,OD30.5,ID22.5,-,-,-	1	
MM61	DE47-00001A	HEATER	-,230V,1250W,-,-,SHG-2933E,-,-,-	1	
MM62	DE61-70060A	SPRING-PLATE	SK-5,T0.5,-,-,-,-,-	1	
MM63	DE61-30006A	SUPPORTER-HEATER	ALUMINA,5G,2ND-W/P,-,-,-,-	1	
MM641	DE97-00097A	ASSY-WIRE RACK	CE2974T,CURST-TRAY,-,-,-,-	1	
MM65	DE62-20064A	DUCT-AIR	SECC1-P T0.5,-,-,-,-,3RD-1.0,-	1	
MM67	DE61-50575A	BRACKET-UPPER	SECC,T0.5,-,-,-,-,3RD,-	1	
MM68	DE60-40009B	WASHER-TEFLON	SLOT,ID22.2,OD28,T1.2,TEFLON,-	1	
MM69	DE61-50021A	BRACKET-FLANGE	SECC1,T0.8,32,32,-,-,-	1	
MM71	DE61-50490A	BRACKET-TCO	SECC1,T0.6,34,58,-,-,-	1	
MM72	DE61-50025A	BRACKET-EARTH	BSS2-A,T1.0,CE745G,-,-,-,-	1	
MM92	DE63-90062B	CUSHION-RUBBER DOOR	RUBBER(CR),T12,W30,L50,HS60,M2	1	

7-3 Control & Door Parts List

No.	Code No.	Description	Specification	Q'ty	Remark
MC01	-	ASSY CONTROL-BOX	-,CE2927T/XEF,P/WHT,XEF	1	S.N.A
MC03	DE72-00083L	CONTROL-PANEL	-,CE2927T/XEF,-,-,-,P-WHT,XEF	1	
MC06	DE64-00095A	WINDOW-DISPLAY	SAN,-,M1727/M1927,-	1	
MC07	RC-EASY3R-04	ASSY PCB PARTS:CE292		1	
MC09	DE64-00097B	KNOB-POWER	CE2727/CE2927,ABS,-,-,POWER,-,-,-	1	
MC11	DE64-00096A	KNOB-TIMER	ABS,-,-,M1727/M1927,-,-,-,-	1	
MC13	DE94-00303L	ASSY CONTROL-PANEL	-,CE2927T/XEF,P-WHT,XEF	1	
MC141	DE66-00009A	BUTTON-SELECT(A)	ABS,-,D10,WHT,3G	1	
MC23	DE64-00100A	BUTTON-CLOCK	ABS,-,M1727/M1927,CLOCK	1	
MC24	DE64-00113A	KNOB-CAP	ABS,C-BLUE,-,M1727/M1927,-,-,-,-	1	
MC25	DE39-00059A	WIRE HARNESS-SWITCH	230V50HZ,T/TABLE S/W,-,M1914,EUROPE	1	
MC26	DE97-00165B	ASSY-KNOB POWER	CE2727,POSERKJEONG,WHT+BLU,-	1	
MD01	DE94-00305J	ASSY DOOR	CE2927/XET,P/WHT,-	1	
MD02	DE64-00098A	DOOR-A	ABS,-,-,-,P-WHT,M1928,-,-,-	1	
MD03	DE63-00018C	SCREEN-DOOR	CE2927/GRILL,-,-,-,-,SMOG,-,-	1	
MD04	DE94-00075B	ASSY DOOR-E	3RD-1.0,BLK,COATING,-,-,-,-	1	
MD05	DE01-00118B	FILM-DOOR	CE2933,-,-,L185,T0.15,W295,-,-,-	1	
MD06	DE64-40012A	DOOR-C	RESIN-PP(TB53),T2.0,CE945GF,BL	1	
MD07	DE61-70126A	SPRING-KEY	0.8,0,36,6,BLURING,-,-	1	
MD08	DE61-80002A	HINGE-UPPER	SCP1,T2.3,26,77,ZPC3,WHT,CE945	1	
MD09	DE61-80003A	HINGE-LOWER	SCP1,T2.3,26,77,ZPC3,WHT,CE945	1	
MD10	DE64-00028A	DOOR-KEY	POM,BLK,CE2974,-	1	
MD14	DE64-00099C	HANDLE-DOOR	M1927/M1727,ABS,-,-,-,-,P/WHT,-	1	
MD19	DE64-00093D	HANDLE-RING(A)	M1927/M1727,ABS(HR0370),-,-,-,-,P/WHT,-	1	
MD191	DE64-00094D	HANDLE-RING(B)	M1927/M1727,ABS(HR0370),-,-,-,-,P/WHT,-	1	
MD24	DE94-00302G	ASSY DOOR-A	CE2927/XET,P-WHT,HANDLE+H/RING+DOOR-A	1	

S.N.A : SERVICE NOT AVAILABLE

7-4 Standard Parts List

Code No.	Description	Specification	Q'ty	Remark
DE60-10012A	SCREW-TAP TITE	TH,+,3,M4,L10,SWR10,ZPC2,TOOTH	1	N-F-EA
DE60-10012A	SCREW-TAP TITE	TH,+,3,M4,L10,SWR10,ZPC2,TOOTH	1	P-C-EA
DE60-10018A	SCREW-ASSY MACHINE	PH,M4X0.7P,8,MSWR10,SN1,WS,-,-	2	B/EATH
DE60-10024A	SCREW-PH	PH,+,M4,L8,MSWR10,ZPC3,-,-,-,-	2	B/HEAT
DE60-10045A	SCREW-TAP PH	PH,M3,L6,FEFZY,-,-,-,-,-,-	1	GRILL-TCO
DE60-10045A	SCREW-TAP PH	PH,M3,L6,FEFZY,-,-,-,-,-,-	1	MG-TCO
DE60-10069A	SCREW-TAP TH	TH,M4,L10,FRFZY,-,-,-,-,-,-	2	B/UPPE
DE60-10072A	SCREW-TAP TH	TH,M4,L16,FEFZY,2-SLOT,-,-,-,-	1	CB-CMP
DE60-10080B	SCREW-WASHER	PH,PI5,L10,SWRCH18A,ZP2,2S,-,-	4	MGT
DE60-10080B	SCREW-WASHER	PH,PI5,L10,SWRCH18A,ZP2,2S,-,-	4	TNS-HV
DE60-10082H	SCREW-A	2S-4X12,TOOTHED,-,-,-,-,-,-,-,-	2	B-PLTE
DE60-10082H	SCREW-A	2S-4X12,TOOTHED,-,-,-,-,-,-,-,-	2	CN-BOX
DE60-10082H	SCREW-A	2S-4X12,TOOTHED,-,-,-,-,-,-,-,-	1	CV/AIR
DE60-10082H	SCREW-A	2S-4X12,TOOTHED,-,-,-,-,-,-,-,-	2	LATCH
DE60-10082H	SCREW-A	2S-4X12,TOOTHED,-,-,-,-,-,-,-,-	1	MO/FAN
DE60-10082H	SCREW-A	2S-4X12,TOOTHED,-,-,-,-,-,-,-,-	5	PN-OUT
DE60-10098A	SCREW-ASSY TAP TITE	PH,TC,M4X8,SWRCH18A,ZPC2,GLD,W	1	CV-TCO
DE60-10098A	SCREW-ASSY TAP TITE	PH,TC,M4X8,SWRCH18A,ZPC2,GLD,W	2	M/DRIV
DE60-10122A	SCREW-TAP TH	TAP,TH,2-4X8,FE,FN,-,-,-,-,-,-	2	C-CEIL
DE60-10195A	SCREW-STAR POLE	TH,*,2,4,12,SWCH18A,ZNC,-,-,-,-	2	CO-BACK
DE60-20063A	BOLT-FLANGE	M4,10,ZPC3,YEL,MSWR,-,-,-,-,-	2	HI-LOW
DE60-20063A	BOLT-FLANGE	M4,10,ZPC3,YEL,MSWR,-,-,-,-,-	2	HI-UPP
DE60-10045A	SCREW-TAP PH	PH,M3,L6,FEFZY,-,-,-,-,-,-	1	
DE60-10088A	SCREW-TAP PH	PH,M3,L8,FEFZY,PLAIN,-,-,-,-,-,-	5	PCB
DE60-10088A	SCREW-TAP PH	PH,M3,L8,FEFZY,PLAIN,-,-,-,-,-,-	2	T-T S/W
DE60-10069A	SCREW-TAP TH	TH,M4,L10,FRFZY,-,-,-,-,-,-	2	
DE60-10082J	SCREW-TAPPING	TH,2S-4X8,MSWR3,ZPC,YEL,WS,-,-	1	HVC
DE60-10012A	SCREW-TAP TITE	TH,+,3,M4,L10,SWR10,ZPC2,TOOTH	1	