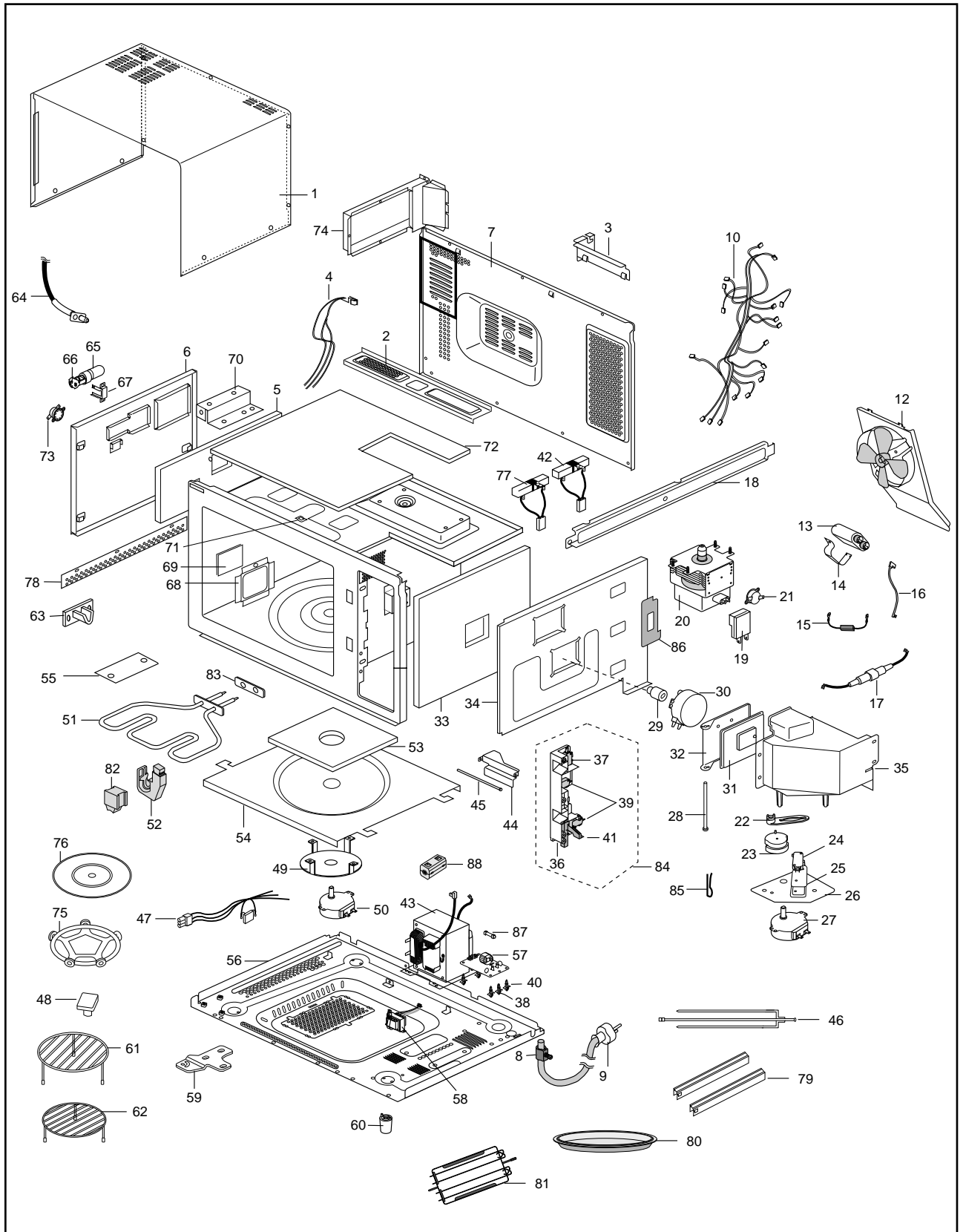


7. Exploded Views and Parts List

7-1 Exploded Views



7-2 Main Parts List

Ref. No.	Parts No.	Description	Specification	Q'ty	Remarks
1	DE92-90315A	ASSY-DAMPER COVER	RE-1280	1	
2	DE61-30100A	SUPPORTER-BACK	SECC,T0.6	1	
3	DE92-90053A	ASSY-COVER AIR	RE-1200/1280/1270	1	
4	DE39-40453E	WIRE HARNESS-B	230V,RE-1280(SAW),AMFO	1	
5	DE62-90016B	ADIABATIC-L	EGF-E3019-PBS,T10,W180,L180,AL	1	
6	DE71-60316A	COVER-ADIABATIC-L	SBHG1-M,T0.5	1	COVE/L
7	DE92-90179A	ASSY-BACK PANEL	RE-1280	1	
8	DE65-20022A	BUSHING CORD	IC002	1	
9	DE39-20075G	ASSY POWER CORD	UD13A1,230V15A,L1500,BLK,CE102	1	
10	DE39-40229E	WIRE HARNESS-A	230V,RE-1280(SAW),AMFO	1	
12	DE31-10020A	MOTOR-FAN	AMM90-004ATEB	1	
13	2501-000234	C-OIL	SCH-2121134B1,1.13F,2100VAC,54X35	1	
14	DE61-50266A	BRACKET-HVC	SECC,T0.6	1	
15	DE59-40001A	DIODE-H.V	HVR-1X-32B-12	1	
16	DE39-30102A	WIRE LEAD-B	L540,2GA2	1	
17	DE91-70061A	ASSY-H.V.FUSE	THV060T-0800-H,5KV/0/8A WH	1	
18	DE61-30099A	SUPPORTER-MGT	SECC,T0.8	1	
19	DE27-10020A	COIL-MC CHOKE	TC,101	1	
20	OM75PH(10)ESS	ASSY-MAGNETRON	OM75PH(10)ESSS	1	
21	DE47-20101A	THERMOSTAT	PW2N(160/60)	1	MGT
22	DE66-90028A	LEVER-DAMPER	POM-KEP,44G	1	
23	DE72-20014A	CAM	POM(KEP,F20-02),RE-909CG	1	
24	DE34-20026A	SWITCH-MICRO	VP331A-OD(PT2)	1	
25	DE70-90016A	SHEET-INSK K	POLYESTER,T0.5,W45,L24	1	
26	DE61-50231A	BRACKET-DAMPER	SECC,T0.8	1	
27	DE31-10052A	MOTOR-SYNCHRONOUS	M2LB49ZR02,DAMPER-MOTOR	1	
28	DE60-60026A	PIN-DAMPER	MSWR3	1	
29	DE67-60037A	COUPLER-BARBECUE	AL	1	
30	DE31-10057A	MOTOR-SYNCHRONOUS	MULJ24ZR03,SPIT-MOTOR	1	
31	DE72-40034A	DAMPER-SILICON	SILICONE	1	
32	DE72-40037A	DAMPER-PLATE	SECC,T0.6	1	
33	DE62-90015B	ADIABATIC-R	EGF-E3019-PBS,T15,W346,L282,AL	1	
35	DE71-60216A	COVER-DAMPER	NYLON#66-2411GF,143.7G	1	
34	DE71-60230D	COVER-ADIABATIC-R	SBHG1-M,T0.5	1	
35	DE71-60216A	COVER-DAMPER	NYLON#66-2411GF,143.7G	1	
36	DE66-40027A	BODY-LATCH	NULON#662411GF6,HB,NTR	1	
37	3405-000175	SWITCH-MICRO	250V,15A,200gf,SPST-NO	1	
38	DE61-30127A	SUPPORTER-PCB	DANC-6N	1	
39	3405-000178	SWITCH-MICRO	250V,15A,200gf,SPST-NO	2	
40	DE61-30129A	SUPPORTER-PCB	DASS-T9N	4	
41	DE66-90062A	LEVER-DOOR	NYLON#66,2411GF6,HB,NTR	1	
42	DE91-70100A	ASSY-RESISTOR	RE-1280(SAW),10W,30-J	1	
43	DE26-10033A	TRANS-H.V	Y247STC,230V,50HZ,AC2260/3.3V	1	▲
44	DE61-50232A	BRACKET-DOOR LEVER	SECC,T1.5	1	
45	DE60-60026A	PIN-DAMPER	MSWR3	1	
46	DE72-80023B	SHAFT-BARBECUE	RE-909CG	1	
47	DE39-40117A	WIRE HARNESS-C	RE-909CG	1	
48	DE92-90247A	ASSY-COUPLER	RE-1270/1280,EUROPE	1	
49	DE61-50236A	BRACKET-COVER MOTOR	SECC,T0.8,RE-909CG	1	
50	DE31-10039A	MOTOR-SYNCHRONOUS	MVLB51ZR11,220/240V50H	1	
51	DE47-70016E	HEATER-GRILL	230V,1300W,390HM,D7.0,RE-1280,	1	
52	DE61-30140A	SUPPORTER-HEATER	ALUMINA,10G,RE-650	1	
53	DE62-90014B	ADIABATIC-L	EGF-E3019-PBS,T15,W351,L136,AL	1	
54	DE71-60229D	COVER-ADIABATIC-L	SBHG1-M,T0.5	1	
55	DE70-40073A	PLATE-CEILING	MICA-SHEET,T0.5	1	
56	DE80-10049A	BASE-PLATE	SBHG1-R,T1.0	1	
57	DE91-40091A	ASSY-NOISE FILTER	RE-1200,250V,15A,1200	1	
58	DE26-20084A	TRANS-L.V	RE-1280STC,230V,50HZ,AC16/3V,R	1	
59	DE61-80065A	HINGE-LOWER	SBC1,T3.0,DARCON	1	
60	DE61-40029A	FOOT	DASF-330,RE-909CG	4	

7-2 Main Parts List

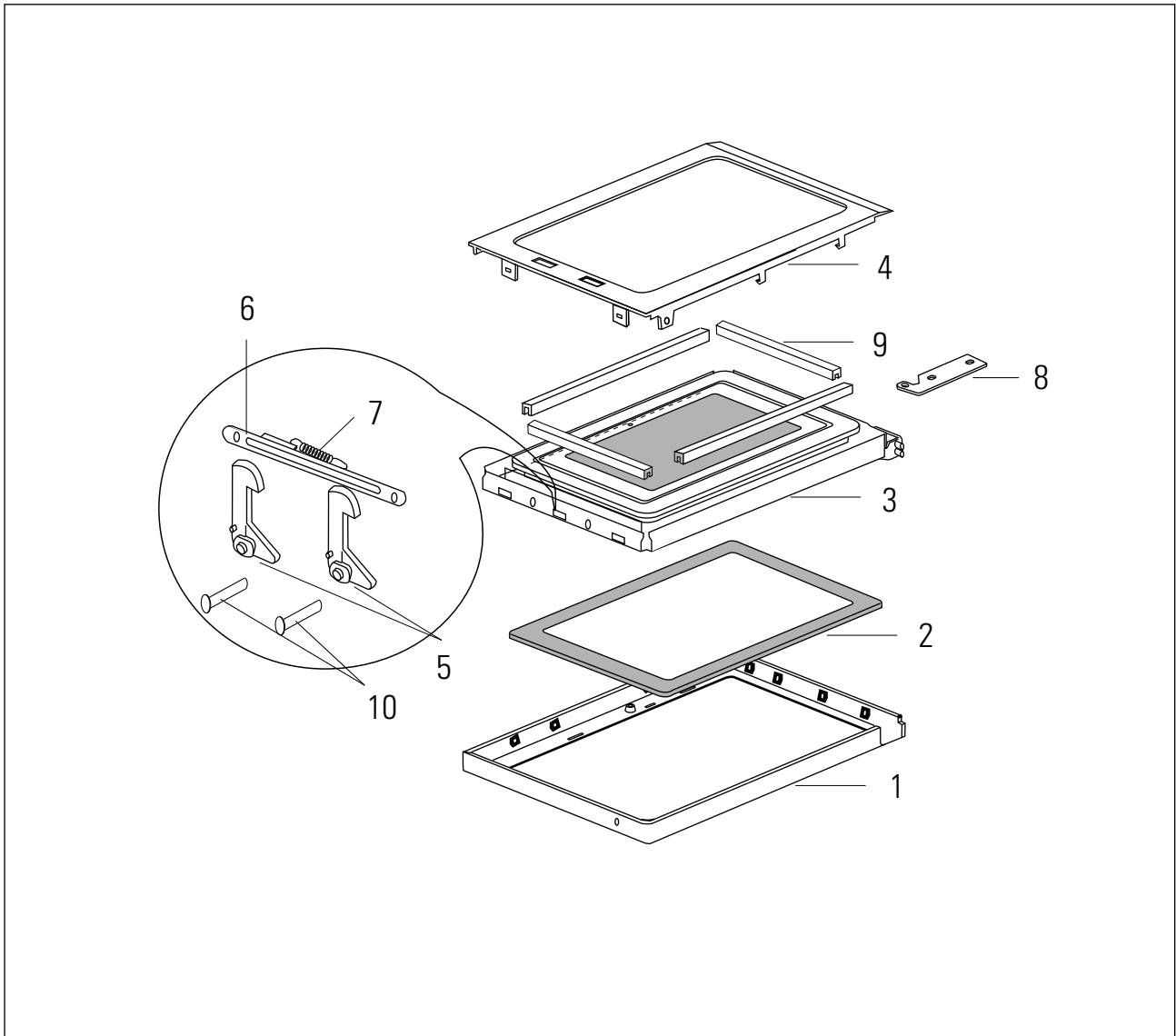
Ref. No.	Parts No.	Description	Specification	Q'ty	Remarks
61	DE92-90019B	ASSY-RACK WIRE	CE124CF,HIGH,MAGENTA	1	
62	DE92-90019S	ASSY-WIRE RACK	CE124CF,LOW	1	
63	DE61-90094A	HOLDER-BARBECUE	PTFE,9G	1	
64	DE32-10013A	SENSOR-THERMISTOR	PT-312-K2	1	
65	4713-000168	LAMP-INCANDESCENT	230V,-,25W,ORG	1	
66	DE47-40021A	SOCKET-LAMP	E/14(22.225)	1	▲
67	DE61-50234A	BRACKET-LAMP	SECC,T0.8	1	
68	DE71-60267A	COVER-LAMP	STS304,T0.4	1	
69	DE67-40066A	GLASS-PLATE	TEMP-GLASS,T3.2	1	
70	DE61-50282E	BRACKET-HINGE U	SBHG1-A,T1.2	1	
71	DE61-70060A	SPRING-PLATE	SK-5,T0.5	1	
72	DE62-90028C	ADIABATIC-UPPER	T6,W399,L353.8,CERAMIC,WOOL	1	C/UPP
73	DE47-20044A	THERMOSTAT	PW-2N,150/60,BKT23.8MM	1	GRILL
74	DE92-90100B	ASSY-GUIDE AIR	RE-1280/1270	1	
75	DE92-90072A	ASSY-BASE ROLLER	RE-909CG	1	
76	DE74-20045A	TRAY-CERAMIC	RE-909CG	1	
77	DE93-90038A	ASSY-B/RESISTOR	FX175Z-D	1	
78	DE61-50238A	BRACKET-PLATE	SECC.T0.6	1	
79	DE64-20045A	HANDLE-BARBECUE	TEMPERED,SPRAY,BLK	2	▲
80	DE74-20107A	TRAY-BROILER	AL,T0.8,345,345,PI345,ENAMEL,S	1	▲
81	DE92-90009A	ASSY-SPIT RACK	CE124CF	1	
82	DE61-30141A	SUPPORTER-HEATER(B)	ALUMINA,5G,RE-650	1	
83	DE63-20019A	GASKET-HEATER	BRASS-WIRE	1	
84	DE93-20013C	ASSY BODY LATCH	RE-1280(SAW)	1	
85	DE60-60017A	PIN-WIRE	MSWR3,PI1.0	1	
86	DE61-50165A	BRACKET-HEATER	MICA-SHEET,T0.5,W35,L91.5	1	
87	3601-000438	FUSE-FERRULE	250V,15A,SB,CERAMIC,6.4X31.8MM	1	
88	DE73-90027A	FERRITE-CORE	NI-ZN,T13.8,W21.0,L28.0,BNF-14	1	

● : Option Parts

▲ : Warning

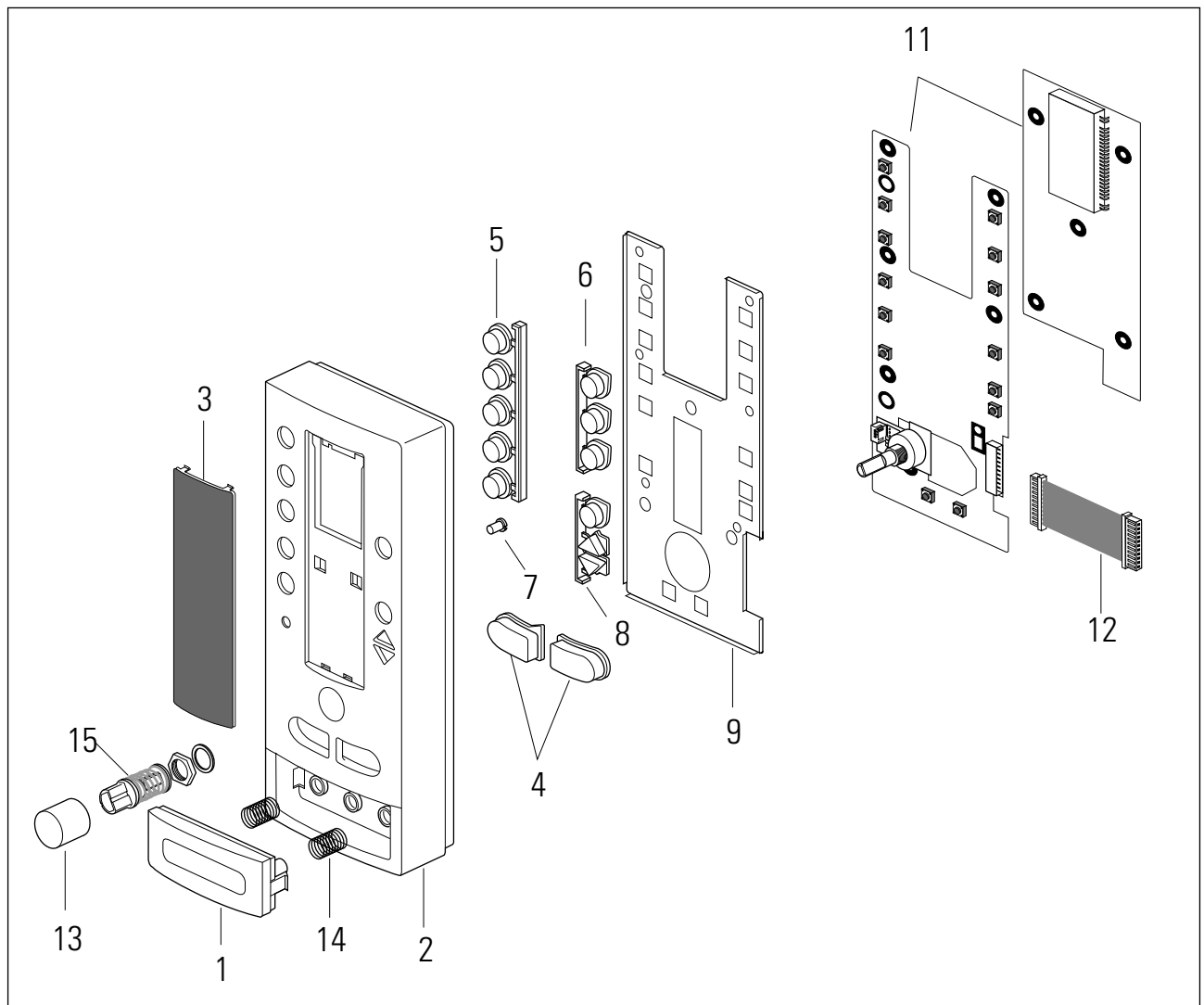
▲ :Electrostatically Sensitive Devices

7-3 Exploded View & Parts List - Door Parts



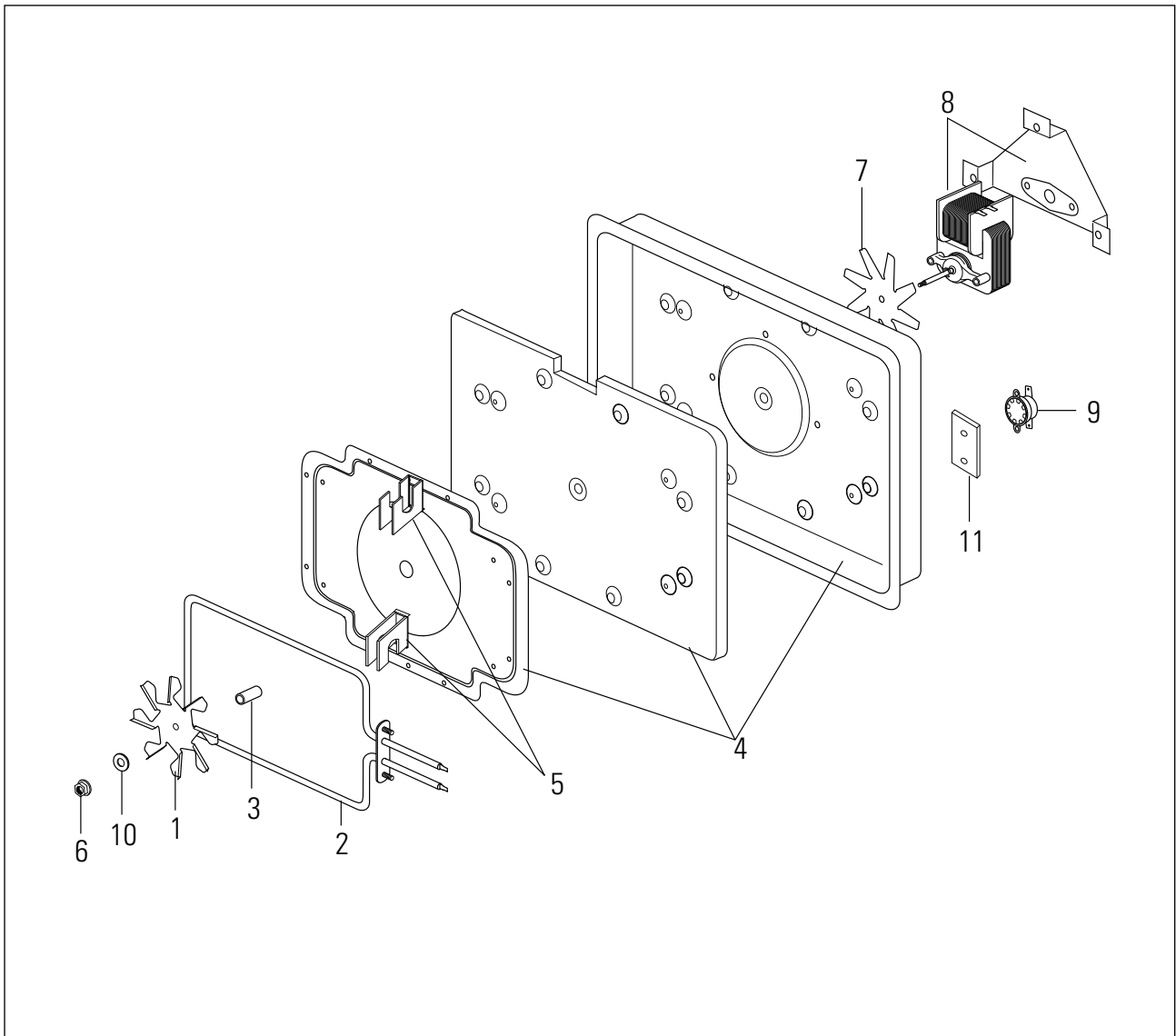
Ref. No.	Parts No.	Description	Specification	Q'ty	Remarks
1	DE64-40045A	DOOR-A	PC-LEXAN141,RP-WH-01-K,310G,RE	1	
2	DE67-20029E	SCREEN-DOOR(B)	TEMP,GLASS,T3.2XW313XL435,VITA	1	
3	DE92-50037A	ASSY DOOR-E	SILICON,BONDING	1	
4	DE64-40103A	DOOR-C	PBT-1500G,158G	1	
5	DE64-40124A	DOOR-KEY	NYLON#66-2411GF,5.1G	2	
6	DE92-90138A	ASSY-BRACKET SLIDER	RE-909CG	1	
7	DE61-70057B	SPRING-KEY	HSWR,PI1.2,D5.8,L47	1	
8	DE92-90052A	ASSY-HINGE-U	SBC1,T2.0	1	
9	DE73-90018A	FERRITE	DB-867CPE,T4.1,W7.0,L1310	1	
10	DE60-60021A	PIN-DOOR	MSWR,ZPC3	2	

7-4 Exploded View & Parts List - Control Parts



Ref. No.	Parts No.	Description	Specification	Q'ty	Remarks
1	DE66-20025A	BUTTON-PUSH	PC-LEXAN#141,RP-WH-01-K,19G,RE	1	
2	DE72-70051M	CONTROL-PANEL	PC(LEXAN#141),RP-WH-01-K,230G	1	
3	DE67-40027H	WINDOW-DISPLAY	ACRYL,SMOG,40G,AMFO	1	
4	DE66-20041A	BUTTON-CANCEL	PC-LEXAN#141,RP-WH-01-K,6G,RE	2	
5	DE66-20026A	BUTTON-SELECT-L	PC-LEXAN#141,RP-WH-01-K,16G	1	
6	DE66-20042A	BUTTON-SELECT-R	PC-LEXAN#141,RP-WH-01-K,10G	1	
7	DE66-20080A	BUTTON-CLOCK	PC-LEXAN#141,RP-WH-01-K,1G,RE	1	
8	DE66-20024A	BUTTON-MORE	PC-LEXAN#141,RP-WH-01-K,7G,RE	1	
9	DE61-50072A	BRACKET-PANEL	SECC,T0.8,W107,L286.35	1	
12	DE39-30091A	WIRE LEAD-PCB(B)	L60,RE-1280(SAW),AMFO	1	
13	DE64-10038C	KNOB-VOLUME	PC(LEXAN#141),WHT,5G,CIRCLE,PR	1	
14	DE61-70076A	SPRING-BUTTON	HSWR,PI0.6	2	
15	DE34-20030A	SWITCH-VOLUME	4M17736	1	
16	DE93-30066M	ASSY CONTROL-BOX	CE124CF(SAW),AMFO	1	

7-5 Exploded View & Parts List - Casing Parts



Ref. No.	Parts No.	Description	Specification	Q'ty	Remarks
1	DE31-90020A	BLADE-FAN	ALSTAR,T0.6,W250,L250	1	BL-FAN/HEATER
2	DE47-70028B	HEATER-CONVECTION	D8,230V6.1A,1400W,RE-1280	1	
3	DE72-30014A	BUSH-GEAR MOTOR	SWRM3,ID5,OD7,ZPC3	1	
4	DE92-90212C	ASSY-HEATER COVER	RE-1280,NEW,SYSTEM,VI	1	
5	DE61-50192A	BRACKET-HEATER-B	STS430,T0.8,W28.5,L65.4,RE-128	2	
6	DE60-30016B	NUT-FLANGE	M4,MSWR10,FEFN	3	
7	DE31-90019A	BLADE-FAN	SECC,T0.6	1	
8	DE91-50031A	ASSY-CONV.MOTOR	AMM90-004AUEA,230V0.33A	1	
9	DE47-20044A	THERMOSTAT	PW-2N,150/60,BKT23.8MM	1	
10	DE60-40026A	WASHER-PLAIN	ID5.5,OD12,T1.0,SBC1	1	
11	DE62-10014A	INSULATION-TCO	T2.0,W34,L26,YEL	1	
12	DE92-90079G	ASSY-CASING	RE-1270/1280,230V,NEW,SYSTEM,V	1	

7-6 Parts List - Standard Parts

Parts No.	Description	Specification	Q'ty	Remarks
DE60-10012A	SCREW-TAP TITE	TH,+,3,M4,L10,SWR10,ZPC2,TOOTH	1	H.V.D
DE60-10012A	SCREW-TAP TITE	TH,+,3,M4,L10,SWR10,ZPC2,TOOTH	1	N/FILT
DE60-10013A	SCREW-ASSY TAP	TH,2S,4,L12,MSWR3,ZPC3,FIBER	6	BASE-P
DE60-10016A	SCREW-ASSY MACHINE	TH,4,L10,STS43	1	SENSOR
DE60-10032A	SCREW-TH	TH,+,M4,L8,STS304	2	BAR-HL
DE60-10045A	SCREW-TAP PH	PH,M3,L6,FEFZY	2	TCO-MG
DE60-10052A	SCREW-TAP PH	PH,M4,L8,FEFZY	1	B/U-HI
DE60-10052A	SCREW-TAP PH	PH,M4,L8,FEFZY	1	FR-PAN
DE60-10052A	SCREW-TAP PH	PH,M4,L8,FEFZY	2	TCO-GR
DE60-10053A	SCREW-TAP PH	PH,M4,L10,FEFZY	2	BAR-MO
DE60-10061A	SCREW-TAP TH	TH,M4,L8,STS	2	G/LAMP
DE60-10061A	SCREW-TAP TH	TH,M4,L8,STS	2	PL-CEI
DE60-10063A	SCREW-TAP TH	TH,M4,L12,FEFN	1	HI-LOW
DE60-10063A	SCREW-TAP TH	TH,M4,L12,FEFN	4	OUT-PN
DE60-10066A	SCREW-TAP TH	TH,M4,L8,FEFZY,2-SLOT	4	B/GE-M
DE60-10069A	SCREW-TAP TH	TH,M4,L10,FRFZY	1	A-C-AI
DE60-10069A	SCREW-TAP TH	TH,M4,L10,FRFZY	2	AIR-GU
DE60-10069A	SCREW-TAP TH	TH,M4,L10,FRFZY	2	B/HTR
DE60-10069A	SCREW-TAP TH	TH,M4,L10,FRFZY	2	B/LAMP
DE60-10069A	SCREW-TAP TH	TH,M4,L10,FRFZY	2	C/AD-L
DE60-10069A	SCREW-TAP TH	TH,M4,L10,FRFZY	2	C/AD-R
DE60-10069A	SCREW-TAP TH	TH,M4,L10,FRFZY	8	CASING
DE60-10069A	SCREW-TAP TH	TH,M4,L10,FRFZY	4	DAMPER
DE60-10080A	SCREW-WASHER	M5,L12,2S	4	HVT
DE60-10082H	SCREW-A	2S-4X12,TOOTHED	1	A-B-RE
DE60-10082H	SCREW-A	2S-4X12,TOOTHED	1	A-REST
DE60-10082H	SCREW-A	2S-4X12,TOOTHED	2	B-PLTE
DE60-10082H	SCREW-A	2S-4X12,TOOTHED	1	B/HVC
DE60-10082H	SCREW-A	2S-4X12,TOOTHED	2	B/U-HI
DE60-10082H	SCREW-A	2S-4X12,TOOTHED	11	BACK-P
DE60-10082H	SCREW-A	2S-4X12,TOOTHED	2	BD-LAT
DE60-10082H	SCREW-A	2S-4X12,TOOTHED	3	CON-BX
DE60-10082H	SCREW-A	2S-4X12,TOOTHED	1	MO-FAN
DE60-10082H	SCREW-A	2S-4X12,TOOTHED	5	OUT-PN
DE60-10082H	SCREW-A	2S-4X12,TOOTHED	2	SUP-MG
DE60-10082H	SCREW-A	2S-4X12,TOOTHED	1	W-H-A
DE60-20014A	BOLT-FLANGE	M5,L10,MSWR3,FEFZY	2	LOW-HI
DE60-20014A	BOLT-FLANGE	M5,L10,MSWR3,FEFZY	2	UPP-HI
DE60-30015A	NUT-FLANGE	M5,P0.8,MSWR10,FEFZY	4	MGT
DE60-30016A	NUT-FLANGE	M4,MSWR10	2	BR-HAN
DE60-30016A	NUT-FLANGE	M4,MSWR10	2	GRIL-H
DE60-30016A	NUT-FLANGE	M4,MSWR10	1	SENSOR
DE60-10045A	SCREW-TAP PH	PH,M3,L6,FEFZY	2	-
DE60-10066A	SCREW-TAP TH	TH,M4,L8,FEFZY,2-SLOT	3	-
DE60-10122A	SCREW-TAP TH	TAP,TH,2-4X8,FE,FN	2	-
DE60-10047A	SCREW-TAP PH	PH,M3,L16,FEFZY	2	-
DE60-10052A	SCREW-TAP PH	PH,M4,L8,FEFZY	2	-
DE60-10069A	SCREW-TAP TH	TH,M4,L10,FRFZY	3	-
DE60-10012A	SCREW-TAP TITE	TH,+,3,M4,L10,SWR10,ZPC2,TOOTH	1	P/EART
DE60-10069A	SCREW-TAP TH	TH,M4,L10,FRFZY	2	-
DE60-10072A	SCREW-TAP TH	TH,M4,L16,FEFZY,2-SLOT	4	FOOT
DE60-10082H	SCREW-A	2S-4X12,TOOTHED	2	COV/B
DE60-10088A	SCREW-TAP PH	PH,M3,L8,FEFZY,PLAIN	14	-