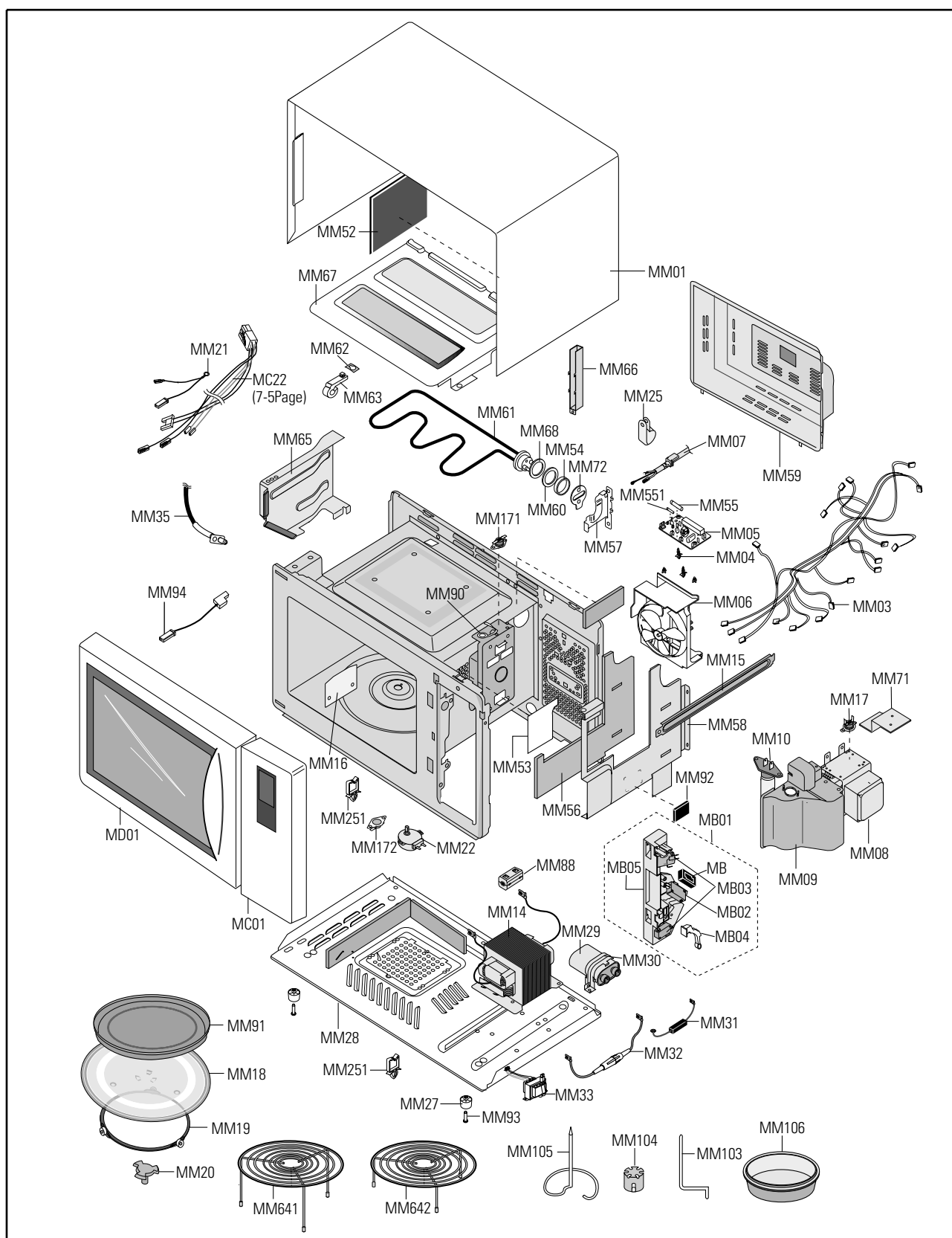


## 7. Exploded Views and Parts List

### 7-1 Exploded Views



**7-2 Main Parts List**

CE117KBS/XEF

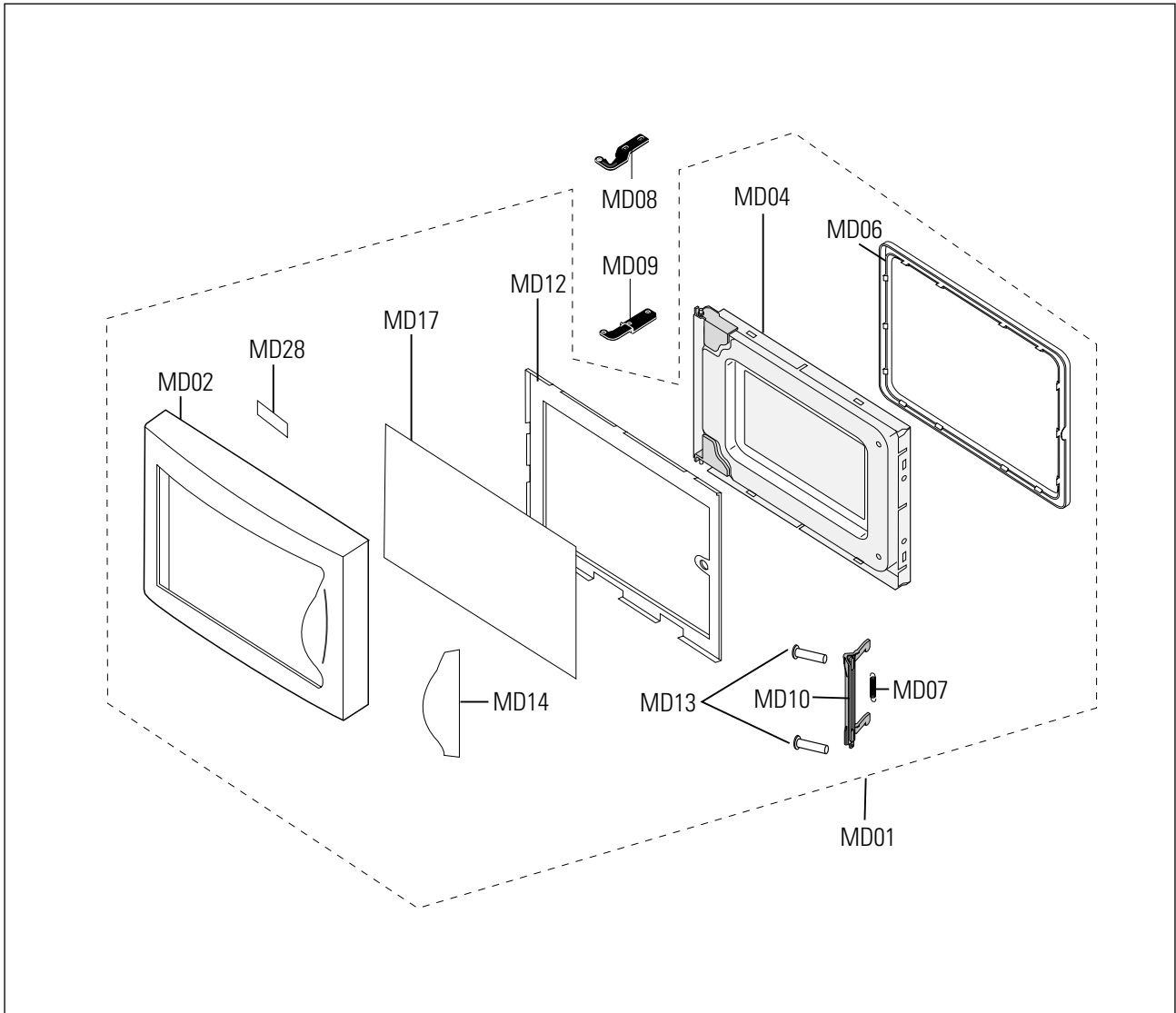
No.	Code No.	Description	Specification	Q'ty	Remark
MB01	DE93-20020A	ASSY BODY LATCH	RE-43B/90B,-,-,-,-	1	-
MB02	3405-000175	SWITCH-MICRO	250V,15A,200gf,SPST-NO	1	-
MB03	3405-000178	SWITCH-MICRO	250V,15A,200gf,SPST-NO	2	-
MB04	DE66-90054A	LEVER-SWITCH	POM(F20-02),15G,NTR,RE-330,-,-	1	-
MB05	DE66-40021A	LATCH-BODY	POM(F20-02),50G,RE-330,-,-,-	1	-
MM01	DE70-30120K	PANEL-OUTER	-,-,-,-, SILVER, COATING, CE119KFS/XEF	1	-
MM03	DE39-40606A	WIRE HARNESS-A	230V50HZ, CE105K/CE115K, EUROPE,	1	-
MM04	DE61-30129A	SUPPORTER-PCB	DASS-T9N,-,-,-,-,-,-	2	C-PCB
MM05	DE91-40042A	ASSY NOISE FILTER	DNA-1019C,250V,10A,CMO-CERAMIC	1	-
MM06	DE31-10080A	ASSY-MOTOR FAN	AMM92-002AUEE,230V0.20A,MIN255	1	-
MM07	DE39-20058B	ASSY POWER CORD	KKP-4819D/B232,1.5MM,250V16A,L	1	-
MM08	OM75P(31)ESS	ASSY-MAGNETRON:OM75P		1	-
MM09	DE71-60394A	COVER-AIR	NYLON#66,95G,CE115K,BLK,-,-,-,-	1	-
MM10	4713-001046	LAMP-INCANDESCENT	240V,104mA,25W,ORG,-,-,-,25x62mm	1	.
MM103	DE67-60074A	COUPLER-BARBECUE	PTFE,29G,WHT,CE104CF,-,-,-,-	1	-
MM104	DE72-80062A	SHAFT-BARBECUE	STS304,D3,L149,W60.25,CE97,-,-,-	6	-
MM105	DE74-40001A	SPIT-BARBECUE	MSWR,CE945G,SNC2,-,-,-,-,-	1	-
MM106	DE74-20022A	TRAY-OIL	GLASS(NEOREX),T5,PI210,600G,-,-	1	-
MM14	DE26-10100D	TRANS-H.V	SHV-945EG1-2,230V,2300V/3.25V,	1	-
MM15	DE61-30132A	SUPPORTER-MGT	SECC,T0.6,W38,L342.5,MW6630T,-	1	-
MM16	DE71-60313A	COVER-CEILING	MICA,SHEET,T0.5,W48.5,L117,RE-	1	-
MM172	DE47-20005A	THERMOSTAT	PW-2N(130/60)187Y30,250V7.5A,1	1	CV-TCO
MM171	DE47-20050A	THERMOSTAT	PW-2N,130/60,-,-,-,-,-,-	1	GR-TCO
MM17	DE47-20007A	THERMOSTAT	PW-2N(160/60)187Z,250V7.5A,160	1	-
MM18	DE74-20016A	TRAY-COOKING	GLASS,T5.0,PI345,1250G,M551T,-	1	-
MM19	DE92-90189C	ASSY-GUIDE ROLLER	D22.5,RE-1300,-,-,-,-,-	1	-
MM20	DE67-60028A	COUPLER	PTFE,23G,WHT,RE-1300,-,-,-,-	1	-
MM21	DE39-40409A	WIRE HARNESS-E	230V50HZ,M9G45,CTW,-,-,-,-	1	-
MM22	DE31-10170A	MOTOR-SYNCHRONOUS	M2LJ24Z702,ST-16F,220/240V,2.5	1	-
MM25	DE65-20014A	CABLE CLAMP	DA-6N,NY-66,-,-,-,-,-,-	1	P-CORD
MM251	DE65-20025A	CABLE CLAMP	DAWS-2NB,NYLON66,NTR,WIRE,SADD	2	-
MM27	DE61-40026A	FOOT	PP-JI350,BLK,-,-,-,-,-	4	-
MM28	DE80-10115A	BASE-PLATE	SGCC1-Z,T0.8,W544,L345.5,CE115	1	-
MM29	2501-001019	C-OIL	1.10uF,2100V,BK,35X54X90,20mm	1	-
MM30	DE61-50106A	BRACKET-HVC	SECC,T0.8,W31,L125.8,-,-,-,-	1	-
MM31	DE59-00002A	DIODE-H.V	ESJC13-12B,12KV,-,-,-,-,MWO ALL,-	1	-
MM32	DE91-70061A	ASSY-H.V.FUSE	THV060T-0800-H,5KV/0.80A,WHT	1	-
MM33	DE26-20152A	TRANS-L.V	SLV-105E,230V,50HZ,AC17V/3V,-,-	1	-
MM35	DE32-10013A	SENSOR-THERMISTOR	PT-312-K2,-,-,-,-,-,-	1	-
MM52	DE63-90035L	CUSHION-RUBBER	-,-,T3,W100,L190,-,-,MW5896W,BLK	1	PN-OUT
MM53	DE01-00051A	FILM-LAMP	T0.25,W105,L85,CLEAR,RE-1300,-	1	-
MM54	DE60-90006A	FLANGE-RING	C3604BD,ID22.1,OD26,L4.7,MBGF4	1	-
MM551	3601-000448	FUSE-CARTRIDGE	250V,10A,SLOW-BLOW,CERAMIC,6.35x3	1	-
MM55	3601-001126	FUSE-CARTRIDGE	250V,1.6A,FAST-ACTING,CERAMIC,5x20	1	-
MM56	DE62-90046A	ADIABATIC-RIGHT	T3,W219.3,L214.8,RE-1300,-,-,-,-	1	-
MM57	DE61-50027B	BRACKET-HEATER	SECC,T1.0,W51,L55,CE945GF,-,-,-	1	-
MM58	DE71-60294A	COVER-ADIABATIC	SECC,T0.6,W249.7,L353.5,RE-130	1	-
MM59	DE71-60386A	COVER-BACK	SCP3,T0.6,W275,L385.5,BLK-COAT	1	-
MM60	DE63-20017A	GASKET-HEATER	BRASS,T1.5,OD30.5,ID22.5,-,-,-,-	1	-
MM61	DE47-70031B	HEATER-GRILL	D6.8,230V,1400W,37.0OHM,RE-130	1	-
MM62	DE61-70060A	SPRING-PLATE	SK-5,T0.5,-,-,-,-,-,-	1	-
MM63	DE61-30185A	SUPPORTER-HEATER	ALUMINA,T12,NTR,-,-,-,-,-	1	-

## 7-2 Main Parts List

CE117KBS/XEF

No.	Code No.	Description	Specification	Q'ty	Remark
MM641	DE97-00136A	ASSY-WIRE RACK	CK95,-,-,-,-,-,-	1	-
MM642	DE97-00136B	ASSY-WIRE RACK	CK95,LOW-RACK,-,-,-,-,-	1	-
MM65	DE72-60035Q	GUIDE-AIR	SECC,(T)0.6,(W)240,(L)242.5,RE	1	-
MM66	DE61-50528A	BRACKET-AIR GUIDE	ALCOAT,T0.8,W19,L190.5,CE115K,	1	-
MM67	DE61-50073D	BRACKET-UPPER	ALSTAR,T0.6,W273,L432,MB6544W,	1	-
MM68	DE60-40009B	WASHER-TEFLON	SLOT,ID22.2,OD28,T1.2,TEFLON,-	1	-
MM71	DE61-50490A	BRACKET-TCO	SECC1,T0.6,34,58,-,-,-,-	1	-
MM72	DE61-50347A	BRACKET-EARTH	BSS2-A,T1.0,W35,L43,MBGF45,-,-	1	-
MM88	DE73-90027A	FERRITE-CORE	NI-ZN,T13.8,W21.0,L28.0,BNF-14	1	-
MM90	DE65-20012A	CORD CLAMP	DALC-2-1,SILICON,-,-,-,-,-,-	1	TEMP-W
MM91	DE74-20025C	TRAY-CONVECTION	SPP,T0.8,W12,L325.9,CE104CF,-,	1	-
MM92	DE63-90062A	CUSHION-RUBBER DOOR	RUBBER(CR),T9,W30,L50,RE-1300,	1	-
MM93	DE60-60025A	PIN-FOOT	PP-JI350,BLK,-,-,-,-,-,-	4	-
MM94	DE39-30153A	WIRE LEAD-TCO	230V,1333#,RED,L140,CE115K	1	-

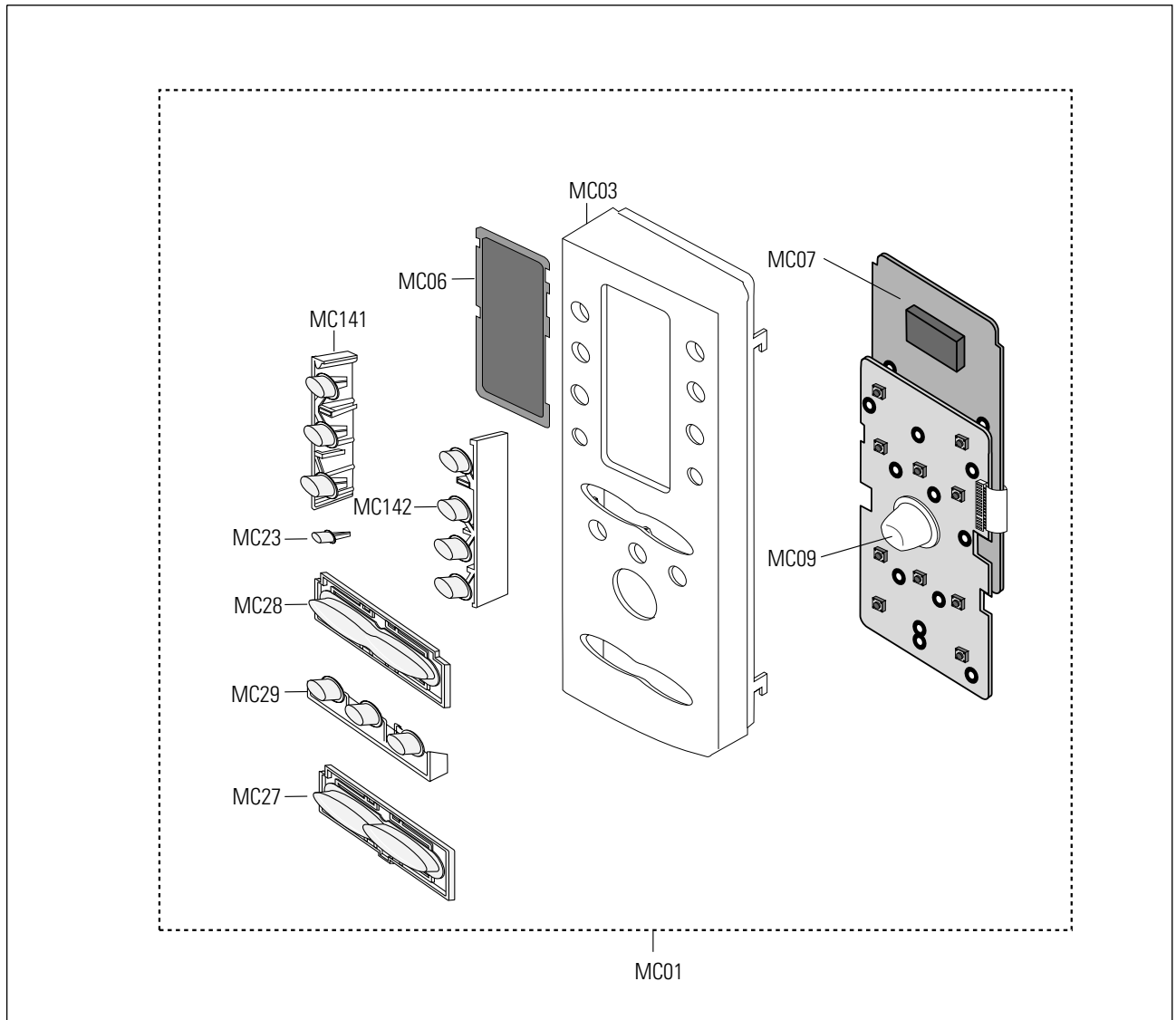
### 7-3 Exploded View & Parts List - Door Parts



CE117KBS/XEF

No.	Code No.	Description	Specification	Q'ty	Remark
MD01	DE94-00044A	ASSY DOOR	CE119KFS/XEF,SILVER,COATING,-,-,-,-	1	-
MD02	DE64-40279D	DOOR-A	PC,-,-,-,-,CE119KFS/XEF,-	1	-
MD04	DE92-50080E	ASSY DOOR-E	MBG45,COATING,SIL/SELANT,-,-,-	1	-
MD06	DE64-40173A	DOOR-C	PBT,BLK,24G,RE-1300,-,-,-	1	-
MD07	DE61-70041B	SPRING-KEY	ES,HSW3,PI0.7,D4.9,BLUNG,RE-7	1	-
MD08	DE61-80037C	HINGE-UPPER	SCP1,T3.0,W26,L76,ZP2C-W,MB245	1	-
MD09	DE61-80006B	HINGE-LOWER	ZP2W,T3.0,ZN(PLATING),RE-552,-	1	-
MD10	DE64-40175A	DOOR-KEY	POM(TC3005),BLK,13G,RE-330,-,-	1	-
MD12	DE64-40286A	DOOR-SUB	PC,T2.0,W267.6,L402.6,100G,BLK	1	-
MD13	DE60-60008A	PIN-HINGE	PI4,L17,MSWR10,M301TBC,-,-,-,-	2	-
MD14	DE64-20117C	HANDLE-DOOR	PC,-,-,-,-,SIL,COATING,CE119KFS/XEF,-	1	-
MD17	DE67-20163F	SCREEN-DOOR(B)	TEMP GLASS,T2.8,-,-,-,CE119KFS/XEF,-	1	-
MD28	DE02-00082A	TAPE-DOUBLE FACE	PET,T0.4,W9,WHT,SEIL,SI-500HI,	1	-

## 7-4 Exploded View & Parts List - Control Parts

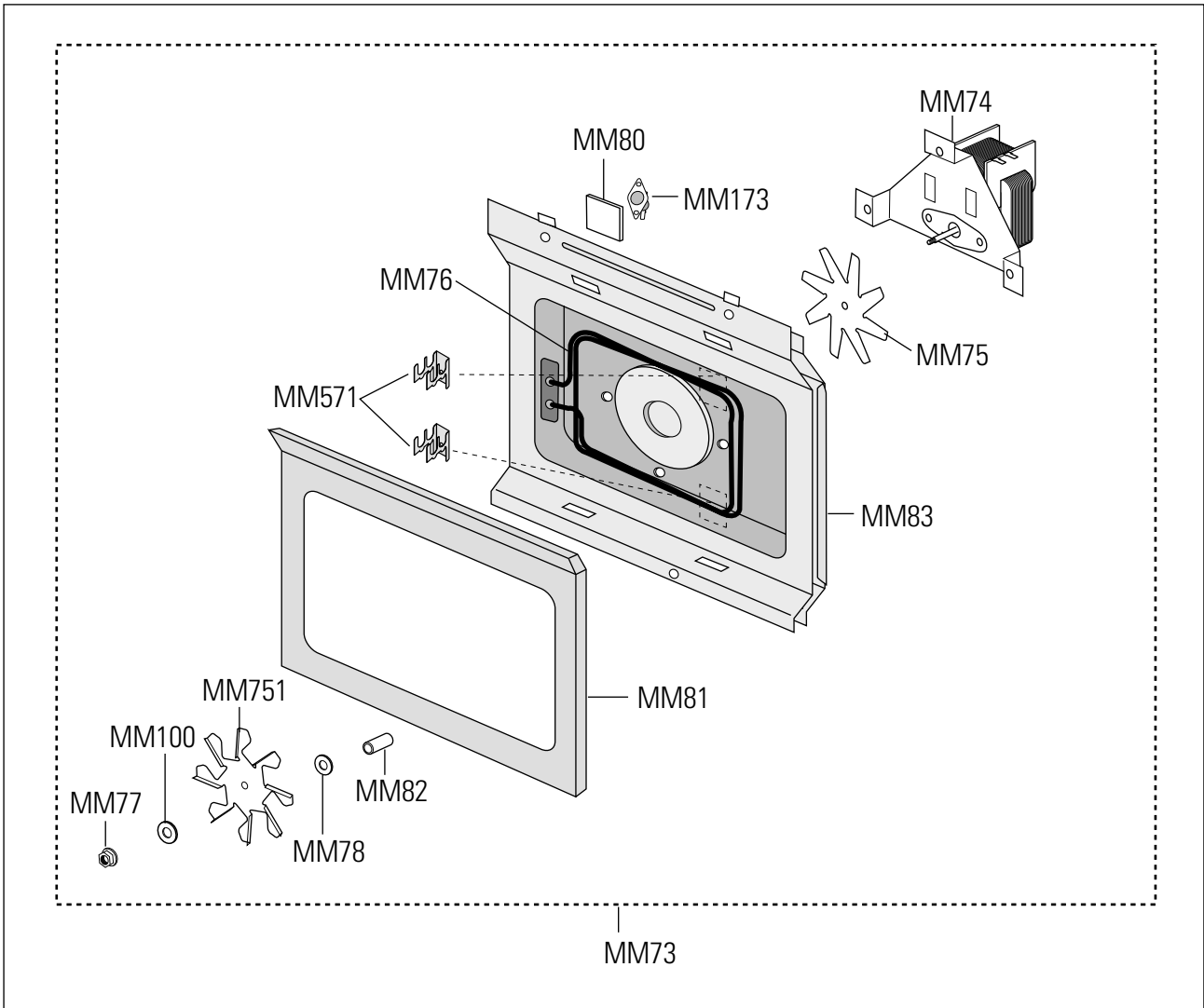


CE117KBS/XEF

No.	Code No.	Description	Specification	Q'ty	Remark
MC01	-	ASSY CONTROL-BOX	-,CE117KBS/XEF,SILVER,-	1	S.N.A
MC03	DE72-00097C	CONTROL-PANEL	PC,CE117KBS/XEF,-,-,-,SILVER,-	1	-
MC06	DE67-40150B	WINDOW-DISPLAY	ACRYL,SMG,30G,CE115K(SKW),-,-,	1	-
MC07	RC-115K-01	ASSY PCB PARTS	CE115K,AC230V50HZ	1	-
MC09	DE64-10132D	KNOB	PC,-,SIL,COATING,-,CE119KFS/XEF,-,-,-	1	-
MC141	DE66-20192C	BUTTON-SELECT(A)	PC,-,-,SILVER,CE119KFS/XEF,-	1	-
MC142	DE66-20196C	BUTTON-SELECT(B)	PC,-,-,SILVER,CE119KFS/XEF,-	1	-
MC22	DE39-40637A	WIRE HARNESS-B	230V50HZ,CE115K,-,-,-,-	1	7-1page
MC23	DE66-20195C	BUTTON-CLOCK	PC,-,-,SILVER,CE119KFS/XEF,-	1	-
MC27	DE66-20193D	BUTTON-CANCEL	PC,-,-,SILVER,CE119KFS/XEF,-	1	-
MC28	DE66-20194C	BUTTON-DEFROST	PC,-,-,SILVER,CE119KFS/XEF,-	1	-
MC29	DE66-20191C	BUTTON-MORE	PC,-,-,SIL,CE119KFS/XEF,-	1	-

S.N.A : SERVICE NOT ASSEMBLY

### 7-5 Exploded View & Parts List - Casing Parts



CE117KBS/XEF

No.	Code No.	Description	Specification	Q'ty	Remark
MM73	-	ASSY-CASING	CE115K/CE105K,230V50HZ,-,-,-,-	1	S.N.A
MM74	DE31-10171A	MOTOR-CONVECTION	SMC-105EA,230V/50HZ,2800RPM,-,	1	-
MM75	DE31-90019A	BLADE-FAN	SECC,T0.6,-,-,-,-,-	1	-
MM751	DE31-90020A	BLADE-FAN	ALSTAR,T0.6,W250,L250,-,-,-	1	-
MM76	DE47-70077A	HEATER-CONVECTION	230V,1680W,30.7,7,-,-,-,-,-	1	-
MM77	DE60-30016B	NUT-FLANGE	M4,MSWR10,FEFN,-,-,-,-,-	3	-
MM78	DE60-40026B	WASHER-PLAIN	ID5.5,OD12,T1.0,SBC1,ZNC3,-,-,-	1	-
MM80	DE62-10014A	INSULATION-TCO	T2.0,W34,L26,YEL,-,-,-	1	-
MM81	DE62-90098A	ADIABATIC-CASING	T5,W245,L336.8,CE115K,-,-,-,-	1	-
MM82	DE72-30016A	BUSH-MOTOR	MSWR3,D5.6,L11.2,RE-1300,ZPC3,	1	-
MM83	DE92-90487A	ASSY-COVER CASING	CE115K,230V50HZ,-,-,-,-	1	-
MM100	DE60-40014B	WASHER-C MOTOR	M16,T1.0,SECC,ZNC3,-	1	-
MM173	DE47-20029A	THERMOSTAT	PW-2N(160/60,Y,23.8),250V/7.5A	1	CO-TCO
MM571	DE61-50484A	BRACKET-HEATER	STS430,T0.8,W27.2,L26,CE115K,-	2	-

S.N.A : SERVICE NOT ASSEMBLY

## 7-6 Parts List - Standard Parts

CE117KBS/XEF

Code No.	Description	Specification	Q'ty	Remark
DE60-30016A	NUT-FLANGE	M4,MSWR10,-,-,-,-,-,-,-	1	SENSOR
DE60-10012A	SCREW-TAP TITE	TH,+3,M4,L10,SWR10,ZPC2,TOOTH	1	CH-PCB
DE60-10012A	SCREW-TAP TITE	TH,+3,M4,L10,SWR10,ZPC2,TOOTH	1	P-C-EA
DE60-10012A	SCREW-TAP TITE	TH,+3,M4,L10,SWR10,ZPC2,TOOTH	1	PCB-EA
DE60-10013A	SCREW-ASSY TAP	TH,2S,4,L12,MSWR3,ZPC3,FIBER,-	1	CB-CMP
DE60-10018A	SCREW-ASSY MACHINE	PH,M4X0.7P,8,MSWR10,SN1,WS,-,-	2	B/EART
DE60-10034A	SCREW-TH	TH,+M4,L10,STS304,-,-,-,-,-	1	SENSOR
DE60-10046A	SCREW-TAP PH	PH,M3,L8,FEFZY,-,-,-,-,-,-	2	MGTCO
DE60-10052A	SCREW-TAP PH	PH,M4,L8,FEFZY,-,-,-,-,-,-	1	B/HING
DE60-10080A	SCREW-WASHER	M5,L12,2S,-,-,-,-,-,-,-	4	HVT
DE60-10080A	SCREW-WASHER	M5,L12,2S,-,-,-,-,-,-,-	4	MGT
DE60-10082H	SCREW-A	2S-4X12,TOOTHED,-,-,-,-,-,-,-	4	A/CSIG
DE60-10082H	SCREW-A	2S-4X12,TOOTHED,-,-,-,-,-,-,-	1	B/AI-G
DE60-10082H	SCREW-A	2S-4X12,TOOTHED,-,-,-,-,-,-,-	2	B/LATH
DE60-10082H	SCREW-A	2S-4X12,TOOTHED,-,-,-,-,-,-,-	1	B/WAVE
DE60-10082H	SCREW-A	2S-4X12,TOOTHED,-,-,-,-,-,-,-	6	BASE-P
DE60-10082H	SCREW-A	2S-4X12,TOOTHED,-,-,-,-,-,-,-	1	BKT/U
DE60-10082H	SCREW-A	2S-4X12,TOOTHED,-,-,-,-,-,-,-	1	CN-BOX
DE60-10082H	SCREW-A	2S-4X12,TOOTHED,-,-,-,-,-,-,-	2	CV-AIR
DE60-10082H	SCREW-A	2S-4X12,TOOTHED,-,-,-,-,-,-,-	2	CV-BAK
DE60-10082H	SCREW-A	2S-4X12,TOOTHED,-,-,-,-,-,-,-	2	CV-MOT
DE60-10082H	SCREW-A	2S-4X12,TOOTHED,-,-,-,-,-,-,-	3	CV/ADI
DE60-10082H	SCREW-A	2S-4X12,TOOTHED,-,-,-,-,-,-,-	2	GR-TCO
DE60-10082H	SCREW-A	2S-4X12,TOOTHED,-,-,-,-,-,-,-	2	GU-AIR
DE60-10082H	SCREW-A	2S-4X12,TOOTHED,-,-,-,-,-,-,-	3	PN-OUT
DE60-10082H	SCREW-A	2S-4X12,TOOTHED,-,-,-,-,-,-,-	1	SU/MGT
DE60-10088A	SCREW-TAP PH	PH,M3,L8,FEFZY,PLAIN,-,-,-,-,-	1	-
DE60-10098A	SCREW-ASSY TAP TITE	PH,TC,M4X8,SWRCH18A,ZPC2,GLD,W	2	CV-TCO
DE60-10098A	SCREW-ASSY TAP TITE	PH,TC,M4X8,SWRCH18A,ZPC2,GLD,W	2	M/DRIV
DE60-10122A	SCREW-TAP TH	TAP,TH,2-4X8,FE,FN,-,-,-,-,-	2	B/HEAT
DE60-10122A	SCREW-TAP TH	TAP,TH,2-4X8,FE,FN,-,-,-,-,-	2	C-CEIL
DE60-20014A	BOLT-FLANGE	M5,L10,MSWR3,FEFZY,-,-,-,-,-	4	HINGE
DE60-10045A	SCREW-TAP PH	PH,M3,L6,FEFZY,-,-,-,-,-,-	1	-
DE60-10059A	SCREW-TAP TH	TH,M4,L8,SUS410,CR,-,-,-,-,-	4	B/MORT
DE60-10061A	SCREW-TAP TH	TH,M4,L8,STS,-,-,-,-,-,-	3	B/MORT
DE60-10122A	SCREW-TAP TH	TAP,TH,2-4X8,FE,FN,-,-,-,-,-	2	-
DE60-10122A	SCREW-TAP TH	TAP,TH,2-4X8,FE,FN,-,-,-,-,-	4	CV-CAS
DE60-10082H	SCREW-A	2S-4X12,TOOTHED,-,-,-,-,-,-,-	2	LVT
DE60-10012A	SCREW-TAP TITE	TH,+3,M4,L10,SWR10,ZPC2,TOOTH	1	-
DE60-10088A	SCREW-TAP PH	PH,M3,L8,FEFZY,PLAIN,-,-,-,-,-	1	-